

**minkaAire™** Napoli™  
Model No. F705



# Instruction Manual

**Please Read and Save Instructions**





Congratulations on your purchase of a **Minka-Aire™** ceiling fan! Your new fan will be a beautiful addition to your home, and will keep you comfortable throughout the year.

**Minka-Aire™** offers a variety of ceiling fans: combinations of wood and brass finishes, solid designer colors, and unique glass and crystal designs. A large selection of light fixtures and light kits are also available. Ask your dealer about accessories that will allow you to customize your fan.

We're certain that your **Minka-Aire™** fan will provide you with many years of comfort, energy savings and satisfaction. To ensure your personal safety and to maximize the performance of your fan, please read this manual thoroughly.

## LIMITED LIFETIME WARRANTY

**Minka-Aire™** warrants this fan to be free from defects in material and workmanship for one year from the date of purchase, except for the motor. **Minka-Aire™** warrants to the original owner that the motor in this fan shall be free from defects in material and workmanship as long as the original purchaser owns the fan. **Minka-Aire's™** only obligation under this limited warranty is to replace, repair or refund the purchase price of any fan confirmed by **Minka-Aire™** to be defective in material or workmanship after such fan is returned to **Minka-Aire™** by the original purchaser along with a proof of purchase and with shipping charges prepaid. This warranty shall not apply to fans which have been damaged as a result of improper installation, removed from the original installation or subjected to use for which the fan was not designed. The customer shall be responsible for any cost of removing the old fan, installing a new fan or any other costs. This limited lifetime warranty is in lieu of all other expressed warranties. **Minka-Aire™** shall under no circumstances be liable for any incidental or consequential damages.

Date Purchased \_\_\_\_\_

Store Purchased \_\_\_\_\_

Model No. F705 \_\_\_\_\_

Serial No. \_\_\_\_\_

## CONTENTS

SAFETY RULES .....	1
PACKAGE CONTENTS .....	2
BEGIN INSTALLATION .....	3
HANGING THE FAN .....	4
ELECTRICAL CONNECTIONS .....	5
INSTALLING THE WALL TRANSMITTER.....	6
FINISHING THE INSTALLATION .....	7
ATTACHING THE BLADES.....	8
INSTALLING THE LIGHT KIT & GLASS SHADE .....	9
OPERATING THE REMOTE CONTROL / WALL CONTROL.....	10
CARE OF YOUR FAN .....	11
TROUBLESHOOTING .....	12
SPECIFICATIONS .....	13



1151W. Bradford Court, Corona CA 92882  
© and Patents 1998, All Rights Reserved



# 1. SAFETY RULES

**1.** Before you begin installing the fan, **shut power off** at the circuit breaker of the fuse box.

**2.** Be cautious! Read all instructions and safety information before installing your new fan. Review accompanying assembly diagrams.

**3.** Make sure that all electrical connections comply with local codes, ordinances, or National Electrical Codes.

Hire a qualified electrician or consult a do-it-yourself wiring handbook if you are unfamiliar with installing electrical wiring.

**4.** Make sure the installation site you choose allows the fan blades to rotate without any obstructions. Allow a minimum clearance of 7 feet from the floor and 18 inches from the tip of the blades to the wall.

**5. NOTE:** THIS CEILING FAN EXCEEDS THE MAXIMUM WEIGHT SPECIFIED BY UL FOR HANGING FROM A STANDARD OUTLET BOX. SPECIAL REINFORCEMENT OF THE CEILING IS REQUIRED FOR INSTALLATION.

**6. CAUTION:** Use the wood screws provided for fan installation. The wood screws must go through the outlet box via the knock outs and secured directly to the building joist.

**7.** After you install the fan, make sure that all mounting components are secured to prevent the fan from falling.

**8.** Do not insert anything into the fan blades while the fan is operating.

**9.** Turn the fan off and wait for the blades to stop completely before changing the fan direction.

**NOTE:** The important safeguards and instructions appearing in this manual are not meant to cover all possible conditions and situations that may occur. It must be understood that common sense, caution and care are factors which can not be built into this product. These factors must be supplied by the person (s) installing, caring for and operating the unit.

## WARNING

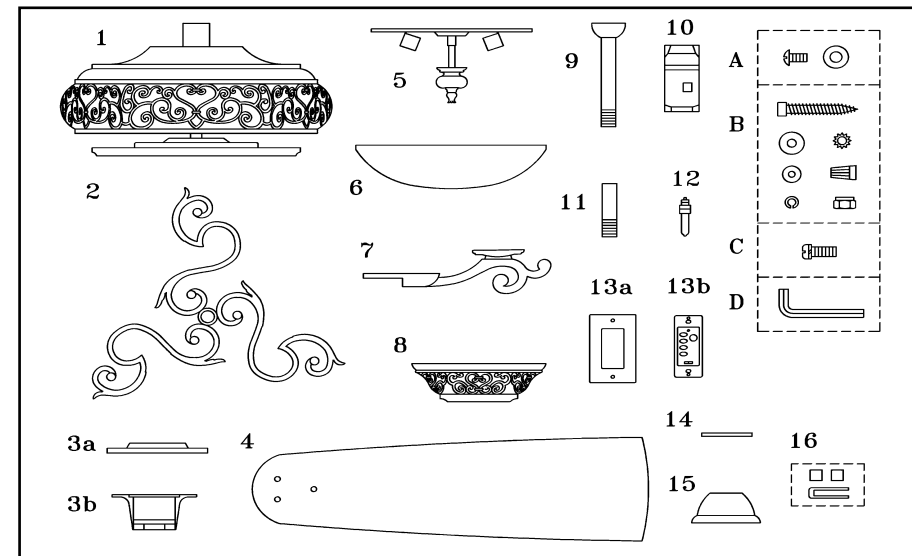
TO REDUCE THE RISK OF FIRE, ELECTRIC SHOCK OR OTHER PERSONAL INJURY, MOUNT FAN DIRECTLY TO THE BUILDING JOIST USING THE WOOD SCREWS AND WASHERS PROVIDED WITH THE FAN. THE WOOD SCREWS MUST GO THROUGH THE OUTLET BOX VIA THE KNOCK OUTS.

CONSULT A QUALIFIED ELECTRICIAN IF IN DOUBT.

TO REDUCE THE RISK OF PERSONAL INJURY, DO NOT BEND THE BLADE HOLDERS WHILE INSTALLING, BALANCING THE BLADES OR CLEANING THE FAN. DO NOT INSERT FOREIGN OBJECTS BETWEEN ROTATING FAN BLADES.

TO REDUCE THE RISK OF FIRE OR ELECTRIC SHOCK, DO NOT USE THIS WITH ANY SOLID- STATE SPEED CONTROL DEVICE.

# PACKAGE CONTENTS 2.



1. Fan motor housing
2. Decorative scroll
- 3a. Hanger bracket plate
- 3b. Hanger bracket
4. Fan blade (5 pcs)
5. Light kit
6. Glass
7. Blade holder (5 pcs)
8. Canopy
9. Standard downrod ass'y
10. Receiver with 6 wire nuts
11. Minimum-length downrod (for close to ceiling mounting only)
12. Halogen bulb
- 13a. Wall plate (includes 2-6x8mm mounting screws)
- 13b. Wall control transmitter (includes 2 mounting screws)
14. Canopy cover
15. Coupling cover

16. Balancing kit

### A. Blade Attachment Hardware :

- 3/16x9mm screws (16 pcs)
- Fibre washers (16 pcs)

### B. Mounting Hardware :

- M6.5x89mm wood screws (3 pcs)
- Ø6.5x19mm Flat washers (3 pcs)
- Star washers (3 pcs)
- Wire nuts (3 pcs)
- Hex nuts (3 pcs)
- 3/16" spring washers (3 pcs)
- Ø5x14mm Flat washers (3 pcs)

### C. Blade Holder Hardware :

- 1/4x11mm screws (11 pcs)

### D. Allen Wrench (M4)

### 3. BEGIN INSTALLATION

Tools Required: Phillips screw driver; slotted screw driver; pliers; wire cutters; electrical tape.

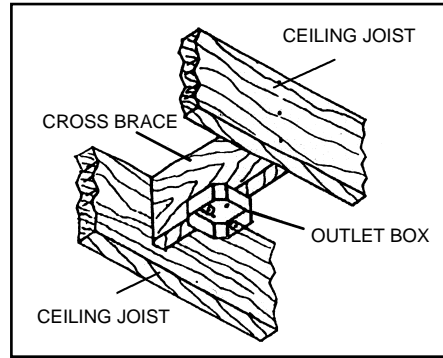


Fig.1

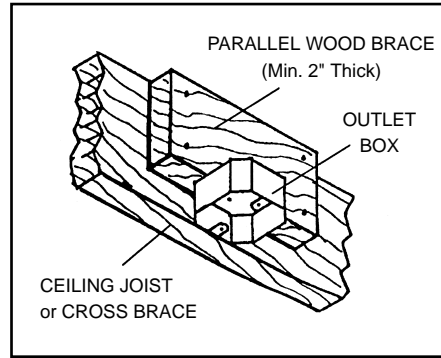


Fig.2

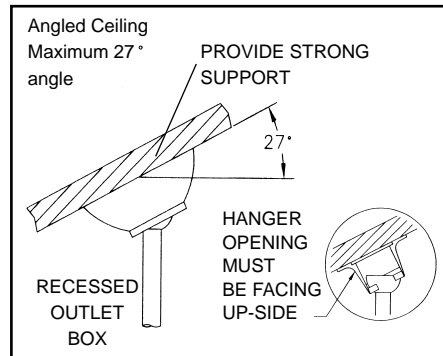


Fig.3

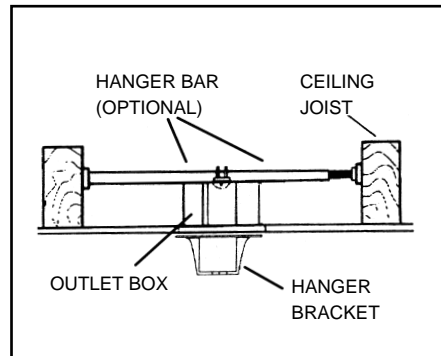


Fig.4

### MOUNTING OPTIONS

If there isn't an existing mounting box, then read the following instructions. **Shut the power off at the circuit breaker or fuse box.**

Secure the hanger bracket directly to building structure via the knock outs from the outlet box. The building joist and its supports must be able to fully support the moving weight of the fan (at least 50lbs)

Figures 1,2 and 3 are examples of different ways to mount the outlet box.

**Note:** You may need a longer downrod to maintain proper blade clearance when installing on a steep, sloped ceiling. Longer downrods are available from your **Minka-Aire™** dealer.

To hang your fan where there is an existing fixture but no ceiling joist, you may need to install a hanger bar as shown in Fig. 4 (available at your **Minka-Aire™** dealer).

### HANGING THE FAN 4.

**REMEMBER to turn off the power. Follow the steps below to hang your fan properly;**

**Step 1.** Remove two knock-outs from the outlet box to expose the joist. (Fig. 5)

**Step 2.** Use the two wood screws and washers to secure the hanger bracket plate directly to the building joist via the knock-out holes from the outlet box. (Fig. 6)

**CAUTION!** THE HANGER BRACKET PLATE MUST BE INSTALLED DIRECTLY TO THE BUILDING JOIST USING THE TWO WOOD SCREWS AND WASHERS PROVIDED.

**Step 3.** Secure hanger bracket to hanger bracket plate using the two hex nuts and washers provided, make sure nuts are securely tighten. (Fig. 7)

**Step 4.** Loosen the two Set Screws from the coupling. (Fig. 8)

**Step 5.** Remove the Hanger Ball from the Down Downrod Assembly by loosening the Set Screw and removing the Cross Pin. Remove the Hitch Pin and Lock Pin. (Fig. 9)

**Step 6.** Unfold the decorative scroll arms and space them evenly. Secure assembly by tightening the nut with the wrench provided. (Fig. 10)

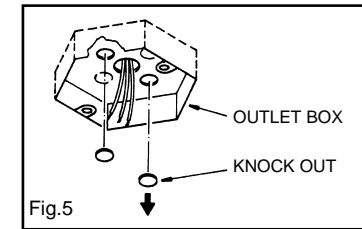


Fig.5

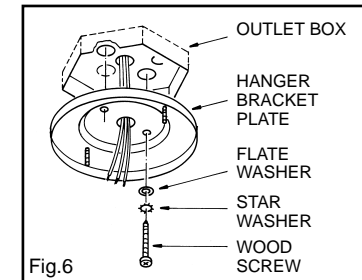


Fig.6

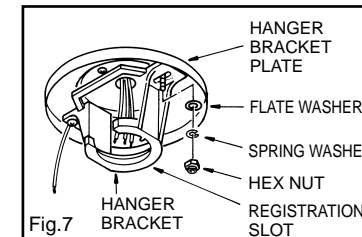


Fig.7

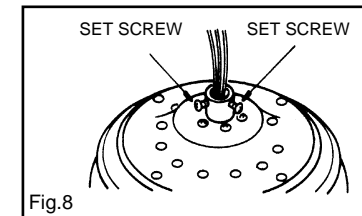


Fig.8

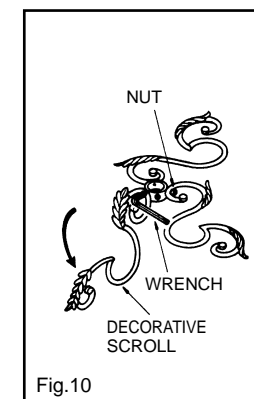


Fig.10

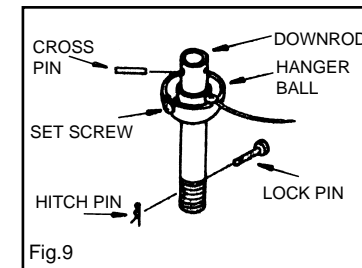
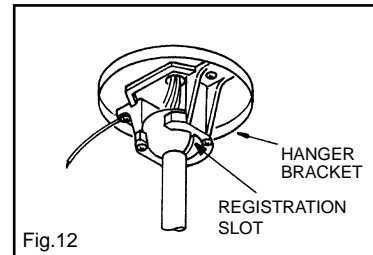
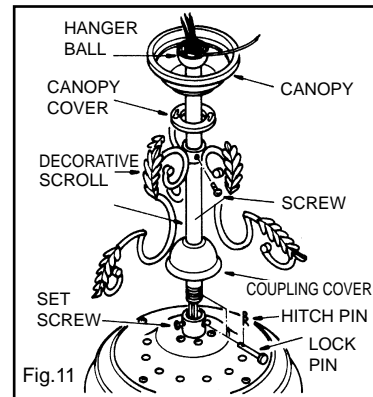


Fig.9

**Step 7.** Carefully feed fan wires up through the downrod. (Fig. 10) Thread Downrod into the Coupling until the holes are lined up and secure with the Lock Pin and Hitch Pin previously removed, tighten Set Screws. (Fig. 11)

**Step 8.** Slip Coupling Cover, Decorative scroll Canopy Cover and Canopy onto Downrod. Carefully re-install the Hanger Ball onto the Downrod being sure that it's properly positioned over the Cross Pin and the wires are not twisted, tighten Set Screw. (Fig. 11)

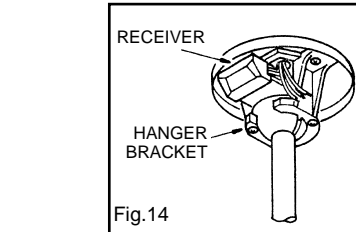
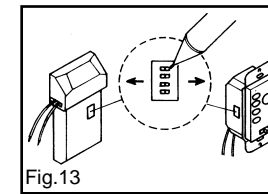
**Step 9.** Lift the Motor Assembly and place the Hanger Ball into the Hanger Bracket. Rotate the Motor Assembly as needed until the check groove from the Hanger Ball rests firmly over the registration tab from the Hanger Bracket. Motor Assembly should not rotate if this is done correctly. (Fig. 12)



## 5. ELECTRICAL CONNECTIONS

**WARNING:** To avoid possible electrical shock be sure electricity is turned off at the main fuse or breaker box before wiring.

**Note:** The Hand Held Remote or Wall Control units included with your ceiling fan are equipped with 16 code combinations to prevent possible interference from or to other remote units. The frequency switches on your Receiver and Transmitter units have been preset at the factory, please re-check to make sure the switches on both units are set to the same positions. The frequency settings should be changed only in case of interference or if a second or more remote controlled ceiling fans are installed in the same structure. Any code combination will operate the ceiling fan and light as long as the Receiver and Transmitter units are set to the same codes (Fig. 13)



**Step 1.** Insert Receiver into Hanger Bracket with the flat side of the Receiver facing the ceiling. (Fig. 14)

**Step 2.** Motor to Receiver Electrical Connections: Connect the WHITE wire from the fan to the WHITE wire marked "TO MOTOR N" from the Receiver. Connect the BLACK wire from the fan to the BLACK wire marked "TO MOTOR L" from the Receiver. Connect the BLUE wire from the fan to the BLUE wire marked "For Light" from the Receiver.

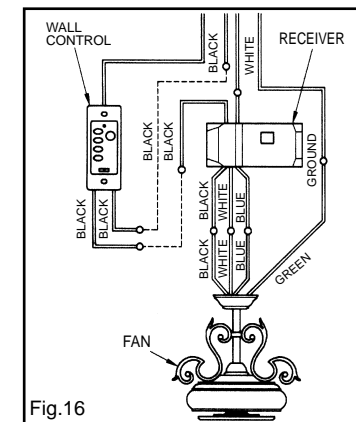
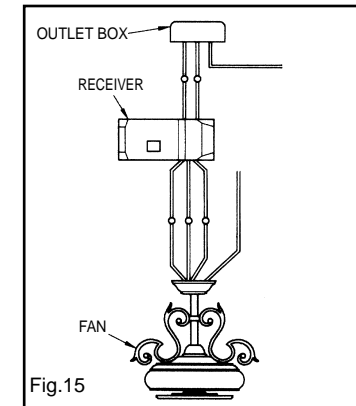
**Note:** If your ceiling fan features an UP Light: Connect the ORANGE wire from the fan to the ORANGE wire marked "For Up Light" from the Receiver. Otherwise disregard this step and proceed to secure all wire connections with the plastic wire nuts provided. (Fig. 15 & 16)

**Step 3.** Receiver to House Supply Wires Electrical Connections: Connect the WHITE wire (Neutral) from the outlet box to the WHITE wire marked "AC in N" from the receiver. Connect the BLACK wire (Hot) from the outlet box to the BLACK wire marked "AC in L" from the receiver. Secure all wire connections with the plastic wire nuts provided. (Fig. 15 & 16)

**Step 4.** If your outlet box has a GROUND wire (Green or Bare Copper) connect this wire to the Hanger Ball and Hanger Bracket Ground wires. If your outlet box does not have a Ground Wire, then connect the Hanger Ball and Hanger Bracket Ground Wires together. Secure wire connection with the plastic wire nut provided. (Fig. 15 & 16)

After all splices are made, check to make sure there are no loose strands. As an additional precaution we suggest to secure the plastic wire connectors to the wires with electrical tape.

Note: Fan must be installed from a maximum distance of 40 feet from the transmitting unit for proper signal transmission between the transmitting unit and the fan's receiving unit.



## INSTALLING THE WALL TRANSMITTER 6.

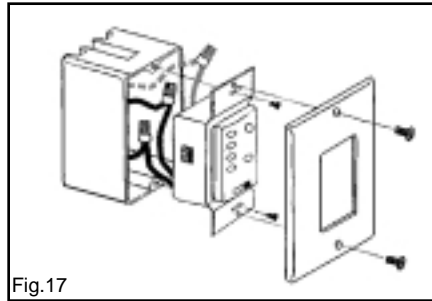
**WARNING! HOOK UP "IN SERIES" ONLY. DO NOT CONNECT NEUTRAL SUPPLY WIRE OF ELECTRIC CIRCUIT TO THE TRANSMITTER WALL SWITCH, DAMAGE TO THE TRANSMITTER WALL SWITCH AND POSSIBLE FIRE COULD OCCUR.**

**Step 1.** Remove the existing wall plate and switch from the wall outlet box.

**Step 2.** Make the electrical connections as shown in Fig.15. If your outlet box has a ground wire (Green or Bare Copper) connect the Transmitter's ground wire directly to one of the

screws from the outlet box. Secure all wire connections with the plastic wire nuts provided.

**Step 3.** Carefully tuck the wire connections inside the outlet box. Use the screws provided to secure the wall transmitter and wall plate to the outlet box. (Fig. 17)



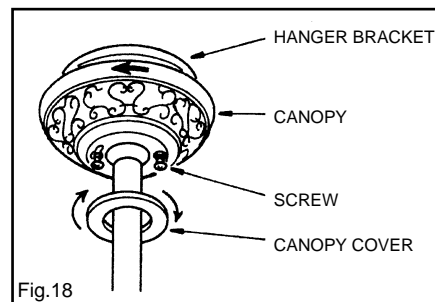
## FINISHING THE INSTALLATION 7.

Slide the Canopy up over the Hanger Bracket and place the keyholes from Canopy over the two screws from the Hanger Bracket. Rotate Canopy until it locks at the narrow section of the

keyholes. While holding the Canopy in place with one hand, slide the Canopy Cover over the screw heads and rotate until snug. (Fig. 17)

**NOTE:** Adjust screws as needed

until Canopy and Canopy Cover are snug. (Fig. 18)



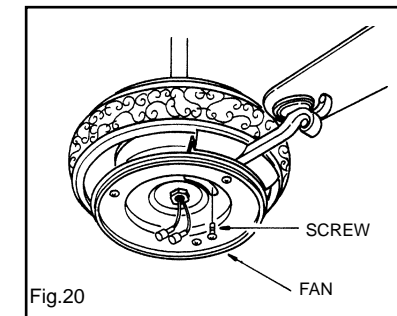
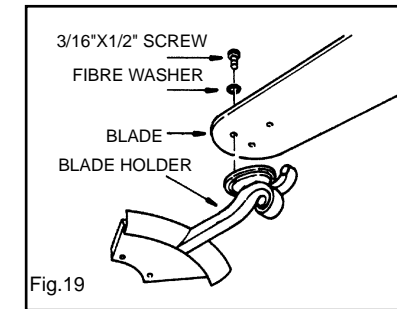
## 8. ATTACHING THE BLADES

**THE FOLLOWING OPERATION MUST BE ACCOMPLISHED BEFORE INSTALLING THE LIGHT KIT.**

**Step 1.** Attach the fan blades to the blade holders using the screws & washers provided. (Fig 19).

**Step 2.** Align holes from blade holder to motor and secure with 2 screws provided. (Fig 20).

All blade sets are grouped by weight. Because natural woods vary in density, the fan may wobble even though the blades are weight matched. The following procedure should correct most fan wobble. Check after each step.



## INSTALLING THE LIGHT KIT & GLASS SHADE 9.

**Warning:** Shut off the power supply before removing or replacing lamp. In handling of halogen bulb, care should be taken not to touch it with your bare hands. Oil residue will shorten the life of the halogen bulb. If you accidentally come into contact, wipe thoroughly with a clean, lint-free, cotton cloth. Allow the bulb to cool for 10 minutes before changing the bulb. Use light bulb in accordance with the fan's specifications. DO NOT EXCEED THE MAXIMUM WATTAGE RATING.

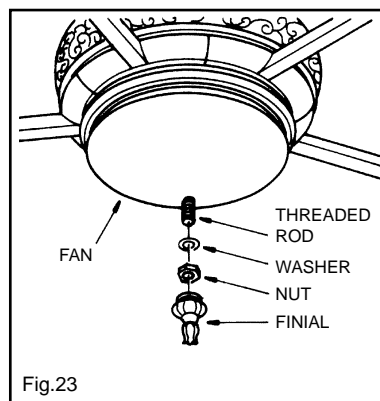
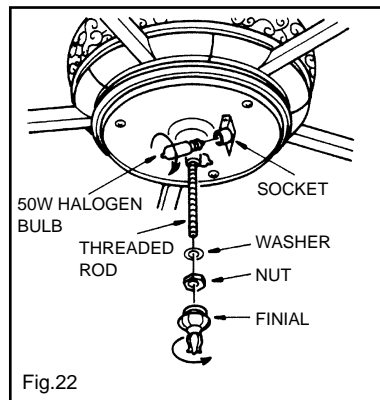
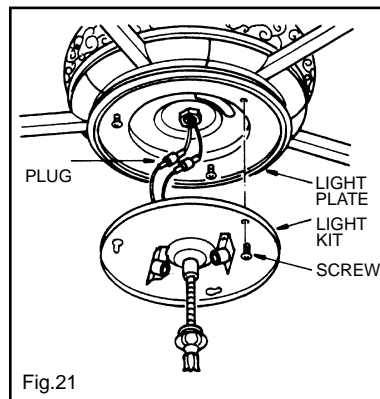
**Step 1.** Remove one of the three screws from the light plate and loosen the other two (do not remove). Plug the 2 wires from the fan to the two wires from the light kit. (Fig. 21)

**Step 2.** Place the light kit over the two screws previously loosened (use the two key-holes from the light kit) and turn until it locks into place. Install the 3rd screw previously removed and securely tighten all three screws. (Fig. 21)

**Step 3.** Install the 2-50w Mini-Can halogen bulbs (included). (Fig. 22)

**Step 4.** Remove the finial, nut and washer from the threaded rod. (Fig. 22)

**Step 5.** Install glass shade over the threaded rod and secure in place by replacing the washer, nut and finial previously removed. (Fig. 23)



## 10. OPERATING THE REMOTE CONTROL / WALL CONTROL

**Remote Control only:** Install a 9 volt battery (not included). To prevent damage to transmitter remove the battery if not used for long periods of time.

### Restore Power to Ceiling Fan.

**A. HI-MED-LOW Buttons:** These buttons are used to set the fan speeds as follows;

- HI = High Speed
- MED = Medium Speed
- LOW = Low Speed

**B. FAN OFF Button:** This button turns the fan off.

**C. The "LIGHT" button** turns the light ON or OFF and also controls the brightness setting. Press and release the button to turn the light ON or OFF. Press and hold the button to set the desired brightness. The light will cycle continuously between bright and dim setting as long as the button is held down. The light key has an auto-resume, it will stay at the same brightness as the last time it was turned off.

### D. OFF-ON Slide Button (Wall Control Fans Only)

This button turns the power Off and On to the Fan and Light(s).

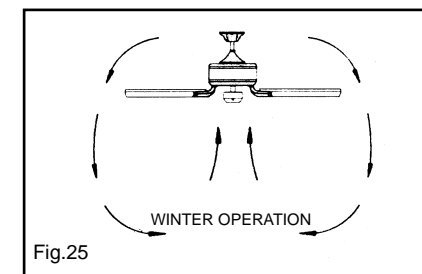
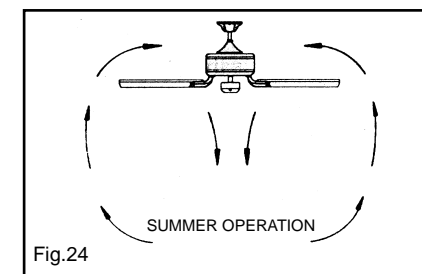
**E. REV Button:** (Full Function Remote Control Units Only)

This button is used to change the direction of the rotation of the blades; forward for warm weather or reverse for warm weather.

**NOTE:** If your Remote Control or Wall Control does not have a "REV" button, Please look for a slide reverse switch on the motor

housing.

Speed settings for warm or cold weather depend on factors such as room size, ceiling height and number of fans.



**NOTE:** to change the direction of the rotation of the blades the fan must be in operation mode.

### Warm Weather (forward)

A DOWNWARD airflow creates a cooling effect as shown in Figure 24. This allows you to set your air conditioner on a warmer setting without affecting your comfort.

### Cool Weather (Reverse)

An UPWARD airflow moves warmer air off the ceiling area as shown in Figure 25. This allows you to set your heating unit on a cooler setting without affecting your comfort.

## CARE OF YOUR FAN 11.

Here are some suggestions to help maintain your fan.

**1.** Because of the fan's natural movement some connections may become loose. Check the support connections, brackets and blade attachments twice a year. Make sure they are secure. (It is not necessary to remove fan from the ceiling).

**2.** Clean your fan periodically to help maintain its new appearance over the years. Use only a soft brush or lint free cloth to avoid scratching the finish. Plated finishes are sealed with lacquer to minimize discoloration or tarnishing. Do not use water when cleaning, this could damage the motor, wood blades or possibly cause an electrical shock.

**3.** If your fan is provided with wood veneer blades; you can apply a light coat of furniture polish for additional protection and enhanced beauty. Cover small scratches with a light application of shoe polish.

**4.** Use a lint free lightly damp cloth or duster to remove dust from the blades.

**5.** There is no need to oil your fan. The motor has permanently lubricated bearings.

**6.** If your fan is provided with glass shades, clean with lukewarm soapy water and a soft cloth or sponge. DO NOT IMMERSE GLASS SHADES IN HOT WATER. DO NOT PUT GLASS SHADES INTO AN AUTOMATIC DISHWASHER.

**WARNING!**  
Make sure the power is off at the electrical panel box before you attempt any repairs. Refer to the section, "Electrical Connections".

## 12. TROUBLESHOOTING

### Symptoms

#### Fan Will not Start

### Solution

1. Check to make sure the wall switch is turned on
2. Check circuit fuses or breakers
- Caution! Make sure the power is turned off before performing the following steps;**
3. Remove canopy and check wire connections
4. If using a remote controlled fan; Check to see that the deep switches from transmitter and receiver are set to the same frequency code.
5. Check wall control transmitter connections (if applicable)

Note: Fan must be installed from a maximum distance of 40 feet from the transmitting unit for proper signal transmission between the transmitting unit and the fan's receiving unit.

#### Fans/Light Turn On

1. This is caused by interference, change the code frequency from and Off Unexpectedly the transmitter and receiver. Any code combination will operate the fan or light (remote controlled fans only).

#### Fan Sounds Noisy

1. Allow a 24-hour "break in" period. Most noises associated with a new fan will go away during this time..
2. Make sure all blade attachment screws are tight.
3. Make sure Outlet box is secured to building structure, if necessary use the wood screws provided to further secure outlet box to joist.
4. Make sure Hanger Bracket is secure to the outlet box, screws are tight.

#### Fan Wobble

- NOTE: All blade sets are grouped by weight. Because wood and plastic blades vary in density, the fan may wobble even though blades are matched.
1. Make sure all blade attachment screws are tight.
  2. Make sure Outlet box is secured to building structure, if necessary use the wood screws provided to further secure outlet box to joist.
  3. Make sure Hanger Bracket is secure to the outlet box, screws are tight.
  4. Use the balancing kit provided if the wobble is excessive (follow instructions included with balancing kit)

## 13. SPECIFICATIONS

Fan Size	Speed	Volts	Amp	Watts	RPM	CFM	N.W.	G.W.	C.F.
56"	Low	120	0.374	22.60	65	2500			
	Med	120	0.527	46.20	95	4200	38.15Lbs.	45.33Lbs.	5.66'
	High	120	0.668	77.00	130	5900			

These are typical readings and they do not include Amps and Wattage used by the light (s).



For any additional information about your Minka-Aire™ Ceiling Fan, please write to:



1151 W. Bradford Court  
Corona, CA 92882

For customer assistance call: 1-800-307-3267