

**BDW65S/W**  
**60 cm Freestanding**  
**electronic dishwasher**

**INSTRUCTION MANUAL**



USER MANUAL FOR YOUR BAUMATIC

# BDW65S/W

## 60cm Freestanding Electronic Dishwasher



***NOTE: This User Instruction Manual contains important information, including safety & installation points, which will enable you to get the most out of your appliance. Please keep it in a safe place so that it is easily available for future reference; for you or any person not familiar with the operation of the appliance.***

GS 19/07/11

*Dear Customer,*

Congratulations on purchasing your new product from Think Appliances.

To register your parts and labour warranty (some conditions apply please refer to your warranty card for more details) please contact our Customer Care team on:

**1800 444 357**

Our Customer Care centre is there to ensure you get the most out of your appliance. For example, should you want to learn more about recommended cooking temperatures, the various cooking functions available, how to set and program your LED clock, and importantly taking care of your appliance when cleaning, please call us because we are here to help you.

It is important that you read through the following use and care manual thoroughly to familiarize yourself with the installation and operation requirements of your appliance to ensure optimum performance.

We also carry a complete range of spare parts for all Think products. For all your spare parts enquiries please contact our team at Pronto Parts on:

**1300 306 973**

Again, thank you for choosing an appliance brought to you by Think Appliances and we look forward to being of service to you.

Kind regards

*Management*

Think Appliances


# Contents

<b>Environmental note</b>	5
<b>Important safety information</b>	6 – 8
<b>Specifications</b>	9 - 12
Product dimensions	9
Product specifications	9 - 10
Energy efficiency details	10
Electrical details	10
Description of the appliance	11
Control panel	11
Display icons	12
<b>Using your dishwasher</b>	13 -27
Before first use	13
Filling with rinse aid	13
Setting the rinse aid level	14
Filling with dishwasher detergent	14 -15
Concentrated detergent	15
Detergent tablets	15
Loading the upper basket	16
Adjusting the upper basket	17
Folding back the cup shelves	18
Loading the lower basket	18 -19
The cutlery basket	19 -20
Loading dishes and cutlery	20 -21
<b>Program table</b>	21 -22
Setting a wash program	23
Changing a wash program	23 -24
At the end of a wash program	24
Setting a delay start	25
The Alt function	26
The safety lock	26 -27
<b>Saving energy using your dishwasher</b>	27
<b>Cleaning and maintenance</b>	28 -30
The filter system	28
Cleaning the filters	29
Cleaning the spray arms	29
Cleaning the control panel	30
Cleaning the door	30
Cleaning the seals	30
Long periods of not in use	30
<b>Error code failure system</b>	31 –32
General troubleshooting	32 –34
<b>Installation</b>	35 -39
Positioning and leveling the appliance	35 -36
Connecting to the mains water supply	36
Connecting to the water outlet	37
Connecting to the power supply	37 -38
Before first use	38
<b>Contact details</b>	39 -40

## ENVIRONMENTAL NOTE

***Note: Before discarding an old appliance, switch off and disconnect it from the power supply. Cut off and render any plug useless. Cut the cable off directly behind the appliance to prevent misuse. This should be undertaken by a competent person. Disable the door lock to make sure that children cannot get stuck inside the appliance.***

**This appliance is marked according to the European directive 2002/96/EC on Waste electrical and Electronic Equipment (WEEE). By ensuring this product is disposed of correctly, you will help prevent potential negative consequences for the environment and human health, which could otherwise be caused by inappropriate waste handling of this product.**

The symbol  on the product, or on the documents accompanying the product, indicates that this appliance may not be treated as household waste. Instead it shall be handed over to the applicable collection point for the recycling of electrical and electronic equipment.

**Disposal must be carried out in accordance with local environmental regulations for waste disposal.**

**For more detailed information about treatment, recovery and recycling of this product, please contact your local city office, your household waste disposal service or the shop where you purchased the product.**



- The packaging materials that Baumatic uses are environmentally friendly and can be recycled.
- Please discard all packaging material with due regard for the environment.

## IMPORTANT SAFETY INFORMATION



Your safety is of the utmost importance to Baumatic. Please make sure that you read this instruction booklet **before** attempting to install or use the appliance. If you are unsure of any of the information contained in this booklet, please contact the Retailer where you purchased your unit from.

### General Safety

- Repairs to your appliance must only be carried out by a Baumatic engineer or one of its authorised service agents. Any attempt by an inexperienced person to repair the appliance, could result in injury or damage to your dishwasher.
- If you notice that the mains cable is damaged. **The appliance must not be used.** The same applies if you notice that the worktop, control panel or base area is damaged. As this could allow access to the internal components of the machine.
- The appliance should be turned off and isolated from the mains supply, before either cleaning or maintenance work is attempted.
- The mains cable must not be used to pull the plug out of the electrical socket.
- The machine should not be sprayed with water.
- The external surface of the appliance may become hot whilst your dishwasher is in use.
- It is possible for small animals to chew either mains cables or water hoses, which could cause an electric shock hazard.

### Installation

- The installation instructions contained within this user manual should be followed.
- It is obligatory for the completed installation to comply with all relevant building regulations and local water authority requirements.
- **Before the first use of the appliance, you should follow the steps listed in the "Before first use" section on page 13 and page 38 of this manual.**

- Care should be taken not to trap the power supply cable underneath the appliance whilst installing it.
- No attempt should be made to alter or modify the specifications of this appliance.

### **In daily use**

- This appliance is only designed to wash normal domestic washloads. If you use your dishwasher in any other way or it is incorrectly used, then Baumatic accepts no liability for any damage that might be caused and any guarantee will be void.
- It is recommended that the appliance is unplugged and the water supply is turned off after the machine is used.
- The detergents, rinse aid and salt that you place in this appliance should be suitable for automatic dishwashers. With regards to dosage levels, the detergent manufacturer's recommendations should be followed.
- Sharp knives or ones with long blades are a potential safety hazard when placed in an upright position in the cutlery basket. We would recommend that these items are placed horizontally in the upper basket.
- ***You should not*** wash any items that have come into contact with corrosive, acidic or alkaline chemicals, paint, petrol, iron or steel debris.
- ***You should not*** open the door whilst the appliance is set on a wash program. Depending on which stage that the wash program is at, hot water could escape the machine.
- ***You should not*** leave the door of the appliance open, unless you are loading or unloading the dishwasher.
- ***You should not*** stand or sit on the door when it is open.

## Child Safety

- Your dishwasher should only be used by adults. You should not allow children in the area of the machine unsupervised. You should not let them touch the controls or play with the appliance.
- It could be possible for a child or pet to gain access to the dishwasher if the door is left open. Therefore please check the inside of the appliance before setting it on a wash cycle.
- Any packaging that is removed from the machine should be kept away from children.
- All detergents should be kept out of children's reach in a safe place.
- Some water will remain inside the dishwasher when it has completed a wash cycle. This water is not suitable for drinking and may contain residues from the detergents that are used in the appliance.

## Declaration of conformity

This appliance complies with the following European Directives:

-73/23 dated 19/02/1973 Low Voltage Directive and subsequent modifications.

-89/336 dated 03/05/1989 Electromagnetic Compatibility Directive and subsequent modifications.

For future reference please record the following information which can be found on the rating plate and the date of purchase which can be found on your sales invoice. The rating plate of your dishwasher is located on the right hand side of the drop down door.

**Model Number** .....

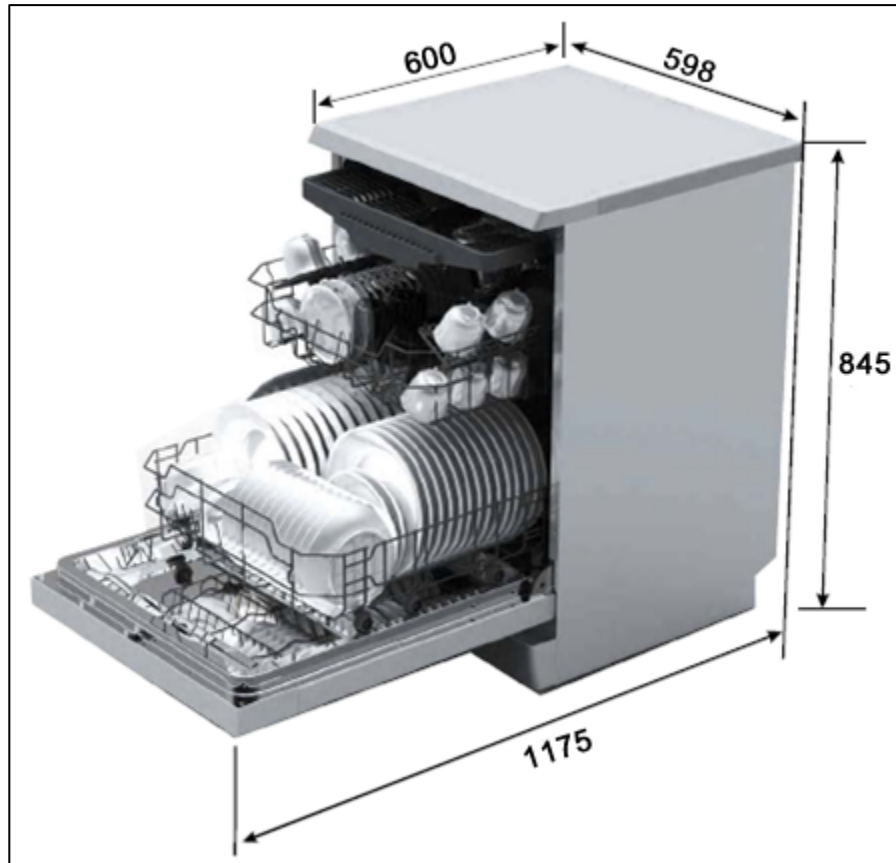
**Serial Number** .....

**Date of Purchase** .....



# Specifications

## Product dimensions



Height: 845 mm  
Width: 598 mm  
Depth: 600 mm (1175 mm with door open)

## Product specifications

- **14 Place settings**
- **7 programs:** Normal  
Intensive  
Heavy  
Glass  
Rapid  
Soak  
1 hour
- **4 temperatures:** 40°C, 50°C, 60°C, 65°C
- Water consumption (normal program): 13 litres/cycle
- Quiet operation (49 dB)

- LED display
- Delay start
- Residual drying
- Alternative wash function
- Concealed heating element
- Self-cleaning stainless steel micro-filter
- Anti-leak device
- Anti-flood device
- Height adjustable upper basket
- Collapsible plate racks

### **Energy efficiency details**

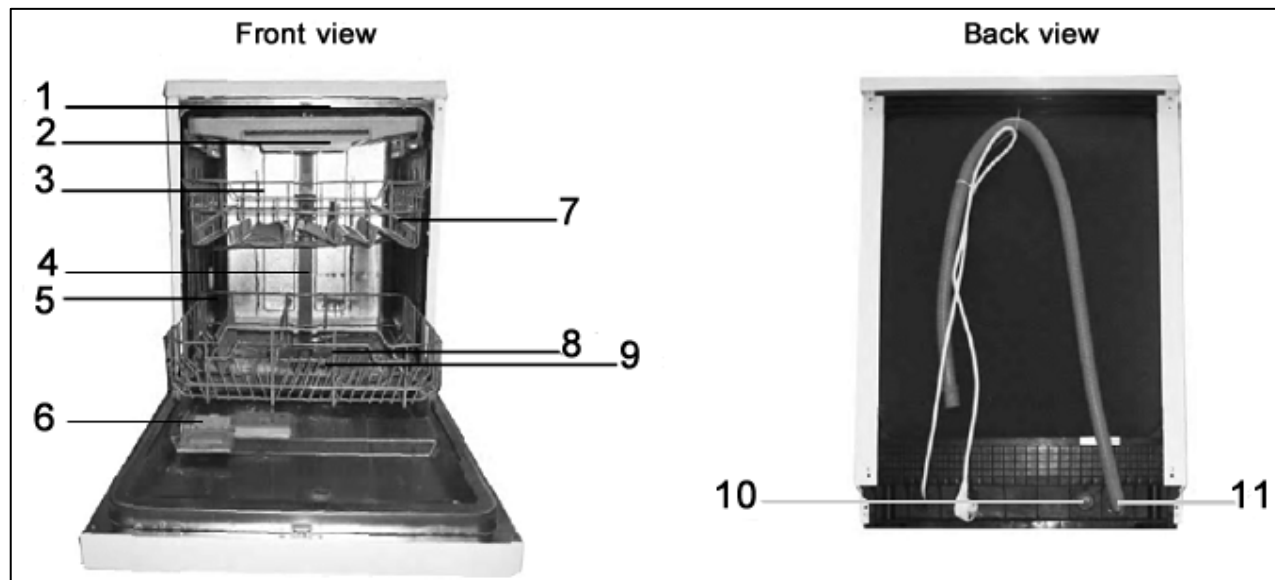
Water consumption: 3.5 stars  
Energy consumption: 4 stars

### **Electrical details**

**Rated voltage:** 220 - 240 Vac 50 Hz

**Supply connection:** 13 A (double pole switched fused outlet with 3 mm contact gap)

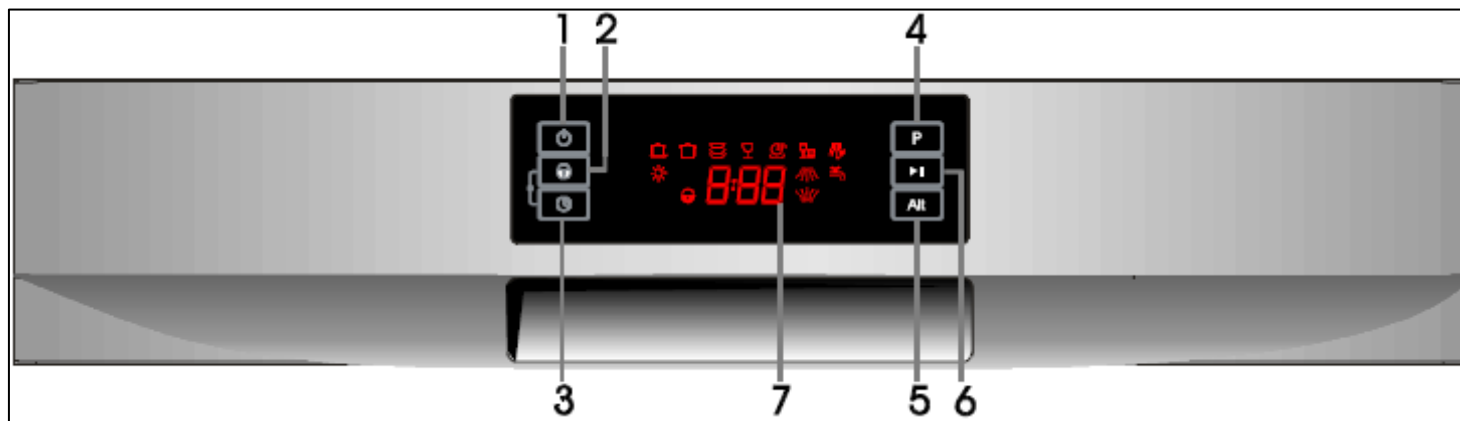
## Description of the appliance



- 1) Upper spray arm
- 2) Cutlery basket
- 3) Upper basket
- 4) Internal pipe
- 5) Lower basket
- 6) Detergent dispenser

- 7) Cup shelf
- 8) Lower spray arm
- 9) Filter assembly
- 10) Inlet pipe connector
- 11) Drain pipe

## Control panel



- 1) ON/OFF button
- 2) Safety lock button
- 3) Delay start button
- 4) Program button
- 5) Alt button
- 6) Start/Pause button
- 7) LED display

## Display icons

- The LED display contains numerous icons which light for different usages. For a description of each icon please see the list below.



INTENSIVE program icon



HEAVY program icon



NORMAL program icon



GLASS program icon



1 HOUR program icon



RAPID program icon



SOAK program icon



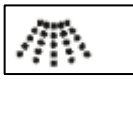
Rinse aid indicator



Safety lock icon



Water tap icon



Alt function icons

## Using your dishwasher

### Before first use

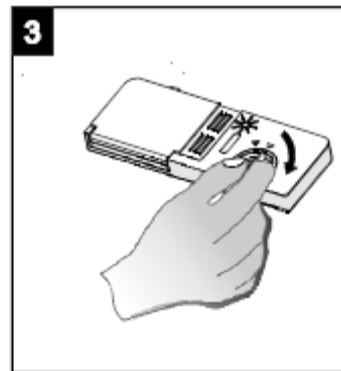
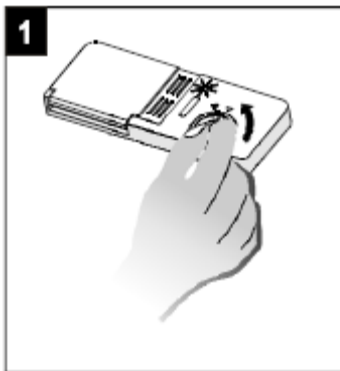
- Locate the appliance as per the installation instructions contained within this booklet.
- Fill the rinse aid dispenser and then set the rinse aid dosage.

### Filling with rinse aid



*The rinse aid is released during the final rinse and it helps to prevent water from forming droplets on your dishes. These droplets will lead to spots and streaks being left on items after the wash program has completed.*

- Your dishwasher is designed to utilise liquid rinse aid.
- The rinse aid dispenser is located inside the drop down door, next to the detergent dispenser.
- To access the rinse aid dispenser, you should turn the cap anticlockwise and it will pop out of the hole. Then slowly pour in liquid rinse aid, the rinse aid dispenser will hold approximately 110 ml of rinse aid.



- Be careful not to overfill the dispenser, as this could cause oversudsing when a wash program is selected. Wipe away any rinse aid excess or spillages with a damp cloth.
- Replace the cap and turn it clockwise until it locks into position.

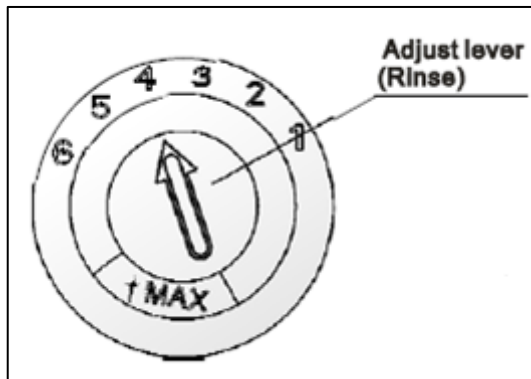


- You should refill the rinse aid dispenser when the rinse aid indicator lights on the control panel.

○ **IMPORTANT:** *If you are using 3 in 1 dishwasher tablets then you should still fill the rinse aid dispenser.*

## Setting the rinse aid level

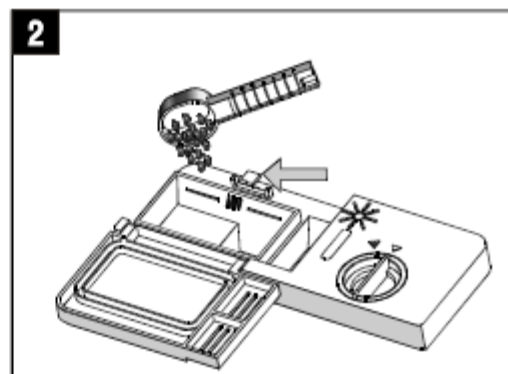
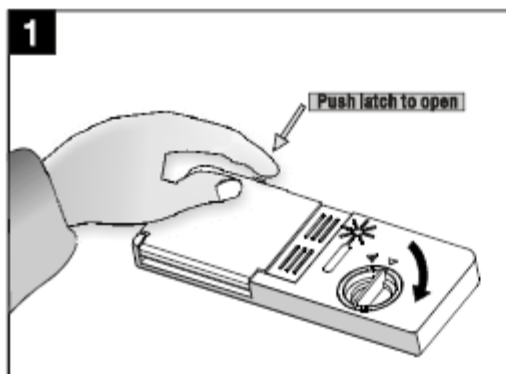
The amount of rinse aid that the dishwasher requires also depends on the hardness of your water. You should experiment with the rinse aid setting, until you find a level that gives the best results.



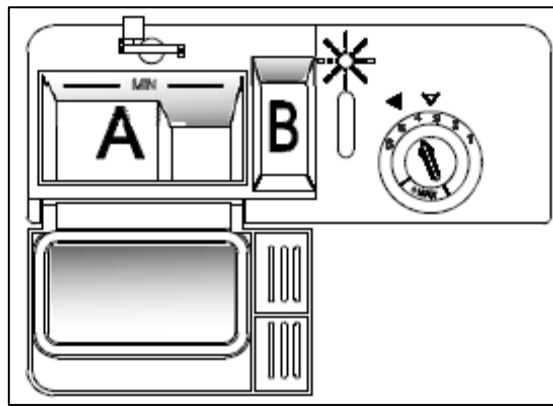
- On the first wash cycle, we would recommend that the rinse aid level is set to number 4.
- If you get water spots and poor drying performance, then you should turn the arrow anticlockwise and increase the setting to the next number.
- You should continue to adjust the rinse aid level upwards until you get no water spots.
- If you get cloudiness or streaking on your dishes, the rinse aid level is set too high and it is causing foaming during the wash cycle. Turn the arrow clockwise and lower the setting to the next number.

## Filling with dishwasher detergent

The detergent dispenser must be refilled at the start of each wash cycle (apart from the Rinse wash program).



- Push the latch on the side of the dispenser to open the lid and place the detergent inside of the dispenser.



- The section marked **A** in the diagram is for the main wash cycle detergent. Only one detergent tablet should be placed in the dispenser at any one time. If you are using detergent powder or liquid, you should follow the detergent manufacturer's recommendations.
- The section marked **B** in the diagram can have separate detergent placed in it for any wash cycle that has a pre-wash element to it, however this is optional. This must be a liquid or powder detergent, not another detergent tablet.
- Shut the detergent dispenser lid and position the clip on the outer edge, so that it holds the lid shut.
- At the beginning of a wash cycle the clip will open and the tablet/powder/liquid will enter the dishwasher.

### **Concentrated detergent**

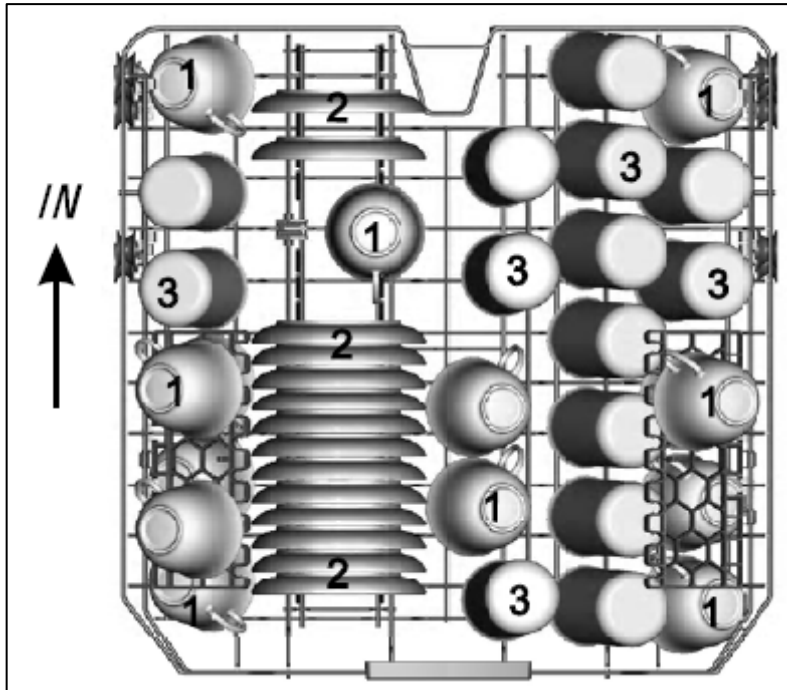
- The use of the NORMAL program with concentrated detergents reduces pollution and is good for your dishes.
- The NORMAL program is specifically matched to the dirt-dissolving properties of the enzymes of concentrated detergents. For this reason, the NORMAL program with concentrated detergent can achieve the same result as the INTENSIVE program.

### **Detergent tablets**

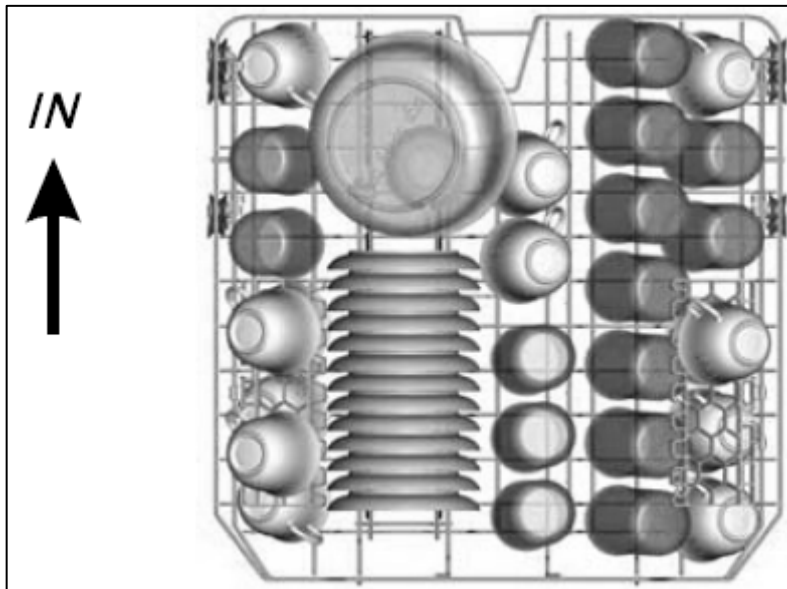
- Different brands of detergent tablets dissolve at different speeds. For this reason, some detergent tablets cannot dissolve and develop their full cleaning power during short programs.
- Therefore, please use longer programs when using detergent tablets to ensure the complete removal of detergent residues.

## Loading the upper basket

*The upper basket is most suited to washing delicate and light dishware, such as glasses, coffee & tea cups, saucers, plates, bowls and shallow pans (that are not heavily soiled).*



- 1) Cups
- 2) Saucers
- 3) Glasses



- You should position the dishes and cookware in such a way that they are not moved by the spray of water during the wash cycle.
- Use the diagrams above as a guide to the most appropriate way to load the upper basket.



## Adjusting the upper basket

*Your dishwasher has an adjustable upper basket which you can alter to the most suitable position for the items you are going to wash in the upper basket.*

*The height of the upper basket can be adjusted by pulling the handle on either side of the basket upwards until it clips into place.*

### Position 1 (upper position)



- For accommodating items such as glass tumblers and wine glasses. Wine glasses should be placed upside down, so that the stem of the glass rests in one of the grooves on the side flap.

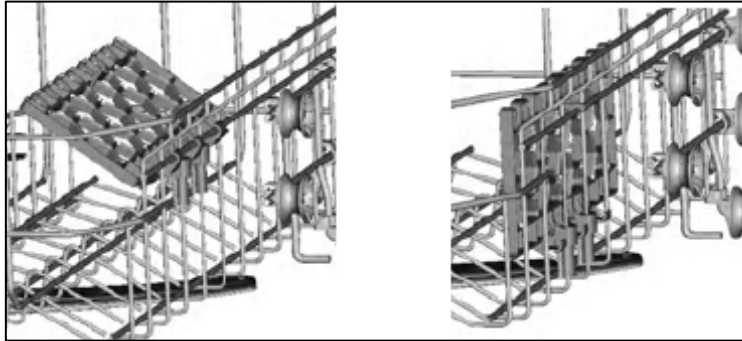
### Position 2 (lower position)



- For accommodating additional tumblers, cups and mugs. You can also place small, espresso sized cups on top of the side racks. Care should be taken to make sure that there is enough clearance between the top of the cups placed on top of the side racks and the underneath of the dishwasher interior.
- Please note that when the basket is in the upper position, you cannot have the side flaps in a raised position. Otherwise the basket will not slide back into the interior of the dishwasher.

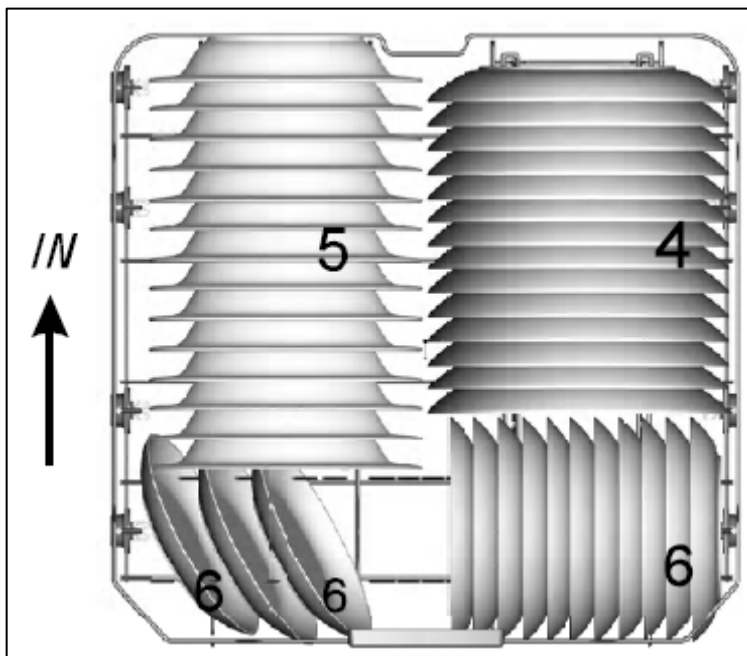
## Folding back the cup shelves

- For easier stacking of pots and pans, the cup shelf spikes can be folded down as shown in the image below.

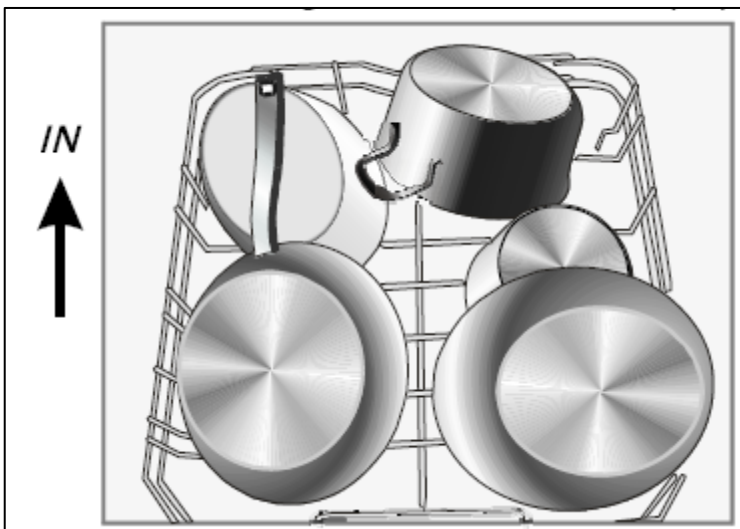


## Loading the lower basket

*The lower basket is most suited to washing larger and more heavily soiled items, such as saucepans, saucepan lids and serving dishes. You can also load bowls and a variety of plates into the lower basket.*



- 4) Dinner plates
- 5) Soup plates
- 6) Dessert dishes



- Saucepans and serving bowls must always be placed with their bases upwards.
- Deep saucepans should be slanted, to allow water to run off.
- The bottom rack has foldable racks at the rear of the basket that can be folded downwards, to allow for easier loading of larger saucepans and serving bowls.

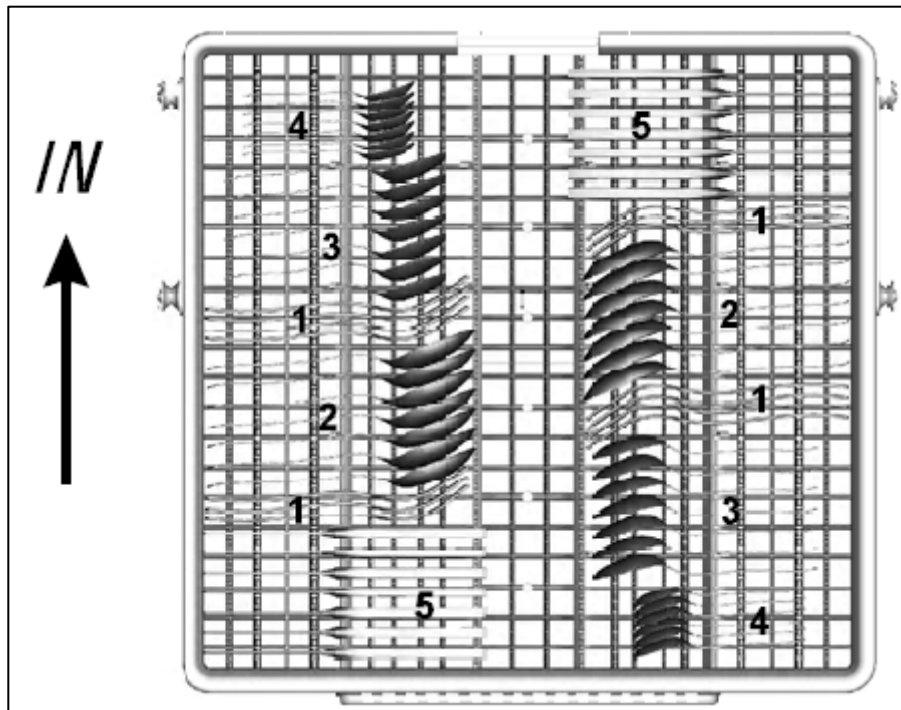
### Foldable racks



To make it easier to load saucepans, the racks in the lower basket can be folded downwards.

### The cutlery basket

*Cutlery should be placed inside of the cutlery basket. The cutlery should be placed separately from each other to ensure thorough cleaning. Long utensils should be placed in the middle of the basket.*



- 1) Forks
- 2) Soup spoons
- 3) Dessert spoons
- 4) Teaspoons
- 5) Knives

- The loading methods shown above for the upper basket, lower basket and cutlery basket are in accordance with the AS/NZS2007.1 testing cycle.

### Loading dishes and cutlery



***Household cloths, sponges or any other object that may absorb water SHOULD NOT be washed in a dishwasher.***

- Remove leftovers and soften the remnants of burnt food in pans, prior to loading dishes in the appliance.
- Once the dishwasher has been loaded, check that the spray arms can move freely. If the spray arm comes into contact with any item, then you should rearrange the wash load.
- Cups, glasses, pans etc. should all be loaded with their bases upwards, so that water does not collect inside of them.
- Cutlery and dishes should not cover each other; otherwise you may get poor wash results.
- Do not allow glasses to touch inside the dishwasher, otherwise damage may occur.



***The following items are NOT suitable for washing inside a dishwasher:-***

- Cutlery with a handle of mother-of-pearl, wood, horn or china.
- Plastic items that are not resistant to heat.
- Cutlery that consists of glued parts that are not resistant to heat.
- Cutlery items or crockery that are bonded.
- Copper or pewter items.
- Lead crystal glass.

- o Wooden platters.
- o Synthetic fibre items.















***The following items are not always suitable for washing inside a dishwasher:-***

- o Stoneware should only be washed if the manufacturer of the item has marked it as dishwasher safe.
- o Plastic items (such as lunchboxes) should only be washed if the manufacturer has marked it as dishwasher safe.
- o Glazed crockery may fade with repeated washing inside of a dishwasher.
- o Items made of silverware or aluminium can discolour when washed inside a dishwasher.
- o Any food residue should be removed from silver items immediately, as this can also result in discolouration.
- o Certain types of glass may become dull or cloudy after a large number of washes.

### **Program table**

- o The NORMAL program is suitable for cleaning a typical load of dirty dishes and is the most efficient in terms of its combined energy and water consumption.

<b>Program</b>	<b>Wash program information</b>	<b>Description of cycle</b>	<b>Detergent (pre/main)</b>	<b>Program times*</b>	<b>Energy (Kwh)</b>	<b>Water (L)</b>	<b>Rinse aid</b>
Intensive 	For the heaviest soiled loads, such as pots, pans, casserole dishes and dishes that have been sitting with dried food on them for a while.	Pre-wash (50°C) Wash (65°C) Rinse Rinse (55°C) Drying	3 in 1  or  5/27.5 g	165 Minutes	1.4	16.5	
Heavy	For heavily soiled loads, such as pots, plates,	Pre-wash (45°C) Wash (55°C)	3 in 1  or	175 Minutes	1.2	13.5	

	glasses and light soiled pans.	Rinse Rinse (60°C) Drying	5/27.5g				
 Normal**	For normally soiled loads, such as pots, plates, glasses and lightly soiled pans. A standard daily cycle.	Pre-wash Wash (45°C) Rinse Rinse (50°C) Drying	3 in 1  or 5/27.5 g	160 Minutes	0.71	13	
Glass 	For lightly soiled loads such as glasses, crystal and fine china.	Pre-wash Wash (40°C) Rinse Rinse (60°C) Drying	20 g	115 Minutes	0.85	13.5	
1 hour 	A daily wash in only 1 hour. For lightly and normally soiled plates and pans for everyday use.	Pre-wash (50°C) Wash (60°C) Rinse (50°C) Drying	3 in 1  or 5/27.5 g	60 Minutes	0.85	9	
Rapid 	A shorter wash for lightly soiled loads that do not need drying.	Wash (40°C) Rinse Rinse (45°C)	20g	35 Minutes	0.5	10	
Soak 	A shorter wash for lightly soiled loads that do not need drying.	Pre-wash	N/A	8 Minutes	0.1	3.5	

\* The wash program times that are quoted are intended as a guide only. Please note that factors external to the machine, e.g. the temperature of your water supply, your water pressure etc. can affect the time it takes for the wash program to complete.

\*\* NORMAL is the testing program for AS/NZS2007.1

## Setting a wash program



***Make sure that the before first use section has been followed.***

- Check whether the appliance needs rinse aid adding to it.
- Pull out the top and bottom baskets, then load them in accordance with the loading instructions.
- Push the top and bottom baskets fully back into position.
- Add detergent.
- Close the door firmly, so that you hear the door lock click shut.
- Turn the appliance on by using the ON/OFF button **(1)**.
- ***IMPORTANT: Wait for 5 seconds before pressing the program selection button, otherwise the appliance may not function correctly.***
- Press the program button **(4)** repeatedly to choose an appropriate wash program for the load that you are washing. The relevant program icon will light to show which cycle has been selected.



- Select any program options that you want to use (e.g. delay start or half load). Press the start/pause button **(6)** to begin the program.
- After a few seconds, you will hear the appliance begin to fill with water and the wash program will have started.

## Changing the wash program

- A program which has just begun can be changed if it has only been running for a short time. Otherwise, the detergent may have already been released and will need to be refilled or the machine may have already filled with hot water.
- To stop the current program, press the start/pause button **(6)**.

- Then press and hold the program button **(4)** for about 3 seconds to cancel the current program. You can then proceed to choose another program.
- If you open the door during a wash cycle, the machine will automatically pause to allow you to add or remove dishes. The program light will stop blinking and a buzzer will sound every minute until the door is closed again.
- When the door is closed again, the appliance will continue working after 10 seconds.

***WARNING: Be careful when opening the dishwasher door as hot steam can escape and cause burns. Care should also be taken to ensure the dishes are not too hot to handle.***

***WARNING: You should NEVER open the dishwasher door when the appliance has filled with water as the hot water may scald you.***

### **At the end of a wash program**

- At the end of a wash program, an audible signal will sound for 8 seconds.
- Use the ON/OFF button **(1)** to switch the dishwasher off.
- ***IMPORTANT:*** You should leave the appliance for 15 minutes ***BEFORE*** opening the door. This will allow the steam generated from the final rinse(s) to dry the dishes and allow the dishes to cool.
- Carefully open the door of the appliance and leave it ajar for a few minutes and allow any remaining steam to disperse.
- ***WARNING:*** Hot steam may escape when the door is first opened, so care should be taken.
- Unload the dishwasher; you should take care in case any of the items are still warm.
- It is recommended that you empty the lower basket first to avoid any water from the upper basket dripping down and leaving marks on dishes in the lower basket.
- ***IMPORTANT:*** If you leave the door of the dishwasher shut and do not unload the dishwasher for a prolonged period of time, then you may get water droplets reforming on the washload.



## Setting a delay start

*It is possible to delay the start of the wash program for up to a maximum of 24 hours.*

- Check whether the appliance needs rinse aid or salt adding to it.
- Pull out the top and bottom baskets, then load them in accordance with the loading instructions.
- Push the top and bottom baskets fully back into position.
- Add detergent.
- Close the door firmly, so that you hear the door lock click shut.
- Turn the appliance on by using the ON/OFF button **(1)**.
- Press the program button **(4)** repeatedly to choose an appropriate wash program for the load that you are washing. The relevant program icon will light to show which cycle has been selected.



- Use the delay start button **(3)** to set the amount of time that you want to delay the wash program by. The time that you have selected will appear in the LED display.
- You can delay the start of the wash cycle by a maximum of 24 hours. When the LED display shows the correct start time, press the start/pause button **(6)** to begin the countdown.
- Once the period of time that you set has passed, the dishwasher will start the wash program that you selected automatically.

## The Alt function

*The alt or half load function can be used when you only need to wash crockery in one basket. This function allows less water and energy consumption during the program.*

- Check whether the appliance needs rinse aid adding to it.
- Pull out the top or lower basket, and then load it in accordance with the loading instructions.
- Push the basket fully back into position.
- Add detergent.
- Close the door firmly, so that you hear the door lock click shut.
- Turn the appliance on by using the ON/OFF button **(1)**.
- Press the program button **(4)** repeatedly to choose an appropriate wash program for the load that you are washing. The relevant program icon will light on the display to show which program has been selected.



- Press the alt button **(5)** to select the half load option. Each press of the button will light the relevant icon on the LED display to show which spray arm has been selected to wash dishes in the upper or lower basket.
- Press the start/pause button **(6)** and after a few seconds, you will hear the appliance begin to fill with water and the wash program will have started.

## The safety lock

The dishwasher is supplied with a safety lock which can be used to prevent accidental usage of the control panel buttons by unauthorised persons such as children.

- To activate the safety lock, press and hold the safety lock button **(2)** and the delay start button **(3)** for about 3 seconds.
- The safety lock icon will light on the display to show that the feature has been activated. All buttons on the control panel will be inoperable.

- To deactivate the safety lock, repeat the same process. The safety lock icon will no longer be lit on the display and all buttons on the control panel will be operable again.

## **Saving energy using your dishwasher**

### **Loading dishes**

- Refer to the relevant section of this manual for instructions on placing items in the dishwasher for the most efficient cleaning.
- Only run the dishwasher when it is full for optimum energy and water usage. Or use the alternative wash function for smaller loads.
- Check the program table to select the most efficient program according to the size and type of the load.
- The NORMAL program washes your items at a lower temperature and uses less water during the cycle. That is better for the environment and helps to cut energy costs as well as your water bill if you're on a water meter.

### **Usage**

- Clean the filters regularly both to keep the dishwasher clean and to maintain its efficiency.
- Always remember to switch the appliance off standby when you have finished using it.
- You do not need to rinse dishes off before loading. If you prefer to pre-rinse, use cold water on your dishes before loading them but do not waste water by letting it run continuously.
- Use the shorter and lower temperature cycles for everything but the dirtiest dishes. Shorter cycles use less energy and work just as well. Modern detergents also work just as well at lower temperatures.

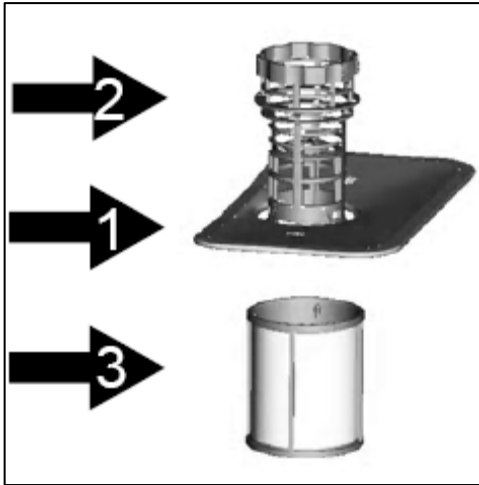
## Cleaning and maintenance



**IMPORTANT:** *The appliance should be disconnected from your mains supply before commencing any cleaning process.*

### The filter system

*Your appliance is fitted with three levels of filtering; these are located in the base of the dishwasher for ease of access.*



- 1) Main filter
- 2) Coarse filter
- 3) Fine filter

**Main filter-** Food and soil particles are trapped by this filter and pulverised by a special jet on the lower spray arm. This debris is then washed down the drain.

**Coarse filter-** Larger items such as pieces of bone or glass, which could clog the drain, are trapped in this filter.

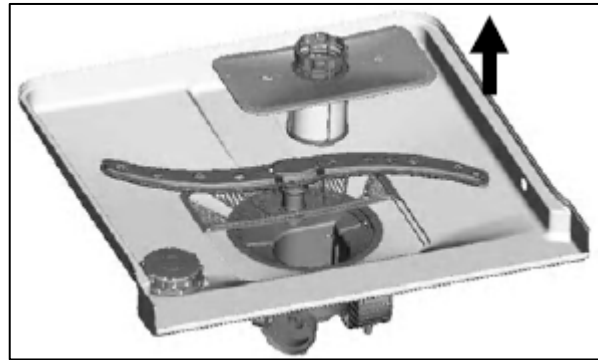
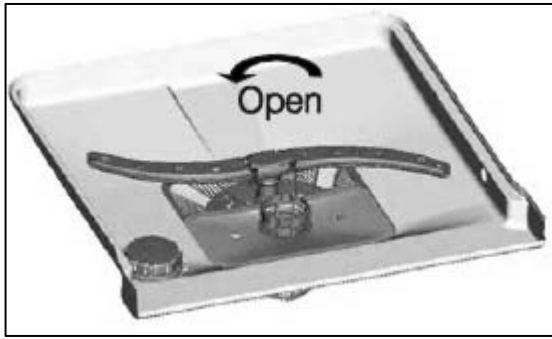
**Fine filter-** This filter holds soil and food residue in the sump area and prevents it from being redeposited on the dishes during a wash cycle. The filter should be cleaned every 2-3 washes to avoid poor wash performance.



**IMPORTANT:** *Whilst the filtering system is efficient, your dishwasher is not a waste disposal unit. All items being washed inside of the dishwasher should have food scraps removed from them before being loaded into the appliance.*

## Cleaning the filters

*For best performance and results, the entire filter assembly should be thoroughly cleaned regularly.*



1. Turn the coarse filter anti-clockwise and then lift it upwards. Rinse the filter sections under a tap to remove any food debris that remains in them.
2. Replace all three of the filters into their original positions. You must turn the coarse filter clockwise to lock it back into position.

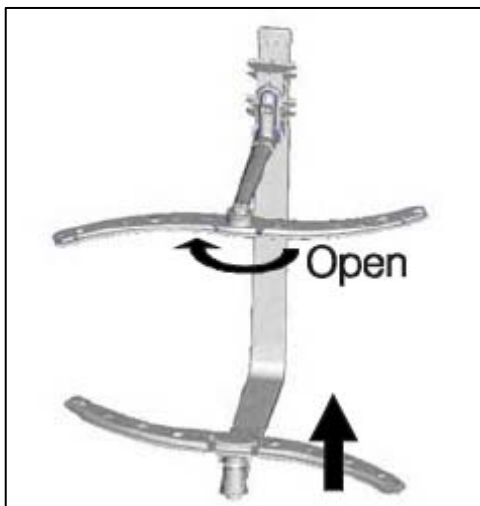
***IMPORTANT: If a glass gets smashed inside of the appliance, you must check there is no glass in the filter before the machine is used again as this can cause a drainage failure.***



***IMPORTANT: THE DISHWASHER SHOULD NEVER BE SET ON A WASH CYCLE WITHOUT THE FILTERS BEING INSIDE OF THE APPLIANCE.***

## Cleaning the spray arms

The spray arms should be cleaned regularly, to prevent hard water deposits from clogging the spray arm jets and bearings.



- To remove the upper spray arm, hold the nut and rotate the arm clockwise to remove it.
- To remove the lower spray arm, gently pull it upwards.
- Wash the spray arms in warm, soapy water and use a soft brush to clean the jets.
- Rinse the spray arms thoroughly and then reassemble the spray

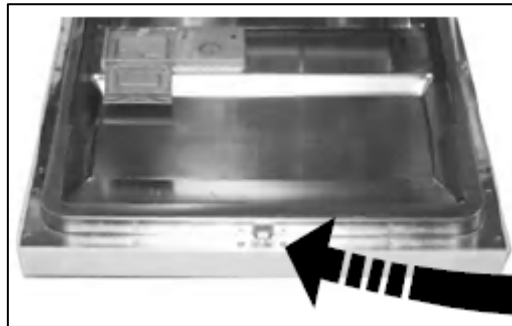
arms back in their original positions.

## Cleaning the control panel

**IMPORTANT:** Do not use any abrasive cleaner or household polish on either the control panel or operating parts.

- Wipe over the control panel using a brand new damp cloth with warm water.

## Cleaning the door



- To clean the edge around the outside of the door, you should use a soft, damp cloth only.
- To prevent water from penetrating the door lock or electrical components, **DO NOT** use a spray cleaner of any kind.
- **DO NOT** use any abrasive cleaner or scouring pads on the inner or outer surfaces, as they may cause damage to them.

## Cleaning the seals

- If any food remnants get trapped in the seals, it can cause odours to form in the appliance. Periodic cleaning of the seals using a damp sponge will prevent this from occurring.

## Long periods of not in use

If you are not going to be using your dishwasher for a long period of time, the following steps should be taken:

- It is recommended that you run a wash cycle with no dishes loaded into the appliance to clean the interior.
- Unplug the machine from the electrical socket and turn off the water supply.
- Leave the door of the dishwasher slightly open to maintain the seals and prevent odours from forming within the appliance.

## Error code failure system

If your appliance senses that it is not operating correctly, then an error code may appear in the display window.

The following error codes can possibly be remedied by the customer and the steps outlined below should be followed.

***BEFORE COMPLETING ANY MAINTAINANCE ON THE APPLIANCE, IT SHOULD BE DISCONNECTED FROM YOUR MAINS POWER SUPPLY.***

### **E1**

- Longer than expected fill time or drain time.
- ✓ Check the water pressure of your mains water supply.
- ✓ Clean the mesh filter that sits in the inlet hose.
- ✓ Ensure that the inlet hose is not kinked or crushed.
- ✓ Make sure the water tap that the machine is connected to is turned on fully.
- ✓ Check that the outlet hose is not kinked or crushed and that it's positioned correctly (as per the installation instructions).

### **E4**

- The machine has sensed water in the base.
- ✓ Check that the outlet hose is not kinked or crushed.
- ✓ Check that there are no blockages in the drain hose or the drainage system that the appliance is connected to.
- ✓ The drain pipe may be placed in too high a position or incorrectly. Check the installation instructions and ensure that the installation is correct.

### **E8**

- Open circuit or failure of the distributary valve.
- ✓ Call the Service Department.
  
- Once you have taken action to rectify the problem that has caused the fault code to appear, plug the machine back into your mains power supply.
  
- Switch the appliance back on using the ON/OFF button **(1)**.
  
- Wait for a 5 seconds before attempting to set a wash program, using the program selection button.



***IMPORTANT:*** If any other fault code appears in the display window, you should not attempt to clear it yourself and contact the Service Department.



**IF THE FAULT CODE REAPPEARS AFTER FOLLOWING THE ABOVE ADVICE AND CLEARING THE FAULT CODE. YOU SHOULD TURN OFF THE APPLIANCE; DISCONNECT THE APPLIANCE FROM YOUR MAINS SUPPLY. THEN ARRANGE FOR AN ENGINEER TO ATTEND THE APPLIANCE. YOU SHOULD CONTACT THE SERVICE DEPARTMENT ON TELEPHONE NUMBER 1800 444 357.**



**IF AN ENGINEER ATTENDS DURING THE GUARANTEE PERIOD AND FINDS THAT A FAULT HAS BEEN CAUSED BY AN ITEM ON THE ERROR CODE LIST, WHICH COULD HAVE BEEN CLEARED BY THE CUSTOMER. THEN YOU MAY BE LIABLE FOR THE COST OF THE SERVICE CALL.**

### General troubleshooting

<b>PROBLEM</b>	<b>POSSIBLE CAUSES</b>	<b>WHAT TO DO</b>
<i>Dishwasher does not start.</i>	<b>Fuse has blown or the circuit breaker acted.</b>  <b>Power supply is not turned on.</b>  <b>Water pressure is low.</b>  <b>Dishwasher door is not properly closed.</b>	Replace the fuse or reset the circuit breaker. Remove any other appliances sharing the same circuit with the dishwasher.  Make sure the dishwasher is turned on and the door is closed securely. Make sure the power cord is properly plugged into the wall socket.  Check that the water supply is connected properly and the water is turned on.  Make sure to close the door properly and latch it.
<i>Water not pumped from the dishwasher.</i>	<b>Kink in the drain hose.</b>  <b>Filter is clogged.</b>  <b>Kitchen sink is clogged.</b>	Check the drain hose.  Check the filter assembly.  Check the kitchen sink to make sure it is draining well. If the problem is the kitchen sink not draining, you may need a plumber rather than an engineer for the dishwasher.
<i>Suds in the tub.</i>	<b>Improper detergent used.</b>	Use only specialised dishwasher detergent to avoid suds. If this occurs, open the dishwasher door



	<b>Spilled rinse aid.</b>	and let the suds evaporate. Add 1 gallon of cold water to the tub. Close and latch the dishwasher, then select the RINSE cycle. The dishwasher will drain out the water. Then open the door and check if suds have disappeared. Repeat if necessary.  Always wipe up rinse-aid spills immediately.
<i>Stained dishwasher interior.</i>	<b>A detergent with colourant was used.</b>	Make sure that the detergent used is one without colourant.
<i>White film on inside surfaces.</i>	<b>Hard water minerals.</b>	To clean the interior, use a damp sponge with dishwasher detergent and wear rubber gloves. Never use any other cleaner than dishwasher detergent for the risk of foaming or suds.
<i>There are rust stains on the cutlery.</i>	<b>The affected items are not corrosion resistant.</b>	Avoid washing these items in the dishwasher and look for dishwasher-safe replacements in the future.
<i>Knocking noise in the wash cabinet.</i>	<b>A spray arm is knocking against an item in the basket.</b>	Interrupt the program and rearrange the items which are obstructing the spray arm.
<i>Rattling noise in the wash cabinet.</i>	<b>Items of crockery are loose in the wash cabinet.</b>	Interrupt the program and rearrange the items of crockery.
<i>Knocking noise in the water pipes.</i>	<b>This may be caused by on-site installation or the cross-section of the piping.</b>	This has no influence on the dishwasher function but, if in doubt, contact a suitably qualified plumber.
<i>The dishes are not clean.</i>	<b>The dishes were not loaded correctly.</b>  <b>The program was not powerful enough.</b>  <b>Not enough detergent was used.</b>  <b>Items are blocking the path of the spray arms.</b>  <b>The filter assembly is not clean or fitted correctly. This may cause the spray arm</b>	See instructions for loading the wash baskets correctly.  Select a more intensive program next time.  Use more detergent next time or change your detergent type or brand.  Rearrange the items so that the spray arms can rotate freely.  Clean and/or fit the filter assembly correctly. Clean the spray arm jets.

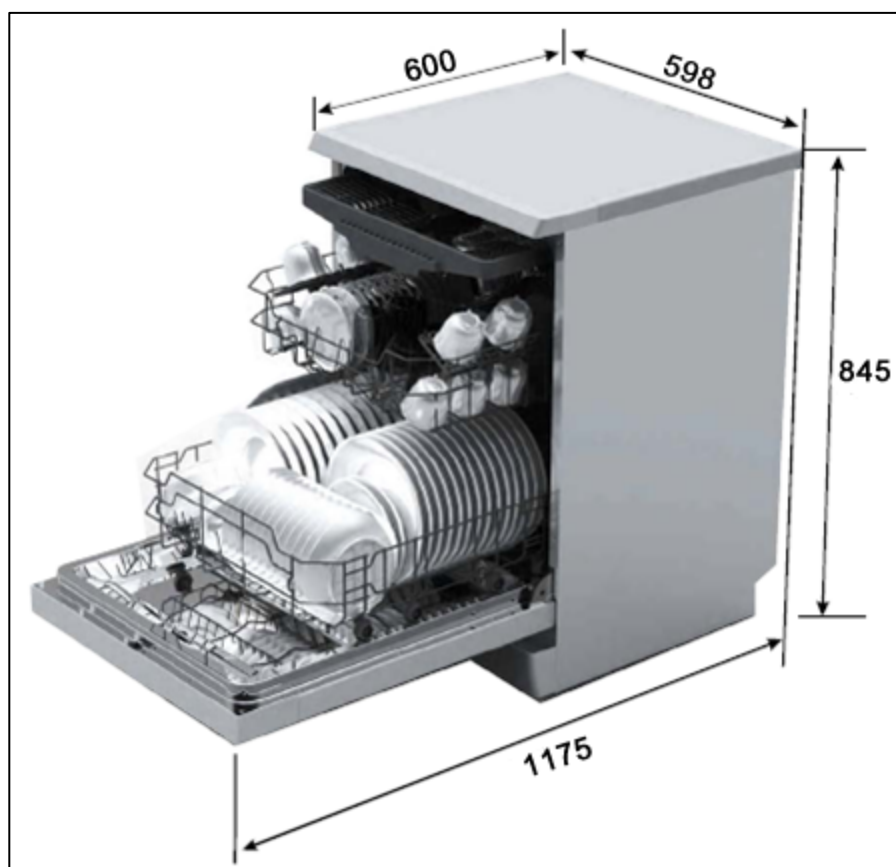
	<b>jets to get blocked.</b>	
<i>Cloudiness on glassware.</i>	<b>Combination of soft water and too much detergent.</b>	Use less detergent if you have soft water and select a shorter cycle to wash the glassware and get them clean.
<i>Black or grey marks on dishes.</i>	<b>Aluminium utensils have rubbed against the dishes.</b>	Use a mild abrasive cleaner to eliminate those marks.
<i>Detergent has been left in the dispenser.</i>	<b>The dishes are blocking the detergent dispenser.</b>	Reload the dishes correctly.
<i>The dishes are not drying.</i>	<p><b>Improper loading.</b></p> <p><b>Too little rinse aid is used.</b></p> <p><b>Dishes are removed too soon.</b></p> <p><b>Wrong program has been selected.</b></p> <p><b>Use of cutlery with a low-quality coating.</b></p>	<p>Load the baskets according to the instructions.</p> <p>Increase the amount of rinse aid or refill the dispenser.</p> <p>Do not empty your dishwasher immediately after washing. Open the door slightly so that the steam can escape. Begin unloading the dishwasher only once the dishes are barely warm to the touch.</p> <p>In shorter programs the washing temperature is lower. This also lowers the cleaning performance. Choose a program with a long washing time.</p> <p>Water drainage is more difficult with these items. Cutlery or dishes of this type are not suitable for washing in the dishwasher.</p>

## Installation

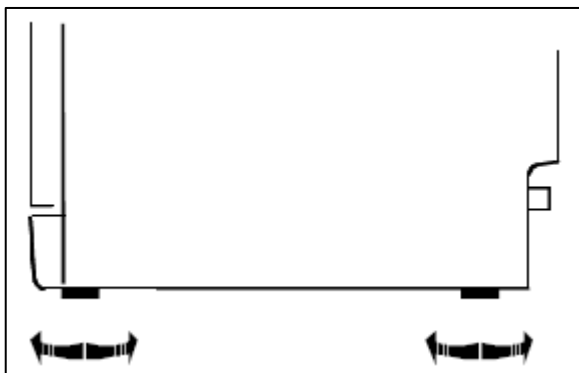


**IMPORTANT: THIS INSTALLATION MUST BE COMPLETED BY A SUITABLY QUALIFIED PERSON. BAUMATIC ONLY SANCTION THE INSTALLATION GIVEN IN THIS INSTRUCTION MANUAL. YOU SHOULD DISPOSE OF ALL PACKAGING IN AN ENVIRONMENTALLY FRIENDLY MANNER.**

### Positioning and levelling the appliance



- Remove all packaging from the outside and inside of the dishwasher.
- Place the dishwasher on a solid and level floor surface.
- **DO NOT PLACE THE DISHWASHER ON A CARPET.**



- Loosen the adjustable feet that are positioned on the base of the appliance.

- Adjust each of the four feet until the appliance is level.



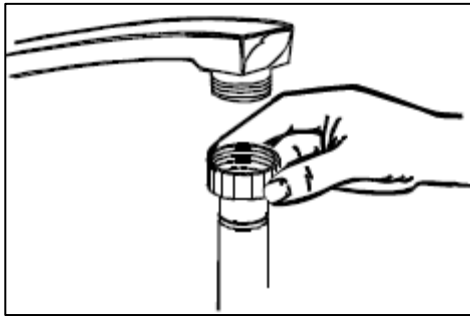
**IMPORTANT:** When the dishwasher is positioned in the location where it will be used. Make sure that all four feet are resting firmly on the floor, by pressing down on each corner and checking that the appliance stands still.

### Connecting to the mains water supply



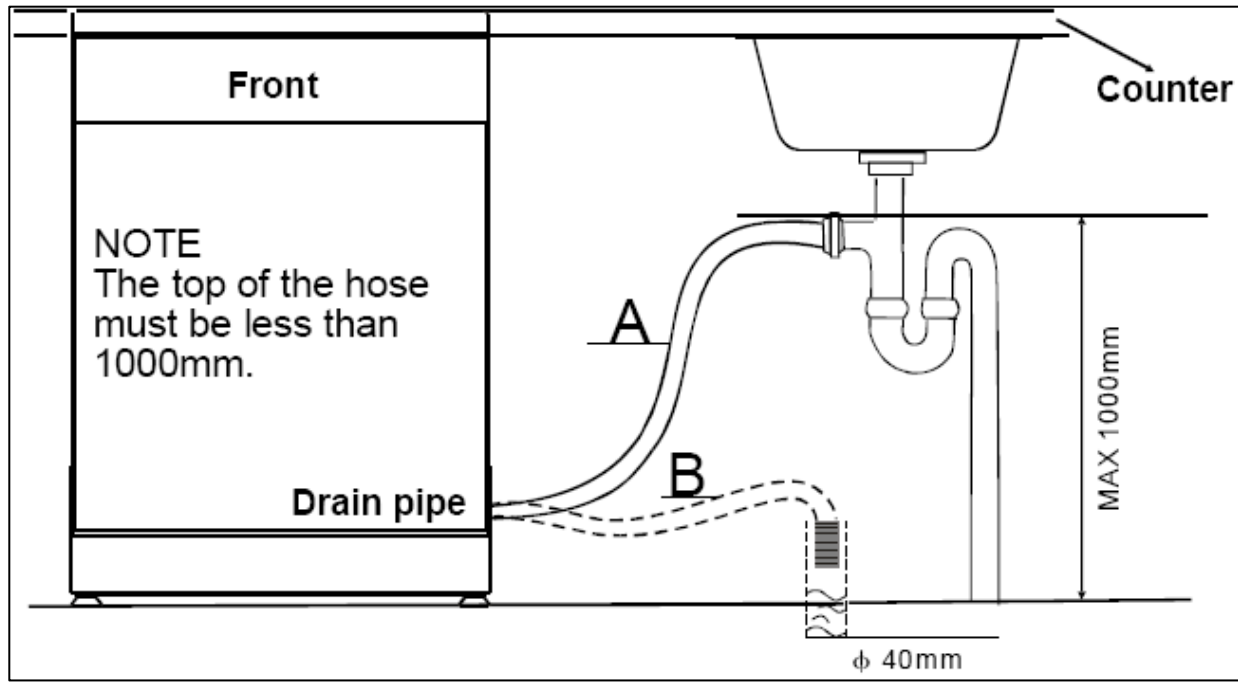
**IMPORTANT:** Do not connect the appliance to your mains water supply using an old or an existing water inlet hose. The inlet hose supplied with the dishwasher is the **ONLY** one that should be used.

**DO NOT CONNECT THE WATER INLET HOSE TO A HOT WATER TAP.**



- The inlet hose will be located inside the cabinet of the dishwasher.
- Connect the water inlet hose to a threaded cold water tap that has a 3/4" thread and to the inlet hose connector on the appliance.
- Fully tighten the inlet hose to the water tap and the dishwasher.

## Connecting to the water outlet



- Secure the drain hose, so that it cannot move whilst the dishwasher is in use. The top of the hose must be at a height between 40 and 1000 mm. The free end of the hose must not be immersed in water.
- Place the end of the drain hose on your drain pipe. Push it a short way down into your drain pipe.
- **IMPORTANT:** Do not insert the drain hose too deeply into the pipe, as this may cause siphoning.
- **NEVER EXTEND THE DRAINAGE HOSE FROM ITS ORIGINAL LENGTH.**

## Connecting to the power supply

- **IMPORTANT:** The electrical socket must still be accessible once the appliance is installed.
- Consult the rating plate, located on the right hand side of the drop down door **BEFORE** making the electrical connections. Ensure that the voltage reaching the plug is the same as that on the rating plate.
- **DO NOT REMOVE THE RATING PLATE AS THE INFORMATION ON IT IS IMPORTANT.**

- The moulded plug that is supplied with the appliance must be placed into an earthed and insulated socket.
- Broken or damaged power leads must only be replaced by a suitably qualified person. A power lead of a similar type must be used in replacement.
- Power lead type – H 0 V V – F 3G 1,5.
- ***IMPORTANT:*** *We do not recommend that this appliance is connected to an extension lead.*

### **Before first use**

You should check the following before using the appliance for the first time: -

- That the dishwasher is level and fixed in position.
- That the water tap is fully open.
- That there are no leaks at either end of the drain or inlet hoses.
- That the inlet and outlet hoses are fully tightened.
- That the inlet and outlet hoses are not kinked.
- That the power is switched on.
- That the rinse aid dispenser has been filled with rinse aid.



***IMPORTANT: If your appliance appears not to be operating correctly, then you should disconnect it from your mains supply and then contact the Service Department on telephone number 1800 444 357.***

***DO NOT ATTEMPT TO REPAIR THE APPLIANCE YOURSELF.***

Please note that if an engineer is asked to attend whilst the product is under guarantee and finds that the problem is not the result of an appliance fault, then you may be liable for the cost of the call out charge.

***The appliance must be accessible for the engineer to perform any necessary repair. If your appliance is installed in such a way that an engineer is concerned that damage will be caused to the appliance or your kitchen, then he will not complete a repair.***

***This includes situations where appliances have been tiled in, sealed in with sealant, have wooden obstructions placed in front of the appliance, like plinths. Or any installation other than the one specified by Baumatic Ltd. has been completed.***

Please refer to the conditions of guarantee that appear on the warranty card that you receive with the appliance

***IMPORTANT: Baumatic Ltd. operates a policy of continuous improvement and reserves the right to adjust and modify its products without prior notification.***



***Think Appliances Pty Ltd.***

416-424 Barry Rd  
Coolaroo VIC 3084  
Australia

**Sales Telephone**

1300 132 824

**Service Telephone**

1800 444 357

**Website**

[www.thinkappliances.com](http://www.thinkappliances.com)

***Applico Ltd.***

P.O. 92900  
Onehunga, Auckland,  
New Zealand 1061

**Website**

[www.applico.nz](http://www.applico.nz)

***United Kingdom***

Baumatic Ltd.,  
Baumatic Buildings,  
6 Bennet Road,  
Reading, Berkshire  
RG2 0QX  
United Kingdom

**Sales Telephone**

(0118) 933 6900

**Website:**

[www.baumatic.co.uk](http://www.baumatic.co.uk)









