



AVALONTM
Firestyles for Life



- **Masonry Fireplace**
- **Factory Built (Metal) Fireplace**
- **Mobile Home Approved**

Tested and Listed by



Omni-Test Laboratories, Inc.
Portland, Oregon
Report # 028-S-51-2
ASTME-1509 1995, ULCC
1482

Astoria BayTM Pellet Insert

- **Please read this entire manual before installation and use of this pellet fuel-burning room heater. Failure to follow these instructions could result in property damage bodily injury or even death.**
- **Contact local building or fire officials about restrictions and installation inspection requirements in your area.**
- **Save these instructions**

Installer: After installation give this manual to the homeowner and explain operation of this stove.

\$10.00 © Copyright 2008, T.I. Part # 100-01144

4080723



**TRAVIS INDUSTRIES
HOUSE OF FIRE**

4800 Harbour Pointe Blvd. SW
Mukilteo, WA 98275

Introduction

Introduction.....	2
Important Information.....	2

Safety Precautions

Safety Precautions.....	4
-------------------------	---

Specifications

Heating Specifications.....	6
Dimensions.....	6
Electrical Specifications.....	6
Fuel.....	6
EPA Compliance.....	6

Installation

Before you Begin.....	7
Packing List.....	7
Installation Options.....	7
Planning the Installation.....	7
Minimum Fireplace Size.....	7
Hopper Extension Set-Up.....	8
Clearances.....	10
Mantel Requirements.....	10
Hearth Requirements.....	10
Facing Requirements.....	10
Placing the Insert.....	10
Venting the Pellet Stove.....	11
Maximum Venting Distance.....	11
Pellet Vent Type.....	11
Installing the Pellet Vent.....	11
Pellet Vent Termination.....	11
Mobile Home Requirements.....	12
Outside Air.....	12
Baffle Installation.....	13
Restrictor Adjustment.....	13
Surround Panel & Circuit Board Installation.....	14
Installation into a Masonry Fireplace.....	15
Installation into a Factory Built (Metal) Fireplace.....	16

Operation

Safety Notice.....	17
Location of Controls.....	17
Starting the Heater for the First Time.....	17
Curing the Paint.....	17
Priming the Auger.....	17
Loading Pellets.....	18
The Two Modes of Operation.....	18

Operation (continued)

Manual Mode.....	19
Auto Mode.....	20
Restrictor Adjustment.....	21
Adjusting the Fan Speed.....	21
Start-Up Sequence.....	22
"AUGER ON" Light.....	22
"MAINTENANCE REQUIRED" Light.....	22
Power Outages.....	23
Using a Pellet/Corn Mix with This Heater.....	23

Maintenance

Daily Maintenance (whenever using the heater).....	24
Inspect the Burn.....	24
Make Sure Pellets are not Piling Up.....	24
Check Firepot for Clinkers.....	25
Cleaning the Firepot.....	25
Opening the Door.....	26
Weekly Maintenance (or every 5 bags pellets).....	27
Flyash Removal.....	27
Clean the Hopper.....	27
Clean the Heat Exchange Tubes.....	27
Clean the Optional Plated Surfaces.....	27
Check Baffles Ashbox and Ashpan, Dispose.....	28
Clean the Glass.....	28
Sweep Ash Into Ashpan.....	29
Yearly Maintenance (or every ton).....	30
Clean the Exhaust Duct.....	30
Clean the Exhaust Blower.....	31
Clean the Vent.....	31
Door Seal.....	32
Door Alignment.....	32
Adjusting the Door Hinge and Latch.....	33
Check for Air Leaks - Door, Glass and Ashpan.....	34
Replacement Parts.....	34

Normal Operating Sounds

Normal Operating Sounds.....	35
------------------------------	----

Safety Label

Safety Label.....	36
-------------------	----

Warranty

Warranty.....	37
---------------	----

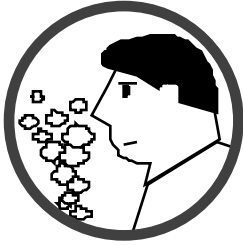
Optional Equipment

Thermostat.....	38
ZC Kit.....	39

Index

Index.....	40
------------	----

Safety Precautions



- Do not operate the heater if you smell smoke coming from the heater. Turn the POWER switch to "OFF", monitor your heater, and call your dealer.



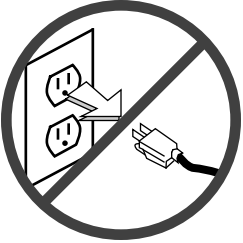
- Contact your local building officials to obtain a permit and information on any installation restrictions or inspection requirements in your area. Notify your insurance company of this heater as well.



- Never use gasoline, gasoline-type lantern fuel, kerosene, charcoal lighter fluid, or similar liquids to start or 'freshen up' a fire in this heater. Keep all such liquids well away from the heater while it is in use.



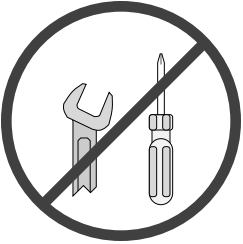
- The exhaust system **must** be completely airtight and properly installed. The pellet vent joints must be sealed with RTV 500° F. (260° C.) silicone sealant.



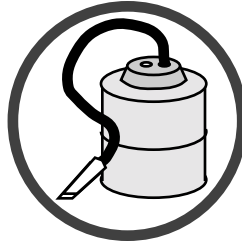
- Do not unplug the heater if you suspect a malfunction. Turn the MODE SWITCH to "OFF" and monitor the heater (see the "Maintenance" section for details).



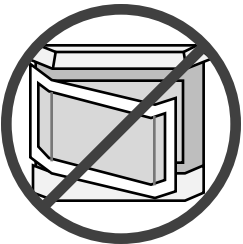
- This unit must be properly installed to prevent the possibility of a house fire. The instructions must be strictly adhered to. Do not use makeshift methods or compromise in the installation.



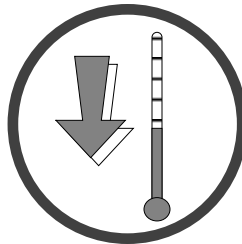
- Never try to repair or replace any part of the heater unless instructions are given in this manual. All other work should be done by a trained technician.



- Your heater requires periodic maintenance and cleaning (see "Maintaining Your Heater"). Failure to maintain your heater may lead to smoke spillage in your home.



- The viewing door and ashpan must be closed and latched during operation.



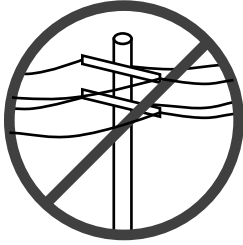
- Allow the heater to cool before carrying out any maintenance or cleaning. Ashes must be disposed in a metal container with a tight lid and placed on a non-combustible surface well away from the home or structure.



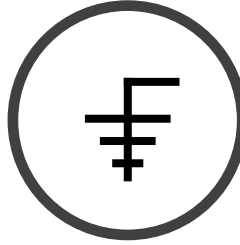
- Do not operate the heater if the flame becomes dark & sooty or if the firepot overfills with pellets. Turn the MODE SWITCH to "OFF" and monitor the heater (see the "Maintenance" section for details).



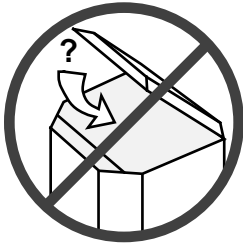
- This heater is designed and approved for pelletized wood fuel only. Any other type of fuel burned in this heater will void the warranty and safety listing (see page 6 for details).



- The heater will not operate during a power outage. If a power outage does occur, check the heater for smoke spillage and open a window if any smoke spills into the room.



- This heater must be connected to a standard 115 V., 60 Hz grounded electrical outlet. Do not use an adapter plug or sever the grounding plug. Do not route the electrical cord underneath, in front of, or over the heater.



- Keep foreign objects out of the hopper.

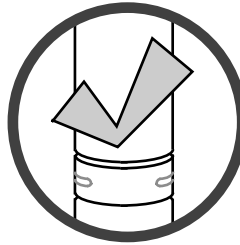


- When installed in a mobile home, the heater must have outside air, and **NOT BE INSTALLED IN THE BEDROOM.**



- Disconnect the power cord before performing any maintenance.

NOTE:
Turning the Mode Switch to "OFF" does not disconnect all power to the heater.



- The exhaust system should be checked twice a year minimum for any build-up of soot or creosote.



- Do not throw this manual away. This manual has important operating and maintenance instructions that you will need at a later time. Always follow the instructions in this manual.



- Do not touch the hot surfaces of the heater. Educate all children of the danger of a high-temperature heater. Young children should be supervised when they are in the same room as the heater.



- Do not place clothing or other flammable items on or near the heater. Because this heater can be controlled by a thermostat there is a possibility of the heater turning on and igniting any items placed on or near it.



- **Travis Industries, Inc. grants no warranty, implied or stated, for the installation or maintenance of your heater, and assumes no responsibility of any consequential damage(s).**

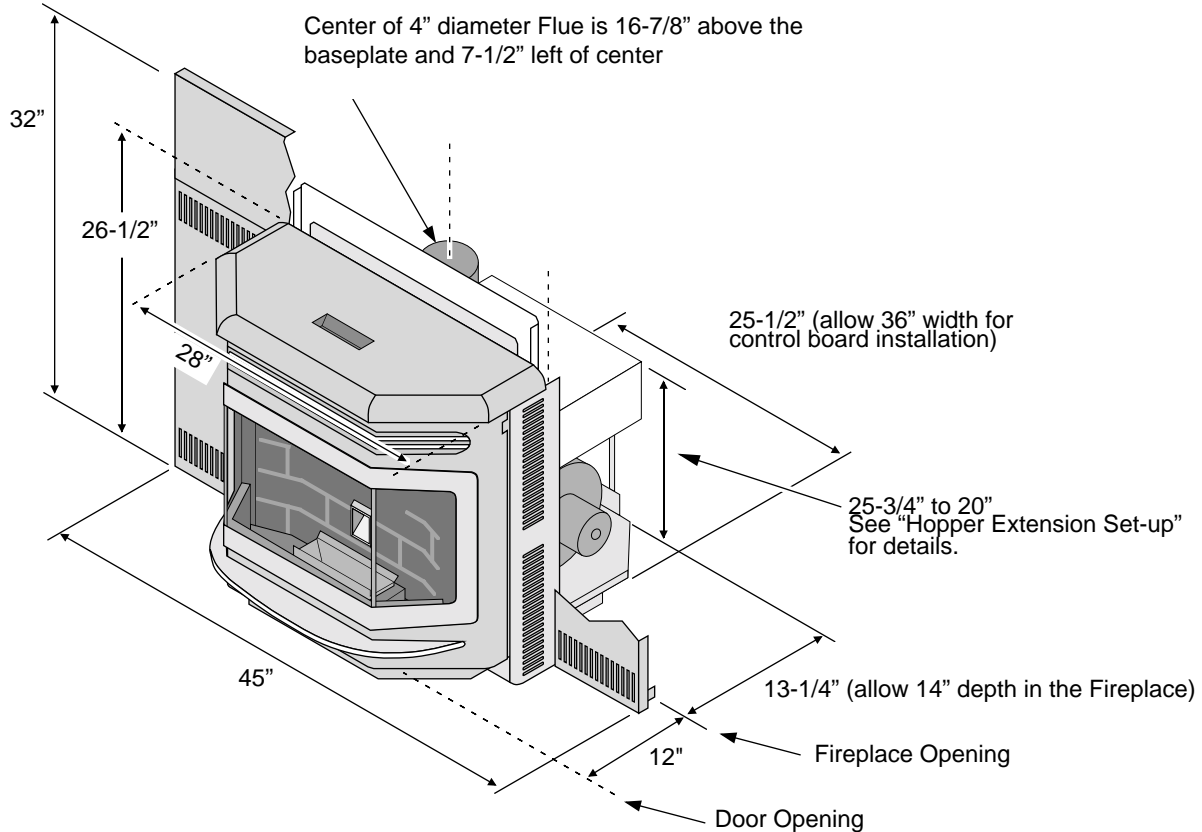
Heating Specifications:

Approximate Maximum Heating Capacity (in square feet)*	800 to 2,250
Burn Rate (Pounds per Hour)**	1.7 to 5.5
Maximum Burn Time on Low Burn**	28 to 52 Hours
Hopper Capacity (based upon hopper extension position).....	48 to 89 Pounds

* Heating capacity will vary depending on the home's floor plan, degree of insulation, and the outside temperature. It is also affected by the fuel size, quality, and moisture level.

** Small pellets will increase or decrease the stated burn rates and burn times. Differences of plus or minus 20% depending on fuel quality may occur.

Dimensions:



Electrical Specifications:

Electrical Rating.....	115 Volts, 3.6 Amps, 60 Hz
Watts During Start-Up Sequence	400 (approximately)
Watts During Operation	180 (approximately)

Fuel:

- This heater is designed and approved for pelletized wood fuel or a mixture up to 50% corn, 50% pellets. See page 23 for details on using a corn pellet mix.

EPA Compliance:

This heater is EPA exempt from Phase II requirements, but has been tested for emissions using EPA test methods by OMNI Test Labs.

Before You Begin

READ THIS ENTIRE MANUAL BEFORE YOU INSTALL AND USE THIS HEATER. FAILURE TO FOLLOW THE INSTRUCTIONS MAY RESULT IN PROPERTY DAMAGE, BODILY INJURY, OR EVEN DEATH.

Check with local building officials for any permits required for installation of this pellet heater and notify your insurance company before proceeding with installation.

Packing List

- Thermostat & Wire
- Scraper Rod Tool
- Fuses (2)
- Fireplace Installation Sticker
- Brush
- Leveling Bolts (2)
- Control Board Screws
- Hopper Screws
- Double-Back Tape (for panels)

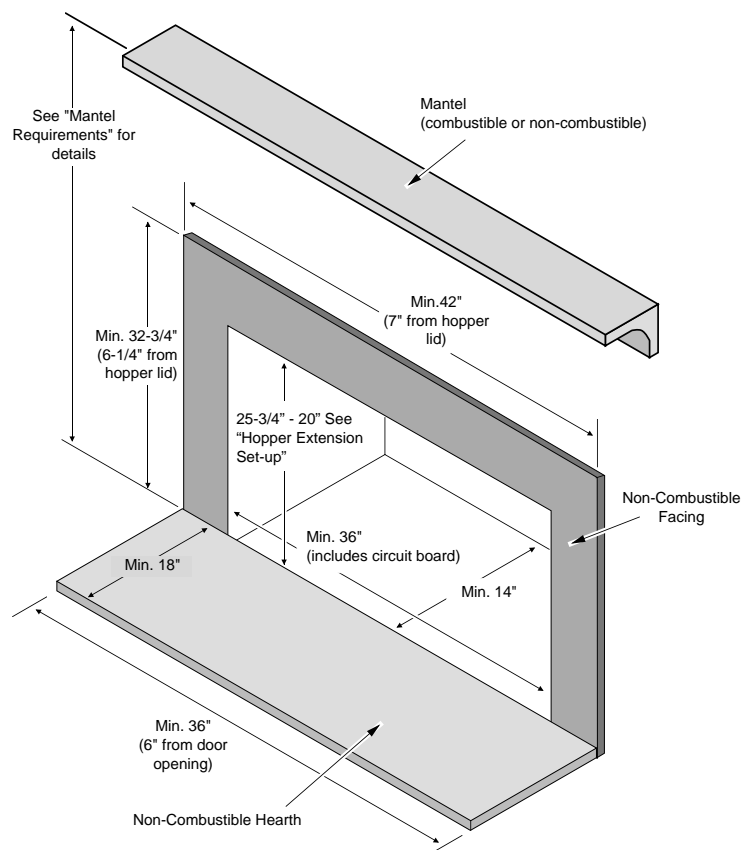
Installation Options:

- Masonry Fireplace
- Factory Built (Metal) Fireplace
- Outside Air Compatible

Planning The Installation

- Have an authorized Travis Industries dealer install this heater. If you install the heater yourself, have your dealer review your installation plans.
- Place the heater outside and load 10 pounds of pellets inside the hopper. Plug the heater in and let it run on HIGH until the pellets run out. This will cure the paint and burn off any oil on the steel, eliminating any smell inside the home.
- Inspect the chimney and clean as necessary before installing the heater. NOTE: The convection blower is open to the fireplace cavity and may circulate odors from the fireplace. You may wish to paint the interior of the fireplace with latex paint to prevent odors from entering the home.

Minimum Fireplace Size



Hopper Extension Set-up

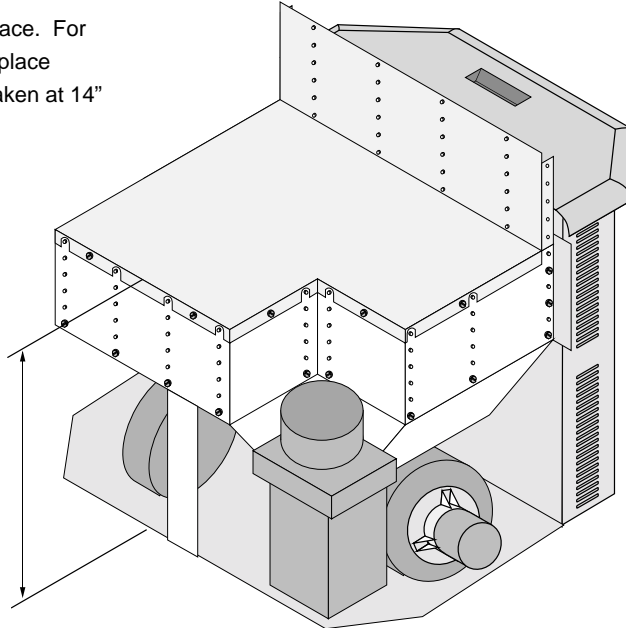
This pellet heater has a variable-height hopper. This allows the hopper to be lowered for smaller fireplaces. Follow the instructions below to set the correct hopper extension position.

- Determine the correct hopper extension position following the directions below.

The unit will extend 14" into the fireplace. For setting the hopper, the maximum fireplace opening measurements have to be taken at 14" into the fireplace.

Hopper Extension Position

A (highest position)	25-3/4"
B (next highest)	24-1/2"
C etc...	23-3/8"
D etc...	22-1/4"
E etc...	21-1/8"
F (lowest position)	20"

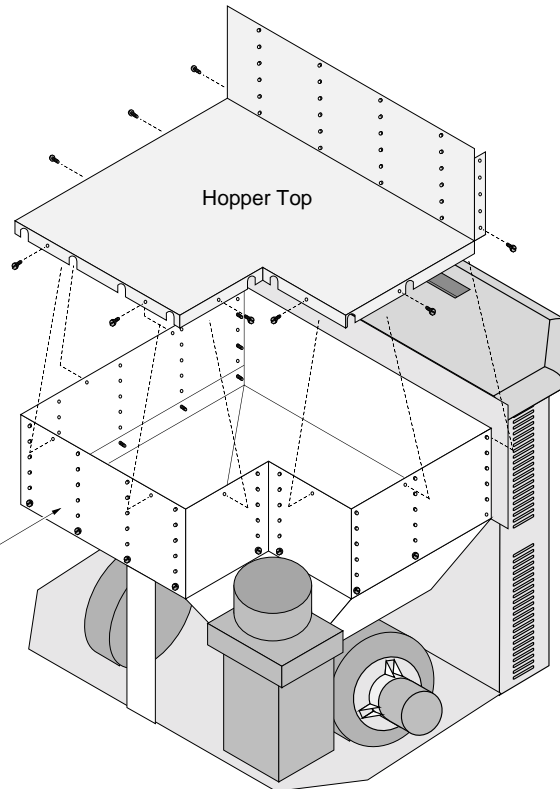


- Remove the hopper top following the directions below.

Remove the hopper top by removing the screws holding it in place.



NOTE: with the hopper top removed, the hopper walls may be removed.

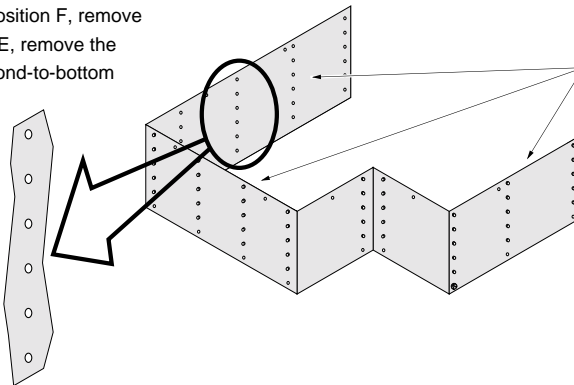


- Remove the hopper walls.

- Remove the correct knock-outs in the hopper walls following the directions below.

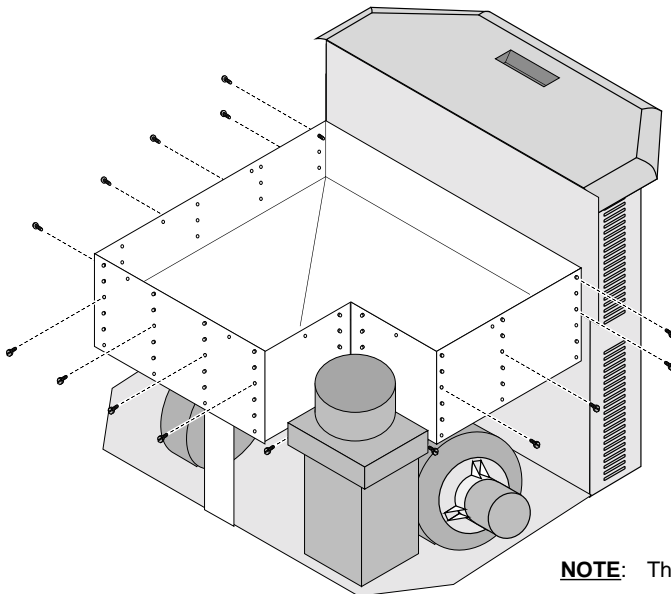
If you are using hopper extension position F, remove the top knock-out. If using position E, remove the second knock-out, (etc...). The second-to-bottom knock-out is position B.

- Position F Knock-Out
- Position E Knock-Out
- Position D Knock-Out
- Position C Knock-Out
- Position B Knock-Out
- Position A Knock-Out



Use a center-punch (or other suitable tool) to remove the appropriate knock-outs in the hopper walls (punch the holes out from the inside). Make sure to support the hopper walls while removing the knock-outs. There are 11 knock-outs for each position.

- Re-install the hopper walls following the directions below.

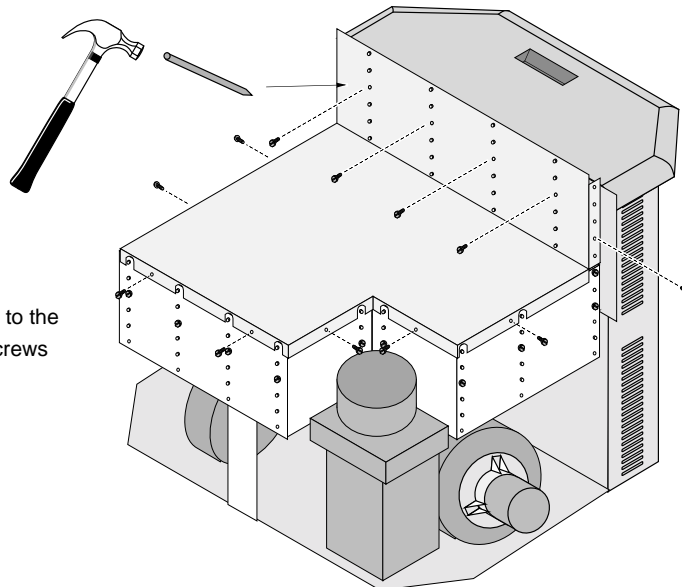


HINT: Attach one screw to each side to align the hopper walls. Then install the remaining screws.

NOTE: This hopper extension is in position D.

- Attach the hopper top following the directions below.

Before installing the hopper top, use a center-punch (or other suitable tool) to remove the appropriate knock-outs on the hopper top.



Re-attach the hopper top to the hopper walls using the screws included with the insert.

Clearances

- Insert must be placed so that no combustibles are within, or can swing within (e.g. drapes, doors), 36" of the front of the heater.
- Insert must be placed a minimum 8-3/4" from a side wall (or combustible protruding more than 3/4").

Mantel Requirements

- The mantel must meet the requirements shown in the illustration to the right.

Hearth Requirements

- The non-combustible hearth must extend 6" to the front and sides of the firebox opening (you must open the door to measure).

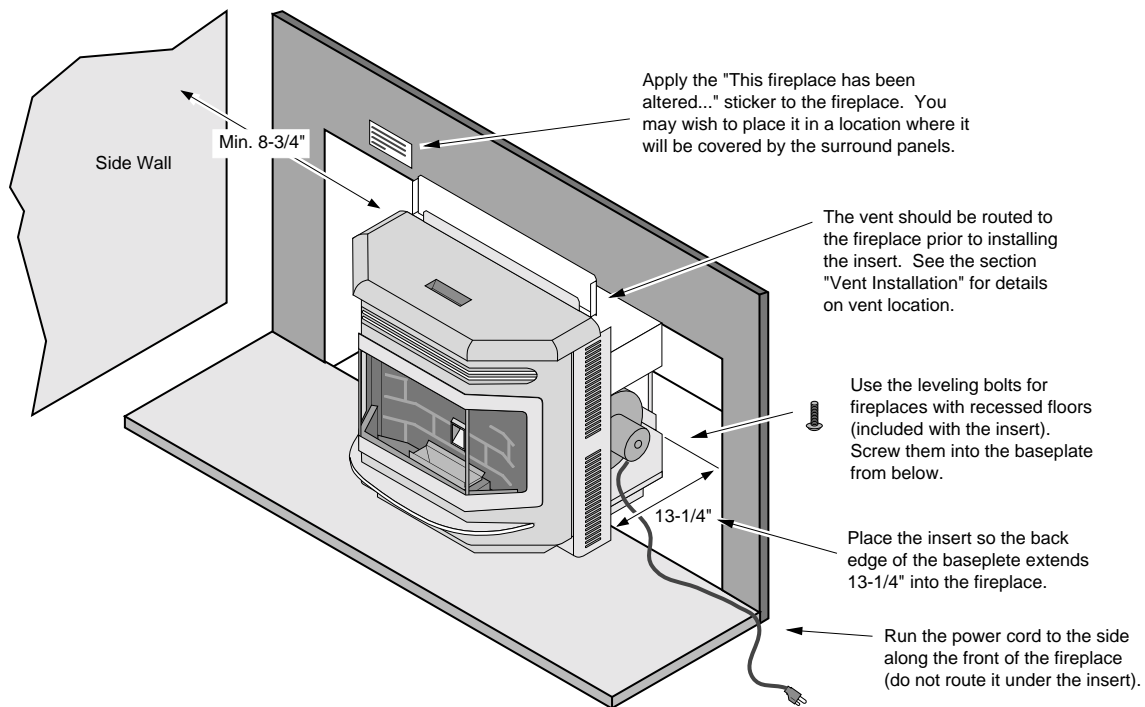
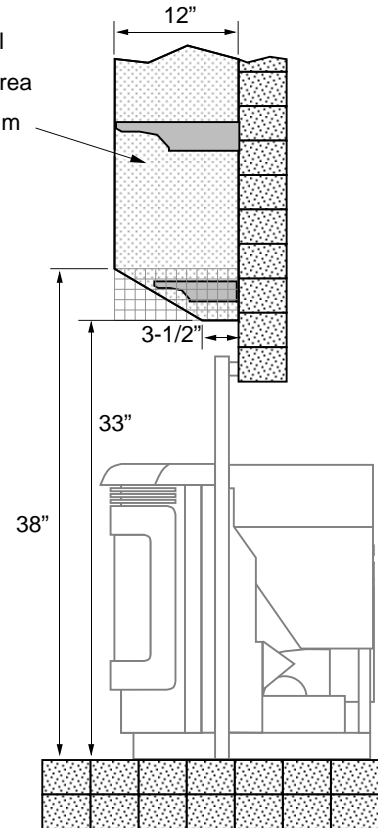
Facing Requirements

- The non-combustible facing must extend 7" to the side and 6" above the hopper lid.

Placing the Insert

- The insert must be placed within an undamaged masonry or factory built (metal) fireplace. Loose bricks or other damage must be fixed. Clean the fireplace before installing.

The mantel must fall within this shaded area (or above). Maximum mantel depth is 12".



Venting the Pellet Stove

- INSTALL VENT AT CLEARANCES SPECIFIED BY THE VENT MANUFACTURER).
- DO NOT CONNECT THE PELLET VENT TO A VENT SERVING ANY OTHER APPLIANCE OR STOVE.
- DO NOT INSTALL A FLUE DAMPER IN THE EXHAUST VENTING SYSTEM OF THIS UNIT.
- USE AN APPROVED WALL THIMBLE WHEN PASSING THE VENT THROUGH WALLS AND A CEILING SUPPORT/FIRE STOP SPACER WHEN PASSING THE VENT THROUGH CEILINGS (MAKE SURE TO MAINTAIN CLEARANCE TO ANY COMBUSTIBLES).

Maximum Venting Distance:

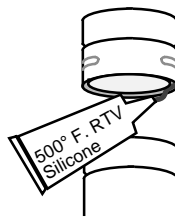
- Maximum venting height is 33' (maximum horizontal offset is 10')
- Use no more than 180° of elbows (two 90° elbows, or two 45° & one 90° elbow, etc.).

Pellet Vent Type

- Must be Type "L" vent and/or Type "L" chimney liner.
- Use 4" diameter vent.

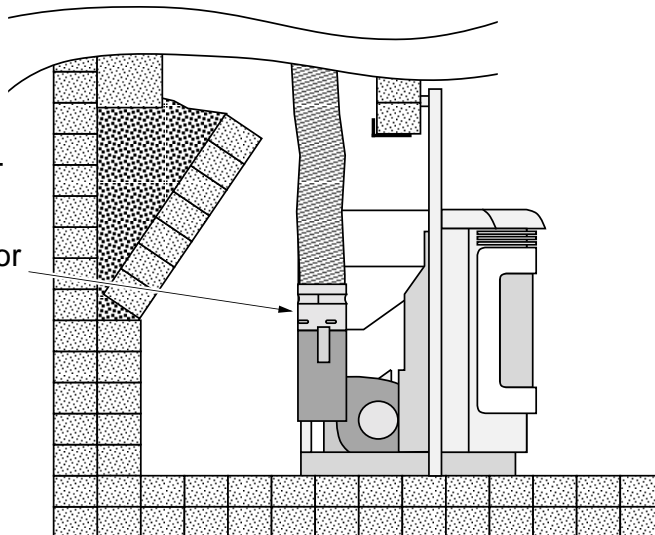
Installing the Pellet Vent

- Pellet vent connections must be sealed airtight with 500° F. RTV silicone and screwed together with at least three sheet metal screws.



Seal each vent section (including adapters, elbows, etc...) by injecting a liberal amount of 500° F. RTV silicone into the gap between sections.

The exhaust quick-connect can be removed to allow for installation and cleaning.



Pellet Vent Termination

- Termination must be a minimum 6" above the top of the chimney (NOTE: the chimney must meet local codes for height above the roof or other obstructions).
- Must have an approved cap (to prevent water from entering).
- Must not be located where it will become plugged by snow or other material.

Mobile Home Requirements

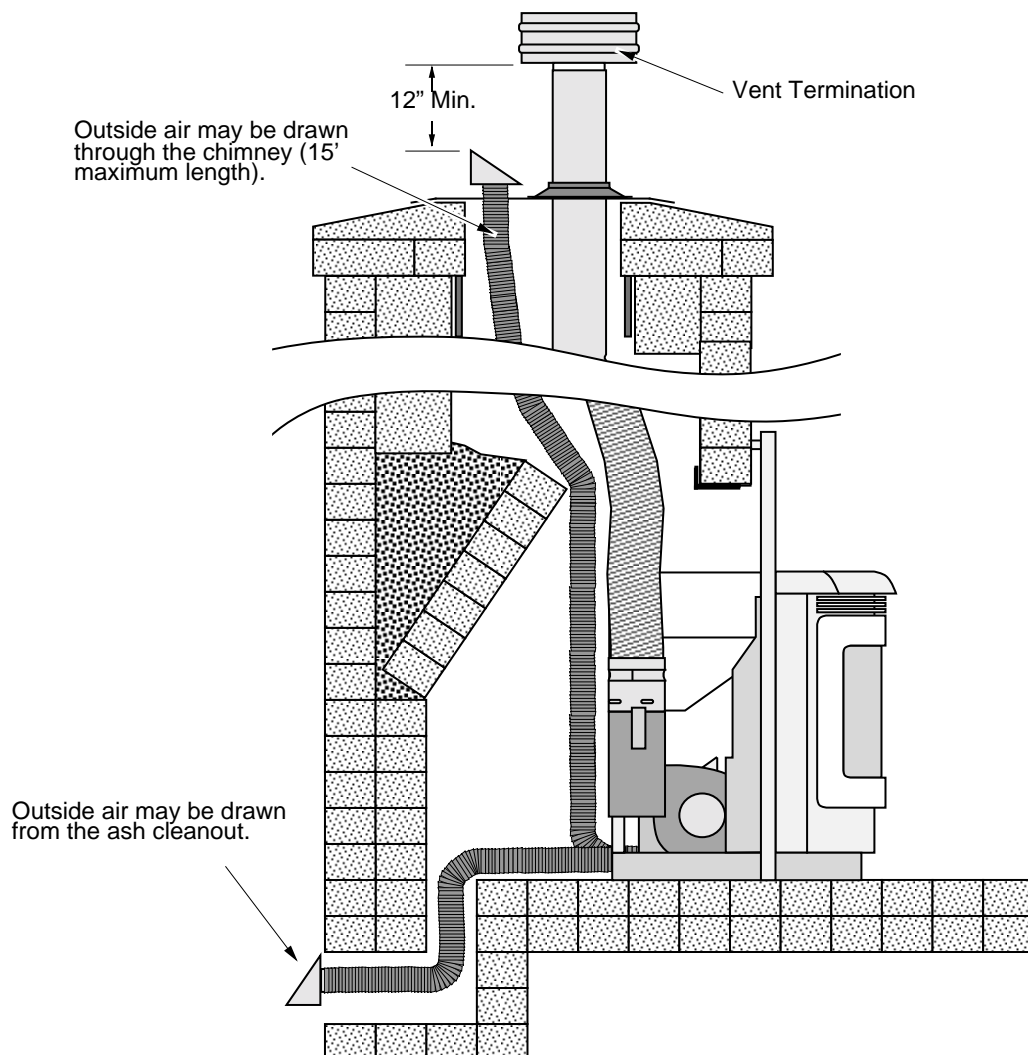
- Outside air is required (used for combustion) - see the directions below.

WARNING: DO NOT INSTALL IN SLEEPING ROOM.

CAUTION: THE STRUCTURAL INTEGRITY OF THE MANUFACTURED HOME FLOOR, WALL, AND CEILING/ROOF MUST BE MAINTAINED.

Outside Air (used for combustion)

- Outside air is optional (except in mobile homes or when required by local building codes).
- Must not be drawn from an enclosed space (garage, unventilated crawl space).
- Must not be over 15' long.
- Must be made with 1 3/4" diameter or larger metal or aluminum duct with a metal screen attached to the end to keep out rodents (P.V.C. or other combustible materials may not be used). Use the Travis Industries Outside Air Kit (part # 99200136).
- Must not terminate above or within 1' of the chimney termination.
- Must have a rain cap or down-turned elbow to prevent water from entering.
- Must be located so that it will not become plugged by snow or other material.



Baffle Installation

Install the baffles included with the insert (see page 28 for details).

Restrictor Adjustment

The restrictor is used to adjust airflow to the firepot. It should be adjusted to match the heat output setting and burn the pellets at the appropriate rate. This keeps the firepot as clean as possible.

For low heat output settings the restrictor will need to be closed or near closed to limit the amount of air. This prevents the stove from burning the pellet fuel faster than it is fed.

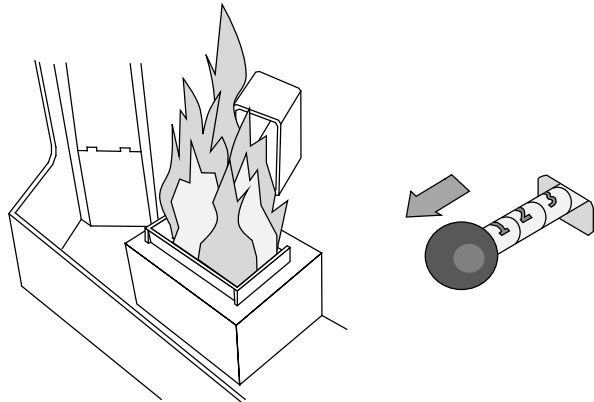
For medium heat output settings the restrictor will need to be opened to a medium position.

For high heat output settings the restrictor will need to be opened to a high position. This prevents the firepot from over-filling with pellets and becoming clogged with ash clumps.

Keeping your firepot clean is the most important step to maintaining a safe and efficient stove. Check and clean your firepot daily until you find the correct restrictor settings and appropriate firepot cleaning interval.

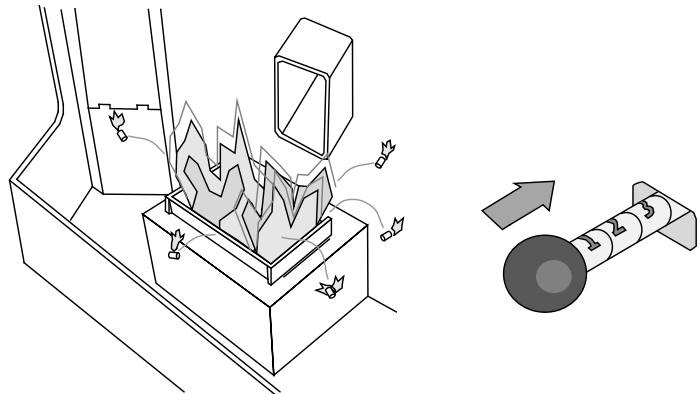
Not Enough Air

If clinkers (ashes that solidify into a clump) develop or the flame appears lazy and slow to blow the ash out of the firepot, pull the restrictor outward until the flame becomes active and the firepot holes remain clean. NOTE: If the restrictor is fully out, yet the firepot does not remain clean, the stove needs to be cleaned and checked for air leaks (see "Maintenance" section of this manual).



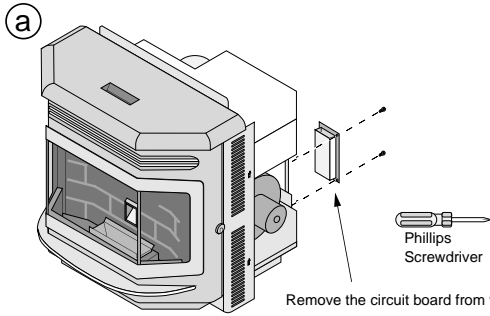
Too Much Air

If the flames are too active (small, flickering flames) or if burning pellets are expelled from the firepot, move the restrictor rod inwards until the flame slows down and no burning pellets are expelled (note: it is okay to have "glowing embers" jump out of the firepot). Another symptom of too much air is the heater "blowing the fire out" – a condition in which the pellets burn faster than they are fed (this is most common on low).



Surround Panel & Circuit Board Installation

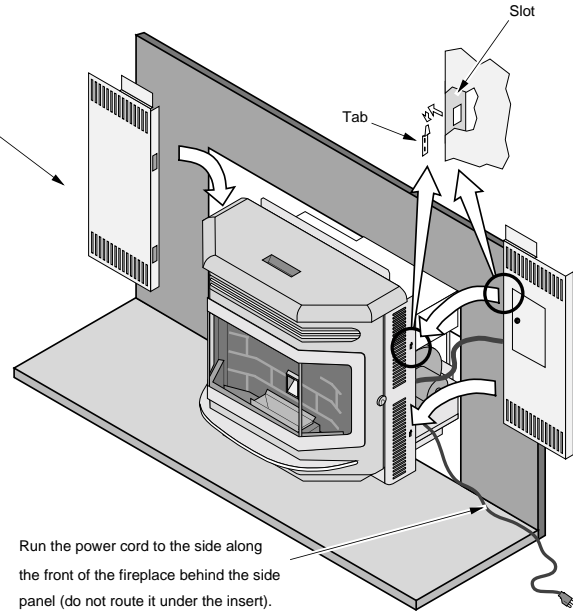
NOTE: Attach the vent prior to installing the surround panels (& circuit board).



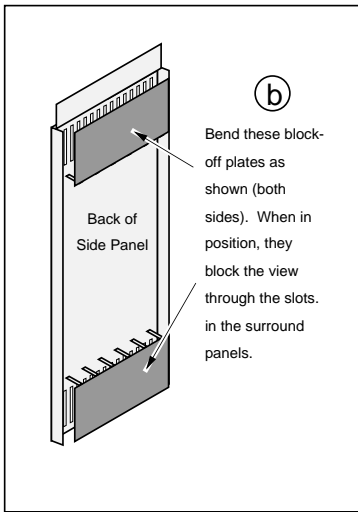
Remove the circuit board from the rear hopper support. Disconnect the wiring harness from the circuit board (see step "d" below for a detailed view).

NOTE: When in place, the panels maintain a 3/8" gap around the fireplace.

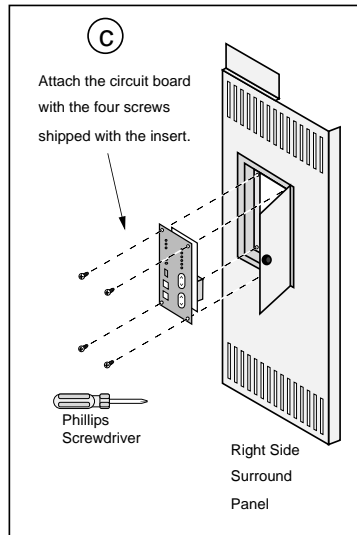
(e) Attach the surround panels to the insert by sliding the slots on each panel over the tabs on the side of the insert.



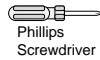
Run the power cord to the side along the front of the fireplace behind the side panel (do not route it under the insert).



(b) Bend these block-off plates as shown (both sides). When in position, they block the view through the slots in the surround panels.

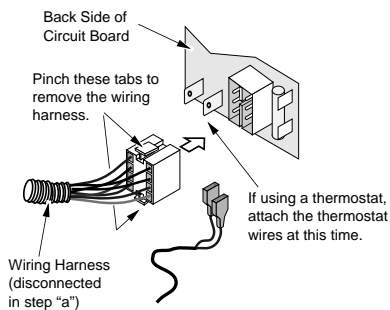


(c) Attach the circuit board with the four screws shipped with the insert.



Right Side Surround Panel

(d) Place the right side surround panel near the insert and attach the wiring harness to the circuit board.



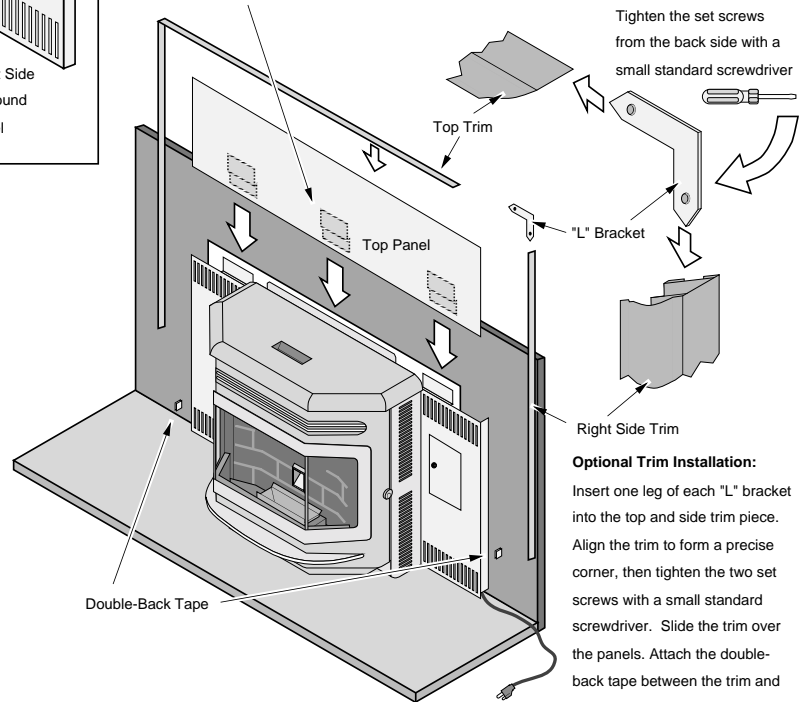
Back Side of Circuit Board

Pinch these tabs to remove the wiring harness.

If using a thermostat, attach the thermostat wires at this time.

Wiring Harness (disconnected in step "a")

(f) Install the top panel so the joggle clips slide over the tabs on top of the side panels and insert.



Tighten the set screws from the back side with a small standard screwdriver.

Top Trim

Top Panel

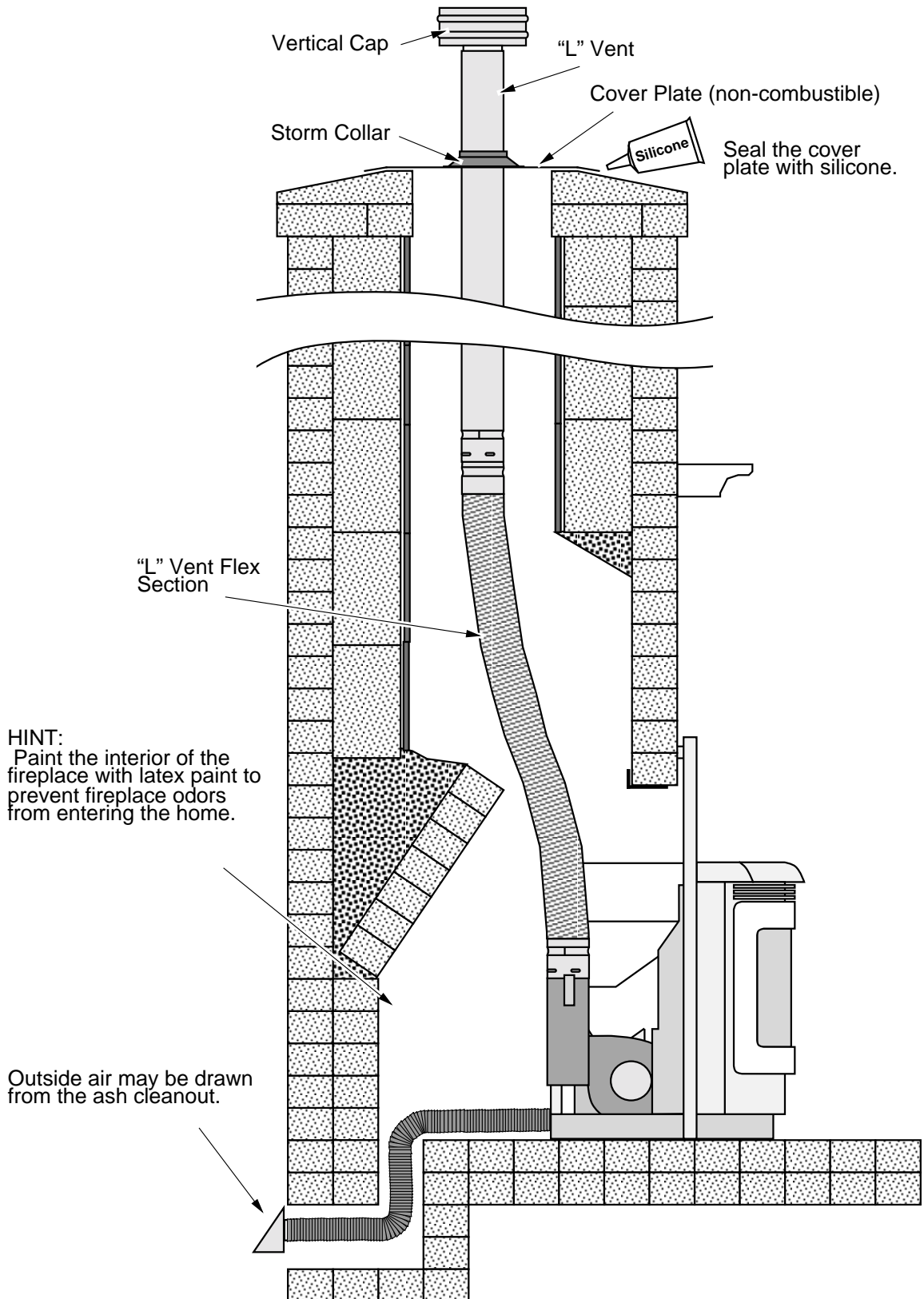
"L" Bracket

Right Side Trim

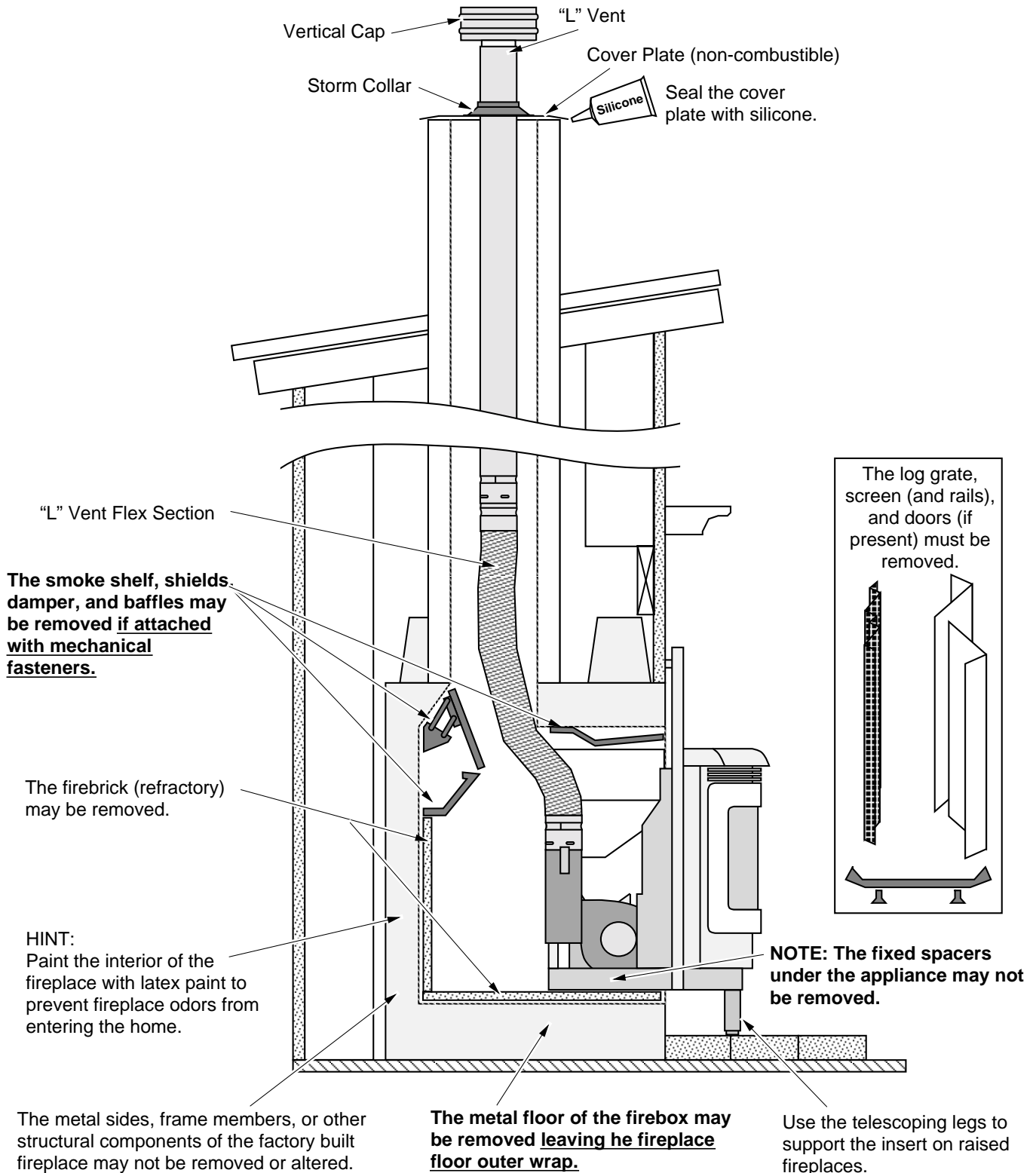
Double-Back Tape

Optional Trim Installation: Insert one leg of each "L" bracket into the top and side trim piece. Align the trim to form a precise corner, then tighten the two set screws with a small standard screwdriver. Slide the trim over the panels. Attach the double-back tape between the trim and panels at the bottom corners. This keeps the trim tight against

Installation into a Masonry Fireplace



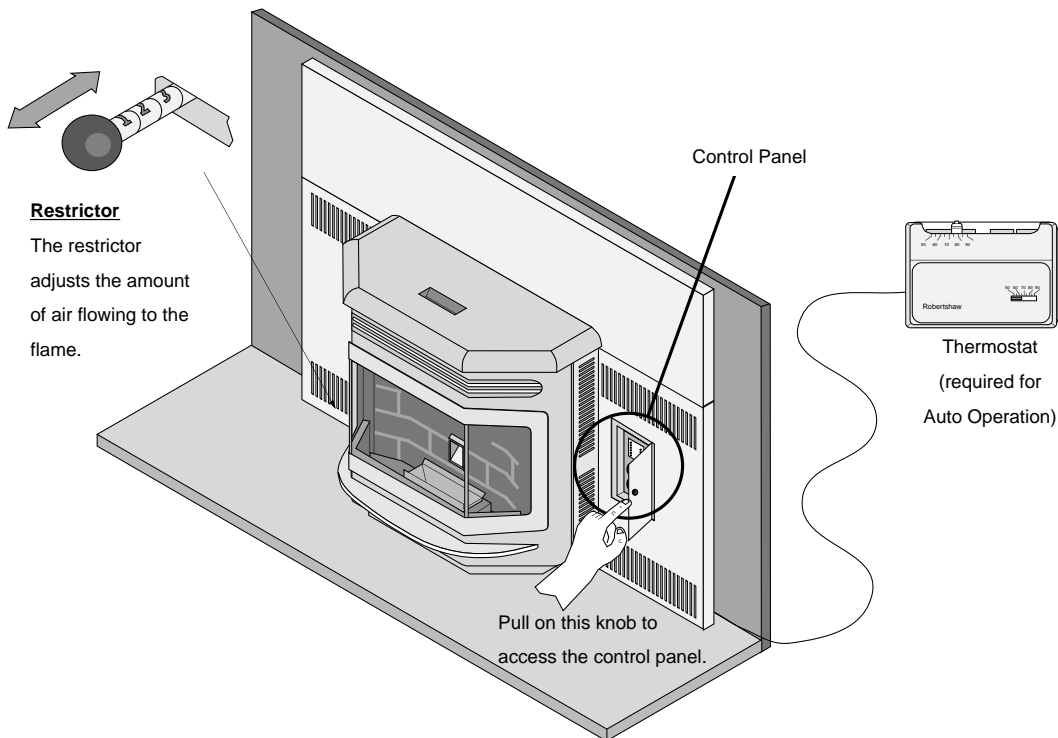
Installation into a Factory Built (Metal) Fireplace



Safety Notice

- Read this entire manual (especially the "Safety Precautions" on pages 4 and 5) before using this heater. Failure to follow the instructions may result in property damage, bodily injury, or even death.
- Do not unplug the heater to turn it off. This heater relies upon electricity to push the flue gases out the pellet vent – unplugging it may lead to smoke entering your room.
- Failure to maintain your heater will lead to a restricted combustion air system, leading to poor performance and in some cases, smoke spillage into the room. See the "Maintenance" section for details.

Location of Controls



Starting the Heater for the First Time

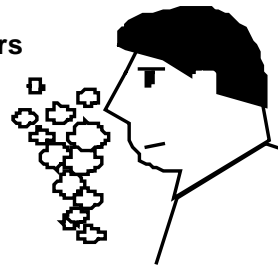
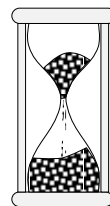
Start the Heater - Let it Burn for 1 Hour - THEN OPEN THE DOOR

The stove paint is cured through heat. To prevent it from bonding to the door gasket, you must burn the heater for approximately 1 hour, then open and close the door to break any bonding.

Curing the Paint

This stove uses a heat-activated paint that will emit some fumes while starting the first fire. Open doors and windows to the room to vent these fumes. You may also notice oil burning off of the interior of the stove. This rust-stopping agent will soon dissipate.

2 to 4 hours

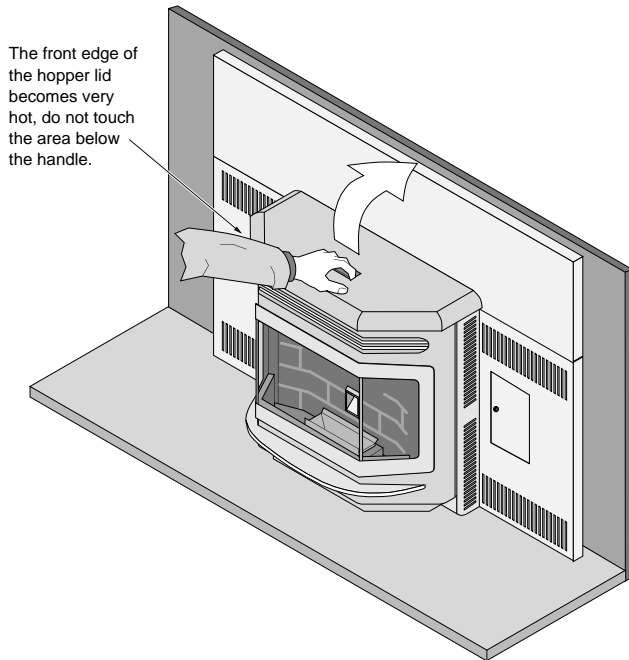


Priming the Auger

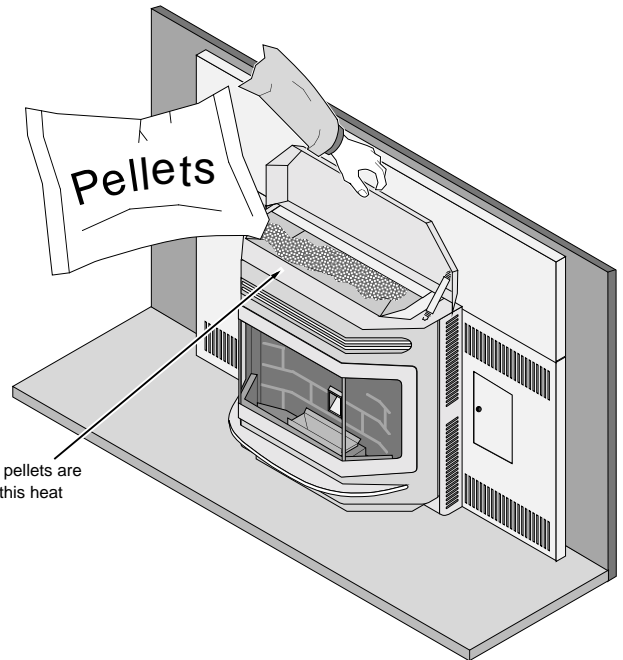
Because of its electronic control panel, this stove does not require priming. If you run out of pellets you may notice it will take approximately 5 minutes longer for the stove to start.

Loading Pellets

Lift the hopper lid to its vertical position. Pour pellets into the hopper until full. NOTE: The hopper holds approximately 48 to 88 pounds of pellets (depending upon hopper set-up).



The front edge of the hopper lid becomes very hot, do not touch the area below the handle.



Make sure pellets are not left on this heat shield.

The Two Modes of Operation:

Manual

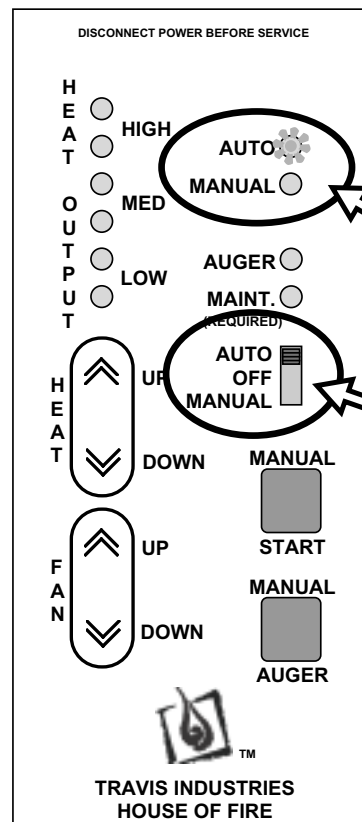
Manual mode requires the user to turn the heater on and off manually.

Auto (requires a thermostat)

Auto mode allows you to use a thermostat to control room temperature. The stove automatically turns on when the temperature drops below the thermostat setting. Once the stove reaches operating temperature, the stove then runs at the heat output setting selected.

Switching Modes While in Operation

Whenever the stove is switched from one mode to another while in operation, the stove will enter the "start-up" sequence for a minimum of 20 minutes.



These indicator lights are used to determine which mode you are in.

Use the mode switch to determine the mode.

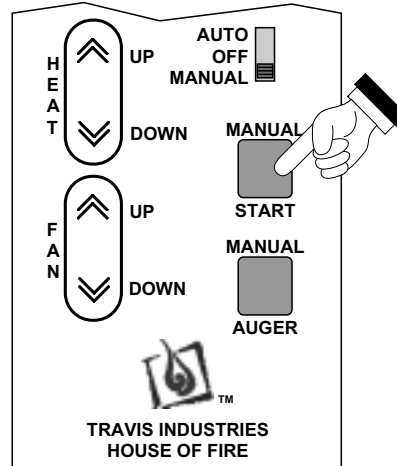
Manual Mode

Manual mode requires the user to turn the heater on and off manually.

To Start

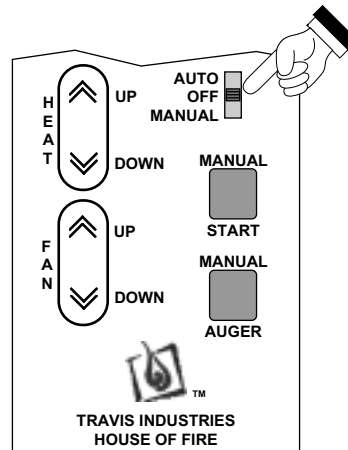
Press the "Manual Start" button. That's it. The stove automatically goes to a medium burn rate and high fan while the igniter starts the fire burning within 10 minutes. During this period the lowest "HEAT OUTPUT" light will flash. If the stove does not start in 30 minutes, the stove turns off.

Once up to temperature, the stove will then run at the heat output setting selected on the control panel (see "To Adjust the Heat" below).



To Shut Down

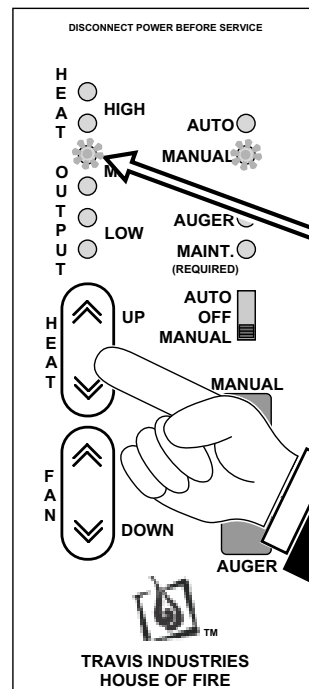
Move the mode switch to "OFF". The exhaust blower will still run until the heater cools down.



To Adjust the Heat

Press the "Heat" buttons to adjust the heat output.

NOTE: During start-up you may adjust the heat setting. This heat setting will take affect once the start-up sequence is complete.



These lights indicate the heat output setting.

NOTE: the lights may be difficult to see from an angle.

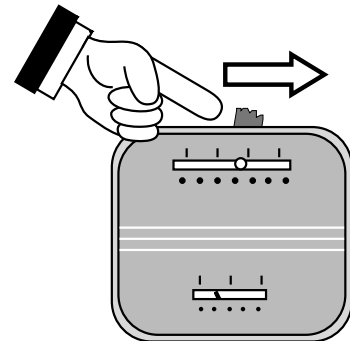
Press the "up" or "down" button to adjust the heat output.

Auto Mode

Auto mode allows you to use a thermostat to control room temperature. The stove automatically turns on when the temperature drops below the thermostat setting. Once the stove reaches operating temperature, the stove then runs at the heat output setting selected.

To Adjust Room Temperature (or Start the Stove)

Move the thermostat to the heat setting desired. If the room is cooler than the setting, the stove will go through the start-up sequence for approximately 10 minutes. During this period the lowest "HEAT OUTPUT" light will flash. Once up to temperature, the stove will then run at the heat output setting selected on the control panel. If the room is too hot, move the thermostat to a lesser setting.



To Adjust the Heat

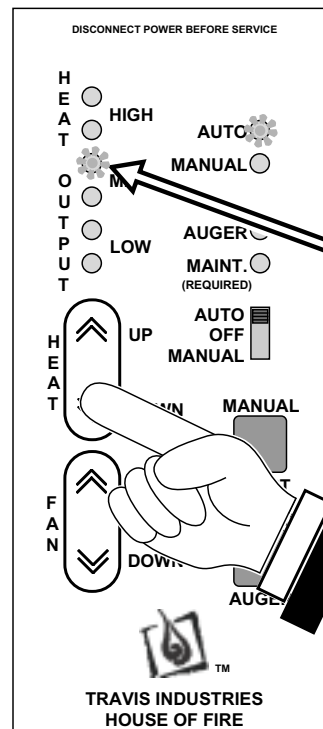
Press the "Heat" buttons to adjust the heat output.

HINT:

If you find that the stove turns on and off repeatedly, you may wish to turn the heat output to a lesser setting. The lower setting will provide a more consistent heat output over time, eliminating the need for the thermostat to repeatedly turn the stove off.

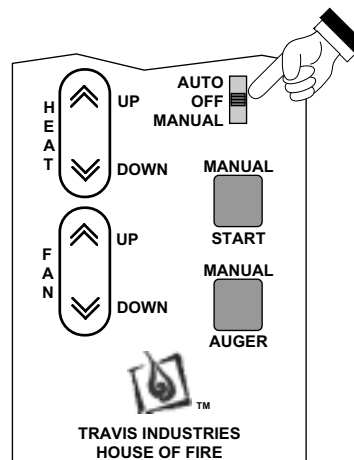
NOTE:

If the thermostat calls for heat while the stove is still cooling down, the stove will go through the start-up sequence (for a minimum of 20 minutes).



To Shut Down

Move the mode switch to "OFF". The exhaust blower will still run until the heater cools down.



Restrictor Adjustment

The restrictor is used to adjust airflow to the firepot. It should be adjusted to match the heat output setting and burn the pellets at the appropriate rate. This keeps the firepot as clean as possible.

For low heat output settings the restrictor will need to be closed or near closed to limit the amount of air. This prevents the stove from burning the pellet fuel faster than it is fed.

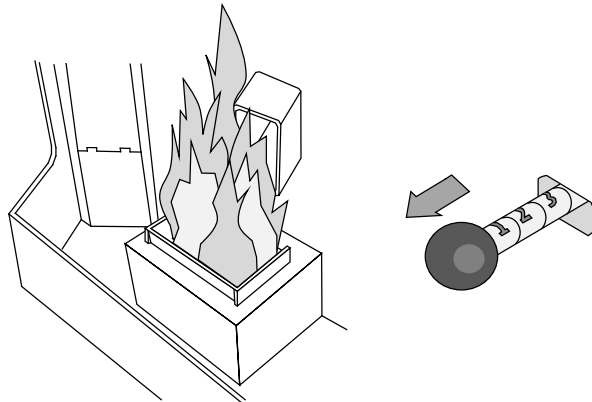
For medium heat output settings the restrictor will need to be opened to a medium position.

For high heat output settings the restrictor will need to be opened to a high position. This prevents the firepot from over-filling with pellets and becoming clogged with ash clumps.

Keeping your firepot clean is the most important step to maintaining a safe and efficient stove. Check and clean your firepot daily until you find the correct restrictor settings and appropriate firepot cleaning interval.

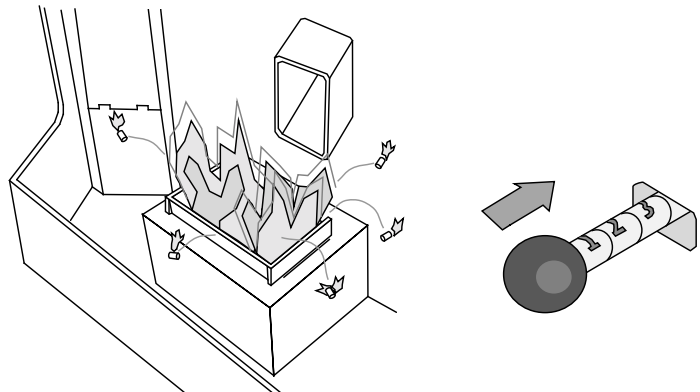
Not Enough Air

If clinkers (ashes that solidify into a clump) develop or the flame appears lazy and slow to blow the ash out of the firepot, pull the restrictor outward until the flame becomes active and the firepot holes remain clean. NOTE: If the restrictor is fully out, yet the firepot does not remain clean, the stove needs to be cleaned and checked for air leaks (see "Maintenance" section of this manual).

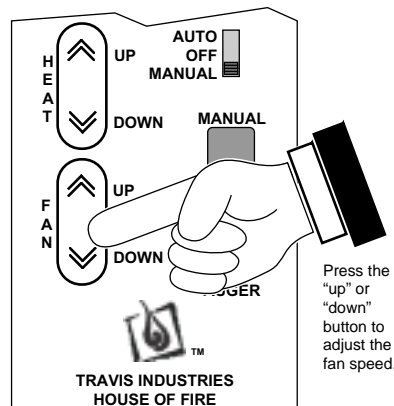


Too Much Air

If the flames are too active (small, flickering flames) or if burning pellets are expelled from the firepot, move the restrictor rod inwards until the flame slows down and no burning pellets are expelled (note: it is okay to have "glowing embers" jump out of the firepot). Another symptom of too much air is the heater "blowing the fire out" – a condition in which the pellets burn faster than they are fed (this is most common on low).



Adjusting the Fan Speed



Start-Up Sequence

This stove utilizes a start-up sequence whenever the mode switch is changed or the heater is started when cold. This is to ensure proper operation through all possible settings and operational states (hot or cold, pellets burning or not burning, etc.). This sequence over-rides all user settings (except the "OFF" position) to set the auger feed rate to medium, the exhaust blower to high, and the igniter on. During this period the lowest "HEAT OUTPUT" light will flash.

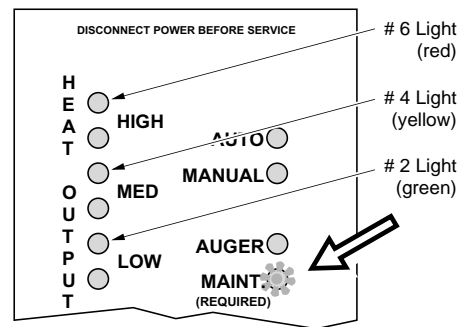
"AUGER ON" Light

This light comes on when the auger is turning, allowing the operator to know when the auger is turning.

"MAINTENANCE REQUIRED" Light

NOTE: If the "MAINTENANCE REQUIRED" light comes on, check the items below **before calling for service.**

The "MAINTENANCE REQUIRED" light is used to indicate maintenance is required on the heater. It will turn on due to various operating circumstances. When it turns on, a second light will turn on near "HEAT OUTPUT" (see the illustration to the right). Determine the maintenance code (2, 4, or 6), then use the chart below to diagnose and remedy the situation.



Light	Likely Cause	Remedy
2 (green)	<ul style="list-style-type: none"> • Heavy Ash Build-Up in Exhaust Duct • Heavy Ash Build-Up in Exhaust Housing or Plugged Tubing • Heavy Ash Build-Up in Vent 	<ul style="list-style-type: none"> • Clean the Firebox (see page 30) • Clean the Exhaust Housing & Tubing (see page 31) • Clean the Vent (see page 31)
4 (yellow)	<ul style="list-style-type: none"> • Heater Ran Out of Pellets • Heater Did Not Start-Up Correctly • Power Outage • Restrictor Not Set Properly • Burnpot Clogged • Air Leak • Heavy Ash Build-Up 	<ul style="list-style-type: none"> • Refill the Hopper (see page 18) • Re-Start the Heater and Verify the Pellets Ignite after 10 Minutes • Re-Start the Heater (see page 17) • Re-Start the Heater and Monitor Restrictor Setting (see page 21) • Clean Burnpot (see page 25) • Verify Door, Glass, and Ashpan Seal Correctly (see page 32) • Clean the Firebox (see page 30), Exhaust Housing (see page 31), and Vent (see page 31)
6 (red)	<ul style="list-style-type: none"> • Electrical Input Error (voltage or mhz fluctuation, amp deficiency, etc.) • Components Over-Heated • Faulty Wiring / System Fault 	<ul style="list-style-type: none"> • Unplug the Heater then Plug it Back In (this restarts the circuit board) • Clean the Heater and Vent (a plugged heater will slow exhaust flow, increasing temperatures – see pages 30-31) • If this Fault Persists, Contact Your Dealer

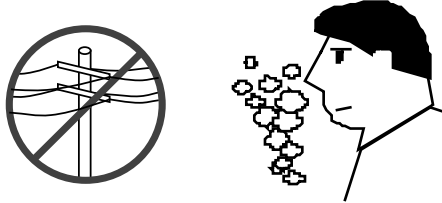
"MANUAL AUGER" Button

This button turns the auger on. It is used to "prime" the auger after the hopper has run out of pellets.

Power Outages

If a sustained power outage occurs while in "Manual", the heater will go to a "cool down" mode to vacate smoke once power returns. If the power outage was short, the heater will go to the start-up sequence. If in "Auto", the heater will re-start (if the room is cool).

- ! Because this heater relies upon a blower to evacuate the smoke, some smoke may enter the home during a power outage. To keep to a minimum, leave the door closed.



Using a Pellet/Corn Mix with This Heater

This heater may burn a mixture of corn and wood pellets up to a 50% - 50% proportion by volume. Shelled corn burned in Travis pellet appliances must be clean (free of husk and cob residue) and have a moisture content no greater than 15%.

DO NOT BURN A MIX WITH MORE THAN 50% CORN TO WOOD PELLETS.
THOROUGHLY MIX THE TWO FUELS TOGETHER TO BE SURE OF AN
EVEN BURN RATE.

- If combustion is slow, if the fire is slow to start, or if clinkers (ashes that solidify into a clump) build up rapidly in the fire pot, decrease the proportion of corn and increase the proportion of wood pellets until you find a proportion that works well in your appliance.
- If your stove or insert is operated with a thermostat, you may notice the automatic igniter at times fails to light a 50/50 corn to pellet mix. If you experience this, decrease the proportion of corn and increase the proportion of wood pellets in the mix.

For an optimum fire and greatest efficiency, it is important to keep the fire pot free of built up ashes. If you are burning only high quality wood pellets, you should check and clean the fire pot at least every two weeks or after ten bags of pellets.

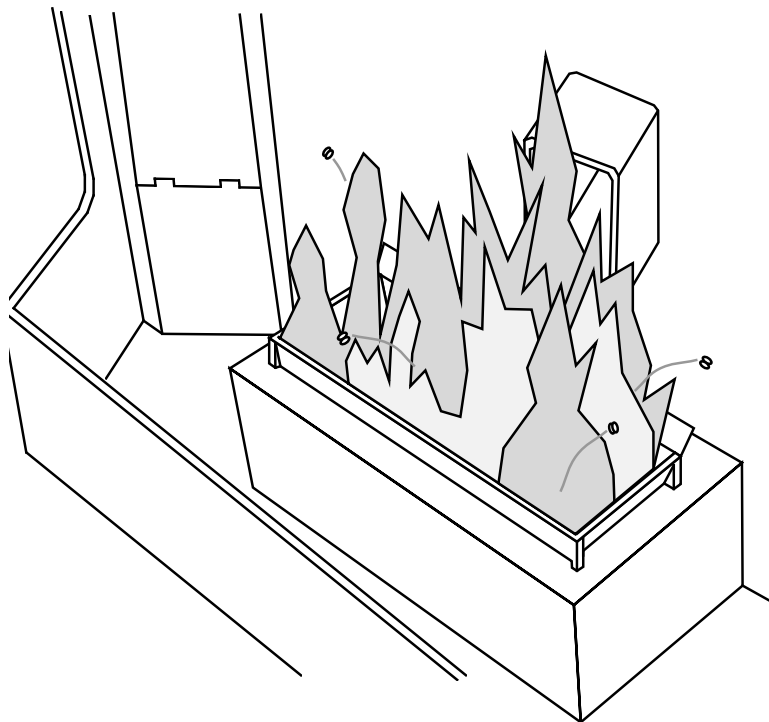
If the pellets you are burning have a high ash content or if you burn a corn/wood pellet mixture, we recommend that you check the fire pot every day and clean it if necessary.

Daily Maintenance (whenever using the heater)

Inspect the Burn

When burning on high, the flames should be bright orange with embers jumping from the firepot.

NOTE: the optimal restrictor position will vary over time as soot builds up inside the exhaust system. See "Restrictor Adjustment" for details.

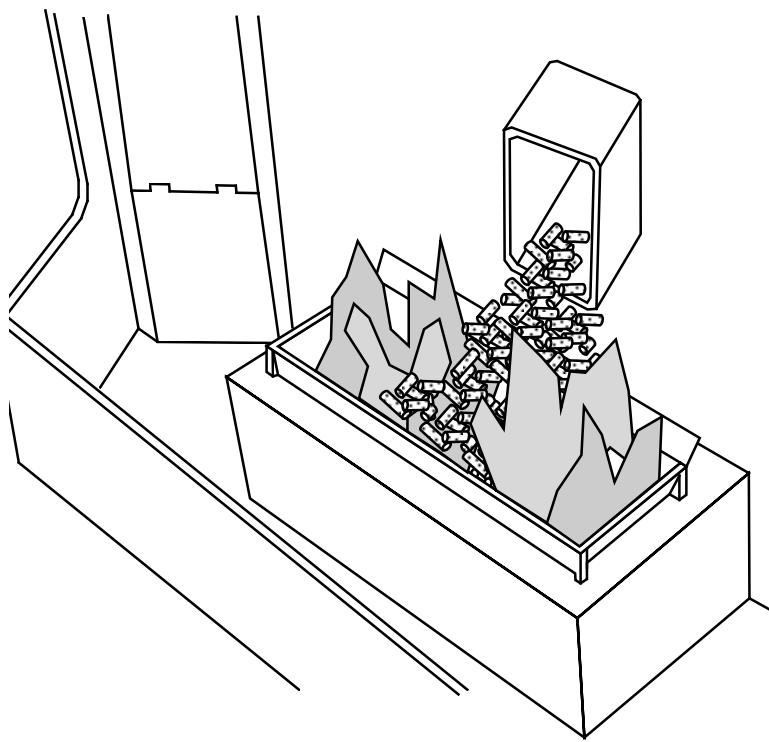


Make Sure Pellets are Not Piling Up

If the pellets pile up over the burn pot, turn the mode switch to "OFF".

The most likely causes are:

- Restrictor needs adjustment (see "Restrictor Adjustment" in the installation section of this manual)
- The door, glass, or ashpan is open or has an air leak
- The firepot requires cleaning
- The exhaust system requires cleaning



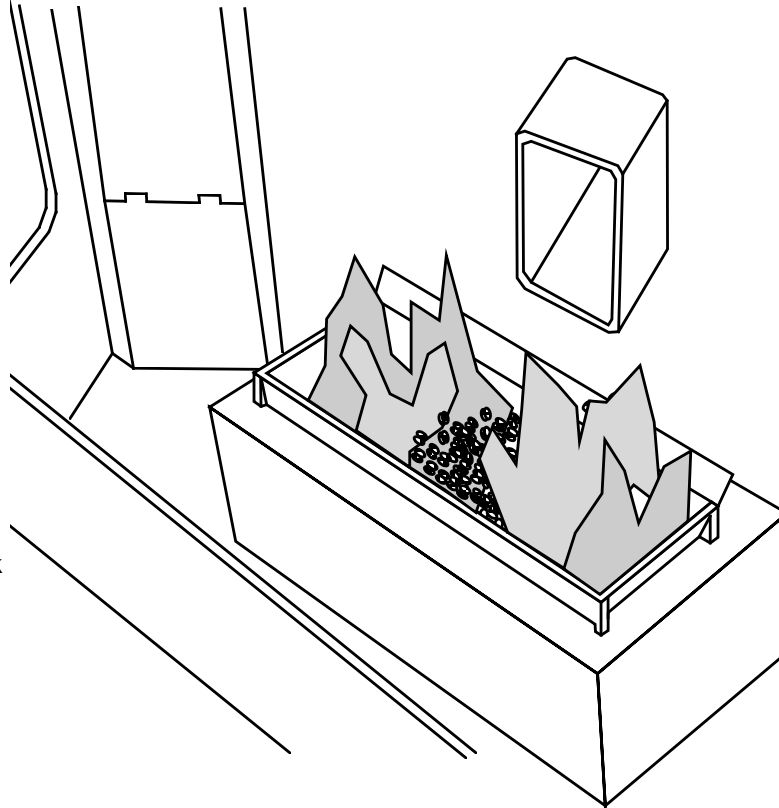
Daily Maintenance (whenever using the heater) - Continued

Check Firepot for Clinkers

If the flames seem to be coming only from the sides, or are orange/black, turn the heater off and check for clinkers.

The most likely causes are:

- Restrictor needs adjustment (see "Restrictor Adjustment" in the installation section of this manual)
- Poor pellet quality
- The door or glass has an air leak
- The exhaust system requires cleaning

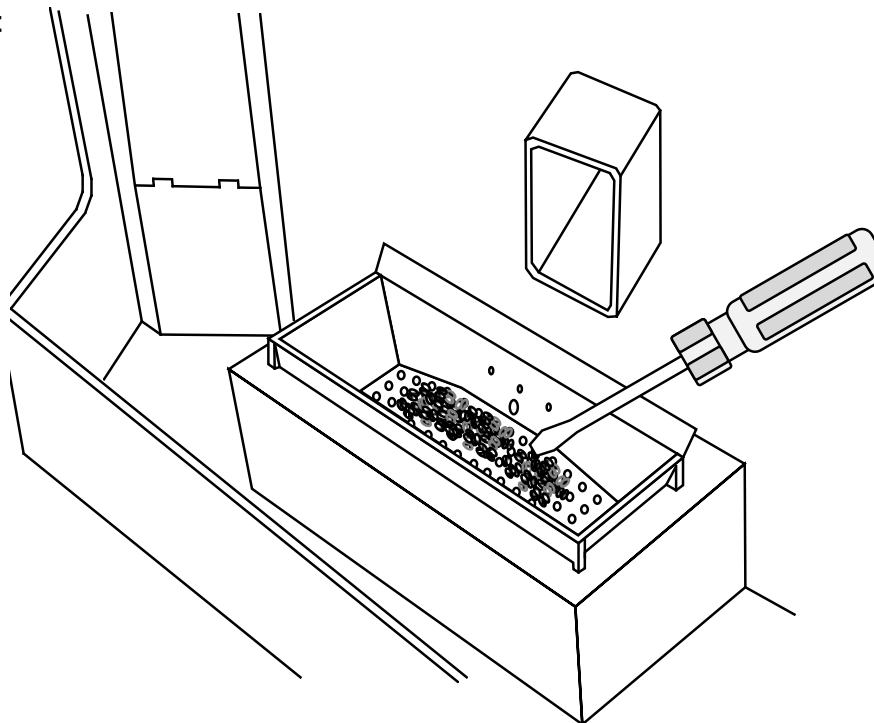


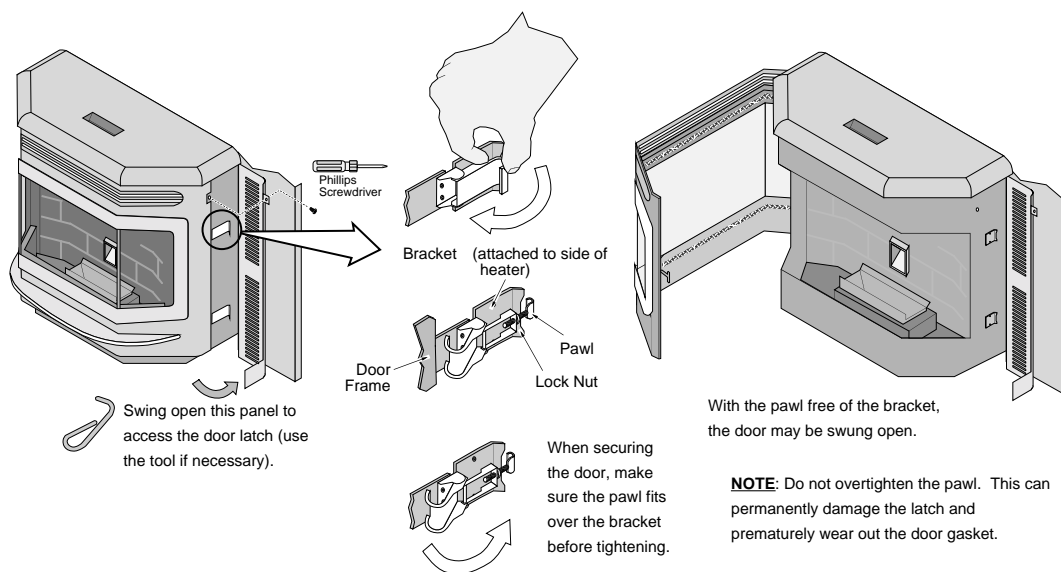
Cleaning the Firepot

WARNING:

Make sure the heater has fully cooled (approximately 25 minutes) before opening the door and conducting service.

To clean the firepot, open the door (see page 26) and knock away any debris on the firepot with a screwdriver. If severely clogged, remove the firepot to gain better access.

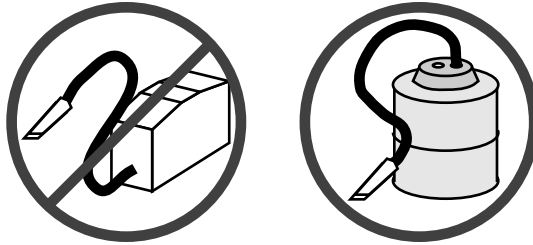


Daily Maintenance (whenever using the heater) - Continued**Opening The Door**

Weekly Maintenance (or every 5 bags of pellets)

Flyash Removal

This heater was designed to allow for easy flyash removal with the included tools. However, to ease maintenance, several pellet stove owners have purchased vacuums specifically made to remove flyash. Furthermore, some of these vacuums are heat-resistant to allow for flyash removal while it is still warm. **Do not use a standard vacuum on this appliance** (except to clean the pellet dust out of the hopper). Standard vacuums may spread the fine particles inside the flyash into the home and are not heat-resistant (hot flyash may cause the internal portion of vacuums to ignite).



Clean the Hopper

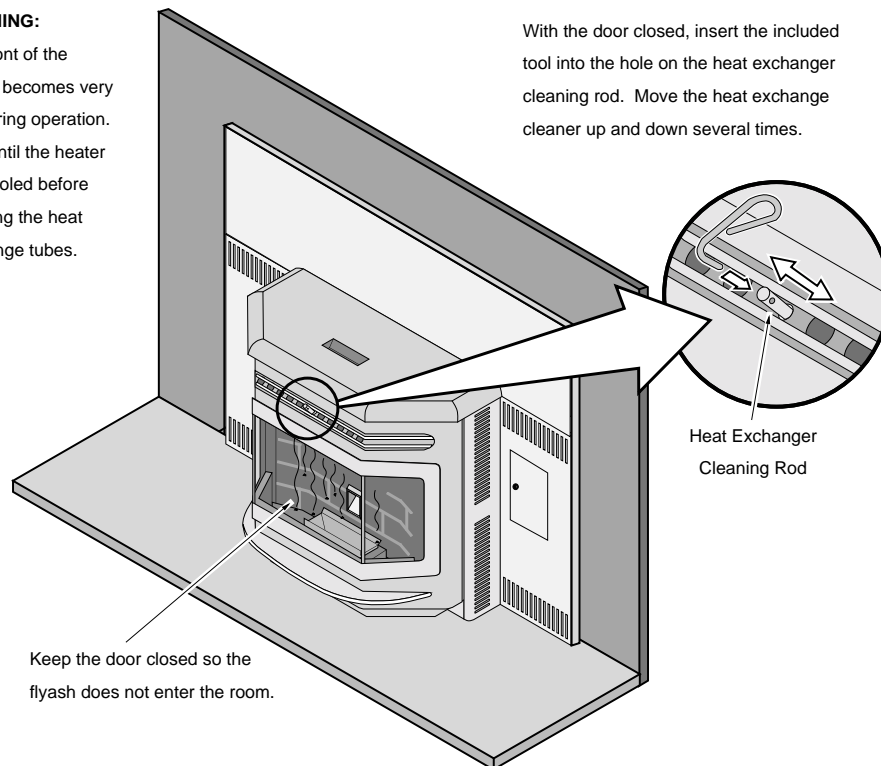
Run the stove until the pellets run out. Open the hopper and remove the dust and debris near the bottom of the hopper.

Clean the Heat Exchange Tubes

WARNING:

The front of the heater becomes very hot during operation. Wait until the heater has cooled before cleaning the heat exchange tubes.

With the door closed, insert the included tool into the hole on the heat exchanger cleaning rod. Move the heat exchange cleaner up and down several times.



Cleaning the Optional Plated Surfaces

Fingerprints or other marks left on the plated surfaces may become etched in place if they are not wiped clean prior to turning the stove on. Clean the surface with denatured alcohol and a soft cloth (make sure the heater is cool). Other cleaners may leave a film that may dull the finish.

Weekly Maintenance (or every 5 bags of pellets) - Continued

Check Baffles, Ashbox, Ashpan, Dispose Ash If Necessary

WARNING:

The front of the heater becomes very hot during operation. Let the heater cool completely before conducting service.

NOTE: The left baffle is larger than the right baffle.

BAFFLE INSTALLATION

The firebox baffles install on ledges at the top of the firebox. The two tabs (at the outside back corners) insert into notches at the right and left rear corners of the firebox walls.

Cleaning the Baffles

Use both hands to lift each baffle up and forward. Then tilt the baffle downwards to remove any flyash that may have accumulated on top of the baffle. **NOTE:** you do not need to remove the baffle from the firebox.

Ashbox

Removing the Ashbox

Use both hands to lift the ashbox up and away from the insert.

Air Tubes

The baffles install on ledges above the firebrick.

Firebrick

Removing the Ashpan

The ashpan slides out from under the firebox.

Ashpan

NOTE: When replacing the ash pan make sure it is pushed all the way in.

Disposal of Ashes – Ashes should be placed in a metal container with a tight fitting lid. The closed container of ashes should be placed on a non-combustible floor or on the ground, well away from all combustible materials, pending final disposal. If the ashes are disposed of by burial in soil or otherwise locally dispersed, they should be retained in the closed container until all cinders have been thoroughly cooled.

Clean the Glass

Open the door and clean the glass with a non-abrasive glass cleaner and rag. This will increase the amount of light and heat given off by the heater.

Weekly Maintenance (or every 5 bags of pellets) - Continued

Sweep Ash Into Ashpan

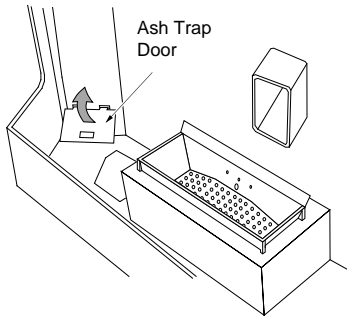
HINT: The more often you clean out the flyash, the more efficient your heater will burn.

NOTE: Remove the ashbox prior to conducting the service below.

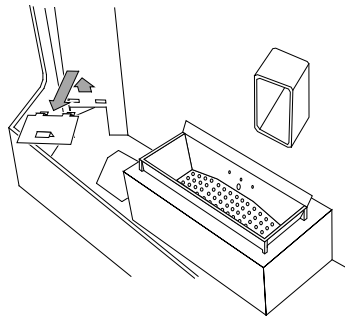
WARNING:

The firebox becomes very hot during operation. Let the stove cool completely before conducting service.

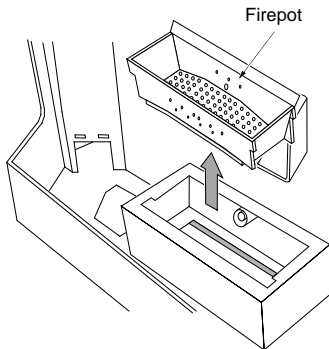
a Swing the side ash trap door up.



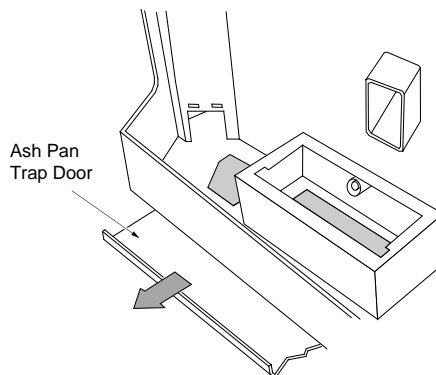
b Lift it up and away from the firebox. Repeat for the opposite side.



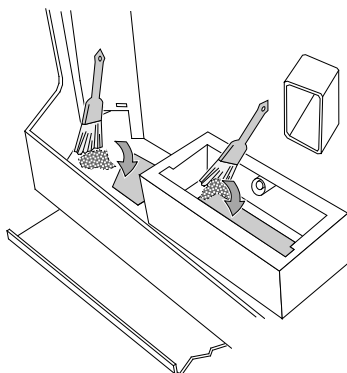
c Lift the firepot out of its holder.



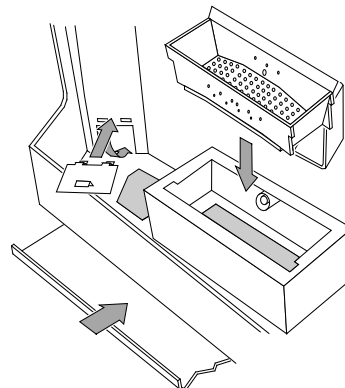
d Slide the ash pan trap door forward to expose the ash dumps (the door can be removed and cleaned if necessary)



e Brush all flyash into the ash dumps, including the flyash inside the firepot holder.



f Replace the ash trap doors and firepot. Slide the ash pan trap door forward.



HINT: To empty the ashpan, see the instructions on the previous page.

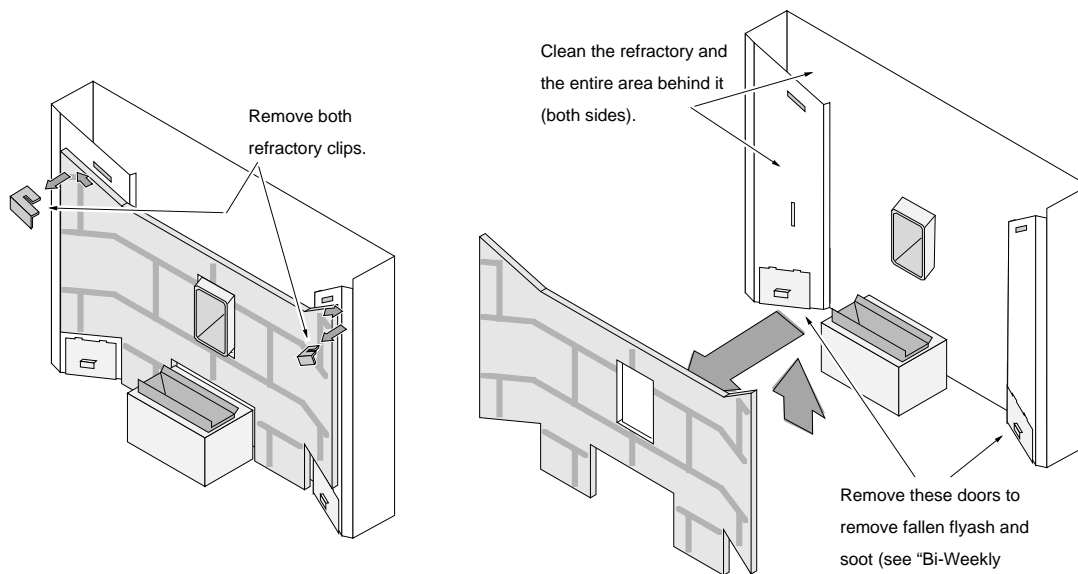
Yearly Maintenance (or every ton)

WARNING: Disconnect the power cord prior to conducting service.

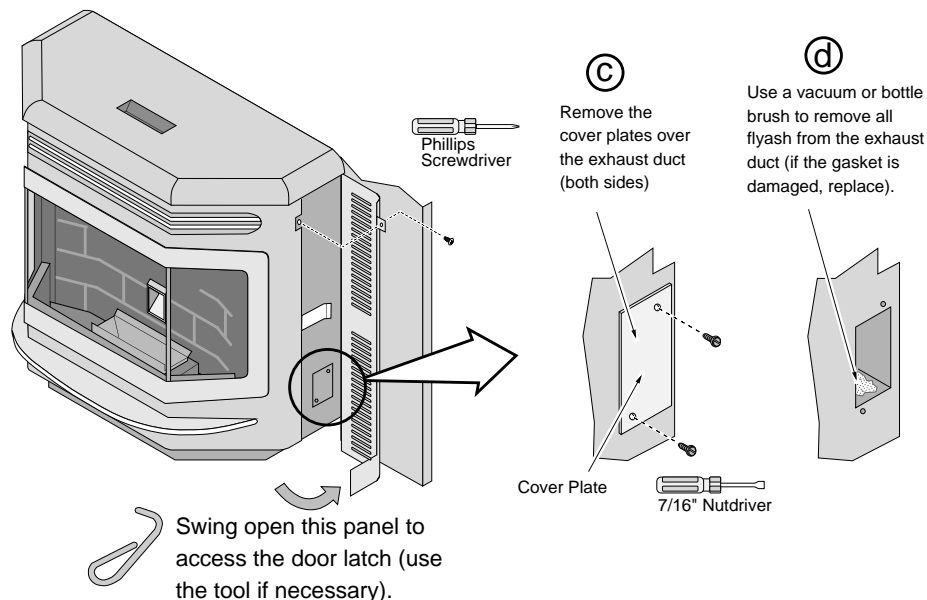
The following section details extensive maintenance procedures. We strongly suggest these items be carried out by a trained service technician, possibly by a service agreement set up with your dealer.

Soot and Flyash: Formation and Need for Removal – The products of combustion will contain small particles of flyash. The flyash will collect in the exhaust venting system and restrict the flow of the flue gases. Incomplete combustion, such as occurs during startup, shutdown, or incorrect operation of the room heater will lead to some soot formation which will collect in the exhaust venting system. The exhaust venting system should be inspected at least once every year to determine if cleaning is necessary.

Clean the Vertical Exhaust Duct (the stove must be cool and unplugged)



Clean the Exhaust Duct (make sure the heater is cool and unplugged)

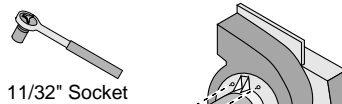


Yearly Maintenance (or every ton) - Continued

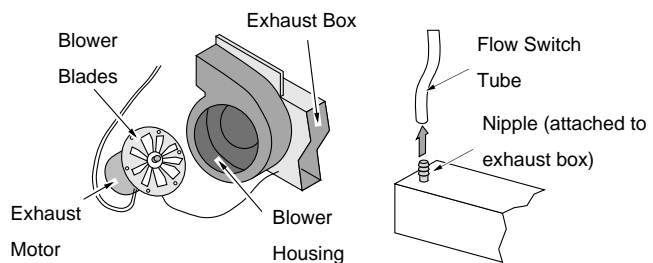
Clean the Exhaust Blower (make sure the heater is cool and unplugged)

- (a)** Remove the surround panels and access the left side of the heater. Remove the shroud covering the blower motor.

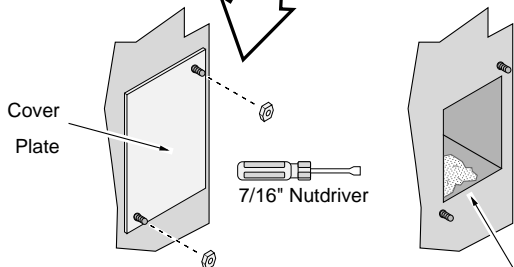
- (b)** Remove the six screws holding the exhaust blower motor in place.



- (c)** Pull the motor out (be careful not to damage the wiring or blades).



- (d)** Clean the blower blades, blower housing, and exhaust box. You may wish to use a vacuum to pull ash out of the vent system. When replacing the motor, take care to align the gasket (if it is damaged, replace). Check the nipple and flow switch tube. Insert a pipe cleaner through the nipple to dislodge any flyash. **NOTE:** The flow switch will shut off the auger if the tube becomes clogged or dislodged. Make sure it is cleaned out and correctly attached.

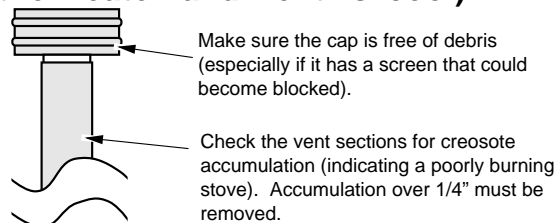


- (e)** Remove the cover plate over the

- (f)** Use a vacuum or bottle brush to remove all flyash from the exhaust duct (if the gasket on

- (g)** Clean the 1/2" air space beneath the unit (use a vacuum cleaner or brush).

Clean the Vent (make sure the heater and vent is cool)

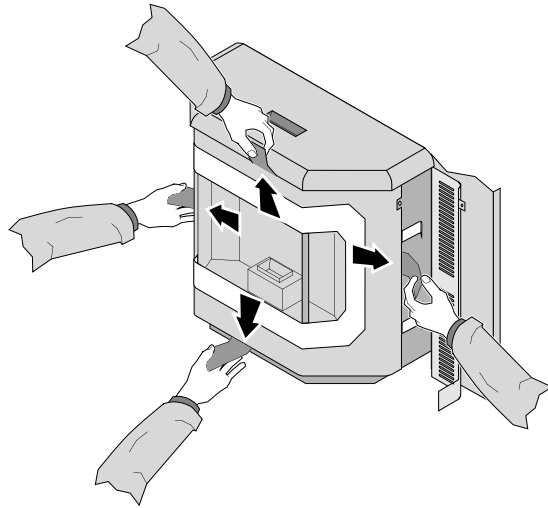


Warning: Whenever any portion of the pellet vent is disconnected, the joints must be sealed with RTV 500° F. silicone sealant.

Yearly Maintenance (or every ton) - Continued

Door Seal

- ! Air leaks into the firebox will decrease the stove's performance greatly, leading to excessive sooting, inefficient burning, and perhaps a malfunction.
- The door gasket must contact the entire perimeter of the door and create an airtight seal. To verify this, open the door, hold a dollar bill against the body of the heater, close the door, and secure the latch. The dollar bill should be held firmly in place (check the entire perimeter of the door. If it is loose or falls out, the door must be adjusted (see the following page).

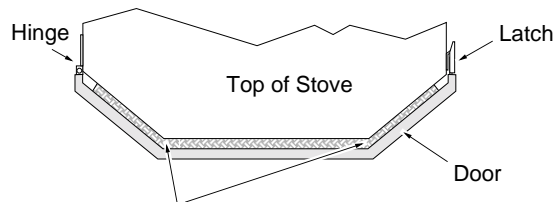


Correctly Aligned Door

When properly adjusted, the door should be evenly spaced from the front of the stove (and shut tight, compressing the gasket).

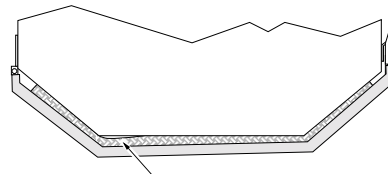
Door Alignment

Because the door is three-sided, it is crucial the door is aligned correctly. We recommend that you open the hopper lid and look down upon the door and body of the heater. Use the illustration to the right to determine the correct door alignment.



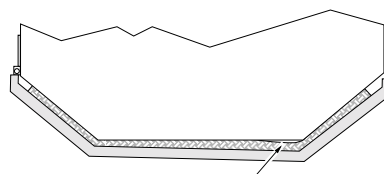
Note how both corners are evenly spaced.

Latch Too Tight - In the illustration below, the latch is too tight (this is the most common misalignment). Loosen the latch and tighten the hinge.



Note how the gasket separates from the body.

Hinge Too Tight - In the illustration below, the hinge is too tight. Loosen the hinge and tighten the latch.



Note how the gasket separates from the body.

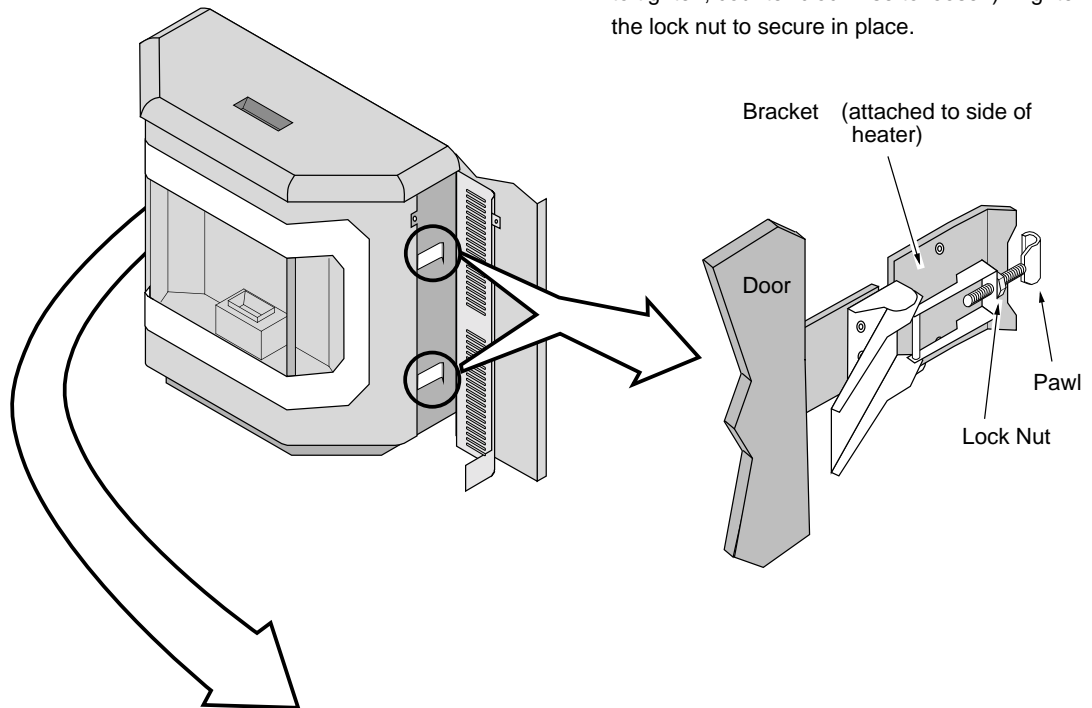
Yearly Maintenance (or every ton) - Continued

Adjusting the Door Hinge and Latch

- The door hinge and door latches may be adjusted to pull the door closer to the body. The illustration below details how to adjust these components. **NOTE:** Make sure to read the section "Door Alignment" on the previous page before adjusting the door.

Latch Adjustment

Loosen the lock nut and twist the pawl (clockwise to tighten, counter-clockwise to loosen). Tighten the lock nut to secure in place.

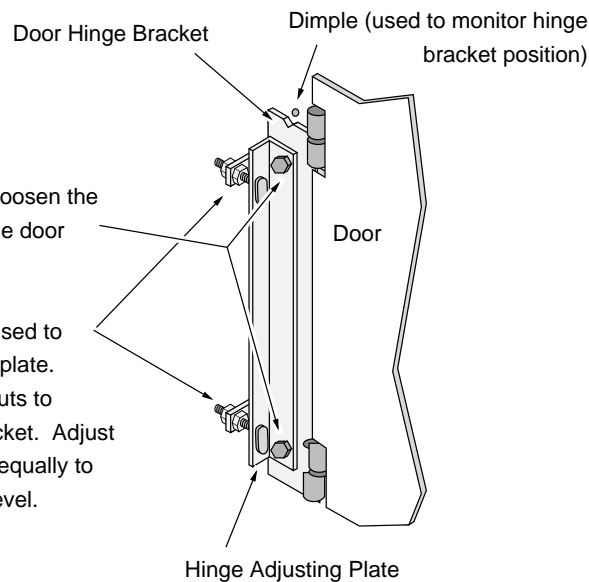


Hinge Adjustment

(1) With the door closed, loosen the two bolts going through the door hinge bracket.

(2) Loosen the four nuts used to move the hinge adjusting plate. Tighten or loosen these nuts to adjust the door hinge bracket. Adjust the upper and lower nuts equally to insure the door remains level. Tighten the four nuts.

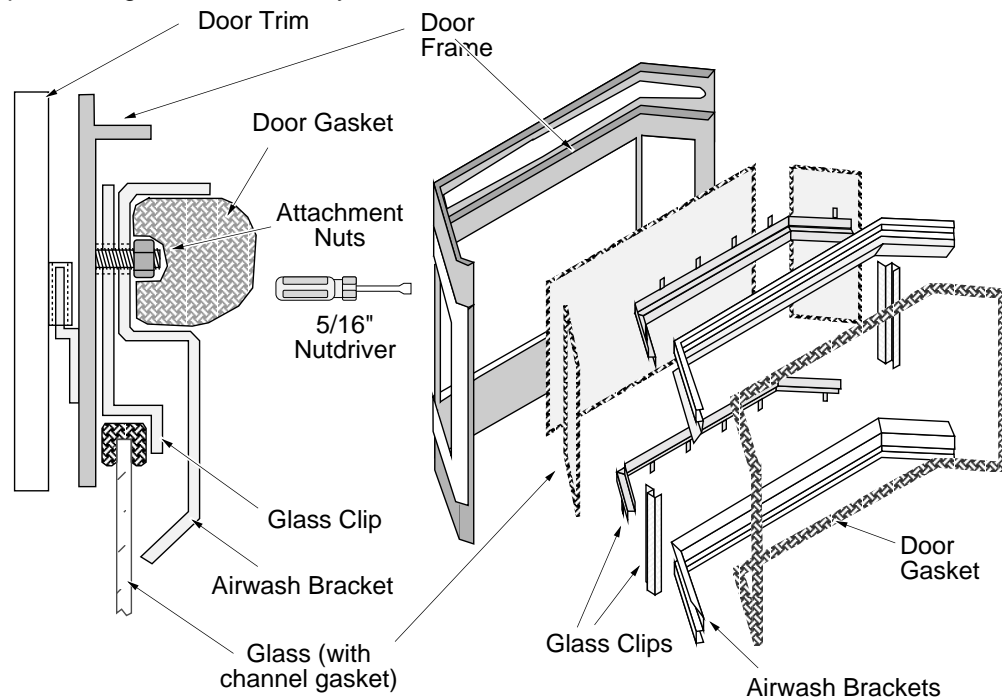
(3) Tighten the two bolts loosened in step 1.



Yearly Maintenance (or every ton) - Continued

Check for Air Leaks Around the Door, Glass, and Ashpan

- ! Air leaks into the firebox will decrease the stove's performance greatly, leading to excessive sooting, inefficient burning, and perhaps a malfunction.
- Inspect the door gasket to make sure it is fully attached. Use stove gasket cement to re-attach if necessary. If the door gasket is worn or flattened, replace.
- If the glass is cracked, replace. The glass is held in place by glass clips that are underneath the airwash brackets. See the illustration below for details.
- Remove the ashpan and inspect the gasket around the perimeter of the ashpan. Re-attach, or replace the gasket if necessary.



Replacement Parts

ASH DUMP PLATE, LARGE PS/PI	91002022	GASKET, DOOR 7/8" x 85" WHITE ROPE	99900431
ASHTRAP DOORS	93005054	GASKET, GLASS 5/8"x137" BLACK	99900398
AUGER BEARING PLT, LOWER, LRG	91002024	GLASS, FRONT, P12/14, P13	91002004
AUGER BUSHING PLATE, UPPER	93005093	GLASS, SIDE, P12/14, P13	91002005
AUGER DRIVE COLLAR, 1997 & UP	91002021	GROMMET, IGNITOR WIRE BLACK RUBBER	100-02811
AUGER FLIGHT INSPECTION COVER	210-02702	GSKT, CLEAN-OUT CVR, 3.250 x 2.750	100-03235
AUGER FLIGHT, 2000+ LRG PEL	91002013	GSKT, COMB BLOWER (BODY)	100-03206
AUGER MOTOR STOP, P11-P15	93005096	GSKT, COMB BLOWER(MOTOR) 7" dia	100-03231
AUGER MOTOR, ALL PS/PI	90-0191	GSKT, EXHAUST PLATE 5"x 5"	100-03239
AUGER SUB-ASS'Y - LARGE PEL	91002020	HANDLE, HOPPER LID	100-04312
BLOWER, COMB, PELLET	93005535	HANDLE, PEL CNTRL BOARD 97	99300094
BLOWER, CONV, P2-8/11-15/G1	98900755	HINGE PLATE ASS'Y	91002017
BRUSH, BROOM STYLE - PELLET	100-04301	HOSE NIPPLE, BARBED	100-04307
BURNPOT ASSY, FIREPOT	99300171	IGNITER, LG PS/PI	99300149
CABLE HANGER CLIP	100-04310	KNOB (PHENOLIC), 3/4" dia	100-04241
CNTRL BRD, LG PEL (P13-15)	100-00203	LBL, EXHAUST DAMPER	112-00505
CORD RESTRAINER	100-00112	MAGNET w/OUT SHEATH 1x.75" 1/4" THICK	100-02801
DAMPER PLATE S-ASS'Y - LRG PS	221-22089	OIL PAN, COMB BLOWER - LG PEL	210-03216
DRAFT (FLOW) SWITCH	93005060	POWER CORD, PS/PI	93005015
DRAFT FLOW TUBING	99300164	REFRACTORY SIDE CLIP, LEFT	210-03831L
FIRE-BACK, CAST IRON,	93005059	REFRACTORY SIDE CLIP, RIGHT	210-03831R
FIREBOX BAFFLE, LEFT	210-05199	SCRAPER ROD (P12/13/14)	211-01660
FIREBOX BAFFLE, RIGHT	210-05198	SNAP-DISC - 120deg CERAMIC NO	100-00232
FUSE HOLDER (IN-LINE)	100-00210	SNAP-DISC - 120deg NO # NO	100-00231
FUSE, 5AMP, 5 - FOR INLINE	93-0695	SNAP-DISC - 200deg NC # NC	100-00233
FUSE, 6AMP, 5 - CONTROL BOARD	93005019	TOOL, GLASS LATCH/RESTRICTOR	100-02302
GASKET CEMENT (WHITE), 4oz.	99900409	WIRE HRNS, PEL, JUMPER, LRGPELLET	100-00390
GASKET, ASHPAN 70" BLK 1/2"x1/8" ADH	99900428	WIRE HRNS, PEL, PS/PI 97 & UPLARGE OR SMALL	100-00391

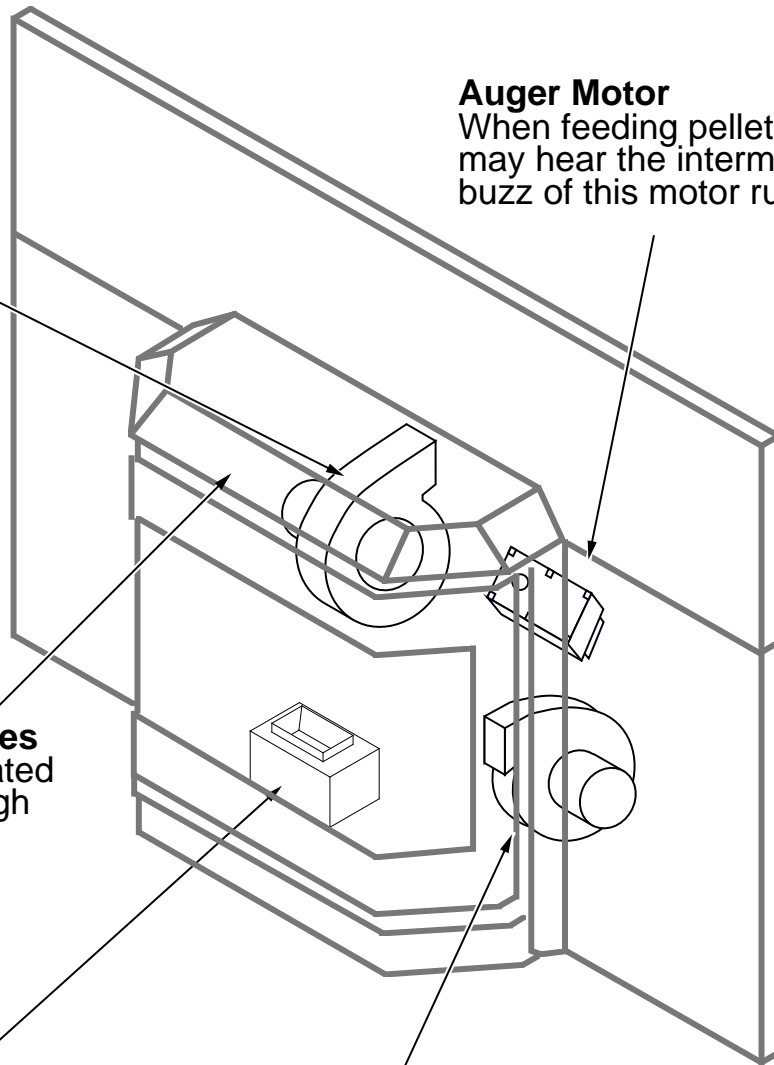
Exhaust Blower
The blower may create a low-pitched hum. This sound will change as the FEED RATE is altered.

Auger Motor
When feeding pellets, you may hear the intermittent buzz of this motor running.

Heat Exchanger Tubes
You may hear the heated air being forced through these tubes by the convection fan.

Firepot
As pellets are fed into the firepot, a light clicking sound may be heard.

Convection Fan
The modern high efficiency fan may produce a low hum, particularly on "HIGH". This sound will change as the FAN dial is turned.



WARNING - DO NOT REMOVE OR COVER THIS LABEL

Listed Pelletized Solid Fuel Burning Appliance
For use in masonry or factory built (ZC) fireplaces.



Travis Industries, Inc.
10850 117th Pl. NE
Kirkland, WA 98033

Serial No. XXXXXXXXXX

Model: Astoria Bay PI (Avanti PI)
Report No.: 028-S-51-2
Tested to: ASTM E1509-95
Maximum Input Rating: 5.5 lbs (2.50 kg)/hr

Electrical Rating: 115 V., 60 Hz.,
Start 3 Amps,
Run 1.5 Amps

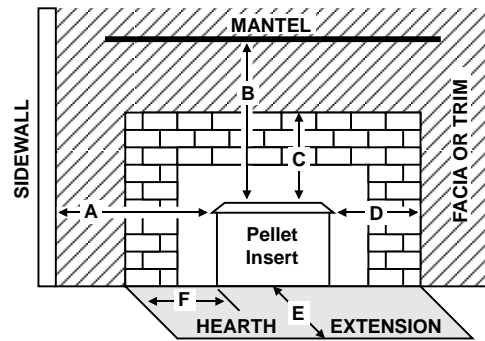
This pellet appliance has been tested and listed for use in manufactured homes in accordance with Oregon Administrative Rules 814-23-900 through 814-23-909. Install and use only in accordance with the installation and operating instructions. Contact local building or fire officials about restrictions and installation inspection in your area. Do not remove bricks or mortar from masonry fireplace or alter factory built fireplace.

Combustible floor beyond hearth extension must be protected by a non-combustible material, extending 6 in/150 mm (E) to the front and 6 in/150 mm (F) to the sides of door opening. Do Not Connect This Unit to a Chimney Flue Serving Another Appliance. Components Required for Masonry Fireplace and Factory Built Fireplace Installation: Listed 4 in diameter flue liner.

For use with 1/4 in/6 mm to 5/16 in/7 mm diameter pelletized wood fuels that comply with premium grade standards set by Association of Pellet Fuel Industries. Replace glass only with 5 mm ceramic glass available from your dealer.

DANGER: Risk of electric shock. Disconnect power before servicing unit. Do not route power cord beneath heater. The space beneath the heater must not be obstructed. Do not obstruct combustion air openings. Operate only with viewing door closed and with ashbox and ashpan in place. Keep all furnishings well away from heater. Do Not Overfire - If Heater or Chimney Connector Glows, You Are Overfiring. Inspect And Clean Chimney Frequently - Under Certain Conditions of Use, Creosote Buildup May Occur Rapidly.

INSERT CLEARANCE DIAGRAM



Minimum Clearance to Combustible Materials
(Measured from insert top)

Adjacent Sidewall	A	8.75 in
Mantel	B	11.5 in
Top Facing	C	6.25 in
Side Facing	D	7 in



CAUTION HOT WHILE IN OPERATION. DO NOT TOUCH. KEEP CHILDREN, CLOTHING AND FURNITURE AWAY. CONTACT MAY CAUSE SKIN BURNS. SEE THE NAMEPLATE AND INSTRUCTIONS. OPERATE THIS UNIT ONLY WITH THE FUEL HOPPER LID CLOSED. FAILURE TO DO SO MAY RESULT IN EMISSION OF PRODUCTS OF COMBUSTION FROM THE HOPPER UNDER CERTAIN CONDITIONS. MAINTAIN HOPPER SEAL IN GOOD CONDITION. DO NOT OVERFILL HOPPER.

DATE OF MANUFACTURE

- | | | | |
|--------|--------|--------|--------|
| ■ 2003 | ■ Jan. | ■ May | ■ Sep. |
| ■ 2004 | ■ Feb. | ■ Jun. | ■ Oct. |
| ■ 2005 | ■ Mar. | ■ Jul. | ■ Nov. |
| ■ 2006 | ■ Apr. | ■ Aug. | ■ Dec. |

0468 (IGN)

Limited 7 Year Warranty

37

To register your TRAVIS INDUSTRIES, INC. 7 Year Warranty, complete the enclosed warranty card and mail it within **ten (10)** days of the appliance purchase date to: TRAVIS INDUSTRIES, INC., 4800 Harbour Pointe Blvd. SW, Mukilteo, WA 98275. TRAVIS INDUSTRIES, INC. warrants this gas appliance (appliance is defined as the equipment manufactured by Travis Industries, Inc.) to be defect-free in material and workmanship to the original purchaser from the date of purchase as follows:

Check with your dealer in advance for any costs to you when arranging a warranty call. Mileage or service charges are not covered by this warranty. This charge can vary from store to store.

Years 1 & 2 - COVERAGE: PARTS & LABOR

Firebox Assembly:

Firepot, Firepot Holder, Ash Cleanout Doors, Ashbox or Ash Dump, Cast Fireback, Heat Exchanger Tubes, Exhaust Manifold, Exhaust Box

Door Assembly:

Door Frame, Latch Assembly, Glass Retainers

Auger Assembly

Auger Flight, Auger Tube, Auger Bushings

Exclusions: Paint, Gasketing

Ceramic Glass

Glass (breakage from thermal shock)

Igniter System

Igniter, Igniter Leads

Electrical System

Auger Motor, Convection Blower, Exhaust Blower, Circuit Board, Snap Disks, Wiring Harness, Vacuum Switch

Accessories

Panels, Legs, Pedestal, Gold Trim, Ceramic Log with Log Shelf, Gold Door (See # 9 below)

Re-Installation Allowance

In cases where heater must be removed from home for repairs, a partial cost of re-installation is covered (pre-authorization required)

One-Way Freight Allowance

One-way freight allowance on pre-authorized repair done at factory is covered.

Years 3 Through 5 - COVERAGE: PARTS & LABOR

Firebox Assembly:

Firepot, Firepot Holder, Ash Cleanout Doors, Ashbox or Ash Dump, Cast Fireback, Heat Exchanger Tubes, Exhaust Manifold, Exhaust Box

Door Assembly:

Door Frame, Latch Assembly, Glass Retainers

Auger Assembly

Auger Flight, Auger Tube, Auger Bushings

One-Way Freight Allowance

One-way freight allowance on pre-authorized repair done at factory is covered.

Exclusions: Paint, Gasketing, Ceramic Glass, Igniter System, Electrical System, Accessories (panels, legs, pedestal, gold trim, ceramic log, gold door), Re-Installation Allowance

Years 6 & 7 - COVERAGE: PARTS ONLY

Firebox Assembly:

Firepot, Firepot Holder, Ash Cleanout Doors, Ashbox or Ash Dump, Cast Fireback, Heat Exchanger Tubes, Exhaust Manifold, Exhaust Box

Door Assembly:

Door Frame, Latch Assembly, Glass Retainers

Exclusions: Paint, Gasketing, Ceramic Glass, Igniter System, Electrical System, Accessories (panels, legs, pedestal, gold trim, ceramic log, gold door), Auger Assembly, Re-Installation Allowance, One-Way Freight Allowance, Labor

CONDITIONS & EXCLUSIONS

1. This new appliance must be installed by a qualified installer. It must be installed, operated, and maintained at all times in accordance with the instructions in the Owner's Manual. Any alteration, willful abuse, accident, neglect, or misuse of the product shall nullify this warranty.
2. This warranty is nontransferable, and is made to the ORIGINAL purchaser, provided that the purchase was made through an authorized Travis dealer.
3. Discoloration and some minor expansion, contraction, or movement of certain parts and resulting noise, is normal and not a defect and, therefore, not covered under warranty.
4. The warranty, as outlined within this document, does not apply to the chimney components or other Non-Travis accessories used in conjunction with the installation of this product. If in doubt as to the extent of this warranty, contact your authorized Travis retailer before installation.
5. Travis Industries will not be responsible for inadequate performance caused by environmental conditions such as nearby trees, buildings, roof tops, wind, hills or mountains or negative pressure or other influences from mechanical systems such as furnaces, fans, clothes dryers, etc.
6. This Warranty is void if:
 - a. The unit has been operated in atmospheres contaminated by chlorine, fluorine or other damaging chemicals.
 - b. The unit is subject to submersion in water or prolonged periods of dampness or condensation.
 - c. Any damage to the unit, combustion chamber, heat exchanger or other components due to water, or weather damage which is the result of, but not limited to, improper chimney/venting installation.
7. Exclusions to this 7 Year Warranty include: injury, loss of use, damage, failure to function due to accident, negligence, misuse, improper installation, alteration or adjustment of the manufacturer's settings of components, lack of proper and regular maintenance, damage incurred while the appliance is in transit, alteration, or act of God.
 - This 7 Year warranty excludes damage caused by normal wear and tear, such as paint discoloration or chipping, worn or torn gasketing, chipped or cracked firebrick, etc. Also excluded is damage to the unit caused by abuse, improper installation, modification of the unit, or the use of fuel other than that for which the unit is configured.
 - Damage to gold or nickel surfaces caused by fingerprints, scratches, melted items, or other external sources left on the gold or nickel from the use of cleaners other than denatured alcohol is not covered in this warranty.
10. TRAVIS INDUSTRIES, INC. is free of liability for any damages caused by the appliance, as well as inconvenience expenses and materials. Incidental or consequential damages are not covered by this warranty. In some states, the exclusion of incidental or consequential damage may not apply.
11. This warranty does not cover any loss or damage incurred by the use or removal of any component or apparatus to or from the Travis appliance without the express written permission of TRAVIS INDUSTRIES, INC. and bearing a TRAVIS INDUSTRIES, INC. label of approval.
12. Any statement or representation of Travis products and their performance contained in Travis advertising, packaging literature, or printed material is not part of this 7 year warranty.
13. This warranty is automatically voided if the appliance's serial number has been removed or altered in any way. If the appliance is used for commercial purposes, it is excluded from this warranty.
14. No dealer, distributor, or similar person has the authority to represent or warrant Travis products beyond the terms contained within this warranty. TRAVIS INDUSTRIES, INC. assumes no liability for such warranties or representations.
15. Travis Industries will not cover the cost of the removal or re-installation of hearths, facing, mantels, venting or other components.
16. If for any reason any section of this warranty is declared invalid, the balance of the warranty remains in effect and all other clauses shall remain in effect.
17. This 7 year warranty is the only warranty supplied by Travis Industries, Inc., the manufacturer of the appliance. All other warranties, whether express or implied, are hereby expressly disclaimed and purchaser's recourse is expressly limited to the warranties set forth herein.

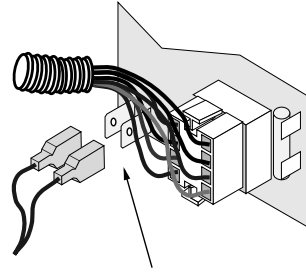
IF WARRANTY SERVICE IS NEEDED:

1. If you discover a problem that you believe is covered by this warranty, you MUST REPORT it to your Travis dealer WITHIN 30 DAYS, giving them proof of purchase, the purchase date, and the model name and serial number.
2. Travis Industries has the option of either repairing or replacing the defective component.
3. If your dealer is unable to repair your appliance's defect, he may process a warranty claim through TRAVIS INDUSTRIES, INC., including the name of the dealership where you purchased the appliance, a copy of your receipt showing the date of the appliance's purchase, and the serial number on your appliance. At that time, you may be asked to ship your appliance, freight charges prepaid, to TRAVIS INDUSTRIES, INC. TRAVIS INDUSTRIES, INC., at its option, will repair or replace, free of charge, your appliance if it is found to be defective in material or workmanship within the time frame stated within this 7 year warranty. TRAVIS INDUSTRIES, INC. will return your appliance, freight charges (years 1 to 5) prepaid by TRAVIS INDUSTRIES, INC., to your regional distributor, or dealership.
4. Check with your dealer in advance for any costs to you when arranging a warranty call. Mileage or service charges are not covered by this warranty. This charge can vary from store to store.

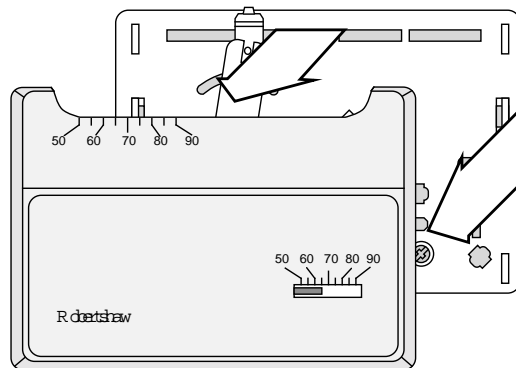
Thermostat (Part # 99300650)

! Do not connect 120 VAC to the thermostat circuit of this heater (do not use a household thermostat used for a wall-board or other electrical heater).

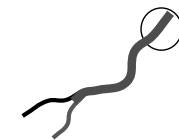
- 1 Attach the thermostat wire to the circuit board (see the illustration to the right). Route the wire through the back of the heater (away from any hot or moving components).
- 2 Determine a location for the thermostat that is within range of the 20' length of thermostat wire. It should be centralized in the room and away from the heater. The wire may be routed externally on the wall or behind the wall (preferred).
- 3 Follow the directions to the right to attach the thermostat and thermostat wires.



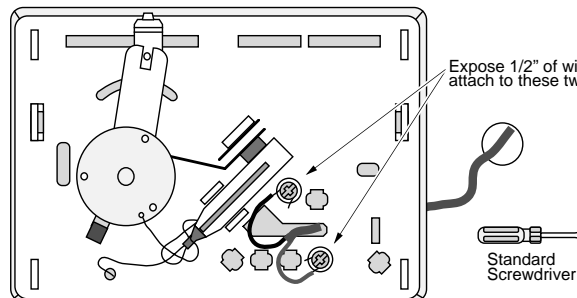
Attach the quick-connects to the two posts near the molex connector on the circuit board (orientation does not matter).



Pull the cover off the thermostat

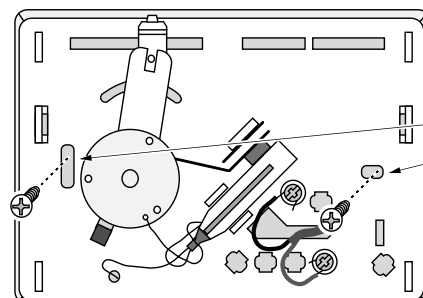


Run the thermostat wires through the wall (cut off excess wire, leaving 6" of slack).



Expose 1/2" of wire and attach to these two posts.

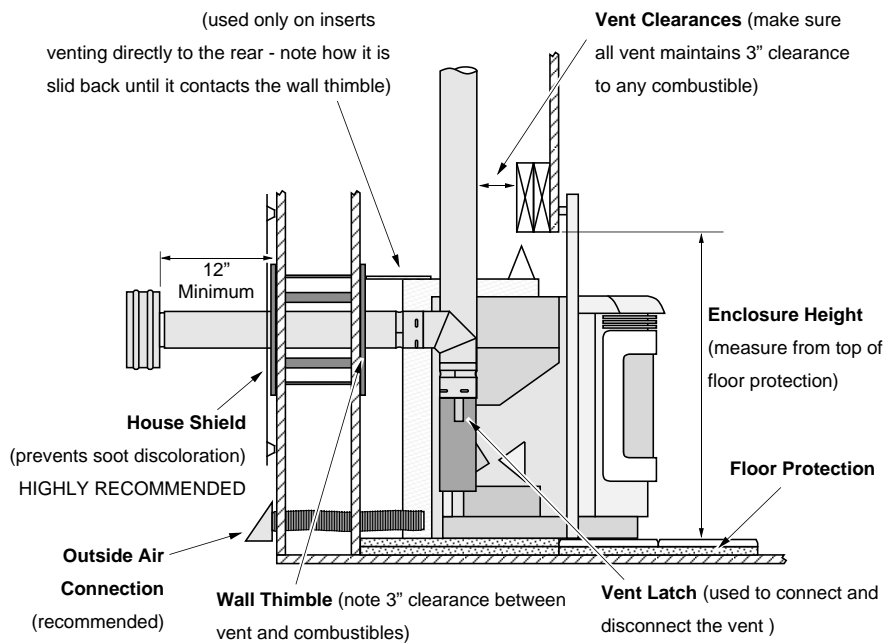
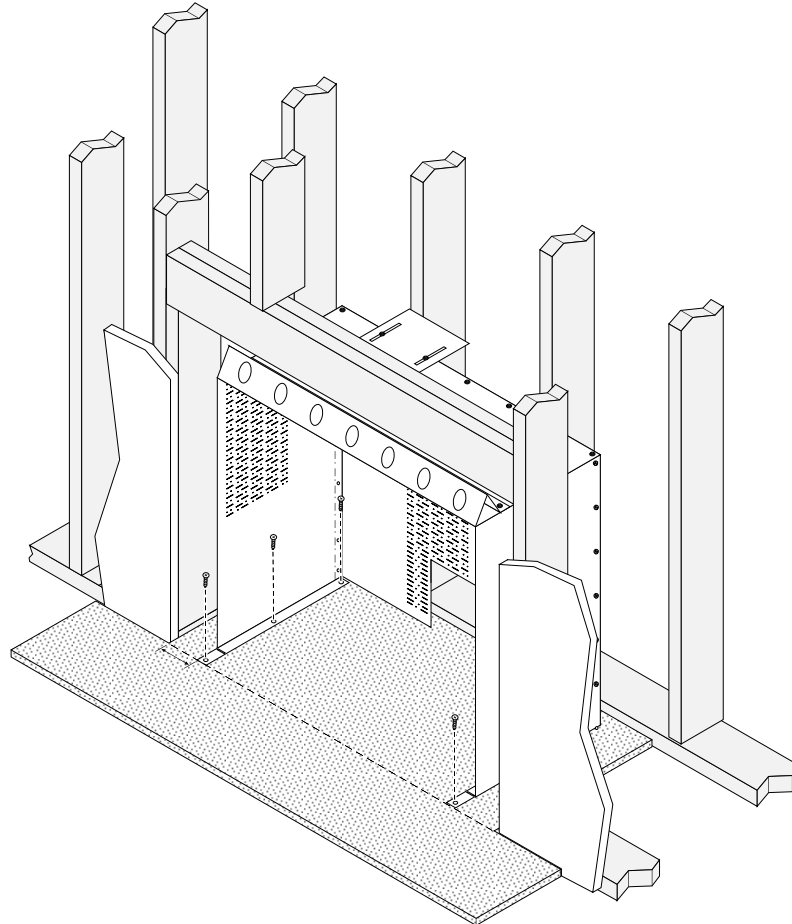
Standard Screwdriver



Attach the thermostat to the wall through these two holes.

ZC Kit (99200149)

The optional zc kit allows this insert to be directly into the framing of a house or mobile home. See the kit for installation details.



Adjusting the Fan Speed.....	21	Gold (cleaning).....	27
Air Leaks.....	32	Hearth Requirements.....	10
Ashpan (Opening and Disposing Ashes).....	28	Heat Exchange Tubes (cleaning).....	27
AUGER ON Light.....	22	Heating Specifications.....	6
Auto Mode.....	20	Hopper Cleaning (Vacuum Hopper).....	27
Blower (Exhaust Blower Cleaning).....	31	Important Information.....	2
Blower Speed Adjustment.....	21	Installation Options.....	7
Cap (Pellet Vent Termination).....	11	Installation Warnings (Before you Begin).....	7
Check for Air Leaks - Door, Glass and Ashpan.....	32	Introduction.....	2
Clean the Exhaust Blower.....	31	Listing Label.....	36
Clean the Exhaust Duct.....	30	Loading Pellets.....	18
Clean the Glass.....	28	MAINTENANCE REQUIRED Light.....	22
Clean the Heat Exchange Tubes.....	27	Mantel Requirements.....	10
Clean the Vent.....	31	Manual Mode.....	19
Cleaning Ashpan (Opening and Disposing Ashes).....	28	Masonry Fireplace Requirements.....	15
Cleaning the Firebox (Sweep Ash Into Ashpan).....	29	Metal (Factory Built) Fireplace Requirements.....	16
Cleaning the Firepot.....	25	Mobile Home Requirements.....	12
Cleaning the Hopper (Vacuum Hopper).....	26	Modes of Operation.....	18
Clearances.....	10	Noise (Normal Operating Sounds).....	35
Clinkers (Check Firepot for Clinkers).....	25	Normal Operating Sounds.....	35
Controls.....	17	Opening the Door.....	26
Curing the Paint.....	17	Outside Air.....	12
Daily Maintenance (whenever using the heater).....	24	Parts List.....	34
Dimensions.....	6	Pellet Vent Termination.....	11
Door (cleaning the gold).....	26	Pellets (Fuel).....	6
Door (Opening).....	26	Pellets (loading).....	18
Door Gasket (inspection, removal).....	32	Pellets Piling Up.....	24
Electrical Specifications.....	6	Placing the Stove.....	7
Emissions (EPA Compliance).....	6	Planning the Installation.....	7
EPA Compliance.....	6	Power Outages.....	23
Exhaust Blower (Cleaning).....	31	Priming the Auger.....	17
Exhaust Duct (Cleaning).....	30	Restrictor Adjustment.....	21
Factory Built (Metal) Fireplace Requirements.....	16	Safety Label.....	36
Fan (Adjusting the Fan Speed).....	21	Safety Precautions.....	4, 5
Firebox (Cleaning).....	28	Serial Number Label.....	36
Fireplace Sizing.....	7	Smell in Home (Starting Heater for the First Time).....	17
Fireplace Preparation.....	7	Start-Up Sequence.....	22
Firepot Cleaning.....	25	Thermostat Operation (Auto Mode).....	20
Firepot Inspection (Inspect the Burn).....	24	Vent (Cleaning).....	31
Flames (Inspect the Burn).....	24	Vent Type.....	11
Floor Protection Requirements (Hearth).....	7	Venting Distance.....	11
Fuel.....	10	Venting the Pellet Stove.....	11
Gasket (door, glass - inspection & removal).....	34	Warnings.....	4, 5
Glass (Cleaning).....	28	Warranty.....	37
Glass Removal.....	34	Weekly Maintenance (or every 5 bags pellets).....	27
		Yearly Maintenance (or every ton).....	30
		Zero-Clearance (Metal) Fireplaces.....	16