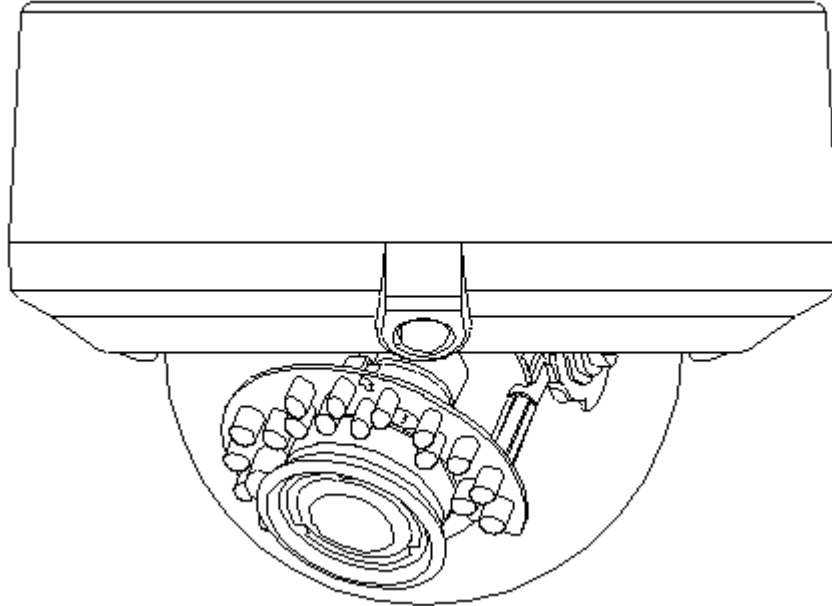




American Dynamics

From Tyco Security Products

Illustra Flex Series 1MP & 3MP Outdoor Dome Quick Start Guide



Notice

Please read this manual thoroughly and save it for future use before attempting to connect or operate this unit.

The information in this manual was current when published. The manufacturer reserves the right to revise and improve its products. All specifications are therefore subject to change without notice.

Copyright

Under copyright laws, the contents of this manual may not be copied, photocopied, reproduced, translated or reduced to any electronic medium or machine-readable form, in whole or in part, without prior written consent of Tyco Security Products. © 2013 Tyco Security Products. All rights reserved.

American Dynamics
6600 Congress Avenue
Boca Raton, FL 33487 U.S.A.

Customer Service

Thank you for using American Dynamics products. We support our products through an extensive worldwide network of dealers. The dealer through whom you originally purchased this product is your point of contact if you need service or support. Our dealers are empowered to provide the very best in customer service and support. Dealers should contact American Dynamics at (800) 507-6268 or (561) 912-6259 or on the Web at www.americandynamics.net.

Trademarks

The trademarks, logos, and service marks displayed on this document are registered in the United States [or other countries]. Any misuse of the trademarks is strictly prohibited and Tyco Security Products. will aggressively enforce its intellectual property rights to the fullest extent of the law, including pursuit of criminal prosecution wherever necessary. All trademarks not owned by Tyco Security Products. are the property of their respective owners, and are used with permission or allowed under applicable laws.




Product offerings and specifications are subject to change without notice. Actual products may vary from photos. Not all products include all features. Availability varies by region; contact your sales representative.

Table of Contents

WARNING	4
Preface.....	5
1. Product Overview.....	6
1.1 Physical Characteristics.....	6
2. Installation and Connection	9
2.1 Unpack Everything.....	9
2.2 Installation	9
2.2.1 Checking Appearance	9
2.2.2 Disassembling the Camera	10
2.2.3 Connecting the wires.....	10
2.2.4 Mounting the camera.....	12
2.2.5 Adjusting the camera position	14
2.2.6 Locking the camera.....	15
2.2.7 Network Topology.....	15
2.2.8 System Requirements.....	16
2.3 Connection	17
2.3.1 Default IP address.....	17
2.3.2 Connecting from a computer & Viewing Preparation	17
2.4 Using the illustra Connect Tool to Manage Cameras.....	20

WARNING

- This unit operates at AC 24V/ PoE.
- Installation and service should be performed only by qualified and experienced technicians and comply with all local codes and rules to maintain your warranty.
- To reduce the risk of fire or electric shock, do not expose the product to rain or moisture.
- Wipe the camera with a dry soft cloth. For tough stains, slightly apply with diluted neutral detergent and wipe with a dry soft cloth.
- Do not apply benzene or thinner to the camera, which may cause the surface of the unit to be melted or lens to be fogged.
- Avoid aligning the lens to very bright objects (example, light fixtures) for long periods of time.
- Avoid operating or storing the unit in the following locations:
 - ✓ Extremely humid, dusty, or hot/cold environments (recommended operating temperature: -40°C to +50°C) (PoE does not support heater.)
 - ✓ Close to sources of powerful radio or TV transmitters
 - ✓ Close to fluorescent lamps or objects with reflections
 - ✓ Under unstable or flickering light sources

	<p>CAUTION RISK OF ELECTRIC SHOCK DO NOT OPEN</p>		<p>THIS SYMBOL INDICATES THAT DANGEROUS VOLTAGE CONSTITUTING A RISK OF ELECTRIC SHOCK IS PRESENT WITHIN THE UNIT.</p>
<p>CAUTION: TO REDUCE THE RISK OF ELECTRIC SHOCK, DO NOT REMOVE THE COVER. NO USER-SERVICEABLE PARTS INSIDE. REFER SERVICING TO QUALIFIED SERVICE PERSONNEL.</p>			<p>THIS SYMBOL INDICATES THAT IMPORTANT OPERATING AND MAINTENANCE INSTRUCTIONS ACCOMPANY THIS UNIT.</p>



WEEE (Waste Electrical and Electronic Equipment). Correct disposal of this product (applicable in the European Union and other European countries with separate collection systems). This product should be disposed of, at the end of its useful life, as per applicable local laws, regulations, and procedures.

Preface

This user manual is designed as a reference for the installation and manipulations of the unit including the camera's features, functions, and detailed explanation of the menu tree. The reader is supposed to be able to get following information in the manual.

Product Overview: the main functions and system requirements of the unit.

Installation and Connection: instructions on unit installation and wire connections.

Administration and Configuration: the main menu navigation and controls explanations.

1. Product Overview

1.1 Physical Characteristics

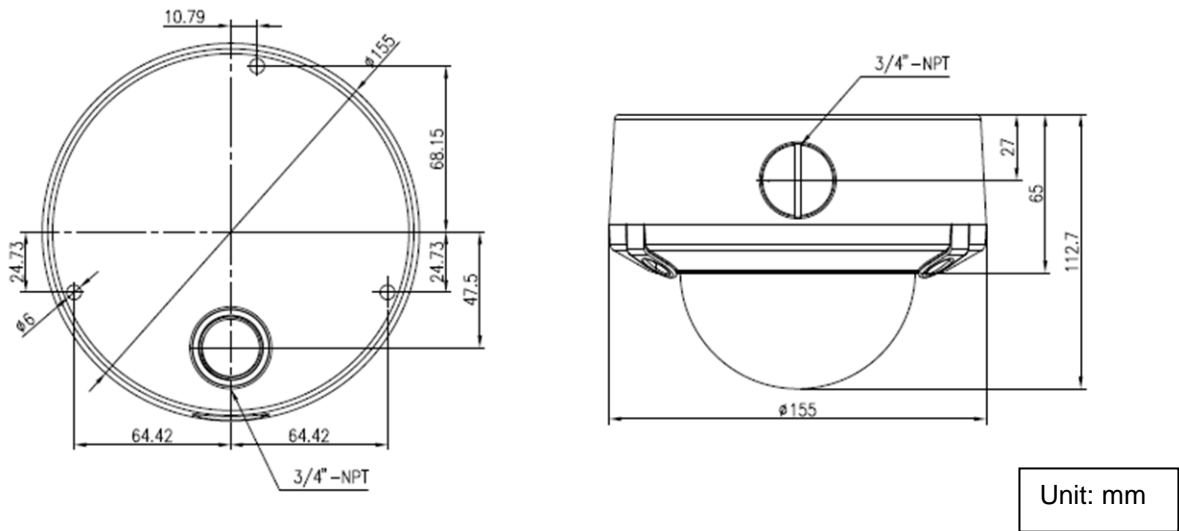


FIGURE 1-1: PHYSICAL DIMENSION A

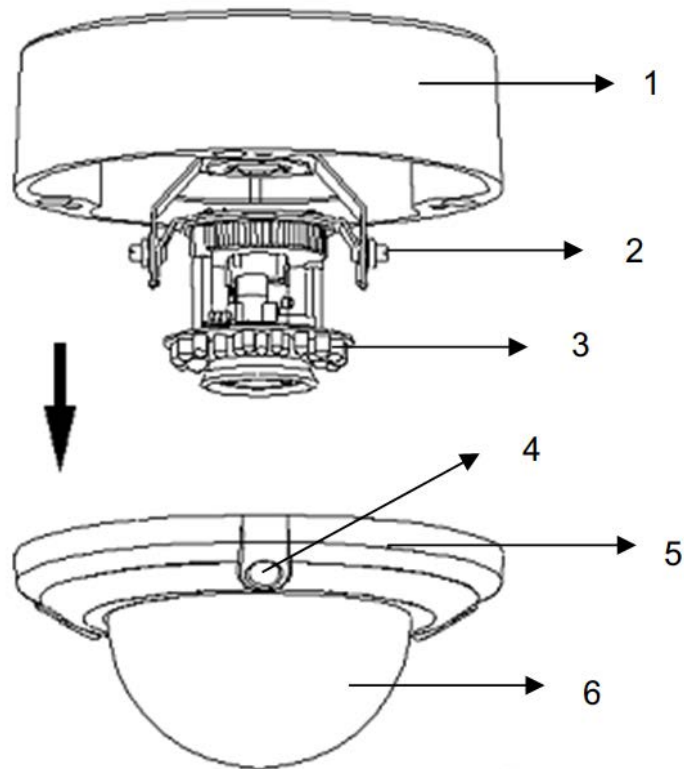


FIGURE 1-2: PICTORIAL INDEX*

* Refer to table 1-1 for definitions

TABLE 1-1: PICTORIAL INDEX DEFINITION

Index #	Name
1	Camera bottom case
2	Tilt adjustment bracket and thumbnuts, notches(X2),
3	IR board
4	Loosen the screw to take off camera housing
5	Camera top case
6	Dome cover

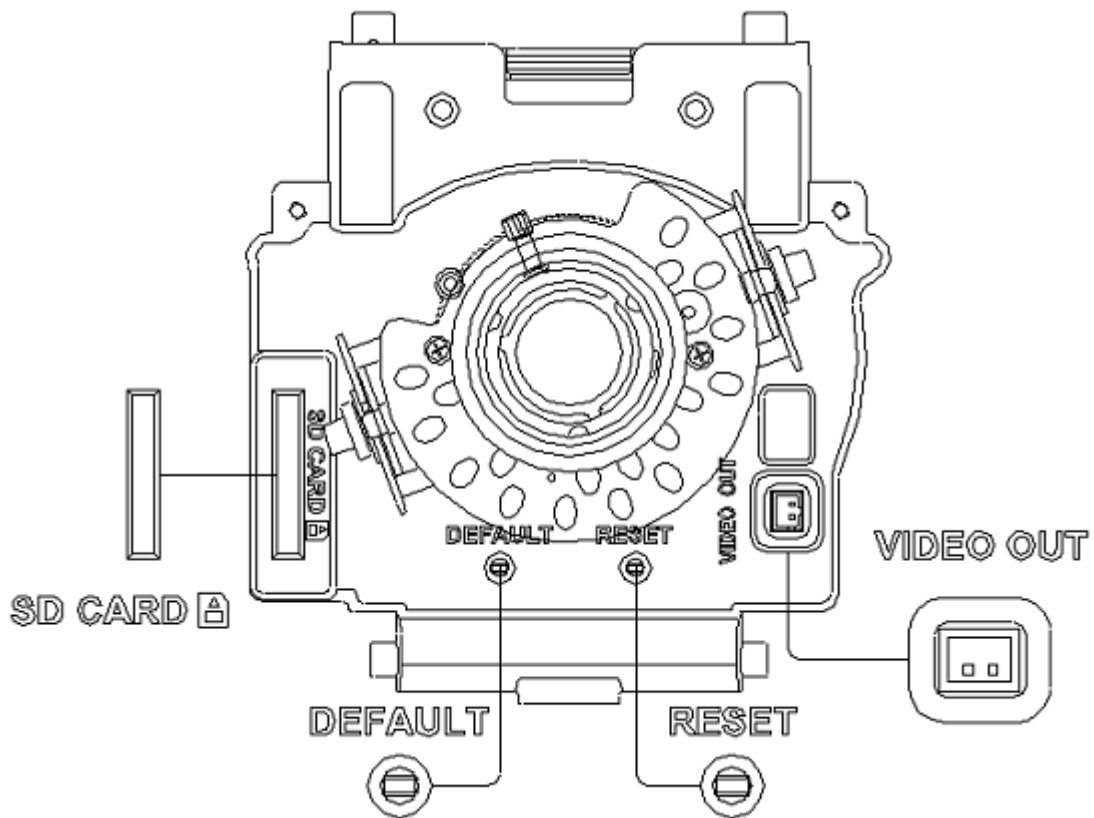


FIGURE 1-3: PIN DEFINITIONS 1/2

TABLE 1-2: PIN DEFINITIONS 1/3

<p>DEFAULT RESET</p>	DEFAULT	return to factory default by press button for 5 seconds
	RESET	system restart

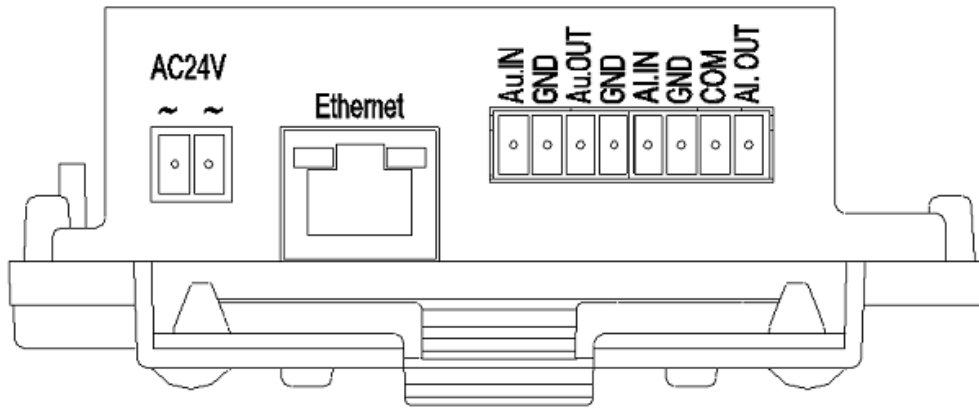


FIGURE 1-4: PIN DEFINITIONS 2/2

Note Connectors and field wiring terminal for external Class 2 circuits provided with marking indicating minimum Class of wiring to be used. Class 2 shall be marked adjacent to the field wiring terminals.

TABLE 1-3: PIN DEFINITIONS 2/3

	Au/I	Audio in
	GND	
	Au/O	Audio out
	GND	
	AI	Alarm in
	GND	
	AO	Alarm out
	COM	

TABLE 1-4: PIN DEFINITIONS 3/3

	AC 24V	Network IR vandal dome camera can operate at AC 24V only
--	--------	--

2. Installation and Connection

2.1 Unpack Everything

Check everything in the packing box matches to the order form and the packing slip. In addition to this manual, items below are included in the packing box.

- One Network IR vandal dome Camera
- 2-pin terminal block for power input, and 8-pin terminal block for alarm input/output
- One CD containing Illustra Connect, user manual and quick installation guide.
- One printed quick installation guide
- One monitor out cable
- One mounting template
- One hexagon screw driver
- 3 screw anchors
- 3 screws

Please contact your dealer if any item missing.

2.2 Installation

Following tools might help you complete the installation:

- a drill
- screwdrivers
- wire cutters

2.2.1 Checking Appearance

When first unboxing, please check whether if there is any visible damage to appearance of the unit and its accessories. The protective materials used for the packaging should be able to protect the unit from most of accidents during transportation.

Please remove the protective film of the unit when every item is checked in accordance with the list in [2.1 Unpacking Everything](#).

2.2.2 Disassembling the Camera

- Gently remove the screw to take off camera housing (3).
- Set the camera housing (4) aside.

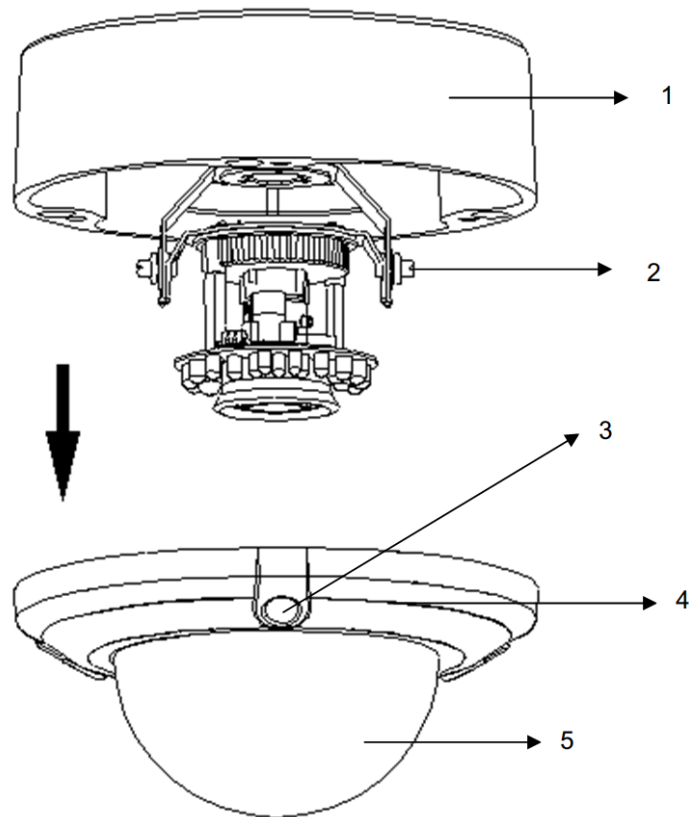


FIGURE 2-1: DISASSEMBLING THE CAMERA

2.2.3 Connecting the wires

1. Connect the power cable to the power plugs with one of the following options.
 - Inset power cable for AC 24V, Connect 24 V (~) cables to terminals ~AC 24V.
 - PoE: Connect the RJ-45 jack to a PoE compatible network device that supplied power through the Ethernet cable.

2. Insert Audio cable and alarm cable to the unit, and connect the network cable to the RJ-45 terminal of a switch.

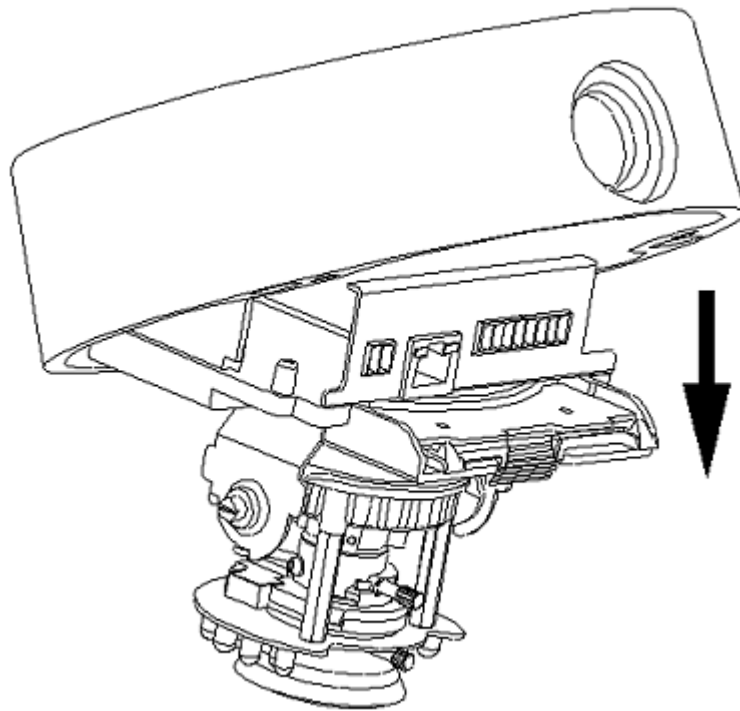


FIGURE 2-2: CONNECTING THE WIRES

3. Connected the wiring then place the camera to a proper position by pushing the button.

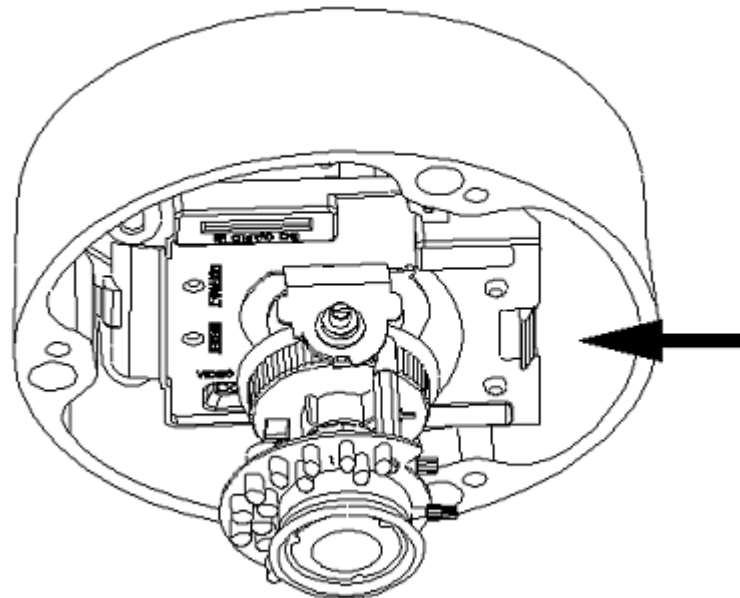


FIGURE 2-3: CONNECTING THE WIRES

2.2.4 Mounting the camera

Place the mounting template sticker (supplied) on the mounting surface and mark three holes according to the mounting template sticker. Then fasten the anchors to the mounting surface with screws. Next, secure the unit bottom case (1) to the wall/ceiling with tapping screws as supplied and adjust the view angle (zoom, focus, and horizontal rotation).

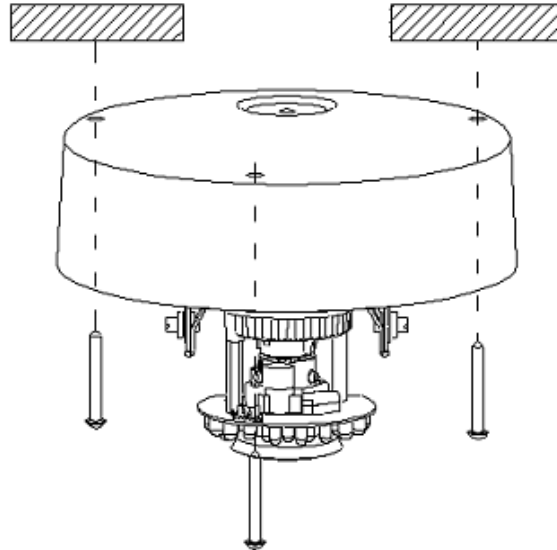


FIGURE 2-4: MOUNTING THE CAMERA

Refer to figure 2-5. Connect the Safety Wire (Fall Prevention Wire, not supplied) with one end to the wall/ceiling and the other to the safety-cord screw of the unit.

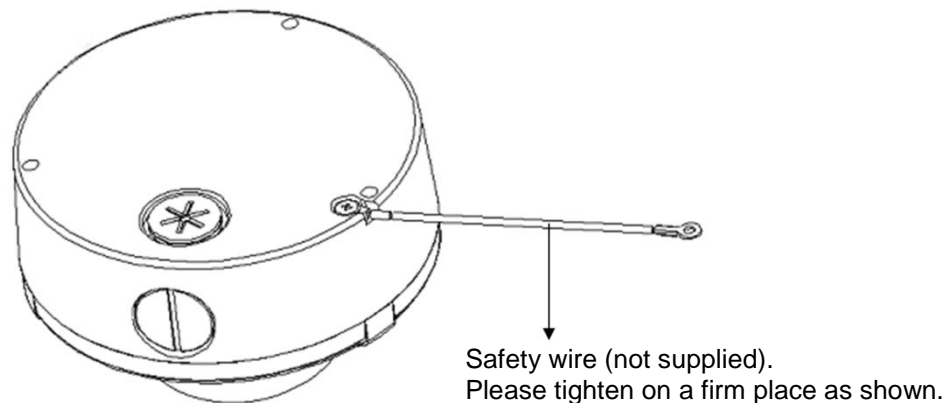


FIGURE 2-5: MOUNTING THE CAMERA

Warning Depending on the material of mounting surface, different screws and anchors than those supplied may be required. To prevent the unit from falling off, ensure that it is mounted to a firm place (ceiling slab or channel) using a safety wire strong enough to withstand the total weight of the unit. (Pay also attention to the finishing at the end of the wire.)

Caution Safety wire must be connected with one end to the wall/ceiling and the other to the safety-cord screw of the unit.

● **(Optional) 4S Electrical junction box**

1. Secure the mounting kit (optional) to 4S Electrical box using 2 appropriate screws.
2. Secure the unit case to mounting kit using 2 appropriate screws.
3. Tuck the cables in the 4S Electrical box.
4. Adjust the view angles (zoom, focus, and horizontal rotation).
5. Attach the unit housing.
6. Turn the power on after installed the unit.

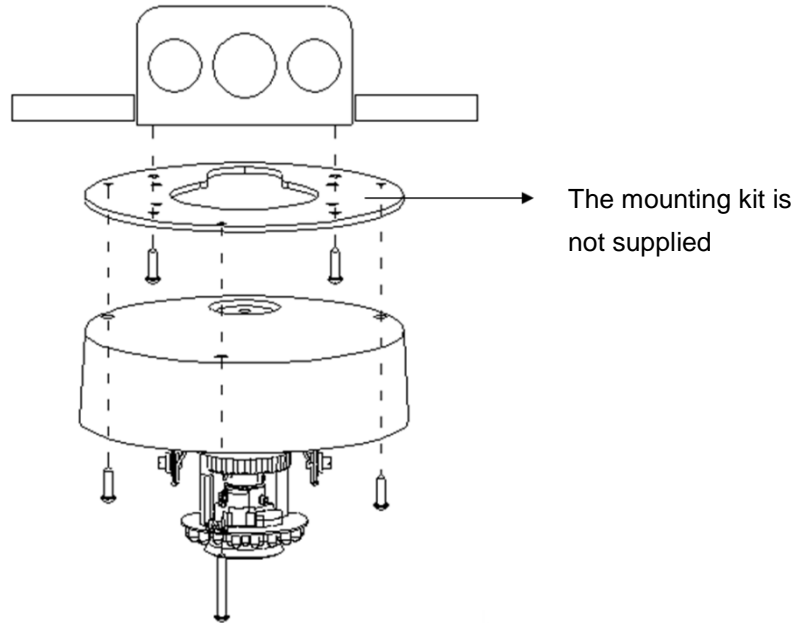


FIGURE 2-6: MOUNTING THE CAMERA

Note Keeping tilt angle over 25 degrees is recommended when IR-LED light is used. If tilt angle is below 25 degrees from the horizontal, the image would be flashed by the reflection of IR-LED light.

2.2.5 Adjusting the camera position

The unit has three axes for positioning. While screening the picture on the monitor, adjust the position by procedures below.

- **Pan Adjustment (A):** for wall mount and tilted ceiling rotate the lens base (360° maximum) until satisfied with the field of view.
- **Horizontal Rotation (B):** rotate 3D assembly in the base, but do not turn assembly more than 360° as this may have the internal cables twisted, disconnected, or broken.
- **Tilt Adjustment (C):** after loosening the thumbnuts, position the camera as desired, then finger –tighten the thumbnuts to set the position.

Note **For Outdoor dome series:**
Users can adjust zoom level and focus level manually according to the ambient condition.

Caution Limitation for three axes position:

- Pan range: $\pm 175^\circ$
- Tilt range: $25^\circ \sim 90^\circ$
- Rotate range: Manual Lens $\pm 180^\circ$ / Motorize Lens $\pm 175^\circ$

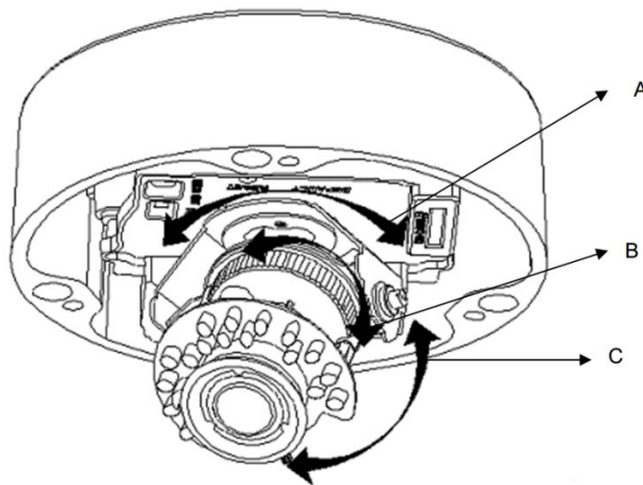


FIGURE 2-7: ADJUSTING THE CAMERA POSITION

Caution Retighten the locking screws to prevent slack after adjustment.

2.2.6 Locking the camera

Use soft, lint-free cloth to wipe the dome cover and remove fingerprints. Attach camera housing. Turn the power on after you have installed the unit.

2.2.7 Network Topology

The camera can deliver video images and audio in real time using the Internet and Intranet. It's equipped with Ethernet RJ-45 network interface.

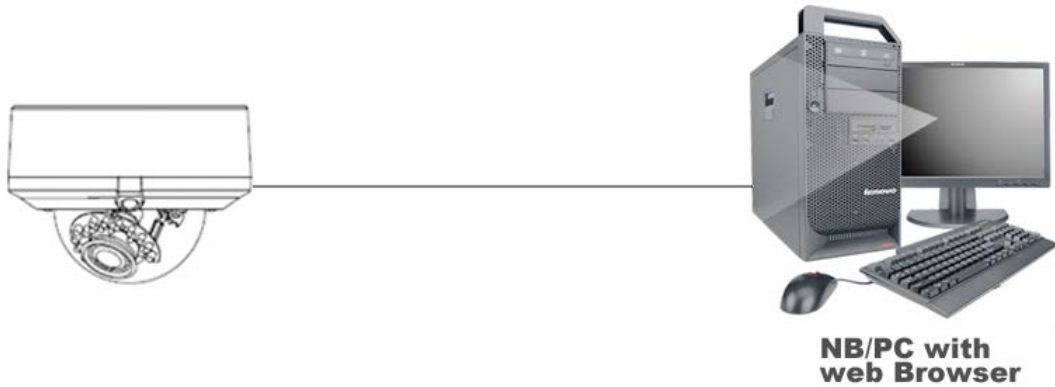


FIGURE 2-8: NETWORK TOPOLOGY TYPE I

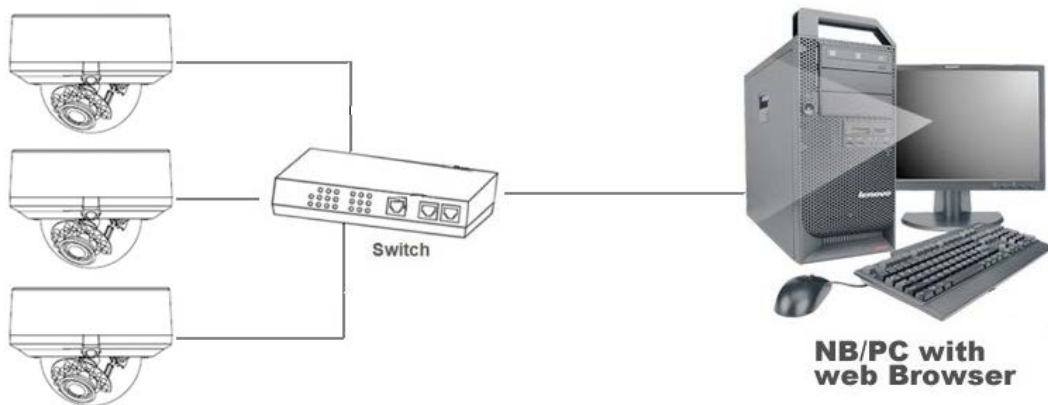


FIGURE 2-9: NETWORK TOPOLOGY TYPE II

2.2.8 System Requirements

Below table lists the minimum requirement to implement and operate a Illustra Flex Outdoor Dome.

TABLE 2-1: SYSTEM REQUIREMENTS

System Hardware	
CPU	Intel Pentium 4 2.4GHz or equivalent
RAM	1 GB
Display	NVIDIA GeForce 6 Series or ATI Mobility Radeon 9500
System Software	
Operating System	Microsoft Windows XP, Windows Vista, or Windows 7
Browser	Microsoft Internet Explorer 8 or above
Unit	
Power Supply	AC 24V / PoE
Networking	
Wired*	10/100BASE-T Ethernet (RJ-45 connector)

*a switch is required for surveillance on multiple units.

Note All the installation and operations should comply with your local electricity safety rules.

Caution To avoid damage to the unit, never connect more than one type of power supply (PoE IEEE802.3 Ethernet Class 0 or AC 24V power plug) at the same time. If using PoE, this camera is to be connecting only to PoE networks without routing to heterogeneous devices.

2.3 Connection

2.3.1 Default IP address

Since this is a network-based unit, an IP address must be assigned at the very first. The unit's default IP address is **192.168.1.168** and sub mask is **255.255.255.0**. However, if you have a DHCP server in your network, the unit would obtain an IP address automatically from the DHCP server so that you don't need to change the camera's IP address. But be sure to enable DHCP in "Network/Basic setting"

2.3.2 Connecting from a computer & Viewing Preparation

2.3.2.1 Connecting from a computer

1. Make sure the unit and your computer are in the same subnet.
2. Check whether if the networking available between the unit and the computer by executing ping the default IP address. To do this, simply start a command prompt (Windows: from the Start Menu, select Program. Then select Accessories and choose Command Prompt.), and type "Ping 192.168.1.168". If the message "Reply from..." appears, it means the connection is available.
3. Start Internet Explorer and enter IP address: **192.168.1.168**. A login window should pop up. In the window, enter the default user name: **admin** and password: **admin** to log in.

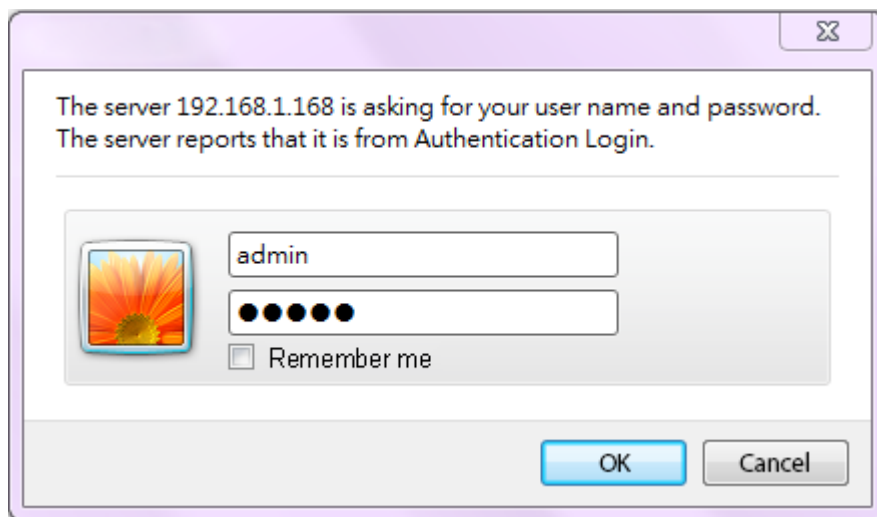


FIGURE 2-10: LOGIN WINDOW

2.3.2.2 Viewing Preparation

Images of the unit can be viewed through Microsoft Internet Explorer 8 or above. Before viewing, follow these steps to enable the display.

1. Enable Cookies as instructions below
 - In Internet Explorer, click **Internet Options** on the **Tools** menu.
 - On the **Privacy** tab, move the settings slider to **Low** or **Accept All Cookies**.
 - Click **OK**.
2. When a proxy server is used, click Internet Options on the Tools menus of Internet Explorer, select Connect tab, click LAN button, and set proxy server.
3. Change Security in Internet options as instructions below
 - On **Tools** menu, click **Internet Options**.
 - Press the **Security** tab.
 - If the camera operates inside of the intranet, click the **Intranet** icon.
 - If the camera operates outside of the intranet, click the **Internet** icon.
 - Click **Custom Level**. This will open the **Security Settings – Internet Zone** screen.

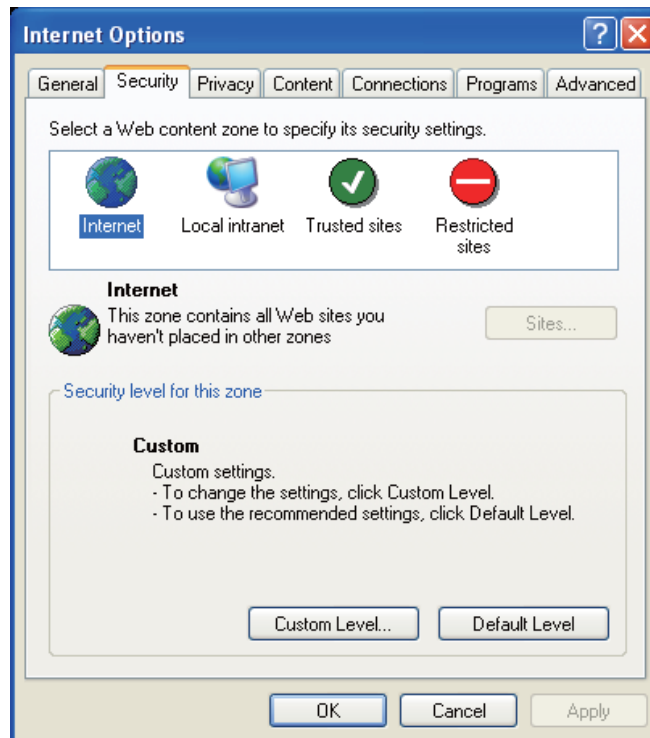


FIGURE 2-11: SECURITY SETTINGS 1/4

- Scroll down to the ActiveX controls and plug-ins radio buttons and set as follows:
 - 【Download signed ActiveX controls】 → Prompt (recommended)
 - 【Download unsigned ActiveX controls】 → Prompt
 - 【Initialize and script ActiveX not marked as safe for scripting】 → Prompt

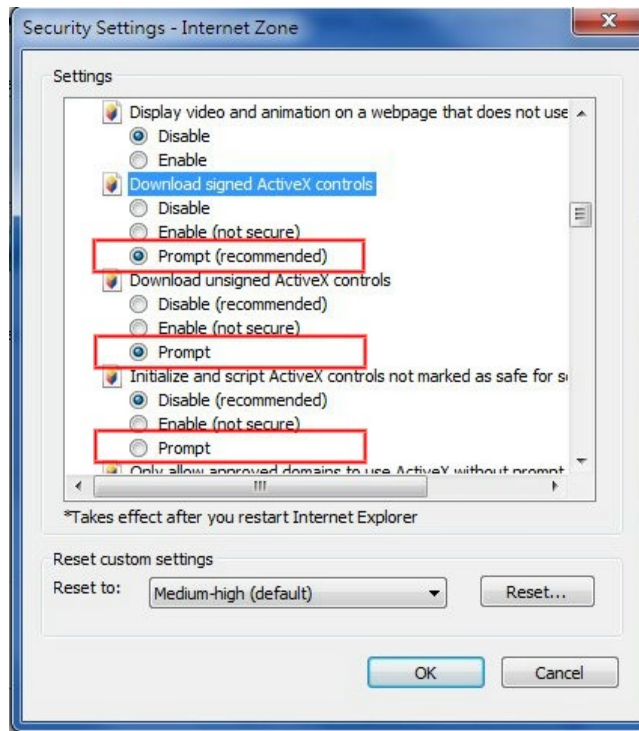


FIGURE 2-12: SECURITY SETTINGS 2/4

- 【Automatic prompting for ActiveX controls】 → Enable

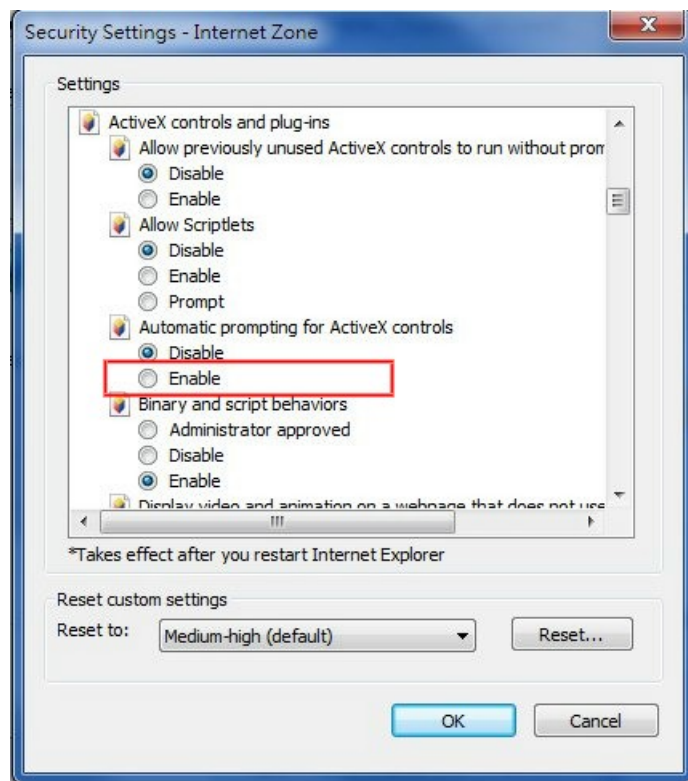


FIGURE 2-13: SECURITY SETTINGS 3/4

【Run ActiveX controls and plug-ins】 → Enable

【Script ActiveX controls marked safe for scripting*】 → Enable

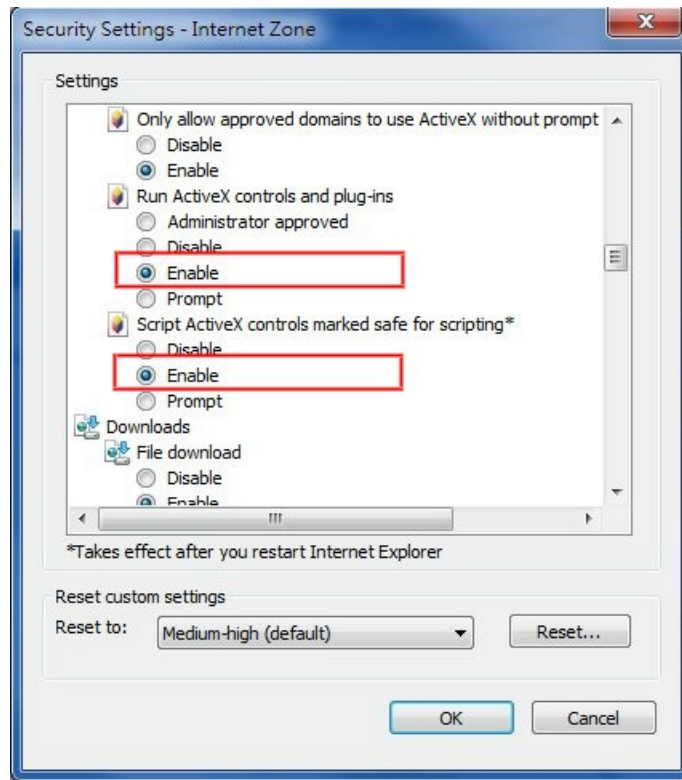


FIGURE 2-14: SECURITY SETTINGS 4/4

- Press OK to save the settings.
- Close all Microsoft Internet Explorer Windows and restart a new window. This will allow the new settings taking effect.
- Type your setting IP address into the browser.
- Then you should be able to see the camera image screen.

2.4 Using the illustra Connect Tool to Manage Cameras

In addition to using the IE browser to access your camera, you can alternatively use the provided tool, illustra Connect.

illustra Connect is a management tool designed to manage your network cameras on the LAN. It can:

- help you find multiple network cameras
- set the IP addresses
- show connection status
- manage firmware upgrades

For further information on Illustra Connect, refer to the Illustra Connect User Guide, located on the CD supplied.