

PORTABLE[®] SPA



EUROPEAN TOUCH

EUROPEAN TOUCH - LIMITED CONDITIONAL* WARRANTY

European Touch Holdings, Inc. ("European Touch") conditionally warrants your whirlpool pedicure spa (the "Pedicure Spa") in accordance with the terms and conditions set forth below for a period of one (1) year commencing on the original date of shipment of the Pedicure Spa to you. The warranty only applies to the Pedicure Spa's original end-user owner or customer (the "Customer"). **This Conditional Warranty is non-transferable and replaces any warranties previously published by European Touch.**

If examination of the Pedicure Spa by European Touch during the applicable warranty period shows it to have a defect in material or workmanship, European Touch will, at its option, repair or replace the defective component or part thereof. Further, European Touch may, at its discretion, replace a defective component or part with a refurbished component or part, or may replace the Pedicure Spa with a refurbished pedicure spa. If European Touch elects to replace the Pedicure Spa, the replacement pedicure spa must be comparable in style and size to the Pedicure Spa. The Customer shall bear all charges incurred for the shipment to it of replacement components or parts, or a replacement pedicure spa, and the cost of all labor incurred in repairing defects in the Pedicure Spa or repairing or replacing any of its defective components or parts.

The foregoing limited warranty does not apply:

- To the Pedicure Spa, or any components or parts thereof, if subjected to misuse or neglect or if accidentally or intentionally damaged.
- To the Pedicure Spa, or any components or part, if altered or modified in any way.
- To any expenses incurred by the Customer or any third party, including labor or material, during investigation, removal or reinstallation of the Pedicure Spa or any defective components or parts.
- To any damage to or impairment of the Pedicure Spa, or any components or parts thereof, caused by any casualty, including without limitation, accident, fire, wind, floods, acts of nature or attempted theft.
- To any workmanship of a fabricator (other than European Touch) or installer of the Pedicure Spa.
- If damage to pump parts and/or motor parts is due to obstructed plumbing.
- If the Pedicure Spa is removed from its place of initial installation.
- To staining, fading, or discoloration of any portion of the Pedicure Spa caused by water additives or improper water treatment.
- To staining, fading or discoloration of the Pedicure Spa's upholstered seat, armrests or footrests.
- To malfunctions or damage caused by improper installation of the Pedicure Spa, including, but not limited to, failure to meet local, state, or local plumbing, electrical and building codes.
- To damage resulting from a person standing in the Pedicure Spa's basin or other similar stress to that basin.
- To freight damage.
- To damage incurred to the Pedicure Spa while in possession of any party other than European Touch.

This foregoing conditional limited warranty is also conditional upon:

- The Pedicure Spa being installed by a licensed professional in accordance with European Touch's installation instructions.
- The proper use of cleaning and sanitizing solutions in accordance with the manufacturer's instructions, or state board. It must be noted that repeated use of concentrated sodium hypochlorite solutions (chlorine bleach), concentrated ether solutions, or acetone will damage chrome and plumbing components and will void the limited warranty on those parts. European Touch recommends that you thoroughly read labels and use sanitizing products void of these chemicals.

- Use of this pedicure spa for functions it was not created for, including, but not limited to, ionic detox or any process that operates by reverse electroplating; this use will destroy plated parts and void the warranty.
- Shipment, if requested, to European Touch of Pedicure Spa parts or components thought to be defective. Parts or components may only be returned if authorized in advance by European Touch. All returns must be freight prepaid.
- Determination by European Touch, in its reasonable discretion, that there exists a defect in material or workmanship.

Repair or replacement of any part or component under this Limited Warranty, or furnishing a replacement pedicure spa, shall not extend the duration of the warranty with respect to such repaired or replaced part beyond the stated warranty period. When a part or component is replaced, it will be under warranty for 90 days, or for the remaining life of original warranty, whichever period is greater.

Customer agrees by using the Pedicure Spa that

- **THE OBLIGATION OF EUROPEAN TOUCH SHALL NOT EXTEND TO INDIRECT OR CONSEQUENTIAL DAMAGES OR INJURY WHICH MAY RESULT FROM SUCH USE**
- that the obligations of European Touch are limited to those set forth herein
- this warranty is limited to the original owner/end-user and is non-transferable
- European Touch shall not be liable for any other obligations or liabilities, including, but not limited to: obligations or liabilities arising out of breach of contract or warranty, negligence, or other tort or any theory of strict liability with respect to the Pedicure Spa or parts or components thereof or any acts or omissions of European Touch
- Any assistance European Touch provides to the Customer outside of terms, limitations, or exclusions of this limited warranty will not constitute a waiver of any of the foregoing terms, limitations, or exclusions, nor will such assistance extend or revive the warranty.

THIS LIMITED WARRANTY IS IN LIEU OF ALL OTHER WARRANTIES, EITHER EXPRESS OR IMPLIED, AND ALL SUCH OTHER WARRANTIES, INCLUDING WITHOUT LIMITATION, IMPLIED WARRANTIES OF MERCHANTABILITY OR FITNESS FOR A PARTICULAR PURPOSE, ARE HEREBY DISCLAIMED AND EXCLUDED FROM THIS LIMITED WARRANTY. NO DEALER OR OTHER PERSON HAS ANY AUTHORITY TO BIND EUROPEAN TOUCH TO CHANGES OR ADDITIONS TO THIS WARRANTY OR ITS PRODUCTS. ACCORDINGLY, EUROPEAN TOUCH IS NOT RESPONSIBLE FOR ANY SUCH OUTSIDE WARRANTIES OR REPRESENTATIONS.

IN NO EVENT SHALL EUROPEAN TOUCH BE LIABLE IN ANY WAY FOR ANY CONSEQUENTIAL, SPECIAL, OR INCIDENTAL DAMAGES OF ANY NATURE WHATSOEVER, OR FOR ANY AMOUNTS IN EXCESS OF THE SELLING PRICE OF THE PEDICURE SPA OR ANY COMPONENTS OR PARTS THEREOF FOUND TO BE DEFECTIVE. THIS LIMITED WARRANTY GIVES THE CUSTOMER SPECIFIC LEGAL RIGHTS. THE CUSTOMER MAY ALSO HAVE OTHER RIGHTS WHICH MAY VARY BY EACH JURISDICTION.

Should your Pedicure Spa require service due to a defect or malfunction, please contact:

European Touch – Technical Support
800.626.6912 | 414.357.7016 | f: 414.357.6360
email: service@europeantouch.com
website: www.europeantouch.com



EUROPEAN TOUCH[™] OWNERS MANUAL For

PORTABLE SPA

IMPORTANT INFORMATION

Serial Number: _____

Work Order Number: _____

Installed by: _____

Installation Date: _____

The serial number and work order number are located on or near the UL label under the spa.



Locate the serial number
and work order number
on the back of the Spa.



EUROPEAN TOUCH™

TABLE OF CONTENTS

EUROPEAN TOUCH - LIMITED CONDITIONAL* WARRANTY	2
IMPORTANT INFORMATION	4
INTRODUCTION	6
IMPORTANT SAFETY INSTRUCTIONS	6
DANGER	7
WARNINGS	7
HEALTH RISK WARNING	7
PEDICURE SPA SPECIFICATIONS.....	8
PORTABLE SPA OPERATING INSTRUCTIONS	9
ELECTRICAL OUTLET	9
FILLING AND RUNNING THE PETITE SPA	9
DRAINING THE PORTABLE SPA	10
PEDICURE PRODUCT GUIDELINES.....	11
PIPE-FREE SPA CLEANING AND DISINFECTING PROCEDURES	12
DAILY CLEANING LOG	13
EUROPEAN TOUCH MOTOR SYSTEM	15
LOCKING CAP	15
CLEANING PROCEDURE	15
REPLACEMENT PARTS	16
FULL ASSEMBLY.....	16
HOSE KIT	18
PDP KIT	18
HISTORY AND NOTES.....	19



EUROPEAN TOUCH™

INTRODUCTION

Thank you for selecting EUROPEAN TOUCH, the leading designer, manufacturer, and marketer of pedicure spas in North America. The Portable Spa™ (herein referred to as pedicure spa) is an innovative pedicure spa that has been designed to serve you dependably for many years. Please take time to thoroughly read this entire manual before installation and use. If you have any problems or have questions regarding your pedicure spa, please contact EUROPEAN TOUCH's Technical Support Department at **1-800-626-6912**, Monday through Friday 8 AM to 5 PM CST. After hours calls are recorded and attended to the next business day.

IMPORTANT SAFETY INSTRUCTIONS

When using an electrical appliance, basic precautions should always be followed, including the following:

Read all instructions before using the Pedicure Spa.

WARNING – To reduce the risk of burns, fire, electric shock, or injury to persons:

- 1) Use the Pedicure Spa only for its intended use as described in this manual. Do not use attachments not recommended by the manufacturer.
- 2) Never operate the Pedicure Spa if it has a damaged cord or plug, if it is not working properly, if it has been dropped or damaged, or dropped into water.
- 3) Never drop or insert any object into any opening.
- 4) Do not use outdoors.
- 5) Do not operate where aerosol (spray) products are being used or where oxygen is being administered.

Save These Instructions





EUROPEAN TOUCH™ DANGER

- 1) Never use pins or other metallic fasteners with this appliance.
- 2) Carefully examine the covering before each use.
- 3) Discard the appliance if the covering shows any sign of deterioration, such as checking, blistering, or cracking.
- 4) Keep Electrical Components Dry – Do not operate in a wet or moist condition.

WARNINGS

- 1) WARNING: RISK OF ELECTRIC SHOCK; do not permit electric appliances (such as a hair dryer, lamp, telephone, radio, or television) within 1.5M of this hydro massage bathtub.
- 2) Temperatures sufficiently high to cause burns may occur regardless of the control setting.
 - a. Do not use on...
 - Infants
 - Invalids
 - Sleeping or unconscious person.
 - b. Do not use on...
 - Insensitive skin
 - Person with poor blood circulation.

Note: Check the skin in contact with the heated area of the appliance frequently to reduce the risk of blistering.

- 3) Excessive water temperature is dangerous and should be checked before use. Maximum operating water temperature should not exceed 105° F (41° C).
- 4) Always enter and exit the pedicure spa slowly and carefully.
- 5) This pedicure spa has a weight capacity of 350 pounds.
- 6) Do not stand on or in appliance, use only while seated.
- 7) Connect this appliance to a properly grounded outlet only. See Grounding Instructions within the install manual.

Note: Always verify maximum temperatures with your local & state codes.

HEALTH RISK WARNING

Individuals whose feet or legs are inflamed or have open wounds should not be allowed to use the pedicure spa at any time. Nail technicians should advise clients to consult their physician before using the pedicure spa if there is any sign of fungal infection, swelling, fracture, or persistent pain. In some cases diabetics may experience improved circulation in their feet, but should first consult their physician prior to receiving a pedicure.

If the client experiences any pain or discomfort discontinue the use of the pedicure spa immediately.



EUROPEAN TOUCH[™] PEDICURE SPA SPECIFICATIONS

SHIPPING INFORMATION

Dimensions: 48"L (165cm) x 40W (84cm) x 41"H (104cm) – includes Spa, carton, and pallet
Weight: 140 lbs. (117 kg) - includes spa, carton, pallet

SPA INFORMATION

Overall Dimensions: 66"L (152.4cm) x 27"W (68.6cm) x 49"H (125cm)
Empty Weight (Complete): 125lbs (57kg)
Water Fill Line Capacity: 4.5-5.5 U.S. gallons to accommodate 5'1" to 6'8" Clients
Whirlpool Pump Motor: 1/6 HP, 110V, 60Hz
Power Source: 110V AC, 2.75 Amps, 60 Hz (GFCI Protected)

► Caution: Pedicure spa must conform to all local and national electrical codes

Construction: Linear Low Density Polyethylene (LLDPE), self-contained, pre-plumbed
Pipe-Free[®] Technology: No closed loop circulating pipes, fully drained, easy to clean and sanitize.
Electrical Switches: On/Off switch for water movement motor and drain pump control.
Compliances: Tested according to UL 1951:2008, CAN/CSA C22.8 No. 68-92:2006, ASME/ANSI A112.19.7M:1995, ASTM D2564-84
Limited Warranty: One (1) year on parts from date of shipment. Labor is not included.

*NOTE: Due to our policy of continuous improvements, all specifications are subject to change without notice.
All dimensions and weights are approximate*





EUROPEAN TOUCH™ PORTABLE SPA OPERATING INSTRUCTIONS

ELECTRICAL OUTLET

Your Petite Spa™ should be conveniently located near adequate utilities during use. A 115v, 60hz GFCI protected outlet must be used. Do not operate the pedicure spa without GFCI protection. The Petite Spa™ is also available in a 100v and 220v version. Warning: Do not use extension cords with the pedicure spa.

FILLING AND RUNNING THE PETITE SPA



Replace the faucet aerator with the faucet adaptor included in the hose kit.

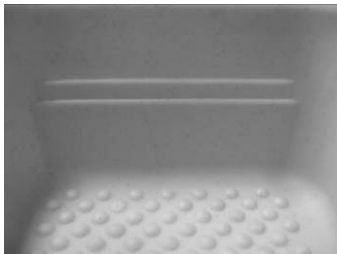


Screw the white quick connect adaptor into the blue female hose. Connect the adaptor to the faucet by sliding the white sleeve down while sliding the connector onto the faucet adaptor.



The discharge valve is located at the bottom of the spa. **Make sure that the valve is closed before filling with water.**

The discharge valve is closed when the valve handle is horizontal.



Fill the spa with warm water. It is not recommended that the water temperature exceeds 105 degrees F.

Fill the tub with water up to the desired line on the back tub wall.

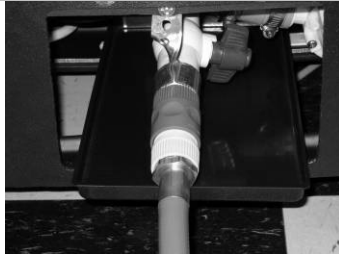


The on/off button is located on the front of the unit. Push the left side of the switch once to start the spa, push it again to stop the spa.



EUROPEAN TOUCH™

DRAINING THE PORTABLE SPA



Screw the orange disconnect adapter to the male hose. Slide the orange quick connect onto the discharge valve. Make sure that the connection is secure.



Route the discharge hose into a drain or sink.



Open the discharge valve by turning the handle so that it is straight with the discharge valve.



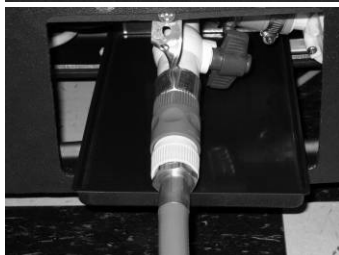
Turn the Overfill knob to open the drain plunger



Make sure the hose is secure, and then press the on/off drain button is located on the front of the unit

Run the pump until the water stops draining out of the hose. It is normal for a low volume of water to run out of the jets while the spa is draining.

Turn the spa off by pushing the on/off button

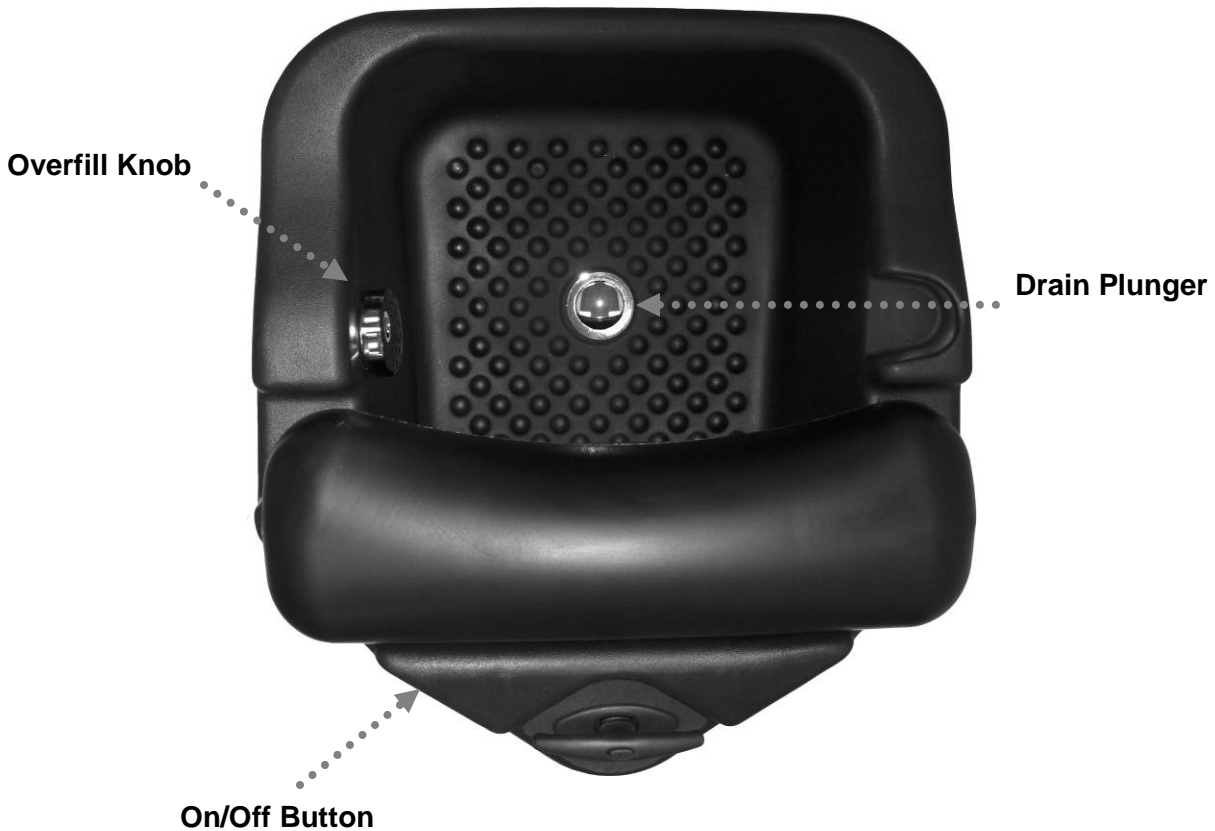


Close the discharge valve handle and disconnect the drain hose from the discharge valve.

Pull the drip pan out about halfway and slowly open the discharge valve. Drain the remaining water into the drip pan and pour the water into a drain or sink. Repeat this until there is no more water draining out. Once this is done, close the discharge valve handle.



EUROPEAN TOUCH™



Note: Pressing with finger nails, rather than the pads of fingers, will damage the on/off switch and will not be covered under the warranty.

PEDICURE PRODUCT GUIDELINES

Because there are so many different products on the market, it is difficult to list all of the pedicure products that are safe to use in our pedicure spas. However, the following guidelines can be used:

- It is your responsibility to understand and follow your state's regulations regarding product cleaning and disinfecting requirements.
- Do not use any products containing a foaming agent; this will cause excessive foam.
- It has been determined that products containing non-dissolving abrasives (such as sand and sea salts) will not harm the internal component structure of your pedicure spa as long as the entire EUROPEAN TOUCH cleaning requirements are followed without deviation.
- Oil based products may be used in your pedicure spa as long as the cleaning requirements are met.
- Please use pedicure products and cleaning solutions in accordance with each manufacturer's directions.

EUROPEAN TOUCH pedicure spas will give you many years of service as long as proper precautions, precise cleaning, and operating instructions are followed. It is the responsibility of the pedicure spa user to properly clean and maintain the pedicure spa.



EUROPEAN TOUCH™

PIPE-FREE SPA CLEANING AND DISINFECTING PROCEDURES

Always check with your state board for required cleaning and disinfecting procedures.

It is extremely important to clean and disinfect your pedicure spa after each pedicure, after the last pedicure of the day, and once a week for overnight cleaning. Regular cleaning will help keep your pedicure spa in good working condition. Proper and continuous cleaning will kill harmful bacteria and germs that can cause infection. To clean your pedicure spa equipped with Pipe-Free technology, follow these easy steps.

Procedures for Cleaning and Disinfecting Pipe-Free Pedicure spas

After use upon each patron, each Pipe-Free Pedicure spa shall be cleaned and disinfected in the following sequence:

- (1) All water shall be drained from the spa basin.
- (2) Remove Pipe-Free Cover by turning clockwise.
- (3) Using handheld sprayer, rinse side walls of basin, pipe free jet and pipe free cover of all residue and debris.
- (4) Scrub all visible residue from the Pipe-Free Cover, inside walls of the basin, and/or other components and the areas behind or under each with a clean brush and liquid soap (labeled as such on soap product) and water. Rinse with clean water.
- (4) Reinsert the properly cleaned Pipe-Free Cover over jet.

Disinfecting with water filled basin directions:

- (1) Refill the basin with clean water and circulate the correct amount (read the label for mixing instructions) of the EPA-registered hospital-liquid disinfectant, which the label claims is a bactericide, fungicide, and virucide, through the basin for at least 10 minutes.
- (2) Drain, rinse and wipe the basin dry with a clean paper towel.
- (3) Record this procedure in the pedicure-cleaning log. The log shall contain the date and time of each cleaning, initials of the person who completed the procedure, and shall indicate that the cleaning was done after a client.

Disinfecting with Ready to Use (RTU) products and surface saturation directions:

- (1) Spray to saturate inside of basin, all basin walls and area inside Pipe-Free Jet area with EPA registered disinfectant and allow sitting for at least 10 minutes.
- (2) Submerged Pipe-Free Cover in container of EPA registered disinfectant for at least 10 minutes OR spray Pipe-Free Cover to saturate with EPA registered disinfectant and lay inside basin for a minimum of 10 minutes.
- (3) Rinse and wipe the basin dry with a clean paper towel. Follow step (4) above.

At the end of every day and after performing the procedures provided in subsection (b) (1 through 6) and after the last client, each pipe-free pedicure spa shall be cleaned and disinfected in the following sequential manner:

- (1) Fill the basin with warm water and detergent (labeled as such on detergent product) and circulate the detergent through the spa system for at least 10 minutes.
- (2) Drain the detergent solution and rinse the basin.
- (3) Refill the basin with clean water and circulate the correct amount (read the label for mixing instructions) of the EPA-registered hospital-liquid disinfectant which the label claims is a bactericide, fungicide, and virucide, through the basin for at least 10 minutes.
- (4) Drain, rinse and wipe the basin dry with a clean paper towel.
- (5) Allow the basin to dry completely.
- (6) Record this procedure in the pedicure-cleaning log. The log shall contain the date and time of each cleaning, initials of the person who completed the procedure, and shall indicate that the cleaning was done at the end of the day.

At least once each week, after completing the procedures provided in subsection (c) (1 through 3), and the disinfectant solution in each pipe-free pedicure spa shall not be drained and the following sequential procedures shall be followed:

- (1) The unit shall be turned off and the disinfecting solution shall be left in the unit undisturbed for 6 to 10 hours.
- (2) After the disinfectant solution has been sitting between 6 to 10 hours, rinse and wipe the basin dry with a clean paper towel.
- (3) Record this procedure in the pedicure-cleaning log. The log shall contain the date and time of each cleaning, initials of the person who completed the procedure, and shall indicate that the cleaning was done weekly.

The pedicure-cleaning log shall be made available upon request by either a patron or a state board representative.

A violation of this section may result in an administrative fine and/or disciplinary action.

CAUTION: Cleaning products that contain abrasives can damage the pedicure spa. Use only non-abrasive products to clean your spa.



EUROPEAN TOUCH™

EUROPEAN TOUCH MOTOR SYSTEM

LOCKING CAP

The European Touch motor system has the added protection feature of being lockable.

1. Place the cap into position and turn clockwise until the locking pin is at the top right corner of the motor mount
2. To remove cap the use of a tool is required
3. Insert tool shown in diagram (below) adjacent to locking pin
4. Gently turn the cap counter-clockwise to remove cap



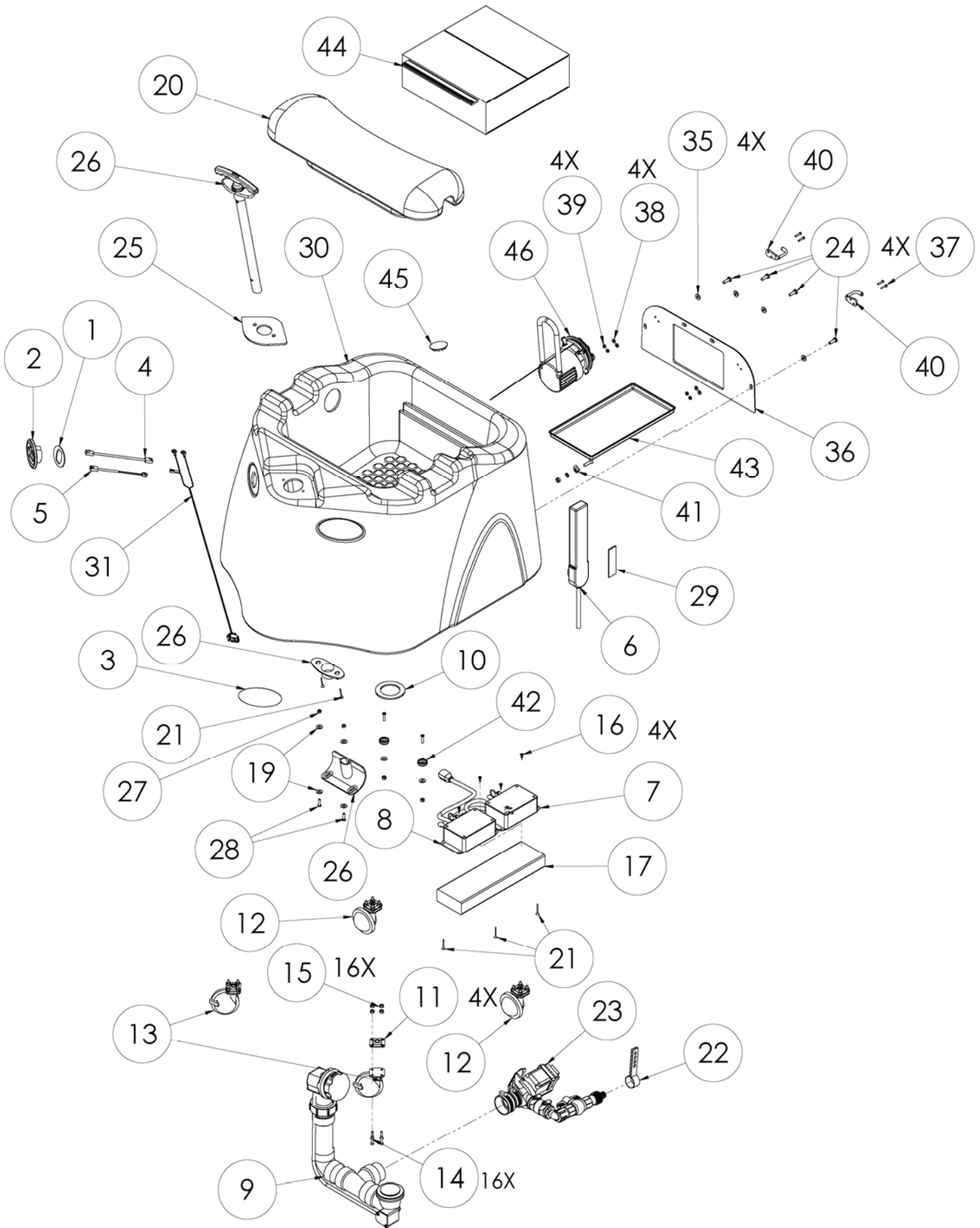
CLEANING PROCEDURE

1. Gently turn the cover counter-clockwise to remove it (this will expose the entire water chamber)
2. Use anti-bacterial soap or a solution 3% hydrogen peroxide to wipe the inner chamber. **DO NOT use chlorine or chlorinated products (such as diluted bleach) as this will damage the plastics and VOID your warranty**
3. Clean air supply line by gently sliding a “Q-Tip” (dipped in 3% hydrogen peroxide) into the air canal
4. Replace the cap by gently turning it clockwise until snug (no need to over-tighten)

REPLACEMENT PARTS

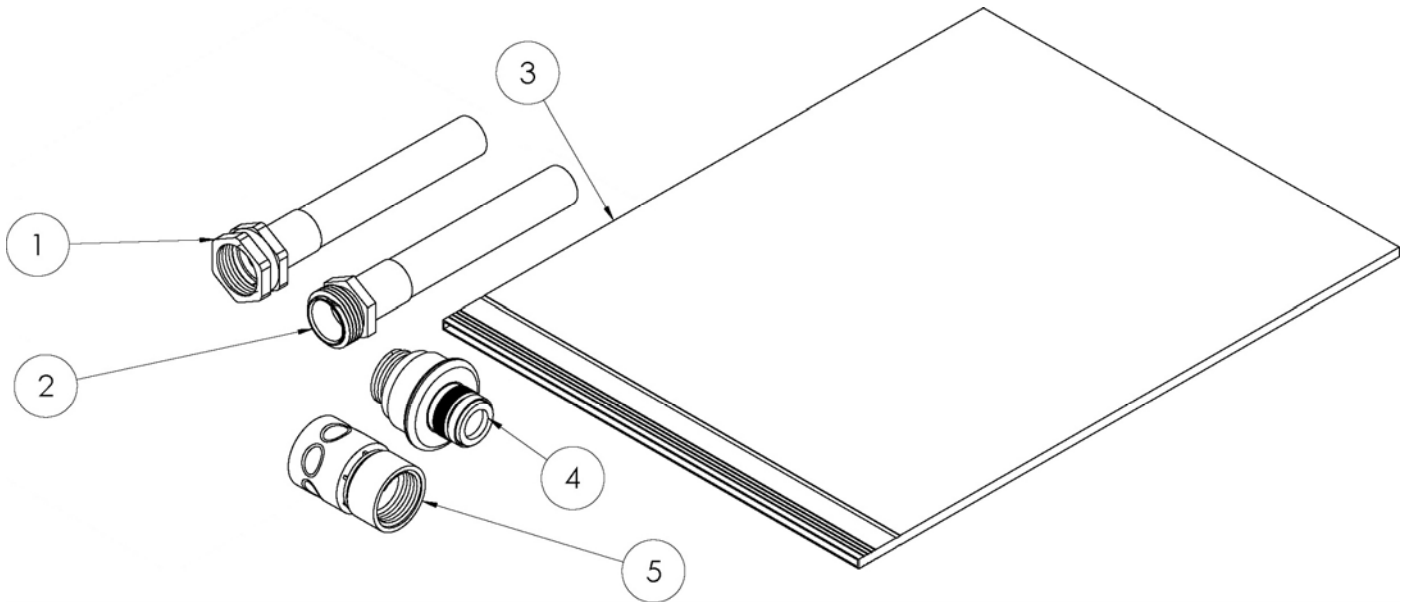
FULL ASSEMBLY

ITEM NO	PART NUMBER	DESCRIPTION	QTY
1	30010221	GASKET BUTTON SWITCH	1
2	30042000	SWITCH MEMBRANE ON/OFF TWO POSITION CT	1
3	39031501	LABEL ET LOGO YU SPA	1
4	14040151	CABLE MODULAR BUTTON	1
5	31041401	CABLE WATER MOVEMENT CT DROP IN BASIN	1
6	00040100	POWER STRIP	1
7	14040422	CONTROL BOX DRAIN PUMP PIPEFREE SCS	1
8	14040424	CONTROL BOX JET PIPEFREE SCS	1
9	39010003	DRAIN KIT PDP YU SPA	1
10	15000006	GASKET DRAIN ASSEMBLE	1
11	01130001	CASTER PLATE PS	4
12	01130010	CASTER BALL BACK PS	2
13	01130002	CASTER BALL FRONT LOCK PS	2
14	12130004	SCREW 10-32 X 1 FH PHILLIPS DRIVE	18
15	12130054	NUT 10-32 NYLON INSERT SS LOCK	18
16	06130025	SCREW DRYWALL 8 X 3/4 BLACK	4
17	39050001	WOOD 2" x 4" x 12" YU SPA	1
18	12130041	BOLT 1/4-20 X 3/4 HEX CAP GR5 ZN	1
19	12130023	WASHER 1/4 FLAT STEEL CAD	6
20	39000002	FOOTREST PAD LARGE YU SPA	1
21	03130009	SCREW DRYWALL 1-1/4 IN	5
22	01020003	PS DISCHARGE VALVE BRACKET	1
23	39150003	ASM PDP PORTABLE YU SPA	1
24	39130008	BOLT 1/4-20 X 3/4 HHCS 18-8 BLACK	4
25	39010011	PANEL FAUCET COVER YU SPA	1
26	39000001	HANDLE PORTABLE YU SPA	1
27	12130012	NUT 8-32 NYLON INSERT LOCK	2
28	12130026	SCREW WATER LEVEL SENSOR 8-32 X 3/4 PH T	2
29	08070010	TAPE FOAM ADHESIVE DOUBLE SIDED	.75'
30	3901010X(0-4,9)	BASIN SHELL STYLE 1 YU SPA	1
31	14130004	WIRE WATER DETECTION PIPEFREE SCS	1
32	03130015	NUT 1/4-20 HEX FINISH ZN	4
33	03130022	SCREW SWIVEL 1/4-20 X 1 IN PH FLAT	3
34	12130060	WASHER 1/4 STAR	4
35	39130007	WASHER FLAT 1/4 HHCS 18-8 BLACK	4
36	39010010	PANEL BASIN ACCESS YU SPA	1
37	39130006	SCREW 6-32 X 3/4 PH BOLT BLACK	4
38	03130026	WASHER NUMBER 8 BOLT	4
39	12130011	6-32 NYLON INSERT LOCK NUT	4
40	42130000	HOOK UTILITY	2
41	30130100	LOOP RUBBER CUSHIONED STEEL	1
42	15000000	MAGNET BODY PANEL MOUNT	4
43	42010000	SPILL TRAY	1
44	39150009	KIT GRAY HOSE PORTABLE YU SPA	1
45	39020007	PLUG STEEL FOR 1-5/8" HOLE PAINTED BLACK	1
46	39150007	ASM MOTOR EUROPEAN TOUCH SYSTEM	1



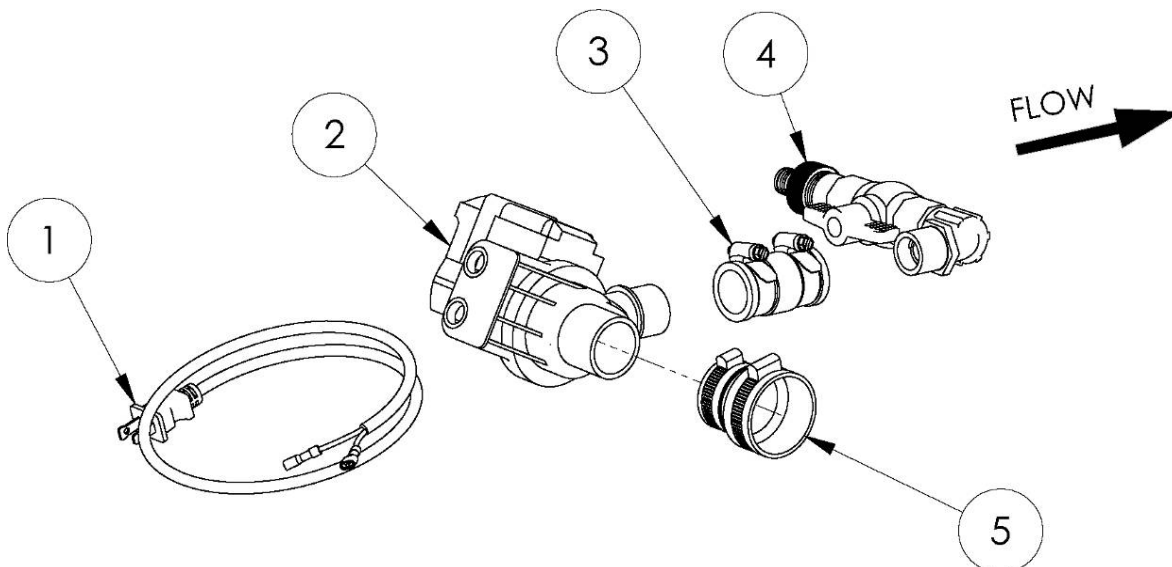
HOSE KIT

ITEM NO	PART NUMBER	DESCRIPTION	QTY
1	01010046	PS GRAY FEMALE FILL HOSE	1
2	01010045	PS GRAY MALE DRAIN HOSE	1
3	39150004	KIT MANUAL PORTABLE YU SPA	1
4	01010013	QUICK DISCONNECT CHROME	1
5	01010011	ORANGE QUICK CONNECT	1



PDP KIT

ITEM NO	PART NUMBER	DESCRIPTION	QTY
1	14040477	CORD POWER DRAIN PUMP PIPEFREE SCS	1
2	08040005	PUMP PDP 110V DPO 40	1
3	14010113	COUPLER 1" IN	1
4	39010004	DRAIN KIT PORTABLE YU SPA	1
5	12010235	CONNECTOR FLEXIBLE DRAIN 1.5IN X 1.25IN	1



HISTORY AND NOTES



EUROPEAN TOUCH™

**EUROPEAN TOUCH
8301 W. Parkland Court
Milwaukee, WI 53223**

**Phone Number: 1-414-357-7016
Toll Free: 1-800-626-6912
Fax: 1-414-357-6360**

**Web Site: www.europeantouch.com
Email: info@europeantouch.com**