



FREEZERATOR® CONVERTIBLE REFRIGERATOR/FREEZER

Use & Care Guide

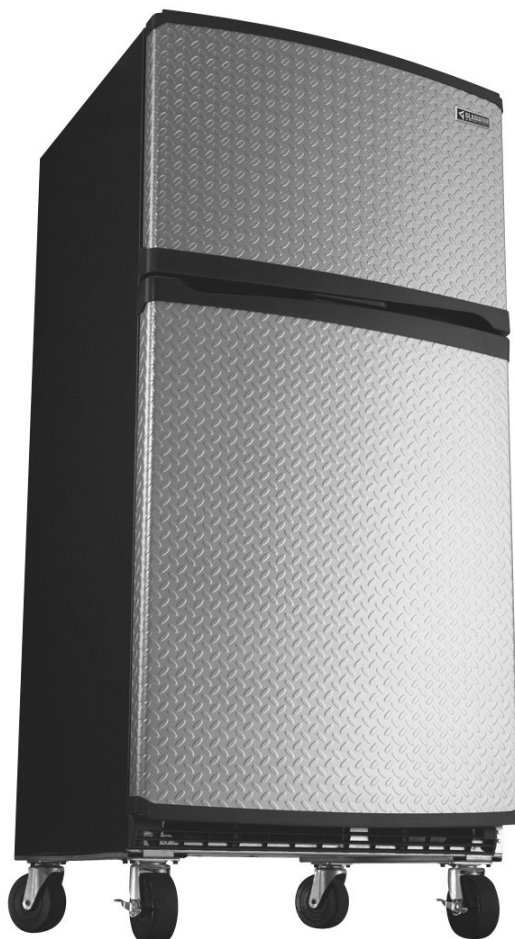
REFRIGERADOR/CONGELADOR CONVERTIBLE FREEZERATOR®

Manual de uso y cuidado

RÉFRIGÉRATEUR/CONGÉLATEUR CONVERTIBLE FREEZERATOR®

Guide d'utilisation et d'entretien

Table of Contents/Índice/Table des matières.....2



**IT'S TIME TO RETHINK THE GARAGE.®
ES TIEMPO DE VOLVER A PENSAR EN EL GARAGE.™
LE GARAGE REPENSÉ.™**

TABLE OF CONTENTS

CONVERTIBLE REFRIGERATOR/FREEZER SAFETY	3	LOWER COMPARTMENT FEATURES	10
Proper Disposal of Your Old Refrigerator.....	3	Shelves	10
INSTALLATION INSTRUCTIONS	4	Baskets	10
Unpack the Refrigerator.....	4	DOOR FEATURES	11
Location Requirements.....	4	Door Rails	11
Electrical Requirements	5	Door Bins	11
Convertible Refrigerator/Freezer Doors.....	5	Wire Door Shelf.....	11
Adjust the Doors	7	Can Rack	11
Caster Installation.....	7	CONVERTIBLE REFRIGERATOR/FREEZER CARE	12
Normal Sounds	8	Cleaning.....	12
CONVERTIBLE REFRIGERATOR/FREEZER USE	9	Changing the Light Bulbs.....	12
Ensuring Proper Air Circulation.....	9	Power Interruptions	12
Using the Controls	9	Vacation and Moving Care.....	12
UPPER COMPARTMENT FEATURES	10	TROUBLESHOOTING	13
Upper Compartment Shelf.....	10	ASSISTANCE OR SERVICE	14
Upper Compartment Floor.....	10	In the U.S.A.....	14
		In Canada.....	14
		WARRANTY	15

ÍNDICE

SEGURIDAD DEL REFRIGERADOR/CONGELADOR CONVERTIBLE	16	CARACTERÍSTICAS DEL COMPARTIMIENTO INFERIOR	25
Cómo deshacerse adecuadamente de su refrigerador viejo	16	Estantes	25
INSTRUCCIONES DE INSTALACIÓN	17	Canastillas.....	25
Desempaque el refrigerador	17	CARACTERÍSTICAS DE LA PUERTA	26
Requisitos de ubicación.....	17	Rieles de la puerta	26
Requisitos eléctricos.....	18	Recipientes de la puerta.....	26
Puertas del refrigerador/congelador convertible.....	18	Estante de alambre para la puerta	26
Ajuste las puertas.....	21	Portalatas.....	26
Instalación de las ruedecillas	21	CUIDADO DEL REFRIGERADOR/ CONGELADOR CONVERTIBLE	26
Sonidos normales	23	Limpieza.....	26
USO DEL REFRIGERADOR/CONGELADOR CONVERTIBLE	23	Cómo cambiar los focos	27
Cómo asegurar la debida circulación de aire.....	23	Cortes de corriente.....	27
Uso de los controles	23	Cuidado durante las vacaciones y mudanzas	27
CARACTERÍSTICAS DEL COMPARTIMIENTO SUPERIOR	24	SOLUCIÓN DE PROBLEMAS	28
Estante del compartimiento superior.....	24	AYUDA O SERVICIO TÉCNICO	30
Base del compartimiento superior.....	25	En los EE.UU.	30
		En Canadá	30
		GARANTÍA	31

TABLE DES MATIÈRES

SÉCURITÉ DU RÉFRIGÉRATEUR/ CONGÉLATEUR CONVERTIBLE	32	CARACTÉRISTIQUES DU COMPARTIMENT INFÉRIEUR	41
Mise au rebut de votre vieux réfrigérateur.....	32	Tablettes	41
INSTRUCTIONS D'INSTALLATION	33	Paniers	41
Déballage du réfrigérateur	33	CARACTÉRISTIQUES DE LA PORTE	42
Exigences d'emplacement.....	33	Tringles dans la porte	42
Spécifications électriques.....	34	Balconnets dans la porte.....	42
Portes du réfrigérateur/congélateur convertible.....	34	Tablette métallique de porte.....	42
Ajustement des portes	37	Porte-cannettes	42
Installation des roulettes	37	ENTRETIEN DU RÉFRIGÉRATEUR/ CONGÉLATEUR CONVERTIBLE	42
Sons normaux	39	Nettoyage	42
UTILISATION DU RÉFRIGÉRATEUR/ CONGÉLATEUR CONVERTIBLE	39	Remplacement des ampoules d'éclairage.....	43
Pour assurer une circulation d'air correcte.....	39	Pannes de courant	43
Utilisation des commandes	39	Entretien avant les vacances ou lors d'un déménagement.....	43
CARACTÉRISTIQUES DU COMPARTIMENT SUPÉRIEUR	40	DÉPANNAGE	44
Tablette du compartiment supérieur	40	ASSISTANCE OU SERVICE	46
Fond du compartiment supérieur	40	GARANTIE	47

CONVERTIBLE REFRIGERATOR/FREEZER SAFETY

Your safety and the safety of others are very important.

We have provided many important safety messages in this manual and on your appliance. Always read and obey all safety messages.



This is the safety alert symbol.

This symbol alerts you to potential hazards that can kill or hurt you and others.

All safety messages will follow the safety alert symbol and either the word "DANGER" or "WARNING."

These words mean:

! DANGER

You can be killed or seriously injured if you don't immediately follow instructions.

! WARNING

You can be killed or seriously injured if you don't follow instructions.

All safety messages will tell you what the potential hazard is, tell you how to reduce the chance of injury, and tell you what can happen if the instructions are not followed.

IMPORTANT SAFETY INSTRUCTIONS

WARNING: To reduce the risk of fire, electric shock, or injury when using your convertible refrigerator/freezer, follow these basic precautions:

- Plug into a grounded 3 prong outlet.
- Do not remove ground prong.
- Do not use an adapter.
- Do not use an extension cord.
- Disconnect power before servicing.
- Replace all parts and panels before operating.
- Use nonflammable cleaner.
- Keep flammable materials and vapors, such as gasoline, away from convertible refrigerator/freezer.
- Use two or more people to move and install convertible refrigerator/freezer.
- Remove doors or lid from your old freezer or refrigerator.

SAVE THESE INSTRUCTIONS

Proper Disposal of Your Old Refrigerator

! WARNING

Suffocation Hazard

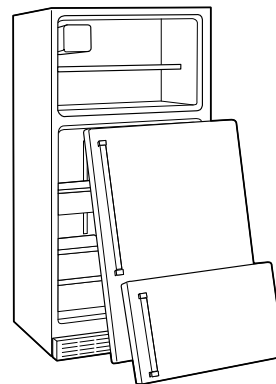
Remove doors from your old refrigerator.

Failure to do so can result in death or brain damage.

IMPORTANT: Child entrapment and suffocation are not problems of the past. Junked or abandoned refrigerators are still dangerous – even if they will sit for “just a few days.” If you are getting rid of your old refrigerator, please follow these instructions to help prevent accidents.

Before You Throw Away Your Old Refrigerator

- Take off the doors.
- Leave the shelves in place so that children may not easily climb inside.



INSTALLATION INSTRUCTIONS

Unpack the Refrigerator

⚠ WARNING

Excessive Weight Hazard

Use two or more people to move and install convertible refrigerator/freezer.

Failure to do so can result in back or other injury.

Remove the Packaging

- Remove tape and glue residue from surfaces before turning on the convertible refrigerator/freezer. Rub a small amount of liquid dish soap over the adhesive with your fingers. Wipe with warm water and dry.
- Do not use sharp instruments, rubbing alcohol, flammable fluids, or abrasive cleaners to remove tape or glue. These products can damage the surface of your convertible refrigerator/freezer. For more information, see "Convertible Refrigerator/Freezer Safety."

When Moving Your Convertible Refrigerator/Freezer:

Your convertible refrigerator/freezer is heavy. When moving the convertible refrigerator/freezer for cleaning or service, be sure to protect the floor. Always pull the convertible refrigerator/freezer straight out when moving it. Do not wiggle or "walk" the convertible refrigerator/freezer when trying to move it, as floor damage could occur.

NOTE: If casters are installed, unlock the casters before trying to move your convertible refrigerator/freezer.

Clean Before Using

After you remove all of the packaging materials, clean the inside of your convertible/refrigerator freezer before using it. See the cleaning instructions in "Convertible Refrigerator/Freezer Care."

Ice Maker

Ice maker option not available.

Location Requirements

⚠ WARNING



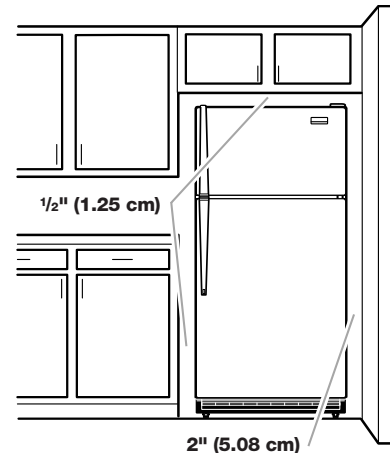
Explosion Hazard

Keep flammable materials and vapors, such as gasoline, away from convertible refrigerator/freezer.

Failure to do so can result in death, explosion, or fire.

To ensure proper ventilation for your convertible refrigerator/freezer, allow for 1/2" (1.25 cm) space on each side and at the top. When installing your convertible refrigerator/freezer next to a fixed wall, leave 2" (5.08 cm) minimum on the hinge side (some models require more) to allow for the door to swing open.

NOTE: It is recommended that you do not install the convertible refrigerator/freezer near an oven, radiator, or other heat source where the temperature will rise above 110°F (43°C), nor in a location where the temperature will fall below 0°F (-17°C).



Electrical Requirements

⚠ WARNING



Electrical Shock Hazard

Plug into a grounded 3 prong outlet.

Do not remove ground prong.

Do not use an adapter.

Do not use an extension cord.

Failure to follow these instructions can result in death, fire, or electrical shock.

Before you move your convertible refrigerator/freezer into its final location, it is important to make sure you have the proper electrical connection. Your convertible refrigerator/freezer is equipped with a longer power cord for easier placement and movement.

Recommended Grounding Method

A 115 Volt, 60 Hz., AC only 15- or 20-amp fused, grounded electrical supply is required. It is recommended that a separate circuit serving only your convertible refrigerator/freezer be provided. Use an outlet that cannot be turned off by a switch. Do not use an extension cord.

NOTE: Before performing any type of installation, cleaning, or removing a light bulb, turn the lower compartment control to OFF, and then disconnect the convertible refrigerator/freezer from the electrical source. When you are finished, reconnect the convertible refrigerator/freezer to the electrical source and reset the control to the desired setting.

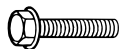
Convertible Refrigerator/Freezer Doors

TOOLS NEEDED: 5/16" hex-head socket wrench, #2 Phillips screwdriver, flat-blade screwdriver, 5/16" open-end wrench, flat 2" putty knife.

IMPORTANT:

- Remove food and any adjustable door or utility bins from doors.
- If you only want to remove and replace the doors, see "Remove Doors and Hinges" and "Replace Doors and Hinges."
- All graphics referenced in the following instructions are included later in this section after "Final Steps."

Remove Doors and Hinges



5/16" Hex-Head Hinge Screw

1. Unplug convertible refrigerator/freezer or disconnect power.
2. Open lower compartment door and remove base grille from the bottom front of the convertible refrigerator/freezer. See Base Grille graphic.
3. Close the lower compartment door and keep both doors closed until you are ready to lift them free from the cabinet.
NOTE: Provide additional support for the doors while the hinges are being moved. Do not depend on the door magnets to hold the doors in place while you are working.
4. Remove the parts for the top hinge as shown in Top Hinge graphic. Lift the upper compartment door free from the cabinet.
5. Remove the parts for the center hinge as shown in the Center Hinge graphic. Lift the lower compartment door free from the cabinet.

6. Remove the parts for the bottom hinge as shown in the Bottom Hinge graphic.

IMPORTANT: If you want to reverse your doors so that they open in the opposite direction, continue with the "Reverse Doors (optional)" instructions. If you are not reversing the doors, see "Replace Doors and Hinges".

Reverse Doors (optional)



Round-Head
Handle Screw



Door Handle
Screw Hole Plug

Cabinet

1. Remove 5/16" hex-head hinge screws from handle side and move them to opposite side. See Graphic 1.
2. Remove cabinet hinge hole plugs from the cabinet top and move them to opposite side hinge holes as shown. See Graphic 2.

Doors

1. Remove door stop from both the upper and lower compartment doors and move to the other side. See Graphics 3 and 4.

Replace Doors and Hinges

NOTE: Graphic may be reversed if door swing is reversed.

1. Replace the parts for the bottom hinge as shown. Tighten screws. Replace the lower compartment door.
NOTE: Provide additional support for the doors while the hinges are being moved. Do not depend on the door magnets to hold the doors in place while you are working.
2. Assemble the parts for the center hinge as shown and tighten all screws. See Center Hinge graphic. Replace the upper compartment door.
3. Assemble the parts for the top hinge as shown. See Top Hinge graphic. Do not tighten screws completely.
4. Line up the doors so that the bottom of the upper compartment door aligns evenly with the top of the lower compartment door. Tighten all screws.

Final Steps

1. Check all holes to make sure that hole plugs and screws are in place. Reinstall top hinge cover. See Top Hinge graphic.
2. Replace the base grille. See Base Grille graphic.

⚠ WARNING



Electrical Shock Hazard

Plug into a grounded 3 prong outlet.

Do not remove ground prong.

Do not use an adapter.

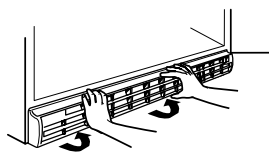
Do not use an extension cord.

Failure to follow these instructions can result in death, fire, or electrical shock.

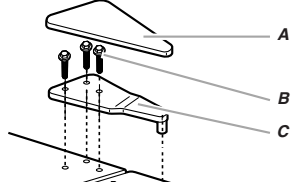
3. Plug into a grounded 3 prong outlet.
4. Return all removable door parts to doors and food to convertible refrigerator/freezer.

Door Removal & Replacement

Base Grille

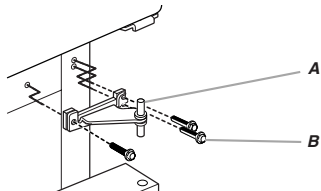


Top Hinge



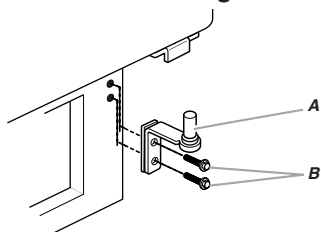
- A. Top Hinge Cover
- B. $\frac{5}{16}$ " Hex-Head Hinge Screws
- C. Top Hinge

Center Hinge



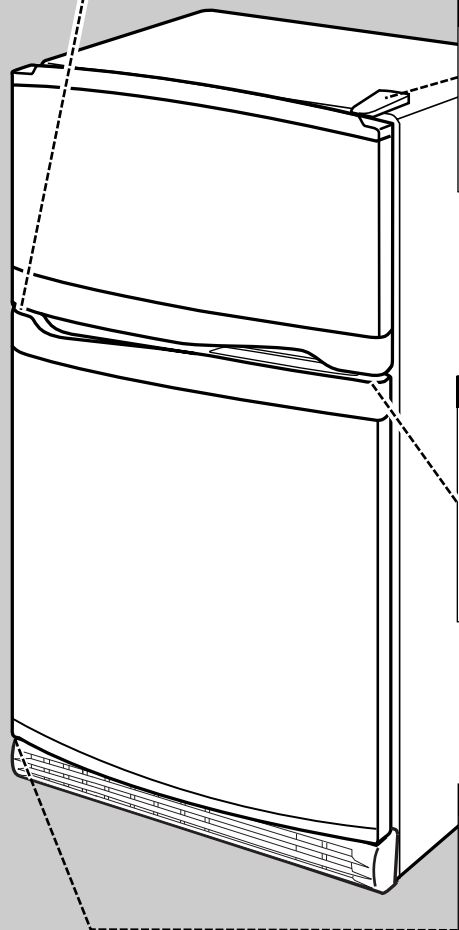
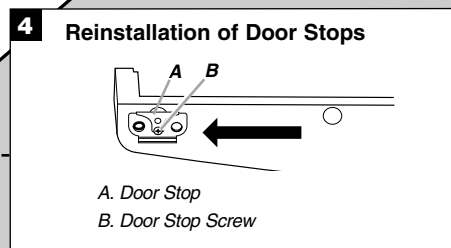
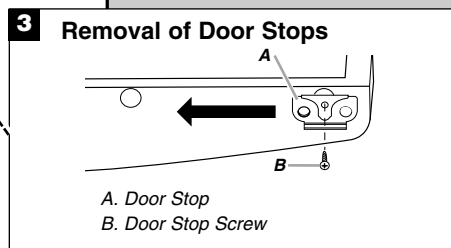
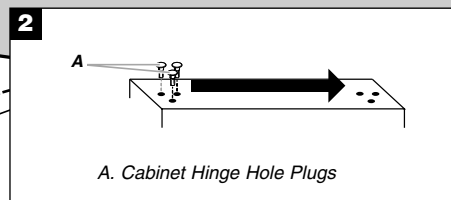
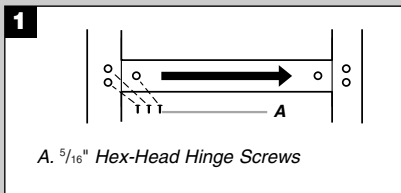
- A. Center Hinge
- B. $\frac{5}{16}$ " Hex-Head Hinge Screws

Bottom Hinge



- A. Bottom Hinge
- B. $\frac{5}{16}$ " Hex-Head Hinge Screws

Door Swing Reversal (optional)



Adjust the Doors

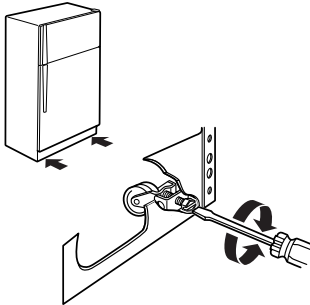
NOTE: If the casters are installed on your convertible refrigerator/freezer, the leveling screws will not work. Shims can be placed under the casters to level a convertible refrigerator/freezer that has casters installed.

Door Closing

Your convertible refrigerator/freezer has two front adjustable rollers – one on the right and one on the left. If your convertible refrigerator/freezer seems unsteady or you want the doors to close easier, adjust the convertible refrigerator/freezer's tilt using the instructions below.

1. Remove the base grille. See Base Grille graphic in "Convertible Refrigerator/Freezer Doors." The two leveling screws are part of the front roller assemblies which are at the base of the convertible refrigerator/freezer on either side.
2. Use a screwdriver to adjust the leveling screws. Turn the leveling screw to the right to raise that side of the convertible refrigerator/freezer or turn the leveling screw to the left to lower that side. It may take several turns of the leveling screws to adjust the tilt of the convertible refrigerator/freezer.

NOTE: Having someone push against the top of the convertible refrigerator/freezer takes some weight off the leveling screws and rollers. This makes it easier to adjust the screws.



3. Open both doors again and check to make sure that they close as easily as you like. If not, tilt the convertible refrigerator/freezer slightly more to the rear by turning both leveling screws to the right. It may take several more turns, and you should turn both leveling screws the same amount.
4. Replace the base grille.

Align Doors

If the space between your doors looks uneven, you can adjust it using the instructions below:

1. Pry off the top hinge cover.
2. Loosen the top hinge screws using a $\frac{5}{16}$ " socket or wrench.
3. Have someone hold the door in place or put a spacer between the doors while you tighten the top hinge screws.
4. Replace the top hinge cover.

Caster Installation

⚠ WARNING

Excessive Weight Hazard

Use two or more people to move and install convertible refrigerator/freezer.

Failure to do so can result in back or other injury.

Gather the required tools and parts before starting installation.

TOOLS NEEDED:

- $\frac{1}{2}$ " Socket wrench or nut driver
- $\frac{3}{8}$ " Socket wrench or nut driver
- $\frac{1}{2}$ " Wrench

PARTS SUPPLIED:

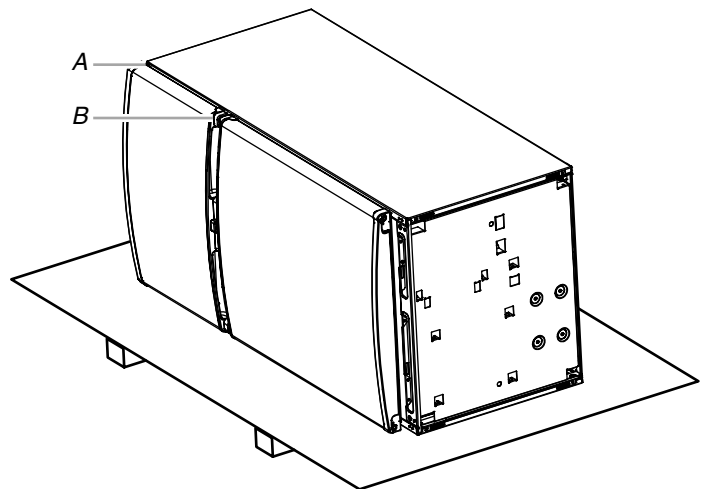
- Rigid casters (2)
- Swivel casters (2)
- $\frac{5}{16}$ —18 Self-locking hex-nuts (16)
- $\frac{5}{16}$ —18 x $\frac{7}{8}$ " Hex-head bolts (16)
- $\frac{1}{4}$ —20 x $1\frac{1}{4}$ " Lock washers (4)
- $\frac{1}{4}$ —20 x $1\frac{1}{4}$ " Self-tapping Hex-head bolts (4)
- Caster brackets (located in FeaturePak) (2)
- Plastic skids (shipped with the convertible refrigerator/freezer)

1. Before you begin, turn the lower compartment control to off.
2. Unplug convertible refrigerator/freezer or disconnect power.
3. Remove food and any adjustable shelves and bins from convertible refrigerator/freezer.
4. Open the lower compartment door and remove the base grille. Remove the grille by grasping the grille with both hands, lifting up and pulling bottom of the grille toward you.
5. Place the plastic skids (shipped with the convertible refrigerator/freezer) on the floor at least 3 ft (91.44 cm) apart. Lay a piece of cardboard or other protective material over the skids. This will elevate the convertible refrigerator/freezer to allow for easier caster installation and also protect it from scratches.

NOTE: If the skids have been discarded or are not available, 2" x 4" boards may be used.

6. Place the convertible refrigerator/freezer on its side on top of the cardboard or protective material. Make sure the door hinge is facing upward.

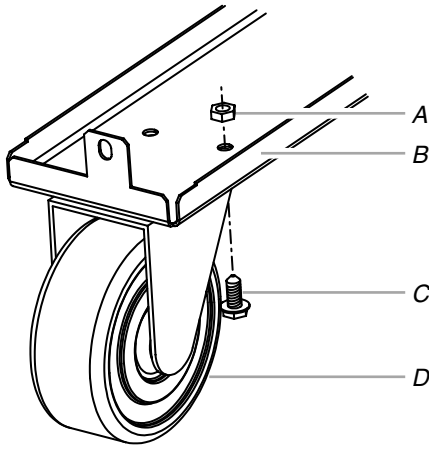
IMPORTANT: It is important that the door hinge face upward during the entire caster installation.



A. Top hinge
B. Center hinge

7. Remove the casters and fasteners from the box.
8. Locate and remove the caster brackets from the FeaturePak.
9. Using $\frac{5}{16}$ —18 x $\frac{7}{8}$ " hex-head bolts, attach one rigid caster and one swivel caster to each caster bracket. The rigid caster fits the front of the bracket and the swivel caster fits on the rear.

10. Insert the hex-head bolts from the bottom and start the self-locking nuts for each caster.

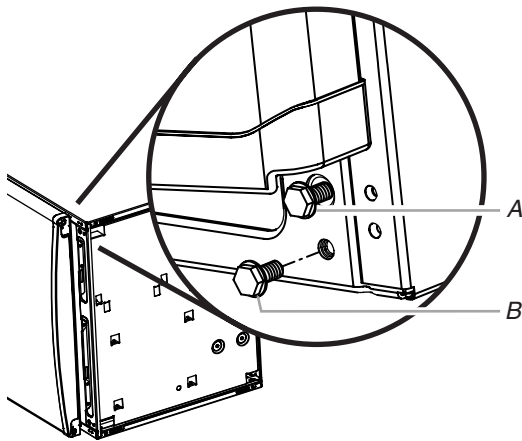


A. Self-locking nut
B. Caster bracket
C. $\frac{5}{16}$ —18 x $\frac{7}{8}$ " Hex-head bolt
D. Caster

11. Hold the head of the hex-head bolts with a wrench while tightening the self-locking nuts with a socket wrench.
12. Using a $\frac{1}{2}$ " socket wrench, remove the four unit bolts (two on each side) from the lower front and rear of the convertible refrigerator/freezer.

NOTE: Do not remove leveling bolt.

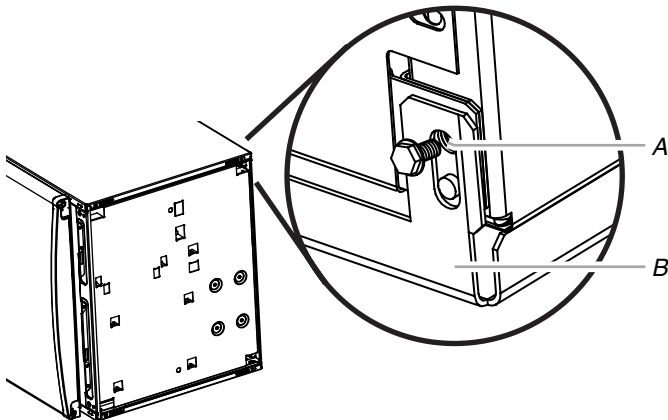
Lower Front Corner



A. Leveling bolt (do not remove)
B. Unit bolt

13. Place the slot in the rear of the caster bracket over the hole in the rear of the convertible refrigerator/freezer. Align the hole in the front of the caster bracket with the hole in the front of the convertible refrigerator/freezer.

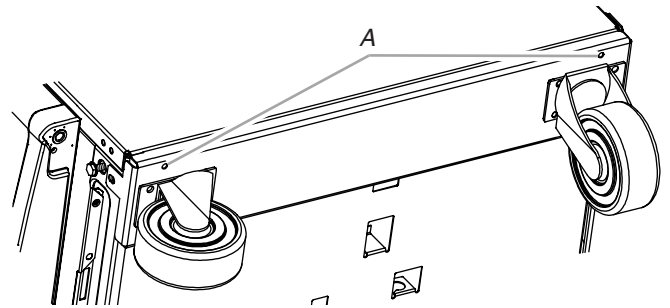
Lower Rear Corner



A. Rear unit hole
B. Caster bracket

14. Hold the bracket in place and insert the unit bolts into the front and rear unit holes and tighten.
NOTE: Do not overtighten the bolts.

15. Insert two of the $\frac{1}{4}$ —20 x $1\frac{1}{4}$ " self-tapping hex-head bolts and lock washers into the two holes in the side of the caster bracket. Push the caster bracket against the bottom of the convertible refrigerator/freezer and tighten the bolts using a $\frac{3}{8}$ " socket wrench.

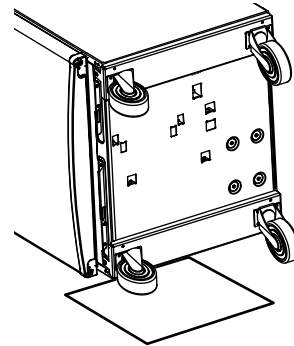


A. Caster bracket holes

16. Repeat steps 12 to 15 for the second caster bracket.

Complete the Assembly

1. Lock the front caster wheels.
2. Insert a small piece of cardboard between the caster brake and the floor. This will help prevent the brake from rubbing on the floor.



3. Stand the convertible refrigerator/freezer upright.
4. Replace the base grille by placing the metal clips in the openings in the metal panel and rolling the grille downward until it snaps into place.
5. Unlock the wheels and move the convertible refrigerator/freezer into its desired location.
6. After the convertible refrigerator/freezer is in position, lock the wheels.
7. Plug in convertible refrigerator/freezer or reconnect power.

Normal Sounds

Your new convertible refrigerator/freezer may make sounds that your old one didn't make. Because the sounds are new to you, you might be concerned about them. Most of the new sounds are normal. Hard surfaces, such as the floor, walls, and cabinets, can make the sounds seem louder. The following describes the kinds of sounds and what may be making them.

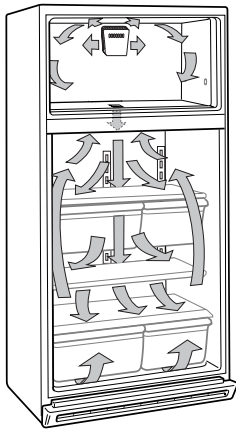
- Your convertible refrigerator/freezer is designed to run efficiently, to keep your food items at the desired temperatures and to minimize energy usage. The high efficiency compressor and fans may cause your convertible refrigerator/freezer to run longer than your old one. You may also hear a pulsating or high-pitched sound from the compressor or fans adjusting to optimize performance.

- Your convertible refrigerator/freezer will sound louder than regular refrigerators. This is due to the high fan speed. This speed is necessary to keep the convertible refrigerator/freezer operating properly in the harsher environments of most garages.
- You may hear a hissing noise after you close the lower compartment door. This is due to the colder temperature of the lower compartment and the stronger seal on the door.
- You may hear the evaporator fan motor circulating air through the upper and lower compartments. The fan speed may increase as you open the doors or add warm food.
- Rattling noises may come from the flow of refrigerant or items stored on top of the convertible refrigerator/freezer.
- Water dripping on the defrost heater during a defrost cycle may cause a sizzling sound.
- As each cycle ends, you may hear a gurgling sound due to the refrigerant flowing in your convertible refrigerator/freezer.
- Contraction and expansion of the inside walls may cause a popping noise.
- You may hear air being forced over the condenser by the condenser fan.
- You may hear water running into the drain pan during the defrost cycle.

CONVERTIBLE REFRIGERATOR/FREEZER USE

Ensuring Proper Air Circulation

In order to ensure proper temperature, you need to permit airflow between the lower and upper sections. As shown in the illustration, the majority of the cold air enters the lower compartment through vents behind the lower control box, flows through the lower section and is recirculated through the opening in the top of the lower compartment. The rest of the cold air enters the upper compartment through the vent in the upper control box, then flows through the upper section and is recirculated through the rear wall.



Do not block any of these vents with food packages. If the vents are blocked, airflow will be prevented and temperature and moisture problems may occur.

IMPORTANT: Because air circulates between both sections, any odors formed in one section will transfer to the other. You must thoroughly clean both sections to eliminate odors. To prevent odor transfer and drying out of food, wrap or cover foods tightly.

Using the Controls

For your convenience, your convertible refrigerator/freezer controls are preset at the factory with the upper compartment set in refrigeration mode and the lower compartment controls set at the midpoint. When you first install your convertible refrigerator/freezer, make sure that the controls are still preset to the factory settings.

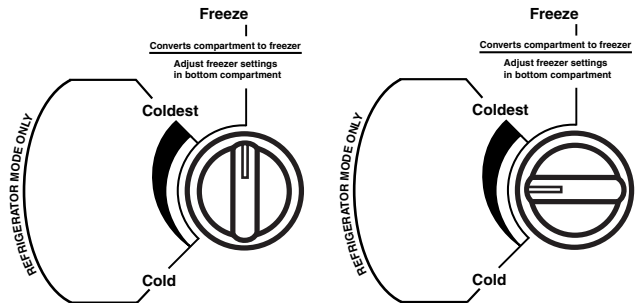
Upper Compartment Control

The upper compartment of your convertible refrigerator/freezer can function as either a refrigerator or a freezer. The control in the upper compartment allows you to switch it from Refrigerator Mode to Freeze mode. Make sure that the correct mode for your storage requirement is selected.

Your convertible refrigerator/freezer is designed for use in the garage. If the upper compartment is set to Freeze, your usual setting for the lower compartment should be adequate for most summer or winter conditions. Under extreme summer or winter conditions, you may need to make minor adjustments to the upper compartment control in order to maintain the desired temperature in the upper compartment.

To Change the Upper Compartment to Freeze Mode:

- Turn the control all the way to FREEZE.

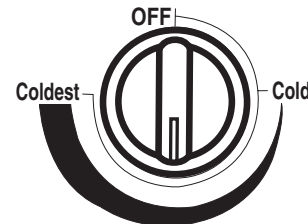


IMPORTANT: If the control is set between FREEZE and COLDEST settings, the upper compartment may not operate in the desired mode. The control should be set all the way to FREEZE to function properly as a freezer, or in the range between COLD and COLDEST to function properly as a refrigerator.

Lower Compartment Control

The lower compartment functions as a freezer at all times. The control in the lower compartment controls the temperature in the lower compartment and the temperature in the upper compartment when the upper compartment is in Freeze mode.

NOTE: To turn your convertible refrigerator/freezer off, turn the lower compartment control to the word OFF and the upper compartment to FREEZE. Your convertible refrigerator/freezer will not cool when the lower compartment control is set to OFF.



IMPORTANT:

- When the upper compartment is in refrigeration mode, the temperature is controlled by the upper control. When it is in freeze mode, the temperature is controlled by the lower compartment control.
- Give your convertible refrigerator/freezer time to cool down completely before adding food. It is best to wait 24 hours before you put food into the convertible refrigerator/freezer.
- If you add food before the convertible refrigerator/freezer has cooled completely, your food may spoil. Adjusting the Lower and Upper Compartment Controls to a colder than recommended setting will not cool the compartments any faster.

Adjusting Controls

The settings indicated in the previous section should be correct for normal household usage. The controls are set correctly when milk or juice is as cold as you like and when ice cream is firm.

If the temperature is too warm or too cold in the lower or upper compartment, first check the air vents to be sure they are not blocked.

If you need to adjust temperatures, use the settings listed in the chart below as a guide. Wait at least 24 hours between adjustments and then recheck the temperatures.

CONDITION/REASON:	ADJUSTMENT:
LOWER COMPARTMENT section too warm - Door opened often, large amount of food added or room temperature very warm	Adjust LOWER COMPARTMENT Control toward coldest.
UPPER COMPARTMENT section too warm - Door opened often, or large amount of food added or very cold room temperature (can't cycle often enough)	If in Refrigerator Mode, adjust UPPER COMPARTMENT Control toward coldest. If in Freeze mode, adjust LOWER COMPARTMENT Control toward coldest.
LOWER COMPARTMENT section too cold - Controls not set correctly for your conditions	Adjust LOWER COMPARTMENT Control toward cold.
UPPER COMPARTMENT section too cold - Controls not set correctly for your conditions	If in Refrigerator Mode adjust UPPER COMPARTMENT Control toward cold. If in Freeze mode, adjust LOWER COMPARTMENT Control toward cold.

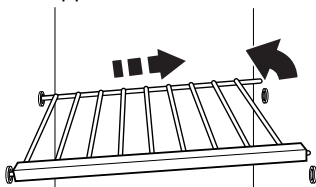
UPPER COMPARTMENT FEATURES

Upper Compartment Shelf

To Remove and Replace the Shelf:

1. Remove the shelf by lifting the entire shelf slightly and moving it all the way to the left-hand side. Tilt the right-hand side up and out of the shelf supports.
2. Replace the shelf by inserting the left-hand end all the way into the shelf supports. Then, lower the right-hand end of the shelf and insert it into the shelf supports.

NOTE: The shelf should lower slightly and lock into place. If the shelf does not appear stable, make sure both ends of the shelf are inserted into the shelf supports.



Upper Compartment Floor

To Remove and Replace the Upper Compartment Floor:

1. Remove all items from the compartment floor.
2. Remove the floor by raising the front and lifting it out.
3. Replace the floor by inserting the two rear tabs into the holes in the rear of the lower compartment. Lower the floor onto the liner of the lower compartment.

LOWER COMPARTMENT FEATURES

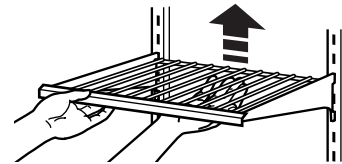
Shelves

For storage flexibility, the shelves in your convertible refrigerator/freezer are adjustable. Adjust the shelves to different heights and store similar foods together. This reduces the time the door is open and saves energy.

Half-width Shelf/Frame

To Remove and Replace a Shelf/Frame:

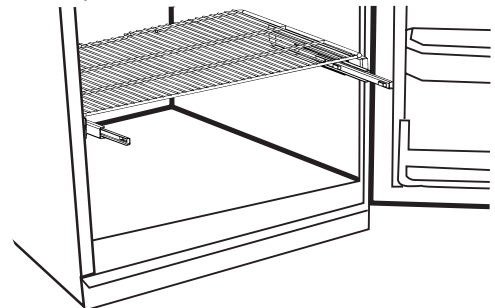
1. Remove the shelf/frame by tilting it up at the front and lifting it out of the shelf supports.
2. Replace the shelf/frame by guiding the rear shelf hooks into the shelf supports. Tilt the front of the shelf up until rear shelf hooks drop into the shelf supports. Check to make sure that the shelf is securely in position.



Full-width Shelf

To Remove and Replace the Shelf:

1. Remove all items from the shelf. Remove the shelf by raising the front and pulling it forward.
2. Replace the shelf by lifting the front while sliding the shelf back until it locks into place.

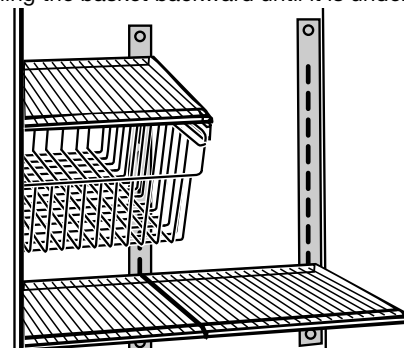


Baskets

Half-width Wire Basket

To Remove and Replace the Basket:

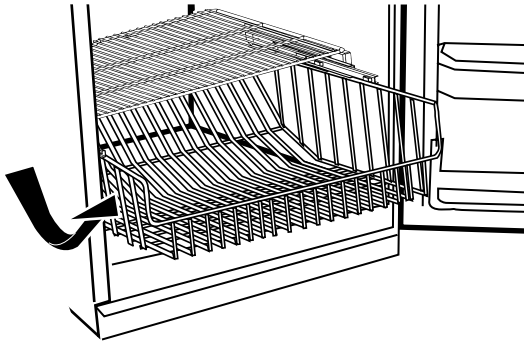
1. Remove all items from basket. Remove the basket by lifting the front out of the slides, then lifting the basket out.
2. Replace the wire basket by lowering the basket into the slides then pushing the basket backward until it is under the shelf.



Full-width Wire Basket

To Remove and Replace the Basket:

1. Remove all items from basket. Remove the basket by lifting the front out of the ball-bearing slides, then lifting the basket out.
2. Replace the wire basket by first extending the ball-bearing slides, then lowering the tabs on the sides of the wire basket into the slides. Push the basket backward until it is under the shelf.



Frozen Food Storage Guide

Storage times will vary according to the quality and type of food, the type of packaging or wrap used (should be airtight and moisture-proof), and the storage temperature. Seal the package or container securely to prevent taste and odor transfer throughout the product. Ice crystals inside a sealed package are normal.

Put no more unfrozen food into the freezer than will freeze within 24 hours (no more than 2 to 3 lbs of food per cubic foot [907 to 1,350 g per 28 L] of freezer space). Leave enough space in the freezer for air to circulate around packages. The freezer door must close tightly. For more information on preparing food for freezing, check a freezer guide or reliable cookbook.

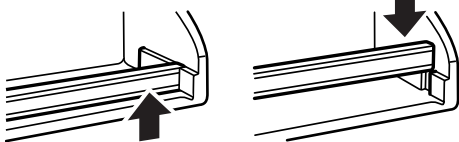
DOOR FEATURES

Door Rails

The door rails may be removed for easier cleaning.

To Remove and Replace the Rails:

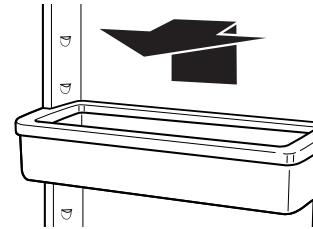
1. Remove the rails by pulling straight up on each end of the rail.
2. Replace the rails by sliding the shelf rail into the slots on the door and pushing the rail straight down until it stops.



Door Bins

To Remove and Replace the Bins:

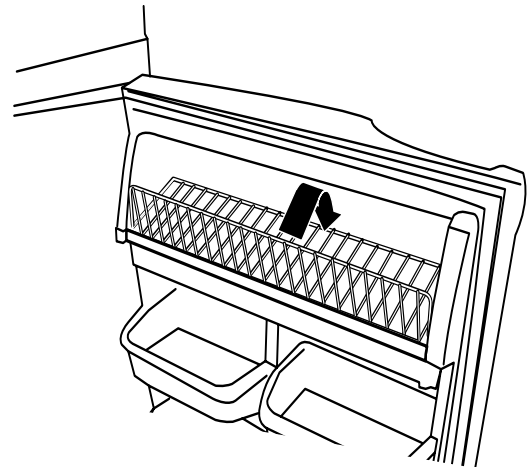
1. Remove the bin by lifting it and pulling it straight out.
2. Replace the bin by sliding it in above the desired support and pushing it down until it stops.



Wire Door Shelf

To Remove and Replace the Shelf:

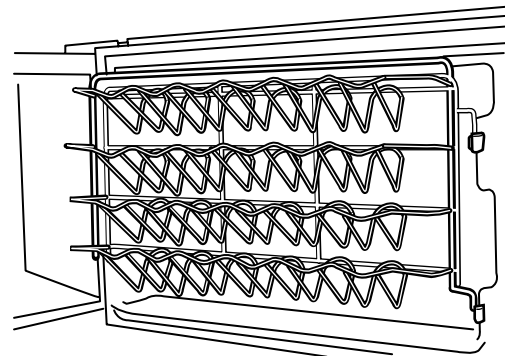
1. Remove the wire door shelf by lifting it out of the door rail.
2. Replace the door shelf by sliding it into the back of the door rail and snapping it into place.



Can Rack

To Remove and Replace the Rack:

1. Remove the rack by lifting it and pulling straight out.
2. Replace the rack by sliding it in above the supports and pushing it down until it stops.



CONVERTIBLE REFRIGERATOR/FREEZER CARE

Cleaning

WARNING



Explosion Hazard

Use nonflammable cleaner.

Failure to do so can result in death, explosion, or fire.

Both the lower and upper compartments defrost automatically. However, clean both sections about once a month to prevent odors from building up. Wipe up spills immediately.

To Clean Your Convertible Refrigerator/Freezer:

1. Unplug convertible refrigerator/freezer or disconnect power.
2. Remove all removable parts from inside, such as shelves, crispers, etc.
3. Hand wash, rinse, and dry removable parts and interior surfaces thoroughly. Use a clean sponge or soft cloth and a mild detergent in warm water.
 - Do not use abrasive or harsh cleaners such as window sprays, scouring cleansers, flammable fluids, cleaning waxes, concentrated detergents, bleaches or cleansers containing petroleum products on plastic parts, interior and door liners or gaskets. Do not use paper towels, scouring pads, or other harsh cleaning tools. These can scratch or damage materials.
 - To help remove odors, you can wash interior walls with a mixture of warm water and baking soda (2 tbs to 1 qt [26 g to 0.95 L] of water).
4. Wash exteriors with a clean sponge or soft cloth and a mild detergent in warm water. Do not use abrasive or harsh cleaners, or cleaners designed for stainless steel. Dry thoroughly with a soft cloth. For additional protection against damage to painted metal exteriors, apply appliance wax (or auto paste wax) with a clean, soft cloth. Do not wax plastic parts.
5. There is no need for routine condenser cleaning in normal operating environments. If the environment is particularly greasy or dusty, or there is significant pet traffic in the home, the condenser should be cleaned every 2 to 3 months to ensure maximum efficiency.

If you need to clean the condenser:

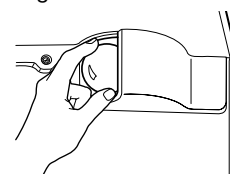
 - Remove the base grille. See “Convertible Refrigerator/Freezer Doors.”
 - Use a vacuum cleaner with a soft brush to clean the grille, the open areas behind the grille and the front surface area of the condenser.
 - Replace the base grille when finished.
6. Plug in convertible refrigerator/freezer or reconnect power.

Changing the Light Bulbs

NOTE: Not all bulbs will fit your convertible refrigerator/freezer. Be sure to replace the bulb with an appliance bulb of the same size, shape, and wattage.

1. Unplug convertible refrigerator/freezer or disconnect power.
2. Remove the bulb from behind the control panel in the lower compartment or from behind the light shield in the upper compartment (on some models). Replace it with a bulb of the same wattage.

3. Plug in convertible refrigerator/freezer or reconnect power.



Power Interruptions

If the power will be out for 24 hours or less, keep both compartment doors closed to help food stay cold and frozen.

If the power will be out for more than 24 hours, do one of the following:

- Remove all frozen food and store it in a frozen food locker.
- Place 2 lbs (907 g) of dry ice in the convertible refrigerator/freezer for every cubic foot (28 L) of freezer space. This will keep the food frozen for 2 to 4 days.
- If neither a food locker nor dry ice is available, consume or can perishable food at once.

REMEMBER: A full freezer stays cold longer than a partially filled one. A freezer full of meat stays cold longer than a freezer full of baked goods. If you see that food contains ice crystals, it may be refrozen, although the quality and flavor may be affected. If the condition of the food is poor, dispose of it.

Vacation and Moving Care

Vacations

If You Choose to Leave the Convertible Refrigerator/Freezer On While You're Away:

1. Use up any perishables and freeze other items.

If You Choose to Turn the Convertible Refrigerator/Freezer Off Before You Leave:

1. Remove all food from the convertible refrigerator/freezer.
2. Turn the lower compartment control to OFF. Turn the upper compartment control to FREEZE. See “Using the Controls.”
3. Hand wash, rinse and dry removable parts and interior surfaces thoroughly.
4. Tape rubber or wood blocks to the tops of both doors to prop them open far enough for air to get in. This stops odor and mold from building up.

Moving

When you are moving your convertible refrigerator/freezer to a new home, follow these steps to prepare it for the move.

1. Remove all food from the convertible refrigerator/freezer and pack all frozen food in dry ice.
2. Turn the lower compartment control to OFF. Turn the upper compartment control to FREEZE. See “Using the Controls.”
3. Unplug your convertible refrigerator/freezer.
4. Empty the water from the defrost pan. Hand wash, rinse and dry it thoroughly.
5. Hand wash, rinse and dry removable parts and interior surfaces thoroughly.
6. Wrap removable parts well, and tape them together so they don't shift and rattle during the move.
7. Unlock the casters so that the convertible refrigerator/freezer rolls easily.
8. If you have not installed the casters, raise the front of the convertible refrigerator/freezer so it rolls more easily. See “Adjust the Doors.”
9. Tape the doors closed and tape the power cord to the convertible refrigerator/freezer cabinet.

When you get to your new home, put everything back and refer to the “Installation Instructions” section for preparation instructions.

TROUBLESHOOTING

Try the solutions suggested here first in order to avoid the cost of an unnecessary service call.

Your convertible refrigerator/freezer will not operate

⚠ WARNING



Electrical Shock Hazard

Plug into a grounded 3 prong outlet.

Do not remove ground prong.

Do not use an adapter.

Do not use an extension cord.

Failure to follow these instructions can result in death, fire, or electrical shock.

- **Is the power cord unplugged?** Plug into a grounded 3 prong outlet.
- **Has a household fuse blown, or has a circuit breaker tripped?** Replace the fuse or reset the circuit breaker.
- **Is the Lower Compartment Control turned to the OFF position?** See “Using the Controls.”
- **Is the convertible refrigerator/freezer defrosting?** Recheck to see if the convertible refrigerator/freezer is operating in 30 minutes. Your convertible refrigerator/freezer will regularly run an automatic defrost cycle.

The lights do not work

- **Is the power cord unplugged?** Plug into a grounded 3 prong outlet.
- **Is a light bulb loose in the socket or burned out?** See “Changing the Light Bulbs.”

There is water in the defrost drain pan

- **Is the convertible refrigerator/freezer defrosting?** The water will evaporate. It is normal for water to drip into the defrost pan.
- **Is it more humid than normal?** When it is humid, expect that the water in the defrost pan will take longer to evaporate.

The motor seems to run too much

- **Is the room temperature hotter than normal?** The motor will run longer under warm conditions. At normal room temperatures, your motor will run about 40% to 80% of the time. Under warmer conditions, it will run even more.
- **Has a large amount of food just been added to the convertible refrigerator/freezer?** Adding a large amount of food warms the convertible refrigerator/freezer. The motor normally will run longer to cool the convertible refrigerator/freezer back down.
- **Are the doors opened often?** The motor will run longer when this occurs. Conserve energy by getting all items out at one time, keeping food organized, and closing the door as soon as possible.

- **Is the control set correctly for the surrounding conditions?** See “Using the Controls.”
- **Are the doors closed completely?** Close the doors firmly. If they do not close completely, see “The doors will not close completely” later in this section.
- **Are the condenser coils dirty?** This prevents air transfer and makes the motor work harder. Clean the condenser coils. See “Cleaning.”

NOTE: Your new convertible refrigerator/freezer will run longer than your old one due to its high-efficiency motor.

The convertible refrigerator/freezer seems to make too much noise

- **The sounds may be normal for your convertible refrigerator/freezer.** See “Normal Sounds.”

The upper compartment front liner is warm

The warmth is probably due to normal operation of the automatic exterior moisture control. Additionally, the convertible refrigerator/freezer is equipped with a heater to keep the convertible refrigerator/freezer operating properly when the ambient temperature drops too low.

Temperature is too warm

- **Are the air vents blocked in either compartment?** This prevents cold air movement between the compartments. Move objects away from the air vents. See “Ensuring Proper Air Circulation” for air vent locations.
- **Are the door(s) opened often?** The convertible refrigerator/freezer will warm when this occurs. Keep the convertible refrigerator/freezer cool by getting all items out at one time, keeping food organized, and closing the door as soon as possible.
- **Has a large amount of food just been added to the convertible refrigerator/freezer?** Adding a large amount of food warms the convertible refrigerator/freezer. It can take several hours for the convertible refrigerator/freezer to return to the normal temperature.
- **Are the controls set correctly for the surrounding conditions?** See “Using the Controls.”

There is interior moisture buildup

- **Are the air vents blocked in the convertible refrigerator/freezer?** Remove any objects from in front of the air vents. See “Ensuring Proper Air Circulation” for air vent locations.
- **Are the door(s) opened often?** Avoid humidity buildup by getting all items out at one time, keeping food organized, and closing the door as soon as possible.
- **Is the room humid?** It is normal for moisture to build up inside the convertible refrigerator/freezer when the room air is humid.
- **Is the food packaged correctly?** Check that all food is securely wrapped. Wipe off damp food containers before placing them in the convertible refrigerator/freezer.
- **Is the control set correctly for the surrounding conditions?** See “Using the Controls.”
- **Was a self-defrost cycle completed?** It is normal for droplets to form after the convertible refrigerator/freezer self-defrosts.

The doors are difficult to open

WARNING



Explosion Hazard

Use nonflammable cleaner.

Failure to do so can result in death, explosion, or fire.

- **Are the gaskets dirty or sticky?** Clean gaskets and the surface that they touch. Rub a thin coat of paraffin wax on the gaskets following cleaning.

- **Have you opened the convertible refrigerator/freezer door recently?** Allow at least 10 seconds after closing the convertible refrigerator/freezer door before trying to open the upper compartment.

The doors will not close completely

- **Are food packages blocking the door open?** Rearrange containers so that they fit more tightly.
- **Are the crisper cover, pans, shelves, bins, or baskets out of position?** Put these items into their correct positions. See "Lower Compartment Features" for more information.
- **Does the convertible refrigerator/freezer wobble or seem unstable?** Level the convertible refrigerator/freezer. See "Adjust the Doors."
- **Were the doors removed during product installation and not properly replaced?** Remove and replace the doors according to "Convertible Refrigerator/Freezer Doors," or call a qualified service technician.

ASSISTANCE OR SERVICE

Before calling for assistance or service, please check "Troubleshooting." It may save you the cost of a service call. If you still need help, follow the instructions below.

When calling, please know the purchase date and the complete model and serial number of your appliance. This information will help us to better respond to your request.

If You Need Replacement Parts

If you need to order replacement parts, we recommend that you only use factory specified replacement parts. Factory specified replacement parts will fit right and work right because they are made with the same precision used to build every new Gladiator® GarageWorks appliance.

To locate factory specified replacement parts in your area, call us or your nearest designated service center.

In the U.S.A.

Call the Gladiator® GarageWorks Customer eXperience Center toll free: **1-866-342-4089**.

Our consultants provide assistance with:

- Features and specifications on our full line of products.
- Installation information.
- Use and maintenance procedures.
- Accessory and repair parts sales.
- Specialized customer assistance (Spanish speaking, hearing impaired, limited vision, etc.).
- Referrals to local dealers, repair parts distributors, and service companies. Gladiator® GarageWorks designated service technicians are trained to fulfill the product warranty and provide after-warranty service, anywhere in the United States.

To locate the Gladiator® GarageWorks designated service company in your area, you can also look in your telephone directory Yellow Pages.

For Further Assistance

If you need further assistance, you can write to Gladiator® GarageWorks with any questions or concerns at:

Gladiator® GarageWorks
Customer eXperience Center
553 Benson Road
Benton Harbor, MI 49022-2692

Please include a daytime phone number in your correspondence.

In Canada

For assistance, installation or service, call us at **1-800-807-6777**.

Our consultants provide assistance with:

- Features and specifications on our full line of appliances.
- Use and maintenance procedures.
- Accessory and repair parts sales.
- Referrals to local dealers, repair parts distributors, and service companies. Gladiator® GarageWorks designated service technicians are trained to fulfill the product warranty and provide after-warranty service, anywhere in Canada.

For Further Assistance

If you need further assistance, you can write to Whirlpool Canada LP with any questions or concerns at:

Whirlpool Canada LP
Customer Interaction Centre
1901 Minnesota Court
Mississauga, Ontario L5N 3A7

Please include a daytime phone number in your correspondence.

GLADIATOR® GARAGEWORKS MAJOR APPLIANCE WARRANTY

ONE YEAR LIMITED WARRANTY

For one year from the date of purchase, when this major appliance is operated and maintained according to instructions attached to or furnished with the product, Whirlpool Corporation or Whirlpool Canada LP (hereafter "Gladiator® GarageWorks") will pay for FSP® replacement parts and repair labor to correct defects in materials or workmanship. Service must be provided by a Whirlpool designated service company.

ITEMS GLADIATOR® GARAGEWORKS WILL NOT PAY FOR

1. Service calls to correct the installation of your major appliance, to instruct you how to use your major appliance, to replace or repair house fuses or to correct house wiring or plumbing.
 2. Service calls to repair or replace appliance light bulbs, air filters or water filters. Those consumable parts are excluded from warranty coverage.
 3. Repairs when your major appliance is used for other than normal, single-family household use.
 4. Damage resulting from accident, alteration, misuse, abuse, fire, flood, acts of God, improper installation, installation not in accordance with electrical or plumbing codes, or use of products not approved by Gladiator® GarageWorks.
 5. Any food loss due to refrigerator or freezer product failures.
 6. Replacement parts or repair labor costs for units operated outside the United States or Canada.
 7. Pickup and delivery. This major appliance is designed to be repaired in the home.
 8. Repairs to parts or systems resulting from unauthorized modifications made to the appliance.
 9. Expenses for travel and transportation for product service in remote locations.
 10. The removal and reinstallation of your appliance if it is installed in an inaccessible location or is not installed in accordance with published installation instructions.
-

DISCLAIMER OF IMPLIED WARRANTIES; LIMITATION OF REMEDIES

CUSTOMER'S SOLE AND EXCLUSIVE REMEDY UNDER THIS LIMITED WARRANTY SHALL BE PRODUCT REPAIR AS PROVIDED HEREIN. IMPLIED WARRANTIES, INCLUDING WARRANTIES OF MERCHANTABILITY OR FITNESS FOR A PARTICULAR PURPOSE, ARE LIMITED TO ONE YEAR OR THE SHORTEST PERIOD ALLOWED BY LAW. WHIRLPOOL SHALL NOT BE LIABLE FOR INCIDENTAL OR CONSEQUENTIAL DAMAGES. SOME STATES AND PROVINCES DO NOT ALLOW THE EXCLUSION OR LIMITATION OF INCIDENTAL OR CONSEQUENTIAL DAMAGES, OR LIMITATIONS ON THE DURATION OF IMPLIED WARRANTIES OF MERCHANTABILITY OR FITNESS, SO THESE EXCLUSIONS OR LIMITATIONS MAY NOT APPLY TO YOU. THIS WARRANTY GIVES YOU SPECIFIC LEGAL RIGHTS AND YOU MAY ALSO HAVE OTHER RIGHTS, WHICH VARY FROM STATE TO STATE OR PROVINCE TO PROVINCE.

Outside the 50 United States and Canada, this warranty does not apply. Contact your authorized Gladiator® GarageWorks dealer to determine if another warranty applies.

If you need service, first see the "Troubleshooting" section of the Use & Care Guide. After checking "Troubleshooting," additional help can be found by checking the "Assistance or Service" section or by calling Gladiator® GarageWorks. In the U.S.A., call **1-866-342-4089**. In Canada, call **1-800-807-6777**.

8/05

Keep this book and your sales slip together for future reference. You must provide proof of purchase or installation date for in-warranty service.

Write down the following information about your major appliance to better help you obtain assistance or service if you ever need it. You will need to know your complete model number and serial number. You can find this information on the model and serial number label located on the product.

Dealer name _____
Address _____
Phone number _____
Model number _____
Serial number _____
Purchase date _____

SEGURIDAD DEL REFRIGERADOR/CONGELADOR CONVERTIBLE

Su seguridad y la seguridad de los demás es muy importante.

Hemos incluido muchos mensajes importantes de seguridad en este manual y en su electrodoméstico. Lea y obedezca siempre todos los mensajes de seguridad.



Este es el símbolo de advertencia de seguridad.

Este símbolo le llama la atención sobre peligros potenciales que pueden ocasionar la muerte o una lesión a usted y a los demás.

Todos los mensajes de seguridad irán a continuación del símbolo de advertencia de seguridad y de la palabra "PELIGRO" o "ADVERTENCIA". Estas palabras significan:

⚠ PELIGRO

Si no sigue las instrucciones **de inmediato**, usted puede morir o sufrir una lesión grave.

⚠ ADVERTENCIA

Si no sigue las instrucciones, usted puede morir o sufrir una lesión grave.

Todos los mensajes de seguridad le dirán el peligro potencial, le dirán cómo reducir las posibilidades de sufrir una lesión y lo que puede suceder si no se siguen las instrucciones.

INSTRUCCIONES IMPORTANTES DE SEGURIDAD

ADVERTENCIA: Para reducir el riesgo de incendio, choque eléctrico, o lesiones personales al usar su refrigerador/congelador convertible siga estas precauciones básicas:

- Conecte a un contacto de pared de conexión a tierra de 3 terminales.
- No quite la terminal de conexión a tierra.
- No use un adaptador.
- No use extensiones eléctricas.
- Desconecte el suministro de energía antes de darle servicio.
- Vuelva a colocar todos los componentes y paneles antes de hacerlo funcionar.
- Use un limpiador no inflamable.
- Mantenga los materiales y vapores inflamables, tales como gasolina, alejados del refrigerador/congelador convertible.
- Use dos o más personas para mover e instalar el refrigerador/congelador convertible.
- Remueva las puertas o la tapa de su congelador o refrigerador viejo.

CONSERVAR ESTAS INSTRUCCIONES

Cómo deshacerse adecuadamente de su refrigerador viejo

⚠ ADVERTENCIA

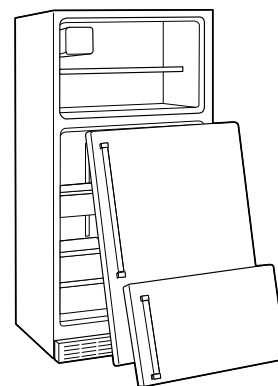
Peligro de Asfixia

Remueva las puertas de su refrigerador viejo.

No seguir esta instrucción puede ocasionar la muerte o daño al cerebro.

Antes de tirar su refrigerador viejo:

- Saque las puertas.
- Deje los estantes en su lugar así los niños no pueden meterse adentro con facilidad.



IMPORTANTE: El atrapamiento y asfixia de niños no es un problema del pasado. Los refrigeradores tirados y abandonados son un peligro...aún si van a quedar ahí "por unos pocos días". Si Ud. está por deshacerse de su refrigerador viejo, por favor siga las instrucciones que se dan a continuación para prevenir accidentes.

INSTRUCCIONES DE INSTALACIÓN

Desempaque el refrigerador

⚠️ ADVERTENCIA

Peligro de Peso Excesivo

Use dos o más personas para mover e instalar el refrigerador/congelador convertible.

No seguir esta instrucción puede ocasionar una lesión en la espalda u otro tipo de lesiones.

Cómo quitar los materiales de empaque

- Quite los residuos de cinta y goma de las superficies antes de encender el refrigerador/congelador convertible. Frote un poco de detergente líquido para vajillas sobre la cinta adhesiva con los dedos. Limpie con agua tibia y seque.
- No use instrumentos filosos, alcohol para fricciones, líquidos inflamables, o productos de limpieza abrasivos para eliminar los restos de cinta o de goma. Estos productos pueden dañar la superficie de su refrigerador/congelador convertible. Para más información, vea la sección "Seguridad del refrigerador/congelador convertible".

Cómo mover su refrigerador/congelador convertible:

Su refrigerador/congelador convertible es muy pesado. Cuando mueva su refrigerador/congelador convertible para limpiarlo o darle servicio, proteja el piso. Al mover el refrigerador/congelador convertible, siempre tire directamente hacia afuera. No menee el refrigerador/congelador convertible de lado a lado ni lo haga "caminar" cuando lo trate de mover ya que podría dañar el piso.

NOTA: Si las ruedecillas están instaladas, quite la traba de las mismas antes de intentar mover su refrigerador/congelador convertible.

Limpieza antes del uso

Una vez que usted haya quitado todos los materiales de empaque, limpie el interior de su refrigerador/congelador convertible antes de usarlo. Vea las instrucciones de limpieza en la sección "Cuidado del refrigerador/congelador convertible".

Fábrica de hielo

La opción de fábrica de hielo no está disponible.

Requisitos de ubicación

⚠️ ADVERTENCIA



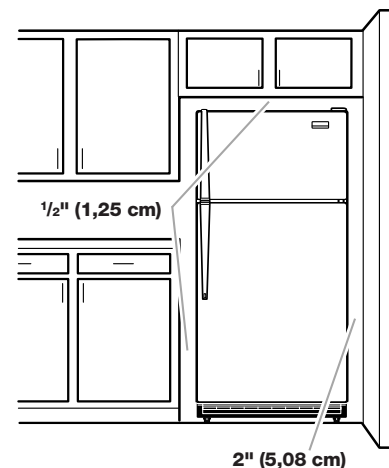
Peligro de Explosión

Mantenga los materiales y vapores inflamables, tales como gasolina, alejados del refrigerador/congelador convertible.

No seguir esta instrucción puede ocasionar la muerte, explosión, o incendio.

Para asegurar la adecuada ventilación para su refrigerador/congelador convertible, deje un espacio de 1/2" (1,25 cm) a cada lado y por encima. Si Ud. instala el refrigerador/congelador convertible en una pared fija, deje como mínimo 2" (5,08 cm) en el lado de la bisagra (algunos modelos necesitan más espacio) para permitir que la puerta abra bien.

NOTA: No se recomienda instalar el refrigerador/congelador convertible cerca de un horno, radiador u otra fuente de calor en donde la temperatura aumentará por encima de los 110°F (43°C), ni en un lugar en donde la temperatura baje a menos de 0°F (-17°C).



Requisitos eléctricos

ADVERTENCIA



Peligro de Choque Eléctrico

Conecte a un contacto de pared de conexión a tierra de 3 terminales.

No quite la terminal de conexión a tierra.

No use un adaptador.

No use un cable eléctrico de extensión.

No seguir estas instrucciones puede ocasionar la muerte, incendio o choque eléctrico.

Antes de mover el refrigerador/congelador convertible a su ubicación final, es importante asegurarse que tiene la conexión eléctrica adecuada. Su refrigerador/congelador convertible está equipado con un cable de suministro de energía más largo para facilitar la ubicación y el movimiento del mismo.

Método de conexión a tierra recomendado

Se requiere una fuente de energía eléctrica de 115 Voltios, 60 Hz., CA solamente y con fusibles de 15- ó 20-amperios, debidamente conectados a tierra. Se recomienda que use un circuito separado sólo para su refrigerador/congelador convertible. Use un tomacorriente que no se pueda apagar con un interruptor. No use un cable eléctrico de extensión.

NOTA: Antes de realizar cualquier tipo de instalación, limpieza o de quitar un foco de luz, ponga el control del compartimiento inferior en la posición OFF (Apagado), y luego desconecte el refrigerador/congelador convertible de la fuente de energía. Cuando haya terminado, reconecte el refrigerador/congelador convertible a la fuente de energía eléctrica y vuelva a poner el control en la posición deseada.

Puertas del refrigerador/congelador convertible

HERRAMIENTAS NECESARIAS: llave de cubo de cabeza hexagonal de $\frac{5}{16}$ ", destornillador Phillips No. 2, destornillador de hoja plana, llave ajustable de $\frac{5}{16}$ ", cuchillo plano para masilla de 2"

IMPORTANTE:

- Quite todos los alimentos y cualquier recipiente ajustable o de uso múltiple de las puertas.
- Si usted sólo quiere quitar las puertas y volverlas a colocar, vea las secciones "Cómo quitar las puertas y las bisagras" y "Cómo volver a poner las puertas y las bisagras en su lugar".
- Todas las ilustraciones a que se hace referencia en las instrucciones siguientes están incluidas más adelante en esta sección después de "Pasos finales."

Cómo quitar las puertas y las bisagras



Tornillo de bisagra de cabeza hexagonal de $\frac{5}{16}$ "

1. Desenchufe el refrigerador/congelador convertible o desconecte el suministro de energía.
2. Abra la puerta del compartimiento inferior y quite la rejilla de la base de la parte inferior del refrigerador/congelador convertible. Vea la ilustración Rejilla de la base.
3. Cierre la puerta del compartimiento inferior y mantenga las dos puertas cerradas hasta que esté listo para levantarlas y quitarlas del gabinete.
NOTA: Mientras quita las bisagras siempre disponga de un soporte adicional para las puertas. No se confíe de los imanes de las puertas para mantener las mismas en su sitio mientras esté trabajando.
4. Quite los componentes de la bisagra superior como se muestra en la ilustración Bisagra superior. Levante y quite la puerta del compartimiento superior del gabinete.
5. Quite los componentes de la bisagra central como se muestra en la ilustración de la Bisagra central. Levante y quite la puerta del compartimiento inferior del gabinete.
6. Quite los componentes de la bisagra inferior como se muestra en la ilustración Bisagra inferior.

IMPORTANTE: Si usted desea cambiar el sentido de apertura de las puertas para que se abran en el sentido opuesto, siga las instrucciones en "Cambio del sentido de apertura de las puertas (opcional)". Si usted no va a cambiar el sentido de apertura de las puertas, vea la sección "Cómo volver a poner la puerta y las bisagras en su lugar".

Cambio del sentido de apertura de las puertas (opcional)



Tornillo de
cabeza redonda
de la manija



Tapón del orificio
del tornillo de la manija
de la puerta

Gabinete

1. Quite los tornillos de bisagra de cabeza hexagonal de $\frac{5}{16}$ " del lado de la manija y colóquelos del lado opuesto. Vea la ilustración 1.
2. Quite los tapones de los orificios de la bisagra de la parte superior del gabinete y colóquelos en los orificios de la bisagra del lado opuesto, como se muestra. Vea la ilustración 2.

Puertas

1. Quite los retenes de las puertas de los compartimientos superior e inferior y póngalos en el lado opuesto. Vea las ilustraciones 3 y 4.

Cómo volver a poner las puertas y las bisagras en su lugar

NOTA: Si el sentido de apertura de la puerta se cambia, la imagen de la puerta pudiera quedar invertida.

1. Vuelva a poner los componentes de la bisagra inferior en su sitio como se indica. Apriete los tornillos. Vuelva a poner en su lugar la puerta del compartimiento inferior.

NOTA: Mientras quita las bisagras siempre disponga de un soporte adicional para las puertas. No se confíe de los imanes de las puertas para mantener las mismas en su sitio mientras esté trabajando.

2. Arme los componentes de la bisagra central como se indica y atornille todos los tornillos. Vea la ilustración Bisagra central. Vuelva a poner en su lugar la puerta del compartimiento superior.
3. Arme los componentes de la bisagra superior como se indica. Vea la ilustración Bisagra superior. No apriete completamente los tornillos.
4. Alinee las puertas de tal manera que la parte inferior de la puerta del compartimiento superior esté alineada uniformemente con la parte superior de la puerta del compartimiento inferior. Apriete todos los tornillos.

Pasos finales

1. Revise todos los orificios para cerciorarse que los tapones de los orificios y los tornillos estén en su lugar. Vuelva a colocar en su lugar la tapa de la bisagra superior. Vea la ilustración Bisagra superior.
2. Coloque en su lugar la rejilla de la base. Vea la ilustración Rejilla de la base.

⚠ ADVERTENCIA



Peligro de Choque Eléctrico

Conecte a un contacto de pared de conexión a tierra de 3 terminales.

No quite la terminal de conexión a tierra.

No use un adaptador.

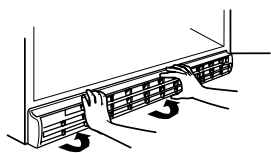
No use un cable eléctrico de extensión.

No seguir estas instrucciones puede ocasionar la muerte, incendio o choque eléctrico.

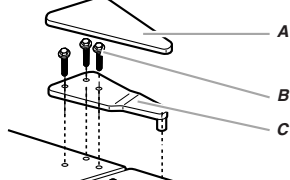
3. Conecte a un contacto de pared de conexión a tierra de 3 terminales.
4. Regrese todas las partes movibles a las puertas y la comida al refrigerador/congelador convertible.

Cómo quitar y volver a poner la puerta en su lugar

Rejilla de la base

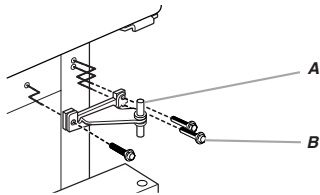


Bisagra superior



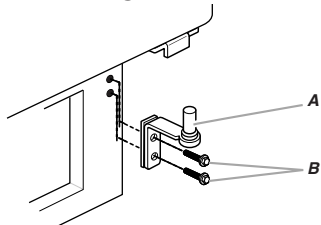
- A. Tapa de la bisagra superior
- B. Tornillos de cabeza hexagonal de la bisagra de 5/16"
- C. Bisagra superior

Bisagra central



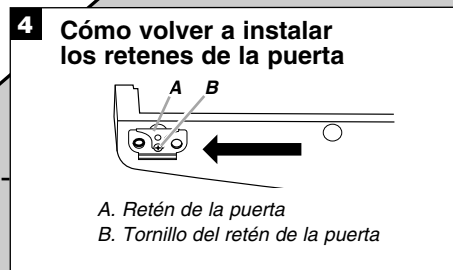
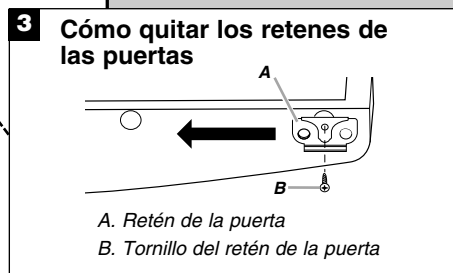
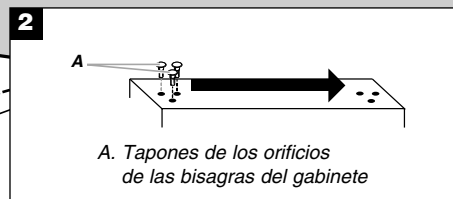
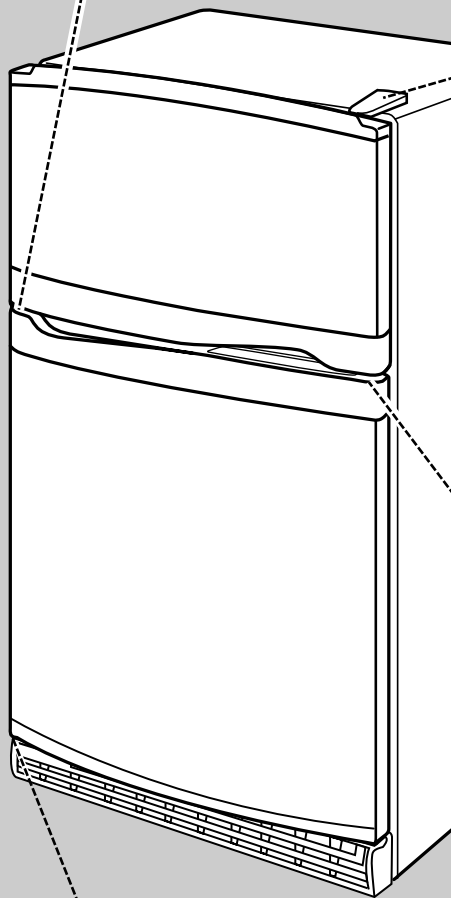
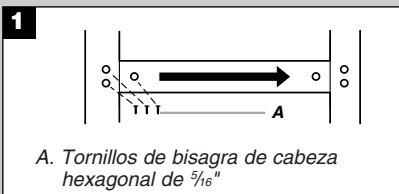
- A. Bisagra central
- B. Tornillos de cabeza hexagonal de la bisagra de 5/16"

Bisagra inferior



- A. Bisagra inferior
- B. Tornillos de cabeza hexagonal de la bisagra de 5/16"

Cambio del sentido de apertura de las puertas (opcional)



Ajuste las puertas

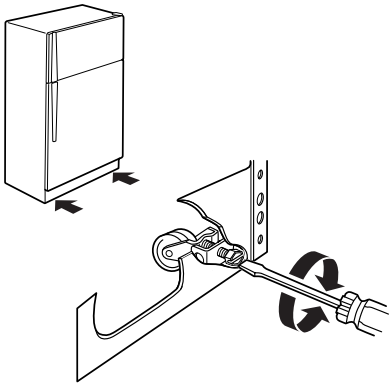
NOTA: Si tiene ruedecillas instaladas en su refrigerador/congelador convertible, los tornillos niveladores no funcionarán. Se pueden colocar calzas debajo de las ruedecillas para nivelar un refrigerador/congelador convertible que tenga las ruedecillas instaladas.

Cierre de la puerta

Su refrigerador/congelador convertible tiene dos rodillos frontales regulables – uno a la derecha y otro a la izquierda. Si su refrigerador/congelador convertible parece inestable o usted quiere que las puertas se cierran con mayor facilidad, ajuste la inclinación del refrigerador/congelador convertible usando las instrucciones siguientes.

1. Quite la rejilla de la base. Vea la ilustración de la Rejilla de la base en “Puertas del refrigerador/congelador convertible”. Los dos tornillos reguladores son parte de las piezas de montaje del rodillo frontal, que están en la base del refrigerador/congelador convertible a cada lado.
2. Use un destornillador para ajustar los tornillos reguladores. Gire el tornillo regulador hacia la derecha para levantar ese lado del refrigerador/congelador convertible o gire el tornillo regulador hacia la izquierda para bajar ese lado. Puede precisar darle varias vueltas a los tornillos reguladores para ajustar la inclinación del refrigerador/congelador convertible.

NOTA: Haga que alguien empuje la parte superior del refrigerador/congelador convertible, lo cual quita el peso de los tornillos reguladores y los rodillos. Esto facilita el ajuste de los tornillos.



3. Abra ambas puertas nuevamente y verifique para asegurarse que se cierran con la facilidad que usted desea. De lo contrario, incline el refrigerador/congelador convertible ligeramente más hacia la parte posterior, girando ambos tornillos reguladores hacia la derecha. Puede tomar varias vueltas más, y usted deberá girar ambos tornillos reguladores la misma cantidad de veces.
4. Vuelva a colocar la rejilla de la base.

Alineamiento de las puertas

Si el espacio entre sus puertas parece desigual, puede ajustarlo usando las instrucciones siguientes:

1. Quite la cubierta de la bisagra superior.
2. Afloje los tornillos de la bisagra superior usando una llave de cubo o de tuercas de $\frac{3}{16}$ ".
3. Ponga una persona para sostener la puerta en su lugar o coloque entre las puertas algo que mantenga el espacio mientras usted ajusta los tornillos de la bisagra superior.
4. Vuelva a colocar la cubierta de la bisagra superior.

Instalación de las ruedecillas

⚠ ADVERTENCIA

Peligro de Peso Excesivo

Use dos o más personas para mover e instalar el refrigerador/congelador convertible.

No seguir esta instrucción puede ocasionar una lesión en la espalda u otro tipo de lesiones.

Reúna las herramientas y piezas necesarias antes de comenzar la instalación.

HERRAMIENTAS NECESARIAS:

- Llave de cubo o llave para tuercas de $\frac{1}{2}$ "
- Llave de cubo o llave para tuercas de $\frac{3}{8}$ "
- Llave de tuercas de $\frac{1}{2}$ "

PIEZAS SUMINISTRADAS:

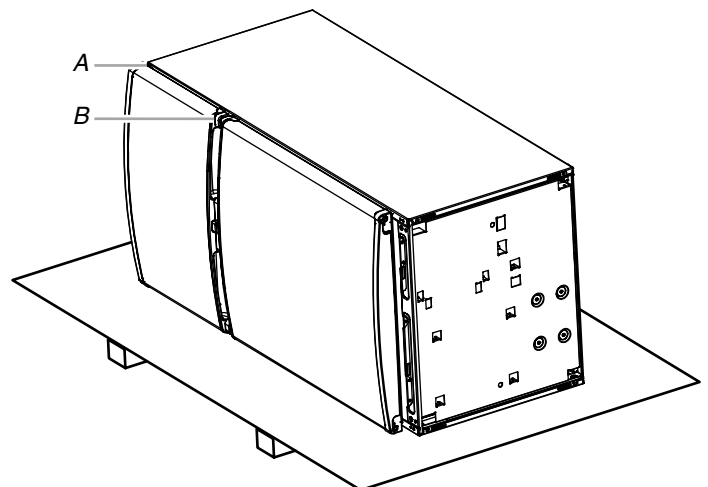
- Ruedecillas rígidas (2)
- Ruedecillas giratorias (2)
- Contratuercas hexagonales de $\frac{3}{16}$ —18 (16)
- Pernos de cabeza hexagonal de $\frac{3}{16}$ —18 x $\frac{7}{8}$ " (16)
- Arandelas de seguridad de $\frac{1}{4}$ —20 x $1\frac{1}{4}$ " (4)
- Pernos autorroscantes de cabeza hexagonal de $\frac{1}{4}$ —20 x $1\frac{1}{4}$ " (4)
- Soportes de ruedecillas (ubicados en el paquete de piezas) (2)
- Correderas de plástico (enviadas con el refrigerador/congelador convertible)

1. Antes de comenzar, fije el control del compartimiento inferior a OFF (Apagado).
2. Desenchufe el refrigerador/congelador convertible o desconecte el suministro de energía.
3. Quite todos los alimentos y los estantes ajustables y los recipientes del refrigerador/congelador convertible.
4. Abra la puerta del compartimiento inferior y quite la rejilla de la base. Quite la rejilla sujetando la misma con ambas manos, levantando y tirando de la parte inferior de la rejilla hacia usted.
5. Coloque las correderas de plástico (enviadas con el refrigerador/congelador convertible) en el piso, dejando por lo menos 3 pies (91,44 cm) entre ellas. Coloque un trozo de cartón u otro material protector sobre las correderas. Esto elevará el refrigerador/congelador convertible para permitir una instalación más fácil y también para protegerlo contra rayones.

NOTA: Si las correderas se han desechado o no están disponibles, se pueden usar tablas de 2" x 4".

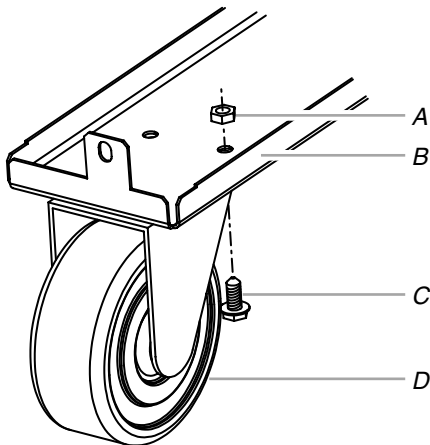
6. Coloque el refrigerador/congelador convertible de costado encima del cartón o material protector. Cerciórese de que la bisagra de la puerta esté mirando hacia arriba.

IMPORTANTE: Es importante que la bisagra de la puerta mire hacia arriba durante toda la instalación de las ruedecillas.



A. Bisagra superior
B. Bisagra central

7. Quite de la caja las ruedecillas y los ajustadores.
8. Localice y quite las ruedecillas y los ajustadores del paquete de piezas.
9. Usando los pernos de cabeza hexagonal de $\frac{5}{16}$ —18 x $\frac{7}{8}$ " fije una ruedecilla rígida y una giratoria en cada soporte de ruedecilla. La ruedecilla rígida encaja en el soporte frontal y la giratoria en el trasero.
10. Inserte los pernos de cabeza hexagonal desde abajo y comience a apretar las contratuercas de cada ruedecilla.

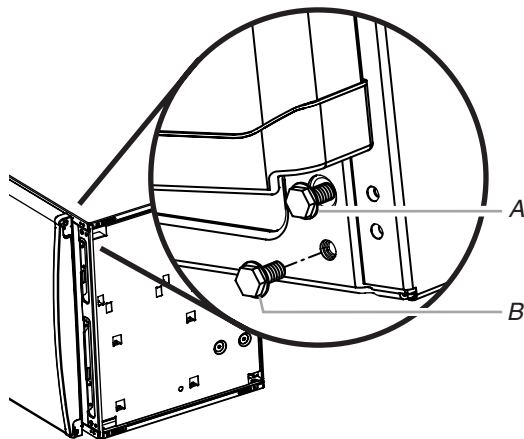


A. Contratuerca
B. Soporte de ruedecilla
C. Perno de cabeza hexagonal de $\frac{5}{16}$ —18 x $\frac{7}{8}$ "
D. Ruedecilla

11. Sostenga la cabeza de los pernos de cabeza hexagonal con una llave para tuercas mientras aprieta las contratuercas con una llave de cubo.
12. Usando una llave de cubo de $\frac{1}{2}$ ", quite los cuatro pernos de la unidad de la parte inferior frontal y de la trasera del refrigerador/congelador convertible (dos en cada lado).

NOTA: No quite el perno nivelador.

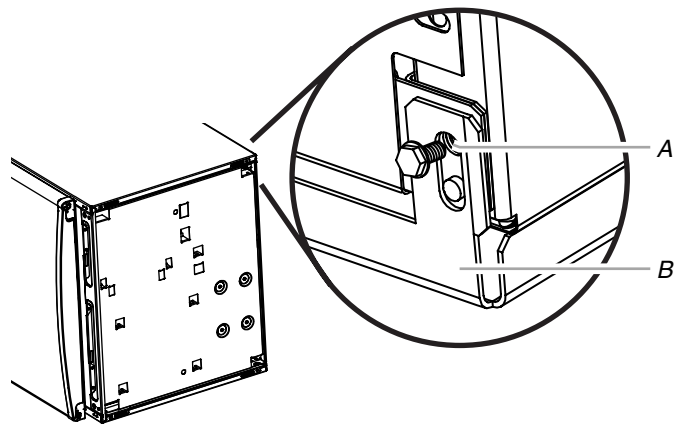
Esquina inferior frontal



A. Perno nivelador (no lo quite)
B. Perno de la unidad

13. Coloque la ranura en la parte posterior del soporte de ruedecilla sobre el orificio en la parte posterior del refrigerador/congelador convertible. Alinee el orificio del frente en el soporte de ruedecilla con el orificio en el frente del refrigerador/congelador convertible.

Esquina inferior trasera

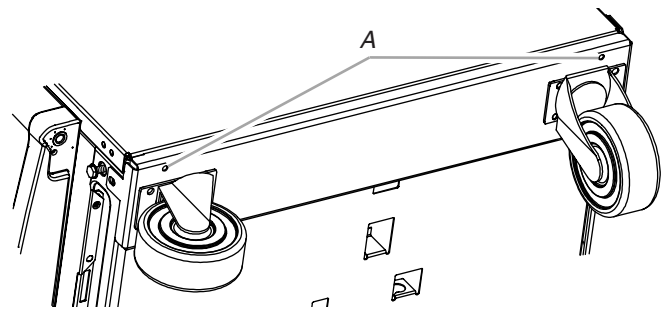


A. Orificio trasero de la unidad
B. Soporte de ruedecilla

14. Sostenga el soporte en su lugar e inserte los pernos de la unidad en los orificios delantero y trasero de la unidad y apriételos.

NOTA: No apriete demasiado los pernos.

15. Inserte dos de los pernos autorroscantes de cabeza hexagonal de $\frac{1}{4}$ —20 x $1\frac{1}{4}$ " y las contratuercas en los dos orificios del lado del soporte de ruedecilla. Empuje el soporte de ruedecilla contra el fondo del refrigerador/congelador convertible y apriete los pernos usando una llave de cubo de $\frac{3}{8}$ ".

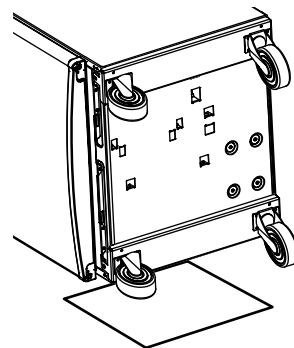


A. Orificios del soporte de las ruedecillas

16. Repita los pasos 12 al 15 para el segundo soporte de la ruedecilla.

Complete el ensamblaje

1. Tranque las ruedecillas frontales.
2. Inserte un pequeño trozo de cartón entre el freno de la ruedecilla y el piso. Esto ayudará a prevenir que el freno frote contra el piso.



3. Coloque el refrigerador/congelador convertible en posición vertical.
4. Vuelva a colocar la rejilla de la base colocando los ganchos de metal en las aberturas del panel de metal y deslizando la rejilla hacia abajo hasta que calce en su lugar.
5. Desbloquee las ruedas y mueva el refrigerador/congelador convertible hacia el lugar deseado.
6. Después que el refrigerador/congelador convertible esté en su lugar, vuelva a trabar las ruedas.
7. Enchufe el refrigerador/congelador convertible o reconecte el suministro de energía.

Sonidos normales

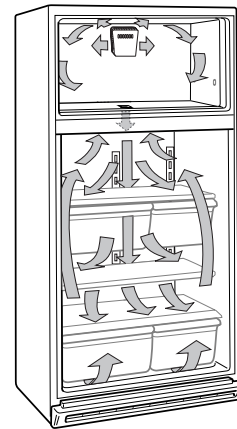
Su nuevo refrigerador/congelador convertible puede hacer ruidos que su viejo refrigerador/congelador convertible no hacía. Como estos sonidos son nuevos para Ud., puede ser que se preocupe. La mayoría de los sonidos nuevos son normales. Las superficies duras tales como el piso, paredes y gabinetes pueden hacer que los sonidos parezcan más fuertes. A continuación se describen los tipos de sonidos y qué puede causarlos.

- Su refrigerador/congelador convertible está diseñado para funcionar con eficiencia para conservar sus alimentos a la temperatura deseada y para reducir al mínimo el uso de energía. El compresor y los ventiladores de alta eficiencia pueden causar que su nuevo refrigerador/congelador convertible funcione por períodos de tiempo más largos que su refrigerador/congelador convertible viejo. También puede escuchar un sonido pulsante o agudo al ajustarse el compresor o el ventilador para un funcionamiento óptimo.
- Su refrigerador/congelador convertible tendrá un sonido más fuerte que los refrigeradores normales. Esto se debe a la alta velocidad del ventilador. Esta velocidad es necesaria para mantener el funcionamiento adecuado en los ambientes más ríginosos de la mayoría de los garages.
- Puede ser que escuche un chisporroteo después de cerrar la puerta del compartimiento inferior. Esto se debe a la temperatura más baja del compartimiento inferior y el sellado más fuerte de la puerta.
- Puede ser que Ud. escuche el motor del ventilador del evaporador circulando el aire a través de los compartimientos inferior y superior. La velocidad del ventilador puede aumentar cuando se abren las puertas o se agregan alimentos tibios.
- Las vibraciones pueden producirse por el flujo de líquido refrigerante o artículos guardados arriba del refrigerador/congelador convertible.
- El agua que gotea en el calentador del descongelador durante el ciclo de descongelación puede causar chisporroteos.
- Al final de cada ciclo, Ud. puede escuchar un gorgoteo debido al flujo de líquido refrigerante en su refrigerador/congelador convertible.
- La contracción y expansión de las paredes internas pueden causar un ligero estallido.
- Ud. puede escuchar aire forzado por el ventilador del condensador sobre el condensador.
- Ud. puede escuchar agua corriendo hacia la bandeja recolectora durante el ciclo de descongelación.

USO DEL REFRIGERADOR/ CONGELADOR CONVERTIBLE

Cómo asegurar la debida circulación de aire

Para asegurarse de la temperatura adecuada, debe permitir un flujo de aire entre la sección inferior y superior. Según se muestra en la ilustración, la mayoría del aire frío entra al compartimiento inferior por los orificios de ventilación detrás de la caja de controles inferior, pasa por la sección inferior y vuelve a circular por la abertura en la parte superior del compartimiento inferior. El resto de aire frío entra al compartimiento superior por los orificios de ventilación en la caja de controles superior, pasa por la sección superior y vuelve a circular por la pared trasera.



No bloquee estos orificios de ventilación con paquetes de alimentos. Si las rendijas de ventilación están bloqueadas, se impedirá el flujo del aire y esto puede dar lugar a problemas de temperatura y humedad.

IMPORTANTE: Debido a que el aire circula entre ambas secciones, cualquier olor que se forma en una sección pasará a la otra. Usted debe limpiar meticulosamente ambas secciones para eliminar olores. Para evitar la transferencia de olores y la deshidratación de los alimentos, envuelva o tape bien los alimentos.

Uso de los controles

Para su conveniencia, los controles de su refrigerador/congelador convertible vienen prefijados de fábrica con el compartimiento superior fijo en el modo de refrigerador y los controles del compartimiento inferior fijos en el punto medio. Al instalar su refrigerador/congelador convertible por primera vez, cerciórese de que los controles aún estén prefijados en los ajustes de fábrica.

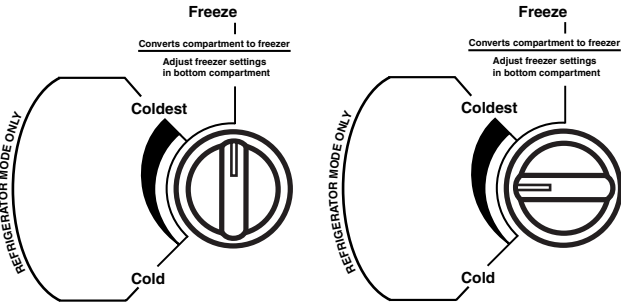
Control del compartimiento superior

El compartimiento superior de su refrigerador/congelador convertible puede funcionar tanto como un refrigerador o como un congelador. El control para el compartimiento superior le permite cambiarlo del Modo de Refrigerador a Congelar. Asegúrese de haber seleccionado el modo correcto según sus necesidades de almacenamiento.

Su refrigerador/congelador convertible ha sido diseñado para usarse en el garage. Si se fija el compartimiento superior en Freeze (Congelar), el ajuste que se use para el compartimiento inferior deberá ser el adecuado para la mayoría de las condiciones ambientales de verano o invierno. Bajo condiciones extremas de invierno o verano, es posible que necesite hacer ajustes menores en el control del compartimiento superior, para así mantener la temperatura deseada en el mismo.

Para cambiar el compartimiento superior al Modo de Congelar:

- Gire el control completamente hacia FREEZE (Congelar).

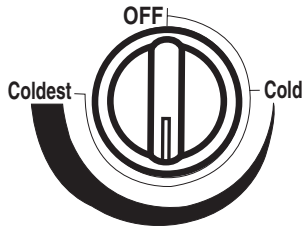


IMPORTANTE: Si se fija el control entre los ajustes de FREEZE (Congelar) y COLDEST (Más frío), es posible que el compartimiento superior no funcione en el modo deseado. El control deberá girarse completamente hacia FREEZE para que funcione debidamente como congelador o en el rango entre COLD (Frío) y COLDEST (Más frío) para que funcione debidamente como refrigerador.

Control del compartimiento inferior

El compartimiento inferior funciona siempre como congelador. El control en el compartimiento inferior controla la temperatura en el compartimiento inferior y la temperatura en el compartimiento superior cuando el último está en el modo de congelar.

NOTA: Para apagar su refrigerador/congelador convertible, gire el control del compartimiento inferior hacia la palabra OFF (Apagado) y gire el control del compartimiento superior hacia la palabra FREEZE (Congelar). Su refrigerador/congelador convertible no enfriará cuando el control del compartimiento inferior esté fijo en OFF.



IMPORTANTE:

- Cuando el compartimiento superior está en el modo de refrigeración, la temperatura se controla con el control superior. Cuando está en el modo de congelar, la temperatura se controla con el control del compartimiento inferior.
- Déle tiempo al refrigerador/congelador convertible para que se enfríe completamente antes de agregar alimentos. Es mejor esperar 24 horas antes de colocar los alimentos en el refrigerador/congelador convertible.
- Si agrega alimentos antes de que el refrigerador/congelador convertible se haya enfriado por completo, sus alimentos podrían echarse a perder. El poner los controles del compartimiento inferior y superior en un ajuste más frío que el recomendado no enfriará más rápido los compartimientos.

Cómo ajustar los controles

Los ajustes indicados en la sección previa deben estar correctos para el uso normal de un refrigerador/congelador convertible familiar. Los controles están ajustados correctamente cuando la leche o los jugos están tan fríos como Ud. desea y cuando el helado tiene consistencia firme.

Si la temperatura está demasiado caliente o demasiado fría en el compartimiento inferior o superior, primero revise los orificios de ventilación para asegurarse de que no están bloqueados.

Si necesita regular las temperaturas, utilice como guía los ajustes que se enumeran en la tabla siguiente. Espere por lo menos 24 horas entre un ajuste y otro, y después vuelva a verificar las temperaturas.

CONDICIÓN/MOTIVO:

AJUSTE:

La sección del COMPARTIMIENTO INFERIOR está demasiado caliente
- La puerta se ha abierto a menudo, se agregó una gran cantidad de alimentos o la temperatura ambiente es muy alta

Ajuste el control del COMPARTIMIENTO INFERIOR hacia la posición más fría.

La sección del COMPARTIMIENTO SUPERIOR está demasiado caliente
- La puerta se ha abierto a menudo, se agregó una gran cantidad de alimentos o la temperatura ambiente es muy baja (no gira el ciclo con suficiente frecuencia)

Si está en el Modo de Refrigerador, ajuste el control del COMPARTIMIENTO SUPERIOR hacia la posición más fría.
Si está en el modo de Congelar, ajuste el control del COMPARTIMIENTO INFERIOR hacia la posición más fría.

La sección del COMPARTIMIENTO INFERIOR está demasiado fría
- Los controles no están fijados correctamente de acuerdo a las condiciones ambientales

Ajuste el control del COMPARTIMIENTO INFERIOR hacia la posición fría.

La sección del COMPARTIMIENTO SUPERIOR está demasiado fría
- Los controles no están fijados correctamente de acuerdo a las condiciones ambientales

Si está en el Modo de Refrigerador, ajuste el control del COMPARTIMIENTO SUPERIOR hacia la posición fría.
Si está en el modo de Congelación, ajuste el control del COMPARTIMIENTO INFERIOR hacia la posición fría.

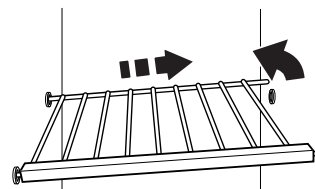
CARACTERÍSTICAS DEL COMPARTIMIENTO SUPERIOR

Estante del compartimiento superior

Para quitar y volver a colocar el estante:

1. Quite el estante levantándolo ligeramente y moviéndolo completamente hacia el lado izquierdo. Levante el lado derecho hacia arriba y fuera de los soportes del estante.
2. Vuelva a colocar el estante introduciendo completamente el extremo izquierdo en los soportes del estante. Luego baje el extremo derecho del estante e introdúzcalo en los soportes del mismo.

NOTA: El estante deberá bajarse ligeramente y encajar en su lugar. Si el estante no parece estable, asegúrese de que ambos extremos del estante hayan encajado en los soportes del estante.



Base del compartimiento superior

Para quitar y volver a colocar la base del compartimiento superior:

1. Saque todos los artículos de la base del compartimiento.
2. Quite la base levantándola de la parte frontal y jalándola hacia afuera.
3. Vuelva a colocar la base insertando las dos lengüetas traseras en los orificios de la parte trasera del compartimiento inferior. Baje la base hasta el revestimiento del compartimiento inferior.

CARACTERÍSTICAS DEL COMPARTIMIENTO INFERIOR

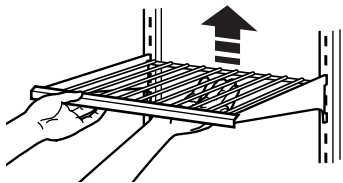
Estantes

Los estantes de su refrigerador/congelador convertible son ajustables para más flexibilidad de almacenamiento. Ajuste los estantes a alturas diferentes y guarde alimentos similares juntos. Esto reduce el tiempo que la puerta está abierta a la vez que ahorra energía.

Estante/marco de medio ancho

Para quitar y volver a colocar un estante/marco:

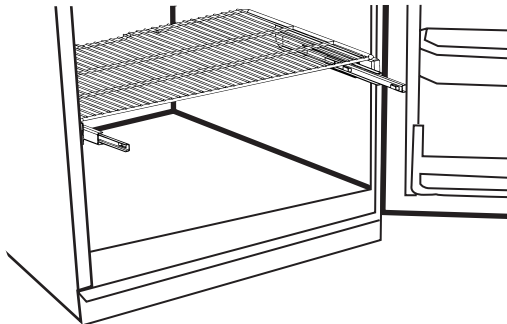
1. Quite el estante/marco inclinándolo por el frente y levantándolo fuera de los soportes del estante.
2. Vuelva a colocar el estante/marco guiando los ganchos posteriores del estante dentro de los soportes del estante. Levante el frente del estante hacia arriba hasta que los ganchos traseros del estante calcen en los soportes del estante. Revise para cerciorarse de que el estante esté bien fijo en su lugar.



Estante de ancho completo

Para quitar y volver a colocar el estante:

1. Saque todos los artículos que están en el estante. Quite el estante levantándolo de la parte frontal y jalándolo hacia afuera.
2. Vuelva a colocar el estante levantando la parte frontal mientras desliza nuevamente el estante hasta que calce en su lugar.

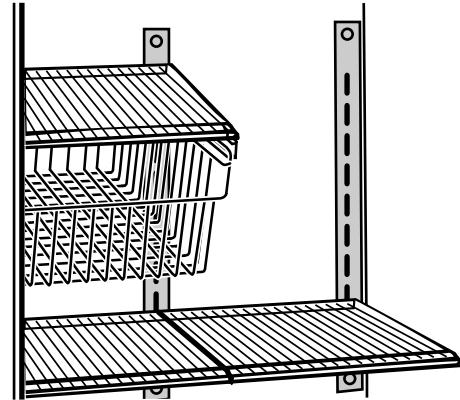


Canastillas

Canastillas de alambre de medio ancho

Para quitar y volver a colocar la canastilla:

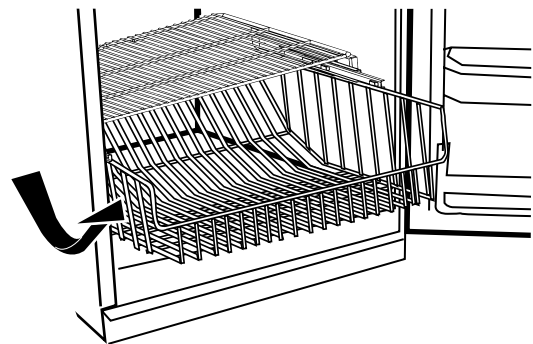
1. Saque todos los artículos que están en la canastilla. Quite la canastilla levantándola de la parte frontal hacia afuera de las correderas y luego levantándola hacia afuera.
2. Vuelva a colocar la canastilla de alambre bajándola en las correderas y luego empujando la canastilla hacia atrás hasta que esté debajo del estante.



Canastilla de alambre de ancho completo

Para quitar y volver a colocar la canastilla:

1. Saque todos los artículos que están en la canastilla. Quite la canastilla levantándola de la parte frontal hacia afuera de las correderas con cojinete de municiones y luego levantándola hacia afuera.
2. Vuelva a colocar la canastilla de alambre extendiendo primeramente las correderas con cojinete de municiones y bajando las lengüetas en ambos lados de la canastilla de alambre en las correderas. Empuje la canastilla hacia atrás hasta que esté debajo del estante.



Guía para la conservación de alimentos congelados

Los períodos de conservación variarán según la calidad y tipo de alimentos, el tipo de embalaje o envoltura empleada (deberá ser hermético y a prueba de humedad), y la temperatura de conservación. Selle bien el paquete o envase para evitar la transferencia de sabor y olor en todo el producto. Es normal que hayan cristales de hielo dentro de un paquete sellado.

No coloque en el congelador más alimentos sin congelar de los que puedan congelarse en 24 horas (no más de 2 a 3 lb de alimentos por pie cúbico [907 a 1.350 g por 28 L] de espacio en el congelador). Deje suficiente espacio en el congelador para la circulación de aire entre los paquetes. La puerta del congelador debe cerrarse herméticamente. Para obtener más información respecto a la preparación de alimentos para su congelación, consulte una guía de congeladores o un buen libro de cocina.

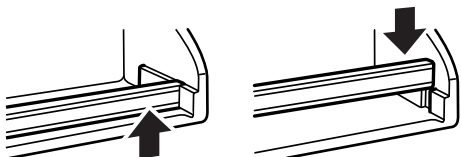
CARACTERÍSTICAS DE LA PUERTA

Rieles de la puerta

Se pueden quitar los rieles de la puerta para facilitar la limpieza.

Para quitar y volver a colocar los rieles:

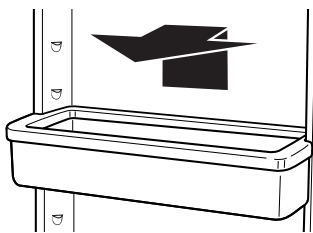
1. Quite los rieles jalando directamente hacia arriba cada extremo del riel.
2. Vuelva a colocar los rieles deslizando el riel del estante en las ranuras de la puerta y empujando el riel directamente hacia abajo hasta que se detenga.



Recipientes de la puerta

Para quitar y volver a colocar los recipientes:

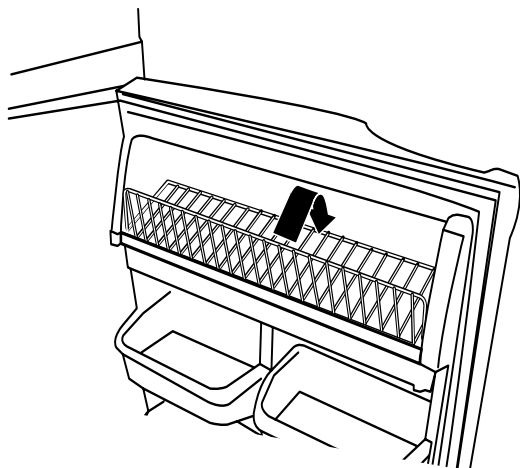
1. Quite el recipiente levantándolo y jalándolo directamente hacia afuera.
2. Vuelva a colocar el compartimiento deslizándolo encima del soporte deseado y empujándolo hacia abajo hasta que se detenga.



Estante de alambre para la puerta

Para quitar y volver a colocar el estante de alambre para la puerta:

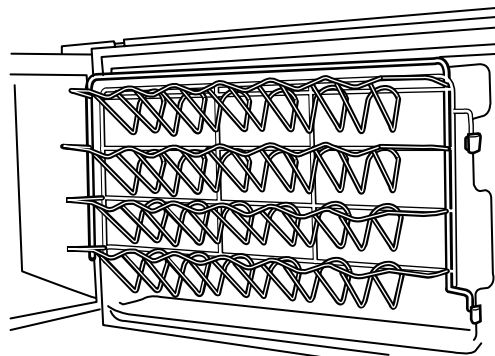
1. Quite el estante de alambre para la puerta jalándolo hacia afuera de la guía de la puerta.
2. Vuelva a colocar el estante de la puerta deslizándolo en la parte posterior de la guía de la puerta y calzándolo en su lugar.



Portatalatas

Para quitar y volver a colocar el portatalatas:

1. Quite el portatalatas levantándolo y jalándolo directamente hacia afuera.
2. Vuelva a colocar el portatalatas deslizándolo encima de los soportes y empujándolo hacia abajo hasta que se detenga.



CUIDADO DEL REFRIGERADOR/CONGELADOR CONVERTIBLE

Limpieza

⚠ ADVERTENCIA



Peligro de Explosión

Use un limpiador no inflamable.

No seguir esta instrucción puede ocasionar la muerte, explosión o incendio.

Tanto el compartimiento inferior como el superior se descongelan automáticamente. No obstante, limpie ambas secciones más o menos una vez al mes para evitar la acumulación de olores. Limpie los derrames de inmediato.

Para limpiar su refrigerador/congelador convertible:

1. Desenchufe el refrigerador/congelador convertible o desconecte el suministro de energía.
2. Quite todas las partes desmontables del interior, tales como estantes, cajones para verduras, etc.
3. Lave a mano, enjuague y seque todas las partes desmontables y las superficies interiores meticulosamente. Use una esponja limpia o un paño suave y un detergente suave con agua tibia.
 - No use productos de limpieza abrasivos o ásperos, como aerosoles para ventanas, productos de limpieza para pulir, líquidos inflamables, ceras para limpieza, detergentes concentrados, blanqueadores o productos de limpieza que contengan productos de petróleo en las partes de plástico, en el interior, revestimientos de la puerta o juntas. No use toallas de papel, estropajos para fregar u otros utensilios de limpieza ásperos. Éstos pueden rayar o dañar los materiales.
 - Para ayudar a eliminar olores, puede lavar las paredes interiores con una mezcla de agua tibia y bicarbonato de sodio (2 cucharadas en 1 cuarto de galón [26 g en 0,95 L] de agua).

Cuidado durante las vacaciones y mudanzas

Vacaciones

Si Ud. decide dejar el refrigerador/congelador convertible funcionando mientras está ausente:

1. Use todos los artículos perecederos y congele el resto.

Si Ud. decide apagar el refrigerador/congelador convertible antes de irse:

1. Saque toda la comida del refrigerador/congelador convertible.
2. Coloque el control del compartimiento inferior en la posición de OFF (Apagado). Coloque el control del compartimiento superior en la posición de FREEZE (Congelar). Vea "Uso de los controles".
3. Lave a mano, enjuague y seque todas las partes desmontables y las superficies interiores meticulosamente.
4. Fije bloques de goma o de madera con cinta adhesiva a a la parte superior de ambas puertas para que queden lo suficientemente abiertas para que entre el aire. Esto evita que se formen olores y que crezcan hongos.

Mudanza

Si Ud. muda su refrigerador/congelador convertible a una casa nueva, siga los siguientes pasos para prepararse para la mudanza.

1. Saque toda la comida del refrigerador/congelador convertible y empaque todos los alimentos congelados en hielo seco.
2. Coloque el control del compartimiento inferior en la posición de OFF (Apagado). Coloque el control del compartimiento superior en la posición de FREEZE (Congelar). Vea "Uso de los controles".
3. Desenchufe el refrigerador/congelador convertible.
4. Vacíe el agua de la bandeja recolectora. Lávela a mano, enjuáguela y séquela bien.
5. Lave a mano, enjuague y seque todas las partes desmontables y las superficies interiores meticulosamente.
6. Envuelva bien las partes desmontables y asegúrelas con cinta adhesiva para que no se sacudan durante la mudanza.
7. Destrahe las ruedecillas para que el refrigerador/congelador convertible pueda rodar con facilidad.
8. Si no ha instalado las ruedecillas, levante la parte de adelante del refrigerador/congelador convertible de manera que pueda rodar con más facilidad. Vea "Ajuste las puertas".
9. Sostenga las puertas cerradas y el cable pegado al gabinete del refrigerador/congelador convertible con cinta adhesiva.

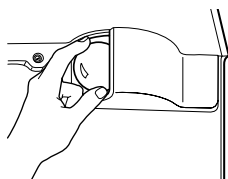
Cuando llegue a la casa nueva, ponga todo de nuevo y lea la sección "Instrucciones de instalación" para obtener instrucciones de preparación.

4. Limpie el exterior con una esponja limpia o un paño liso y un detergente suave en agua tibia. No use limpiadores ásperos o abrasivos ni limpiadores destinados a acero inoxidable. Seque meticulosamente con un paño suave. Para obtener una protección adicional contra daños a las superficies exteriores metálicas pintadas, aplique cera para electrodomésticos (o cera en pasta para autos) con un paño limpio y suave. No encere las partes de plástico.
5. Una limpieza rutinaria del condensador no es necesaria en ambientes normales de operación en el hogar. Si el ambiente contiene mucha grasa o polvo, o si hay bastante tránsito de mascotas en el hogar, el condensador deberá limpiarse cada dos o tres meses para asegurar la máxima eficacia.
Si necesita limpiar el condensador:
 - Quite la rejilla de base. Vea "Puertas del refrigerador/congelador convertible".
 - Use una aspiradora con un cepillo suave para limpiar la rejilla, las áreas abiertas detrás de la rejilla y la superficie frontal del condensador.
 - Vuelva a colocar la rejilla de la base cuando termine.
6. Enchufe el refrigerador/congelador convertible o reconecte el suministro de energía.

Cómo cambiar los focos

NOTA: No todos los focos son adecuados para su refrigerador/congelador convertible. Asegúrese de reemplazar el foco para electrodomésticos con otro del mismo tamaño, forma y vatiaje.

1. Desenchufe el refrigerador/congelador convertible o desconecte el suministro de energía.
2. Quite el foco que se encuentra detrás del panel de control en el compartimiento inferior o detrás de la cubierta de la luz en el compartimiento superior (en algunos modelos). Reemplace el foco con otro del mismo vatiaje.
3. Enchufe el refrigerador/congelador convertible o reconecte el suministro de energía.



Cortes de corriente

Si no va a haber electricidad por 24 horas o menos, mantenga las puertas de ambos compartimientos cerradas para que los alimentos se mantengan fríos y congelados.

Si el corte de electricidad va a durar más de 24 horas haga lo siguiente:

- Saque todos los alimentos congelados y guárdelos en una conservadora de comida congelada.
- Ponga 2 lbs (907 g) de hielo seco en el refrigerador/congelador convertible por cada pie cúbico (28 L) de espacio en el congelador. Esto mantendrá los alimentos congelados de 2 a 4 días.
- Si no tiene conservadora de alimentos ni hielo seco, use todos los alimentos perecederos de una vez o póngalos en latas.

RECUERDE: Un congelador lleno se mantiene frío por más tiempo que uno a medio llenar. Un congelador lleno de carne se mantiene frío por más tiempo que uno lleno de alimentos de pastelería. Si Ud. ve que los alimentos contienen cristales de hielo, se pueden volver a congelar, pero la calidad y el sabor pueden afectarse. Si el alimento no está en buenas condiciones, descártelo.

SOLUCIÓN DE PROBLEMAS

Primero pruebe las soluciones sugeridas aquí para evitar el costo innecesario del servicio.

Su refrigerador/congelador convertible no funciona

⚠ ADVERTENCIA



Peligro de Choque Eléctrico

Conecte a un contacto de pared de conexión a tierra de 3 terminales.

No quite la terminal de conexión a tierra.

No use un adaptador.

No use un cable eléctrico de extensión.

No seguir estas instrucciones puede ocasionar la muerte, incendio o choque eléctrico.

- **¿Está desconectado el cable de suministro de energía?** Conecte a un contacto de pared de conexión a tierra de 3 terminales.
- **¿Hay un fusible de la casa fundido o se disparó el cortacircuitos?** Reemplace el fusible o reposicione el cortacircuitos.
- **¿Está el control del compartimiento inferior en la posición OFF (Apagado)?** Vea “Uso de los controles”.
- **¿Se está descongelando el refrigerador/congelador convertible?** En 30 minutos vuelva a revisar si el refrigerador/congelador convertible está funcionando. Su refrigerador/congelador convertible activa regularmente un ciclo de descongelación automática.

Las luces no funcionan

- **¿Está desconectado el cable de suministro de energía?** Conecte a un contacto de pared de conexión a tierra de 3 terminales.
- **¿Está flojo o quemado un foco?** Vea “Cómo cambiar los focos”.

Hay agua en la bandeja recolectora de agua

- **¿Se está descongelando el refrigerador/congelador convertible?** El agua se evaporará. Es normal que caigan gotas de agua en la bandeja recolectora de agua.
- **¿Está más húmedo que lo normal?** Cuando esté húmedo, tenga en cuenta que el agua en la bandeja recolectora tardará más en evaporarse.

Parece que el motor funciona excesivamente

- **¿Está la temperatura ambiente más caliente que lo normal?** En condiciones de calor, el motor funciona por períodos más largos. Cuando la temperatura ambiente es normal, el motor funcionará entre 40% y 80% del tiempo. Si la habitación está caliente, puede funcionar por más tiempo.
- **¿Se acaba de agregar una gran cantidad de alimentos al refrigerador/congelador convertible?** Agregar grandes cantidades de alimentos hace que se caliente el refrigerador/congelador convertible. Es normal que el motor funcione por períodos más prolongados para volver a enfriar el refrigerador/congelador convertible.
- **¿Se han abierto las puertas a menudo?** Cuando esto ocurre, el motor funcionará por períodos más largos. Para ahorrar energía, trate de sacar todo lo que necesita del refrigerador/congelador convertible de una sola vez, mantenga los alimentos organizados y cierre la puerta inmediatamente después de sacarlos.
- **¿Se ha ajustado el control correctamente de acuerdo con las condiciones circundantes?** Vea “Uso de los controles”.
- **¿Están las puertas completamente cerradas?** Cierre las puertas con firmeza. Si no cierran completamente, vea “Las puertas no cierran completamente” más adelante en esta sección.
- **¿Están sucios los serpentines del condensador?** Esto impide la transferencia del aire y hace que el motor trabaje más. Limpie los serpentines del condensador. Vea “Limpieza”.

NOTA: Su nuevo refrigerador/congelador convertible funcionará por períodos más largos que su viejo refrigerador/congelador convertible debido al motor de alto rendimiento.

El refrigerador/congelador convertible parece hacer mucho ruido

- **Los sonidos pueden ser normales para su refrigerador/congelador convertible.** Vea “Sonidos normales”.

El revestimiento frontal del compartimiento superior está tibio

Probablemente el calor se debe al funcionamiento normal del control automático de humedad exterior. Adicionalmente, el refrigerador/congelador convertible está equipado con un calentador para mantener el refrigerador/congelador convertible funcionando correctamente cuando la temperatura ambiental baja demasiado.

La temperatura está demasiado caliente

- **¿Están bloqueados los orificios de ventilación en cualquiera de los compartimientos?** Esto previene el movimiento de aire frío entre los compartimientos. Mueva los objetos lejos de los orificios de ventilación de aire. Vea la ubicación de estos orificios en “Cómo asegurar la debida circulación del aire”.
- **¿Se abre(n) la(s) puerta(s) con frecuencia?** El refrigerador/congelador convertible se calienta cuando esto ocurre. Mantenga el refrigerador/congelador convertible frío sacando todo lo que necesite del refrigerador/congelador convertible de una sola vez, manteniendo los alimentos organizados y cerrando la puerta inmediatamente después de sacarlos.
- **¿Se acaba de agregar una gran cantidad de alimentos al refrigerador/congelador convertible?** Agregar grandes cantidades de alimentos hace que se caliente el refrigerador/congelador convertible. Pueden transcurrir varias horas para que el refrigerador/congelador convertible recupere su temperatura normal.
- **¿Se han ajustado los controles correctamente de acuerdo con las condiciones circundantes?** Vea “Uso de los controles”.

Hay acumulación de humedad en el interior

- **¿Están bloqueados los orificios de ventilación en el refrigerador/congelador convertible?** Saque todos los objetos que bloquean los orificios de ventilación. Vea la ubicación de estos orificios en “Cómo asegurar la debida circulación del aire”.
- **¿Se abre(n) la(s) puerta(s) con frecuencia?** Evite la acumulación de humedad sacando todo lo que necesita de una sola vez, mantenga los alimentos organizados y cierre la puerta inmediatamente después de sacarlos.
- **¿Está húmeda la habitación?** Es normal que se acumule humedad dentro del refrigerador/congelador convertible cuando el aire exterior está húmedo.
- **¿Se han envuelto correctamente los alimentos?** Verifique que todos los alimentos estén bien envueltos. Seque los recipientes húmedos antes de colocarlos en el refrigerador/congelador convertible.
- **¿Se ha ajustado el control correctamente de acuerdo con las condiciones circundantes?** Vea “Uso de los controles”.
- **¿Se ha completado un ciclo de descongelación automática?** Es normal que se formen gotitas cuando el refrigerador/congelador convertible se descongela automáticamente.

Es difícil abrir las puertas.

ADVERTENCIA



Peligro de Explosión

Use un limpiador no inflamable.

No seguir esta instrucción puede ocasionar la muerte, explosión o incendio.

- **¿Están las empaquetaduras sucias o pegajosas?** Limpie las empaquetaduras y las superficies que éstas toquen. Frote una capa delgada de cera de parafina sobre las empaquetaduras después de la limpieza.
- **¿Ha abierto recientemente la puerta del refrigerador/congelador convertible?** Permita por lo menos 10 segundos después de cerrar la puerta del refrigerador/congelador convertible antes de intentar abrir el compartimiento superior.

Las puertas no cierran completamente

- **¿Hay paquetes de comida que impiden que se cierre la puerta?** Vuelva a organizar los recipientes de manera que queden más juntos.
- **¿Están la tapa del cajón para verduras, bandejas, estantes, depósitos o canastillas mal colocados?** Coloque estos artículos en su posición correcta. Para obtener más información, vea “Características del compartimiento inferior”.
- **¿Se balancea el refrigerador/congelador convertible o parece inestable?** Nivele el refrigerador/congelador convertible. Vea “Ajuste las puertas”.
- **¿Se desmontaron las puertas durante la instalación de la unidad y no se volvieron a instalar correctamente?** Quite y vuelva a colocar las puertas de acuerdo con “Puertas del refrigerador/congelador convertible”, o llame a un técnico de servicio calificado.

AYUDA O SERVICIO TÉCNICO

Antes de solicitar ayuda o servicio técnico, por favor consulte la sección "Solución de Problemas". Esto le podría ahorrar el costo de una visita de servicio técnico. Si considera que aún necesita ayuda, siga las instrucciones que aparecen a continuación.

Cuando llame, tenga a mano la fecha de compra y el número completo del modelo y de la serie de su electrodoméstico. Esta información nos ayudará a atender mejor a su pedido.

Si necesita piezas de repuesto

Si necesita pedir refacciones, recomendamos que use únicamente piezas de repuesto especificadas de fábrica. Las piezas de repuesto especificadas de fábrica encajarán bien y funcionarán bien ya que están confeccionadas con la misma precisión empleada en la fabricación de cada electrodoméstico nuevo de Gladiator® GarageWorks.

Para encontrar piezas de repuesto especificadas de fábrica en su localidad, llámenos o llame al centro de servicio designado más cercano a su localidad.

En los EE.UU.

Llame al Centro para la eXperiencia del cliente de Gladiator® GarageWorks sin costo alguno al: **1-866-342-4089**.

Nuestros consultores ofrecen ayuda para:

- Características y especificaciones de nuestra línea completa de productos.
- Información sobre la instalación.
- Procedimiento para el uso y mantenimiento.
- Venta de accesorios y partes para reparación.
- Asistencia especializada para el consumidor (habla hispana, problemas de audición, visión limitada, etc.).
- Recomendaciones con distribuidores locales, compañías que dan servicio y distribuidores de partes para reparación. Los técnicos de servicio designados por Gladiator® GarageWorks están capacitados para cumplir con la garantía del producto y ofrecer servicio una vez que la garantía termine, en cualquier lugar de los Estados Unidos.

Para localizar a una compañía de servicio designada por Gladiator® GarageWorks en su área, también puede consultar la sección amarilla de su guía telefónica.

Para obtener asistencia adicional

Si necesita asistencia adicional, puede escribir a Gladiator® GarageWorks con sus preguntas o dudas a:

Gladiator® GarageWorks
Customer eXperience Center
553 Benson Road
Benton Harbor, MI 49022-2692

Por favor incluya en su correspondencia un número de teléfono en el que se le pueda localizar durante el día.

En Canadá

Para obtener asistencia, instalación o servicio técnico, llámenos al **1-800-807-6777**.

Nuestros consultores ofrecen ayuda para:

- Características y especificaciones de nuestra línea completa de electrodomésticos.
- Procedimientos para el uso y mantenimiento.
- Venta de accesorios y partes para reparación.
- Recomendaciones con distribuidores locales, compañías que dan servicio y distribuidores de partes para reparación. Los técnicos de servicio designados por Gladiator® GarageWorks están capacitados para cumplir con la garantía del producto y ofrecer servicio una vez que la garantía termine, en cualquier lugar en Canadá.

Para obtener asistencia adicional

Si necesita asistencia adicional, puede escribir a Whirlpool Canada LP con sus preguntas o dudas a:

Whirlpool Canada LP
Customer Interaction Centre
1901 Minnesota Court
Mississauga, Ontario L5N 3A7

Por favor incluya en su correspondencia un número de teléfono en el que se le pueda localizar durante el día.

GARANTÍA DE LOS ELECTRODOMÉSTICOS PRINCIPALES DE GLADIATOR® GARAGEWORKS

GARANTÍA LIMITADA DE UN AÑO

Durante un año a partir de la fecha de compra, siempre y cuando se dé a este electrodoméstico principal un uso y mantenimiento de conformidad con las instrucciones adjuntas o provistas con el producto, Whirlpool Corporation o Whirlpool Canada LP (en lo sucesivo denominado "Gladiator® GarageWorks") se hará cargo del costo de las piezas de repuesto FSP® y del trabajo de reparación para corregir defectos en los materiales o en la mano de obra. El servicio deberá ser suministrado por una compañía de servicio designada por Whirlpool.

GLADIATOR® GARAGEWORKS NO PAGARÁ POR LOS SIGUIENTES ARTÍCULOS

1. Visitas de servicio técnico para corregir la instalación de su electrodoméstico principal, para enseñarle a usar su electrodoméstico principal, para cambiar o reparar fusibles domésticos o para corregir la instalación eléctrica o de la tubería de la casa.
2. Visitas de servicio técnico para reparar o reemplazar focos para electrodomésticos, filtros de aire o filtros de agua. Esos insumos están excluidos de la cobertura de la garantía.
3. Reparaciones cuando su electrodoméstico principal se use de un modo diferente al doméstico normal de una familia.
4. Daños causados por accidente, alteración, uso indebido, abuso, incendio, inundación, actos fortuitos, instalación incorrecta, instalación que no esté de acuerdo con los códigos eléctricos o de plomería, o el empleo de productos no aprobados por Gladiator® GarageWorks.
5. Cualquier pérdida de comida debido a fallas del refrigerador o del congelador.
6. Piezas de repuesto o gastos de reparación para electrodomésticos que se empleen fuera de los Estados Unidos o Canadá.
7. Recogida y entrega. Este electrodoméstico principal está diseñado para ser reparado en el hogar.
8. Reparaciones de piezas o sistemas como resultado de modificaciones no autorizadas que se hayan efectuado en el electrodoméstico.
9. Gastos de viaje y transporte para obtener servicio del producto en lugares remotos.
10. La remoción e instalación de su electrodoméstico si estuviera instalado en un lugar inaccesible o si no estuviera instalado de conformidad con las instrucciones de instalación publicadas.

EXCLUSIÓN DE GARANTÍAS IMPLÍCITAS; LIMITACIÓN DE RECURSOS

EL ÚNICO Y EXCLUSIVO RECURSO DEL CLIENTE SEGÚN LOS TÉRMINOS DE ESTA GARANTÍA LIMITADA SERÁ EL DE REPARAR EL PRODUCTO SEGÚN SE ESTIPULA EN LA PRESENTE. LAS GARANTÍAS IMPLÍCITAS, INCLUYENDO LAS GARANTÍAS DE COMERCIABILIDAD O DE CAPACIDAD PARA UN PROPÓSITO PARTICULAR, SERÁN LIMITADAS A UN AÑO O AL PERÍODO MÁS CORTO PERMITIDO POR LEY. WHIRLPOOL NO SE RESPONSABILIZARÁ POR DAÑOS INCIDENTALES O CONSECUENTES. ALGUNOS ESTADOS Y PROVINCIAS NO PERMITEN LAS EXCLUSIONES O LIMITACIONES POR DAÑOS INCIDENTALES O CONSECUENTES, O LIMITACIONES ACERCA DE CUÁNTO DEBE DURAR UNA GARANTÍA IMPLÍCITA DE COMERCIABILIDAD O CAPACIDAD, DE MODO QUE LAS LIMITACIONES O EXCLUSIONES ARRIBA MENCIONADAS PUEDEN NO APLICARSE EN SU CASO. ESTA GARANTÍA LE OTORGA DERECHOS LEGALES ESPECÍFICOS Y ES POSIBLE QUE USTED TENGA TAMBIÉN OTROS DERECHOS QUE PUEDEN VARIAR DE UN ESTADO A OTRO O DE UNA PROVINCIA A OTRA.

Esta garantía no tiene vigor fuera de los cincuenta Estados Unidos y Canadá. Póngase en contacto con el distribuidor autorizado de Gladiator® GarageWorks para determinar si corresponde otra garantía.

Si necesita servicio, consulte primero la sección "Solución de problemas" del Manual de uso y cuidado. Después de consultar la sección "Solución de problemas", puede encontrar ayuda adicional en la sección "Ayuda o servicio técnico", o llamando a Gladiator® GarageWorks. En E.U.A., llame al **1-866-342-4089**. En Canadá, llame al **1-800-807-6777**. 8/05

Guarde este libro y su comprobante de compra juntos para referencia futura. Usted deberá proporcionar el comprobante de la compra o una fecha de instalación para obtener servicio bajo la garantía.

Escriba la siguiente información acerca de su electrodoméstico principal para ayudarlo mejor a obtener asistencia o servicio técnico si alguna vez llegara a necesitarlo. Deberá tener a mano el número completo del modelo y de la serie. Usted puede encontrar esta información en la etiqueta con el número de modelo y de serie ubicada en el producto.

Nombre del distribuidor _____

Dirección _____

Número de teléfono _____

Número de modelo _____

Número de serie _____

Fecha de compra _____

SÉCURITÉ DU RÉFRIGÉRATEUR/CONGÉLATEUR CONVERTIBLE

Votre sécurité et celle des autres est très importante.

Nous donnons de nombreux messages de sécurité importants dans ce manuel et sur votre appareil ménager. Assurez-vous de toujours lire tous les messages de sécurité et de vous y conformer.



Voici le symbole d'alerte de sécurité.

Ce symbole d'alerte de sécurité vous signale les dangers potentiels de décès et de blessures graves à vous et à d'autres.

Tous les messages de sécurité suivront le symbole d'alerte de sécurité et le mot "DANGER" ou "AVERTISSEMENT". Ces mots signifient :

! DANGER

Risque possible de décès ou de blessure grave si vous ne suivez pas immédiatement les instructions.

! AVERTISSEMENT

Risque possible de décès ou de blessure grave si vous ne suivez pas les instructions.

Tous les messages de sécurité vous diront quel est le danger potentiel et vous disent comment réduire le risque de blessure et ce qui peut se produire en cas de non-respect des instructions.

IMPORTANTES INSTRUCTIONS DE SÉCURITÉ

AVERTISSEMENT : Pour réduire les risques d'incendie, de choc électrique ou des blessures lors de l'utilisation du réfrigérateur/congélateur convertible, prendre quelques précautions fondamentales, y compris les suivantes :

- Brancher l'appareil sur une prise à 3 alvéoles reliée à la terre.
- Ne pas enlever la broche de liaison à la terre.
- Ne pas utiliser un adaptateur.
- Ne pas utiliser un câble de rallonge.
- Débrancher la source de courant électrique avant l'entretien.
- Replacer pièces et panneaux avant de faire la remise en marche.
- Utiliser un produit de nettoyage ininflammable.
- Garder les matériaux et les vapeurs inflammables, telle que l'essence, loin du réfrigérateur/congélateur convertible.
- Utiliser deux ou plus de personnes pour déplacer et installer le réfrigérateur/congélateur convertible.
- Enlever les portes ou le couvercle de votre vieux congélateur ou réfrigérateur.

CONSERVEZ CES INSTRUCTIONS

Mise au rebut de votre vieux réfrigérateur

! AVERTISSEMENT

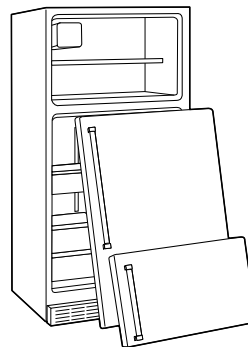
Risque de suffoquer

Enlever les portes de votre vieux réfrigérateur.

Le non-respect de cette instruction peut causer un décès ou des lésions cérébrales.

Avant de jeter votre vieux réfrigérateur :

- Enlever les portes.
- Laisser les tablettes en place de sorte que les enfants ne puissent pas y pénétrer facilement.



IMPORTANT : L'emprisonnement et l'étouffement des enfants ne sont pas un problème du passé. Les réfrigérateurs jetés ou abandonnés sont encore dangereux, même s'ils sont laissés abandonnés pendant "quelques jours seulement". Si vous vous débarrassez de votre vieux réfrigérateur, veuillez suivre les instructions suivantes pour aider à éviter les accidents.

INSTRUCTIONS D'INSTALLATION

Déballage du réfrigérateur

⚠ AVERTISSEMENT

Risque du poids excessif

Utiliser deux ou plus de personnes pour déplacer et installer le réfrigérateur/congélateur convertible.

Le non-respect de cette instruction peut causer une blessure au dos ou d'autre blessure.

Enlèvement des matériaux d'emballage

- Enlever le ruban adhésif et la colle des surfaces du réfrigérateur/congélateur convertible avant de le brancher. Frotter une petite quantité de savon liquide pour la vaisselle sur l'adhésif avec les doigts. Rincer à l'eau tiède et essuyer.
- Ne pas utiliser d'instruments coupants, d'alcool à friction, de liquides inflammables ou de nettoyants abrasifs pour enlever le ruban adhésif ou la colle. Ces produits peuvent endommager la surface de votre réfrigérateur/congélateur convertible. Pour plus de renseignements, voir la section "Sécurité du réfrigérateur/congélateur convertible".

Déplacement de votre réfrigérateur/congélateur convertible :

Votre réfrigérateur/congélateur convertible est lourd. Lors du déplacement du réfrigérateur/congélateur convertible pour le nettoyage ou le service, veiller à protéger le plancher. Toujours tirer le réfrigérateur/congélateur convertible tout droit lors du déplacement. Ne pas incliner le réfrigérateur/congélateur convertible d'un côté ou de l'autre ni le "faire marcher" en essayant de le déplacer car le plancher pourrait être endommagé.

REMARQUE : Si les roulettes sont installées, déverrouiller les roulettes avant d'essayer de déplacer le réfrigérateur/congélateur.

Nettoyage avant l'utilisation

Après avoir enlevé tous les matériaux d'emballage, nettoyer l'intérieur du réfrigérateur/congélateur convertible avant l'utilisation. Voir les instructions de nettoyage à la section "Entretien du réfrigérateur/congélateur convertible".

Machine à glaçons

Option de machine à glaçons non disponible.

Exigences d'emplacement

⚠ AVERTISSEMENT



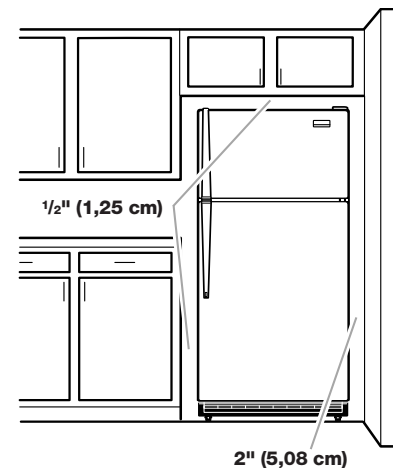
Risque d'explosion

Garder les matériaux et les vapeurs inflammables, telle que l'essence, loin du réfrigérateur/congélateur convertible.

Le non-respect de cette instruction peut causer un décès, une explosion ou un incendie.

Pour obtenir une aération appropriée pour votre réfrigérateur/congélateur convertible, laisser un espace de 1/2" (1,25 cm) de chaque côté et au sommet. Si vous installez votre réfrigérateur/congélateur convertible près d'un mur fixe, laisser un minimum de 2" (5,08 cm) du côté des charnières (certains modèles nécessitent davantage d'espace) pour permettre à la porte de s'ouvrir sans obstruction.

REMARQUE : Il est recommandé de ne pas installer le réfrigérateur/congélateur convertible près d'un four, d'un radiateur ou d'une autre source de chaleur, ni dans un endroit où la température montera au-dessus de 110°F (43°C), ou baissera au-dessous de 0°F (-17°C).



Spécifications électriques

AVERTISSEMENT



Risque de choc électrique

Brancher sur une prise à 3 alvéoles reliée à la terre.

Ne pas enlever la broche de liaison à la terre.

Ne pas utiliser un adaptateur.

Ne pas utiliser un câble de rallonge.

Le non-respect de ces instructions peut causer un décès, un incendie ou un choc électrique.

Avant de placer le réfrigérateur/congélateur convertible à son emplacement final, il est important de vous assurer d'avoir la connexion électrique appropriée. Votre réfrigérateur/congélateur convertible est équipé d'un cordon d'alimentation plus long pour une installation et un déplacement plus facile.

Méthode recommandée de mise à la terre

Une source d'alimentation de 115 volts, 60 Hz, type 15- ou 20-ampères CA seulement, protégée par fusible et adéquatement mise à la terre est nécessaire. Il est recommandé d'utiliser un circuit distinct pour alimenter uniquement votre réfrigérateur/congélateur convertible. Utiliser une prise murale qui ne peut pas être mise hors circuit à l'aide d'un commutateur. Ne pas utiliser de cordon de rallonge.

REMARQUE : Avant de procéder à tout type d'installation, de nettoyage ou de changement d'une ampoule, tourner la commande de compartiment inférieur sur OFF (arrêt) puis déconnecter le réfrigérateur/congélateur convertible de la source de courant électrique. Lorsqu'on a terminé, reconnecter le réfrigérateur/congélateur convertible à la source de courant électrique et remettre la commande au réglage désiré.

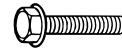
Portes du réfrigérateur/congélateur convertible

OUTILLAGE NÉCESSAIRE : Clé à douille, à tête hexagonale de 5/16", tournevis Phillips n°2, tournevis à lame plate, clé plate de 5/16", couteau à mastic plat de 2".

IMPORTANT :

- Retirer les aliments et tout balconnet ajustable ou compartiment utilitaire des portes.
- Si on souhaite uniquement démonter et réinstaller les portes, voir "Démontage - Portes et charnières" et "Réinstallation - Portes et charnières".
- Toutes les illustrations mentionnées dans les instructions suivantes sont incluses plus loin dans cette section après "Étapes finales".

Démontage - Portes et charnières



Vis de charnière à tête hexagonale de 5/16"

1. Débrancher le réfrigérateur/congélateur convertible ou déconnecter la source de courant électrique.
2. Ouvrir la porte du compartiment inférieur; enlever la grille de la base en bas du réfrigérateur/congélateur convertible. Voir l'illustration de la grille de base.
3. Fermer la porte du compartiment inférieur; maintenir les deux portes fermées jusqu'au moment où on est prêt à les séparer de la caisse de l'appareil.
REMARQUE : Prévoir un support additionnel des portes pendant le démontage des charnières. La force d'attraction des aimants des portes ne suffit pas à les maintenir en place.
4. Enlever les pièces de la charnière supérieure. Voir l'illustration de la charnière supérieure. Soulever la porte du compartiment supérieur pour la séparer de la caisse.
5. Enlever les pièces de la charnière centrale. Voir l'illustration de la charnière centrale. Soulever la porte du compartiment inférieur pour la séparer de la caisse.
6. Enlever les pièces de la charnière inférieure. Voir l'illustration de la charnière inférieure.

IMPORTANT : Si on souhaite inverser la position des portes pour pouvoir les ouvrir dans la direction opposée, procéder comme suit. S'il n'est pas nécessaire de changer l'orientation des portes, voir la section "Réinstallation - Portes et charnières".

Inversion des portes (facultatif)



Vis de poignée
à tête ronde



Bouchon obturateur
de la vis de poignée
de porte

Caisse

1. Enlever les vis de charnière à tête hexagonale de 5/16" (côté poignée) et les transférer du côté opposé. Voir l'illustration 1.
2. Enlever les bouchons obturateurs des charnières du sommet de la caisse et les placer dans les trous de charnière du côté opposé. Voir l'illustration 2.

Portes

1. Enlever la butée de la porte du compartiment supérieur et celle de la porte du compartiment inférieur et les transférer du côté opposé. Voir les illustrations 3 et 4.

Réinstallation - Portes et charnières

REMARQUE : Si on inverse le sens d'ouverture des portes, considérer l'image symétrique.

1. Réinstaller les pièces de la charnière inférieure. Voir l'illustration. Serrer les vis. Réinstaller la porte du compartiment inférieur.

REMARQUE : Prévoir un support additionnel des portes pendant la réinstallation des charnières. La force d'attraction des aimants des portes ne suffit pas à les maintenir en place.

2. Assembler les pièces de la charnière centrale. Voir l'illustration. Serrer toutes les vis. Voir l'illustration de la charnière centrale. Réinstaller la porte du compartiment supérieur.
3. Assembler les pièces de la charnière supérieure. Voir l'illustration - charnière supérieure. Ne pas complètement serrer les vis.
4. Aligner correctement les portes au niveau de la séparation entre le bas de la porte du compartiment supérieur et le sommet de la porte du compartiment inférieur. Serrer toutes les vis.

Étapes finales

1. Inspecter tous les trous. Vérifier que tous les bouchons obturateurs et vis sont en place. Réinstaller le couvercle de la charnière supérieure. Voir l'illustration - charnière supérieure.
2. Réinstaller la grille de la base. Voir l'illustration - grille de la base.

⚠ AVERTISSEMENT



Risque de choc électrique

Brancher sur une prise à 3 alvéoles reliée à la terre.

Ne pas enlever la broche de liaison à la terre.

Ne pas utiliser un adaptateur.

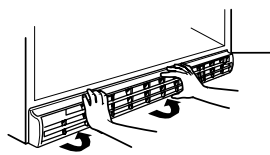
Ne pas utiliser un câble de rallonge.

Le non-respect de ces instructions peut causer un décès, un incendie ou un choc électrique.

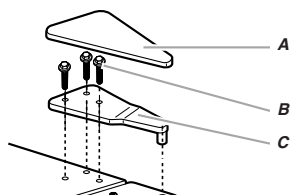
3. Brancher sur une prise à 3 alvéoles reliée à la terre.
4. Réinstaller les balconnets et autres pièces amovibles; répartir les aliments sur les balconnets.

Démontage et réinstallation de la porte

Grille de la base

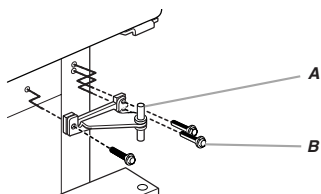


Charnière supérieure



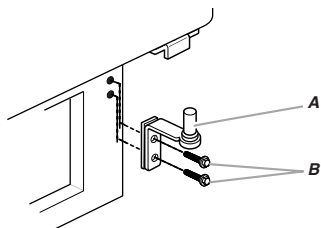
- A. Couvercle de charnière supérieure
- B. Vis de charnière à tête hexagonale de $\frac{5}{16}$ "
- C. Charnière supérieure

Charnière centrale



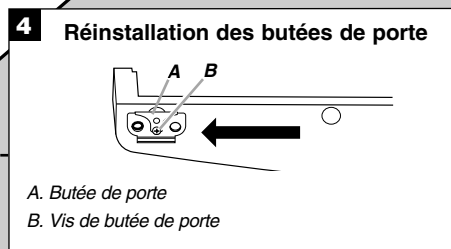
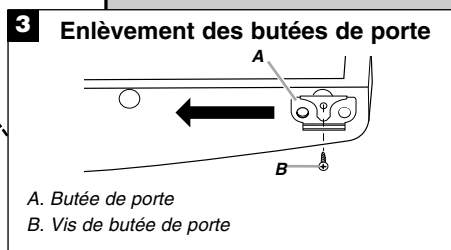
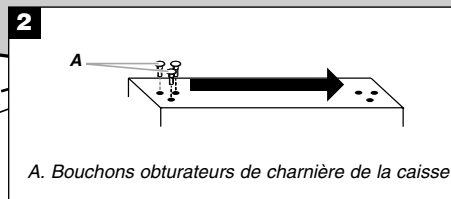
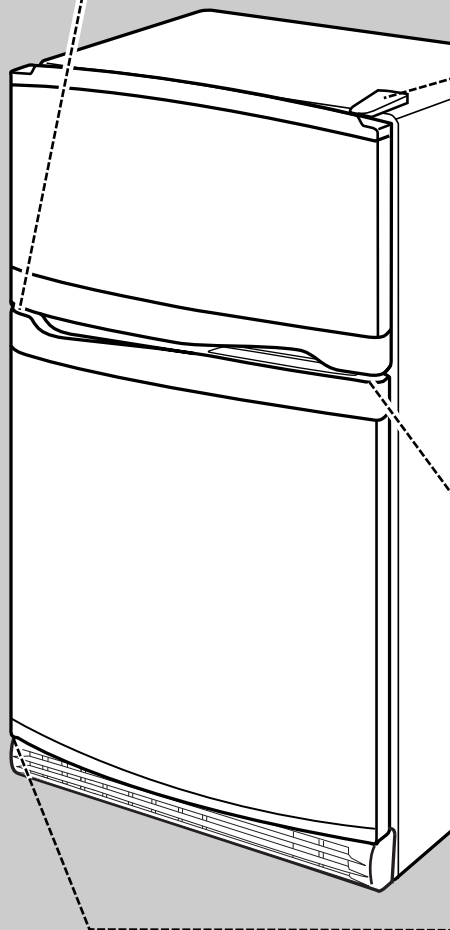
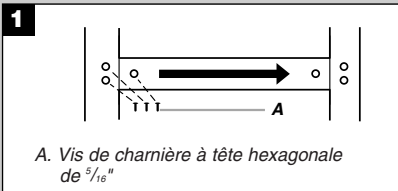
- A. Charnière centrale
- B. Vis de charnière à tête hexagonale de $\frac{5}{16}$ "

Charnière inférieure



- A. Charnière inférieure
- B. Vis de charnière à tête hexagonale de $\frac{5}{16}$ "

Inversion du sens d'ouverture de la porte (option)



Ajustement des portes

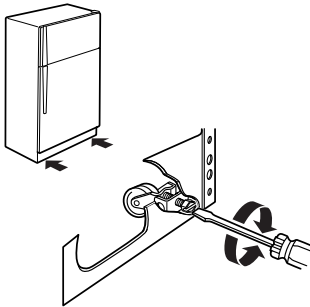
REMARQUE : Si votre réfrigérateur/congélateur convertible est muni de roulettes, les vis de nivellement ne fonctionneront pas. Dans ce cas, il est possible de placer des cales sous les roulettes pour niveler le réfrigérateur/congélateur convertible.

Fermeture des portes

Votre réfrigérateur/congélateur convertible présente deux roulettes réglables à l'avant – l'une du côté droit et l'autre du côté gauche. Si votre réfrigérateur/congélateur convertible semble instable ou si vous désirez que les portes se ferment plus facilement, faire le réglage de l'inclinaison du réfrigérateur/congélateur convertible en suivant les instructions ci-dessous.

1. Enlever la grille de la base. Voir l'illustration Grille de la base dans "Portes du réfrigérateur/congélateur convertible". Les deux vis de nivellement font partie des montages de roulettes avant qui sont à la base du réfrigérateur/congélateur convertible d'un côté et de l'autre.
2. Utiliser un tournevis pour ajuster les vis de nivellement. Tourner la vis de nivellement vers la droite pour soulever ce côté du réfrigérateur/congélateur convertible ou tourner la vis de nivellement vers la gauche pour abaisser ce côté. Plusieurs tours des vis de nivellement peuvent être nécessaires pour régler l'inclinaison du réfrigérateur/congélateur convertible.

REMARQUE : Si une autre personne pousse le haut du réfrigérateur/congélateur convertible, le poids devient moins lourd sur les vis de nivellement et les roulettes, ce qui rend plus facile l'ajustement des vis.



3. Ouvrir les deux portes de nouveau et s'assurer qu'elles se ferment aussi facilement que vous le désirez. Sinon, incliner le réfrigérateur/congélateur convertible un peu plus vers l'arrière en tournant les deux vis de nivellement vers la droite. Plusieurs tours peuvent être nécessaires et vous devez tourner les deux vis de nivellement d'un espace égal.
4. Réinstaller la grille de la base.

Alignement des portes

Si l'espace entre les portes semble inégal, on peut faire le réglage en suivant les instructions ci-dessous :

1. Soulever et enlever le couvercle de la charnière supérieure.
2. Dégager les vis de la charnière supérieure en utilisant une douille de $\frac{5}{16}$ " ou une clé.
3. Demander à une personne de tenir la porte en place ou placer un espaceur entre les portes pendant que vous serrez les vis de la charnière supérieure.
4. Réinstaller le couvercle sur la charnière.

Installation des roulettes

⚠ AVERTISSEMENT

Risque du poids excessif

Utiliser deux ou plus de personnes pour déplacer et installer le réfrigérateur/congélateur convertible.

Le non-respect de cette instruction peut causer une blessure au dos ou d'autre blessure.

Rassembler les outils et pièces nécessaires avant de commencer l'installation.

OUTILS NÉCESSAIRES :

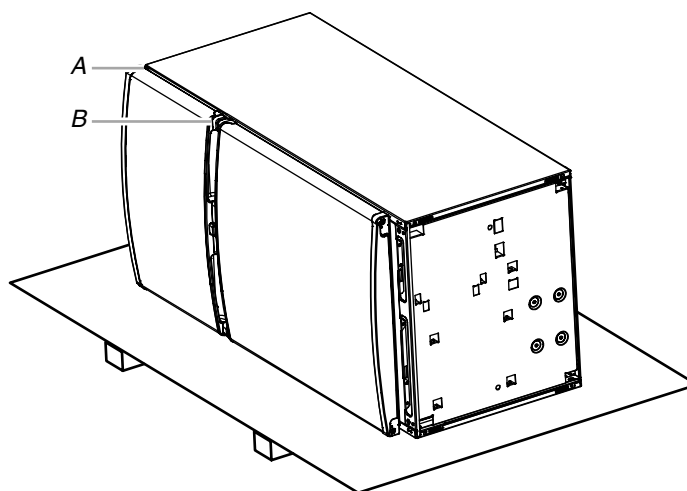
- Tourne-écrou ou clé à douille de $\frac{1}{2}$ "
- Tourne-écrou ou clé à douille de $\frac{3}{8}$ "
- Clé de $\frac{1}{2}$ "

PIÈCES FOURNIES :

- Roulettes non orientables (2)
- Roulettes pivotantes (2)
- Écrous hexagonaux indesserrables $\frac{5}{16}$ —18 (16)
- Vis à tête hexagonale $\frac{3}{16}$ —18 x $\frac{7}{8}$ " (16)
- Rondelles-freins $\frac{1}{4}$ —20 x $1\frac{1}{4}$ " (4)
- Boulons à tête hexagonale autotaraudants $\frac{1}{4}$ —20 x $1\frac{1}{4}$ " (4)
- Brides de roulette (dans le sachet de pièces) (2)
- Barres d'appui de plastique (expédiées avec le réfrigérateur/congélateur convertible)

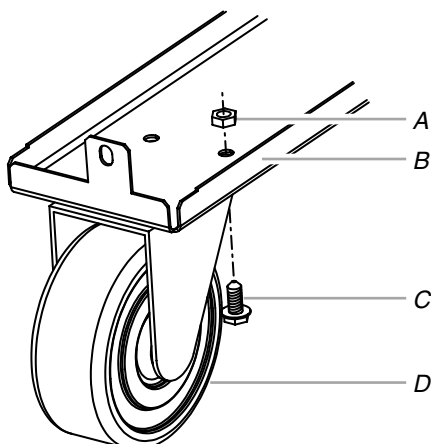
1. Avant d'entreprendre l'installation, placer la commande du compartiment inférieur à la position d'arrêt.
 2. Débrancher le réfrigérateur/congélateur convertible ou déconnecter la source de courant électrique.
 3. Retirer du réfrigérateur/congélateur convertible tous les aliments et les étagères et bacs qui s'y trouvent.
 4. Ouvrir la porte du compartiment inférieur et retirer la grille de la base : saisir la grille avec les deux mains, soulever et tirer le bas de la grille vers l'avant.
 5. Placer les barres d'appui de plastique (expédiées avec le réfrigérateur/congélateur convertible) sur le sol (espacement d'au moins 3 pi (91,44 cm)). Placer par-dessus les barres d'appui une feuille de carton ou autre matériau protecteur; le réfrigérateur/congélateur convertible sera ainsi plus haut, ce qui facilitera l'installation des roulettes et le protégera contre les éraflures.
- REMARQUE :** Si les barres d'appui ont été jetées ou ne sont pas disponibles, on peut utiliser des planches de 2" x 4".
6. Placer le réfrigérateur/congélateur convertible en appui sur son côté, par-dessus la feuille de carton ou autre matériau de protection. Veiller à ce que la charnière de porte soit orientée vers le haut.

IMPORTANT : Il est important que la charnière de porte soit orientée vers le haut durant tout le processus d'installation des roulettes.



A. Charnière supérieure
B. Charnière centrale

7. Retirer de la boîte les roulettes et les organes de fixation.
8. Retirer du sachet de pièces les brides de roulette.
9. Utiliser des vis à tête hexagonale $\frac{5}{16}$ —18 x $\frac{7}{8}$ " pour fixer une roulette non orientable et une roulette pivotante sur chaque bride de roulette. La roulette non orientable doit être placée à l'avant de la bride, et la roulette pivotante doit être placée à l'arrière.
10. Insérer les vis par le dessous et visser les écrous sur les vis de fixation de chaque roulette.



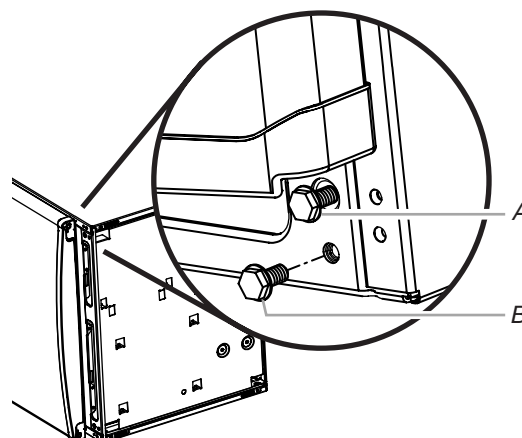
A. Écrou indesserrable C. Vis à tête hexagonale $\frac{5}{16}$ —18 x $\frac{7}{8}$ "
B. Bride de roulette D. Roulette

11. Pour le serrage final des écrous indesserrables avec une clé à douille, immobiliser les vis à tête hexagonale avec une clé.

12. À l'aide d'une clé à douille de $\frac{1}{2}$ ", enlever les quatre vis (deux de chaque côté) à l'avant et à l'arrière du réfrigérateur/congélateur convertible (partie inférieure).

REMARQUE : Ne pas enlever la vis de nivellement.

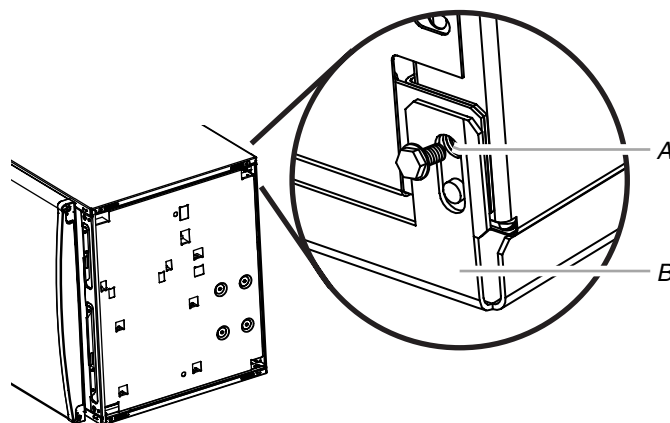
Angle inférieur/avant



A. Vis de réglage de nivellement (ne pas enlever)
B. Vis

13. Positionner la bride de roulette pour que la fente à l'arrière soit alignée avec le trou à l'arrière du réfrigérateur/congélateur convertible. Aligner le trou de l'avant de la bride de roulette avec le trou de l'avant du réfrigérateur/congélateur convertible.

Angle inférieur/arrière

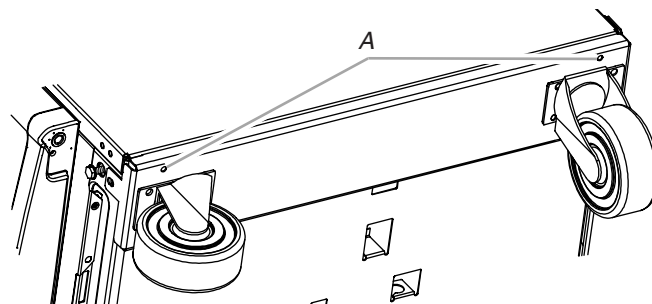


A. Trou arrière de l'unité
B. Bride de roulette

14. Maintenir la bride en place, et insérer les vis dans les trous avant et arrière; visser et serrer les vis.

REMARQUE : Ne pas serrer excessivement.

15. Dans les deux trous sur le côté de la bride de roulette, insérer deux boulons à tête hexagonale autotaraudants $\frac{1}{4}$ —20 x $1\frac{1}{4}$ " munis de leur rondelle-frein. Pousser la bride de roulette contre le fond du réfrigérateur/congélateur convertible, et serrer les vis avec une clé à douille de $\frac{3}{8}$ ".

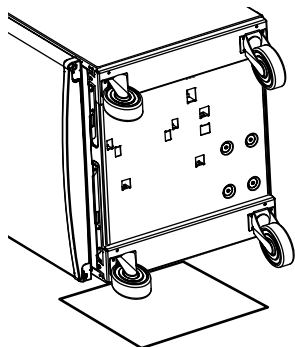


A. Trous pour bride de roulette

16. Répéter les étapes 12 à 15 pour la seconde bride de roulette.

Achever l'assemblage

1. Bloquer les roulettes avant.
2. Insérer un petit morceau de carton entre le frein de roulette et le sol; ceci empêchera le frein de frotter sur le sol.



3. Remettre le réfrigérateur/congélateur convertible à la position verticale.
4. Réinstaller la grille de la base : insérer les agrafes métalliques dans les ouvertures du panneau métallique, et faire pivoter la grille vers le bas jusqu'à l'emboîtement.
5. Débloquer les roulettes et pousser le réfrigérateur/congélateur convertible jusqu'à sa position de service.
6. Après avoir positionné le réfrigérateur/congélateur convertible, bloquer de nouveau les roulettes.
7. Brancher le réfrigérateur/congélateur convertible ou reconnecter la source de courant électrique.

Sons normaux

Il est possible que votre nouveau réfrigérateur/congélateur convertible émette des sons que l'appareil précédent ne produisait pas. Comme ces sons sont nouveaux, ils peuvent vous inquiéter. La plupart de ces nouveaux sons sont normaux. Les sons peuvent vous sembler plus forts avec des surfaces dures comme le sol, les murs et les armoires. Les descriptions suivantes indiquent les genres de sons et leur cause possible.

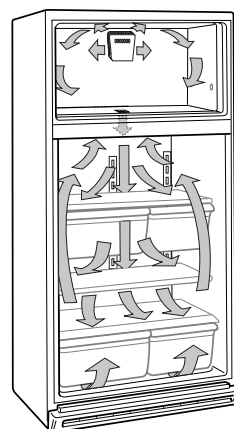
- Votre réfrigérateur/congélateur convertible est conçu pour fonctionner de manière efficace afin de conserver vos aliments aux températures désirées et de minimiser la consommation d'énergie. Le compresseur et les ventilateurs à haute efficacité peuvent faire fonctionner votre réfrigérateur/congélateur convertible plus longtemps que l'ancien. Il se peut également que vous entendiez un son saccadé ou aigu lorsque le compresseur ou les ventilateurs s'ajustent pour optimiser la performance.
- Votre réfrigérateur/congélateur convertible fera plus de bruit que les réfrigérateurs ordinaires. Ceci est dû à la vitesse élevée du ventilateur. Cette vitesse sert à maintenir un fonctionnement correct du réfrigérateur/congélateur convertible dans la plupart des garages, un environnement plus rude.
- Il se peut que vous entendiez un grésillement après avoir fermé la porte du compartiment inférieur. Ceci est dû à la température plus basse du compartiment inférieur et au joint plus fort sur la porte.
- Il se peut que vous entendiez le moteur du ventilateur d'évaporation faire circuler de l'air dans les compartiments supérieur et inférieur. La vitesse du ventilateur peut augmenter si les portes sont ouvertes ou si vous ajoutez des aliments chauds.
- Des vibrations sonores peuvent provenir de l'écoulement du réfrigérant ou d'articles placés sur le réfrigérateur/congélateur convertible.
- De l'eau qui goutte sur le chauffage de décongélation lors d'un programme de décongélation peut entraîner un grésillement.
- À la fin de chaque programme, il se peut que vous entendiez un gargouillement attribuable au réfrigérant qui circule dans votre réfrigérateur/congélateur convertible.
- La contraction et l'expansion des parois internes peuvent produire un son sec.

- Vous pouvez entendre de l'air qui est transmis au condenseur par le ventilateur du condenseur.
- Vous pouvez entendre l'écoulement de l'eau dans le plat de récupération d'eau de dégivrage pendant le programme de dégivrage.

UTILISATION DU RÉFRIGÉRATEUR/CONGÉLATEUR CONVERTIBLE

Pour assurer une circulation d'air correcte

Pour s'assurer d'avoir la température appropriée, il faut permettre à l'air de circuler entre les sections inférieure et supérieure. Tel qu'illustré, la plus grande partie de l'air froid entre dans le compartiment inférieur par les ouvertures d'aération derrière la boîte de commande inférieure, passe dans la section inférieure et repasse par l'ouverture en haut du compartiment inférieur. Le reste de l'air froid entre dans le compartiment supérieur par l'ouverture d'aération de la boîte de commande supérieure, puis passe dans la section supérieure et repasse par la paroi arrière.



Ne pas obstruer l'une ou l'autre de ces ouvertures d'aération avec des aliments emballés. Si les ouvertures d'aération sont bloquées, le courant d'air sera coupé et des problèmes de température et d'humidité peuvent survenir.

IMPORTANT : Comme l'air circule entre les deux sections, toutes les odeurs formées dans une section seront transférées à l'autre. Vous devez nettoyer à fond les deux sections pour éliminer les odeurs. Pour empêcher le transfert d'odeurs et l'assèchement des aliments, envelopper ou recouvrir hermétiquement les aliments.

Utilisation des commandes

Pour votre commodité, les commandes du réfrigérateur/congélateur convertible sont préréglées à l'usine. Le compartiment supérieur est réglé au mode réfrigération, et les commandes du compartiment inférieur sont réglées au réglage moyen. Lors de l'installation initiale du réfrigérateur/congélateur convertible, s'assurer que les commandes sont encore préréglées au réglage d'usine.

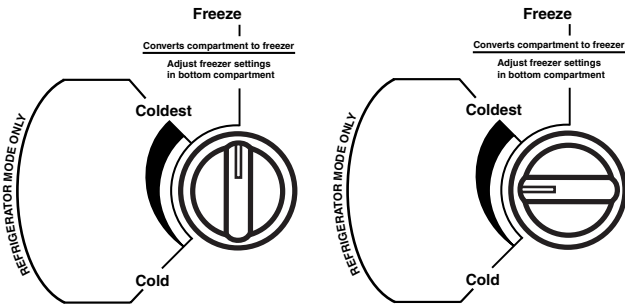
Commande du compartiment supérieur

Le compartiment supérieur de votre réfrigérateur/congélateur convertible peut fonctionner comme réfrigérateur ou congélateur. La commande du compartiment supérieur vous permet de passer du mode Réfrigérateur au mode Congélation. S'assurer que le mode sélectionné est conforme à vos besoins de remisage.

Votre réfrigérateur/congélateur convertible est conçu pour utilisation dans le garage. Si le compartiment supérieur est réglé à Congélation, votre réglage habituel pour le compartiment inférieur devrait être adéquat pour la plupart des conditions estivales ou hivernales. En cas de conditions estivales ou hivernales extrêmes, il faudra peut-être faire de petits ajustements de la commande du compartiment supérieur pour maintenir la température désirée dans le compartiment supérieur.

Pour faire passer le compartiment supérieur au mode Congélation :

- Tourner la commande complètement sur FREEZE (congélation).

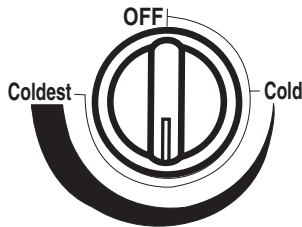


IMPORTANT : Si la commande est réglée entre FREEZE (congélation) et COLDEST (le plus froid), le compartiment supérieur ne fonctionnera peut-être pas au mode désiré. La commande devrait être réglée complètement à FREEZE pour une bonne congélation ou dans la plage entre COLD (froid) et COLDEST pour une bonne réfrigération.

Commande du compartiment inférieur

Le compartiment inférieur fonctionne en permanence comme un congélateur. La commande du compartiment inférieur contrôle la température de ce compartiment et celle du compartiment supérieur quand celui-ci est en mode congélation.

REMARQUE : Pour éteindre le réfrigérateur/congélateur convertible, tourner la commande du compartiment inférieur sur OFF et celle du compartiment supérieur sur FREEZE (congélation). Votre réfrigérateur/congélateur convertible ne se refroidira pas si la commande du compartiment inférieur est sur OFF (arrêt).



IMPORTANT :

- Lorsque le compartiment supérieur est en mode Réfrigérateur, la température est contrôlée par la commande supérieure. En mode Congélation, la température est contrôlée par la commande du compartiment inférieur.
- Donner au réfrigérateur/congélateur convertible le temps de refroidir complètement avant d'y ajouter des aliments. Il vaut mieux attendre 24 heures avant de mettre des aliments dans le réfrigérateur/congélateur convertible.
- Si on ajoute des aliments avant que le réfrigérateur/congélateur convertible ne soit complètement refroidi, les aliments risquent de s'abîmer. Tourner les commandes des compartiments inférieur et supérieur à un réglage plus froid que celui qui est recommandé ne refroidira pas les compartiments plus rapidement.

Ajustement des commandes

Les réglages indiqués à la section précédente devraient être corrects pour une utilisation domestique normale. Les réglages sont faits correctement lorsque le lait ou le jus est aussi froid que vous l'aimez et lorsque la crème glacée est ferme.

Si la température est trop tiède ou trop froide dans le compartiment inférieur ou le compartiment supérieur, vérifier d'abord les ouvertures d'aération pour vous assurer qu'elles ne sont pas bloquées.

S'il est nécessaire d'ajuster les températures, utiliser les réglages indiqués au tableau ci-dessous comme guide. Attendre au moins 24 heures entre les ajustements, puis vérifier les températures.

CONDITION/RAISON :

AJUSTEMENT :

Section du COMPARTIMENT INFÉRIEUR trop tiède

- Porte fréquemment ouverte, grande quantité d'aliments ajoutée ou température ambiante très chaude

Ajuster la commande du COMPARTIMENT INFÉRIEUR au réglage le plus froid.

Section du COMPARTIMENT SUPÉRIEUR trop tiède

- Porte fréquemment ouverte, grande quantité d'aliments ajoutée ou température ambiante très froide (programme en fonctionnement trop peu fréquent)

En mode Réfrigérateur, ajuster la commande du COMPARTIMENT SUPÉRIEUR à un réglage plus froid.

En mode Congélation, ajuster la commande du COMPARTIMENT INFÉRIEUR au réglage le plus froid.

Section du COMPARTIMENT INFÉRIEUR trop froide

- Réglages incorrects pour les conditions existantes

Ajuster la commande du COMPARTIMENT INFÉRIEUR à un réglage moins froid.

Section du COMPARTIMENT SUPÉRIEUR trop froide

- Réglages incorrects pour les conditions existantes

En mode Réfrigérateur, ajuster la commande du COMPARTIMENT SUPÉRIEUR à un réglage moins froid.

En mode Congélation, ajuster la commande du COMPARTIMENT INFÉRIEUR à un réglage moins froid.

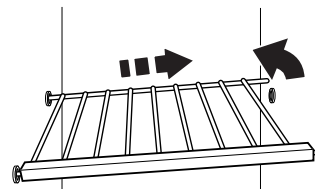
CARACTÉRISTIQUES DU COMPARTIMENT SUPÉRIEUR

Tablette du compartiment supérieur

Pour enlever et réinstaller la tablette :

1. Enlever la tablette en la soulevant légèrement et en la déplaçant entièrement sur le côté gauche. Incliner le côté droit vers le haut et la sortir des supports de tablette.
2. Réinstaller la tablette en insérant l'extrémité gauche complètement dans les supports de tablette. Puis abaisser l'extrémité droite de la tablette et l'insérer dans les supports.

REMARQUE : La tablette doit s'abaisser légèrement et se verrouiller en place. Si la tablette ne semble pas stable, s'assurer que les deux extrémités sont insérées dans les supports.



Fond du compartiment supérieur

Pour enlever et réinstaller le fond du compartiment inférieur :

1. Enlever tous les articles du fond du compartiment.
2. Enlever le fond en soulevant l'avant et en le tirant vers soi.
3. Réinstaller le fond en insérant les deux onglets arrière dans les trous à l'arrière du compartiment inférieur. Baisser le fond sur le revêtement du compartiment inférieur.

CARACTÉRISTIQUES DU COMPARTIMENT INFÉRIEUR

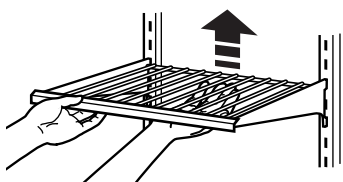
Tablettes

Pour une flexibilité de rangement, les tablettes de votre réfrigérateur/congélateur convertible sont réglables. Ajuster les tablettes pour convenir aux différentes hauteurs et remettre les aliments semblables ensemble. Ceci diminue la durée d'ouverture de la porte et fait économiser de l'énergie.

Tablette/cadre demi-largeur

Pour enlever et réinstaller une tablette/un cadre :

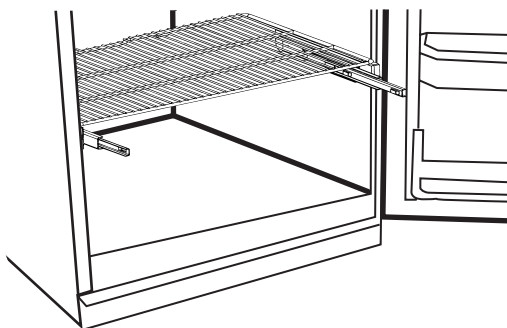
1. Enlever la tablette/le cadre en l'inclinant vers le haut à l'avant et en la/le retirant des supports de tablette.
2. Réinstaller la tablette/le cadre en guidant les crochets situés à l'arrière de la tablette dans les supports de tablette. Incliner le devant de la tablette vers le haut jusqu'à ce que les crochets arrière de la tablette se placent dans les supports. Vérifier que la tablette est bien fixée en position.



Tablette pleine largeur

Pour enlever et réinstaller la tablette :

1. Retirer tous les articles de la tablette. Enlever la tablette en soulevant l'avant pour tirer le tout vers l'avant.
2. Réinstaller la tablette en soulevant l'avant tout en faisant glisser la tablette vers l'arrière jusqu'à ce qu'elle se bloque en place.



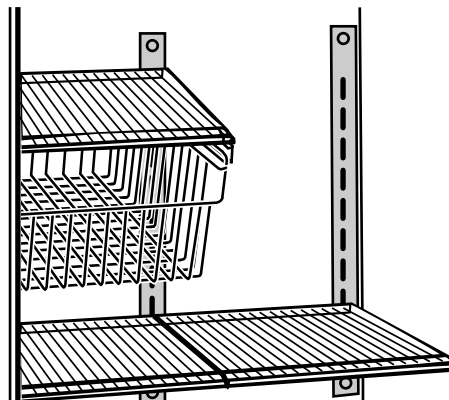
Paniers

Panier métallique demi-largeur

Pour enlever et réinstaller le panier :

1. Retirer tous les articles du panier. Enlever le panier en soulevant l'avant hors des glissières, puis en sortant le panier hors de la cavité.

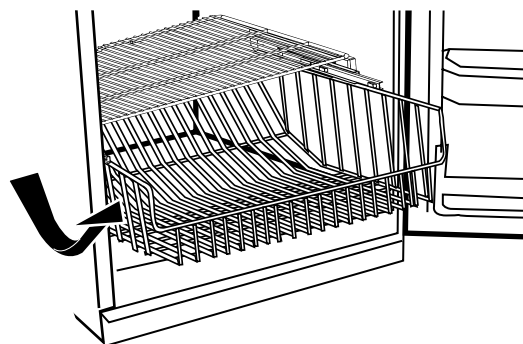
2. Réinstaller le panier métallique en l'abaissant dans les glissières, puis en le poussant vers l'arrière jusqu'à ce qu'il soit sous la tablette.



Panier métallique pleine largeur

Pour enlever et réinstaller le panier :

1. Retirer tous les articles du panier. Retirer le panier en soulevant l'avant des coulisses à billes, puis en retirant le panier.
2. Réinstaller le panier métallique en déployant les coulisses à billes, puis en abaissant les onglets des côtés du panier métallique dans les coulisses. Pousser le panier vers l'arrière jusqu'à ce qu'il soit sous la tablette.



Guide de stockage des aliments surgelés

Les périodes de conservation varieront selon la qualité et le type des aliments, le type d'emballage et de pellicule utilisés (hermétiques et résistant à l'humidité) et la température de stockage. Bien fermer le sachet ou le récipient pour empêcher le transfert de goût et d'odeur dans le produit. La présence de cristaux de glace à l'intérieur d'un emballage scellé est normale.

Ne pas placer plus d'aliments non congelés dans le congélateur que la quantité qui congèlera dans l'intervalle de 24 heures (pas plus de 2 à 3 lb [907 à 1 350 g par 28 L] d'aliments par pied cube d'espace dans le congélateur). Laisser assez d'espace dans le congélateur pour permettre la circulation d'air entre les emballages. S'assurer que la porte du congélateur est bien fermée. Pour plus de renseignements au sujet de la préparation des aliments pour la congélation, consulter un guide pour congélateur ou un livre de recettes fiable.

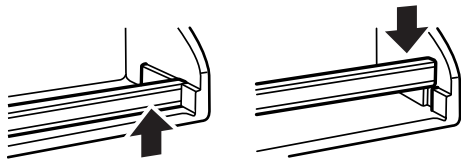
CARACTÉRISTIQUES DE LA PORTE

Tringles dans la porte

Les tringles dans la porte peuvent être enlevées pour faciliter le nettoyage.

Pour retirer et réinstaller les tringles :

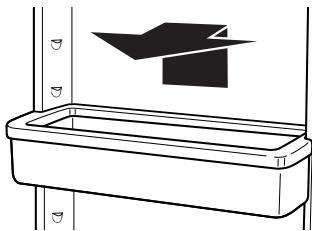
1. Retirer les tringles en les soulevant à partir de chaque extrémité de la tringle.
2. Réinstaller les tringles en faisant glisser la tringle de la tablette dans les fentes sur la porte et en poussant la tringle jusqu'à l'arrêt.



Balconnets dans la porte

Pour retirer et réinstaller les balconnets :

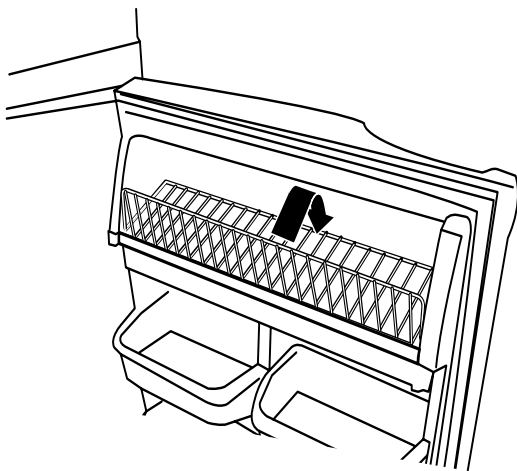
1. Retirer le balconnet en le soulevant et en le tirant directement vers soi.
2. Réinstaller le balconnet en le faisant glisser en place au-dessus du support désiré et en le poussant jusqu'à ce qu'il s'arrête.



Tablette métallique de porte

Pour enlever et réinstaller la tablette :

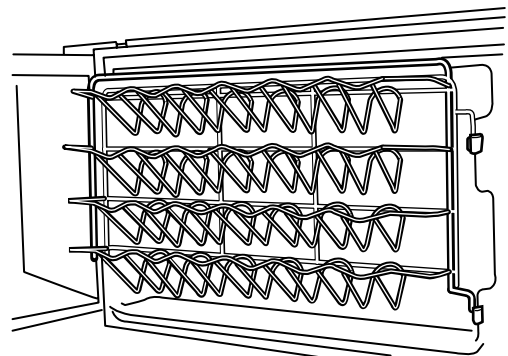
1. Enlever la tablette métallique de porte en la soulevant pour la retirer de la tringle de porte.
2. Réinstaller la tablette en la faisant glisser dans l'arrière de la tringle de porte et en l'enclenchant en place.



Porte-cannettes

Pour enlever et réinstaller le porte-cannettes :

1. Retirer le porte-cannettes en le soulevant et en le tirant directement vers soi.
2. Réinstaller le porte-cannettes en le faisant glisser au-dessus des supports et en le poussant jusqu'à ce qu'il s'arrête.



ENTRETIEN DU RÉFRIGÉRATEUR/ CONGÉLATEUR CONVERTIBLE

Nettoyage

AVERTISSEMENT



Risque d'explosion

Utiliser un produit de nettoyage ininflammable.

Le non-respect de cette instruction peut causer un décès, une explosion ou un incendie.

Les sections de compartiment inférieur et de compartiment supérieur se dégivrent automatiquement. Toutefois, nettoyer les deux sections au moins une fois par mois pour empêcher une accumulation d'odeurs. Essuyer les renversements immédiatement.

Nettoyage du réfrigérateur/congélateur convertible :

1. Débrancher le réfrigérateur/congélateur convertible ou déconnecter la source de courant électrique.
2. Retirer toutes les pièces amovibles de l'intérieur, telles que les tablettes, bacs, etc.
3. Laver à la main, rincer et sécher les pièces amovibles et les surfaces internes à fond. Utiliser une éponge propre ou un linge doux et un détergent doux dans de l'eau tiède.
 - Ne pas utiliser des nettoyeurs abrasifs tels que les nettoyeurs à vitre en atomiseurs, nettoyeurs à récurer, liquides inflammables, cires nettoyantes, détergents concentrés, eaux de Javel ou nettoyeurs contenant du pétrole sur les pièces en plastique, les garnitures intérieures et de portes ou les joints. Ne pas utiliser d'essuie-tout, tampons à récurer ou autres outils de nettoyage abrasifs. Ces produits risquent d'égratigner ou d'endommager les matériaux.
 - Pour aider à éliminer les odeurs, on peut laver les parois intérieures avec un mélange d'eau tiède et de bicarbonate de soude (2 c. à soupe pour 1 pinte [26 g pour 0,95 L] d'eau).

Entretien avant les vacances ou lors d'un déménagement

Vacances

Si vous choisissez de laisser le réfrigérateur/congélateur convertible en fonctionnement pendant votre absence :

1. Consommer tous les aliments périssables et congeler les autres.

Si vous choisissez d'arrêter le fonctionnement du réfrigérateur/congélateur convertible avant votre départ :

1. Enlever tous les aliments du réfrigérateur/congélateur convertible.
2. Tourner la commande du compartiment inférieur à OFF (arrêt). Tourner la commande du compartiment supérieur à FREEZE (congélation). Voir "Utilisation des commandes".
3. Laver à la main, rincer et sécher complètement les pièces amovibles et les surfaces internes.
4. À l'aide d'un ruban adhésif, placer des blocs de caoutchouc ou de bois dans la partie supérieure de chaque porte de façon à ce qu'elles soient suffisamment ouvertes pour permettre l'entrée de l'air à l'intérieur, afin d'éviter l'accumulation d'odeur ou de moisissure.

Déménagement

Lorsque vous déménagez votre réfrigérateur/congélateur convertible à une nouvelle habitation, suivre ces étapes pour préparer le déménagement.

1. Retirer tous les aliments du réfrigérateur/congélateur convertible et placer tous les aliments congelés dans de la neige carbonique.
2. Tourner la commande du compartiment inférieur à OFF (arrêt). Tourner la commande du compartiment supérieur à FREEZE (congélation). Voir "Utilisation des commandes".
3. Débrancher le réfrigérateur/congélateur convertible.
4. Vider l'eau du plat de dégivrage. Laver à la main, rincer et sécher complètement.
5. Laver à la main, rincer et sécher complètement les pièces amovibles et les surfaces internes.
6. Retirer toutes les pièces amovibles, bien les envelopper et les attacher ensemble avec du ruban adhésif pour qu'elles ne bougent pas ni ne s'entrechoquent durant le déménagement.
7. Déverrouiller les roulettes pour que le réfrigérateur/congélateur convertible roule facilement.
8. Si vous n'avez pas installé les roulettes, soulever l'avant du réfrigérateur/congélateur convertible pour qu'il roule plus facilement. Voir "Ajustement des portes".
9. Fermer les portes à l'aide de ruban adhésif et fixer le cordon d'alimentation à la caisse du réfrigérateur/congélateur convertible.

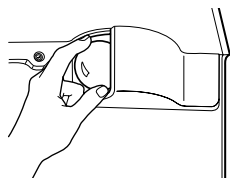
Lorsque vous arriverez à votre nouvelle habitation, remettre tout en place et consulter la section "Instructions d'installation" pour les instructions de préparation.

4. Laver les surfaces extérieures avec une éponge propre ou un linge doux et un détergent doux dans de l'eau tiède. Ne pas utiliser de nettoyant fort ou abrasif, ni de nettoyant conçu pour l'acier inoxydable. Sécher à fond avec un linge doux. Pour mieux protéger les surfaces métalliques extérieures peintes contre les dommages, appliquer une cire pour appareil électroménager (ou cire en pâte pour automobiles) avec un linge propre et doux. Ne pas cirer les pièces en plastique.
5. Le condenseur n'a pas besoin d'être nettoyé souvent dans des conditions de fonctionnement normales. Si l'environnement est particulièrement gras, poussiéreux, ou s'il y a des animaux domestiques dans la maison, le condenseur devrait être nettoyé tous les 2 ou 3 mois pour assurer une efficacité maximum.
Si vous avez besoin de nettoyer le condenseur :
 - Retirer la grille de la base. Voir "Portes du réfrigérateur/congélateur convertible".
 - Utiliser un aspirateur à brosse souple pour nettoyer la grille, les endroits ouverts derrière la grille et la surface à l'avant du condenseur.
 - Replacer la grille de la base une fois cette action terminée.
6. Brancher le réfrigérateur/congélateur convertible ou reconnecter la source de courant électrique.

Remplacement des ampoules d'éclairage

REMARQUE : Toutes les ampoules ne s'adaptent pas forcément à votre réfrigérateur/congélateur convertible. S'assurer de remplacer l'ampoule par une ampoule pour appareils ménagers de taille, de forme et de puissance semblables.

1. Débrancher le réfrigérateur/congélateur convertible ou déconnecter la source de courant électrique.
2. Saisir l'ampoule située derrière le tableau de commande dans le compartiment inférieur ou derrière le protège-ampoule dans le compartiment supérieur (sur certains modèles). Remplacer l'ampoule par une ampoule de même puissance.
3. Brancher le réfrigérateur/congélateur convertible ou reconnecter la source de courant électrique.



Pannes de courant

Si le courant électrique doit être interrompu pendant 24 heures ou moins, garder les portes des deux compartiments fermées pour aider les aliments à demeurer froids et congelés.

Si le service doit être interrompu pendant plus de 24 heures, faire l'une des choses suivantes :

- Retirer tous les aliments congelés et les entreposer dans un casier frigorifique.
- Placer 2 lb (907 g) de neige carbonique dans le réfrigérateur/congélateur convertible pour chaque pied cube (28 L) d'espace de congélation. Ceci permettra de garder les aliments congelés durant deux à quatre jours.
- S'il n'y a pas de casier frigorifique ni de neige carbonique, consommer ou mettre immédiatement en conserve les aliments périssables.

À NOTER : Un congélateur plein restera froid plus longtemps qu'un congélateur partiellement rempli. Un congélateur plein de viande demeure froid plus longtemps qu'un congélateur rempli de produits de boulangerie. Si les aliments contiennent des cristaux de glace, ils peuvent être remis à congeler même si la qualité et la saveur risquent d'être affectées. Si les aliments semblent de piètre qualité, les jeter.

DÉPANNAGE

Essayer les solutions suggérées ici d'abord afin d'éviter le coût d'une visite de service non nécessaire

Votre réfrigérateur/congélateur convertible ne fonctionne pas

⚠ AVERTISSEMENT



Risque de choc électrique

Brancher sur une prise à 3 alvéoles reliée à la terre.

Ne pas enlever la broche de liaison à la terre.

Ne pas utiliser un adaptateur.

Ne pas utiliser un câble de rallonge.

Le non-respect de ces instructions peut causer un décès, un incendie ou un choc électrique.

- **Est-ce que le cordon d'alimentation est débranché?** Brancher sur une prise à trois alvéoles reliée à la terre.
- **Un fusible est-il grillé ou un disjoncteur s'est-il ouvert?** Remplacer le fusible ou réenclencher le disjoncteur.
- **La commande du compartiment inférieur est-elle réglée à la position OFF (arrêt)?** Voir "Utilisation des commandes".
- **Le réfrigérateur/congélateur convertible est-il en train de se dégivrer?** Vérifier de nouveau dans 30 minutes pour voir si le réfrigérateur/congélateur convertible fonctionne. Votre réfrigérateur/congélateur convertible fera fonctionner un programme de dégivrage automatique.

Les lumières ne fonctionnent pas

- **Est-ce que le cordon d'alimentation est débranché?** Brancher sur une prise à trois alvéoles reliée à la terre.
- **Une ampoule est-elle desserrée dans la douille ou grillée?** Voir "Remplacement des ampoules d'éclairage".

Il y a de l'eau dans le bac de dégivrage

- **Le réfrigérateur/congélateur convertible est-il en train de se dégivrer?** L'eau s'évaporera. C'est normal que l'eau dégoutte dans le bac de dégivrage.
- **Y-a-t-il plus d'humidité que d'habitude?** Lorsqu'il fait humide, prévoir que l'eau dans le bac de dégivrage prend plus de temps à s'évaporer.

Le moteur semble tourner trop

- **La température ambiante est-elle plus élevée que d'habitude?** Le moteur fonctionnera plus longtemps dans des conditions de chaleur. À la température ambiante normale, le moteur fonctionnera à peu près 40 % à 80 % du temps. Dans des conditions de chaleur, il fonctionnera encore plus longtemps.
- **Vient-on d'ajouter une grande quantité d'aliments au réfrigérateur/congélateur convertible?** Ajouter une grande quantité d'aliments fait réchauffer le réfrigérateur/congélateur convertible. Le moteur fonctionnera normalement plus longtemps pour refroidir le réfrigérateur/congélateur convertible.
- **Les portes sont-elles ouvertes fréquemment?** Le moteur fonctionnera plus longtemps dans ce cas. Conserver de l'énergie en sortant tous les articles en une seule fois, en rangeant les aliments de façon organisée et en fermant la porte le plus vite possible.
- **Le réglage est-il correct pour les conditions existantes?** Voir "Utilisation des commandes".
- **Les portes sont-elles fermées complètement?** Bien fermer les portes. Si elles ne ferment pas complètement, voir "Les portes ne ferment pas bien" plus loin dans cette section.
- **Les serpentins du condenseur sont-ils sales?** Cette situation empêche le transfert de l'air et fait travailler davantage le moteur. Nettoyer les serpentins du condenseur. Voir "Nettoyage".

REMARQUE : Votre nouveau réfrigérateur/congélateur convertible fonctionnera plus longtemps que l'ancien grâce à son moteur à haute efficacité.

Le réfrigérateur/congélateur convertible semble faire trop de bruit

- **Les sons peuvent être normaux pour votre réfrigérateur/congélateur convertible.** Voir "Sons normaux".

Le revêtement avant du compartiment supérieur est tiède

La température tiède est probablement attribuable à un fonctionnement normal du réglage automatique de l'humidité de l'extérieur. De plus, le réfrigérateur/congélateur convertible est équipé d'un chauffage afin de maintenir le fonctionnement correct du réfrigérateur/congélateur convertible lorsque la température ambiante baisse trop.

La température est trop élevée

- **Les ouvertures d'aération sont-elles bloquées dans un compartiment ou l'autre?** Ceci empêche l'air froid de circuler entre les compartiments. Éloigner les objets des ouvertures d'évacuation. Voir "Pour assurer une circulation d'air correcte" pour savoir où se trouvent les ouvertures d'aération.
- **La ou les porte(s) sont-elles ouvertes fréquemment?** Le réfrigérateur/congélateur convertible se réchauffera dans ce cas. Garder le réfrigérateur/congélateur convertible froid en sortant tous les articles en une seule fois, en rangeant les aliments de façon organisée et en fermant la porte le plus vite possible.
- **Avez-vous ajouté une grande quantité d'aliments au réfrigérateur/congélateur convertible?** Ajouter une grande quantité d'aliments fait réchauffer le réfrigérateur/congélateur convertible. Plusieurs heures peuvent être nécessaires pour que le réfrigérateur/congélateur convertible revienne à la température normale.
- **Les réglages sont-ils corrects pour les conditions existantes?** Voir "Utilisation des commandes".

Il y a une accumulation d'humidité à l'intérieur

- **Les ouvertures d'aération sont-elles bloquées dans le réfrigérateur/congélateur convertible?** Enlever tous les objets en avant des ouvertures d'aération. Voir "Pour assurer une circulation d'air correcte" pour savoir où se trouvent les ouvertures d'aération.
- **La ou les porte(s) sont-elles ouvertes fréquemment?** Éviter l'accumulation d'humidité en sortant tous les articles en une seule fois, en rangeant les aliments de façon organisée et en fermant la porte le plus vite possible.
- **La pièce est-elle humide?** Il est normal que de l'humidité s'accumule à l'intérieur du réfrigérateur/congélateur convertible lorsque l'air dans la pièce est humide.
- **Les aliments sont-ils bien emballés?** Vérifier que tous les aliments sont bien emballés. Essuyer les contenants humides d'aliments avant de les placer dans le réfrigérateur/congélateur convertible.
- **Le réglage est-il correct pour les conditions existantes?** Voir "Utilisation des commandes".
- **Le programme d'auto-dégivrage vient-il de se terminer?** Il est normal que des gouttelettes se forment après le programme d'auto-dégivrage du réfrigérateur/congélateur convertible.

Les portes sont difficiles à ouvrir

AVERTISSEMENT



Risque d'explosion

Utiliser un produit de nettoyage ininflammable.

Le non-respect de cette instruction peut causer un décès, une explosion ou un incendie.

- **Les joints collent-ils ou sont-ils sales?** Nettoyer les joints et la surface qu'ils touchent. Frotter une fine couche de paraffine sur les joints après le nettoyage.
- **Avez-vous ouvert la porte du réfrigérateur/congélateur convertible récemment?** Attendre au moins 10 secondes après avoir fermé la porte du réfrigérateur/congélateur convertible avant d'essayer d'ouvrir le compartiment supérieur.

Les portes ne ferment pas complètement

- **Les aliments emballés empêchent-ils la porte de fermer?** Réarranger les récipients pour gagner de l'espace.
- **Les couvercles des bacs, les plats, les tablettes, les bacs ou les paniers sont-ils en bonne position?** Mettre ces articles en bonne position. Voir "Caractéristiques du compartiment inférieur" pour plus de renseignements.
- **Le réfrigérateur/congélateur convertible branle-t-il ou semble-t-il instable?** Nivelier le réfrigérateur/congélateur convertible. Voir "Ajustement des portes".
- **Les portes ont-elles été enlevées durant l'installation de l'appareil et mal réinstallées?** Enlever et remettre les portes en place en lisant la section "Portes du réfrigérateur/congélateur convertible", ou appeler un technicien de service qualifié.

ASSISTANCE OU SERVICE

Avant de faire un appel pour assistance ou service, veuillez vérifier "Dépannage". Cette vérification peut vous faire économiser le coût d'une visite de service. Si vous avez encore besoin d'aide, suivre les instructions ci-dessous.

Lors d'un appel, veuillez connaître la date d'achat et les numéros au complet de modèle et de série de votre appareil. Ces renseignements nous aideront à mieux répondre à votre demande.

Si vous avez besoin de pièces de rechange

Si vous avez besoin de commander des pièces de rechange, nous vous recommandons d'utiliser des pièces de rechange spécifiées par l'usine. Les pièces de rechange spécifiées par l'usine fonctionneront bien parce qu'elles sont fabriquées avec la même précision utilisée pour fabriquer chaque nouvel appareil Gladiator® GarageWorks.

Pour localiser des pièces de rechange spécifiées par l'usine dans votre région, nous appeler ou téléphoner au centre de service désigné le plus proche.

Pour assistance, installation ou service, nous appeler au **1-800-807-6777**.

Nos consultants fournissent de l'assistance pour :

- Caractéristiques et spécifications de notre gamme complète d'appareils ménagers.
- Procédés d'utilisation et d'entretien.
- Vente d'accessoires et de pièces de rechange.
- Les références aux concessionnaires, compagnies de service de réparation et distributeurs de pièces de rechange locaux. Les techniciens de service désignés par Gladiator® GarageWorks sont formés pour remplir la garantie des produits et fournir un service après garantie partout au Canada.

Pour plus d'assistance

Si vous avez besoin de plus d'assistance, vous pouvez écrire à Whirlpool Canada LP en soumettant toute question ou problème à :

Whirlpool Canada LP
Customer Interaction Centre
1901 Minnesota Court
Mississauga, Ontario L5N 3A7

Dans votre correspondance, veuillez indiquer un numéro de téléphone où l'on peut vous joindre dans la journée.

GARANTIE DES GROS APPAREILS MÉNAGERS GLADIATOR® GARAGEWORKS

GARANTIE LIMITÉE DE UN AN

Pendant un an à compter de la date d'achat, lorsque ce gros appareil ménager est utilisé et entretenu conformément aux instructions jointes à ou fournies avec le produit, Whirlpool Corporation ou Whirlpool Canada LP (ci-après désignées "Gladiator® GarageWorks") paiera pour les pièces de rechange FSP® et la main-d'œuvre pour corriger les vices de matériaux ou de fabrication. Le service doit être fourni par une compagnie de service désignée par Whirlpool.

GLADIATOR® GARAGEWORKS NE PRENDRA PAS EN CHARGE

1. Les visites de service pour rectifier l'installation du gros appareil ménager, montrer à l'utilisateur comment utiliser l'appareil, remplacer ou réparer des fusibles ou rectifier le câblage ou la plomberie du domicile.
2. Les visites de service pour réparer ou remplacer les ampoules électriques de l'appareil, les filtres à air ou les filtres à eau. Ces pièces consommables ne sont pas couvertes par la garantie.
3. Les réparations lorsque le gros appareil ménager est utilisé à des fins autres que l'usage unifamilial normal.
4. Les dommages imputables à : accident, modification, usage impropre ou abusif, incendie, inondation, actes de Dieu, installation fautive ou installation non conforme aux codes d'électricité ou de plomberie, ou l'utilisation de produits non approuvés par Gladiator® GarageWorks.
5. Toute perte d'aliments due à une défaillance du réfrigérateur ou du congélateur.
6. Le coût des pièces de rechange et de la main-d'œuvre pour les appareils utilisés hors des États-Unis ou du Canada.
7. Le ramassage et la livraison. Ce gros appareil ménager est conçu pour être réparé à domicile.
8. Les réparations aux pièces ou systèmes résultant d'une modification non autorisée faite à l'appareil.
9. Les frais de transport pour le service d'un produit dans les régions éloignées.
10. La dépose et la réinstallation de votre appareil si celui-ci est installé dans un endroit inaccessible ou n'est pas installé conformément aux instructions d'installation fournies.

CLAUSE D'EXONÉRATION DE RESPONSABILITÉ AU TITRE DES GARANTIES IMPLICITES; LIMITATION DES RECOURS

LE SEUL ET EXCLUSIF RECOURS DU CLIENT DANS LE CADRE DE LA PRÉSENTE GARANTIE LIMITÉE CONSISTE EN LA RÉPARATION PRÉVUE CI-DESSUS. LES GARANTIES IMPLICITES, Y COMPRIS LES GARANTIES APPLICABLES DE QUALITÉ MARCHANDE ET D'APTITUDE À UN USAGE PARTICULIER, SONT LIMITÉES À UN AN OU À LA PLUS COURTE PÉRIODE AUTORISÉE PAR LA LOI. WHIRLPOOL N'ASSUME AUCUNE RESPONSABILITÉ POUR LES DOMMAGES FORTUITS OU INDIRECTS. CERTAINES JURIDICTIONS NE PERMETTENT PAS L'EXCLUSION OU LA LIMITATION DES DOMMAGES FORTUITS OU INDIRECTS, OU LES LIMITATIONS DE LA DURÉE DES GARANTIES IMPLICITES DE QUALITÉ MARCHANDE OU D'APTITUDE À UN USAGE PARTICULIER, DE SORTE QUE CES EXCLUSIONS OU LIMITATIONS PEUVENT NE PAS S'APPLIQUER DANS VOTRE CAS. CETTE GARANTIE VOUS CONFÈRE DES DROITS JURIDIQUES SPÉCIFIQUES ET VOUS POUVEZ ÉGALEMENT JOUIR D'AUTRES DROITS QUI PEUVENT VARIER D'UNE JURIDICTION À UNE AUTRE.

À l'extérieur du Canada et des 50 États des États-Unis, cette garantie ne s'applique pas. Contacter votre marchand Gladiator® GarageWorks autorisé pour déterminer si une autre garantie s'applique.

Si vous avez besoin de service, voir d'abord la section "Dépannage" du Guide d'utilisation et d'entretien. Après avoir vérifié la section "Dépannage", de l'aide supplémentaire peut être trouvée en vérifiant la section "Assistance ou service" ou en appelant Gladiator® GarageWorks. Aux États-Unis, composer le **1-866-342-4089**. Au Canada, composer le **1-800-807-6777**.

8/05

Conservez ce manuel et votre reçu de vente ensemble pour référence ultérieure. Pour le service sous garantie, vous devez présenter un document prouvant la date d'achat ou d'installation.

Inscrivez les renseignements suivants au sujet de votre gros appareil ménager pour mieux vous aider à obtenir assistance ou service en cas de besoin. Vous devrez connaître le numéro de modèle et le numéro de série au complet. Vous trouverez ces renseignements sur la plaque signalétique située sur le produit.

Nom du marchand _____

Adresse _____

Numéro de téléphone _____

Numéro de modèle _____

Numéro de série _____

Date d'achat _____

2314466B

© 2006 Whirlpool Corporation.

All rights reserved.

Todos los derechos reservados.

Tous droits réservés.

® Registered Trademark/TM Trademark of Whirlpool, U.S.A., Whirlpool Canada LP Licensee in Canada

® Marca registrada/TM Marca de comercio de Whirlpool, U.S.A., usada bajo licencia de Whirlpool Canada LP en Canadá

® Marque déposée/TM Marque de commerce de Whirlpool, U.S.A., emploi licencié par Whirlpool Canada LP au Canada

10/06

Printed in U.S.A.

Impreso en EE.UU.

Imprimé aux É.-U.