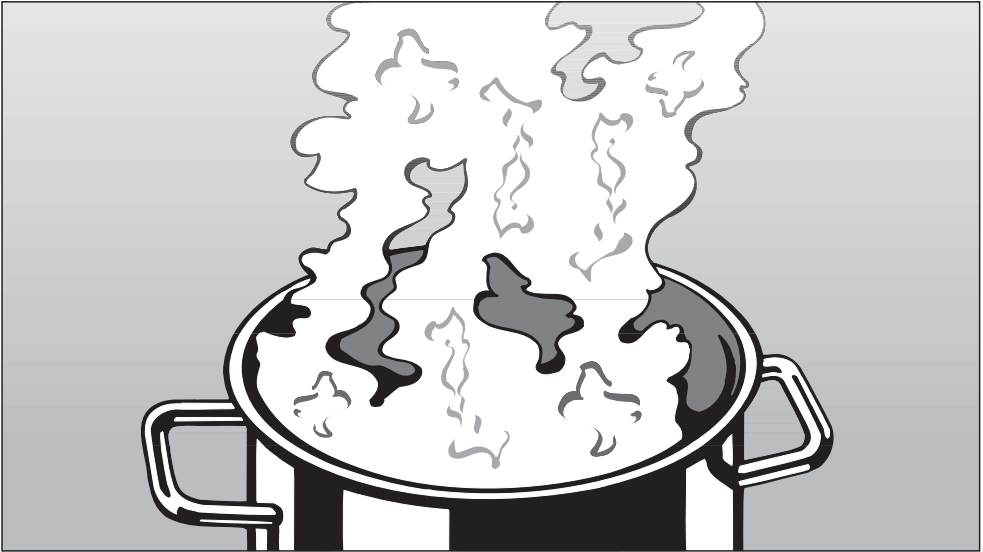


# Miele

## Operating and Installation instructions



Rangehood  
DA 3460  
DA 3490

To avoid the risk of accidents or damage to the appliance, it is **essential** to read these instructions before it is installed and used for the first time.

en - AU, NZ

M.-Nr. 09 727 360

# Contents

---

<b>Caring for the environment</b> . . . . .	3
<b>Warning and Safety instructions</b> . . . . .	4
<b>Description of the appliance</b> . . . . .	10
<b>Description of the functions</b> . . . . .	12
<b>Operation</b> . . . . .	13
<b>Cleaning and care</b> . . . . .	15
Housing . . . . .	15
Grease filter . . . . .	16
Fitting and replacing the charcoal filter (optional accessory) . . . . .	18
Changing a halogen lamp . . . . .	19
<b>Appliance dimensions</b> . . . . .	20
<b>Installation</b> . . . . .	22
Installation accessories . . . . .	22
Positioning the appliance in the wall housing unit . . . . .	25
Attaching the lightshield . . . . .	29
Weight of a lightshield matching existing furniture . . . . .	29
Adjusting the building-in depth . . . . .	29
Fitting the grease filter . . . . .	30
Set up for extraction mode . . . . .	30
Set up for recirculation mode . . . . .	31
Electrical connection . . . . .	32
<b>Connection for air extraction</b> . . . . .	33
Condensate trap . . . . .	34
Silencer . . . . .	35
<b>Electrical connection</b> . . . . .	36
<b>Operation with control module DSM 400</b> . . . . .	37
Potential free connection . . . . .	37
Connection to a light switch . . . . .	37
<b>After sales service</b> . . . . .	38
<b>Technical data</b> . . . . .	39

### Disposal of the packing material

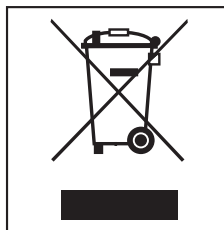
The transport and protective packing has been selected from materials which are environmentally friendly for disposal and can normally be recycled.

Ensure that any plastic wrappings, bags, etc. are disposed of safely and kept out of the reach of babies and young children. Danger of suffocation.

Rather than just throwing these materials away, please ensure they are offered for recycling.

### Disposal of your old appliance or machine

Electrical and electronic appliances / machines often contain materials which, if handled or disposed of incorrectly, could be potentially hazardous to human health and to the environment. They are, however, essential for the correct functioning of your appliance or machine. Therefore, please do not dispose of your old machine or appliance with your household waste.



Please dispose of it at your local community waste collection / recycling centre and ensure that it presents no danger to children while being stored for disposal.

It should be unplugged or disconnected from the mains electricity supply by a competent person. The plug must be rendered useless and the cable cut off directly behind the appliance or the machine to prevent misuse.

# Warning and Safety instructions

---

This appliance complies with all relevant local and national safety requirements. Inappropriate use can, however, lead to personal injury and damage to property.

To avoid the risk of accidents and damage to the appliance, please read these instructions carefully before using it for the first time. They contain important information on the safety, installation, use and maintenance of the appliance.

Keep these instructions in a safe place and ensure that all users are familiar with the contents. Pass them on to any future owner of the appliance.

## Correct application

▶ This rangehood is designed for domestic use and for use in similar environments by guests in hotel or motel rooms, bed & breakfasts and other typical living quarters. This does not include common/shared facilities or commercial facilities within hotels, motels or bed & breakfasts.

▶ It must only be used to extract vapours and remove odours from cooking.

▶ This appliance is not suitable for outdoor use.

Any other usage is at the owner's risk. Miele cannot be held liable for damage resulting from incorrect or improper use or operation.

▶ This appliance is not intended for use by persons (including children) with reduced physical, sensory or mental capabilities, or lack of experience or knowledge, unless they have been given supervision or instruction concerning its use by a person responsible for their safety.

## Safety with children

▶ This appliance is only intended for use by adults who have read these instructions. This appliance is not a toy! To avoid the risk of injury, keep children well away and do not allow them to play with it or to use the controls. They will not understand the potential dangers posed by it. They should be supervised whenever you are working in the kitchen.

▶ Older children may use the rangehood only when its operation has been clearly explained to them and they are able to use it safely. They must be aware of the potential dangers caused by incorrect operation.

▶ Please be aware that on rangehoods with halogen lighting, the lamps will get very hot during use and remain hot for some time after switching off. To safeguard against burning, keep children well away from the lamps at all times.

# Warning and Safety instructions

---

## Technical safety

► Before installation, check the rangehood for visible signs of damage. Under no circumstances should you use a damaged appliance. A damaged appliance is dangerous.

► Before connecting the appliance to the mains supply, make sure that the voltage and frequency details given on the data plate correspond with the on-site electricity supply, otherwise the appliance could be damaged. Consult a qualified electrician if in any doubt.

► The electrical safety of this appliance can only be guaranteed when continuity is complete between the appliance and an effective earthing system which complies with current local and national safety regulations. It is most important that this basic safety requirement is present and tested regularly, and where there is any doubt, the household wiring system should be inspected by a qualified electrician. The manufacturer cannot be held liable for the consequences of an inadequate earthing system (e.g. electric shock).

► For safety reasons, this appliance may only be used when it has been fully installed.

► Only open the housing as described in the instructions given in the installation sheet and in the Cleaning and care section of this booklet. Under no circumstances should any other parts of the housing be opened. Tampering with electrical connections or components and mechanical parts is highly dangerous to the user, and can cause operational faults.

► Installation, maintenance and repairs may only be carried out by a Miele authorised person in accordance with current national and local safety regulations. Repairs and other work by unqualified persons could be dangerous. The manufacturer cannot be held liable for unauthorised work.

► Faulty components must only be replaced by genuine Miele original parts. The manufacturer can only guarantee the safety of the appliance when Miele replacement parts are used.

► During installation, maintenance and repair work, the appliance must be disconnected from the mains electricity supply. It is only completely isolated from the electricity supply when:

- it is switched off at the isolator, or
- the screw-out fuse is removed (in countries where this is applicable), or
- the mains fuse is disconnected, or
- it is switched off at the wall socket and the plug withdrawn.

# Warning and Safety instructions

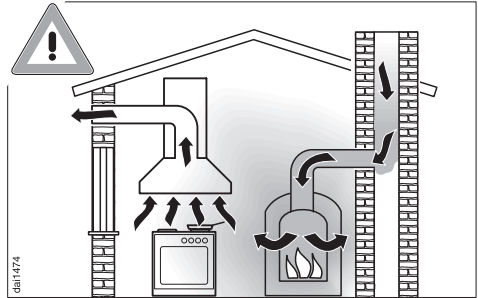
▶ Do not connect the appliance to the mains electricity supply by a multi-socket unit or an extension lead. These do not guarantee the required safety of the appliance (e.g. danger of overheating).

▶ This rangehood must not be installed and operated in mobile installations (e.g. on a ship).

▶ In areas which may be subject to infestation by cockroaches or other vermin, pay particular attention to keeping the appliance and its surroundings in a clean condition at all times. Any damage which may be caused by cockroaches or other vermin will not be covered by the warranty.

## Using at the same time as other heating appliances that depend on the air from the room

Warning - danger of toxic fumes



▶ Great care should be taken when using the rangehood at the same time and in the same room or area of the house as another heating appliance which depends on the air in the room. Such appliances include gas, oil, wood or coal-fired boilers and heaters, continuous flow or other water heaters, gas cooktops or ovens which draw air in from the room and duct exhaust gases out through a chimney or extraction ducting.

When used in extraction mode, the appliance draws air in from the room in which it is installed **and** from neighbouring rooms.


If there is insufficient air, an underpressure will occur. The heating appliance may be starved of oxygen, impairing combustion.

Harmful gases could be drawn out of the chimney or extraction ducting back into the room, with potentially fatal consequences.

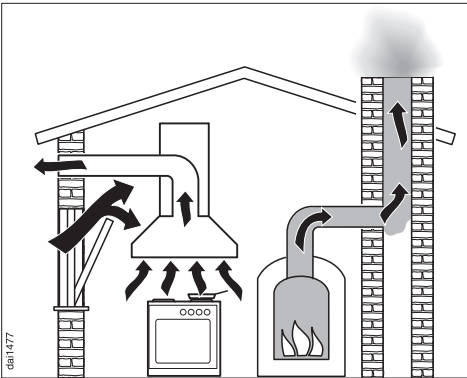
# Warning and Safety instructions

There must be adequate ventilation of the room when the rangehood is used at the same time as appliances burning gas or other fuels.

In order to ensure safe operation, and to prevent gases given off by the heating appliances from being drawn back into the room when the rangehood and the heater are in operation simultaneously, an underpressure of 0.04 mbar (4 pa) is the maximum permissible in the room.

 The overall ventilation condition of the dwelling must be taken into account. If in any doubt, the advice of a competent builder or, for gas, a qualified gas fitter must be sought.

If the rangehood is being operated in recirculation mode, the above restrictions do not apply.



Ventilation can be maintained by air inlets which must not be blocked, in windows, doors and outside wall vents, or by other technical measures, such as ensuring that the rangehood can only be switched on when the heating appliance is switched off or vice versa. A ventilation brick alone is not generally sufficient to ensure safe ventilation.

# Warning and Safety instructions

---

## Correct use

▶ Never use an open flame beneath the rangehood. To avoid the danger of fire, do not flambé or grill over an open flame.

When switched on, the rangehood could draw flames into the filter. Fat particles drawn into the rangehood present a fire hazard.

▶ When using the rangehood over a gas cooktop, ensure that any burners in use are always covered by a pan. Switch the cooking zone off when a pan is removed, even for a short time. Regulate the flame so that it does not burn up the sides of the pan. Do not allow the pans to overheat excessively (e.g. when using a wok). The rangehood can become damaged when exposed to excessive heat.

▶ Always switch the rangehood on when a cooking zone is in use, otherwise condensation may collect in the rangehood, which could cause corrosion.

▶ When cooking with oil or fat, chip pans and deep fat fryers etc., do not leave the pans unattended. Never leave an open grill unattended when grilling. Overheated oil and fat can ignite and could set the rangehood on fire.

▶ Do not use the rangehood without the filters in place. This way you will avoid the risk of grease and dirt getting into the appliance and hindering its smooth operation.

▶ The filters should be regularly cleaned or changed as appropriate. Saturated filters are a fire hazard. See "Cleaning and care".

▶ There is a fire risk if cleaning is not carried out in accordance with the instructions.

▶ The rangehood can get very hot during cooking due to heat rising from the cooktop. Do not touch the housing or the grease filters until the rangehood has cooled down.

▶ Do not use a steam-cleaner to clean this appliance. Pressurised steam could reach the electrical components and cause a short circuit.

▶ **CAUTION:** Accessible parts may become hot when used with cooking appliances.



# Warning and Safety instructions

---

## Correct installation

▶ Refer to the cooktop manufacturer's instructions as to whether a rangehood may be operated above the cooktop.

▶ The minimum safety distances between the top of the cooktop and the bottom of the rangehood given in the "Appliance dimensions" section of this booklet must be maintained, unless the cooktop manufacturer states that a greater safety distance is required.

If more than one cooking appliance is fitted beneath the rangehood, and they have different minimum safety distances to the rangehood, select the greater distance.

▶ Follow the cooktop manufacturer's instructions on the use of flammable materials over the cooktop when installing a wood or laminate lightshield onto the rangehood.

▶ Safety regulations prohibit the fitting of a rangehood over solid fuel stoves.

▶ All ducting, pipework and fittings must be of non-flammable material. These can be obtained from Miele or from builders' merchants.

▶ The appliance must not be connected to a chimney or vent flue which is in use. Neither should it be connected to ducting which ventilates rooms with fireplaces.

▶ If exhaust air is to be extracted into a chimney or ventilation duct no longer used for other purposes, seek professional advice.

▶ Ensure exhaust ventilation complies with all relevant regulations.

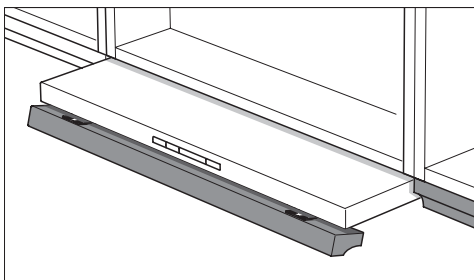
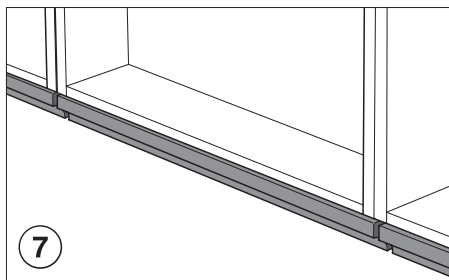
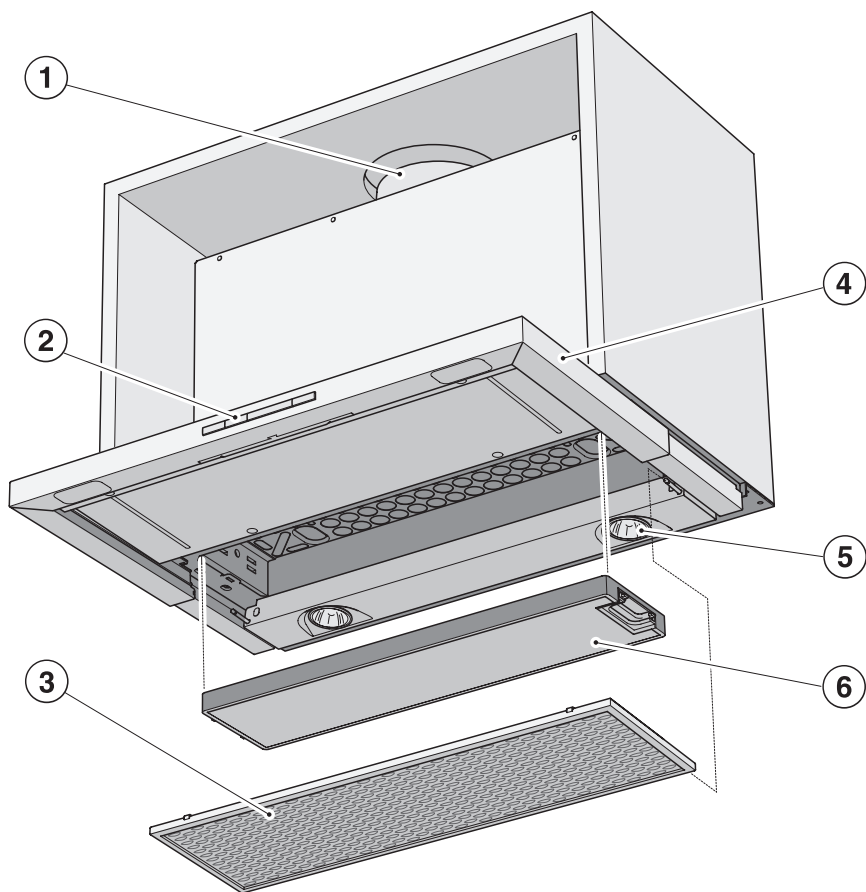
## Accessories

▶ Only use genuine Miele spare parts and accessories with this appliance. If spare parts or accessories from other manufacturers are used, this will invalidate the warranty, and Miele cannot accept liability.

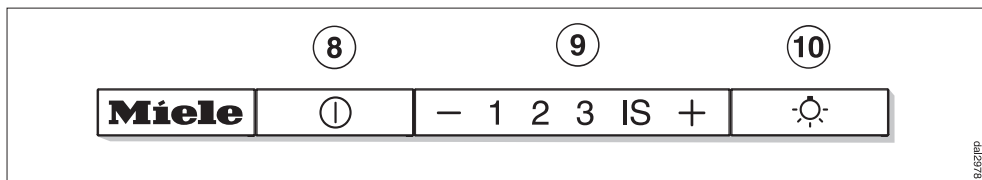
The manufacturer cannot be held liable for damage caused by non-compliance with these Warning and Safety instructions.

# Description of the appliance

896298



## Description of the appliance



① Exhaust socket  $\varnothing$  150 mm

② Controls

③ Grease filter

④ Pull-out deflector plate

⑤ Cooktop lighting

⑥ Charcoal filter

(special accessory for recirculation mode)

⑦ Drop-down lightshield to conceal control panel

The front of the deflector plate can be fitted with a lightshield to match your kitchen furniture.

⑧ On/Off touch control for the fan

⑨ Touch controls to select the fan power setting

⑩ Touch control for the cooktop lighting

BL 62910

## Description of the functions

---

The rangehood works with

### . . . air extraction:

The air is drawn in, cleaned by the grease filter and then directed outside.

If the on-site ventilation system does not have a **non-return flap**, then the non-return flap supplied with the appliance must be fitted in the exhaust socket in the motor unit.

Having a non-return flap fitted in the ducting ensures that air, once ducted to the outside, cannot get back into the room again.

The flap is closed when the rangehood is switched off.

When the rangehood is switched on, the non-return flap opens for the cooking vapours to be blown directly outside.

**Please note, the performance of this rangehood hinges greatly on the installed ducting to vent the vapours. Poor choice of ducting results in poor rangehood performance. For ducting recommendations, please refer to the relevant section in these operating instructions or contact a specialised installer.**

### . . . air recirculation:

(air recirculation conversion kit required)

The air is drawn in and cleaned first by the grease filter and then by a **charcoal filter**. The cleaned air is then recirculated back into the kitchen.


Charcoal filters are available to order from Miele or via the internet at [www.miele-shop.com](http://www.miele-shop.com) (check availability). See back cover for contact details and "Technical Data" for model number.

Before using the rangehood in recirculation mode, ensure that the charcoal filter is in place; see "Cleaning and care".

The rangehood is operated by pulling out and pushing in the deflector plate.

## To switch the fan on

- Pull out the deflector plate.

The fan will come on at power setting **2**. The  symbol and the **2** light up.

## To select a power setting

- To select a lower power setting, press the "-" symbol, or to select a higher power setting, press the "+" symbol.

Depending on the intensity of the cooking vapours, levels **1** to **3** are usually sufficient for normal cooking.

## Intensive setting

- When frying or cooking food with a strong aroma, you may wish to select the **Intensive setting** "IS" (yellow indicator light). Pull the deflector plate right out to achieve optimum extraction and to prevent unnecessary noise levels.

## To switch the fan off

- Push the deflector plate back in. The next time the deflector plate is pulled out, the rangehood will operate at power setting **2** again.

or


- Press the On/Off  touch control for the fan.


All the indicator lights will go out.

## To switch the lighting on

- Pull out the deflector plate.

or

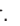
- Press the touch control for the lighting .

When the lighting is switched on, the indicator light  lights up.

## To switch the lighting off

- Push the deflector plate back in.

or

- Press the touch control for the lighting .



The indicator light will go out.

# Operation


---

## Automatic switch-off of the Intensive setting

You can set the Intensive setting so that it always only runs for 10 minutes before reverting automatically to setting **3**.


- To set this option, both the fan and the cooktop lighting must be switched off and the deflector plate pushed in.
- Press the **–** and **+** touch controls at the same time for approx. 10 seconds until the power level indicator light **1** lights up in the display.
- Then press in turn,
  - the cooktop lighting touch control ,
  - then the **–** touch control, and
  - the cooktop lighting touch control  again.


If Automatic switch-off is not activated, the **1** and **IS** indicator lights will flash.

- Press the **+** touch control to activate the Automatic switch-off.  
The indicator lights for fan power levels **1** and **IS** will now light up constantly.  
Press the **–** control to deactivate the Automatic switch-off function.
- Press the On/Off control  to confirm.
- If you do not confirm your selection within 4 minutes, the rangehood will automatically revert to the original setting.


## Safety switch-off

If the rangehood hasn't been operated for 10 hours, the fan will switch off automatically. The lighting will remain switched on.

- Pressing the On/Off  touch control will switch the fan back on again.

 Before any cleaning or maintenance work is carried out, disconnect the rangehood from the mains supply. Ensure that

- it is switched off at the wall socket and the plug is removed, or
- the mains fuse is withdrawn, or
- the screw-out fuse is removed (in countries where this is applicable).

 Exercise caution when changing halogen lamps. They get very hot during use, and remain hot for some time after being switched off. Do not touch the surface directly when changing a lamp, as grease particles from your fingers will adhere to the surface and damage it. The halogen lamps can also be damaged if water is used to clean them. Wait several minutes after switching off before beginning cleaning.

## Housing

### General notes

The surfaces and controls are susceptible to scratches and abrasion. Please observe the following cleaning instructions.

- All external surfaces and controls can be cleaned using warm water with a small amount of washing-up liquid applied with a well wrung-out soft sponge or cloth.

- Wipe the surfaces dry using a soft cloth.

Do not use too much water when cleaning the controls. Water could penetrate the electronics and cause damage.

Do not use:

- cleaning agents containing soda, acids, chlorides or solvents,
- abrasive cleaning agents, e.g. powder cleaners or cream cleaners and abrasive sponges, as well as pot scourers or sponges which have been used previously with abrasive cleaning agents. These will damage the surface material.

### Important for appliances with stainless steel housing

(This information does not apply to the controls).

Stainless steel surfaces can be cleaned with a proprietary non-abrasive cleaning agent designed specifically for use on stainless steel.

To prevent immediate resoiling, the Original Miele care product for stainless steel can be purchased from Miele or at [www.miele-shop.com](http://www.miele-shop.com) (depending on country). Apply sparingly with a soft cloth following the instructions on the packaging.

# Cleaning and care

## Controls

The controls may suffer discolouration or damage if soiling is left on them for too long. Remove soiling straight away.


Observe the "General notes" on cleaning earlier in this section.

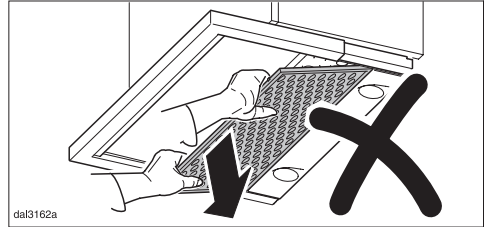
Do not use stainless steel cleaning agents on the controls.

## Grease filter

The re-usable metal grease filter in the appliance removes solid particles from the kitchen vapours (grease, dust, etc.) preventing soiling of the rangehood.

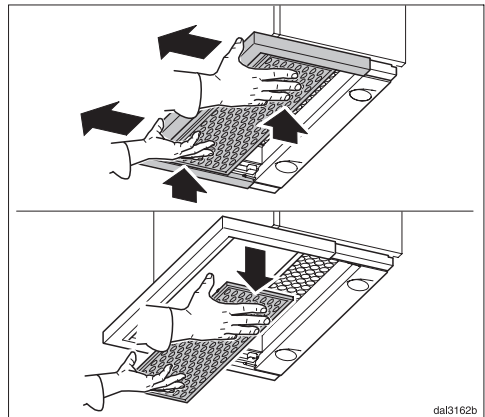
To avoid a build-up of fat, it should be cleaned every 3-4 weeks on average, or sooner if necessary.

 An oversaturated filter is a fire hazard.



Do not pull the grease filter downwards to remove while it is at the back of the canopy.

- Push in the deflector plate.



- Grip the front of the deflector plate together with the grease filter, and pull outwards as shown.
- Then lower the filter to remove.

To avoid damaging the filter or the cooktop below, make sure you hold the filter securely at all times when handling it.

- Slide the switch for the fan to position "0".



## Cleaning the grease filter by hand

- Clean the filter with a soft nylon brush in a mild solution of hot water and a little washing-up liquid.  
Do not use undiluted washing-up liquid.

Do not use:

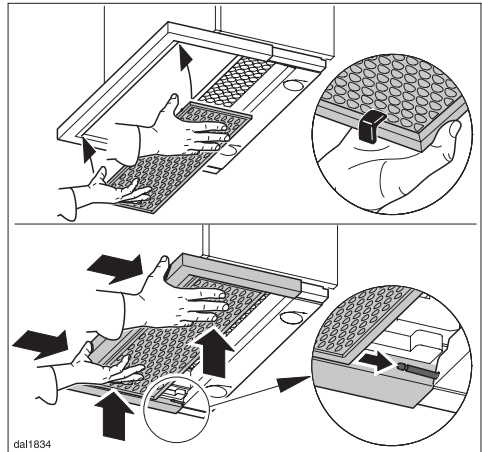
- cleaning agents containing descaling agents,
- powder cleaners, cream cleaners or abrasive all-purpose cleaning agents,
- oven sprays.

## Cleaning the grease filter in the dishwasher

- Place the filter as upright as possible in the lower basket. Ensure the spray arm is not obstructed.
- Do not wash at more than 65 °C. If a Miele dishwasher is being used, select the Sensor wash programme.
- Use a dishwasher detergent.

Depending on the cleaning agent used, cleaning the filter in a dishwasher can cause permanent discolouration to the surface. However, this will not affect the functioning of the filter in any way.

- After cleaning, leave the filter to dry for a while on an absorbent surface before putting it back in place.
- When removing the filter for cleaning, also clean off any residues of oil or fat from the now accessible housing to prevent the risk of these catching fire.



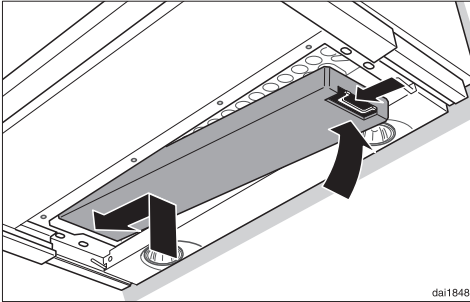
- When putting it back, make sure that the **red plastic guides** are at the front and facing upwards.
- Replace the grease filter in the front of the deflector plate, press it upwards and push it in together with the deflector plate. It will slide onto the fixing pins at the back. Finally, push the grease filter back a little more.

# Cleaning and care

---

## Fitting and replacing the charcoal filter (optional accessory)

If the rangehood is connected for recirculation, a charcoal filter must be inserted in addition to the grease filter. This is designed to absorb cooking odours.



It is fitted in the canopy above the grease filter.

Replacement charcoal filters can be obtained from Miele or via the internet at [www.miele-shop.com](http://www.miele-shop.com) (depending on country). See back cover for contact details, and "Technical data" for type and reference number.

Follow the instructions supplied with the charcoal filter when fitting it.

Replace the charcoal filter at least every six months or more frequently if necessary.

Used charcoal filters can be disposed of with the normal household waste.

## Changing a halogen lamp

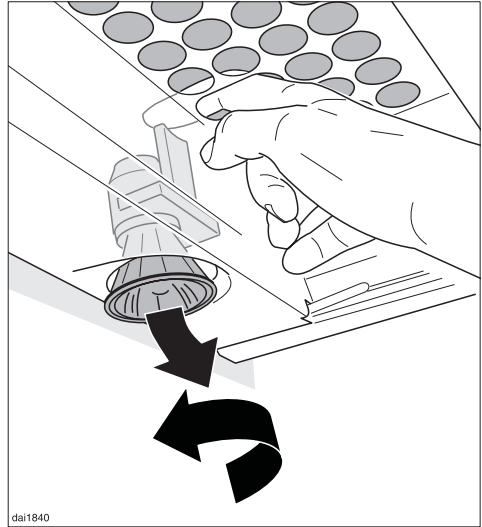
- Pull out the deflector plate, and remove the grease filter as described earlier.
- Switch off the fan and the lighting.

**⚠** Exercise caution when changing halogen lamps. They get very hot during use, and remain hot for some time after being switched off. Do not touch the surface directly when changing a lamp, as grease particles from your fingers will adhere to the surface and damage it. Please follow the manufacturer's instructions.

- Remove the charcoal filter if the rangehood is being used in recirculation mode.

**⚠** Before any cleaning or maintenance work, disconnect the rangehood from the mains supply. Ensure that

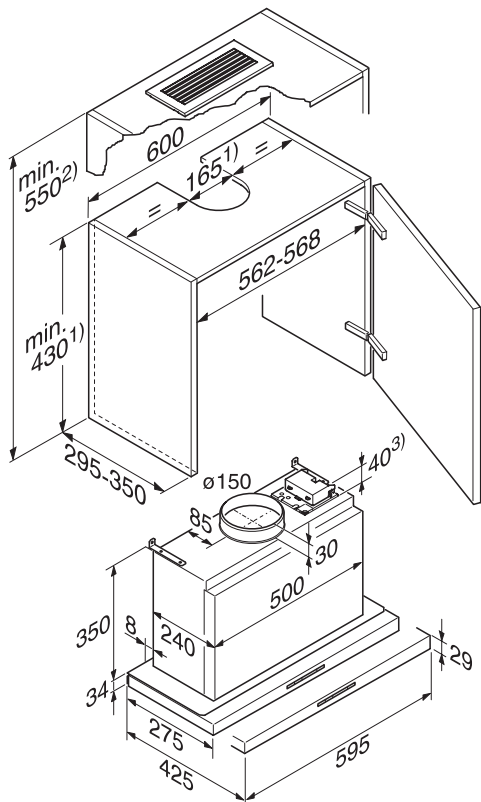
- it is switched off at the wall socket and the plug is withdrawn, or
- the mains fuse is withdrawn, or
- the screw-out fuse is removed (in countries where this is applicable).



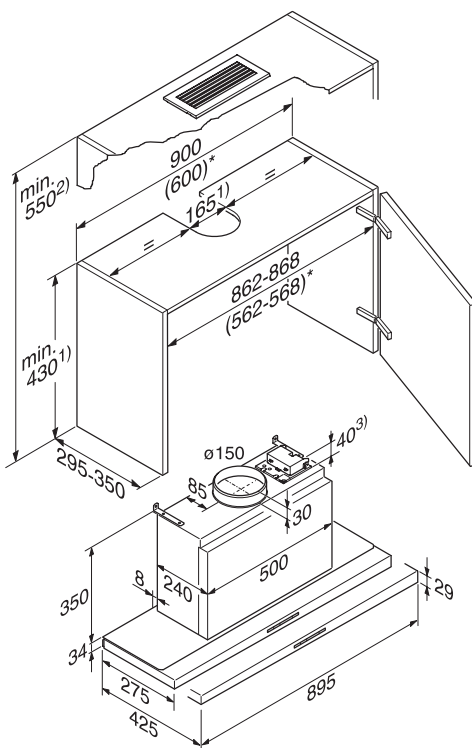
dai1840

- Push down the lighting unit slightly via the opening in the safety panel.
- The halogen lamp is now accessible to be unscrewed anti-clockwise.
- Replace it with a new halogen lamp (specification: GU/GZ 10, 230 V, 50 W). Screw the lamp into the socket and push it upwards. Please follow the manufacturer's instructions.
- Replace the grease filter and, if being used in recirculation mode, the charcoal filter.

# Appliance dimensions



DA 3460



DA 3490

# Appliance dimensions

1) In extraction mode: when measuring for the height of the wall housing unit and the cut-out, account must be taken of any accessories fitted, e.g. silencer, DSM module.

2) Recirculation is possible with conversion kit DUU 151.

3) DSM 400 is available as an optional accessory.

\* Installation is also possible in a 600 mm wide wall unit.

## Safety distances between cooktop and rangehood (S)

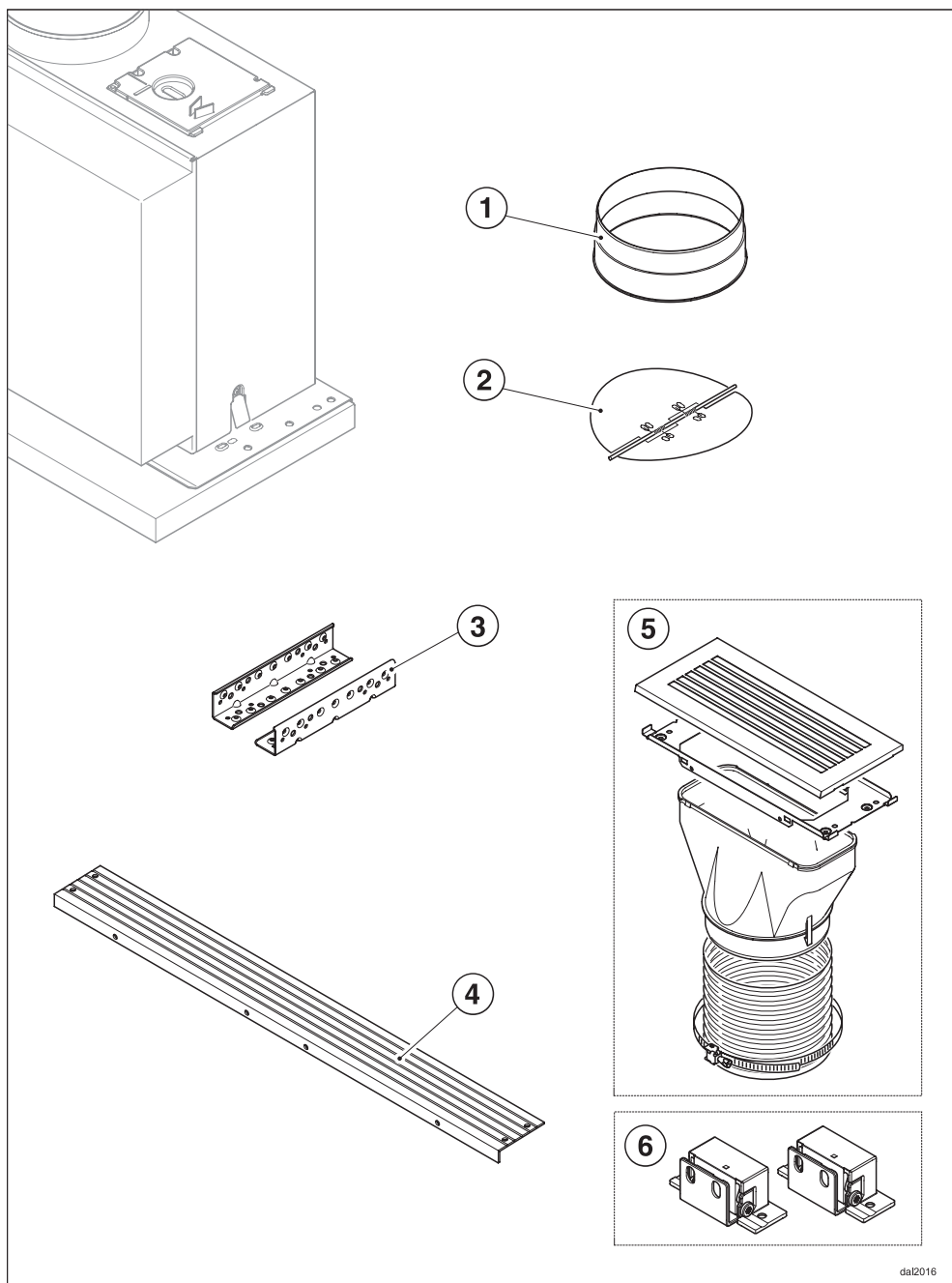
**The minimum safety distances between the top of a cooktop and the bottom of the rangehood are as follows, unless a greater distance is specified by the manufacturer of your cooking appliance:**

<b>Cooking appliance</b>	<b>Distance S</b>
Electric cooktop	600 mm
Open electric grill	650 mm
Deep fat fryer (electric)	650 mm
Multi-burner gas cooktop with maximum 45.4 MJ/h total output, with no burner having a greater output than 16.2 MJ/h.	650 mm
Multi-burner gas cooktop with total output greater than 45.4 MJ/h, or a gas cooktop including a single burner with an output greater than 16.2 MJ/h.	760 mm
Single gas cooktop with a maximum output of 21.6 MJ/h	650 mm
Single gas cooktop with a maximum output greater than 21.6 MJ/h	760 mm

See "Warning and Safety" instructions for further information.

# Installation

## Installation accessories



da2016

① **1 exhaust connection**

for exhaust ducting  $\varnothing$  150 mm.

② **1 non-return flap**

for fitting into the exhaust socket on the motor unit (not needed for recirculation mode).

③ **2 brackets**

to support the appliance in the wall unit.

④ **1 spacer strip**

to conceal the gap between the rear of the appliance and the wall.

⑤ **Conversion kit for recirculation mode**

including exhaust grille and flexible aluminium hose with clip (the conversion kit is not supplied with the rangehood but is available as an optional extra; see "Technical data").

⑥ **DML 400 installation kit (available as an optional accessory)**

contains hinging and screws for attaching a lightshield to match kitchen furniture (lightshield not supplied with rangehood but is available as an optional extra).



**8 screws 4 x 15 mm**

for securing the rangehood to the wall unit.



**8 screws M4 x 12 mm**

for securing the rangehood to the brackets.

4 of the screws can be used instead of the plastic rivets to secure the spacer strip.



**2 screws 4 x 15 mm,**

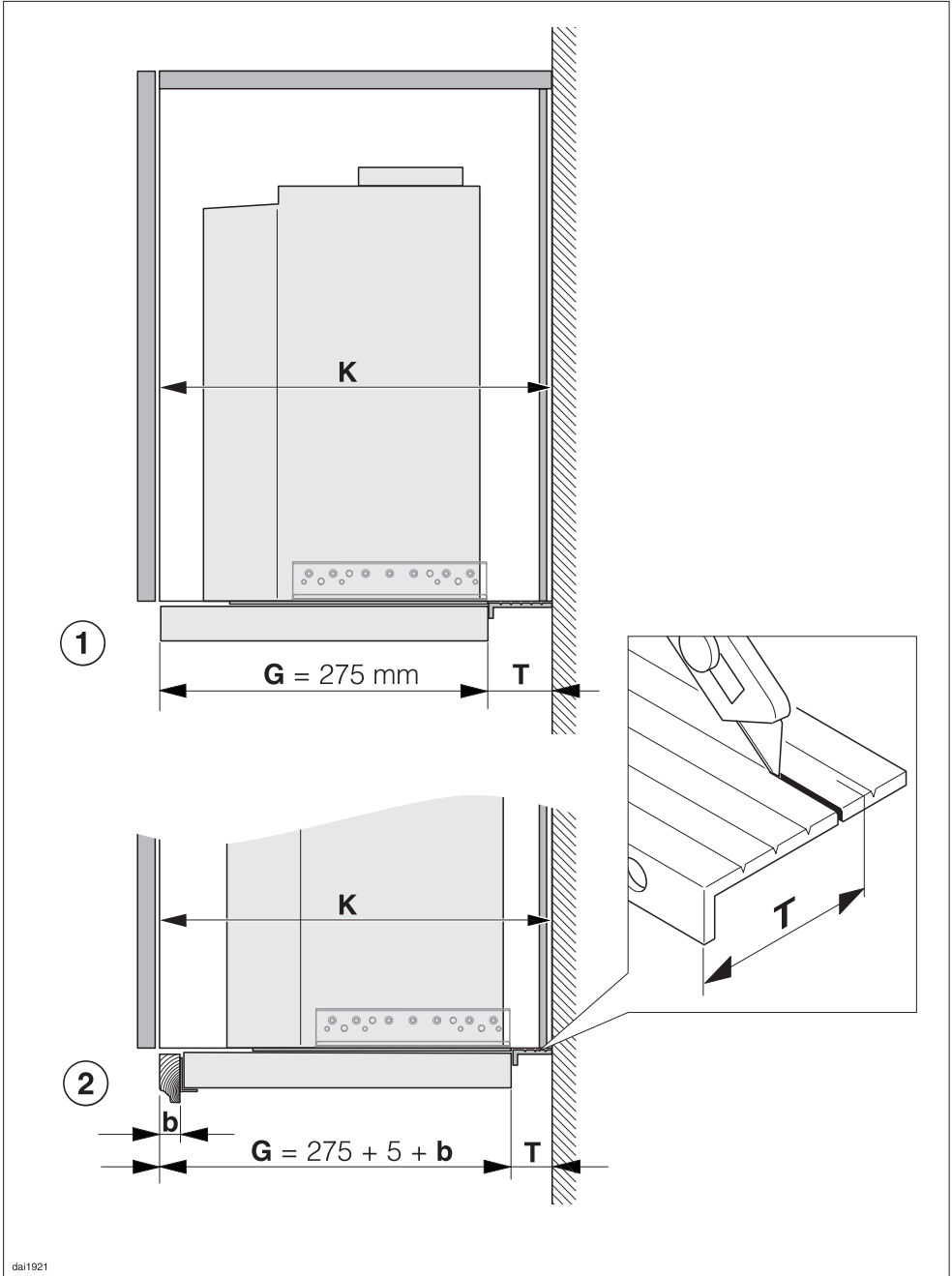
for securing the rangehood to the rear wall.



**4 plastic rivets**

for securing the spacer strip to the rear of the appliance.

# Installation



dai1921

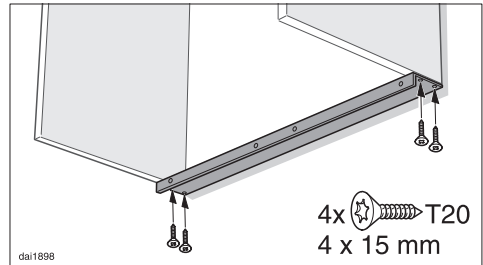


## Positioning the appliance in the wall housing unit

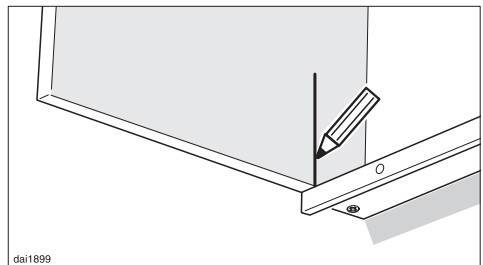
To position the appliance correctly, cut the spacer strip to the required depth **T**, and then attach it to the back of the appliance.

**T** = Wall unit depth **K** minus depth of appliance **G**

- Example ① shows installation without a lightshield and the front edge of the pushed in deflector plate is aligned with the front of the wall housing unit.
- Example ② shows installation with a lightshield to blend in with surrounding kitchen furniture. The installation position is adjusted by the thickness **b** of the front panel plus 5 mm for the bracket DML 400.
- Cut the spacer strip supplied to measurement **T**. Score along the groove for the **smaller** measurement as shown, and remove the surplus.

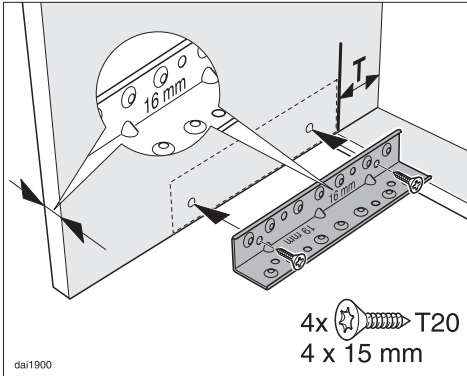


- Screw the spacer strip to the bottom of the sides of the housing, flush with the rear wall.

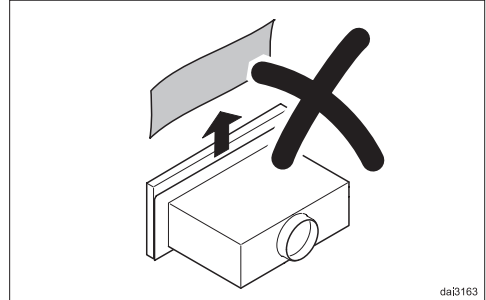


- Draw a vertical line up both inside walls of the housing from the front of the spacer strip.

# Installation

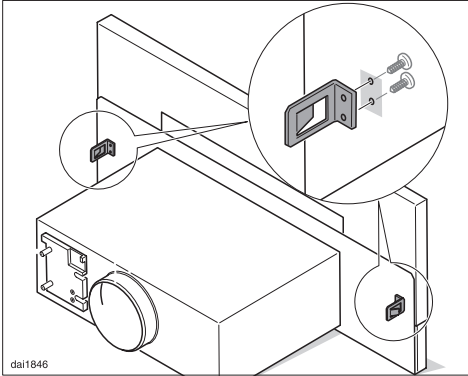


- Screw the brackets onto the right and left inside walls of the housing unit as shown. The back edge of the brackets should align with the vertical line drawn up from the front of the spacer strip, and the lower edge aligned with the lower edge of the housing unit side wall. The brackets are designed for furniture units with a thickness of 16 mm and 19 mm. Orientate the bracket so that the vertical depth matches the thickness of the panel, as shown.

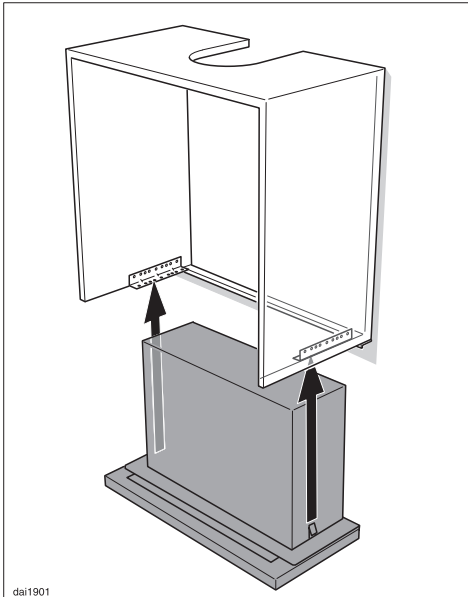


Do not remove the protective film between the deflector plate and the appliance housing until the rangehood has been placed in the housing unit.

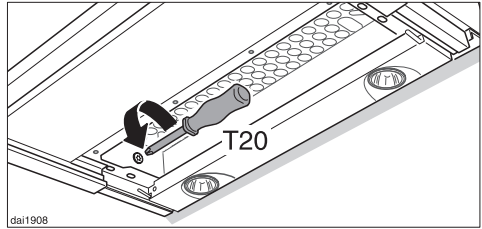
The rangehood should be installed without the grease filter fitted. If the grease filter is fitted, remove it before installing the rangehood (see "Cleaning and care").



- When installing a 90 cm wide appliance in a 60 cm wide wall unit, unscrew the brackets on the deflector plate while it is pulled out.

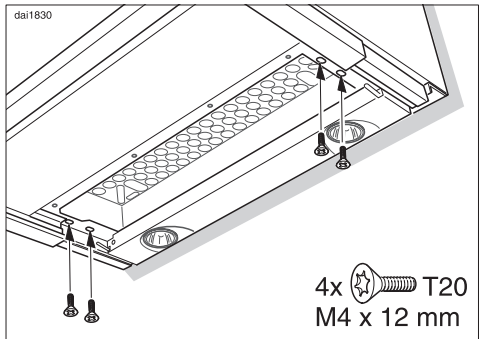


- Lift the appliance up into the housing from below, and engage in the brackets.



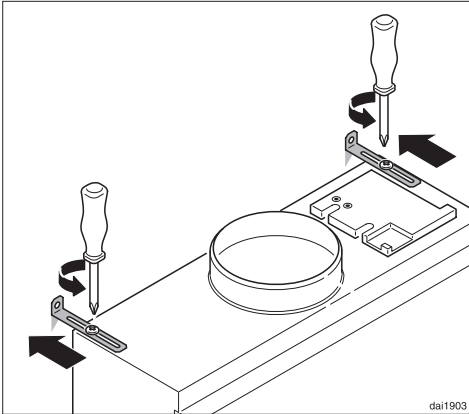
Note for dismantling the rangehood: Undoing the screws on the left and right inside the housing releases the brackets, allowing the appliance to be removed from the unit.

- Push the rangehood back against the spacer strip.
- Pull out the deflector plate.

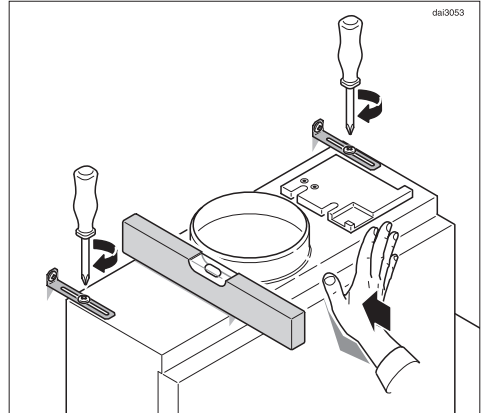


- Secure the appliance to the brackets using 2 screws on each side.
- Remove the protective film between the deflector plate and the housing.

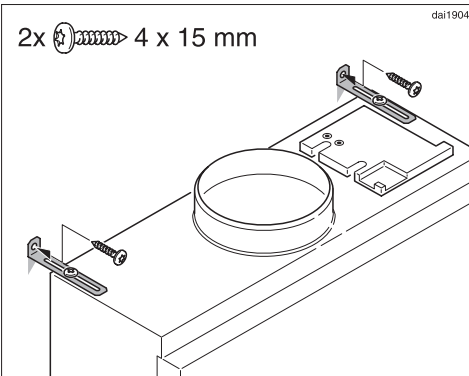
# Installation



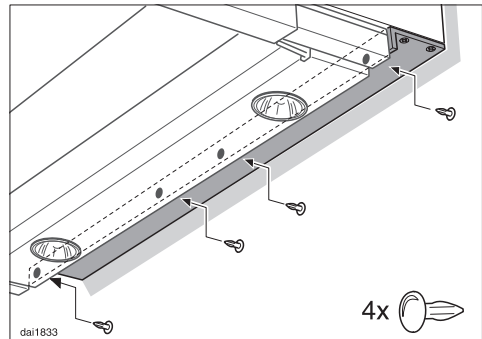
- Loosen the fixing bracket screws on the top of the housing.
- Push the brackets onto the rear of the wall unit or the wall.



- Align the housing unit and screw the brackets onto the housing.



- Secure the brackets to the rear wall.

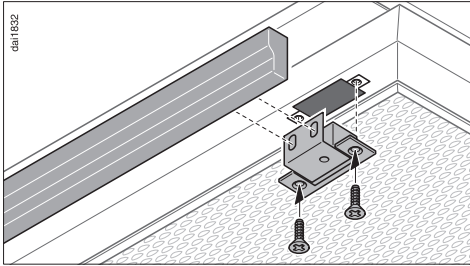


- Secure the spacer strip to the back of the appliance from behind using 4 plastic rivets as shown.

If the rear wall of the wall unit is not robust enough, the brackets must be secured to the wall behind the unit.

Ensure that the correct fixing materials are used to do this.

## Attaching the lightshield



- Attach the lightshield (if using).

A DML 400 installation kit, available as an optional accessory, is required for this.

Follow the installation instructions supplied.

Warning: Failure to install the screws or fixing device in accordance with the instructions may result in electrical hazards.

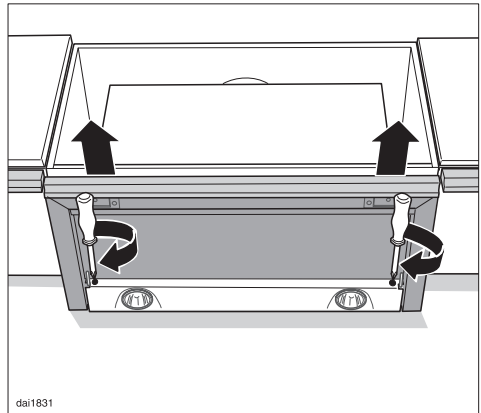
## Weight of a lightshield matching existing furniture

The lightshield must not exceed 1300 g in weight.

This applies to lightshields with a depth of up to 30 mm.

For larger or heavier lightshields, the weight must be reduced, e.g. by trimming it down at the back.

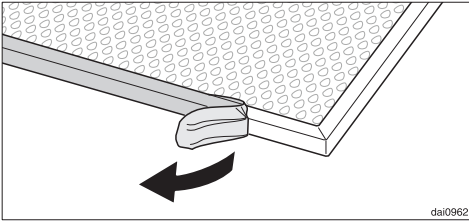
## Adjusting the building-in depth



- The position of the deflector plate can be brought forward by up to 35 mm using the adjusting screws on either side of the canopy. Then align the deflector plate with the front of the adjacent furniture units.

# Installation

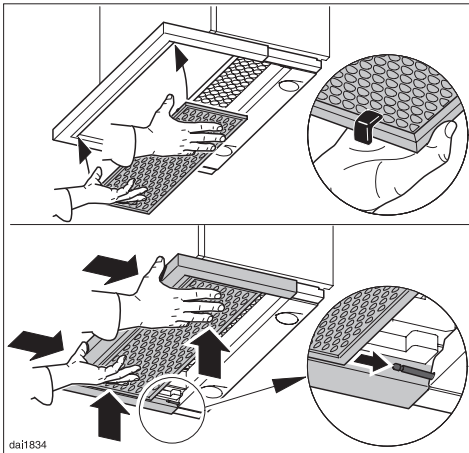
## Fitting the grease filter



- Remove the protective strip around the edge of the grease filter.

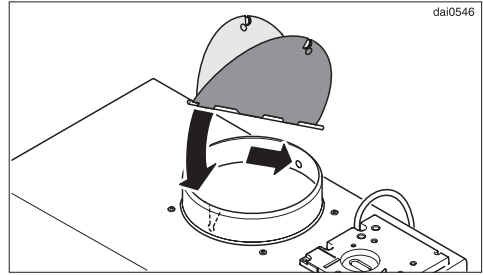
Fit the grease filter.

- To do this, pull out the deflector plate.

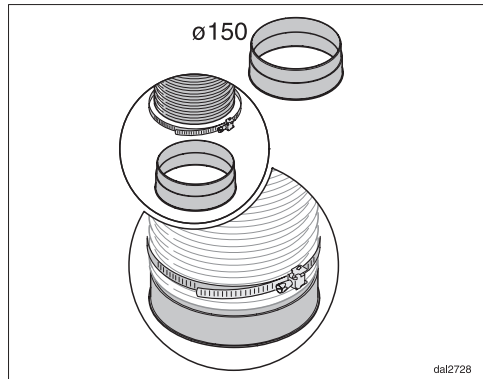


- Turn the grease filter so that the **red plastic guides** are at the front and facing upwards.
- Replace the grease filter in the front of the deflector plate, press it upwards and push it in together with the deflector plate. It will slide onto the fixing pins at the back. Finally, push the grease filter back a little more.

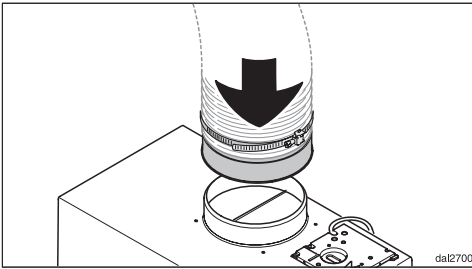
## Set up for extraction mode



- In case the on-site ventilation system does not have a non-return flap, a **non-return flap** is supplied with the appliance. It must be fitted in the exhaust socket in the motor unit. Depending on the model, the non-return flap may already be fitted.



- When using  $\varnothing$  150 mm ducting, secure the exhaust connection supplied to the exhaust ducting with a hose clip.



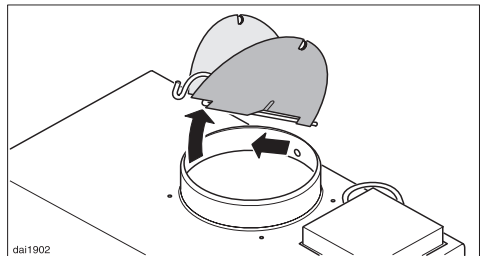
## Set up for recirculation mode

If site conditions are not suitable for the rangehood to be used with air extraction, the appliance must be set up for recirculation.

For this, a conversion kit DUU 151, available from Miele, is required.

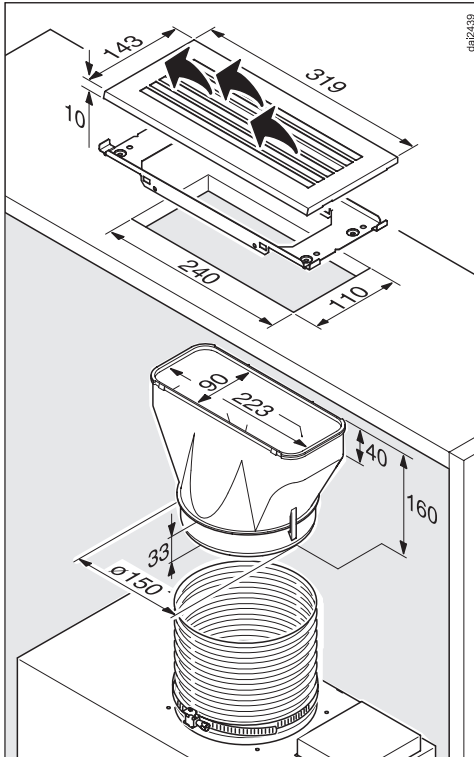
You will also need a charcoal filter (see "Technical data").

- Place the exhaust ducting on the exhaust socket for the rangehood.
- See "Connection for air extraction" for further instructions on fitting the ducting.



- A non-return flap is not required for recirculation mode. Depending on the model, it may already be fitted. Pull the non-return flap out of the exhaust connection.

# Installation



## Electrical connection

Refer to the notes in “Electrical connection” and “Warning and Safety instructions” before connecting to the electricity supply.

- Plug the connection cable into a wall socket.

- Fit the conversion kit as described in the installation instructions supplied with the kit.
- Make sure that the slats on the exhaust grille are directed towards the middle of the room, and not towards the wall or the ceiling.

A non-return flap is not used in recirculation mode.

- Fit the charcoal filter (see "Cleaning and care").



## Connection for air extraction

**Important:** To avoid the danger of toxic fumes, please observe the Warning and Safety instructions. This is especially crucial when using the rangehood at the same time as another heating appliance which relies on air from the same room. The rangehood should be installed according to local and national building regulations. Seek approval from the building inspector where necessary.

- Only use smooth pipes or flexible hoses made from non-flammable materials for the extraction ducting.

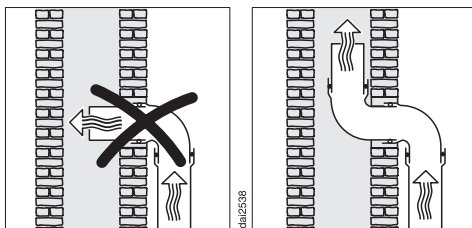
To achieve the greatest possible air extraction with the lowest noise level, please note the following:

- To ensure efficient air extraction, the diameter of the exhaust ducting should not be less than 150 mm.
- If flat ducting is being used, the cross-sectional area must not be smaller than the cross-sectional area of the exhaust connection.

**Important:** If exhaust ducting with a diameter of less than 150 mm, or if flat ducting is used, the noise level of the rangehood will increase and extraction will be less efficient.

- All ducting, pipework and fittings must be of non-flammable materials.
- The exhaust ducting should be as short and straight as possible.
- Only use wide radius bends.

- The exhaust ducting should not be kinked or compressed.
- Ensure that all connections are strong and airtight.
- Where ducting is horizontal, it must be laid to slope away at at least 1 cm per metre. This is to ensure that condensate cannot drain back into the rangehood.
- If the exhaust air is to be ducted into the open air, the installation of a telescopic wall vent or roof vent (available as an optional accessory) is recommended.



- If the exhaust air is to be ducted into a vent flue, the ducting must be directed in the flow direction of the flue.

### **Important:**

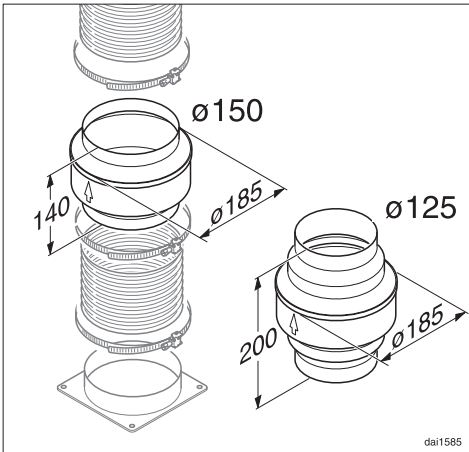
If the exhaust ducting is to run through rooms, ceiling space etc. where there may be great variations in temperature between the different areas, the problem of condensation will need to be addressed. The exhaust ducting will need to be suitably insulated.

# Connection for air extraction

## Condensate trap

(optional accessory)

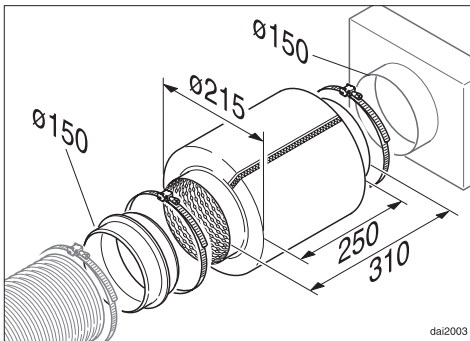
For installations in areas where the exhaust ducting is exposed to cold temperatures, we recommend insulating the exhaust ducting and installing a condensate trap to collect and evaporate any condensate which may occur. Condensate traps are available for  $\varnothing$  125 mm or  $\varnothing$  150 mm ducting.



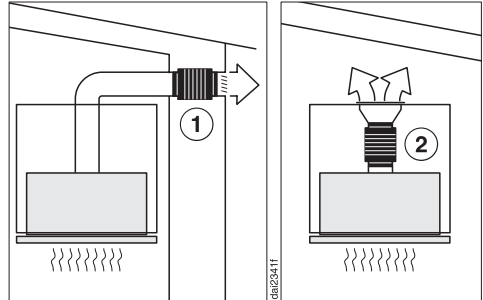
When installing a condensate trap, ensure that it is positioned vertically and, if possible, directly above the exhaust connection. The arrow on the housing indicates the direction of air-flow.

## Silencer

(DASD 150, optional accessory)



To achieve even further reductions in noise levels, a special silencer can be fitted in the ducting system.



### ...with air extraction:

The silencer not only reduces noise from the fan, but also sounds from outside (e.g. traffic noise). For this reason, the silencer must be positioned as close as possible to where the ducting leaves the building ①.

### ...in recirculation mode:

The silencer needs to be positioned between the fan and the exhaust grille ②. Ensure there is adequate space for fitting it.

In all modes of operation, the most effective noise reductions are achieved if two silencers are fitted in the system.

# Electrical connection

---

All electrical work should be undertaken by a suitably qualified and competent person in strict accordance with current national and local safety regulations.

Installation, repairs and other work by unqualified persons could be dangerous, for which the manufacturer cannot be held liable.

Ensure power is not supplied to the appliance until after installation or repair work has been carried out.

Do not connect the appliance to the mains electricity supply by an extension lead. These do not guarantee the required safety of the appliance.

**The connection data is given on the data plate.** This is visible when the grease filters have been removed. Ensure that this data matches the household mains supply.

Connection of this appliance should be made via a suitable isolator which complies with national and local safety regulations and the On-Off switch should be easily accessible after the appliance has been built in.

If the switch is not accessible after installation, an additional means of disconnection must be provided for all poles.

For extra safety, it is advisable to install a suitable residual current device (RCD). Contact a qualified electrician for advice.

## Important

This appliance is supplied for connection to an AC 230 V single phase 50 Hz supply.

The wires in the mains lead are coloured in accordance with the following code:

Green/yellow	= earth
Blue	= neutral
Brown	= live

**WARNING:**  
THIS APPLIANCE MUST BE  
EARTHED

If the connection cable is damaged, it must be replaced by the manufacturer or similarly qualified persons to avoid a hazard.

# Operation with control module DSM 400

The Miele DSM 400 can be used to combine the rangehood with other components.

Follow the installation instructions supplied.

Warning: Failure to install the screws or fixing device in accordance with the instructions may result in electrical hazards.

It enables the following:

## Potential free connection

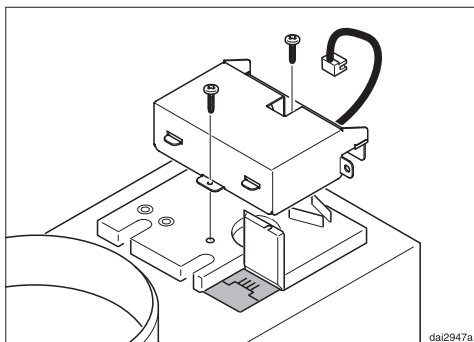
This is used for controlling another appliance with the help of the rangehood's On/Off button ①.

If in any doubt, the advice of a competent builder must be sought.

## Connection to a light switch

The control module can be used to switch on the rangehood lighting via a light switch in the house.

## Installation



The control module must be installed above the rangehood housing.

All electrical work must be carried out by a competent, qualified electrician.

## After sales service

---

In the event of a fault which you cannot correct yourself, please contact:

- Miele

You will find the telephone number and address of Miele on the back cover of the manual.

Please quote the model and serial number when contacting Miele. These are shown on the data plate which is visible when the grease filters are removed.

### **Warranty**

The warranty for this appliance is 2 years.

For further information, please refer to your warranty booklet.

Rated load . . . . .	395 W
Fan motor . . . . .	295 W
Cooktop lighting . . . . .	2 x 50 W
Voltage . . . . .	AC 230 V
Frequency . . . . .	50 Hz
Fuse rating . . . . .	10 A
Electrical cable length . . . . .	1.5 m
Weight	
DA 3460 . . . . .	12.5 kg
DA 3490 . . . . .	14.5 kg

## Fan performance

Extraction power according to  
EN 61591

Extraction system  $\varnothing$  150 mm:

Setting I . . . . .	280 m <sup>3</sup> /h
Setting II . . . . .	420 m <sup>3</sup> /h
Setting III . . . . .	570 m <sup>3</sup> /h
Intensive setting . . . . .	720 m <sup>3</sup> /h

Recirculation with charcoal filter:

Setting I . . . . .	220 m <sup>3</sup> /h
Setting II . . . . .	320 m <sup>3</sup> /h
Setting III . . . . .	420 m <sup>3</sup> /h
Intensive setting . . . . .	500 m <sup>3</sup> /h

## Optional accessories for recirculation mode:

- **Conversion kit DUU 151**
- **Miele charcoal filter DKF13-1**

## **Miele Australia Pty. Ltd.**

ABN 96 005 635 398

### **Miele Center and Head Office Melbourne:**

1 Gilbert Park Drive  
Knoxfield, VIC 3180

### **Miele Center and Office Melbourne:**

208-210 Coventry Street  
South Melbourne, VIC 3205

### **Miele Center and Office Sydney:**

3 Skyline Place  
Frenchs Forest, NSW 2086

### **Miele Center and Office Brisbane:**

39 Harvey Street North  
Eagle Farm, QLD 4009

### **Miele Center and Office Adelaide:**

83-85 Sir Donald Bradman Drive  
Hilton, SA 5033

### **Miele Center and Office Perth:**

205-207 Stirling Highway  
Claremont, WA 6010



**[www.miele.com.au](http://www.miele.com.au)**



**[www.miele-shop.com](http://www.miele-shop.com)**

# **Miele**

## **Miele New Zealand Limited Miele Center and Head Office**

8 College Hill  
Freemans Bay  
Auckland 1011  
New Zealand  
Telephone: 0800 264 353  
[www.miele.co.nz](http://www.miele.co.nz)

## **Miele Global Headquarters Germany**

### **Miele & Cie. KG**

Carl-Miele-Straße 29  
33332 Gütersloh  
Federal Republic of Germany