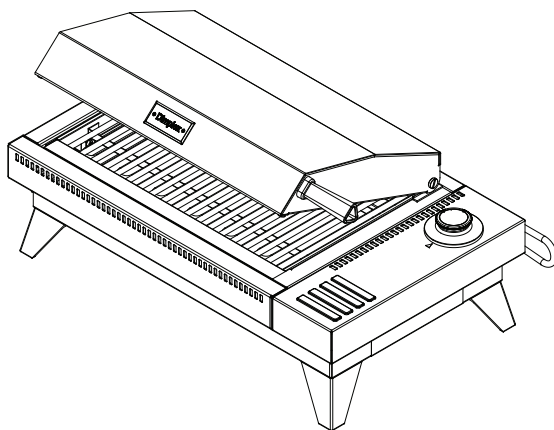


Power *Chef*[®]

Owner's Manual

Model Number:

PBQ-120-METRO



Serial Number _____

Model Number PBQ-120-METRO

Part Number 6901480100

Dimplex[®]

North America Limited

PowerChef® Table Top Features

Welcome and Thank You for purchasing a Dimplex PowerChef® Table Top Electric Grill.

The following introduction highlights the many features of your electric grill. Detailed operating instructions are contained later on in this manual.

EvenSear® Cooking System

At the heart of your PowerChef® Table Top grill is the EvenSear® Cooking System. The dual layer grill system functions in two ways. The top grill sears your food, with direct contact, and at the same time your food is cooked gently and evenly by additional radiant heat from the lower element. The EvenSear® system ensures that all energy supplied to the grill is directly used on cooking your food to perfection. The EvenSear® Cooking System applies energy evenly and consistently throughout the entire grill area, eliminating “cool spots”.

No Combustion or Tanks

PowerChef® Table Top grill utilizes your standard household electric current and provides a safe source of heat to cook your food. The PowerChef® Table

Top grill, with no open flame or combustion, heats up quickly, and never needs refueling! No gas or other fuel fumes will impart unwanted tastes or odor to your food.

Easy to Clean

With its stainless steel upper grill, the EvenSear® Cooking System is easy to keep clean.

100% Usable Grill Surface

Because there are no variations in temperature or performance, the EvenSear® Cooking System provides 100% use of its grill area. The full 216 square inch grill maintains a consistent even temperature, even in the corners!

Lid Down Cooking

To conserve energy and reduce cooking time, we recommend that the PowerChef® Table Top be used with the lid down during cooking. A thermometer, featured in many other grills, which reads only the air temperature inside the cabinet, is unnecessary on the PowerChef® Table Top. The EvenSear® Cooking System relies and utilizes direct cooking rather than air temperature to cook your food.

PowerChef® Table Top Features

Versatile

With no open flame, no combustion and no need to refuel the PowerChef® Table Top grill can be used safely in many areas that other grills cannot.

Electrical Requirements

A Ground Fault Interrupt (GFI) outdoor outlet or a circuit protected by a ground fault breaker with a rating of 15 Amps, 120 Volts is strongly recommended. A dedicated circuit is preferred but not essential in all cases. A dedicated circuit will be required if, after installation, the circuit breaker trips or the fuse blows on a regular basis when the electric grill is operating. Additional appliances on the same circuit may exceed the current rating of the circuit breaker.

Accessories

For the complete line of electric BBQ accessories contact your authorized Dimplex dealer or visit us on the web at www.dimplexoutdoors.com.

CONTENTS

Important Instructions	Page 5
Model and Serial Number Information.....	Page 7
Assembly	Page 8
Site Selection and Preparation	Page 9
Operation.....	Page 10
Care and Cleaning.....	Page 11
Warranty	Page 13
Replacement Parts	Page 15

IMPORTANT INSTRUCTIONS

Please Retain This User's Guide For Future Reference

⚠ WARNING: Read all instructions and warning labels prior to use. Failure to follow these safeguards may result in serious personal injury or property loss. This appliance is intended for outdoor household, non-commercial use only.

1. **WARNING:** Do not use charcoal, or any other combustible material in an electric grill.
2. Never touch hot surfaces, use handles or knobs. The temperature of accessible metal surfaces may be high when the appliance is operating. Use cooking tongs, gloves, or cooking mitts at all times since the grill will become very hot. Open hood carefully when cooking to avoid burns from the hot air and steam trapped inside.
3. Wear clothing that does not have hanging shirt tails, frills, or apron strings.
4. Use long-handle barbecue utensils to avoid personal injury caused by burns and splatters.
5. To protect against electric shock, never immerse cord, plugs or electric heating element in water or any other liquid.
6. Never leave the electric grill on when you are not cooking.
7. Never operate any appliance with damaged electrical components or after the appliance has malfunctioned. Regularly inspect supply cord and connections. If cord, element or control is damaged or worn, it must be replaced by an authorized service facility as special tools are required. Do not attempt to repair the appliance yourself. Contact your authorized service agent for installation of electrical replacement kit.
8. The use of non Dimplex accessory attachments is not recommended and may cause damage to the unit or injury.
9. Never let cord touch hot surfaces.
10. To avoid personal injury, close hood before moving.
11. Never move a hot grill or leave it unattended.
12. Never move an electric grill unless it is unplugged.
13. Never use an electric grill in the rain, sleet or snow.
14. Never use an electric grill near combustible or flammable materials.
15. Turn the power off on the electric grill before unplugging.
16. The use of longer detachable power supply cords or extension cords is not recommended. Extension cords may overheat and cause a risk of fire. If

you must use an extension cord, it must be intended for outdoor use and have a rating of no less than 1875 Watts. Outdoor extension cords are marked with the suffix letters “W-A” and have a tag stating “Suitable for Use with Outdoor Appliances”.

17. Store the electric grill out of reach of children.
18. Never allow other persons to be near the electric grill while in use.
19. Do not use the electric grill or its accessories for anything other than the intended use.
20. Always check that food is fully cooked before consumption.
21. Do not attempt to remove the cooking grid from the unit.
22. This appliance is not intended for use by persons (including children) with reduced physical, sensory or mental capabilities or lack of experience and knowledge, unless they have been given supervision concerning use of the appliance by a person responsible for their safety. Children should be supervised to ensure that they do not play with the appliance.
23. This appliance is not to be operated by means of an external timer or separated remote control device.
24. Turn off the grill and wait until it is cool to the touch (approximately 30 minutes) before moving, covering or storing. Unplug the electric grill from outlet when not in use or before cleaning. Allow grill to cool before cleaning or adding or removing parts. Do not clean this product with high pressure hoses.
25. Store products indoors when not in use - out of the reach of children.
26. Do not clean this product with a water spray or the like.

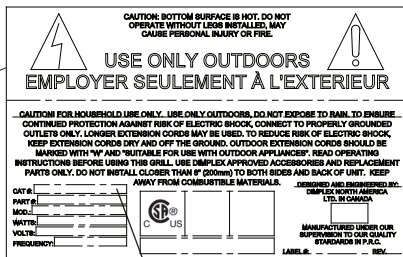
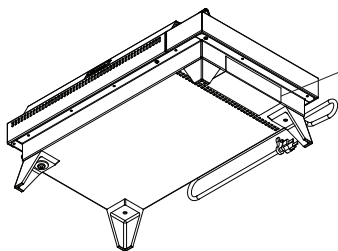
SAVE THESE INSTRUCTIONS

- !** **NOTE:** Procedures and techniques that are considered important enough to emphasize.
- ⚠** **CAUTION:** Procedures and techniques which, if not carefully followed, will result in damage to the equipment.
- ⚡** **WARNING:** Procedures and techniques which, if not carefully followed, will expose the user to the risk of fire, serious injury, illness or death.

Model and Serial Number Information

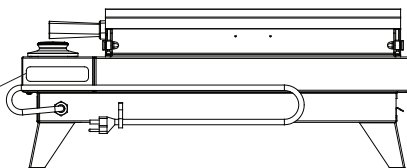
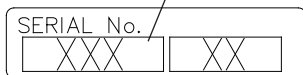
If you have any questions regarding this product please have the model and serial numbers available upon calling customer service or technical support. To locate the model and serial number labels see Figure 1 and 2 below. Record the model number, serial number, on the front cover of this manual and save for future reference.

Figure 1



Model Number

Serial Number

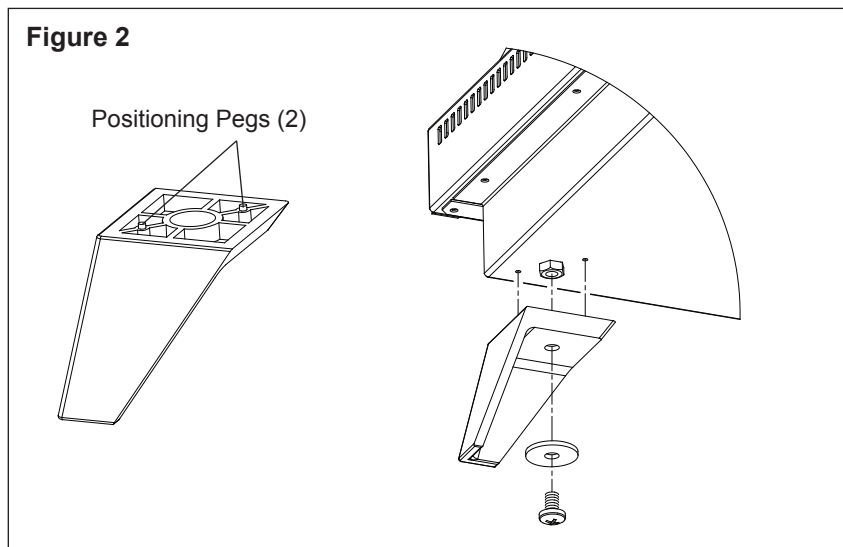


Rear View of Grill

Assembly


⚠ CAUTION: Bottom surface is hot when in use. Do not operate without legs installed, may cause personal injury or fire.

Position leg as shown in Figure 2 and attach with the supplied hardware, using a Phillips screwdriver.




Site Selection and Preparation


! **NOTE:** A Ground Fault Interrupt (GFI) outdoor outlet or a circuit protected by a ground fault breaker with a rating of 15 Amps, 120 Volts is strongly recommended. A dedicated circuit is preferred but not essential in all cases. A dedicated circuit will be required if, after installation, the circuit breaker trips or the fuse blows on a regular basis when the electric grill is operating. Additional appliances on the same circuit may exceed the current rating of the circuit breaker. Construction and electrical outlet wiring must comply with local building codes and other applicable regulations to reduce the risk of fire, electric shock and injury to persons. Do not attempt to wire your own new outlets or circuits, and always use a licensed electrician.

 **CAUTION:** To avoid personal injury and damage to unit, never move or transport with the lid open.

1. Select a suitable location away from puddles, pools, ponds, and hot tubs.

 **CAUTION:** Do not place grill on surfaces covered by paper, plastic or vinyl table cloths and the like. **Wood, concrete, steel, or outdoor plastic furniture surfaces are recommended.**

2. Ensure the sides of the electric grill are positioned more than six (6) inches (150 mm) away from any combustible material or surfaces before cooking.
3. Ensure that there are no flammable or other volatile materials in the direct area before grilling.
4. For ease of electrical hook up you may wish to locate the electric grill near an existing outlet (refer to NOTE above).

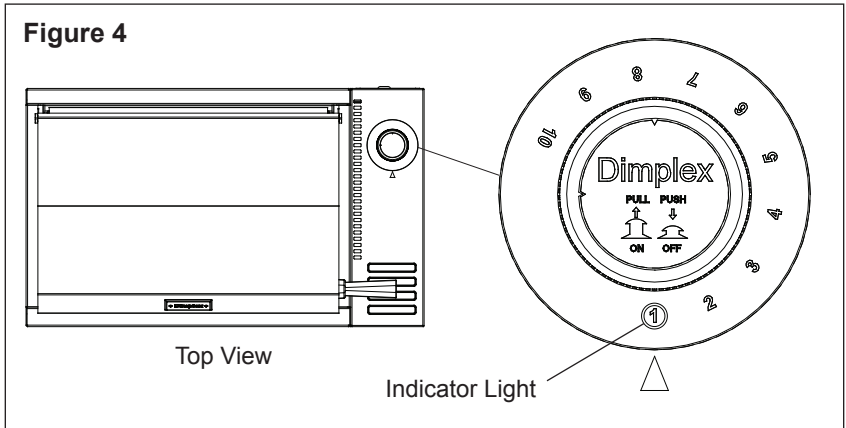
 **WARNING:** Ensure the power cord is not pinched or against a sharp edge. Ensure that the power cord is stored or secured to avoid tripping or snagging to reduce the risk of fire, electric shock or injury to persons.

Never route power cord underneath the electric grill. Always route power cord directly out the side or front.

Operation

The Control Dial for the grill uses a simple method of operation. Pull the dial up to turn the grill on, and push the dial back down to turn the grill off.

The red Indicator Light (Figure 4) will illuminate and remain on until the Control Dial is pushed in to turn off the grill, regardless of what power level the Control Dial is set at.



To operate:

1. Gently pull the Control Dial up until it clicks to turn grill on (red Indicator Light will illuminate).
2. The grill will immediately go to full power for five (5) minutes (regardless of setting) to preheat the cooking surface.
3. After the grill is preheated, adjust the grill to the desired cooking level by turning the Control Dial from 1 (Low) to 10 (High).
4. Place and cook food.
5. Push Control Dial down fully to turn off grill, Indicator Light will turn off.

Care and Cleaning

⚠ WARNING: Unplug the electric grill from outlet when not in use or before cleaning. Do not clean this product with high pressure water spray.

Store the electric grill indoors when not in use.

Drip Tray

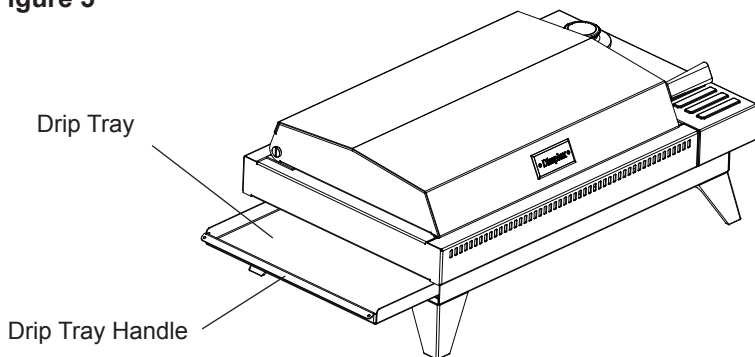
⚠ CAUTION: Allow the grill to cool before attempting to clean the Drip Tray. Never use the electric grill without the Drip Tray in place.

The Drip Tray is located under the cooking grid. We recommend the Drip Tray be lined with aluminum foil, an aluminum baking sheet (size 12 ¼ inches (320 mm) x 19 ¼ inches (490 mm)), or use a non-stick cooking spray to make clean-up easier.

To clean Drip Tray:

1. Keeping one hand on the grill, use your other hand to pull the Drip Tray up then out the side of the grill as shown in Figure 5.
2. Use a paper towel or cloth to soak up any excess liquid. Then, use a clean damp, soft cloth or sponge with a mild detergent to clean any remaining debris. Follow with a clean damp cloth or paper towel to removed any remaining detergent residue.

Figure 5



3. Relocate the Drip Tray into position and push into the grill chassis.

! NOTE: Dimplex recommends cleaning the Drip Tray after every use to make future cleanings easier.

Cooking Grid

To keep your electric grill operating at optimal performance Dimplex recommends that you clean the cooking grid after each use.

The cooking grid is permanently mounted into the body of the electric grill and cannot be removed.

Do not attempt to remove the cooking grill.

For best results when cleaning:

1. Clean grill after every use.
2. While grill is still warm, use a stiff wire brush and clear grill of all food particles. A scraper can be used to remove difficult particles.

⚠ WARNING: Never strike cooking grid to remove residue.

3. After grill has cooled, follow up brushing and/or scraping by wiping cooking surface with a damp, soft cloth or sponge with a detergent or grill cleaner. Follow with a clean damp cloth to remove any remaining detergent residue.

Surface Cleaning

To clean any metallic surface, Dimplex recommends using a damp, soft cloth or sponge with a mild detergent. Follow with a clean damp cloth to remove any remaining detergent residue.

Do not use abrasive or strong cleaners or cleaning pads on any surface of the electric grill. Doing so may scratch the surface of your grill.

Storage

For seasonal and non seasonal storage, cover and store in a dry location away from the elements.

One Year Limited Warranty

Products to which this limited warranty applies

This limited warranty applies to newly purchased Dimplex electric grill. This limited warranty applies only to purchases made in any province of Canada *except* for Yukon Territory, Nunavut, or Northwest Territories or in any of the 50 States of the USA (and the District of Columbia) *except* for Hawaii and Alaska. This limited warranty applies to the original purchaser of the product only and is not transferable.

Products excluded from this limited warranty

Products purchased in Yukon Territory, Nunavut, Northwest Territories, Hawaii, or Alaska are not covered by this limited warranty. Products purchased in these States, provinces, or territories are sold AS IS without warranty or condition of any kind (including, without limitation, any implied warranties or conditions of merchantability or fitness for a particular purpose) and the entire risk of as to the quality and performance of the products is with the purchaser, and in the event of a defect the purchaser assumes the entire cost of all necessary servicing or repair.

What this limited warranty covers and for how long

Products covered by this limited warranty have been tested and inspected prior to shipment and, subject to the provisions of this warranty, Dimplex warrants such products to be free from defects in material and workmanship for a period of 12 months from the date of the first purchase of such product.

The limited 12 month warranty period also applies to any implied warranties that may exist under applicable law. Some jurisdictions do not allow limitations on how long an implied warranty lasts, so the above limitation may not apply to the purchaser.

What this limited warranty does not cover

This limited warranty does not apply to products that have been repaired (except by qualified service representatives) or otherwise altered. This limited warranty does further not apply to defects resulting from misuse, abuse, accident, neglect, incorrect installation, improper maintenance or handling, or operation with an incorrect power source.

Dimplex will not be responsible for, and the limited warranty shall not include, any expense incurred for installation, removal or repair of the product or part (or any replacement product or part) or transportation costs. Such costs shall be the purchaser's responsibility.

What you must do to get coverage under this limited warranty

Defects must be brought to the attention of Dimplex Technical Service by contacting Dimplex at 1-888-DIMPLEX (1-888-346-7539), or 1367 Industrial Road, Cambridge Ontario, Canada N1R 7G8. Please have proof of purchase, catalogue/model and serial numbers available when calling. Limited warranty requires a proof of purchase of the product.

What Dimplex will do in the event of a defect

In the event a product or part covered by this limited warranty is proven to be defective in material or workmanship during the 12 month limited warranty period you have the following rights:

- Dimplex will, at its sole discretion, choose to replace such defective product or part, without charge. If Dimplex is unable to replace such product or part, or if Dimplex at its sole discretion deems the replacement not be commercially practical or cannot be completed on a timely basis, Dimplex may, in lieu of replacement, choose to refund the purchase price for such product or part.
- The purchaser is responsible for removal, installation, repair and transportation of such product or part (and any replacement product or part)

What Dimplex and its dealers and service agents are also not responsible for:

IN NO EVENT WILL DIMPLEX, OR ITS DIRECTORS, OFFICERS, OR AGENTS, BE LIABLE TO THE PURCHASER OR ANY THIRD PARTY, WHETHER IN CONTRACT, IN TORT, OR ON ANY OTHER BASIS, FOR ANY INDIRECT, SPECIAL, PUNITIVE, EXEMPLARY, CONSEQUENTIAL, OR INCIDENTAL LOSS, COST, OR DAMAGE ARISING OUT OF OR IN CONNECTION WITH THE SALE, MAINTENANCE, USE, OR INABILITY TO USE THE PRODUCT, EVEN IF DIMPLEX OR ITS DIRECTORS, OFFICERS, OR AGENTS HAVE BEEN ADVISED OF THE POSSIBILITY OF SUCH LOSSES, COSTS OR DAMAGES, OR IF SUCH LOSSES, COSTS, OR DAMAGES ARE FORESEEABLE. IN NO EVENT WILL DIMPLEX, OR ITS OFFICERS, DIRECTORS, OR AGENTS BE LIABLE FOR ANY DIRECT LOSSES, COSTS, OR DAMAGES THAT EXCEED THE PURCHASE PRICE OF THE PRODUCT.

SOME JURISDICTIONS DO NOT ALLOW THE EXCLUSION OR LIMITATION OF INCIDENTAL OR CONSEQUENTIAL DAMAGES, SO THE ABOVE LIMITATION OR EXCLUSION MAY NOT APPLY TO THE PURCHASER.

How State and Provincial law apply

This limited warranty gives you specific legal rights, and you may also have other rights which vary from jurisdiction to jurisdiction. The provisions of the United Nations Convention on Contracts for the Sale of Goods shall not apply to this limited warranty or the sale of products covered by this limited warranty.

Replacement Parts List

Leg	PBQ-LEG KIT-RP
Handle	PBQ-HANDLE KIT-RP
Hood	PBQ-HOOD KIT-RP
Control Knob	PBQ-CONTROL KNOB KIT-RP
Thermostat	PBQ-THERMOSTAT KIT-RP
Drip Tray	1022650191RP
Bumpers (2).	8501400100RP



Dimplex North America Limited
1367 Industrial Road • Cambridge ON
Canada N1R 7G8

1-888-346-7539 • www.dimplex.com



© 2010 Dimplex North America Limited

Approved for use in the United States and Canada
Printed in China