

6 SPOT™ Quad IRC

User Manual

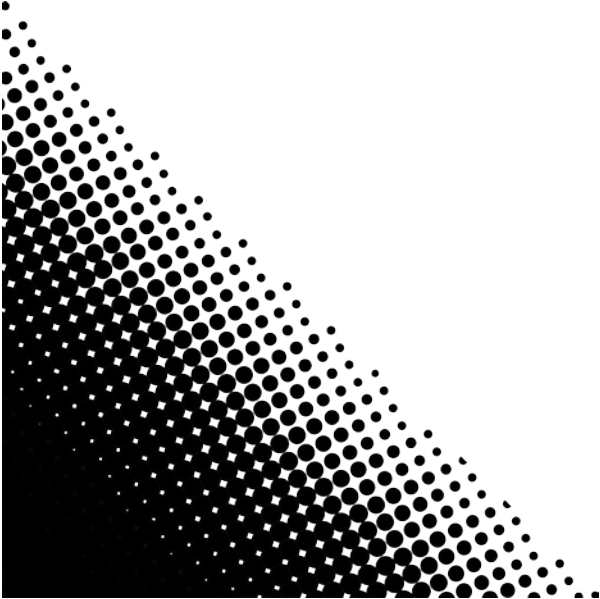
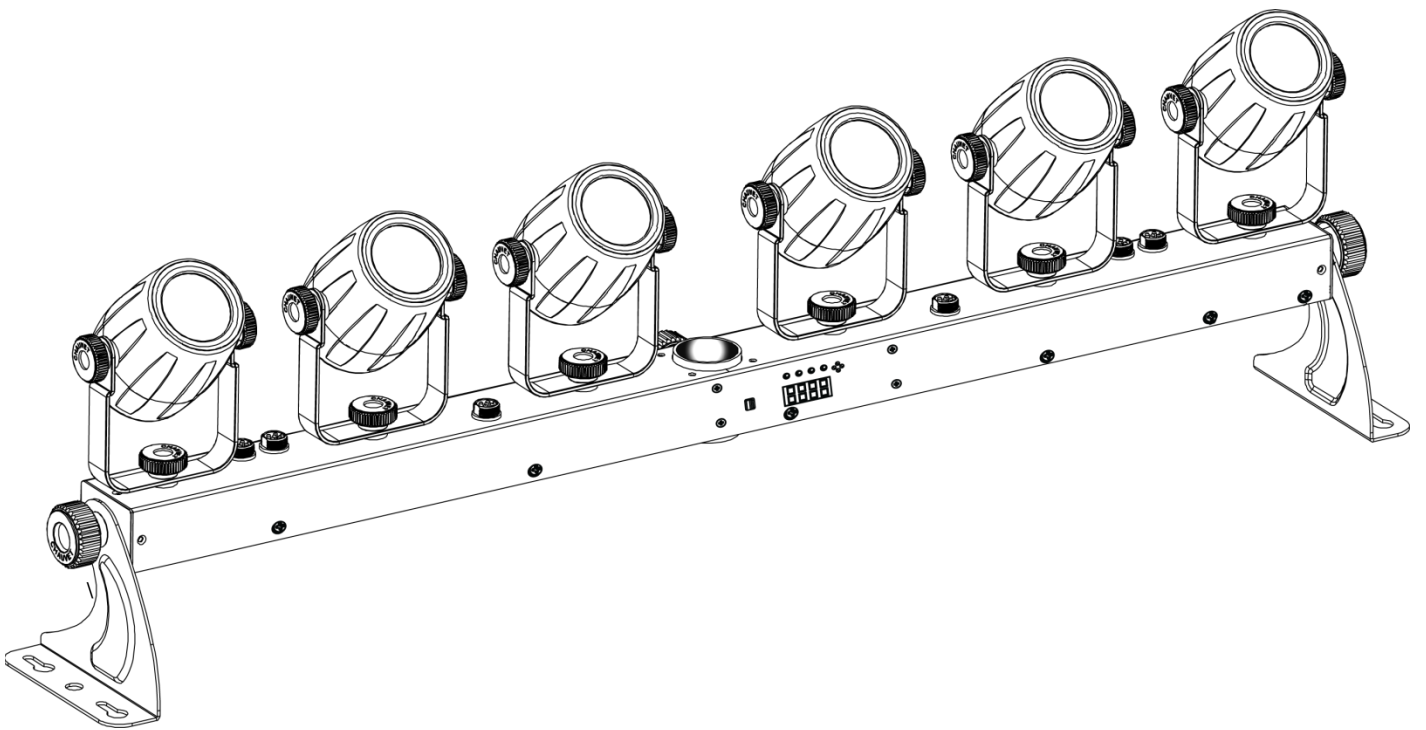


TABLE OF CONTENTS

1. Before You Begin	3
What Is Included	3
Unpacking Instructions	3
Claims.....	3
Text Conventions	3
Symbols	3
Disclaimer	3
Product at a Glance	4
Safety Notes.....	4
2. Introduction	5
Product Overview	5
Product Dimensions	6
3. Setup	7
AC Power	7
Fuse Replacement	7
Power Linking	7
Mounting	8
Orientation	8
Rigging	8
4. Operation	9
Control Panel Operation.....	9
Menu Map	9
DMX Linking.....	9
Configuration (DMX)	9
DMX Personality and Starting Address.....	9
DMX Channel Assignments and Values	10
6SPOT™ Quad IRC Zones for DMX Control.....	10
28CH	10
28CH (cont.)	11
10CH	11
10CH (cont.)	12
10CH (cont.)	13
10CH (cont.)	14
4-CH	14
Configuration (Standalone)	15
Static Color Mode	15
Auto Program Mode.....	15
Program Speed.....	15
Sound-Active Mode	15
Sound Sensitivity	15
Custom Color Mixing Mode	15
IRC-6 Infrared Remote Control.....	16
IRC-6 Operation.....	16
Master/Slave Mode.....	17
5. Maintenance	18
Product Maintenance	18
6. Technical Specifications	19
Returns	20
Contact Us	21

1. BEFORE YOU BEGIN

What Is Included

- 6SPOT™ Quad IRC
- Power Cord
- 2 L-Brackets
- Carrying Bag
- Warranty Card
- Quick Reference Guide

Unpacking Instructions

Carefully unpack the product immediately and check the container to make sure all the parts are in the package and are in good condition.

Claims




If the box or the contents (the product and included accessories) appear damaged from shipping, or show signs of mishandling, notify the carrier immediately, not Chauvet. Failure to report damage to the carrier immediately may invalidate your claim. In addition, keep the box and contents for inspection.

For other issues, such as missing components or parts, damage not related to shipping, or concealed damage, file a claim with Chauvet within 7 days of delivery.

Text Conventions

Convention	Meaning
1—512	A range of values
50/60	A set of values of which only one can be chosen
Settings	A menu option not to be modified
Menu > Settings	A sequence of menu options to be followed
<ENTER>	A key to be pressed on the product's control panel
ON	A value to be entered or selected

Symbols

Symbol	Meaning
	Critical installation, configuration, or operation information. Not following these instructions may make the product not work, cause damage to the product, or cause harm to the operator.
	Important installation or configuration information. The product may not function correctly if this information is not used.
	Useful information.

Disclaimer

The information and specifications contained in this document are subject to change without notice. Chauvet assumes no responsibility or liability for any errors or omissions that may appear in this manual. Chauvet reserves the right to update the existing document or to create a new document to correct any errors or omissions.

You can download the latest version of this document from www.chauvetlighting.com.

© Copyright 2015 Chauvet. All rights reserved.

Electronically published by Chauvet in the United States of America.

Author	Date	Editor	Updated
R. Isenstadt	03/24/15	A. Leon	04/14/15

Product at a Glance

Use on Dimmer	X	Auto Programs	P
Outdoor Use	X	Auto-ranging Power Supply	P
Sound-Active	P	Replaceable Fuse	P
DMX	P	User-Serviceable	X
Master/Slave	P		

Safety Notes

Please read the following Safety Notes carefully before working with the product. The Notes include important safety information about installation, usage, and maintenance.



- Always connect the product to a grounded circuit to avoid the risk of electrocution.
- Always disconnect the product from the power source before cleaning or replacing the fuse.
- Avoid direct eye exposure to the light source while the product is on.
- Make sure the power cord is not crimped or damaged.
- Never disconnect the product from power cord by pulling or tugging on the cord.
- If mounting the product overhead, make sure there is adequate support for the product's weight, and always secure to a fastening device using a safety cable.
- Make sure there are no flammable materials close to the product when operating.
- Do not touch the product's housing when operating because it may be very hot.



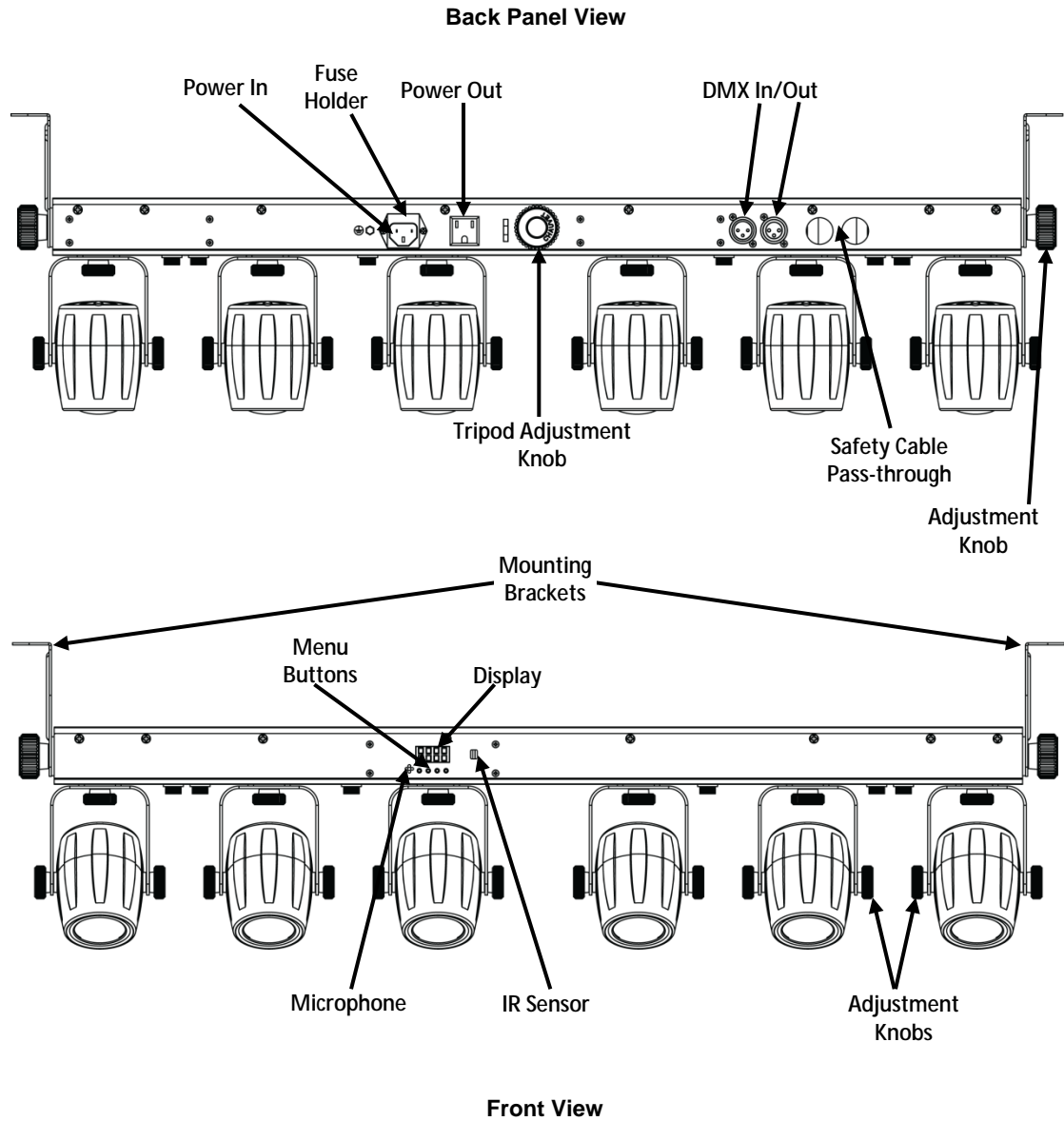
- The product is not intended for permanent installation.
- Always make sure that the voltage of the outlet to which you are connecting the product is within the range stated on the decal or rear panel of the product.
- The product is for indoor use only! (IP20) To prevent risk of fire or shock, do not expose the product to rain or moisture.
- Always install the product in a location with adequate ventilation, at least 20 in (50 cm) from adjacent surfaces.
- Be sure that no ventilation slots on the product's housing are blocked.
- Never connect the product to a dimmer or rheostat.
- Make sure to replace the fuse with another of the same type and rating.
- Never carry the product from the power cord or any moving part. Always use the hanging/mounting bracket.
- The maximum ambient temperature (Ta) is 104 °F (40 °C). Do not operate the product at higher temperatures.
- In the event of a serious operating problem, stop using the product immediately.
- Never try to repair the product. Repairs carried out by unskilled people can lead to damage or malfunction. Please contact the nearest authorized technical assistance center.
- To eliminate unnecessary wear and improve its lifespan, during periods of non-use completely disconnect the product from power via breaker or by unplugging it.



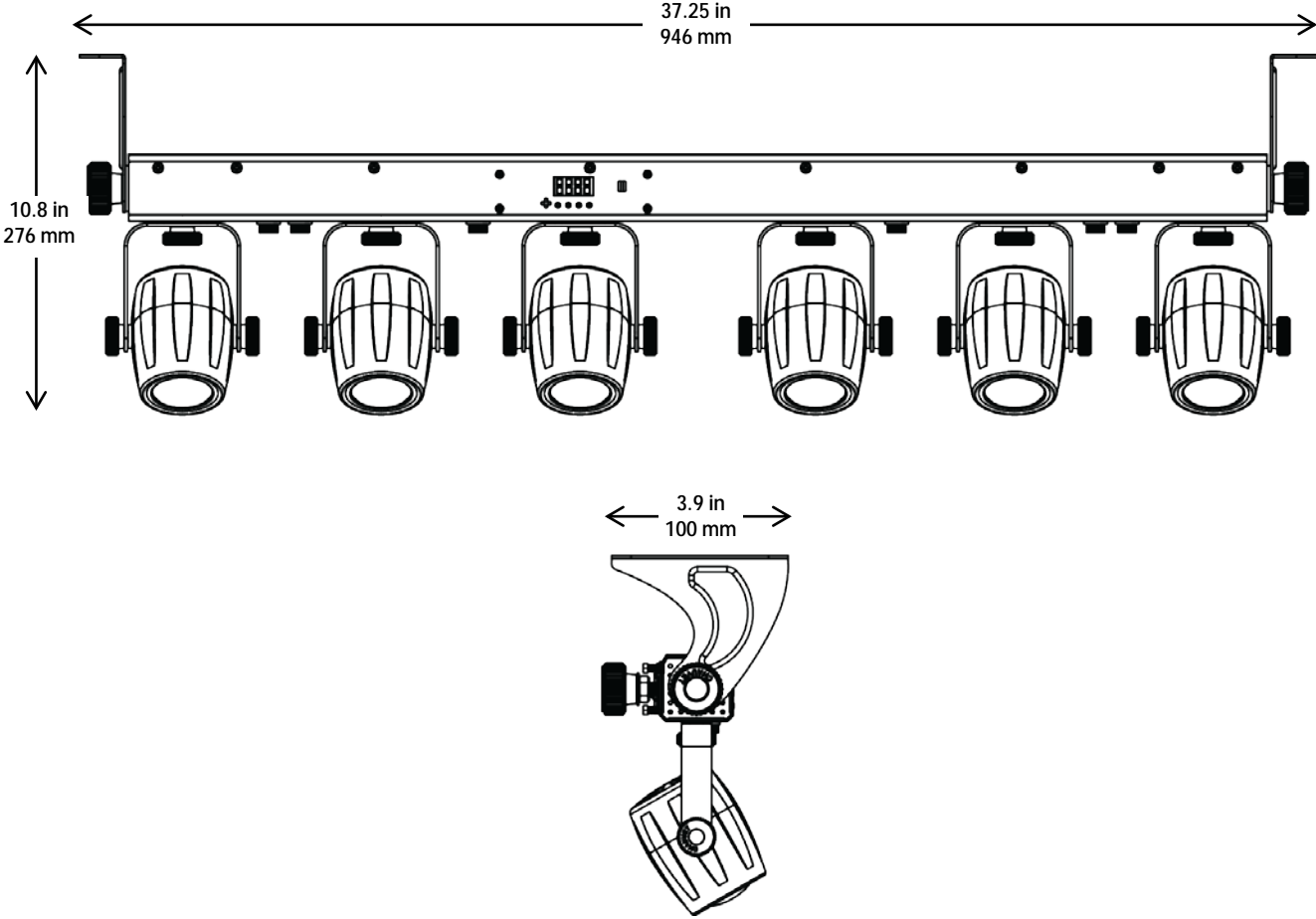
- Keep this User Manual for future use. If you sell the product to someone else, be sure that they also receive this document.

2. INTRODUCTION

Product Overview



Product Dimensions



3. SETUP

AC Power

The 6SPOT™ Quad IRC has an auto-ranging power supply and it can work with an input voltage range of 100 to 240 VAC, 50/60 Hz. To determine the product's power requirements (circuit breaker, power outlet, and wiring), use the current value listed on the label affixed to the product's back panel, or refer to the product's specifications chart. The listed current rating indicates the product's average current draw under normal conditions.



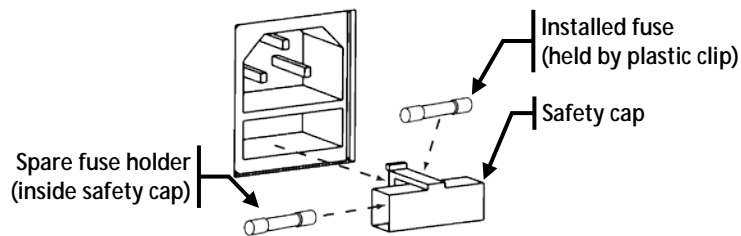
- **Always connect the product to a protected circuit (circuit breaker or fuse). Make sure the product has an appropriate electrical ground to avoid the risk of electrocution or fire.**
- **To eliminate unnecessary wear and improve its lifespan, during periods of non-use completely disconnect the product from power via breaker or by unplugging it.**



Never connect the product to a rheostat (variable resistor) or dimmer circuit, even if the rheostat or dimmer channel serves only as a 0 to 100% switch.

Fuse Replacement

1. Wedge the tip of a flat-head screwdriver into the slot of the fuse holder.
2. Pry the fuse holder out of the housing.
3. Remove the blown fuse from the holder and replace with a fuse of the exact same type and rating.
4. Insert the fuse holder back in place and reconnect power.

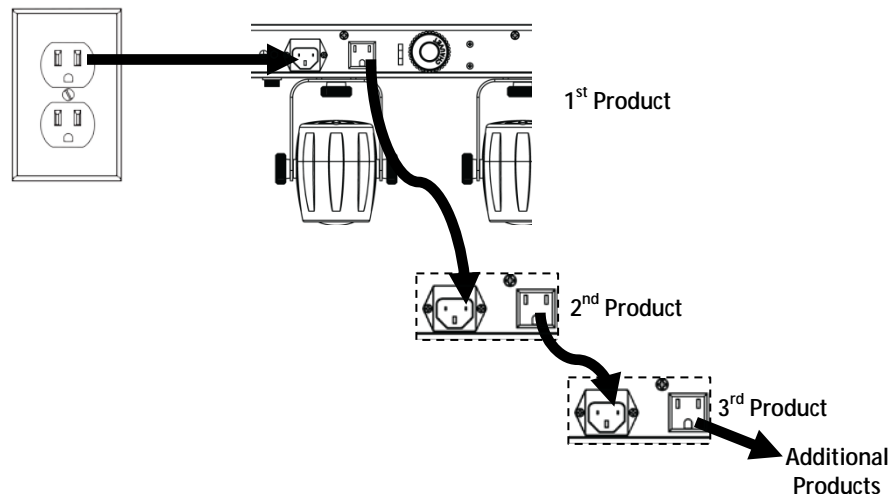


Disconnect the product from the power outlet before replacing the fuse.

Power Linking

The product provides power linking via the Edison outlet located in the back of the unit. Please see the diagram below for further explanation.

Power Linking Diagram



You can power link up to 9 6SPOT™ Quad IRC units on 120 VAC or up to 18 6SPOT™ Quad IRC units on 230 VAC.



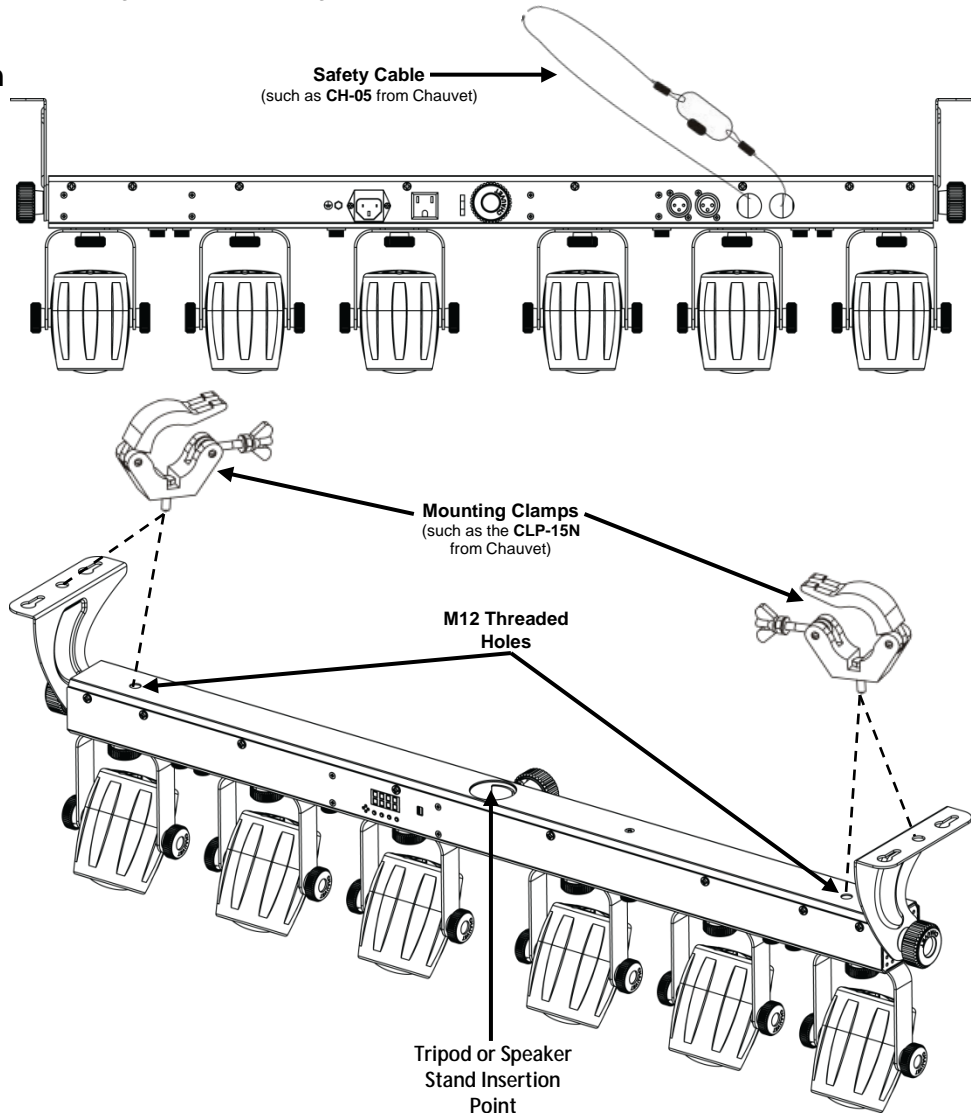
The power linking diagram corresponds to the North American version of the product ONLY! If using the product in other markets, you must consult with the local Chauvet distributor as power linking connectors and requirements may differ in your country or region.

Mounting Before mounting the product, read and follow the safety recommendations indicated in the [Safety Notes](#).

Orientation The 6SPOT™ Quad IRC may be mounted in any position; however, make sure adequate ventilation is provided around the product.

- Rigging**
- Before deciding on a location for the product, always make sure there is easy access to the product for maintenance and programming purposes.
 - Make sure that the structure onto which you are mounting the product can support the product's weight. See the [Technical Specifications](#) for weight information.
 - When mounting the product overhead, always use a safety cable. Mount the product securely to a rigging point, whether an elevated platform or a truss.
 - When rigging the product onto a truss, use a mounting clamp of appropriate weight capacity.
 - When power linking multiple products, mount the products close enough for power linking cables to reach.
 - The bracket adjustment knobs allow for directional adjustment when aiming the product to the desired angle. Only loosen or tighten the bracket knobs manually. Using tools could damage the knobs.

Mounting Diagram



4. OPERATION

Control Panel Operation

To access the control panel functions, use the four buttons located underneath the display. Please refer to the [Product Overview](#) to see the button locations on the control panel.

Button	Function
<MENU>	Press to find an operation mode or to back out of the current menu option
<UP>	Press to scroll up the list of options or to find a higher value
<DOWN>	Press to scroll down the list of options or to find a lower value
<ENTER>	Press to activate a menu option or a selected value

Menu Map

Mode	Programming Steps	Description
DMX Mode	4-CH	d 1–d512 Selects the DMX Personality and the DMX starting address
	10CH	
	28CH	
Static Color Mode	C--	C 1–C 15 Selects 1 of 15 static colors
Auto Program Mode	P--	P 1–P 10 Selects 1 of 10 auto program
Program Speed	S--	S 1–S100 Sets auto program speed (slow to fast)
Sound-Active Mode	Snd Selects Sound-Active mode	
Sound Sensitivity	SenS	u 0–u100 Sets the sound sensitivity
Custom Color Mixing Mode	U--	r 0–r255 Red (0–100%)
		g 0–g255 Green (0–100%)
		b 0–b255 Blue (0–100%)
		w 0–w255 White (0–100%)
Infrared Mode	SET	ON Turns infrared on or off
		OFF

DMX Linking

The 6SPOT™ Quad IRC works with a DMX controller. Information about DMX is in the CHAUVET® DMX Primer, which is available from the Chauvet website http://www.chauvetlighting.com/downloads/DMX_Primer_rev05_WO.pdf.

Configuration (DMX)

Set the product in DMX mode to control with a DMX controller.

1. Connect the product to a suitable power outlet.
2. Connect a DMX cable from the DMX output of the DMX controller to the DMX input socket on the product.

DMX Personality and Starting Address

When selecting a starting DMX address, always consider the number of DMX channels the selected DMX mode uses. If you choose a starting address that is too high, you could restrict the access to some of the product's channels.

The 6SPOT™ Quad IRC uses up to 28 DMX channels, which defines the highest configurable address to **485**.

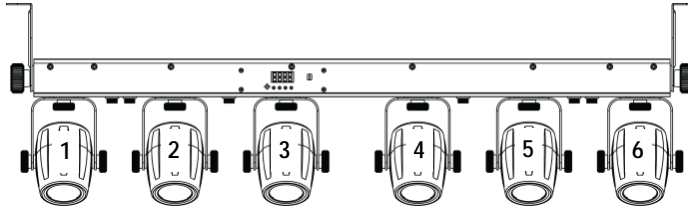
If you are not familiar with the DMX protocol, download the DMX Primer from www.chauvetlighting.com.

To select the starting address, do the following:

1. Press <MENU> repeatedly until **4-CH**, **10CH**, or **28CH** shows on the display.
2. Press <ENTER> when the desired personality is selected, and **d 1–d512** will show on the display.
3. Use <UP> or <DOWN> to select the starting address.
4. Press <ENTER>.

DMX Channel Assignments and Values

6SPOT™ Quad IRC Zones for DMX Control



28CH	Channel	Function	Value	Percent/Setting
	1	Red 1	000◊ 255	0-100%
	2	Green 1	000◊ 255	0-100%
	3	Blue 1	000◊ 255	0-100%
	4	White 1	000◊ 255	0-100%
	5	Red 2	000◊ 255	0-100%
	6	Green 2	000◊ 255	0-100%
	7	Blue 2	000◊ 255	0-100%
	8	White 2	000◊ 255	0-100%
	9	Red 3	000◊ 255	0-100%
	10	Green 3	000◊ 255	0-100%
	11	Blue 3	000◊ 255	0-100%
	12	White 3	000◊ 255	0-100%
	13	Red 4	000◊ 255	0-100%
	14	Green 4	000◊ 255	0-100%
	15	Blue 4	000◊ 255	0-100%
	16	White 4	000◊ 255	0-100%
	17	Red 5	000◊ 255	0-100%
	18	Green 5	000◊ 255	0-100%
	19	Blue 5	000◊ 255	0-100%
	20	White 5	000◊ 255	0-100%
	21	Red 6	000◊ 255	0-100%
	22	Green 6	000◊ 255	0-100%
	23	Blue 6	000◊ 255	0-100%
	24	White 6	000◊ 255	0-100%

28CH (cont.)	Channel	Function	Value	Percent/Setting
	25	Auto Programs	000○ 010	No function
			011○ 032	Auto 1
			033○ 054	Auto 2
			055○ 076	Auto 3
			077○ 098	Auto 4
			099○ 120	Auto 5
			121○ 142	Auto 6
			143○ 164	Auto 7
			165○ 186	Auto 8
			187○ 208	Auto 9
			209○ 230	Auto 10
			231○ 250	Auto 0 (runs Auto 1–10)
			251○ 255	Sound-Active
	26	Speed/Sensitivity	000○ 255	Controls auto program speed (slow to fast), or sound sensitivity when CH. 25 is 251–255
	27	Dimmer	000○ 255	0–100%
	28	Shutter	000○ 255	0–100%

10CH	Channel	Function	Value	Percent/Setting
	1	Zone 1	000○ 010	No function
			011○ 027	Red
			028○ 044	Green
			045○ 061	Blue
			062○ 078	White
			079○ 095	Green + Blue
			096○ 113	Red + Blue
			114○ 130	Red + Green
			131○ 146	Red + Green + Blue
			147○ 163	Red+ White
			164○ 180	Green + White
			181○ 197	Blue + White
			198○ 214	Red + Green + White
			215○ 231	Red + Blue + White
			232○ 248	Green + Blue + White
			249○ 255	Red + Green + Blue + White

**10CH
(cont.)**

Channel	Function	Value	Percent/Setting
2	Zone 2	000ó 010	No function
		011ó 027	Red
		028ó 044	Green
		045ó 061	Blue
		062ó 078	White
		079ó 095	Green + Blue
		096ó 113	Red + Blue
		114ó 130	Red + Green
		131ó 146	Red + Green + Blue
		147ó 163	Red+ White
		164ó 180	Green + White
		181ó 197	Blue + White
		198ó 214	Red + Green + White
		215ó 231	Red + Blue + White
		232ó 248	Green + Blue + White
249ó 255	Red + Green + Blue + White		
3	Zone 3	000ó 010	No function
		011ó 027	Red
		028ó 044	Green
		045ó 061	Blue
		062ó 078	White
		079ó 095	Green + Blue
		096ó 113	Red + Blue
		114ó 130	Red + Green
		131ó 146	Red + Green + Blue
		147ó 163	Red+ White
		164ó 180	Green + White
		181ó 197	Blue + White
		198ó 214	Red + Green + White
		215ó 231	Red + Blue + White
		232ó 248	Green + Blue + White
249ó 255	Red + Green + Blue + White		

**10CH
(cont.)**

Channel	Function	Value	Percent/Setting
4	Zone 4	000 010	No function
		011 027	Red
		028 044	Green
		045 061	Blue
		062 078	White
		079 095	Green + Blue
		096 113	Red + Blue
		114 130	Red + Green
		131 146	Red + Green + Blue
		147 163	Red+ White
		164 180	Green + White
		181 197	Blue + White
		198 214	Red + Green + White
		215 231	Red + Blue + White
		232 248	Green + Blue + White
249 255	Red + Green + Blue + White		
5	Zone 5	000 010	No function
		011 027	Red
		028 044	Green
		045 061	Blue
		062 078	White
		079 095	Green + Blue
		096 113	Red + Blue
		114 130	Red + Green
		131 146	Red + Green + Blue
		147 163	Red+ White
		164 180	Green + White
		181 197	Blue + White
		198 214	Red + Green + White
		215 231	Red + Blue + White
		232 248	Green + Blue + White
249 255	Red + Green + Blue + White		

**10CH
(cont.)**

Channel	Function	Value	Percent/Setting
6	Zone 6	000○ 010	No function
		011○ 027	Red
		028○ 044	Green
		045○ 061	Blue
		062○ 078	White
		079○ 095	Green + Blue
		096○ 113	Red + Blue
		114○ 130	Red + Green
		131○ 146	Red + Green + Blue
		147○ 163	Red+ White
		164○ 180	Green + White
		181○ 197	Blue + White
		198○ 214	Red + Green + White
		215○ 231	Red + Blue + White
		232○ 248	Green + Blue + White
249○ 255	Red + Green + Blue + White		
7	Strobe	000○ 010	No function
		011○ 255	1–30 Hz, slow to fast
8	Auto Programs	000○ 010	No function
		011○ 032	Auto 1
		033○ 054	Auto 2
		055○ 076	Auto 3
		077○ 098	Auto 4
		099○ 120	Auto 5
		121○ 142	Auto 6
		143○ 164	Auto 7
		165○ 186	Auto 8
		187○ 208	Auto 9
		209○ 230	Auto 10
		231○ 250	Auto 0 (runs Auto 1–10)
		251○ 255	Sound-Active
9	Speed	000○ 255	Controls auto program speed (slow to fast), or sound sensitivity when CH. 8 is 251–255
10	Dimmer	000○ 255	0–100%

4-CH

Channel	Function	Value	Percent/Setting
1	Red	000○ 255	0–100%
2	Green	000○ 255	0–100%
3	Blue	000○ 255	0–100%
4	White	000○ 255	0–100%

Configuration (Standalone)

Set the product in one of the standalone modes to control without a DMX controller.

- Connect the product to a suitable power outlet.



Never connect a product that is operating in any standalone mode to a DMX string connected to a DMX controller. Products in standalone mode may transmit DMX signals that could interfere with the DMX signals from the controller.

Static Color Mode

To run the 6SPOT™ Quad IRC in static-color mode, follow the instructions below:

1. Press **<MENU>** repeatedly until **C--** shows on the display.
2. Press **<ENTER>** and **C 1–C15** will show on the display.
3. Use **<UP>** or **<DOWN>** to select the desired color.
4. Press **<ENTER>**.

Auto Program Mode

To run the 6SPOT™ Quad IRC in automatic mode, follow the instructions below:

1. Press **<MENU>** repeatedly until **P--** shows on the display.
2. Press **<ENTER>** and **P 1–P10** will show on the display.
3. Use **<UP>** or **<DOWN>** to select the desired program.
4. Press **<ENTER>**.

Program Speed

To adjust the auto program speed, follow the instructions below:

1. Press **<MENU>** repeatedly until **S--** shows on the display.
2. Press **<UP>** or **<DOWN>** and **S 1–S100** will show on the display.
3. Use **<UP>** or **<DOWN>** to increase or decrease the program speed.
4. Press **<ENTER>** at the desired speed to set it and return to Auto Program mode.

Sound-Active Mode

To run the 6SPOT™ Quad IRC in sound-active mode, do the following:

1. Press **<MENU>** repeatedly until **Snd** shows on the display.
2. Press **<ENTER>**.



The product will only respond to low frequencies of music (bass and drums).

Sound Sensitivity

To adjust the sound sensitivity, follow the instructions below:

1. Press **<MENU>** repeatedly until **SenS** shows on the display.
2. Press **<UP>** or **<DOWN>** and **u 1–u100** will show on the display.
3. Use **<UP>** or **<DOWN>** to increase or decrease the sound sensitivity.
4. Press **<ENTER>** when the product responds to the beat of the music to set the sensitivity and return to Sound-Active mode.

Custom Color Mixing Mode

To custom mix a color, follow the instructions below:

1. Press **<MENU>** repeatedly until **U--** shows on the display.
2. Press **<ENTER>** and one of the following will show on the display:
 - **rxxx** (red, 0-255)
 - **gxxx** (green, 0-255)
 - **bxxx** (blue, 0-255)
 - **wxxx** (white, 0-255)
3. Press **<ENTER>** to cycle through the color settings
4. Use **<UP>** or **<DOWN>** to increase or decrease the selected color value.
NOTE: Selecting **0** will turn the color off.
5. Repeat steps 3 and 4 until you have your desired color.

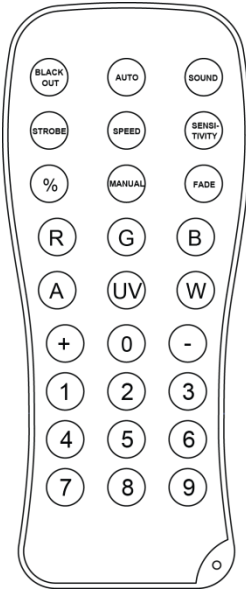
IRC-6 Infrared Remote Control

The 6SPOT™ Quad IRC is compatible with the IRC-6 infrared remote control from Chauvet.

To run the 6SPOT™ Quad IRC in Infrared mode, do the following:

1. Press **<MENU>** repeatedly until **SET** shows on the display.
2. Press **<ENTER>**.
3. Use **<UP>** or **<DOWN>** to select either:
 - **ON** to set the product to respond to the IRC-6 remote.
 - **OFF** to set the product to not respond to the IRC-6 remote.
4. Press **<ENTER>**.

IRC-6 Operation



Be sure the IRC-6 remote is pointing directly at the product and there is nothing in between the remote and the product.

The following buttons function with this product:

- **<BLACK OUT>** - Turns LEDs on/off
- **<STROBE>** - Activates Strobe
- **<AUTO>** - Activates Auto Program mode, **P 1–P 10**
- **<SPEED>** - Activates speed control in auto program mode
NOTE: For strobe speed, do not press the speed button
- **<SOUND>** - Activates Sound mode
- **<SENSITIVITY>** - Activates sensitivity control in sound-active mode
- **<MANUAL>** - Activates Custom Color Mixing mode
- **<R>** - Selects red to be increased or decreased
- **<G>** - Selects green to be increased or decreased
- **** - Selects blue to be increased or decreased
- **<W>** - Selects white to be increased or decreased
- **<+>** - Increases selected value or strobe speed
- **<->** - Decreases selected value or strobe speed
- **Number Buttons:**

<0> - White	<5> - Cyan
<1> - Red	<6> - Blue
<2> - Orange	<7> - Magenta
<3> - Yellow	<8> - Pink
<4> - Green	<9> - Amber
- All other buttons have no function with this product

The IRC-6 will not respond to any inputs when Black Out is activated. If the remote does not respond when a button is pressed, try pressing <BLACK OUT>. You may have inadvertently activated Black Out.

Master/Slave Mode

The Master/Slave mode allows a single 6SPOT™ Quad IRC (the master) to control the actions of one or more 6SPOT™ Quad IRC products (the slaves) without the need of a DMX controller. The master will be set to operate in either Custom or Sound-Active mode, or an auto program, while the slave units will be set to operate in Slave mode. Once set and connected, the slaves will operate in unison with the master unit.

Configure the units as indicated below.

Slave units:

1. Press **<MENU>** repeatedly until one of the DMX modes shows on the display.
2. Press **<ENTER>** and **d 1–d51** will show on the display.
3. Use **<UP>** or **<DOWN>** to set the DMX address to **d 1**.
4. Connect the DMX input of the first slave unit to the DMX output of the master.
5. Connect the DMX input of the subsequent slaves to the DMX output of the previous slave.
6. Finish setting and connecting all the slaves.

Master unit:

1. Set the master to operate in Custom, Auto, or Sound mode.
2. Make the master unit the first unit in the daisy chain.



- **Configure all the slave units before connecting the master to the daisy chain.**
- **Never connect a DMX controller to a DMX string configured for Master/Slave operation because the controller may interfere with the signals from the master.**
- **Do not connect more than 31 slaves to the master.**

5. MAINTENANCE

Product Maintenance

Dust build-up reduces light output performance and can cause overheating. This can lead to reduction of the light source's life and/or mechanical wear. To maintain optimum performance and minimize wear, clean your lighting products at least twice a month. However, be aware that usage and environmental conditions could be contributing factors to increase the cleaning frequency.

To clean the product, follow the instructions below:

1. Unplug the product from power.
2. Wait until the product is at room temperature.
3. Use a vacuum (or dry compressed air) and a soft brush to remove dust collected on the external surface/vents.
4. Clean all transparent surfaces with a mild soap solution, ammonia-free glass cleaner, or isopropyl alcohol.
5. Apply the solution directly to a soft, lint free cotton cloth or a lens cleaning tissue.
6. Softly drag any dirt or grime to the outside of the transparent surface.
7. Gently polish the transparent surfaces until they are free of haze and lint.



Always dry the transparent surfaces carefully after cleaning them.

6. TECHNICAL SPECIFICATIONS

Dimensions and Weight	Length	Width	Height	Weight
	37.25 in (946 mm)	3.9 in (100 mm)	10.8 in (276 mm)	11.6 lb (5.3 kg)
Note: Dimensions in inches rounded to the nearest decimal digit.				
Power	Power Supply Type	Range	Voltage Selection	
	Switching (internal)	100 to 240 VAC, 50/60 Hz	Auto-ranging	
	Parameter	120 V, 60 Hz	230 V, 50 Hz	
	Consumption	55 W	54 W	
	Operating Current	0.8 A	0.4 A	
	Power linking current (units)	8 A (9 units)	8 A (18 units)	
	Fuse	T 1 A, 250 V	T 1 A, 250 V	
	Power I/O	U.S./Worldwide	UK/Europe	
	Power input connector	IEC	IEC	
	Power output connector	Edison	IEC	
Power Cord plug	Edison (U.S.)	Local plug		
Light Source	Type	Power	Lifespan	
	LED	6.3 W	50,000 hours	
	Color	Quantity	Current	
	Quad-color RGBW	6	2 A	
Photometrics	Parameter			
	Beam angle	15°		
	Strobe Rate	0 to 33 Hz		
	Illuminance	483 lux @ 2m (per pod)		
Thermal	Maximum External Temp.	Cooling System		
	104 °F (40 °C)	Convection		
DMX	I/O Connectors	Channel Range		
	3-pin XLR	4, 10 or 28		
Ordering	Product Name	Item Code	UPC Number	
	6SPOT™ Quad IRC	03030870	781462212186	



RETURNS

In case you need to get support or return a product:

- If you are located in the U.S., contact Chauvet World Headquarters (see [Contact Us](#)).
- If you are located in the UK or Ireland, contact Chauvet Europe Ltd. (see [Contact Us](#)).
- If you are located in Mexico, contact Chauvet Mexico (see [Contact Us](#)).
- If you are located in Benelux, contact Chauvet Europe BVBA (see [Contact Us](#)).
- If you are located in any other country, DO NOT contact Chauvet. Instead, contact your local distributor. See www.chauvetlighting.com for distributors outside the U.S., UK, Ireland, Mexico, or Benelux.



If you are located outside the U.S., UK, Ireland, Mexico, or Benelux, contact your distributor of record and follow their instructions on how to return Chauvet products to them. Visit our website www.chauvetlighting.com for contact details.

Call the corresponding Chauvet Technical Support office and request a Return Merchandise Authorization (RMA) number before shipping the product. Be prepared to provide the model number, serial number, and a brief description of the cause for the return.

Send the merchandise prepaid, in its original box, and with its original packing and accessories. Chauvet will not issue call tags.

Clearly label the package with the RMA number. Chauvet will refuse any product returned without an RMA number.



Write the RMA number on a properly affixed label. DO NOT write the RMA number directly on the box.

Before sending the product, clearly write the following information on a piece of paper and place it inside the box:

- Your name
- Your address
- Your phone number
- RMA number
- A brief description of the problem

Be sure to pack the product properly. Any shipping damage resulting from inadequate packaging will be your responsibility. FedEx packing or double-boxing are recommended.



Chauvet reserves the right to use its own discretion to repair or replace returned product(s).

CONTACT US

WORLD HEADQUARTERS - Chauvet

General Information

Address: 5200 NW 108th Avenue
Sunrise, FL 33351
Voice: (954) 577-4455
Fax: (954) 929-5560
Toll free: (800) 762-1084

Technical Support

Voice: (954) 577-4455 (Press 4)
Fax: (954) 756-8015
Email: tech@chauvetlighting.com

World Wide Web www.chauvetlighting.com

UNITED KINGDOM AND IRELAND - Chauvet Europe Ltd.

General Information

Address: Unit 1C
Brookhill Road Industrial
Estate
Pinxton, Nottingham, UK
NG16 6NT
Voice: +44 (0)1773 511115
Fax: +44 (0)1773 511110

Technical Support

Email: uktech@chauvetlighting.com

World Wide Web www.chauvetlighting.co.uk

MEXICO - Chauvet Mexico

General Information

Address: Av. Santa Ana 30
Parque Industrial Lerma
Lerma, Mexico C.P. 52000
Voice: +52 (728) 285-5000

Technical Support

Email: servicio@chauvet.com.mx

World Wide Web www.chauvet.com.mx

CHAUVET EUROPE - Chauvet Europe BVBA

General Information

Address: Stokstraat 18
9770 Kruishoutem
Belgium
Voice: +32 9 388 93 97

Technical Support

Email: Eutech@chauvetlighting.eu

World Wide Web www.chauvetlighting.eu

Outside the U.S., United Kingdom, Ireland, Mexico, or Benelux contact your dealer. Follow their instructions to request support or to return a product. Visit our website for contact details.