

capello™



# Stand & Charge USB Charging Station

with Dual Alarm Clock

Charge 3 mobile phones, tablets  
& digital cameras including iPhone,  
iPod, iPad and Android devices

Keeps cables organized

CR220 user guide



## CAUTION

RISK OF ELECTRIC SHOCK  
DO NOT OPEN



**CAUTION:** TO REDUCE THE RISK OF ELECTRIC SHOCK, DO NOT REMOVE COVER (OR BACK). NO USER-SERVICEABLE PARTS INSIDE. REFER SERVICING TO QUALIFIED SERVICE PERSONNEL.



**DANGEROUS VOLTAGE:** The lightning flash with arrowhead symbol, within an equilateral triangle is intended to alert the user to the presence of uninsulated dangerous voltage within the product's enclosure that may be of sufficient magnitude to constitute a risk of electric shock to persons.



**ATTENTION:** The exclamation point within an equilateral triangle is intended to alert the user to the presence of important operating and maintenance (servicing) instructions in the literature accompanying the appliance.

**FCC WARNING:** This equipment may generate or use radio frequency energy. Changes or modifications to this equipment may cause harmful interference unless the modifications are expressly approved in the instruction manual. The user could lose the authority to operate this equipment if an unauthorized change or modification is made.

**ATTENTION:** POUR ÉVITER LES CHOC ÉLECTRIQUES, INTRODUIRE LA LAME LA PLUS LARGE DE LA FICHE DANS LA BORNE CORRESPONDANTE DE LA PRISES ET POUSSER JUSQU'AU FOND.

**NOTE:** This equipment has been tested and found to comply with the limits for a Class B digital device, pursuant to part 15 of the FCC Rules. These limits are designed to provide reasonable protection against harmful interference in a residential installation. This equipment generates, uses and can radiate radio frequency energy and, if not installed and used in accordance with the instructions, may cause harmful interference to radio communications. However, there is no guarantee that interference will not occur in a particular installation. If this equipment does cause harmful interference to radio or television reception, which can be determined by turning the equipment off and on, the user is encouraged to try to correct the interference by one or more of the following measures:

- Reorient or relocate the receiving antenna.
- Increase the separation between the equipment and receiver.
- Connect the equipment into an outlet on a circuit different from that to which the receiver is connected.
- Consult the dealer or an experienced radio/TV technician for help.

**Compliance information:** This device complies with Part 15 of the FCC Rules. Operation is subject to the following two conditions: (1) this device may not cause harmful interference, and (2) this device must accept any interference received, including interference that may cause undesired operation.

**WARNING: TO PREVENT FIRE OR SHOCK HAZARD, DO NOT EXPOSE THIS UNIT TO RAIN OR MOISTURE.**

**SURGE PROTECTORS:** It is recommended to use a surge protector for AC connection. Lightning and power surges ARE NOT covered under warranty for this product.

This Class B digital apparatus complies with Canadian ICES-003. Cet appareil numérique de la classe B est conforme à la norme NMB-003 du Canada.

# SAFETY PRECAUTIONS

- a. Do not expose this unit or the AC/DC adaptor to dripping or splashing water. Keep liquid-filled objects such as vases, away from this unit and AC/DC adaptor.
- b. To ensure that this unit is completely disconnected, unplug it from the wall.
- c. Ensure that the AC/DC adaptor is easily accessible.
- d. Please note the information printed underneath the unit.
- e. Batteries should not be exposed to excessive heat such as direct sunshine, fire, etc.
- f. Do not impede the ventilation of this unit by covering the ventilation openings with items such as newspapers, table-cloths, curtains, etc.
- g. Keep open flames, such as lighted candles, away from this unit.
- h. Do not place this unit in closed bookcases, racks, or other spaces without proper ventilation.
- i. Use only the same or equivalent type batteries as there is a danger of explosion if the incorrect batteries are used or they are installed incorrectly.
- j. Dispose of batteries properly according to environmental regulations.



## inside the box

CR220 Digital FM clock radio, AC power adapter, user guide, a set of cable spool and cable clip.

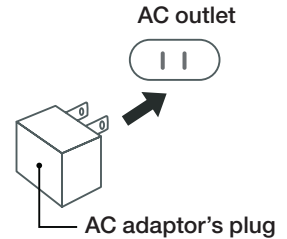


## power source

### ac connection

Insert the small end of the AC adaptor into the DC In Jack (located on the rear of the unit).  
Connect the other end to a wall outlet providing 100-240V AC, 50/60 Hz.  
The output of the provided AC/DC Adaptor is DC 5V 3A.

**notes:** Disconnect both ends of the power cord when not in use. Use only the supplied AC adaptor with the following specs: AC In - 100-240V AC, 50/60Hz / DC Out - 5V 3A



## adjusting the volume

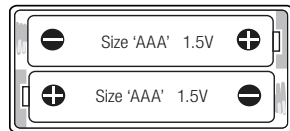
Press the VOL UP or VOL DOWN button to increase or decrease the volume to a safe listening level.



## inserting batteries

Two (2) 'AAA' size batteries are used to back-up the clock, alarm time and preset memories if the AC/DC adapter is disconnected or there is a power failure.

- 1 Open the battery door by pushing in on the tabs, then removing the door.
- 2 Insert two (2) 'AAA' batteries as shown. Alkaline batteries are recommended for the longest playing time.
- 3 Replace the battery door back on the compartment.



**note:** The batteries are used to backup the clock and alarm times when the AC adaptor is disconnected or there is a power failure.

The battery indicator will appear and flash in the display when there are no batteries or when the batteries are low and need to be replaced. When replacing the battery, do not disconnect the AC power adapter otherwise the current time, alarm, and station presets will be erased.

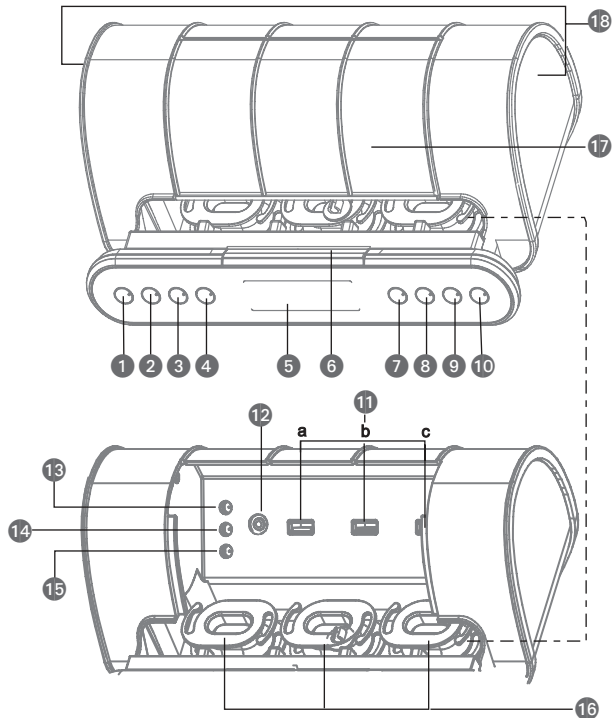


### battery precautions:

Follow these precautions when using batteries in this device:

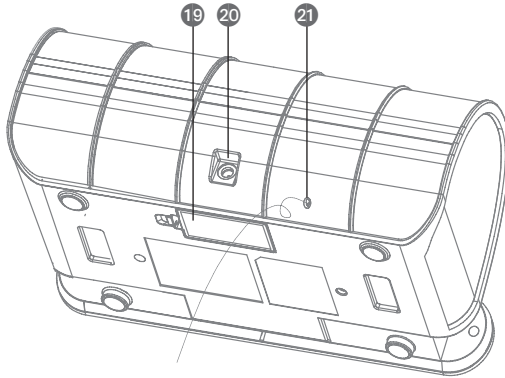
- 1 Warning - Danger of explosion if batteries are incorrectly replaced. Replace only with the same or equivalent type.
- 2 Use only the size and type of batteries specified.
- 3 Be sure to follow the correct polarity when installing the batteries as indicated. A reversed battery may cause damage to the device.
- 4 Do not mix different types of batteries together (e.g. Alkaline, Rechargeable and Carbon-zinc) or old batteries with fresh ones.
- 5 If the device is not to be used for a long period of time, remove the batteries to prevent damage or injury from possible battery leakage.
- 6 Do not try to recharge a battery not intended to be recharged - it can overheat and rupture. (Follow battery manufacturer's directions)

# location of controls



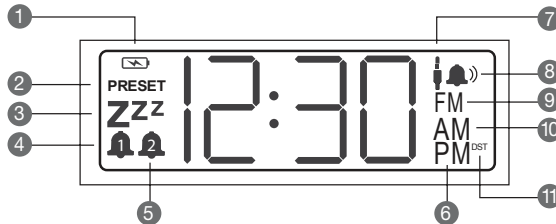
- ① Power Button
- ② Alarm 1 Button
- ③ Alarm 2 Button
- ④ Preset Button
- ⑤ LCD Display
- ⑥ Snooze Button
- ⑦ Volume / Brightness Down Button
- ⑧ Volume / Brightness Up Button
- ⑨ Tuning Down / Min Button
- ⑩ Tuning Up / Hour Button
- ⑪ Triple USB Charging Ports
- ⑫ 3.5mm Line in Jack
- ⑬ DST Button
- ⑭ Time Zone Button
- ⑮ Clock Set Button
- ⑯ Cord Management System
- ⑰ Cover
- ⑱ Stereo Speaker

# location of controls (con't)



- 19 Battery Compartment
- 20 DC Power In Jack
- 21 Wire Antenna

# LCD display



- 1 Low Battery
- 2 Preset
- 3 Snooze
- 4 Alarm 1
- 5 Alarm 2
- 6 PM
- 7 AUX In
- 8 Buzzer
- 9 FM radio
- 10 AM
- 11 DST (Daylight Savings Time)





## playing the radio

Press the POWER BUTTON to switch the unit ON. There are multiple methods to select the station of your choice.

- 1 **Preset tuning mode:** Press the PRESET BUTTON repeatedly to select the desired preset (P01 to P10).
- 2 **Scanning mode:** Press and hold < or > to scan through the frequency bands; scanning starts from the currently-tuned station and stops when a station is received.
- 3 **Manual tuning mode:** Repeatedly press TUNE < or > to manually move through the frequency bands.

**notes:** When the unit turns ON, it is always on radio mode as default if no Line in audio cable is connected.

## radio presets

- 1 To set a radio preset, first follow the steps in the previous section to tune a station. Then press and hold the PRESET button to create a preset for the current station. "P" and "# #" (the preset number) will blink on the display.
- 2 Press the TUNE UP or TUNE DOWN button to select a preset number (01-10). Press the PRESET button again to confirm the setting and the station will be saved into memory. Repeat these steps for up to 10 presets, as desired.
- 3 Repeatedly press the PRESET button until the desired preset number appears in the display and the unit tunes to the station.

**notes:** Setting a new station preset will replace the previously stored station on that preset number.

## improving the reception

Fully extend the FM wire antenna to increase reception sensitivity.

**notes:** Keep digital music players or mobile phones away from the FM antenna as this may cause interference. Do not place the FM antenna near the AC power adaptor as this may lead to reception interference.



## triple USB charging ports

This unit includes three USB ports placed inside the Cover (see "location of controls"). The USB ports support powering and charging most devices including iPhones, iPads, iPods, Android devices, E-readers, digital cameras and more. (USB cables sold separately).

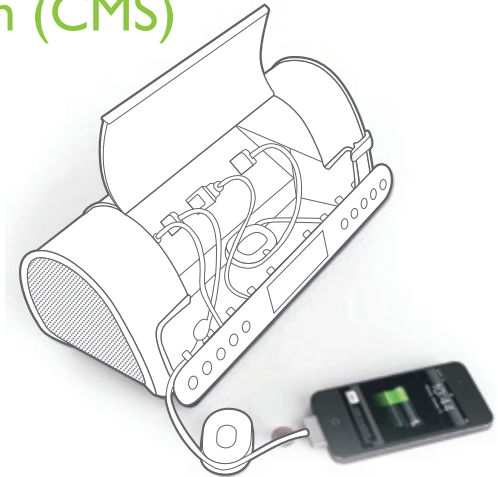
One of USB port supply 5V/1A quick charging (see " location of controls" 11c).

The other two USB ports supply 5V/0.5A charging (see "location of controls" 11a&b).



## cord management system (CMS)

This unit also includes three built-in cord management system (see "location of controls"). This feature is designed to store excess lengths of cables by wrapping them around the CMS to keep cables neat and organized.





## setting the alarm

- 1 Press & hold the ALARM 1 or ALARM 2 BUTTON, the alarm time will flash.
- 2 Press > to set the hour and press < to set the minute.
- 3 Press the ALARM 1 or ALARM 2 BUTTON to confirm the alarm time setting.
- 4 Press < or > to select the desired alarm source: Radio or Buzzer.
- 5 Press the ALARM 1 or ALARM 2 BUTTON to complete alarm sett ing. The ALARM 1 or ALARM 2 indicator will appear on the display.
- 6 To stop and deactivate the alarm, press the ALARM 1 or ALARM 2 BUTTON briefly. The ALARM 1 or ALARM 2 indicator will disappear on the display.

**notes:** Before setting the alarm, make sure that the clock is set correctly (see "Setting the clock"). To set the radio alarm, first tune to the desired station and adjust the volume (see "Playing the radio"). The alarm is set when the unit is on power OFF mode.

## snooze

- 1 When alarm is on... press the SNOOZE BUTTON to set the snooze time duration. The sound will turn off but will automatically come on again after about 10 minutes. Each time you press the SNOOZE BUTTON, the snooze time will change as follows:  
10 → 20 → 30 → 40 → 50 → 60
- 2 The maximum length of the snooze time is 60 minutes. The display will show the snooze time for about 3 seconds and then return to show the current time.
- 3 Press the SNOOZE BUTTON and the residual time will appear, press the SNOOZE BUTTON repeatedly to select the desired snooze time setting.

**notes:** Once the snooze function has been activated, the user can press the SNOOZE BUTTON anytime and the display will show the residual time



## setting the clock

- 1 Plug in the unit.
- 2 Press and hold the CLOCK SET BUTTON until the clock flashes in the display.
- 3 Press the TUNNING UP / HOUR BUTTON repeatedly to set the hour and press the TUNNING DOWN / MIN BUTTON repeatedly to set the minute.
- 4 Press the CLOCK SET BUTTON again to store the new clock setting.

## select daylight savings time

- 1 To activate the daylight savings time (summer time) adjustment, press the DST BUTTON.
- 2 The DST indicator will appear in the display and the time will be adjusted to daylight savings time (summer time).
- 3 To deactivate the daylight savings time (summer time) adjustment, press the DST BUTTON again.
- 4 The DST indicator will no longer appear in the display and the time will be adjusted back to regular time.



## select your time zone

- 1 Press the TIME ZONE BUTTON.

By default, area number "02" is displayed. If you live in the Eastern Standard Time zone, you do not need to adjust the setting.

Area number	Time zone	Area number	Time zone
01	Atlantic Standard/Daylight Time	05	Pacific Standard/Daylight Time
02 (default)	Eastern Standard/Daylight Time	06	Yukon Standard/Daylight Time
03	Central Standard/Daylight Time	07	Hawaiian Standard/Daylight Time
04	Mountain Standard/Daylight Time		

- 2 If you live in another time zone, press the TIME ZONE BUTTON repeatedly until the desired number appears. The display will return to the clock about 4 seconds after the operation is complete



## setting the display brightness

There are three levels of display brightness available (the default setting is High). With the unit Off, press the VOLUME / BRIGHTNESS UP BUTTON or VOLUME / BRIGHTNESS DOWN BUTTON to select the desired setting.

High (default) → Middle → Low  
↑ \_\_\_\_\_ ↓



## aux-in connection

- 1 Insert one end of the 3.5mm audio cable (not included) into the LINE OUT jack on your external audio device (e.g. iPad, iPod shuffle, mobile phone, MP3 player, digital media player, etc.) and the other end into the LINE IN jack on the unit.
- 2 To listen to the external audio unit, turn this unit on using the POWER button and turn on the external audio unit.
- 3 The unit will automatically switch to AUX mode when Line in audio cable is plugged in to the unit. The display will show "AUX In " indicator and the clock time. Sound from the external audio unit will be heard through this unit's speakers.
- 4 If you wish to listen to radio source, pull out the end of 3.5mm audio cable from AUX IN Jack, the unit will switch back to radio mode.

**notes:** When the Alarm wakes and set to FM source, at that time the unit doesn't switch to AUX mode even though you plug in the audio cable to this unit, until you stop the Alarm and power on the unit again, then will switch to AUX mode if audio cable is still connecting



# troubleshooting

symptom	cause	solutions
No Sound	Volume is set to minimum.	Increase volume.
Radio, no sound.	Power is not on.	Press the power button to turn the power on.
	Volume is set to minimum.	Increase volume.
Radio, poor sound.	Station is not tuned properly.	Retune the FM broadcast station.
	FM: Wire antenna is not extended.	Extend FM wire antenna.
Aux mode, no sound.	Incorrectly connected.	Check the connection.
	Volume is set to minimum.	Increase volume.
Time reset to "12:00"	Batteries connected improperly, not connected or dead.	Check the batteries.
	Clock not set	Set the clock.
Alarm does not turn on	Alarm is not activated or set properly	Set and activate alarm.
	Clock is not set	Set the clock.

## specifications

### general:

Power Source .....DC 5V 3A Adaptor (Center Positive)  
 AC Power Supply ..... 100 - 240V - 50/60Hz 1A  
 Battery Backup ..... 2 x 1.5V "AAA" size batteries  
 Speaker .....2 x 4 ohms  
 Output Power .....1.5 W X 2

### radio section:

Frequency Range (FM) .....87.5 - 108 MHz

*Specifications are subject to change without notice.*

capello™

For further assistance, please visit our website: [hellocapello.com](https://www.hellocapello.com)  
or contact customer service at [support@capelloproducts.com](mailto:support@capelloproducts.com) or **1-855-896-1795**

Life Lab International Ltd.