

# USER MANUAL

NAME: **GPS MOTORCYCLE TRACKER  
GPS + GSM + SMS / GPRS**

MODEL: **GT100**



**PLEASE READ THE INSTRUCTIONS  
BEFORE USING THE UNIT.  
SAVE IT FOR USE IN THE FUTURE.**

Safety Warning & Attentions .....	3
1. Attention .....	3
2. Attention for operation of this product .....	3
3. Operation and maintenance .....	3
Product Overview - Model: GT100 .....	3
1. Accessories: .....	3
2. Appearance: .....	4
3. Usage: .....	4
4. Performance parameters: .....	4
5. LED Indicators Status: .....	5
Getting Start .....	5
1. Install the SIM card .....	5
2. Install the device .....	5
3. Armed .....	6
4. Wiring configuration .....	6
5. Device wiring diagram .....	6
6. Power .....	7
Quick Operation Instructions .....	7
1. APN setting .....	7
2. DNS setting .....	7
3. Add specific number (SOS number) .....	7
4. Delete specific number .....	7
5. Set the center number .....	8
6. Delete the center number .....	8
7. Check parameter setting .....	8
8. Set GPS data upload interval .....	8
9. Corners upload (ON as default) .....	8
10. Armtime interval .....	8
11. Reboot device .....	9
Operation of device .....	9
1. Check location .....	9
2. Wire cut-off alarm (on as default) .....	9
3. Low battery alarm (on as default) .....	9
4. Vibration alarm .....	9
5. Moving alarm .....	9
6. Oil cut-off .....	10
7. Restoring Oil .....	10
Web based tracking online activation .....	10
Trouble shooting .....	11
Warranty instructions and service .....	11
Statement .....	11

## Introduction

Thank you for choosing this GPS Motorcycle Tracker. Please read this Manual carefully to fully understand its usage, perfect functions and simple operation. This product not only provides tracking function but also provides cutting petrol or electricity of your car to meet your requirements of monitoring comprehensively car security. The Company reserves the right to modify this Manual from time to time without prior notice. Before using this product, please read these Attentions carefully to ensure safe and proper operation of this product.

## Safety Warning & Attentions

### 1. Attention

- Do not place this product on an uneven or unstable table-board to prevent failure or damage caused by falling.
- Only the battery designated by the Company can be used on this product. Application of other products may lead to leakage, overheating, blowout and fire of the battery.
- Do not crash, vibrate, or throw device in order to avoid failure and fire.
- Do not use this product in a place with flammable and explosive gas; otherwise, product failure and fire may be caused.
- Do not place this product in a place with high temperature, high humidity or large amount of dust; otherwise, product failure may be caused.

### 2. Attention for operation of this product

- Do not dismantle or remodel this product, otherwise, damage, creepage and electrical fault may be caused to this product.
- Place tiny metal objects such as drawing pin at a place far away from the speaker. As the speaker has magnetic property while working, it will attract these tiny metal objects, which may lead to personal injuries or damage of the speaker.

### 3. Operation and maintenance

- Please keep this product dry, as rainwater, moisture, humidity and liquids or moisture content may contain mineral matters that erode the circuit.
- Do not keep this product in any place with high temperature. As high temperature may shorten the lifespan of electronic device, damage the battery and cause deformation or melting of certain plastic parts and components.
- Do not keep this product in any place with low temperature. As when being moved from a place with low temperature to a place with normal temperature, it may generate humidity inside, which may cause damage of circuit board.
- Do not attempt to dismantle this product. As improper handling by nonprofessional personnel may cause damage of the device.
- Do not toss, knock or shake this product, as tough operation mode may damage the motherboard inside the device.
- If this product is made wet by mistake, shut it down, remove the battery, and restart the product after confirming it complete dry after 24 hours.
- Use clean and dry soft cloth to clean the lens, infrared lamp and light sensor.

**Warning: improper operation will void warranty!**

## Product Overview - Model: **GT100**

**GPS Motorcycle tracker**

### 1. Accessories:

Device

Power cord

Relay

User Manual

Please make sure that all accessories are complete. Pictures are for indication and illustration purposes only.

2. Appearance:



3. Usage:

- for motorcycles
- for scooters
- for other vehicles

4. Performance parameters:

<b>Serial</b>	<b>Specifications</b>	<b>Technical parameters</b>
1	Dimension	87(L) x 59(W) x 19(H) mm
2	Weight	96g
3	Backup Battery	800mAh / 3.7V
4	Operation Temperature	-25 °C-60 °C
5	Humidity	5% - 95%
6	Standby Time	hours
7	GSM Frequencies	850/900/1800/1900 MHz
8	GPRS	Class 12
9	GPS Channel	20
10	GPS Sensitivity	-165dBm
11	Acquisition Sensitivity	-148dBm
12	Position Accuracy	10m
13	TTFB (Open Sky)	Cold Start <38s / Warm Start <15s / Hot Start <2s
14	GSM/GPS Antenna	Built-in design
15	LED Indicator	GSM-green, GPS-blue, Power-red
16	Data Transmit	TCP, SMS
17	Geo-fence	View any existing Geo-fence in the map
18	Low Power Alarm	Alarm when backup battery is running out
19	Remote Control	Cut off petrol/electricity

## 5. LED Indicators Status:

### GPS LED Indicator – Blue

Status	Implication
Quick Flashing	Searching GPS signal
Slow Flashing	GPS fix
OFF	No GPS fix or initializing

### GSM LED Indicator – Green

Status	Implication
Quick flashing (interval 0.1s)	GSM initializing
Slow flashing (flash 0.1s every 2s)	Connected to GSM Network
OFF	No GSM Signal or no SIM Card installed

### Power Status – Red

Status	Implication
Flashing (interval 0.1s)	Low battery
Slow flashing (interval 0.2s)	Full charge
Solid Red	Charging
OFF	Low battery/Power off / troubleshot

Notice: Ignition detection indication: three LED indicators take turns flashing.

## Getting Start

Please follow below instructions for ensuring safe and correct use.

### 1. Install the SIM card

Place the SIM card into the device with the gold-colored side facing down.

**Note: Make sure there is enough credit on the SIM card. If you will be using the GPRS function, you should pay attention to the current SIM card GPRS charge.**

### 2. Install the device

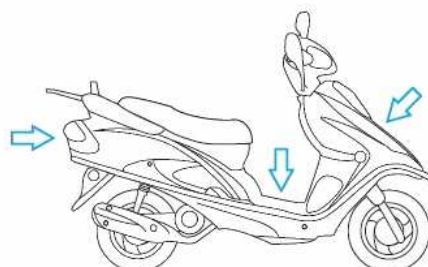
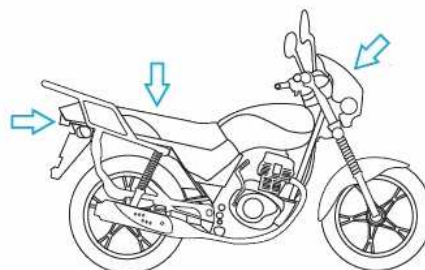
You need to choose somewhere that it won't be found, because the whole point of fitting covert GPS motorcycle tracker is the secrecy element. Installation please refers to below picture.

- Under the back seat
- Inside the front cover
- Inside the tailing cover or plastic component

**NOTE: 1. If the windshield is pasted with metal thermal-protective coating, it may affect the performance of the device. In this case, please change the installation place after consulting the professional.**

**2. Any high power devices such as reversing radar, anti-theft device or communication equipment would affect the signal of the device.**

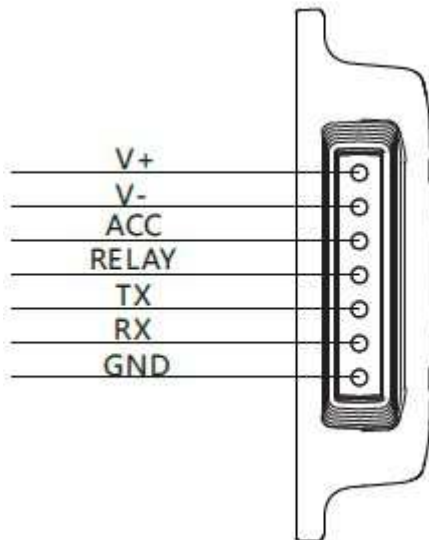
**3. All metallic cases of the windshield will attenuate the signal on the tracking device. It's simply due to the shielding effects of the metal compound of the case.**



### 3. Armed

When red/green/blue 3 LED lights are flashing twice in cycle, it means the terminal is armed.

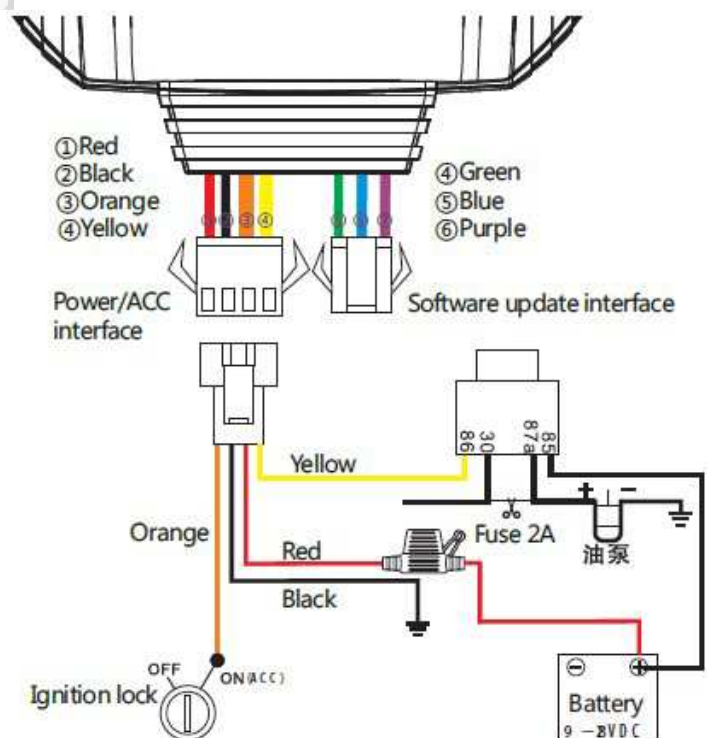
### 4. Wiring configuration



Line No.	Specification	Color	Instruction
1	V+	Red	Positive pole
2	V-	Black	Negative pole
3	ACC	Orange	ACC on
4	Relay	Yellow	Relay controlled wire
5	TX	Green	Send data / for backup
6	RX	Blue	Receive data / for backup
7	GND	Purple	Ground wire

### 5. Device wiring diagram

1. Use multimeter to find out the negative pole of the battery.
2. Use multimeter to find out the ACC wire. Method: Use the red pen to connect with the ACC wire while the black pen connects with the ground wire. In this condition, when the ignition lock is off, the voltage is 0; when the ignition lock is turned on, the multimeter will show the voltage.
3. The red line (positive pole) of the terminal cable should be connected to the positive pole of the battery.
4. Follow the picture above to connect the wires.
5. When the terminal is connected to external power, insert the SIM card into the terminal and the red indicator (power indicator) should be normally on. When the ignition lock is turned off, the red indicator should be flashing slowly.
6. The yellow wire of the relay control line should be connected to the 86 as the picture shows.



**Please choose the right relay (12V-standard) for the proper installation.**  
**Power Voltage – 9 - 12 V**

## 6. Power

### Power ON

The terminal will be automatically on when you insert the SIM card into the SIM card slot. The battery will connect the internal wires together in the terminal and the external power supply will start providing power to the device and also charging the battery.

After the power is on, it will start searching the GSM and GPS signal. During this period, the green indicator (GSM indicator) will be flashing while the blue indicator (GPS indicator) will be flashing quickly. When the blue indicator is flashing slowly, it means GPS has located.

### Power OFF

Pull out the SIM card, the terminal will be off.

## Quick Operation Instructions

Operation Tips: To properly use the device, common parameters should be set before initial use. This can be done by using the parameter editor or by sending SMS commands to the device. ("," should be English comma and no space before and after the comma)

### 1. APN setting

To connect default platform [www.gpsyeah.com](http://www.gpsyeah.com), please send the SMS command below: APN command format:

**APN,APN's Name#** e.g: **APN,internet#** ("internet" is the APN of carrier)

The device will reply "OK" if setting successfully.

**Note: The APN of some countries have user name and password, you may need to send SMS command as following:**

**APN,APN name,user name,password#** e.g: **APN,internet,CLIENTE,AMENA#**

### 2. DNS setting

To connect other platform, please send the two SMS commands below:

Command format:

**SERVER,1,DNS,Port,0#**

E.g: **SERVER,1,www.gpsluckly.com,0088,0#** (for internet platform [www.gpsyeah.com](http://www.gpsyeah.com))

It will reply "OK" after set successfully.

### 3. Add specific number (SOS number)

SMS command to the device to set the SOS number.

**SOS,A,No.1,No.2,No.3#**

"A" means to add new numbers, for example:

**SOS,A,13510905991,13510905992,13510905993#**

If there is only one SOS number, you can appoint a specific number as SOS number. And the null means no adding.

For example:

**SOS,A,13510905991#** means to set the first number as SOS number

**SOS,A,,13510905992#** means to set the second number as SOS number

**SOS,A,,,13510905993#** means to set the third number as SOS number

If set successfully, there is a "success" reply SMS.

### 4. Delete specific number

Before deleting specific number, please check its corresponding code. For the code, please SMS "**PARAM#**" to the device.

SMS command to the device to delete the number.

**SOS,D,serial NO.1,serial NO.2,serial NO.3#**

"D" means to delete the number, for example:

**SOS,D,1#** means to delete the first number

**SOS,D,3#** means to delete the third number

If you want to delete more than one numbers, you can send this command:

**SOS,D,1,3#** means to delete the first and third numbers.

If you forget serial number of the mobile number you want delete, you can send this command:

**SOS,D,mobile number#** means to delete the mobile number directly.

For example:

**SOS,D,13527852360#** means to delete the 13527852360 directly.

After deleting the SOS number, it will receive "Delete number 135XXXXXXXX success! specific number total 2" for successful deleting of the specific number.



## 5. Set the center number

If you want to cut off/restore oil by SMS command, you have to set a center number firstly. Only the center number can send the cut off/restore oil command to the device. You can set your own mobile number as center number.

The command for setting center number is:

**CENTER,A,mobile number#**

For example: **CENTER,A,15942703401#**

If set successfully, there is an "OK" reply message.

**NOTE: Only the SOS number can be used to set center number successfully.**

## 6. Delete the center number

SMS command to the device to delete the center number.

The command is: **CENTER,D#**

For example: **CENTER,D#**

If set successfully, there is an "OK" reply SMS.

**NOTE: Only the SOS number can be used to delete center number successfully.**

**Only SOS phone number can send this command successfully to set the center number. There is only one center number can be set.**

## 7. Check parameter setting

Send command to the terminal, you can check the parameter setting.

Command format: **PARAM#**

e.g.: **PARAM#**

Information replied:

IMEI: 353419032348877 ---IMEI number of the device;

GPRS Interval: 10,10; ---GPS data uploading Interval;

SENDS:5; --- the GPS working time when ACC is OFF;

SOS: 15942703401; --- SOS numbers, maximum 3 SOS numbers can be set and used for alarm and monitoring;

Center Number: 15942703401; ---only 1 center number can be set and used for cutting off /restoring oil command;

Sensoralm: 10,3,1,180 --- detect 3 vibrations in 10s; the alarm delay is 180s;

Defense time: 10; --- the defense delay is 10 minute;

TimeZone:E,8,0; --- set time zone; default as E8.

The replied information contains IMEI number, GPRS Interval, SENDS, SOS, center number, sensor time interval, defense time and time zone.

## 8. Set GPS data upload interval

Upload by interval

The default upload interval is 20 seconds, which means every 20 seconds the terminal will upload its location data to the platform. The interval can be set by sending SMS command: **TIMER,T1,T2#** ( $5 \leq T \leq 18000$  seconds)

e.g. **TIMER,20,30#**

It means when ACC is on, GPS data upload interval is 20 seconds; when ACC is off, GPS data upload interval is 30 seconds.

Upload by distance

Send SMS command: **DISTANCE,D#** ( $100 \leq D \leq 10000$  meters)

e.g. **DISTANCE,300#**

It means for every 300 meters, the terminal will upload GPS data to platform.

**NOTE: if the upload interval is short, the GPRS current will add up. Please set the suitable upload interval.**

## 9. Corners upload (ON as default)

The terminal will upload GPS data to the platform when the vehicle is turning (the turning angle reaches the pre-set value).

**NOTE: if the speed is too low during turning, the GPS data will be not able to upload to the platform.**

Send SMS command: **ANGLEREP,OFF#** to turn it off.

## 10. Armtime interval

When the vehicle is turned off (ACC low) and stays off in 3 minutes, the terminal will enter arm status. During this status, if the terminal detects 6 vibrations (default) and the vehicle still stays off (ACC off) in 30 seconds, it will activate vibration alarm.

Send SMS command: **DEFENSE,T#** ( $1 \leq T \leq 60$  minutes)

e.g. **DEFENSE,15#**

It means after 15 minutes the vehicle is turned off, the terminal will enter defense mode.



## 11. Reboot device

When there is something wrong with the link of GPRS, e.g., The parameter setting of the device is correct, but you can't track the car on the platform. At this moment you can send a command to the device to reboot the device.

The format is: **RESET#**

After receiving this command, the device will reboot after 1mins.

## Operation of device

### 1. Check location

#### 1. Via SMS

1.1 SMS "**WHERE#**", to the SIM number of device. The device will send a location message automatically. You can get the coordinates. If the device does not search any information of location, it will send "No data" to the cell phone.

**Example:**

**Lat:N22.571285,Lon:E113.877115,Course:42.20,Speed:0.0740,DateTime:10-11-23 22:28:51**

1.2 SMS "**URL#**", to the SIM number of device. The device will send a location Google Map link. If the device does not search any information of location, it will send "No data" to the cell phone.

**Example:**

**<Date Time : 10-11-23 23:42:51> http://maps.google.com /maps?q=N22.571490,E113.877103**

#### 2. Via platform

Go to the platform website offered by dealers to check your vehicle location.

### 2. Wire cut-off alarm (on as default)

When the electricity supply of device is cut off, it will activate cut-off alarm. In this case, the device will send related SMS to the specific numbers and dial the numbers in circles. If nobody answers, the call just keeps 3 loops at most. At the meantime, the device will upload SOS alarm data to the server. And it will send:

**Cut Power !<Date Time:11-06-17 14: 53: 06>, http://maps.google.com/maps?q=N22576713,E113.916585**

Send SMS command: **POWERALM,OFF#** to turn it off.

**Note: The specific numbers should be preset**

### 3. Low battery alarm (on as default)

When the device is only working with battery, once the internal voltage of battery is less than 3.7V, device will send low battery alarm sms to specific number and alarm on platform.

Low battery alarm sms content example: "**Attention!!!battery too low, please charge.**" Which means the battery is to low, to inform user charging it in time.

Send SMS command: **BATALM,OFF#** to turn off the alarm.

**Note: The specific numbers should be preset**

### 4. Vibration alarm

When the vehicle is turned off (ACC low) and stays off for 3 minutes (pre-set), the terminal will enter armstatus. During this time, if the terminal detects 6 times vibrations(default) and the vehicle still stays off (ACC off) in 30 seconds, it will activate vibration alarm. The terminal will upload longitude and latitude data to the platform. Then the platform will send the google link to SOS number.

e.g.: "**vibration alarm: <DateTime:10-11-23 23:42:51> http://maps. google.com/maps?q=N22.571490,E113.877103**"

**Note: 1.The SOS numbers should be preset.**

**2.Send "SENSOR, OFF#" to turn off the vibration alarm.**

### 5. Moving alarm

Send SMS command: **MOVING,ON,R#**( $100 \leq R \leq 1000$  meters, 300 is recommended)

In the situation where ACC becomes low, if the vehicle is moved over 300 meters (pre-set) from the latest location, the terminal will send moving alarm to the platform. SOS number will receive moving alarm message.

e.g. "**Attention! The vehicle is moved. <DateTime:10-11-**

**2323:42:51>http://maps.google.com/maps?q=N22.571490,E113.877103**"

Send SMS command: **MOVING,OFF#** to turn off the alarm

## 6. Oil cut-off

### 1. Via platform

Send oil cut-off command on platform. To make sure the security of vehicle, tracker can only indicate to cut off oil when GPS is in valid position status, and the speed is less than 20KM/H or in static. Platform account password is needed when sending oil cut off command.

### 2. Via SMS

Firstly, you should set a center number. Only center number can send the command to the device to cut off and restore oil.

The format is: **RELAY,1#**

After the command is carried out, it will reply "Cut off the fuel supply: Success! Speed:0 Km/h". If the command didn't carry out, it will reply the reason about fail to carry out.

**Note: To ensure the safety of the driver and the car, this command is valid only under two conditions: the GPS is located; the speed is less than 20km/h**

## 7. Restoring Oil

### 1. Via platform

When the alarm is off, sending recover oil commands manually. Device will restore oil supplying, and vehicle will work normally again.

Platform account password is needed when sending oil cut off command.

### 2. Via SMS

Only center number can send the command to the device to restore oil.

The format is: **RELAY,0#**

After the command is carried out, it will receive "Restore fuel supply:Success!"

## **Web based tracking online activation**

The GPRS web based tracking platform allows real time tracking with the latest Google maps. There is also a playback feature that allows you to view where the vehicle has been for up to 30 days in the past making it ideal for fleet management.

## Trouble shooting

If you are having trouble with your device, try these troubleshooting procedures before contacting a service professional.

<b>Problems</b>	<b>Causes</b>	<b>Solutions</b>
<i>Bad reception</i>	<i>Near the tall building or in the basement</i>	<i>Change to a place with good signal</i>
<i>The terminal cannot be turned on</i>	<i>No battery power</i>	<i>Change a new battery</i>
<i>Fail to connect platform</i>	<i>The fuse blows</i>	<i>Replace the fuse</i>
	<i>ACC ignition disconnected</i>	<i>Turn on ACC with key</i>
<i>Fail to connect network</i>	<i>Wrong installation of SIM card</i>	<i>Check SIM card installation (Refer to 4.1 Install SIM card)</i>
	<i>Filth on the SIM card iron surface.</i>	<i>Clean it</i>
	<i>Useless SIM</i>	<i>Contact internet service provider</i>
	<i>Improper installation</i>	<i>Check installation of device (Refer to 4.2 Install the device)</i>
	<i>Beyond GSM service area</i>	<i>Use it in effective GSM service offer area</i>
	<i>Bad signal</i>	<i>Try again in a better signal area</i>
<i>Fail to charge</i>	<i>The voltage is unsuitable</i>	<i>Connect with power with suitable voltage</i>
	<i>Improper connection</i>	<i>Check connection with charger</i>
<i>Cannot check address information</i>	<i>GPRS function is not activated</i>	<i>Please contact the SIM card operator to activate GPRS</i>
	<i>Cannot get the position data</i>	<i>- restart the terminal - contact with your supplier</i>
	<i>It is not a SOS number</i>	<i>set SOS number</i>

## Warranty instructions and service

1. The warranty is valid only when the warranty card is properly completed, and upon presentation of the proof of purchase consisting of original invoice indicating the date of purchase, model and serial No. of the product. We reserve the right to refuse warranty if this information has been removed or changed after the original purchase of the product from the dealer.
2. Our obligations are limited to repair of the defect or replacement the defective part or at its discretion replacement of the product itself.
3. Warranty repairs must be carried out by our Authorized Service Centre. Warranty cover will be void, even if a repair has been attempted by any unauthorized service centre.
4. Repair or replacement under the terms of this warranty does not provide right to extension or renewal of the warranty period.
5. The warranty is not applicable to cases other than defects in material, design and workmanship.

## Statement

All rights reserved.  
Author instructions  
Correction

**Shenzhen Concox Information Technology Co., Ltd.**  
**ELMIC / PHU FENIKS POLAND**

<p>Producer: <b>Shenzhen Concox Information Technology Co., Ltd.</b> <b>China</b></p> <p></p> <p><a href="http://www.concox.cn">www.concox.cn</a></p>	<p>Importer: <b>Przedsiębiorstwo Handlowo Usługowe FENIKS</b> ul. Słoneczna 110, Nowa Kuźnica, 42-350 Koziegłowy Poland <a href="http://www.elmic.pl">www.elmic.pl</a>, <a href="mailto:elmic@elmic.pl">elmic@elmic.pl</a></p> <p></p>
--	---