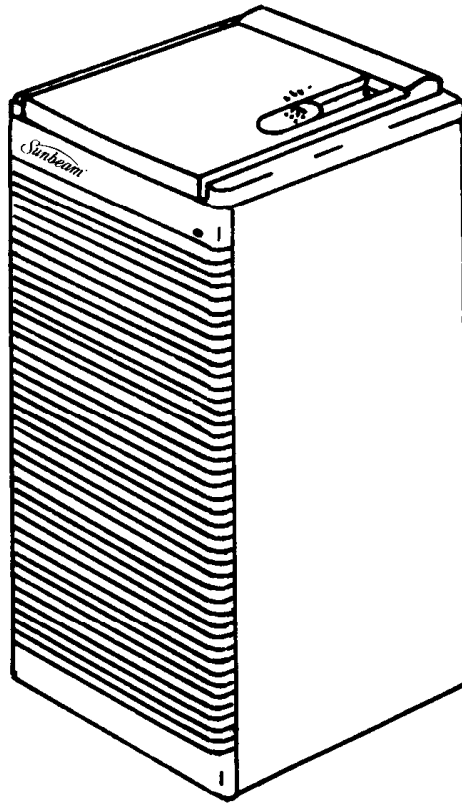


Sunbeam[®]
MODEL 2576



**OWNER'S
MANUAL**

Sunbeam[®]
**HEPA 2500
AIR CLEANER**

OPERATING INSTRUCTIONS

CAUTION:
READ AND
SAVE THESE
INSTRUCTIONS.

Any questions or comments?
Call 1-800-526-2832
Mon.-Fri. 8 a.m. - 4 p.m. Central Time

INTRODUCTION

Your Sunbeam 2500 Air Cleaner has been designed to let you enjoy a refreshing experience in clean air living.

Airborne particles are removed from air passing through the unit.

NOTE: This owner's manual should be read thoroughly before your air cleaner is operated. Keep your owner's manual for future reference.

HOW THE SUNBEAM HEPA 2500 AIR CLEANER WORKS

The air around you is filled with thousands of particles of air pollution. Some of the pollutants (dust, smoke and lint) are visible to the naked eye, but most of the pollutants (pollen and bacteria, to name a few) are microscopic in size.

Your true HEPA Filter is enclosed with a sealing label placed over the top of the collector assembly. This label provides a complete sealing of the HEPA Filter ensuring a 99.97% efficiency at removing common indoor air particles. **Do not remove this label unless replacing the HEPA or Charcoal Filter.**

As polluted air is drawn into your console air cleaner (Figure 1), an Aluminum Pre-Filter strains out the larger particles of pollution. The air then passes through the cartridge air filter (HEPA Filter) where microscopic particles are collected.

The now cleaned air then passes through a filter of activated carbon. Activated carbon acts like a sponge to help remove odors. (Figure 2) Having been cleaned three ways, the air returns to the room through the bottom front grill. (Figure 1)

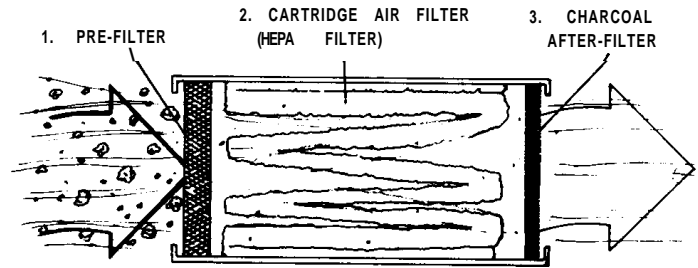


Figure 2

UNIT LOCATION

Select the location for your air cleaner with an electrical outlet nearby. An example of locating your air cleaner is shown in Figure 3.

NOTE: DO NOT USE AN EXTENSION CORD TO SUPPLY POWER TO YOUR AIR CLEANER.

Your console air cleaner can be placed almost anywhere as long as the air can freely circulate into the top front grill and out of the bottom front grill. (Figure 1)

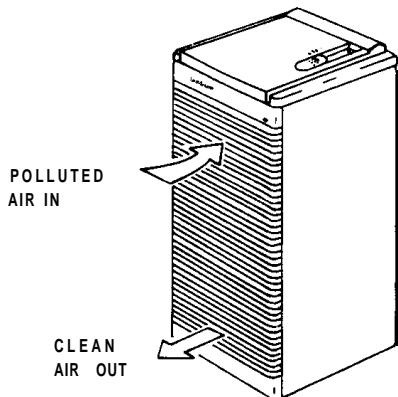


Figure 1

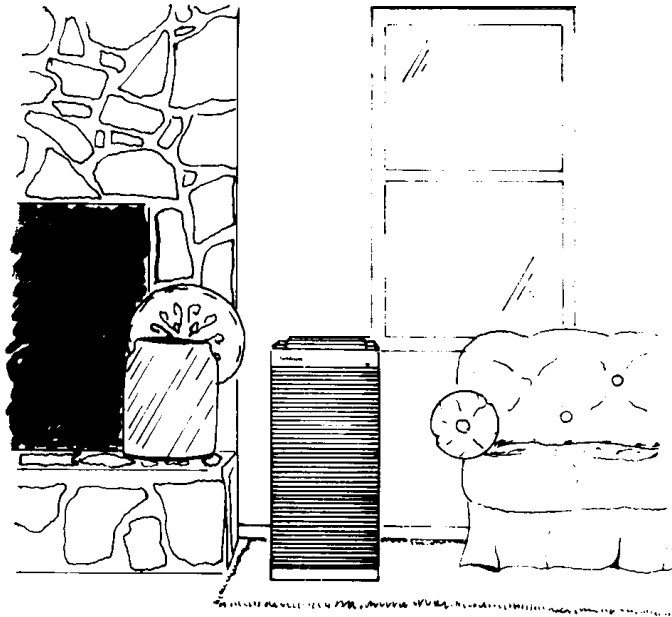


Figure 3

OPERATION

Plug the cord into any standard household electrical outlet. (See data label for electrical specifications and power consumption. This data label can be seen when the cabinet top is removed.)

Turn the unit on by sliding the ON/OFF switch to the desired speed: "DAILY USE, MEDIUM or HIGH". (Figure 4) The air cleaner should be set on HIGH for 1 minute before switching to desired speed to initially start-up the unit. Your air cleaner is designed for continuous operation -- **peak efficiency is obtained when the air cleaner remains on constantly. For best results, select "DAILY USE" setting.**

An operating light is located on the top right front grill and indicates that the unit is operating. (Figure 5)

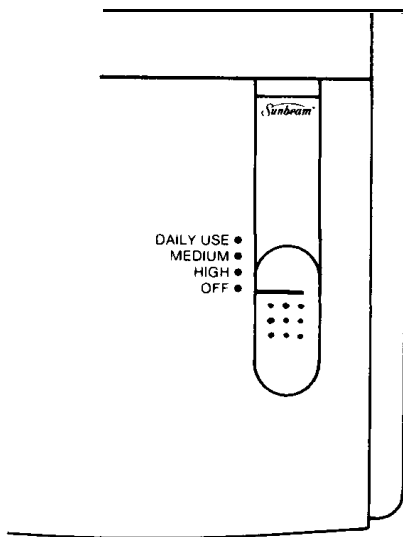


Figure 4

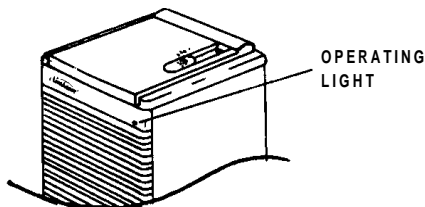


Figure 5

MAINTENANCE

CARE OF CABINET

You should treat the cabinet of your air cleaner as you would any other piece of fine furniture. A soft, damp cloth will keep it clean and attractive for many years. The front grill can be cleaned using a vacuum cleaner with a brush attachment.

TO REMOVE HEPA FILTER ASSEMBLY

Turn off the air cleaner and unplug it from the electrical power source.

Remove the cabinet top by lifting up and remove the Sealing Label (enables 99.97% efficiency) from the top of the HEPA Filter Assembly. **Do not discard Sealing Label.** Lift out the collector assembly using the flip-up handle. (Figure 6)

The HEPA Filter Assembly includes: Aluminum Pre-Filter, HEPA Filter and Charcoal After-Filter.

The front filter (Aluminum) is the Pre-Filter. The HEPA Filter is the middle (large) filter, and the Charcoal After-Filter is in the back of the HEPA Filter Assembly. (Figure 7)



Figure 6

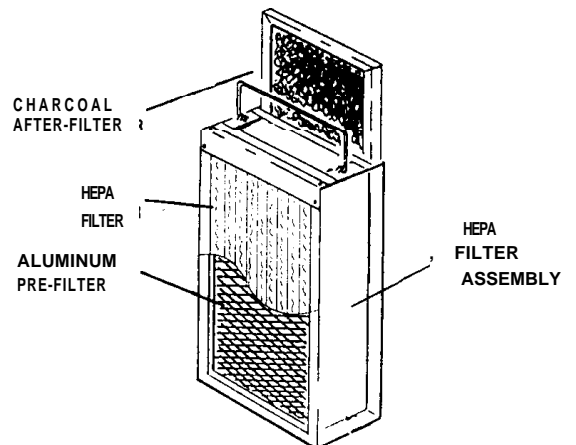


Figure 7

TO CLEAN PRE-FILTER

Slide out Pre-Filter located in front of the Filter Assembly. Rinse thoroughly with clean warm water. Set aside to dry.

REPLACEMENT OF HEPA FILTER

After about 12 months of collecting dirt, dust, pollen and other pollutants, the HEPA Filter of your unit will need to be replaced. **The HEPA Filter cannot be cleaned.** Use the enclosed reorder form to order replacement filters if not available from your retailer.

Remove the Pre-Filter and Charcoal After-Filter from the HEPA Filter Assembly and place aside. The HEPA Filter can now be discarded. Using the directions on top of the new HEPA Filter, replace the aluminum Pre-Filter in slots provided in front of the HEPA Filter and replace the Charcoal After-Filter in the slots provided in the back.

REPLACEMENT OF CHARCOAL FILTER

ACTIVATED CHARCOAL FILTER HELPS REMOVE HOUSEHOLD ODORS.

To remove the Charcoal Filter, remove the Sealing Label from top of Filter Assembly and place aside so it can be reused. Remove the Charcoal Filter from the Filter Assembly. **Do not wash the Charcoal Filter.** It should be replaced every 3-6 months under average conditions. These filters are available in your retail store or use the enclosed order form.

After replacing the Charcoal Filter, return the Filter Assembly back into the cabinet. Reseal the top of the Filter Assembly with the Sealing Label removed previously.

TO REPLACE HEPA FILTER ASSEMBLY

NOTE: Use directions on the top of the HEPA Filter Assembly for proper placement of the filters into the assembly and for replacing the assembly into the unit.

Using the handle, slide the HEPA Filter Assembly back into the cabinet. Aluminum Pre-Filter will face the front grill. Replace the Sealing Label provided with the new HEPA Filter over the opening containing the HEPA Filter Assembly.

TO REPLACE CABINET TOP

Replace the cabinet top by positioning over the unit and placing on cabinet. (Figure 8) Be sure that the plastic ball and socket are engaged.

Plug the cord into the electrical power source and select desired speed.

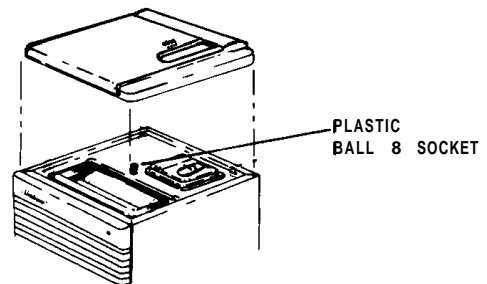


Figure 8

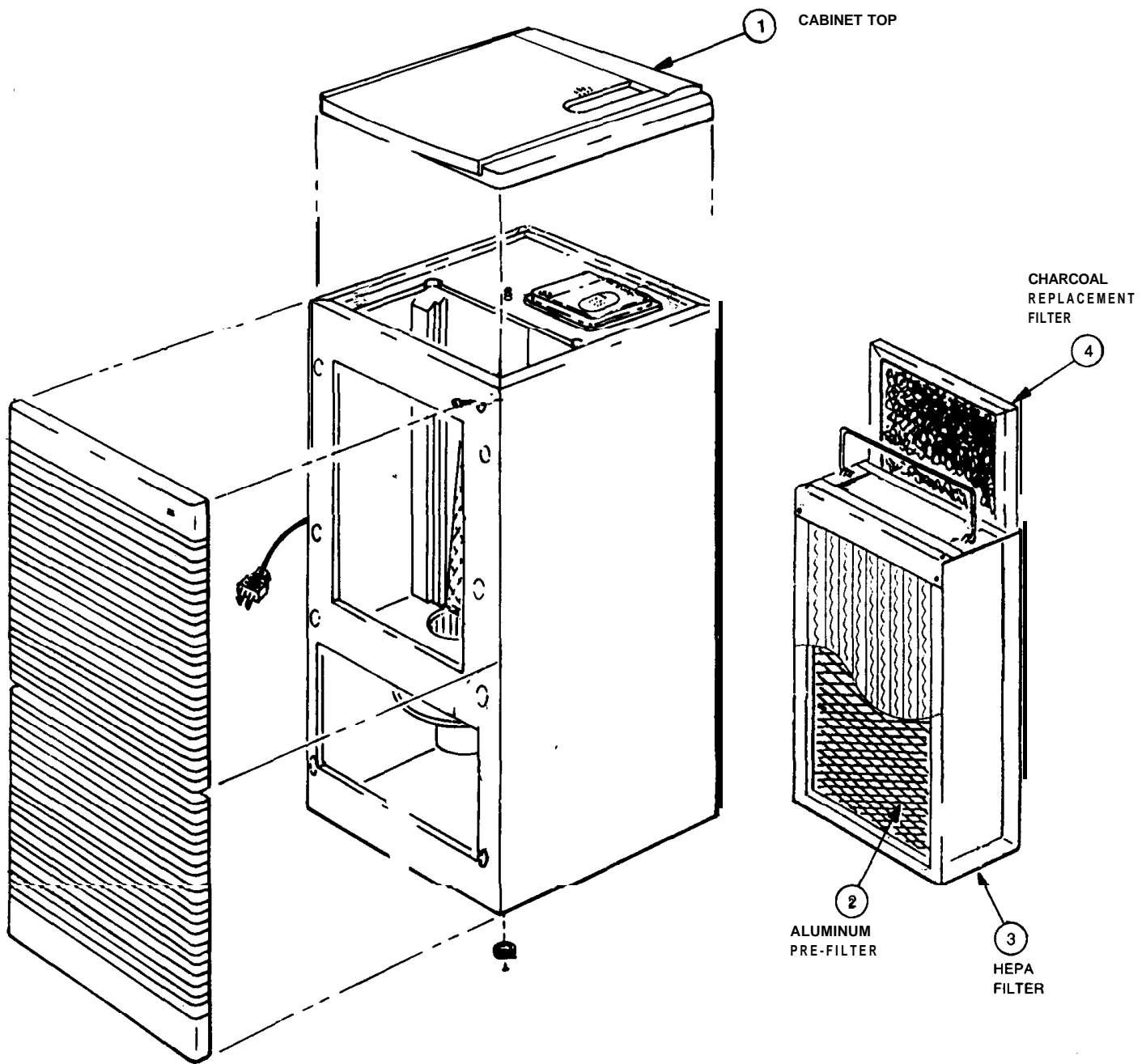
TROUBLESHOOTING CHECKLIST

Many times questions that appear to be major can be solved quite easily. The chart below lists potential questions/problems and how to correct them. Remember, check the simple things first.

CONDITION	WHAT TO CHECK	WHAT TO DO
Unit fails to turn on.	<ol style="list-style-type: none"> 1. Power Cord 2. Electrical Outlet 3. ON/OFF Switch 4. Cabinet Top is properly intalled 5. Collector assembly is properly installed. 	<ol style="list-style-type: none"> 1. Plug in power cord. 2. Check for power to the electrical outlet. Plug a table lamp into the electrical outlet to ensure power availability. 3. Set ON/OFF Switch to desired speed. 4. Refer to section on previous page, "To Replace Cabinet Top." 5. Use directions on the top side of the assembly. Aluminum Pre-Filter will face the front grill.
Unit does not remove pollutants/ Reduced air flow	HEPA Filter	<ol style="list-style-type: none"> 1. As the HEPA Filter collects, a higher speed may be necessary to maintain the original cleaning level of the air cleaner. 2. The HEPA Filter needs to be replaced. (Will need to be replaced every 12 months or sooner depending on the environment the air cleaner is operated in.)
Unit still does not operate properly.	Re-check the above points.	Return unit to Appliance Service Station, Hattiesburg, MS, for service. See Warranty Information on back cover for address.

NOTE:

Blowing smoke directly into the front grill is not a good test for unit performance.



PARTS LIST

Key Number	Part Number	Description
1	344953-001	Cabinet Top
2	123324-003	Aluminum Pre-Filter
3	6576	HEPA Filter
4	6575	Charcoal Replacement Filter

To order Replacement Parts, write to Appliance Service Center, 117 Central Industrial Row, Purvis, MS 39475.

NOTES/NOTAS

Sunbeam
MODEL 2576

OWNER'S MANUAL

Sunbeam[®]
**HEPA 2500
AIR CLEANER**

LIMITED ONE YEAR WARRANTY STATEMENT

This product is warranted for one year from the date of purchase against electrical and mechanical defects in material and workmanship. If the unit fails to operate during this period, return it, prepaid, to Appliance Service Station, 117 Central Industrial Row, Purvis, Mississippi, 39475, for repair or replacement without charge at the manufacturer's option. This warranty gives you specific legal rights, and you may also have other rights which vary from state to state.

Warrantor: Sunbeam-Oster Household Products

Made in America