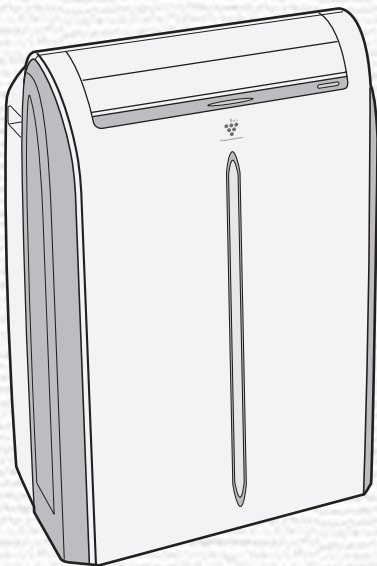


SHARP

**PORTABLE TYPE
ROOM AIR CONDITIONER
INSTALLATION AND OPERATION
MANUAL**



**CV-P10LJ
CV-P13LJ**

This manual explains the proper use of your new air conditioner. Please read this manual carefully before using the product. This manual should be kept in a safe place for handy reference.

CONTENTS

• USAGE CAUTIONS	E-2
• PRECAUTIONS	E-3
• LOCATION	E-3
• INCLUDED.....	E-4
• PART NAMES.....	E-5
• INSTALL WINDOW PANEL.....	E-7
• INSTALLATION AND REMOVAL OF EXHAUST HOSE	E-11
• PRE-OPERATION CHECKS	E-13
• COOL MODE	E-15
• DEHUMIDIFICATION MODE	E-15
• FAN MODE	E-16
• VENTILATION MODE.....	E-16
• TO CHANGE AIR FLOW DIRECTION.....	E-17
• PLASMACLUSTER OPERATION.....	E-18
• MEGA COOL OPERATION.....	E-19
• SLEEP OPERATION.....	E-19
• TIMER OPERATION.....	E-20
• MAIN UNIT OPERATION.....	E-21
• DRAINAGE	E-22
• MAINTENANCE.....	E-22
• BEFORE CALLING FOR SERVICE	E-23

USAGE CAUTIONS

- **Ventilate the room periodically during use, especially if using gas appliances.**
- **Be sure to turn the unit off and disconnect the power supply cord before performing any maintenance or cleaning.**
- **Do not splash or pour water directly onto the unit.**
Water can cause electrical shock or equipment damage.
- **Drainage should be performed whenever moving the air conditioner.**
If any water remains in the tank, it may spill out while being moved.
- **Remove the window panel and close the window in the event of particularly adverse weather.**
Extremely adverse weather may cause water to leak in through the openings.
- **To ensure proper drainage, the drainage hose must have no kinks or be on a different level during dehumidification mode.**
The drained water may spill out into the room.
- **The temperature around the drainage hose must not be below freezing point when used.**
Drained water may freeze inside the hose, causing water inside the unit to overflow into the room.
- **Do not block the exhaust air outlet with obstacles.**
Cooling performance may be reduced or stop completely.

NOTES ON OPERATION

- **Allow 3 minutes for the compressor to restart cooling.**
If you turn the air conditioner off and immediately restart it, allow three minutes for the compressor to restart cooling. There is an electronic device in the unit that keeps the compressor turned off for three minutes for safety.
- **In the event of a power failure during use, allow 3 minutes before restarting the unit.**
After power is reinstated, restart the air conditioner. If the power was off for less than three minutes, be sure to wait at least three minutes before restarting the unit. If you restart the air conditioner within three minutes, a protective device in the unit may cause the compressor to shut off. This protective device will prevent cooling for about 5 minutes. Any previous settings will be canceled and the unit will return to its initial settings.
- **Low temperature operation: Is your unit freezing up?**
Freezing may occur when the unit is set close to 18°C in low ambient temperature conditions, especially at night.
In these conditions, a further temperature drop may cause the unit to freeze.
Setting the unit to a higher temperature will prevent it from freezing.
- **Dehumidification mode increases room temperature.**
The unit generates heat during dehumidification mode and the room temperature will rise. Warm air will be blown out from the Exhaust air outlet, but this is normal and does not indicate a problem with the unit.
- **This air conditioner blows the warm air generated by the unit outside the room via the exhaust hose while in cool mode.**
Accordingly, the same amount of air as that blown out will enter the room from outside through any openings into the room.
- **When cooling operation is performed at high humidity conditions, water tank inside the unit may frequently become full.**
When water tank inside the unit is full, the unit stops operating and TIMER, OPERATION and MEGA COOL lamps will blink. In this case, perform drainage to drain out water within the unit.

PRECAUTIONS

OPERATING CONDITIONS

- **The air conditioner must be operated within the temperature range indicated below.**

MODE	Room temperature
Cool	18°C ~ 35°C
Dehumidification	15°C ~ 35°C

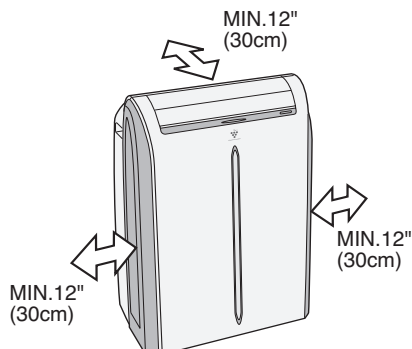
- A built-in safety device may cut off operation if the temperature exceeds these limits.
- When cooling operation is performed at high room temperature, the fan may run at a slower speed.

ENERGY EFFICIENCY TIPS



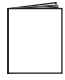

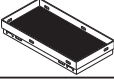
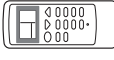



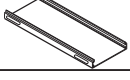
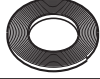
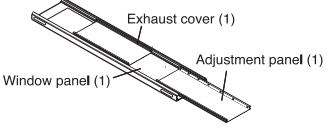


- **Avoid direct sunlight.**
Close blinds, drapes or shades to keep out direct sunlight while in cooling mode.
- **Keep the filter clean.**
Keeping the filter clean greatly aids efficient operation.
A dirty filter blocks the flow of air, making your air conditioner work harder and less efficiently.
- **Turn off unnecessary lights.**
Your air conditioner must remove the heat produced by your lights or other heat-producing appliances. Turn off any lights or appliances that are not in use.
- **Turn off the air conditioner when no one is home.**
Use only when necessary. The less time the air conditioner is used, the lower the running costs.

LOCATION

- The air conditioner should be placed on a firm foundation to minimize noise and vibration. For safe and secure positioning, place the unit on a smooth, level floor strong enough to support the unit.
- The unit has casters to aid placement, but it should only be rolled on smooth, flat surfaces. Use caution when rolling on carpet surfaces. Do not attempt to roll the unit over objects.
- The unit must be placed within reach of a properly rated grounded socket.
- Never place any obstacles around the air inlet or outlet of the unit.
- Allow at least 12" (30cm) of space from the wall for efficient air-conditioning.



INCLUDED

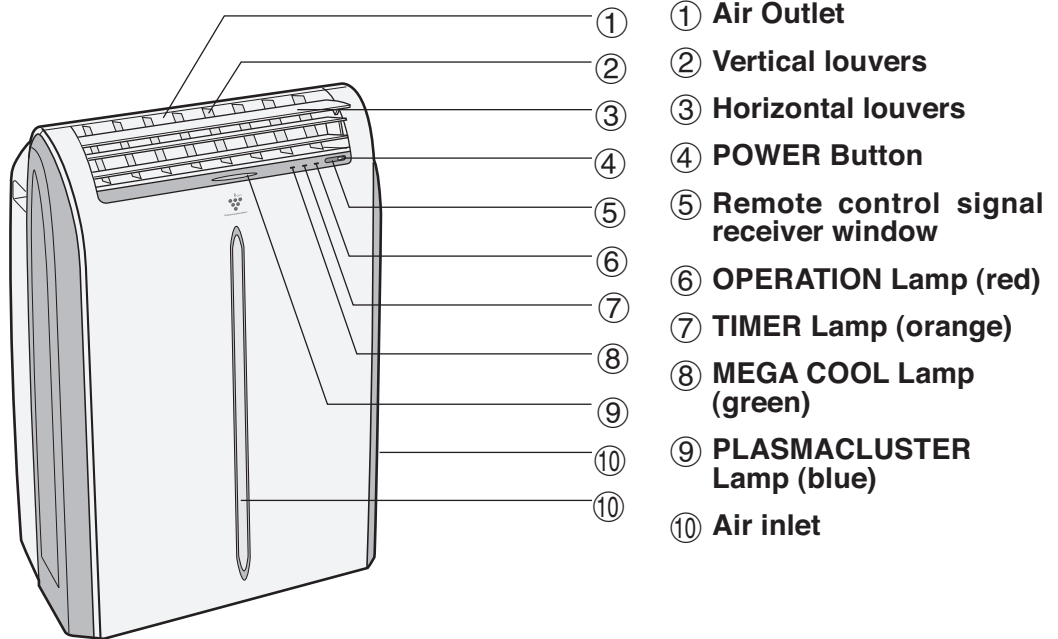
Exhaust hose		1	Rain guard		2	Manual		1
Window exhaust adapter		1	Insect guard net		1	Remote control		1
Exhaust hose adapter		1	Foam seal A		1	Battery (AAA.1.5V)		2
Extension panel		1	Foam seal B (adhesive type)		1			
	3	Bracket		1				
		Screw		8				

SUGGESTED TOOLS FOR WINDOW PANEL INSTALLATION

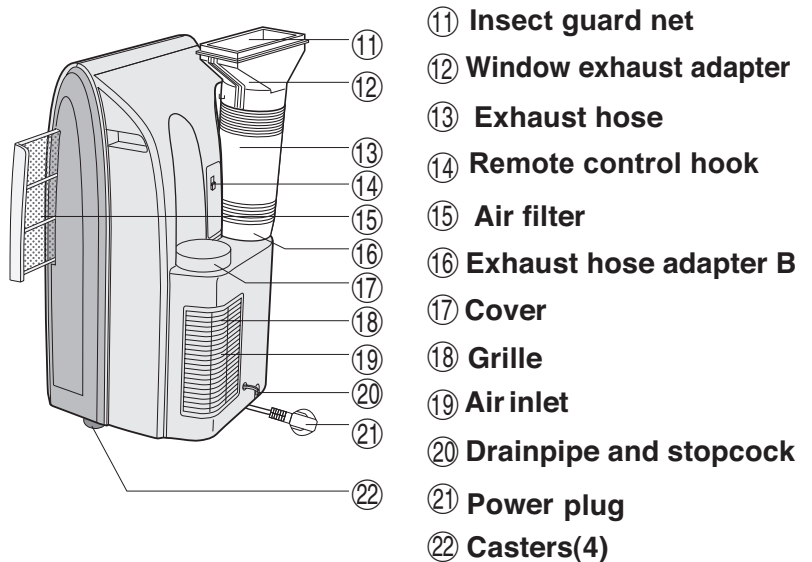
1. Screwdriver (medium size Phillips)
2. Tape measure or ruler
3. Knife or scissors
4. Saw (In the event that the window panel needs to be cut down in size because the window is too narrow for direct installation.)

PART NAMES

FRONT VIEW

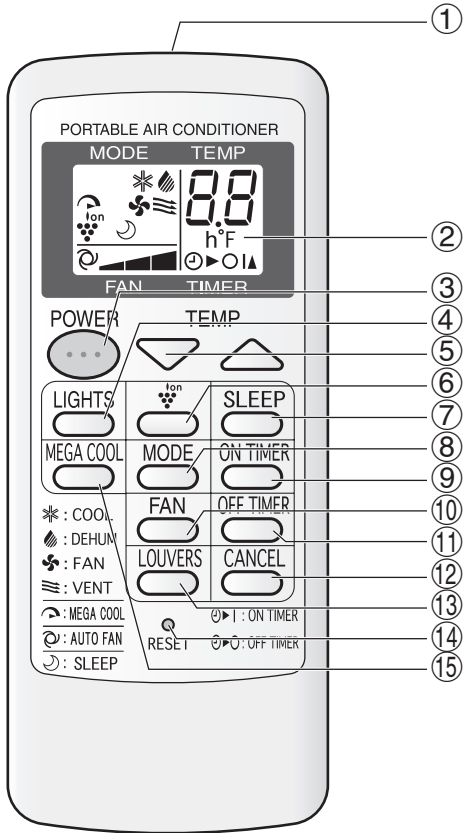


REAR VIEW



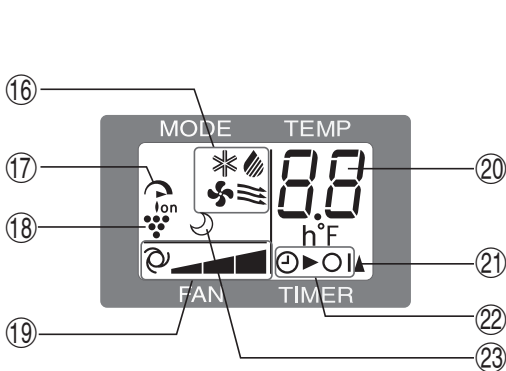
NOTE: Actual unit might vary slightly from above illustration.

REMOTE CONTROL



- ① Transmitter
- ② Display
- ③ POWER Button
- ④ LIGHTS Button
- ⑤ TEMPERATURE Button
- ⑥ PLASMACLUSTER Button
- ⑦ SLEEP Button
- ⑧ MODE Button
- ⑨ ON TIMER Button
- ⑩ FAN Button
- ⑪ OFF TIMER Button
- ⑫ CANCEL Button
- ⑬ LOUVERS Button
- ⑭ RESET Button
- ⑮ MEGA COOL Button

REMOTE CONTROL DISPLAY



- ⑯ MODE SYMBOLS
 - * : COOL ☀ : DEHUMIDIFICATION
 - ☪ : FAN ≡ : VENTILATION
- ⑰ MEGA COOL SYMBOL
- ⑱ PLASMACLUSTER SYMBOL
- ⑲ FAN SPEED SYMBOLS
 - ☪ : AUTO ▴ : Quiet
 - ▴ : Low ▴▴▴ : High
- ⑳ TEMPERATURE AND TIMER COUNT DOWN INDICATOR
- ㉑ TRANSMITTING SYMBOL
- ㉒ ON TIMER / OFF TIMER SYMBOL
- ㉓ SLEEP SYMBOL

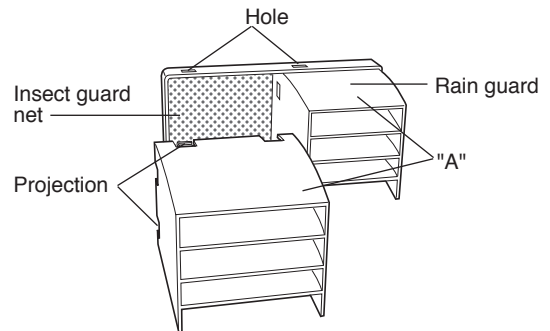
INSTALL WINDOW PANEL

Installation in a double-hung sash window

(See page 9 for installation in a sliding sash window.)

1 Connect the rain guards to the insect guard net.

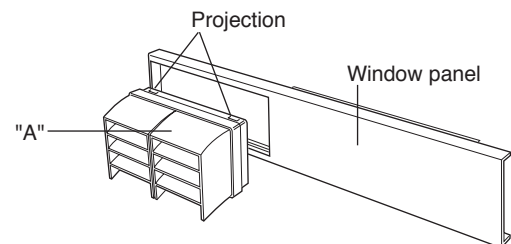
Insert all three projections on each rain guard into the holes in the insect guard net. Side "A" will now be uppermost, as indicated in the diagram.



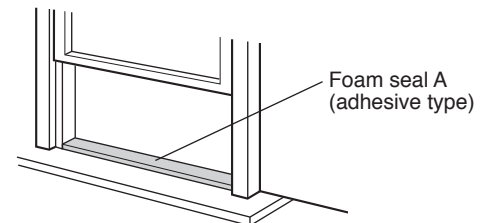
2 Attach the guard combined above to the window panel

Push the insect guard net firmly to ensure that its four projections fit into the holes in the window panel.

Side "A" will now be at the top, as indicated in the diagram.



3 Cut the foam seal A (adhesive type) to the proper length and attach it to the window stool.

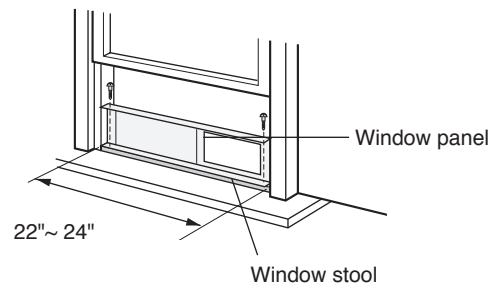
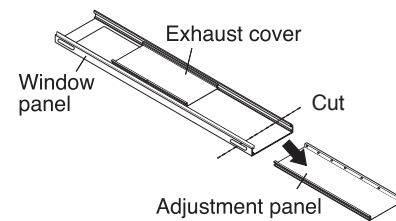


4 Attach the window panel to the window stool.

If the inner width of the window is between 22" (559mm) and 24" (609mm) inclusive.

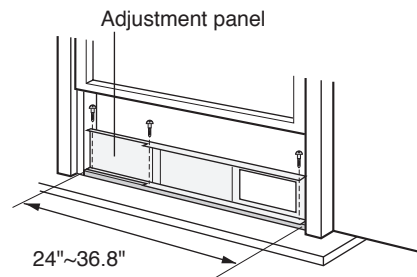
The window panel cannot be installed in windows less than 22" (559mm) wide, as you will be unable to shut the exhaust cover.

- (1) Remove the adjustment panel from the window panel, and cut the window panel to the same width as the window.
- (2) Open the window sash and place the window panel on the window stool
- (3) Secure the window panel to the window stool with 2 screws.



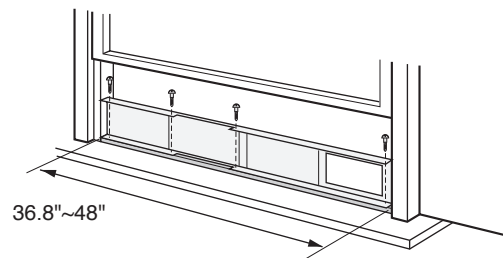
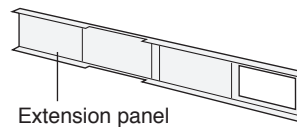
If the inner width of the window is between 24" (609mm) and 36.8" (934mm) inclusive.

- (1) Open the window sash and place the window panel on the window stool.
- (2) Slide the adjustment panel to fit the window frame width.
- (3) Secure the window panel to the stool with 3 screws.



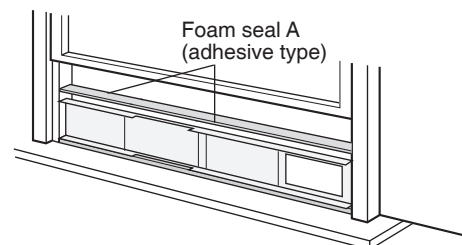
If the inner width of the window is between 36.8" (934mm) and 48" (1219mm) inclusive.

- (1) Attach the extension panel to the adjustment panel.
- (2) Open the window sash and place the window panel on the window stool.
- (3) Slide the adjustment and extension panels to fit the window frame width.
- (4) Secure the window panel to the window stool with 4 screws.



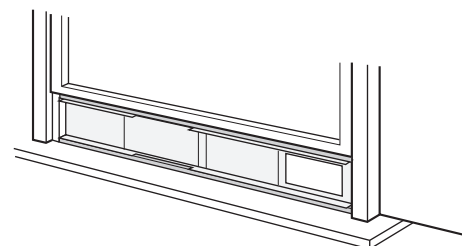
5 Cut the foam seals (adhesive type) A and B to the proper length and attach it to the window panel.

Attach foam seal A to the window panel and extension panel, and attach foam seal B to the adjustment panel.

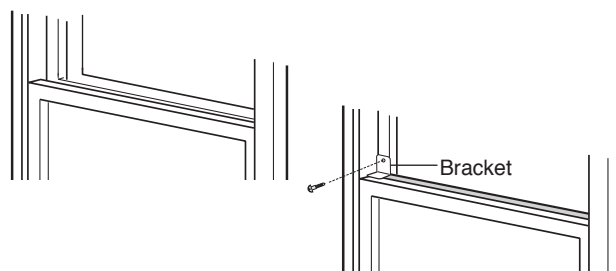


6 Close the window sash securely against the Window panel.

7 Cut the foam seal to an appropriate length and seal the opening between the top of the inner window sash and the outer window sash.



8 Attach a bracket with the screw.



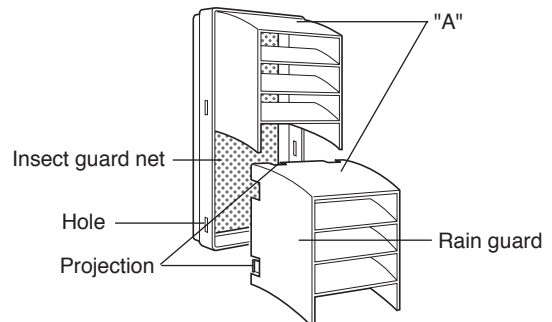
INSTALL WINDOW PANEL

Installation in a sliding sash window

1 Connect the rain guards to the insect guard net.

Insert all three projections on each rain guard into the holes in the insect guard net.

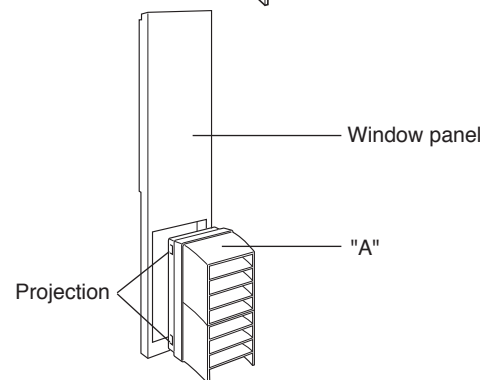
Side "A" will now be uppermost, as indicated in the diagram.



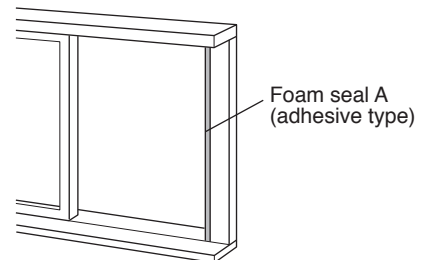
2 Attach the guard combined above to the window panel.

Push the insect guard net firmly to ensure that its four projections fit into the holes in the window panel.

Side "A" will now be at the top, as indicated in the diagram, when it is installed in the window.



3 Cut the foam seal A (adhesive type) to the proper length and attach it to the window frame.

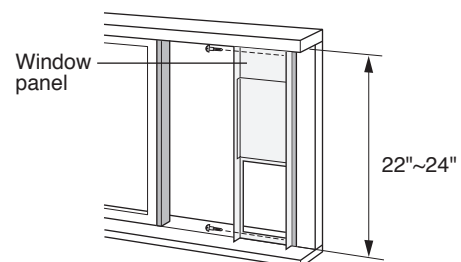
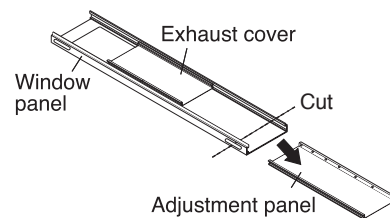


4 Install the window panel into the window frame.

If the inner height of the window is between 22" (559mm) and 24" (609mm) inclusive.

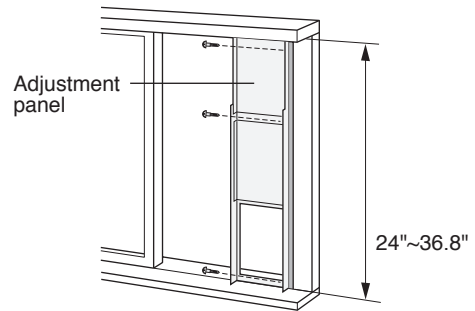
The window panel cannot be installed in windows less than 22" (559mm) high, as you will be unable to shut the exhaust cover.

- (1) Remove the adjustment panel from the window panel, and cut the window panel to the same height as the window.
- (2) Open the window sash and place the window panel on the window frame.
- (3) Secure the window panel to the window frame with 2 screws.



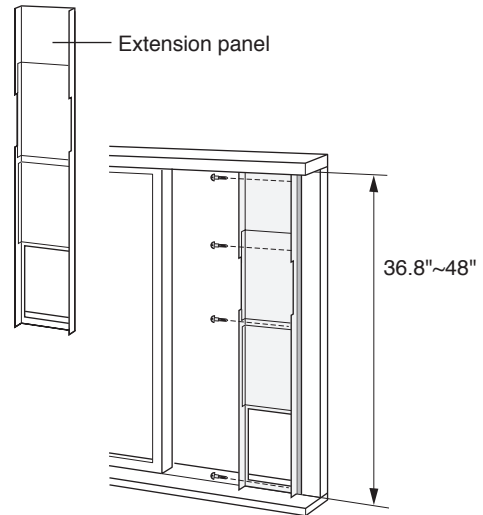
If the inner height of the window is between 24" (609mm) and 36.8" (934mm) inclusive.

- (1) Open the window sash and place the window panel on the window frame.
- (2) Slide the adjustment panel to fit the window frame height.
- (3) Secure the window panel to the window frame with 3 screws.



If the inner height of the window is between 36.8" (934mm) and 48" (1219mm) inclusive.

- (1) Attach the extension panel to the adjustment panel.
- (2) Open the window sash and place the window panel on the window frame.
- (3) Slide the adjustment and extension panels to fit the window frame height.
- (4) Secure the window panel to the window frame with 4 screws.



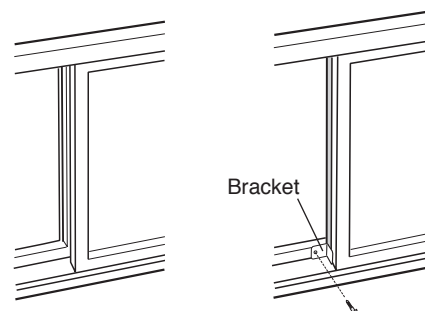
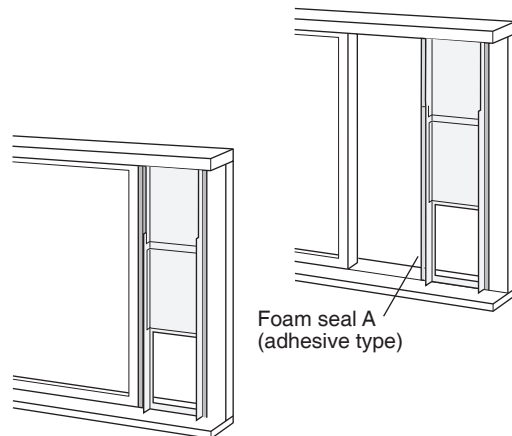
5 Cut the foam seals (adhesive type) A and B to the proper length and attach them to the window panel.

Attach foam seal A to the window panel and extension panel, and attach foam seal B to the adjustment panel.

6 Close the window sash securely against the Window panel.

7 Cut the foam seal to an appropriate length and seal the opening between the side of the inner window sash and the outer window sash.

8 Attach a bracket with the screw.



INSTALLATION AND REMOVAL OF EXHAUST HOSE

The exhaust hose must be installed or removed in accordance with the usage mode.

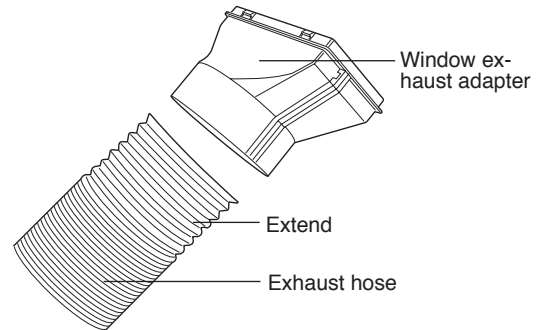
MODE	EXHAUST HOSE
COOL, FAN, VENTILATION, DEHUMIDIFICATION with no container	Install
DEHUMIDIFICATION with container	Remove

Installation of the exhaust hose

1 Attach the window exhaust adapter to the exhaust hose.

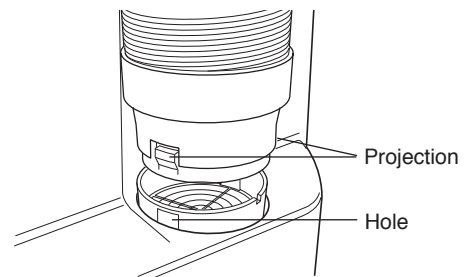
Extend one end of the exhaust hose and insert it into the window exhaust adapter, and turn it (approx. three times) until it stops.

Make sure they are securely attached afterwards.



2 Attach the exhaust hose adapter to the unit.

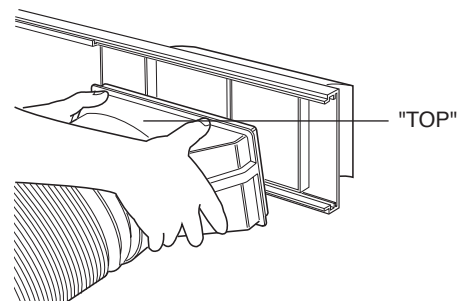
Insert the two projections on the exhaust hose adapter into the two holes on the unit, and firmly attach them to each other.



3 Slide and open the exhaust cover on the window panel, and attach the window exhaust adapter.

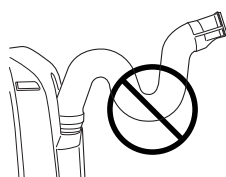
Surface of window exhaust adapter marked "TOP" should be at the top when it is installed in a double-hung sash window.

Surface of window exhaust adapter marked "TOP" should be on the window frame side when it is installed in a sliding sash window.

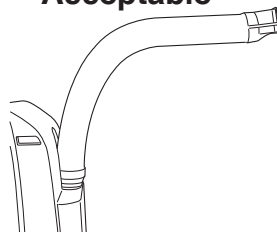


The exhaust hose should be as short as possible for operational efficiency; however, it must not be twisted or bent.

Unacceptable



Acceptable

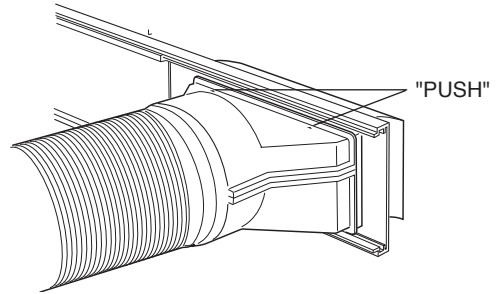


Acceptable



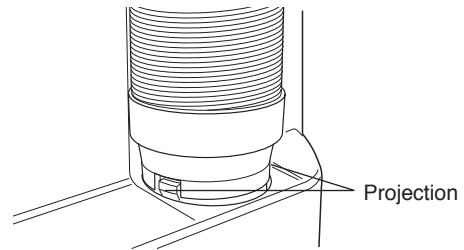
Removal of the exhaust hose

- 1 Remove the window exhaust adapter.**
Pull out and remove the window exhaust adapter by pushing down two "PUSH" markings, and slide and close the exhaust cover in the window panel.



- 2 Remove the exhaust hose adapter from the unit.**

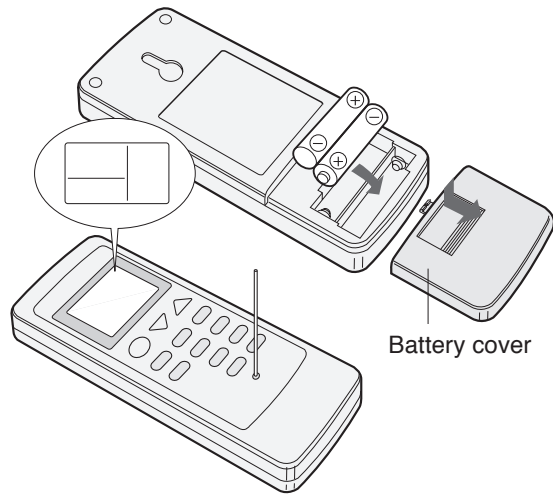
Lift up and remove the exhaust hose adapter from the unit by pushing down on the two projections.



PRE-OPERATION CHECKS

LOADING BATTERIES Use two AAA (R03) batteries.

- 1** Remove the battery cover at the back of the remote control.
- 2** Insert batteries into the compartment, making sure the \oplus and \ominus polarities are correctly aligned.
 - Lines will appear on the display when batteries are properly installed.
- 3** Reattach the battery cover.
- 4** Press the RESET button using a thin pointed implement.



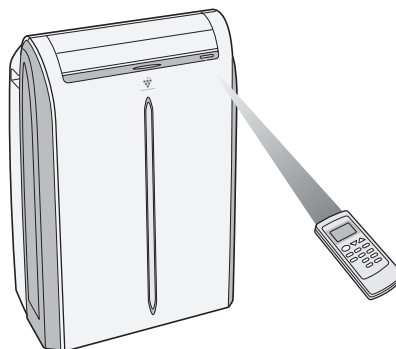
NOTES:

- The battery should last approximately one year under normal use.
- When replacing the batteries, always change both batteries at the same time, and make sure they are the same type.
- If the remote control does not operate normally after replacing the batteries, press the RESET button using a thin pointed implement.
- If you will not be using the unit for a prolonged period, remove the batteries from the remote control.

HOW TO USE THE REMOTE CONTROL

Point the remote control towards the unit's signal receiver window and press the desired button. A beep will sound when the unit receives the signal.

- Make sure nothing, such as curtains, blocks the signal receiver window.
- The remote control operates up to 23 feet (7 meters) away.

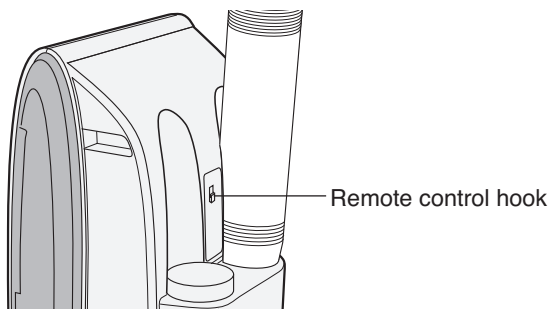


CAUTION

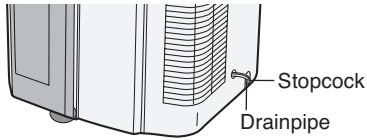
- Do not expose the signal receiver window to direct sunlight. This may adversely affect its operation. If necessary, close the curtains to block out the sunlight.
- Use of a fluorescent lamp in the same room may interfere with transmission of the signal.
- The unit may be affected by signals emitted from other remote controllers for televisions, VCRs or other equipment used in the same room.
- Do not leave the remote control exposed to direct sunlight or near a heater. Protect the remote control from moisture and shock which can discolor or damage it.

To prevent the remote control from being misplaced, hook it to the unit when not in use.

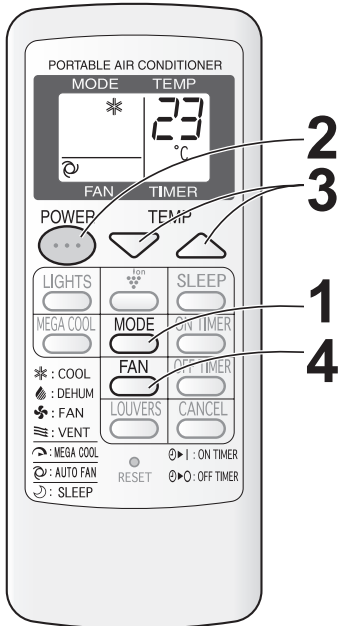
When attached, to remove the remote control from the unit, lift the remote control up slightly and pull it out.



COOL MODE



Ensure that the stopcock is securely attached the drainpipe.



1 Press the **MODE** button to select **COOL** mode.



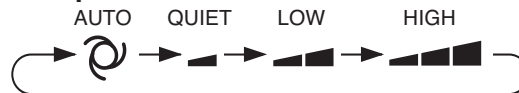
2 Press the **POWER** button to start operation.

- The red OPERATION lamp on the unit will light.

3 Press the **TEMPERATURE** button to set the desired temperature.

- The temperature can be set within the range of 18°C to 30°C.

4 Press the **FAN** button to set the desired fan speed.



TO TURN OFF

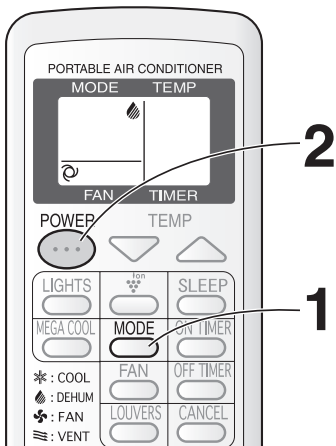
Press the **POWER** button again.

- The red OPERATION lamp on the unit will turn off.

DEHUMIDIFICATION MODE

In this mode, the air conditioner dehumidifies the room.

Ensure that the stopcock is securely attached the drainpipe.



1 Press the **MODE** button to select **DEHUMIDIFICATION** mode.



2 Press the power button to start operation.

- The red OPERATION lamp on the unit will light.
- The temperature cannot be set.
- The fan speed is preset to AUTO and cannot be changed.

TO TURN OFF

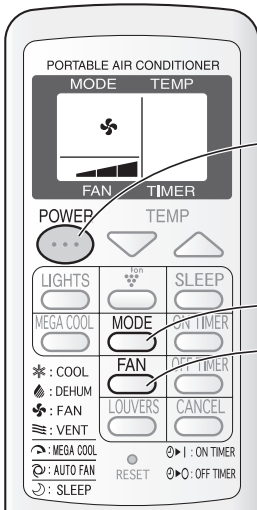
Press the **POWER** button again.

- The red OPERATION lamp on the unit will turn off.

FAN MODE

In this mode, the air conditioner simply circulates the air without cooling it.

Ensure that the stopcock is securely attached to the drainpipe.



1 Press the MODE button to select FAN mode.

COOL DEHUM FAN VENT



2 Press the POWER button to start operation.

- The red OPERATION lamp on the unit will light.
- The temperature cannot be set.

3 Press the FAN button to set the desired fan speed.



TO TURN OFF

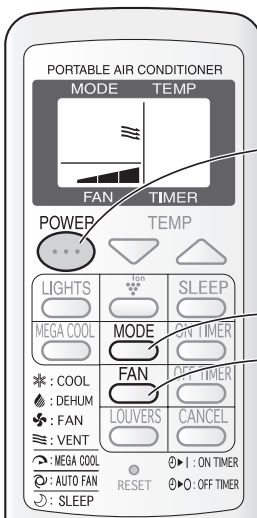
Press the POWER button again.

- The red OPERATION lamp on the unit will turn off.

VENTILATION MODE

In this mode, the air conditioner ventilates the air to outdoors.

Ensure that the stopcock is securely attached to the drainpipe.



1 Press the MODE button to select VENT mode.

COOL DEHUM FAN VENT



2 Press the POWER button to start operation.

- The red OPERATION lamp on the unit will light.
- The temperature cannot be set.

3 Press the FAN button to set the desired fan speed.

- Although the louvers are closed and no air blows out into the room, the external ventilation fan speed changes.



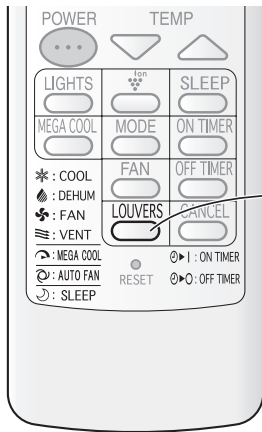
TO TURN OFF

Press the POWER button again.

- The red OPERATION lamp on the unit will turn off.

TO CHANGE AIR FLOW DIRECTION

UP / DOWN AIR FLOW DIRECTION



1 Press the LOUVERS button on the remote control.

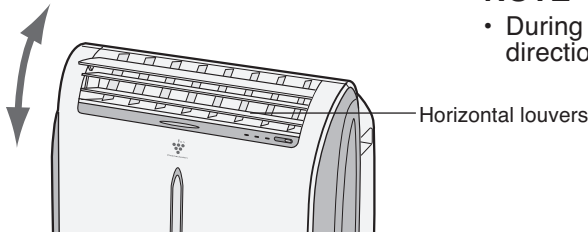
- The horizontal louvers will swing continuously.

2 Press the LOUVERS button again when the horizontal louvers are at the desired position.

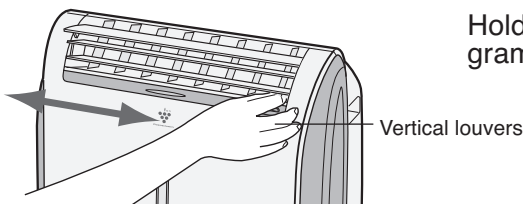
- The horizontal louvers will stop moving.
- The adjusted position will be memorized and the same position will be set automatically when operated the next time.

NOTE

- During VENTILATION mode, UP/DOWN air flow direction cannot be changed.



LEFT / RIGHT AIR FLOW DIRECTION



Hold the vertical louver as shown in the diagram and adjust the air flow direction.

CAUTION

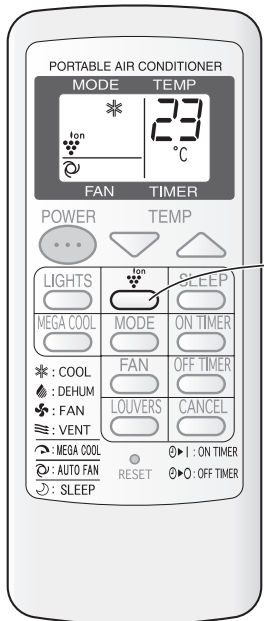
Never attempt to adjust the horizontal louvers manually.

- Manual adjustment of the horizontal louvers can cause the unit to malfunction when the remote control is used for adjustment.
- When the horizontal louvers are positioned at the lowest position in the COOL or DEHUMIDIFICATION mode for an extended period of time, condensation may result.


Do not adjust the vertical louvers to the extreme left or right in the COOL mode with the fan speed set to "QUIET (▲)" for an extended period of time. Condensation may form on the louvers.

PLASMACLUSTER OPERATION

Plasmacluster ions released into the room will reduce some airborne mold.



1 Press the PLASMACLUSTER button during operation.

- The remote control will display “”.
- The blue PLASMACLUSTER lamp on the unit will light.

TO CANCEL

Press the PLASMACLUSTER button again.

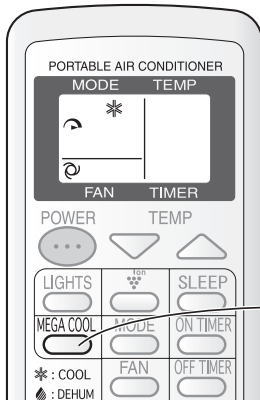
- The PLASMACLUSTER lamp on the unit will turn off.

NOTES:


- Use of the PLASMACLUSTER function will be memorized and it will be activated the next time you turn on the air conditioner.
- To turn off the PLASMACLUSTER Lamp, press the LIGHTS button.
- PLASMACLUSTER operation cannot be set during VENTILATION mode.

MEGA COOL OPERATION

In this operation, the air conditioner fan works at extra high speed with a setting temperature of 15°C.



1 Press the MEGA COOL button during cooling mode.

- The remote control will display "  " .
- The temperature display will go off.
- The green MEGA COOL lamp on the unit will light.

TO CANCEL

Press the MEGA COOL button again.

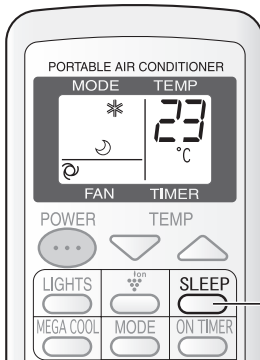
- MEGA COOL operation is also cancelled when the mode is changed, or when the unit is turned off.
- The green MEGA COOL lamp on the unit will turn off.

NOTES:


- You cannot set the temperature or fan speed during MEGA COOL operation.
- The fan returns to the HIGH speed setting after the unit has run for 30 minutes in MEGA COOL mode.
- The extra high fan speed may automatically slow down to protect the unit.

SLEEP OPERATION

When SLEEP operation is set, the temperature setting is automatically adjusted to prevent the room from becoming too cold.



1 Press the SLEEP button during cooling mode.

- The remote control displays "  " .
- The orange TIMER lamp on the unit will light.
- The unit will stop operating after 8 hours.
- The fan speed setting is set to AUTO.

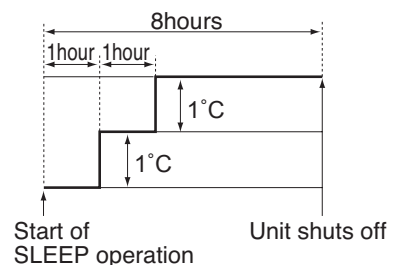
TO CANCEL

Press the SLEEP button.

- The orange TIMER lamp on the unit will turn off.
- SLEEP operation is also cancelled when the mode is changed, or when the unit is turned off.

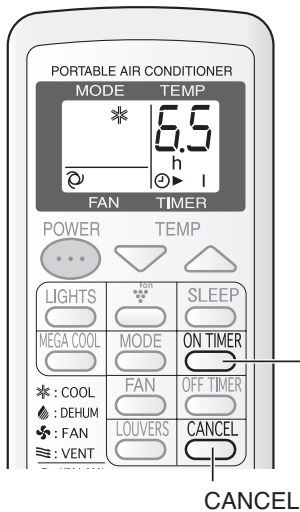
NOTES:

- One hour after the SLEEP operation is started, the temperature setting rises by 1°C and after another hour it rises by an additional 1°C. Temperature display on the remote control will not change from its original setting.
- SLEEP operation and MEGA COOL operation can not be used together.
- The OFF TIMER, ON TIMER and SLEEP operation can not be set together. Only the most recent settings will be used.



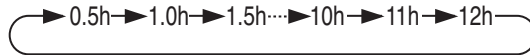
TIMER OPERATION

ON TIMER



1 Press the ON TIMER button.

- The time setting will change as you press the button as follows. Hold the button down to speed through the settings.



- The orange TIMER lamp on the unit will light.
- The time setting will count down to show the remaining time.

Select the mode, temperature, fan speed setting and PLASMACLUSTER operation as desired.

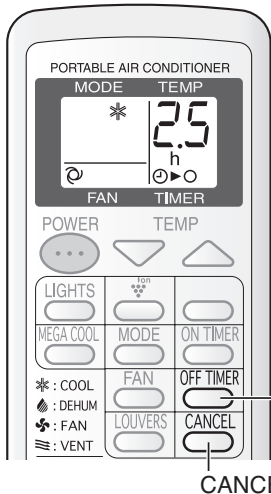
- When the temperature is set with the ON TIMER, the temperature will show in the display for 5 seconds and then return to the time display.
- If you do not change the setting, the unit will operate using the most recent setting.

TO CANCEL TIMER

Press the CANCEL button.

- The orange TIMER lamp on the unit will turn off.

OFF TIMER



1 Press the OFF TIMER button and set the time as desired.

- The time setting will change as you press the button as follows. Hold the button down to speed through the settings.



- The orange TIMER lamp on the unit will light.
- The time setting will count down to show the remaining time.

TO CANCEL TIMER

1 Press the CANCEL button.

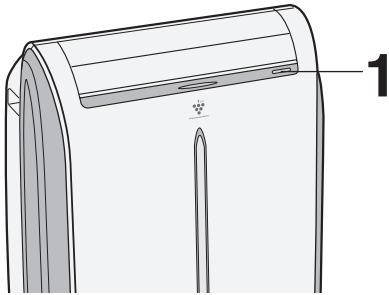
- The orange TIMER lamp on the unit will turn off.

NOTES

- Timer duration can be set from a minimum of half an hour to a maximum of 12 hours. Up to 9.5 hours, you can set in half-hour increments and from 10 to 12 hours, in 1-hour increments.
- The latest time setting will be memorized and will appear on the remote control display the next time you set the OFF TIMER or ON TIMER.
- The OFF TIMER and ON TIMER can not be set together. Only the most recent TIMER setting will be valid.
- If a power failure occurs while the OFF TIMER or ON TIMER is set, the TIMER setting will be cancelled and will not be retrieved even after the power is restored.

MAIN UNIT OPERATION

Use this mode when the remote control is not available.



1 Press the POWER button on the unit.

- The red OPERATION lamp on the unit will light.
- If the unit has not been unplugged since it was last operated, it will resume operation at its last settings.
- If the unit has been unplugged since it was last operated, it will resume operation in the cooling mode, set at 20°C. The fan speed set to AUTO.

TO TURN OFF

Press the POWER button again.

- The red OPERATION lamp on the unit will turn off.

DRAINAGE

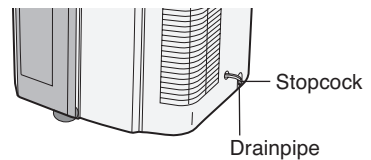
Prepare for drainage and drain out water within the unit in the following cases.

- When the unit stops operating and the TIMER, OPERATION and MEGA COOL lamps are blinking, the water tank is full and need to be drained.
- When the unit is not used for a long time.

1 Unplug the power plug and move the unit to a drain or outside.

2 Remove the stopcock from the drainpipe, and drain water within the unit.

3 Replace the stopcock to the drainpipe.

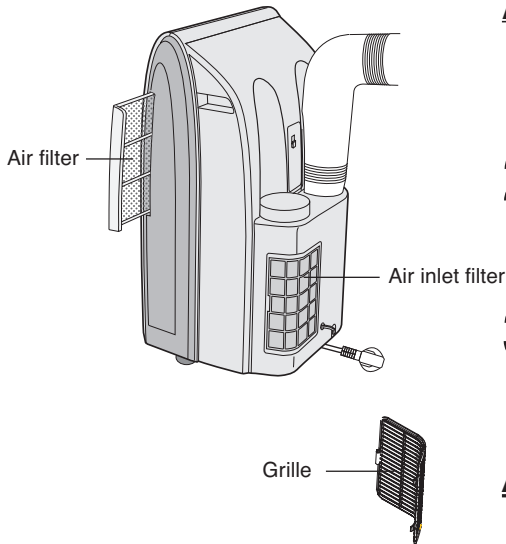


MAINTENANCE

Be sure to disconnect the power from the wall socket before performing any maintenance.

CLEANING THE FILTER

If the filter is clogged with dust, the airflow will be reduced, resulting in poor cooling performance. The filter should be cleaned every two weeks.



AIR FILTER

1 REMOVE THE FILTER

- Gently pull the filter handle to the right and slide the filter out of the unit.

2 CLEAN THE FILTER

- Use a vacuum cleaner to remove any dust. If the filter is very dirty, wash it with detergent and rinse carefully with clean water. Dry the filter in the shade before reinstalling them.

3 REINSTALL THE FILTER

- Hold the filter handle and gently push the filter back into place. Never operate the unit without the filter. Doing so may result in serious damage to the unit.

AIR INLET FILTER (For single-duct type)

Remove the grille and clean the air inlet filter with a vacuum cleaner.

CLEANING THE UNIT AND THE REMOTE CONTROL

Wipe them with a soft, dry cloth or with a cloth moistened with a mild soap. Carefully remove any residue by wiping with a damp cloth and dry completely. Avoid splashing water onto the unit. Water can dangerously damage the electrical insulation. Never use harsh chemicals or abrasive cleaners on any part of the unit. To avoid damaging the unit, do not use hot water (120°F/50°C or hotter) when cleaning.

MAINTENANCE AFTER AIR CONDITIONER SEASON

- 1** Perform drainage to drain out water within the unit.
- 2** Operate the unit in the FAN or VENTILATION mode for about half a day to thoroughly dry inside the unit.
- 3** Clean the filters, then reinstall them.

BEFORE CALLING FOR SERVICE

If the unit appears to be malfunctioning, check the following points before calling for a service.

AIR CONDITIONER DOES NOT OPERATE AT ALL

- Is the unit plugged in or is the plug loose?
- Has the fuse blown or is the circuit breaker tripped?
- Did you restart the unit within 3 minutes of a power failure?
If the power was off for less than 3 minutes when, you restarted the air conditioner, a protective device may cause the compressor to shut off, preventing cooling for about 5 minutes.
- Are the OPERATION, TIMER and MEGA COOL lamps blinking?
The water tank inside the unit is full. It must be drained.
- Check the power plug.

AIR CONDITIONER DOES NOT COOL PROPERLY

- Is it set to FAN, DEHUMIDIFICATION or VENTILATION mode?
Cooling does not take place in these modes. Change the MODE setting.
- Is the filter clogged with dust?
Clean the filter.
- Is the cooling coil frozen?
No air will blow out if the cooling coil is frozen.
Run the air conditioner in FAN mode with the fan speed set to "HIGH" until all ice dissipates.
- Is the temperature set properly?
- Is the window exposed to direct sunlight?
Close the curtains or blinds to minimize solar energy heating the room.
- Is the exhaust hose too long?
For efficient operation, make the hose as short as possible. The exhaust hose must not be twisted or bent.

SOUNDS

- The unit may seem rather loud for the first 2 to 3 minutes when the unit is turned on. This is the sound of the compressor starting-up and is perfectly normal.
- A soft, swishing noise can be heard immediately after the unit is turned on or off, and also during operation. This is the sound of the refrigerant flowing inside the unit.
- A low buzzing noise is emitted when the unit is generating Plasmacluster ions.
- This air conditioner evaporates water condensed during cooling operation within the unit through the exhaust air outlet. Although water flowing sound may be heard, this is normal.
- **An audible gurgling sound may be heard when the unit is operated on a gently sloping floor. Place the unit on a level floor.**

TIMER DOES NOT WORK PROPERLY

- If a power failure occurs while the TIMER is set, the TIMER setting will be cancelled and will not be retrieved even after the power is restored. This is normal for this unit.

THE UNIT FAILS TO REACT TO THE REMOTE CONTROL SIGNAL

- Check the batteries in the remote control. Replace if necessary.
- Try to send the signal again with the remote control pointed directly at the unit's signal receiver window.
- Check whether the remote control batteries are installed with the polarities properly aligned.

THE DISCHARGED AIR HAS AN ODOR

- Plasmacluster ion generator emit small traces of ozone which may produce an odor. These ozone emissions are below safety levels.

Technical Specifications				
Sr No	Parameter		Unit	Value
1	Model			CV-P10LJ
2	Power Supply	Rated Voltage	V~	220-240
		Rated Frequency	Hz	50
		Phases		1
3	Cooling Capacity		W	2930
4	Cooling Power Input		W	1100
5	Cooling Power Current		A	4.80
6	Rated Input		W	1250
7	Rated Current		A	5.80
8	Air Flow Volume(H/M/L)		m ³ /h	350/260/180
9	Dehumidifying Volume		L/h	1
10	EER		W/W	2.66
11	Application Area		m ²	14~20
12	Climate Type			T1
13	Isolation			I
14	Moisture Protection			IP24
15	Permissible Excessive Operating Pressure for the Discharge Side		MPa	3.8
16	Permissible Excessive Operating Pressure for the Suction Side		MPa	1
17	Throttling Method			Capillary
18	Fuse		A	3.15
19	Operation Temp		°C	16°C~30°C
20	Ambient Temp (Cooling)		°C	10°C~35°C
21	Sound Pressure Level (H/M/L)		dB (A)	56/54/52
22	Sound Power Level (H/M/L)		dB (A)	66/65/62
23	Dimension (WXHxD)		mm	500×830×450
24	Dimension of Carton Box (L/W/H)		mm	578x532x862
25	Dimension of Package (L/W/H)		mm	581x535x877
26	Net Weight		kg	41
27	Gross Weight		kg	48

28	Refrigerant		R410A	
29	Refrigerant Charge	kg	0.67	
30	Compressor	Compressor	LANDA COMPRESSOR	
31		Compressor Model	QXA-B102T130	
32		Compressor Oil	RB68EP	
33		Compressor Type	Rotary	
34		L.R.A.	A	19.00
35		Compressor RLA	A	3.90
36		Compressor Power Input	W	850
37	Evaporator	Fan Type	Centrifugal	
38		Diameter Length(DXL)	mm	φ227 X 109
39		Fan Motor Speed(H/ML)	r/min	950/750/500
40		Output of Fan Motor	W	40
41		Fan Motor RLA	A	0.46
42		Fan Motor Capacitor	μF	3.5
43		Form		Aluminum Fin-copper Tube
44		Pipe Diameter	mm	φ7
45		Row-fin Gap	mm	3-1.6
46		Coil Length (LXDXW)	mm	348.5 X38.1X286
47		Swing Motor Model		MP28GA
48	Output of Swing Motor	W	2	
49	Condenser	Fan Type	Centrifugal	
50		Fan Diameter	mm	φ227 X 109
51		Form		Aluminum Fin-copper Tube
52		Pipe Diameter	mm	φ7
53		Rows-fin Gap	mm	3-1.6
54		Coil Length (LXDXW)	mm	348.5X38.1X362
55		Fan Motor Speed	rpm	1130 / 1100 / 1000 / 850
56		Output of Fan Motor	W	50
57		Fan Motor RLA	A	0.48
58		Fan Motor Capacitor	μF	3.5

Technical Specifications				
Sr No	Parameter		Unit	Value
1	Model			CV-P13LJ
2	Power Supply	Rated Voltage	V~	220-240
		Rated Frequency	Hz	50
		Phases		1
3	Cooling Capacity		W	3550
4	Cooling Power Input		W	1360
5	Cooling Power Current		A	6.00
6	Rated Input		W	1550
7	Rated Current		A	7.20
8	Air Flow Volume(H/M/L)		m ³ /h	350/260/180
9	Dehumidifying Volume		L/h	1
10	EER		W/W	2.61
11	Application Area		m ²	18~24
12	Climate Type			T1
13	Isolation			I
14	Moisture Protection			IP24
15	Permissible Excessive Operating Pressure for the Discharge Side		MPa	3.8
16	Permissible Excessive Operating Pressure for the Suction Side		MPa	1
17	Throttling Method			Capillary
18	Fuse		A	3.15
19	Operation Temp		°C	16°C~30°C
20	Ambient Temp (Cooling)		°C	10°C~35°C
21	Sound Pressure Level (H/M/L)		dB (A)	57/55/53
22	Sound Power Level (H/M/L)		dB (A)	67/66/63
23	Dimension (WXHxD)		mm	500×830×450
24	Dimension of Carton Box (L/W/H)		mm	578x532x862
25	Dimension of Package (L/W/H)		mm	581x535x877
26	Net Weight		kg	43
27	Gross Weight		kg	50

28	Refrigerant		R410A	
29	Refrigerant Charge	kg	0.95	
30	Compressor	Compressor	MITSUBISHI	
31		Compressor Model	RN125VHFMC	
32		Compressor Oil	PVE(FV50S or similar)	
33		Compressor Type	Rotary	
34		L.R.A.	A	23.00
35		Compressor RLA	A	4.70
36		Compressor Power Input	W	1030
37		Evaporator	Fan Type	Centrifugal
38	Diameter Length(DXL)		mm	φ227 X 109
39	Fan Motor Speed(H/ML)		r/min	950 / 800 / 600
40	Output of Fan Motor		W	40
41	Fan Motor RLA		A	0.46
42	Fan Motor Capacitor		μF	3.5
43	Form			Aluminum Fin-copper Tube
44	Pipe Diameter		mm	φ7
45	Row-fin Gap		mm	3-1.6
46	Coil Length (LXDXW)		mm	348.5 X38.1X286
47	Swing Motor Model			MP28GA
48	Output of Swing Motor		W	2
49	Condenser	Fan Type	Centrifugal	
50		Fan Diameter	mm	φ227 X 109
51		Form		Aluminum Fin-copper Tube
52		Pipe Diameter	mm	φ7
53		Rows-fin Gap	mm	4-1.6
54		Coil Length (LXDXW)	mm	348.5X50.8X362
55		Fan Motor Speed	rpm	1130 / 1100 / 1000 / 850
56		Output of Fan Motor	W	50
57		Fan Motor RLA	A	0.48
58		Fan Motor Capacitor	μF	3.5

SHARP

WARRANTY

Consumer Electronic Products

Congratulations on Your Purchase!

This Sharp product is warranted against faults in materials and manufacture for a period of twelve (12) months from the date of original purchase. (excluding lamps and air filters.)

If service is required during the warranty period, please contact your nearest Sharp Approved Service Centre. These repairs would be carried out at no charge to the owner, subject to the conditions specified herein.

The owner is responsible for any transportation and insurance costs if the product has to be returned for repair.

This warranty does not extend to accessories or defects or injuries caused by or resulting from causes not attributable to faulty parts or the manufacture of the product, including but not limited to, defect or injury caused by or resulting from misuse, abuse, neglect, accidental damage, improper voltage, liquid spillage, vermin infestation, software, or any alterations made to the product which are not authorised by Sharp.

Please retain your sales documentation, as this should be produced to validate a warranty claim.

This warranty is in addition to and in no way limits, varies or excludes any express and implied rights and remedies under any relevant legislation in the country of sale.

IMPORTANT
DO NOT RETURN THIS DOCUMENT TO SHARP

For your reference, please enter the particulars of your purchase below and retain, with your purchase documentation.

Model No. _____

Serial No. _____

Date of Purchase _____

Retailer _____

SHARP
SHARP CORPORATION OF AUSTRALIA PTY. LIMITED
ABN 40 003 039 405
1 Huntingwood Drive
Huntingwood NSW 2148
SHARP CORPORATION OF NEW ZEALAND LIMITED
89 Hugo Johnston Drive
Penrose, Auckland

SPForm030 (FEB 2010)

IMPORTANT NOTICE: This warranty applies only to products sold in Australia & New Zealand

SHARP

FOR LOCATION ENQUIRIES WITHIN

AUSTRALIA

REGARDING YOUR LOCAL

SHARP APPROVED SERVICE CENTRE

VISIT OUR WEBSITE AT

www.sharp.net.au

OR CALL SHARP CUSTOMER CARE

1300 135 022

(LOCAL CALL COST APPLY WITHIN AUSTRALIA)

SHARP CORPORATION OF AUSTRALIA PTY LTD

SHARP

FOR LOCATION ENQUIRIES WITHIN

NEW ZEALAND

REGARDING YOUR LOCAL

SHARP APPROVED SERVICE CENTRE

VISIT OUR WEBSITE AT

www.sharp.net.nz

CONTACT YOUR SELLING DEALER/RETAILER

OR CALL

SHARP CUSTOMER SERVICES

TELEPHONE: 09 573 0111

FACSIMILE: 09 573 0113

SHARP CORPORATION OF NEW ZEALAND LIMITED



SHARP[®]

SHARP CORPORATION OF AUSTRALIA PTY LTD

ABN 40 003 039 405

1 Huntingwood Drive HUNTINGWOOD NSW 2148

www.sharp.net.au □ □

66129905937