

# DIGITAL DELAY

## DD 1

Owner's Manual



**DeltaLab<sup>®</sup>**

---

# IMPORTANT SAFEGUARDS

For your protection, please read these safety instructions completely before operating the appliance, and keep this manual for future reference. Carefully observe all warnings, precautions and instructions on the appliance and described in the operating instructions supplied with the appliance.

## INSTALLATION

**Keep Away From Children:** In households with small children, an adult should provide supervision until the child is capable of following all the rules essential for the safe operation of the unit. All cords and cables should be placed so they are out of reach of children.

**Water and Moisture:** Do not use this product near water, such as in or near a bathtub, sink, wet basement, swimming pool or in the rain. Never handle the AC adaptor with wet hands.

**Heat:** Do not use this product in areas subject to temperature extremes, such as in direct sunlight in an enclosed space, near a heat source or on top of heat generating equipment.

**Ventilation:** This product and any AC adaptor should be located so their location does not interfere with proper ventilation.

**Power Source:** Connect this product to a power supply only of the type described in the operation instructions or as marked on the unit. When using batteries, carefully follow the installation instructions and make sure you observe the proper polarity. If used improperly, batteries



may explode or leak and cause damage or injury. Check to make sure that the AC receptacle holds the power cord plug securely. If the power cord plug is loose or damaged, contact your electrician to replace the defective and unsafe power cord.

**Power Cord Protection:** Place the power cord so that it is not likely to be walked on or pinched by having objects placed on it. Prevent cords and cables from becoming entangled. Do not use the power supply cord in an outlet with an unreasonable number of other devices. Excessive loads can cause the insulation on the cord to heat up and eventually melt.

**Grounding or Polarization:** Do not defeat the grounding or polarization feature of the AC power cord. If your AC receptacle will not accept the power cord plug, contact your electrician to install a proper AC receptacle.

**When Not in Use:** Unplug the power cord from the outlet and remove the batteries when left unused for an extended period of time. To disconnect the power cord, pull it out by grasping the plug. Never pull the plug out by the cord.

**WARNING** To prevent fire or hazard, do not expose the unit to rain or moisture.



This symbol is intended to alert the user to the presence of non-insulated "dangerous voltage" within the products enclosure.



This symbol is intended to alert the user to the presence of important operating and maintenance (servicing) instructions in the literature accompanying the unit.

**Foreign Objects:** Be careful that foreign objects and liquids do not enter the enclosure.

**Cleaning:** Unplug the unit before cleaning. Do not use liquid or aerosol cleaners. Use a damp cloth for cleaning and allow the unit to dry before plugging it in.

**Foreign Use:** Before using this unit in a foreign country, consult with your retailer or the manufacturer.

**Servicing:** Do not open or modify the unit or the AC adaptor. Unplug the unit and consult qualified service personnel when:

- the power cord or the plug has been damaged;
- an object or liquid has fallen into the unit;
- the unit has been exposed to moisture;
- the unit does not appear to be operating normally or exhibits a change in performance;
- the unit has been dropped or damaged.

Do not attempt to repair or service the product beyond what is described in the operating instructions. For all other servicing, refer to qualified service personnel.

<b>FEATURES</b> .....	<b>2</b>
<b>SPECIFICATIONS</b> .....	<b>3</b>
<b>CONTROLS AND CONNECTIONS</b> .....	<b>4</b>
<b>OPERATION</b> .....	<b>5</b>
<b>NOTES</b> .....	<b>6</b>
<b>BATTERY REPLACEMENT</b> .....	<b>7</b>
<b>APPLICATION</b> .....	<b>8</b>
<b>WARRANTY</b> .....	<b>9</b>

# FEATURES

---

## **Thank you for purchasing a DeltaLab™ DD1 Digital Delay Pedal!**

The DD1 Digital Delay creates echo effects from short slap-back to longer repeating echo. The DD1 adds echo effects to the sound of electric guitar and electronic keyboards.

### **Features:**

- **Sturdy metal case design**
- **True bypass switching**
- **Easy to use Time, Repeats and Level controls**
- **Dual outputs**
- **Powered by either a 9 Volt battery or a DeltaLab PS9 DC adapter (not included)**
- **5 Year Warranty**
- **Sounds great!**



**Input Impedance**

500K ohms

**Output Load Impedance**

>10K ohms

**Equivalent Input Noise**

-100dBm

**Power Supply**

One 9 Volt Battery or external 9VDC adapter

**Power Consumption**

20mA

**Size**

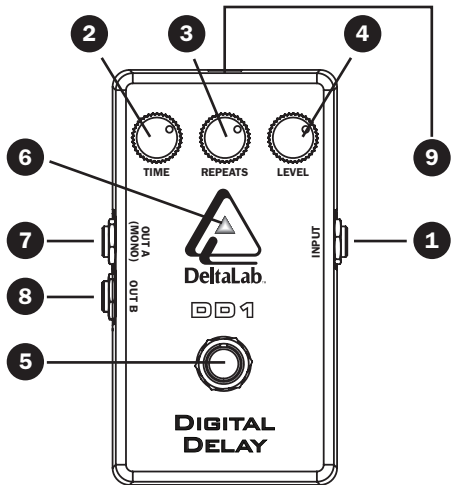
4.75 X 2.50 X 1.38

**Weight**

1.2lbs

## CONTROLS AND CONNECTIONS

---



1. **Input** - Connect your instrument to input jack. The circuit is turned on when a cable is inserted.
2. **Time** - Adjusts speed of echo repeats.
3. **Repeats** - Adjusts how many times the echoes are heard.
4. **Level** - Adjusts the amount of effect heard.
5. **True Bypass Switch** - Engages and disengages the effect.
6. **LED indicator** - Indicator is on when effect is engaged. If LED is dim or does not light when effect is engaged, replace the battery.
7. **Out A (Mono)** - Provides a single effected signal output.
8. **Out B** - Provides a second effected signal for stereo output with Out A.
9. **External DC power jack** - Plug an external 9 Volt wall adapter here. When using an external adapter, the battery is switched off.

## NOTES

---

1. To avoid damage to electronics and speakers, always turn down the amplifier when connecting or disconnecting effects or an instrument.
2. Disconnect the battery when storing the unit for long periods of time.
3. A loss of delay signal will occur when the battery is running low. If so, replace the 9 Volt battery.

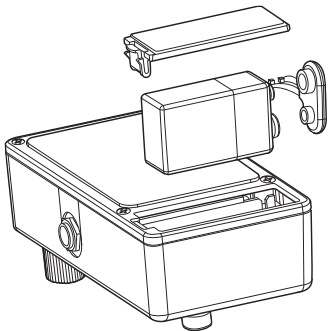


## BATTERY REPLACEMENT

---

1. Push the tab on the battery cover and lift.
2. Carefully unplug battery.
3. Replace battery with standard 9 Volt battery.
4. Close cover.

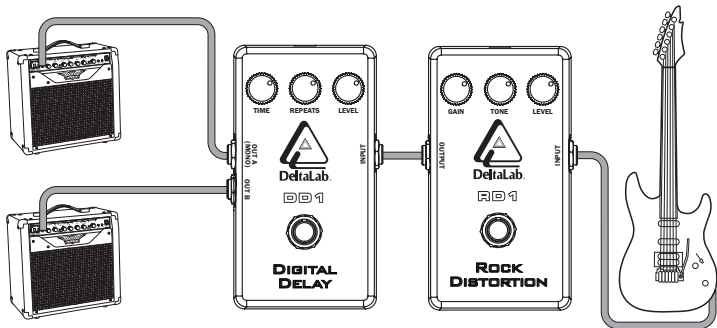
***Unplugging cables from input of DD1 when not in use will turn the unit off and prolong battery life.***



## APPLICATION

---

We recommend placing the DeltaLab Digital Delay before your amplifier and after other effects such as DeltaLab SC1 Stereo Chorus or RD1 Rock Distortion. Feel free to experiment with placement in the effects chain. Different placements will result in different tones.





## **Five (5) Year Limited Warranty and Remedies**

Subject to the limitations below, DeltaLab™ warrants to the original owner that the components of this product are free from defects in workmanship and materials, subject to normal use and service, for five years from the date of purchase. DELTALAB™ MAKES NO OTHER WARRANTIES, EXPRESS OR IMPLIED, INCLUDING, BUT NOT LIMITED TO, ANY IMPLIED WARRANTY OF MERCHANTABILITY OR FITNESS FOR A PARTICULAR PURPOSE OR ANY IMPLIED WARRANTY ARISING OUT OF A COURSE OF DEALING, CUSTOM OR USAGE OF TRADE. User is responsible for determining whether this product is fit for a particular purpose and suitable for user's application. If the product is defective within the warranty period, user's exclusive remedy and manufacturer's sole obligation will be, at its option, to replace the product or refund the purchase price. Except where prohibited by law, manufacturer and seller will not be liable for any loss or damage arising from the product, whether direct, indirect, special, incidental or consequential, regardless of the legal theory asserted, including warranty, contract, negligence or strict liability.

## **CALIFORNIA PROP 65 WARNING**

This product may contain a chemical(s) known to the state of California to cause cancer or birth defects or other reproductive harm.

## **DeltaLab, P.O. Box 5111, Thousand Oaks, CA 91359-5111**

All trademarks and registered trademarks mentioned herein are recognized as the property of their respective holders.

Made in China      0903 8174.02

[www.deltalabeffects.com](http://www.deltalabeffects.com)



**DeltaLab®**

**P.O. Box 5111  
Thousand Oaks, CA 91359-5111  
U.S.A.**

**[www.deltalabeffects.com](http://www.deltalabeffects.com)**