



# Instruction manual for Aufero island hood

Model code: AUF900



Contact Cadle on 0844 800 3830 or for spare parts [www.4cadle.co.uk](http://www.4cadle.co.uk)

## Warning

Your cooker hood is for domestic use only, not suitable commercial use.

Keep children from using the cooker hood.

Any installation work must be carried out by a qualified electrician or competent person.

The cooker hood and its filter mesh should be cleaned regularly in order to keep in good working order.

Before cleaning, always ensure that you have switched your cooker hood off.

Clean the cooker hood according to the instruction manual and keep the cooker hood from the danger of burning.

Do not use fire for drying your cooker hood.

If there is any fault with your cooker hood, please call the service department appointed by Caple.

Please keep the room ventilated when your cooker hood and gas hob are working.

Do not exhaust the cooker hood through the same heated flue which is used for the gas hob or other kitchen appliances.

Thank you for purchasing this Caple cooker hood. Please read the instruction manual carefully before you use the hood, and keep it in a safe place.

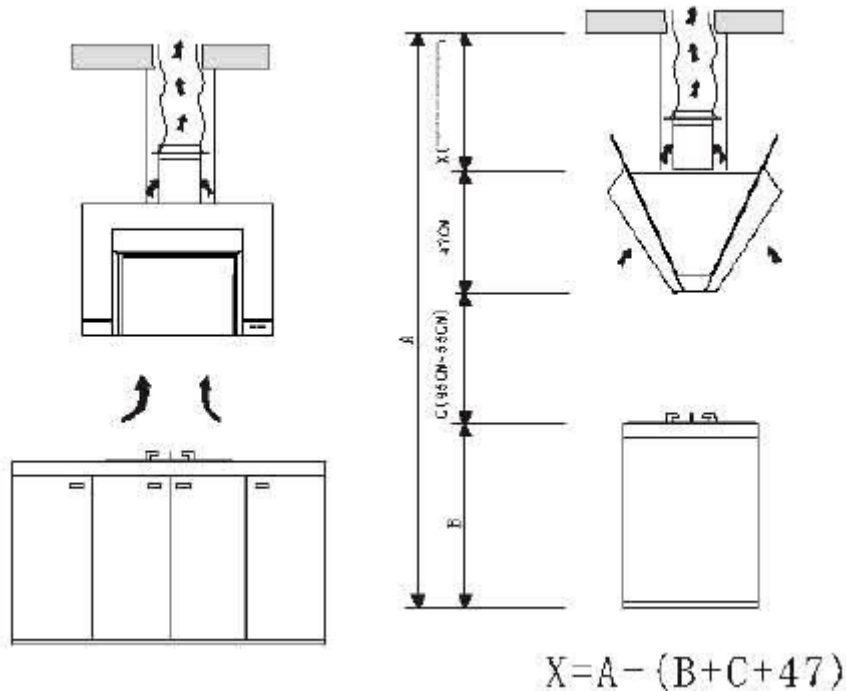
· The installation work must be carried out by a qualified electrician or competent person. Before you use the cooker hood, make sure that the voltage (V) and the frequency (Hz) indicated on the cooker hood are exactly the same as the voltage (V) and the frequency (Hz) in your home.

· The manufacturer and the agent will not bear any responsibility for the damage caused by inappropriate installation and usage.

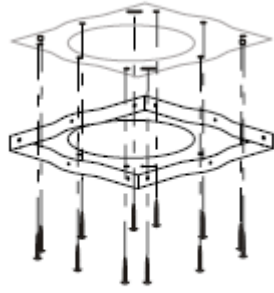
## Function and Feature

1. The cooker hood is made of high quality materials perfect your kitchen.
2. It is equipped with a high power low noise electric motor and centrifugal leaf, it produces strong suction, low noise. It includes a non stick grease filter which is easy to clean.
3. The grease filter is easy to remove and clean, only wipe the motor and other interior parts lightly.

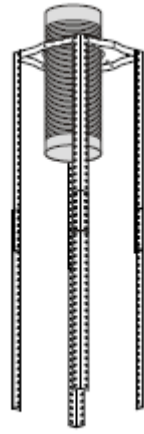
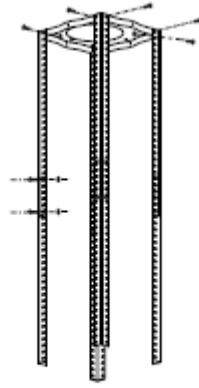
## Installation



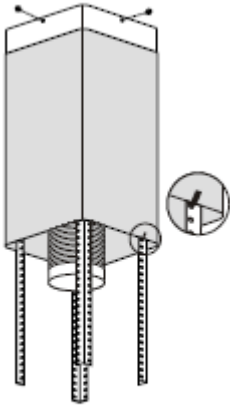
1. The ceiling must bear at least 120kgs weight, and the thickness of the ceiling must be  $\geq 30$ MM, see pic 1, drill 1\*170mm round hole in the ceiling.
2. According to the hanging board, drill 12 holes in the ceiling, see pic 1, 12pcs of ST6\*40mm big flat screws will be used to fix the hanging board on the ceiling, and then 8pcs of M4\*10 screws and M4 nut with gasket will be used to connect the angle iron into the hanging board, see pic 1, calculated the length of the angle iron, and 16pcs M4\*10 big flat screws and M4 nut with gasket will be used to connect the angle iron and another angle iron ( the overlap length of angle iron cannot be less than 100MM.)
3. Let the one side of the extensible pipe go outside through the hole of 170MM, see pic 2.
4. 4pcs ST4\*8 big flat screws will be used to connect the internal chimney into the hanging board, then put one the external chimney, one hook will be used to put up the external chimney in order to the next installation, see pic 3.
5. 4pcs ST4\*8 big flat screws will be used to install the outlet, see pic 4 (if the air suction of the motor is 1000m<sup>3</sup>/h, pls skip this step)
6. Hold up the hood, 16pcs M4\*10 big flat screws will be used to connect the hood body into angle iron, see pic 5.
7. Put the extensible pipe on the outlet; after ensuring all the fixings are ok, put down the hook, take from the external chimney, all the installation is finished, see pic 7.



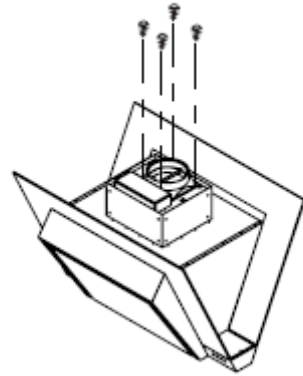
①



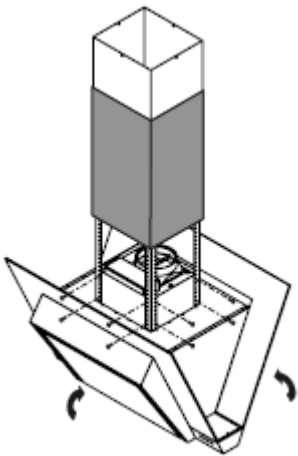
②



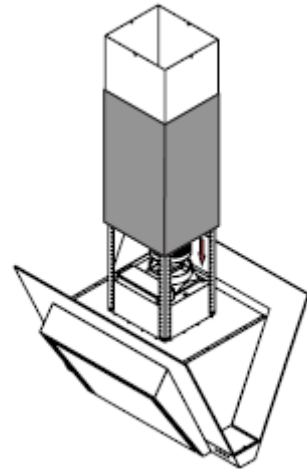
③



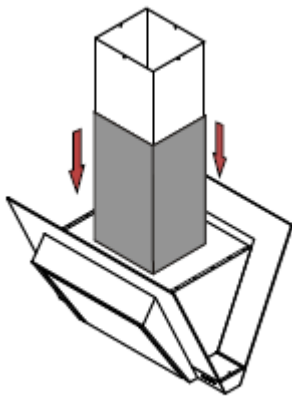
④



⑤



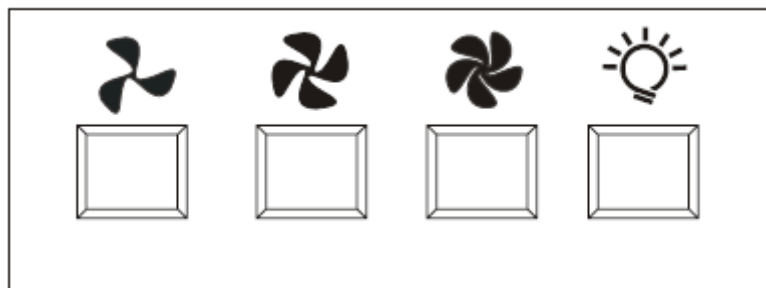
⑥



⑦

## How to use the control panel:

- Press the button "Low", the inner indicator light of switch illuminates, the motor is running at low speed. Press the button again, the motor stops.
- Press the button "Mid", the inner indicator light of switch illuminates, the motor is running at medium speed. Press the button again, the motor stops.
- Press the button "High", the inner indicator light of switch illuminates, the motor is running at high speed. Press the button again, the motor stops.
- Press the button "Light", both lights switch on. Press the button again, the lights are switched off.



## Maintenance

It is recommended to operate the appliance prior to cooking.

There shall be adequate ventilation of the room when the cooker hood is used at the same time as appliances burning gas or other fuels(not applicable to appliances that only discharge the air back into the room).

It is recommended to leave the appliance in operation for 15 minutes after cooking is terminated in order to completely eliminate cooking vapours and odours.

If the appliance is not used, please turn off.

Don't have flames directly under the cooker hood.

Do not use or stop use if the appliance is damaged especially the supply cord and the casing.

If the supply cord is damaged, it must be replaced by the manufacturer, its service agent or similarly qualified persons in order to avoid a hazard.

Don't immerse the appliance in liquid.

The exhaust air must not be discharged into a flue which is used for exhausting fumes from appliance burning gas or other fuels.

Regulations concerning the discharge of air have to be fulfilled.

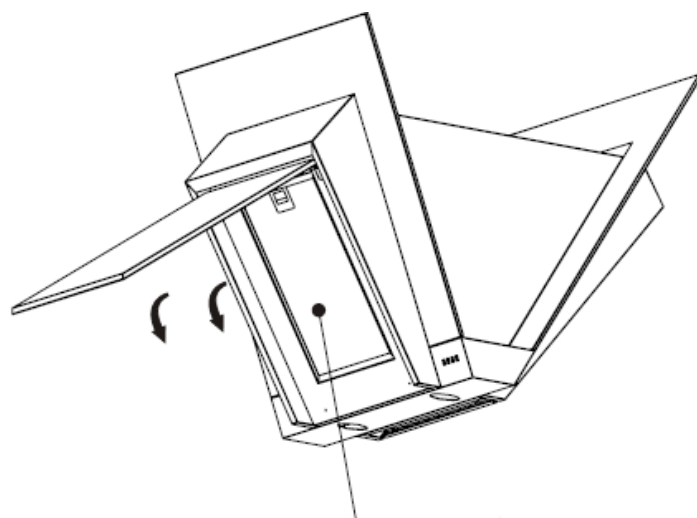
The details concerning the method and frequency of cleaning follow.

In order to prevent a fire hazard, it is recommended cleaning the filter at a maximum of 2 month intervals by carrying out the following:

--Unplug before cleaning, then remove the filters from the cooker hood and wash them in a solution of water and neutral liquid detergent, leaving to soak.

-Rinse thoroughly with warm water and leave to dry.

-The filters may also be washed in the dishwasher.



Aluminium filter

The aluminium panels may alter in colour after several washes. This is not cause for customer complaint or replacement of panels.

Clean the surface of the cooker hood regularly using cloth moistened with denatured alcohol or non abrasive liquid detergent. (Note: You cannot clean the motor and inside section.)

Replace filters approximately every 4 months.

There is a fire risk if cleaning is not carried out in accordance with the instruction.

### **Attention:**

- Use 220-240V 50Hz power;
- Cut off the power before cleaning.
- Do not use fire to dry the filter or any other parts.

·Do not dismantle the filters

·If the plug wire or plug become damaged, you must use the specific flexible wire or contact the Caple service centre on 0844 800 3830

### **GUARANTEE CONDITIONS**

Caple undertake that if within twelve months of the date of the purchase this built-in appliance or any part thereof that is proved to be defective by reason only of faulty workmanship or materials, the company will, at our option repair or replace the same FREE OF ANY CHARGE for labour, materials or carriage on condition that:

- Documentation must be provided BEFORE a guarantee repair is commenced that the extractor is within the 12 month guarantee period.
- The appliance has been correctly installed and used only on the electrical supply stated on the rating plate.
- The appliance has been used for normal domestic purposes only, and in accordance with the manufacturer's operating and maintenance instructions.
- The appliance has not been serviced, maintained, repaired, taken apart or tampered with by any person not authorised by us.
- All service work under this guarantee must be undertaken by Caple Service Centre.
- Any appliance or defective part replaced shall become the property of this company.
- Home visits are made between **8.30am and 5.30pm Monday to Friday.**
- **If a service call is made and it is found that the installation has not been carried out correctly or customer misuse/abuse is involved THE COST OF THE SERVICE CALL HAS TO BE PAID FOR BY THE USER BEFORE ANY SERVICE WORK IS CARRIED OUT.**

### **EXCLUSIONS**

**This Guarantee does not cover:**

- Damage or calls resulting from transportation, improper use or neglect, the replacement of any light bulbs or removable parts of glass or plastic.
- Costs incurred for calls to put right appliances improperly installed or calls to appliances outside the United Kingdom.
- Appliances found to be in use within a commercial environment, plus those which are the subject of rental agreements.
- This guarantee is in addition to your statutory and legal rights.





# Cable

Service Centre Tel: 0870 800 3830

[www.cable.co.uk](http://www.cable.co.uk)