



PROFESSIONAL C-24W WOK COOKTOP

Use and Care Manual



MODEL
C-24W



A MESSAGE TO OUR CUSTOMERS

Thank you for selecting this Professional DCS Wok Cooktop. Because of this appliance's unique features we have developed this Use and Care Guide. It contains valuable information on how to properly operate and maintain your new appliance for years of safe and enjoyable cooking.

To help serve you better, please fill out and submit your Product Registration by visiting our website at www.dcsappliances.com and selecting "Customer Care" on the home page and then select "Product Registration". In addition, keep this guide handy, as it will help answer questions that may arise as you use your new appliance.

For your convenience, product questions can be answered by a DCS Customer Care Representative by phone: 1-888-936-7872, or email: customer.care@fisherpaykel.com.

NOTE: Please write the Model and Serial Numbers on this page for references (located on the front frame, right lower corner)

MODEL NUMBER _____ SERIAL NUMBER _____

NOTE: Inspect the product to verify that there is no shipping damage. If any damage is detected, call the shipper and initiate a damage claim. DCS by Fisher & Paykel is not responsible for shipping damage.

DO NOT discard any packing material (box, pallet, straps) until the unit has been inspected.

WARNING!

Improper installation, adjustment, alteration, service or maintenance can cause property damage, injury or death. Read the installation, operating and maintenance instructions thoroughly before installing, using or servicing this equipment.

WARNING!

If the information in this manual is not followed exactly, a fire or explosion may result causing property damage, personal injury or death.

Do not store or use gasoline or other flammable vapors and liquids in the vicinity of this or any other appliance.

DANGER

If You Smell Gas:

1. Do not try to light any appliance.
2. Do not touch any electrical switch; do not use any phone in your building.
3. Immediately call your gas supplier from a neighbor's phone. Follow the gas supplier's instructions.
4. If you cannot reach your gas supplier, call the fire department.
5. Installation and service must be performed by a qualified installer, service agency or the gas supplier.

WARNING!

To reduce the risk of injury to persons in the event of a cooktop grease fire, observe the following: Turn burner OFF first. Smother flames with a close-fitting lid, cookie sheet, metal tray, baking soda or use a dry chemical or foam-type fire extinguisher. Be careful to prevent burns. If the flames do not go out immediately evacuate and call the fire department. Never pick up a flaming pan - You may be burned. DO NOT USE WATER ON GREASE FIRES, including wet dishcloths or towels - a violent steam explosion will result. Use an extinguisher ONLY if:

1. You know you have a Class ABC extinguisher, and you already know how to operate it.
2. The fire is small and contained in the area where it started.
3. The fire department is being called.
4. You can fight the fire with your back to an exit.

PLEASE RETAIN THIS MANUAL FOR FUTURE REFERENCE.

TABLE OF CONTENTS

SAFETY PRACTICES AND PRECAUTIONS	3-4
BEFORE USING YOUR WOK COOKTOP	5
USING THE WOK	
General Use	6
BEFORE USING YOUR WOK PAN	
Operation - Wok Pan	7
CARE & MAINTENANCE	
Cleaning	8
HOW TO OBTAIN SERVICE	9
WARRANTY	10

SAFETY PRACTICES AND PRECAUTIONS

Your new DCS Professional appliance has been designed to be a safe and reliable appliance. However, use extreme care when using this restaurant caliber appliance as it provides intense heat and can increase the accident potential. Basic safety precautions must be followed, including the following:

Read all instructions carefully before using this appliance to reduce the risk of fire, electric shock, or injury to persons.

- Be sure your appliance is properly installed and grounded by a qualified technician in accordance with the installation instructions provided with the unit. Have the technician show you the location of the gas shut-off valve so that you know how and where to turn off the gas.
- If you smell gas, your installer has not done a proper job of checking for leaks. Connections can loosen in transit. If the connections are not perfectly tight, you can have a small leak and, therefore, a faint gas smell. Finding a gas leak is not a do-it-yourself procedure. Call the installer to recheck the installation as some leaks can only be found with the burner control in the ON position.
- Do not repair or replace any part of the appliance unless specifically recommended in this manual. All servicing should be referred to a qualified technician.
- Never block the front face of the unit as it will affect the flow of combustion and ventilation of air.
- Children should not be left alone or unattended in an area where appliances are in use. They should never be allowed to sit or stand on any part of the appliance.

CAUTION:

Do not store items of interest to children above this unit or at the back of it. If children should climb onto an appliance to reach these items, they could be seriously injured.

When using this appliance: DO NOT TOUCH IT OR THE AREAS NEAR IT. Areas adjacent to the appliance may become hot enough to cause burns.

- Never let clothing, potholders, or other flammable materials come in contact with or too close to any appliance while in operation. Fabric may ignite and result in personal injury.
- For personal safety, wear proper apparel. Loose fitting garments or hanging sleeves should never be worn while cooking. Some synthetic fabrics are highly flammable and should not be worn while cooking.



WARNING:

This appliance is for cooking. Based on safety considerations, never use the Wok to warm or heat a room.

- Clean any appliance with caution. A wet sponge or cloth used to wipe spills on a hot cooking area can result in steam burns. Some cleaners can produce noxious fumes if applied to a hot surface. Follow directions provided by the cleaner manufacturer.
- Never use any part of an appliance for storage. Flammable materials can catch fire and plastic items may ignite or melt.
- **Do not use aluminum foil as a shield** against food spills or drippings around any appliance. This could obstruct the flow of combustion and ventilation air.
- **GREASE IS FLAMMABLE.** Let hot grease cool before attempting to handle it. Avoid letting grease deposits collect in the drip tray under the wok. **Clean the tray after each use.**
- **DO NOT USE WATER ON A GREASE FIRE.** Use a dry chemical or foam-type extinguisher, or smother fire with baking soda.

SAFETY PRACTICES AND PRECAUTIONS

- If the appliance is near a window, **be certain the curtains cannot blow over or near it** - they could catch fire.
- The **ventilation hood and the filters** above your appliance should be cleaned **frequently**, so grease from cooking vapors will not accumulate on them.
- **If a burner goes out and gas escapes**, turn the control knob off. Open a window or door. Do not attempt to use any appliance until the gas has had time to dissipate. **Wait at least 5 minutes before using a gas appliance.**
- Be sure all appliance controls are turned off and they are cool before using any type of aerosol cleaner on or around any gas appliance. The chemical that produces the spraying action could, in the presence of heat, ignite or cause metal parts to corrode.
- Never leave the wok unattended when on. Greasy spill-overs may ignite. More importantly, if the burner flames are smothered, unburned gas may escape into the room.
- California Proposition 65 -



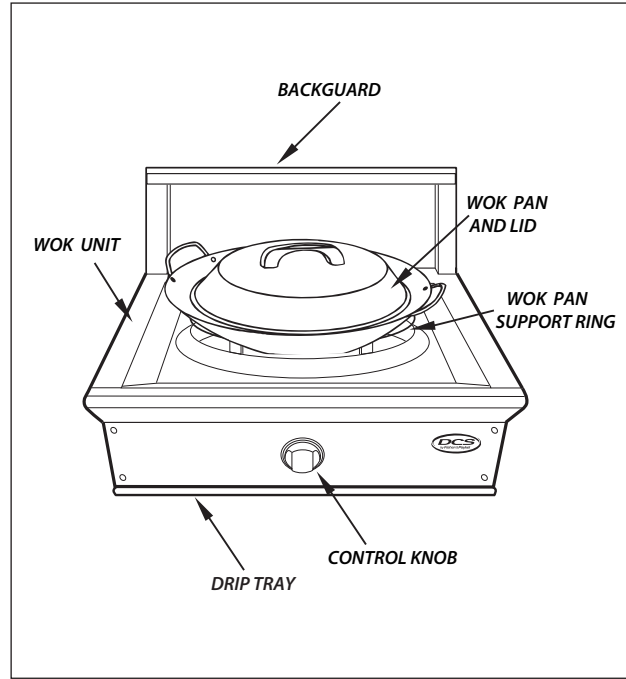
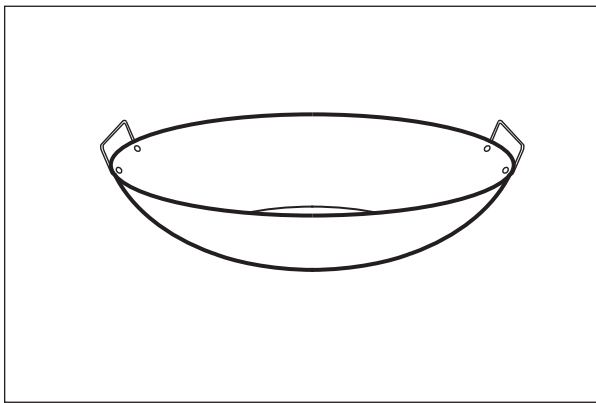
WARNING:

Burning gas cooking fuel generates some by-products which are on the list of substances which are known, by the State of California to cause cancer or reproductive harm. California law requires businesses to warn customers of potential exposure to such substances. To minimize exposure to these substances, always operate these units according to the instructions contained in this booklet and provide good ventilation.

SAVE THESE INSTRUCTIONS

BEFORE USING YOUR WOK COOKTOP

1. Check to be certain the drip tray is in place.
2. Place wok pan into support ring before turning on the wok.
3. Turn the control knob to the setting preferred and cook as desired.



USING THE WOK COOKTOP

GENERAL USE

BURNER

Your new DCS Professional Wok Cooktop is equipped with a heavy cast iron burner typical of those used in restaurants. It is designed with an electric spark ignition to eliminate the continuous pilot found on a restaurant wok. The burner is rated at 30,000 BTU/HR.

NOTE: *When used with propane gas, a slight pop or flash may occur at the burner ports a few seconds after the burner has been turned off. This usually occurs after the burner has been on an extended period of time. This is a normal part of operation for your wok.*

ELECTRIC SPARK IGNITER

If the burner does not ignite, turn the control knob to "OFF".

BURNER EFFICIENCY AND FLAME CHARACTERISTICS:

The burner flame should be blue in color and stable with no yellow tips, excessive noise or lifting. It should burn completely around both rings of the burner. An improper gas-air mixture may cause either a yellow tipped flame or burner flutter. Have the flame adjusted by a technician. Foreign particles in the gas line may cause an orange flame during initial use. This will disappear with use.

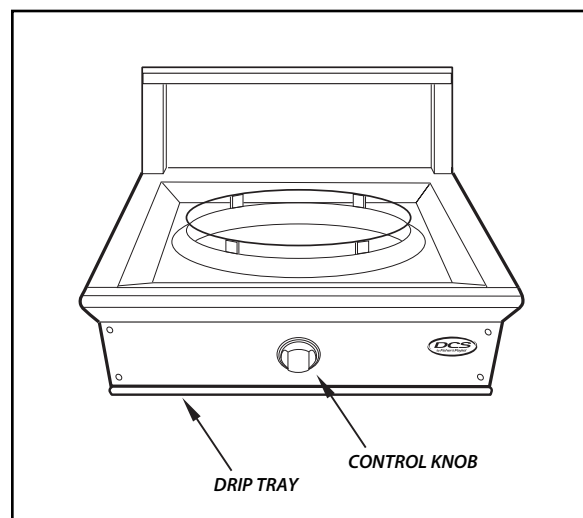
For proper lighting and efficient performance of the burner, it is necessary to keep the igniter and burner ports clean. If the flame is uneven, flutters, makes excessive noise or lifts, check to see if the burner ports are clogged. If the ports are clogged, use a wire, a straightened paper clip or needle to clear the ports. Do not use wood, or objects that could break easily to clear ports. They could break off and clog ports. If the condition persists, contact a service agent for adjustment.

CONTROL KNOB

The burner has an infinite number of heat settings and there are no fixed positions on the control knob between HI and LO. To turn burner on, push in on the control knob and turn it counterclockwise to the LITE-HI position. A single click will be heard as the spark igniter lights the pilot. The pilot will burn for approximately 30 seconds before the main gas safety valve opens and the burner lights.

DRIP TRAY

A drip tray is located under the wok burner. Be sure it is in place before using the wok. Spills should be washed off as soon as possible to prevent "baked on soil". When the tray is cool, slide it forward to remove.



BEFORE USING YOUR WOK PAN

OPERATION- WOK PAN

Remove all packaging and labels before use or seasoning the wok.

1. Be sure the drip tray is in place before use of the cooktop.
2. When first using your wok pan, make sure you clean the surface thoroughly with hot, soapy water. This process is required before use to remove the rust protective oil coating applied at the factory. Make sure you dry the wok pan thoroughly.
3. Apply a light coat of vegetable oil (do not use corn oil) to the entire inside surface of wok pan with a paper towel.
4. Begin by heating the wok pan on a medium setting until the cooking surface turns a golden brown. Repeat this procedure several times. This seasoning seals the pores of the metal and keeps food from sticking.
5. After using the wok pan, wash it in hot soapy water. Do not use abrasives or scour. Apply a light coat of vegetable oil to the inside surface with a paper towel. Place the wok pan over a low setting for approx. 15 to 30 seconds. Remove from heat and let cool. Wipe off excess oil before storing.



WARNING:

Do not leave wok unattended while cooking.

NOTE: It is normal for the wok pan to discolor and darken with use. This lets you know that wok pan has been well seasoned.

CARE AND MAINTENANCE

CLEANING

WARNING

Do not clean the surface of wok cooktop while appliance is still hot. Allow the unit to cool before cleaning.

All parts of the wok can be cleaned with hot soapy water, rinsed and dried. Use of brand names is intended only to indicate a type of cleaner. This does not constitute an endorsement, nor does the omission of any brand name cleaner imply its inadequacy. Whenever possible, always use the mildest cleaning procedure to do the job effectively. For best results, always rub in the direction of the stainless steel polish lines to avoid marring the surface. Always wipe dry to avoid water spots.

DRIP TRAY

Do not let grease accumulate in the drip tray as it can be a fire hazard. Clean with hot, soapy water. A mild abrasive cleanser such as Bon-Ami or Soft Scrub can be used. For stubborn stains use a soap filled steel wool pad rubbing lightly. Rinse all parts thoroughly.

WOK PAN

For cleaning of wok pan and support ring, always use the mildest procedure first. Wash in hot, soapy water. For stubborn stains, you may use a stainless steel product such as Bon-Ami or Soft Scrub, rubbing lightly. Do not use a steel wool pad, as it will scratch the surface. Rinse thoroughly and dry. After drying, apply a light coating of vegetable oil to the inside surface of wok pan only. Apply oil with a paper towel, heat on low setting for 20 seconds. Allow to cool before handling, wipe off excess oil.

BURNER

If the burner does not ignite try the six steps below before calling for service:

1. Is a fuse blown or is the circuit breaker tripped?
2. Is the electric cord plugged into the wall receptacle?
3. Is the manual gas shut-off valve open?
4. Are the pilot or burner ports clogged?
5. Is there a flame on the pilot burner?
6. Is the spark igniter sparking?

If steps 1 thru 6 does not alleviate the problem you may contact service toll free at:
(888) 936-7872 DCS Customer Care

HOW TO OBTAIN SERVICE

For warranty service, please contact your local service provider or DCS Customer Care Representative at (888) 936-7872. Before you call, please have the following information ready:

- Model Number (located on the front frame, right lower corner)
- Serial Number (located on the front frame, right lower corner)
- Date of installation
- A brief description of the problem

Your satisfaction is of the utmost importance to us. If a problem cannot be resolved to your satisfaction, please call, write or email us at:

Fisher & Paykel Appliances, Inc.
Attention: DCS Customer Care
5900 Skylab Road
Huntington Beach, CA 92647

(888) 936-7872
email: customer.care@fisherpaykel.com

WARRANTY

LIMITED WARRANTY

One (1) Year Full – Covers the entire product

Five (5) Years Limited – Wok burner (part only)

Lifetime – All stainless steel parts (parts only)

FISHER & PAYKEL UNDERTAKES TO:

This warranty applies to appliances used in residential applications; it does not cover their use in commercial situations.

This warranty is for products purchased and retained in the 50 states of the U.S.A., the District of Columbia and Canada. This warranty applies even if you should move during the warranty period. Should the appliance be sold by the original purchaser during the warranty period, the new owner continues to be protected until the expiration date of the original purchaser's warranty period.

This warranty gives you specific legal rights. You may also have other rights which vary from state to state.

THIS WARRANTY DOES NOT COVER:

- Installation or start-up
- Normal adjustment to burners, gas regulators, etc.
- Cleaning of igniters and/or general maintenance
- Shipping damage
- Service by an unauthorized agency. Damage or repairs due to service by an unauthorized agency or the use of unauthorized parts.
- Overtime, weekends, holidays
- Improper installation, such as: no regulator, improper hook-up, etc.
- Chipping of porcelain enamel on burner.

Service visits to:

- Correct the installation. (You are responsible for providing electrical wiring, gas installation and other connecting facilities.)
- Reset circuit breakers, replace home fuses, or establish gas supply.
- Damage caused from accident, abuse, alteration, misuse, incorrect installation or installation not in accordance with local codes.
- Repairs due to other than normal household use.
- Units installed in non-residential applications such as: day care centers, bed and breakfast centers, churches, nursing homes, restaurants, hotels, schools, etc.
- Supply the user with operational assistance covered in this manual.



TABLE DE CUISSON PROFESSIONNELLE C-24W

Manuel d'utilisation et d'entretien



MODÈLE
C-24W



À L'INTENTION DE NOS CLIENTS

Nous vous remercions d'avoir choisi cette table de cuisson pour wok professionnelle DCS. Nous avons conçu ce Manuel d'utilisation et d'installation pour expliquer ses fonctions uniques. Il contient des informations extrêmement utiles sur la façon de faire fonctionner et d'entretenir correctement votre nouvel appareil. Vous pourrez ainsi en profiter pendant des années en toute sécurité.

Aidez-nous à mieux vous servir en remplissant l'enregistrement de produit et en nous le soumettant depuis notre site Web à www.dcsappliances.com. Sélectionnez « Customer Care » sur la page d'accueil puis « Product Registration ». De plus, gardez ce manuel à portée de main afin de rapidement trouver réponse à vos questions durant l'utilisation de votre nouvel appareil.

Si vous avez des questions au sujet de notre produit, communiquez avec un représentant du centre de service à la clientèle DCS par téléphone : 1-888-936-7872, ou par courriel : customer.care@fisherpaykel.com.

REMARQUE : Veuillez noter les numéros de modèle et de série sur cette page pour information (situé sur le cadre avant, au coin inférieur droit)

NUMÉRO DE MODÈLE _____ NUMÉRO DE SÉRIE _____

REMARQUE : Inspecter le produit pour vérifier qu'il n'a pas été endommagé pendant l'expédition. En cas de dommages, contacter le transporteur et entamer une déclaration pour dommage. DCS by Fisher & Paykel n'est en aucun cas responsable des dommages pendant l'expédition.

Ne pas jeter le matériau d'emballage (boîte, palette, sangles) avant d'avoir inspecté l'unité.



AVERTISSEMENT!

Toute installation, ajustement, altération ou entretien incorrect peut causer des dommages matériels, des blessures ou la mort. Veuillez lire soigneusement ces instructions d'installation, d'utilisation et d'entretien avant d'installer, utiliser ou effectuer l'entretien de cet appareil.



AVERTISSEMENT!

Si les informations de ce manuel ne sont pas suivies à la lettre, un incendie ou une explosion peuvent se produire et causer des dommages matériels, des blessures ou la mort.

Évitez de stocker ou d'utiliser de l'essence ou tout autre liquide et vapeur inflammable à proximité de cet appareil électroménager ou de tout autre.



DANGER

Si vous sentez une odeur de gaz :

1. N'essayez pas d'allumer aucun appareil électroménager.
2. Ne touchez aucun interrupteur électrique; n'utilisez aucun téléphone dans votre bâtiment.
3. Appelez immédiatement votre fournisseur de gaz de chez un voisin. Suivez les instructions du fournisseur de gaz.
4. Si vous n'arrivez pas à joindre votre fournisseur de gaz, appelez les pompiers.
5. Toute installation ou service doit être confié à un installateur qualifié, un organisme de service ou le fournisseur de gaz.



AVERTISSEMENT!

Pour réduire les risques de blessures en cas de feu de graisse sur la table de cuisson, respectez les consignes suivantes : éteignez d'abord le brûleur. Étouffez les flammes à l'aide d'un couvercle hermétique, d'une plaque à biscuits, d'un plateau métallique, de bicarbonate de soude ou d'un extincteur à poudre ou à mousse. Attention à ne pas vous brûler. Si les flammes ne s'éteignent pas immédiatement, évacuez les lieux et appelez les pompiers. Ne prenez jamais en main une poêle ou une casserole qui a pris feu - Vous pourriez vous brûler. **N'UTILISEZ PAS D'EAU SUR LES FEUX DE GRAISSE**, y compris au moyen de serviettes mouillées; une explosion de vapeur violente pourrait en résulter. Utilisez un extincteur **SEULEMENT** si :

1. Vous êtes sûr qu'il s'agit d'un extincteur de classe ABC et savez comment le faire fonctionner.
2. Le feu est limité et restreint à la zone où il s'est déclenché.
3. Le service des pompiers a été appelé.
4. Vous pouvez combattre l'incendie le dos tourné vers une sortie.

VEUILLEZ CONSERVER CE MANUEL À TITRE DE RÉFÉRENCE.

TABLE DES MATIÈRES

MESURES DE SÉCURITÉ ET DE PRÉCAUTION	3-4
AVANT D'UTILISER VOTRE TABLE DE CUISSON POUR WOK	5
UTILISATION DU WOK	
Utilisation générale	6
AVANT D'UTILISER VOTRE WOK	
Utilisation du Wok	7
ENTRETIEN ET MAINTENANCE	
Nettoyage	8
POUR L'OBTENTION DE SERVICE	9
GARANTIE	10

MESURES DE SÉCURITÉ ET DE PRÉCAUTION

Votre nouvel appareil professionnel DCS fonctionnera de manière sûre et fiable pendant des années si vous en prenez bien soin. Toutefois, faites extrêmement attention quand vous utilisez cet appareil de cuisson de niveau professionnel, car il dégage une chaleur intense et peut augmenter les risques d'accidents. Vous devez respecter des consignes de sécurité élémentaires, dont celles-ci :

Lisez soigneusement toutes les instructions concernant l'utilisation de cet appareil électroménager. Ceci vous permettra de réduire les risques d'incendie, de choc électrique ou de blessures.

- Assurez-vous que l'appareil est installé et mis à la terre correctement par un technicien qualifié conformément aux instructions d'installation fournies avec l'appareil. Demandez au technicien de vous montrer le robinet d'arrêt de l'alimentation de gaz pour que vous sachiez son emplacement et comment le fermer.
- Si vous sentez une odeur de gaz, cela signifie que l'installateur n'a pas vérifié correctement s'il y avait des fuites. Les connexions peuvent se desserrer durant le transport. Si les connexions ne sont pas parfaitement étanches, une petite fuite pourrait se produire et laisser s'échapper une faible odeur de gaz. La détection des fuites n'est pas une procédure à faire soi-même. Appelez l'installateur pour qu'il revérifie l'installation car certaines fuites ne peuvent être détectées qu'en mettant le brûleur en position « ON ».
- Ne réparez pas ni ne remplacez aucune pièce de l'appareil, sauf indication contraire du manuel. Tout travail d'entretien doit être confié à un technicien qualifié.
- Ne bloquez jamais le devant de l'appareil car cela affectera le flot d'air de combustion et de ventilation.
- Les enfants ne doivent pas être laissés seuls ou sans surveillance dans un endroit où l'on utilise ce type d'appareil. Il ne faut jamais les laisser s'asseoir ou se tenir debout sur ces appareils.

MISE EN GARDE :

Évitez de ranger sur les appareils, ou à l'arrière, des articles pouvant attirer les enfants. Les enfants peuvent se blesser sérieusement s'ils grimpent sur l'appareil pour atteindre ces articles.

Durant l'utilisation de l'appareil : **NE LE TOUCHEZ PAS AINSI QUE LES SURFACES À PROXIMITÉ.** Celles-ci peuvent devenir suffisamment chaudes pour provoquer des brûlures.

- Ne laissez jamais des vêtements, gants isolants ou autres matériaux inflammables en contact ou à proximité d'un appareil pendant son utilisation. Les tissus peuvent s'enflammer et causer des blessures.
- Pour assurer votre propre sécurité, habillez-vous de façon appropriée. Ne portez jamais de vêtements ou de manches lâches durant la cuisson. Certains tissus synthétiques sont extrêmement inflammables et ne doivent pas être portés pendant la cuisson.



AVERTISSEMENT!

Cet appareil est destiné à la cuisson. Pour des raisons de sécurité, n'utilisez jamais le wok pour chauffer une pièce.

- Nettoyez les appareils avec précaution. Vous pourriez vous brûler à la vapeur si vous utilisez une éponge ou un linge mouillé pour essuyer des déversements sur une surface de cuisson chaude. Certains produits de nettoyage peuvent dégager des vapeurs nocives au contact d'une surface chaude. Respectez le mode d'emploi du fabricant du produit de nettoyage.
- N'utilisez jamais une partie quelconque de l'appareil comme endroit de rangement. Des matériaux inflammables pourraient prendre feu et des éléments en plastique pourraient s'enflammer ou fondre.
- N'utilisez pas de papier d'aluminium autour d'un appareil en tant que protection contre les déversements ou les gouttes. Cela pourrait obstruer le débit de l'air de combustion et de ventilation.
- **LA GRAISSE EST INFLAMMABLE.** Laissez toute graisse chaude refroidir avant d'essayer de la manipuler. Évitez de laisser la graisse s'accumuler dans le ramasse-gouttes sous le wok. Nettoyez le ramasse-gouttes chaque utilisation.
- **NE VERSEZ PAS D'EAU SUR LES FEUX DE GRAISSE.** Étouffez les flammes à l'aide de bicarbonate de soude ou utilisez un extincteur à poudre ou à mousse.

MESURES DE SÉCURITÉ ET DE PRÉCAUTION

- Si l'appareil se trouve près d'une fenêtre, **assurez-vous que les rideaux ne peuvent s'en approcher sous l'effet d'un courant d'air** - car ils pourraient prendre feu.
- **La hotte de ventilation et les filtres** au-dessus de l'appareil doivent être nettoyés fréquemment pour éviter une accumulation de graisse provenant des vapeurs de cuisson.
- **Si un brûleur s'éteint et qu'il laisse le gaz s'échapper**, fermez le bouton de réglage (position OFF). Ouvrez une fenêtre ou une porte. N'essayez d'utiliser aucun appareil avant que le gaz ne se soit complètement dissipé. **Attendez au moins 5 minutes avant d'utiliser un appareil à gaz.**
- Assurez-vous que les boutons de l'appareil sont fermés et qu'ils sont froids avant d'utiliser des nettoyants aérosol à proximité de l'appareil à gaz. L'élément chimique qui produit le jet de vaporisation peut, en présence de chaleur, s'enflammer ou provoquer la corrosion des parties métalliques.
- Ne laissez jamais le wok sans surveillance lorsqu'il est utilisé. Des déversements graisseux pourraient prendre feu. Et, ce qui est plus grave, si les flammes des brûleurs sont étouffées, le gaz non brûlé peut s'échapper dans la pièce.
- Avertissement concernant la proposition 65 de la Californie



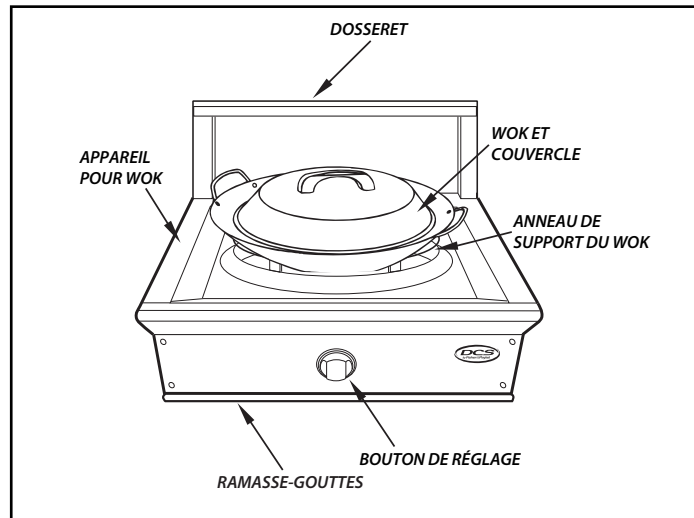
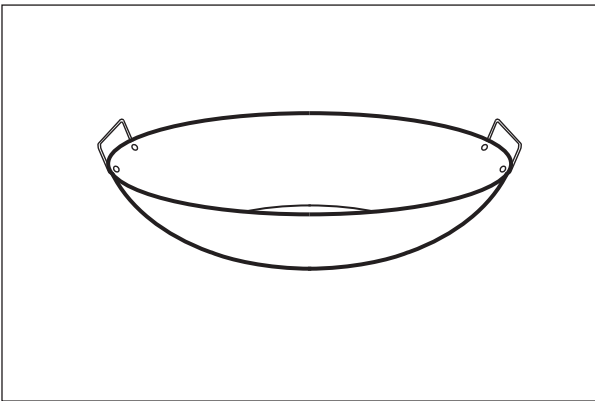
AVERTISSEMENT :

L'incinération de gaz de cuisson génère des sous-produits faisant partie des substances considérées par l'État de Californie comme pouvant causer le cancer ou des malformations congénitales. Les lois de Californie exigent que les entreprises avertissent leurs clients qu'ils risquent d'être exposés à de telles substances. Pour minimiser l'exposition à ces substances, faites toujours fonctionner l'appareil conformément aux instructions contenues dans ce manuel et assurez une bonne ventilation.

CONSERVEZ CES INSTRUCTIONS

AVANT D'UTILISER VOTRE TABLE DE CUISSON POUR WOK

1. Vérifiez que le ramasse-gouttes est en place.
2. Placez le wok dans l'anneau de support avant d'allumer le wok.
3. Mettez le bouton de réglage au niveau désiré et procédez à la cuisson comme voulu.



UTILISATION DE LA TABLE DE CUISSON POUR WOK

D'USAGE GÉNÉRAL

BRÛLEUR

Votre table de cuisson pour wok professionnelle neuve DCS est équipée d'un brûleur en fonte robuste typique de ceux utilisés dans les restaurants. Elle est dotée d'un système d'allumage par étincelle électrique pour éviter l'utilisation d'une veilleuse permanente comme celles que l'on trouve sur les woks de restaurant. Le brûleur est prévu pour 30 000 BTUH.

REMARQUE : En cas d'utilisation de gaz propane, il se peut qu'un léger crépitement ou flash se produise au niveau des ports de brûleur quelques secondes après que le brûleur soit éteint. Cela se produit généralement après que le brûleur ait été allumé pendant une longue période. Ceci est tout à fait normal pour votre wok.

ALLUMEUR À ÉTINCELLE ÉLECTRIQUE

Si le brûleur ne s'allume pas, mettez le bouton de réglage sur « OFF ».

EFFICACITÉ DES BRÛLEURS ET CARACTÉRISTIQUES DE LA FLAMME :

La flamme du brûleur doit être bleue et stable, sans pointe jaune ni bruit excessif, et ne doit pas tirer vers le haut. Elle doit encercler complètement les deux anneaux du brûleur. Un mauvais mélange d'air et de gaz peut entraîner un fonctionnement irrégulier du brûleur ou produire une flamme à pointe jaune. Faites régler la flamme par un technicien. Durant l'utilisation initiale, la présence de particules étrangères dans la conduite de gaz peut produire une flamme orange. Ceci disparaît avec l'usage.

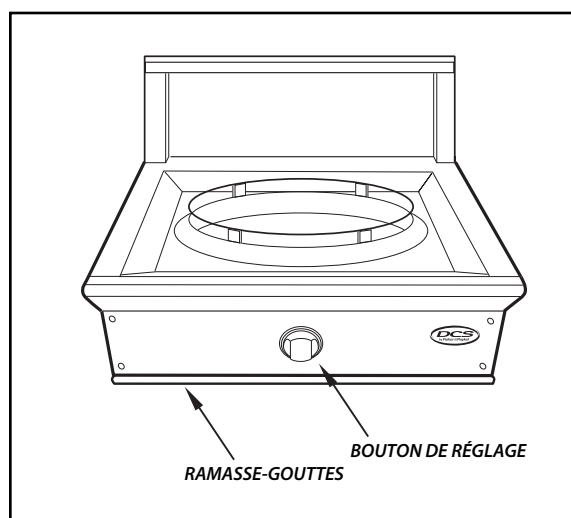
Pour assurer un bon allumage et une bonne performance du brûleur, gardez l'allumeur et les ports du brûleur dans un état propre. Si les flammes ne sont pas uniformes ou stables, font un bruit excessif ou tirent vers le haut, vérifiez si les ports de brûleur sont bouchés. Si les ports sont bouchés, dégagez-les à l'aide d'un fil métallique, d'une trombone dépliée ou d'une aiguille. N'utilisez pas du bois ou un objet qui pourrait casser facilement pour déboucher les ports. Ils pourraient se briser et boucher les ports. Si le problème persiste, contactez un agent de service pour effectuer le réglage.

BOUTON DE RÉGLAGE

Les brûleurs permettent un réglage continu de la flamme et leurs boutons de réglage ne comportent pas de position fixe entre les niveaux HI et LO. Pour allumer le brûleur, enfoncez le bouton de réglage et tournez-le vers la gauche à la position LITE-HI. Vous devriez entendre un déclic et voir l'allumeur à étincelle allumer la veilleuse. La veilleuse brûlera pendant environ 30 secondes avant que la valve de sécurité principale du gaz s'ouvre et que le brûleur s'allume.

RAMASSE-GOUTTES

Un ramasse-gouttes se trouve sous le brûleur du wok. Assurez-vous qu'il est en place avant d'utiliser le wok. Nettoyez immédiatement tout déversement pour éviter que les salissures ne « cuisent » sur place. Une fois le ramasse-gouttes refroidi, tirez-le vers l'avant pour le retirer.



AVANT D'UTILISER VOTRE WOK

UTILISATION DU WOK

Retirez tout le matériel d'emballage et les étiquettes de l'appareil avant de l'utiliser ou de le conditionner.

1. Assurez-vous que le ramasse-gouttes est en place avant d'utiliser la table de cuisson.
2. Lors de la première utilisation du wok, nettoyez sa surface soigneusement avec de l'eau savonneuse chaude. Il est nécessaire de le faire avant l'utilisation afin d'enlever la couche d'huile de protection contre la rouille appliquée en usine. Prenez soin de bien sécher le wok.
3. Appliquez une mince couche d'huile végétale (évitez l'huile de maïs) sur toute la surface intérieure du wok au moyen d'une serviette en papier.
4. Commencez par chauffer le wok à feu moyen jusqu'à ce que la surface de cuisson devienne dorée. Répétez cette procédure plusieurs fois. Ce conditionnement permet de sceller les pores du métal et d'empêcher les aliments de coller.
5. Après avoir utilisé le wok, lavez-le dans de l'eau savonneuse chaude. N'utilisez pas d'abrasifs et évitez de récuser. Appliquez une mince couche d'huile végétale sur la surface intérieure au moyen d'une serviette en papier. Placez le wok sur le brûleur à feu doux pendant environ 15 à 30 secondes. Retirez-le et laissez-le refroidir. Essuyez l'excédent d'huile avant de le ranger.



AVERTISSEMENT

Ne laissez pas le wok sans surveillance pendant la cuisson.

REMARQUE : *il est normal que le wok se décolore et noircisse à l'usage. Ceci indique que le wok a été bien conditionné.*

ENTRETIEN ET MAINTENANCE

NETTOYAGE



AVERTISSEMENT

Ne nettoyez pas la surface de la table de cuisson pour wok alors que l'appareil est encore chaud. Laissez l'appareil refroidir avant de le nettoyer.

Toutes les parties du wok peuvent être nettoyées avec de l'eau savonneuse chaude, puis rincées et séchées. La référence à des noms de marques vise uniquement à indiquer un type de nettoyant et ne saurait constituer un acte de promotion. L'omission d'une marque de nettoyant particulière ne signifie pas qu'elle est adéquate ou non. Dans la mesure du possible, employez toujours la méthode de nettoyage la plus douce. Pour obtenir les meilleurs résultats possibles, frottez toujours dans le sens du polissage de l'acier inoxydable pour ne pas gâcher la surface. Séchez toujours en essuyant pour éviter de laisser des marques d'eau.

RAMASSE-GOUTTES

Ne laissez pas la graisse s'accumuler dans le ramasse-gouttes car elle peut poser un risque d'incendie. Nettoyez avec de l'eau savonneuse chaude. Utilisez un nettoyant abrasif doux tel que Bon-Ami ou Soft Scrub. Pour les taches difficiles, frottez légèrement à l'aide d'un tampon à récurer métallique savonneux. Rincez soigneusement toutes les pièces.

WOK

Employez toujours la méthode de nettoyage la plus douce pour nettoyer le wok et l'anneau de support. Lavez dans de l'eau savonneuse chaude. Pour les taches difficiles, frottez légèrement à l'aide d'un produit pour acier inoxydable tel que Bon-Ami ou Soft Scrub. N'utilisez pas de laine d'acier car elle peut égratigner la surface. Rincez abondamment puis séchez. Après le séchage, appliquez une mince couche d'huile végétale sur la surface intérieure du wok uniquement. Appliquez de l'huile au moyen d'une serviette en papier, puis chauffez sur feu doux pendant 20 secondes. Laissez refroidir avant toute manipulation, puis essuyez l'excédent d'huile.

BRÛLEUR

Si le brûleur ne s'allume pas, essayez les six étapes ci-dessous avant d'appeler le service technique :

1. Est-ce que le disjoncteur s'est déclenché ou que le fusible est grillé?
2. Est-ce que le cordon électrique est branché dans une prise murale?
3. Est-ce que le robinet d'arrêt manuel de l'alimentation de gaz est ouvert?
4. La veilleuse ou les ports de brûleur sont-ils bouchés?
5. Y-a-t-il une flamme sur la veilleuse du brûleur?
6. Est-ce que l'allumeur produit des étincelles?

Si les points 1 à 6 ne permettent pas de remédier au problème, appelez le service technique sans frais au :
(888) 936-7872 Centre de service à la clientèle DCS

POUR L'OBTENTION DE SERVICE

Pour le service sous garantie, contactez votre distributeur ou un représentant du centre de service à la clientèle DCS au (888) 936-7872. Avant d'appeler, veuillez avoir les informations suivantes à portée de main :

- Numéro de modèle (situé sur le cadre avant, au coin inférieur droit)
- Numéro de Série (situé sur le cadre avant, au coin inférieur droit)
- Date d'installation
- Brève description du problème

Votre satisfaction revêt la plus grande importance pour nous. Si un problème n'est pas résolu à votre entière satisfaction, veuillez communiquer avec nous par téléphone, courrier ou courriel :

Fisher & Paykel Appliances, Inc.
Attention: DCS Customer Care
5900 Skylab Road
Huntington Beach, CA 92647

(888) 936-7872
Courriel : customer.care@fisherpaykel.com

GARANTIE

GARANTIE LIMITÉE

Un (1) an sur tout le produit

Cinq (5) ans, limitée – brûleur du wok (pièce seulement)

Garantie à vie – toutes les pièces en acier inoxydable (pièces seulement)

FISHER & PAYKEL S'ENGAGE À :

Cette garantie s'applique à des appareils électroménagers utilisés à domicile; elle ne couvre pas les cas d'utilisation commerciale.

Cette garantie couvre les produits achetés et utilisés dans les 50 états des États-Unis, le District de Columbia et au Canada. La garantie s'applique même si vous déménagez durant la période de garantie. Si l'appareil est vendu par l'acheteur initial durant la période de garantie, le nouveau propriétaire continue de bénéficier de la protection jusqu'à la date d'expiration de la période de garantie de l'acheteur initial.

Cette garantie vous accorde des droits juridiques spécifiques. Il se peut que vous ayez d'autres droits pouvant varier d'une juridiction à l'autre.

CETTE GARANTIE NE COUVRE PAS :

- Installation ou démarrage;
- Réglage normal des brûleurs, régulateurs de gaz, etc.;
- Nettoyage des allumeurs ou entretien général;
- Dommages subis durant le transport;
- Service effectué par un centre non agréé. Dommages ou réparations causés par un service effectué par un centre non agréé ou par l'utilisation de pièces non autorisées;
- Le temps supplémentaire exigé durant le week-end et les congés fériés;
- Mauvaise installation, tel qu'absence de régulateur, mauvais branchement, etc.;
- Écaillage de l'émail de porcelaine sur le brûleur.

Les visites de service pour :

- Rectifier l'installation. (Il vous incombe de fournir le câblage électrique, d'assurer l'installation du gaz et toute autre connexion appropriée.)
- Réarmer les disjoncteurs, remplacer les fusibles de la maison ou assurer l'alimentation en gaz;
- Dommages provoqués par un accident, un usage abusif, des modifications, un mauvais usage, une installation incorrecte ou non conforme aux règlements en vigueur;
- Réparations dues à une utilisation autre qu'une utilisation domestique normale.
- Appareils installés dans le cadre d'applications non résidentielles telles que garderies, auberges, lieux de culte, maisons de soin, restaurants, hôtels, écoles, etc.;
- Fournir à l'utilisateur, relativement au fonctionnement, de l'aide qu'il peut trouver dans le présent manuel.

REMARQUE

REMARQUE

REMARQUE



Quality provided by Fisher & Paykel Appliances Inc.

Fisher & Paykel Appliances, Inc.
5900 Skylab Road, Huntington Beach, CA 92647
Customer Care: 888.936.7872
Fax: 714.372.7003
www.dcsappliances.com

Nous améliorons constamment ses produits et se réserve le droit de modifier les spécifications ou la conception de ses produits sans aucun préavis.

As product improvement is an ongoing process, we reserve the right to change specifications or design without notice.