

VAISALA

USER'S GUIDE

Vaisala DRYCAP® Dewpoint and Temperature Transmitter Series DMT340



M210704EN-E

PUBLISHED BY

Vaisala Oyj
P.O. Box 26
FI-00421 Helsinki
Finland

Phone (int.): +358 9 8949 1
Fax: +358 9 8949 2227

Visit our Internet pages at <http://www.vaisala.com/>

© Vaisala 2009

No part of this manual may be reproduced in any form or by any means, electronic or mechanical (including photocopying), nor may its contents be communicated to a third party without prior written permission of the copyright holder.

The contents are subject to change without prior notice.

Please observe that this manual does not create any legally binding obligations for Vaisala towards the customer or end user. All legally binding commitments and agreements are included exclusively in the applicable supply contract or Conditions of Sale.



Table of Contents

CHAPTER 1	
GENERAL INFORMATION	13
About This Manual	13
Contents of This Manual	13
Version Information	14
General Safety Considerations	14
Feedback	14
Product Related Safety Precautions	15
ESD Protection	15
Recycling	15
Regulatory Compliances	16
DNV Type Approval	16
Transmitters with LAN or WLAN Interface	16
Transmitters with WLAN Interface	17
Patent Notice	17
Trademarks	17
License Agreement	18
Warranty	18
CHAPTER 2	
PRODUCT OVERVIEW	19
Introduction to DMT340	19
Basic Features and Options	20
Structure of the Transmitter	21
Probe Options	23
CHAPTER 3	
INSTALLATION	25
Mounting the Housing	25
Standard Mounting without Mounting Plate	25
Wall Mounting with Wall Mounting Kit	26
Mounting with DIN Rail Installation Kit	28
Pole Installation with Installation Kit for Pole or Pipeline	29
Mounting the Rain Shield with Installation Kit	30
Panel Mounting Frame	30
Wiring	32
Cable Bushings	32
Grounding the Cables	33
Transmitter Housing Grounding	34
Signal and Power Supply Wiring	34
Connections to a 24 VAC Power Supply	35
Probe Mounting	36
DMT342 Small-size Flanged Probe for Use with Sampling Cell	37
DMT344 For High-pressure Applications	39

DMT347 Small Pressure-tight Probe.....	41
Pressure-Tight Swagelok Installation Kits for DMT347.....	41
DMT348 For Pressurized Pipelines.....	43
Tightening the Clasp Nut.....	45
Ball Valve Installation Kit for DMT348.....	46
Leak Screw Installation.....	49
Mounting the Probe Directly to the Process.....	50
Sampling Cell for DMT348.....	52
Optional Modules.....	54
Power Supply Module.....	54
Installation.....	55
Warnings.....	55
Galvanic Isolation for Output.....	58
Installation.....	58
Third Analog Output.....	59
Installation and Wiring.....	59
Alarm Relays.....	60
Installation and Wiring.....	60
Selecting the Activation State of the Relay.....	61
RS-422/485 Interface.....	62
Installation and Wiring.....	62
LAN Interface.....	64
WLAN Interface.....	65
Attaching the WLAN Antenna.....	66
Data Logger Module.....	66
8-pin Connector.....	69

CHAPTER 4

OPERATION.....	71
Getting Started.....	71
Display/Keypad.....	71
Basic Display.....	71
Graphic History.....	72
Menus and Navigation.....	74
Changing the Language.....	75
Rounding Setting.....	76
Display Backlight Setting.....	76
Display Contrast Setting.....	76
Keypad Lock (Keyguard).....	76
Menu PIN Lock.....	77
Factory Settings.....	77
Display Alarms.....	78
Configuring a Display Alarm.....	78
MI70 Link Program for Data Handling.....	80
Serial Line Communication.....	80
User Port Connection.....	81
Service Port Connection.....	82
Connection Cables.....	82
Installing the Driver for the USB Cable.....	82
Using the Service Port.....	83
LAN Communication.....	84
IP Configuration.....	84
Using Display/Keypad.....	85
Using Serial Line.....	86
Wireless LAN Configuration.....	87
Using Display/Keypad.....	87

Using Serial Line	89
Telnet Settings	89
Web Configuration for LAN and WLAN.....	90
Terminal Program Settings	91
Opening a Serial/USB connection	91
Opening a Telnet session (LAN/WLAN)	92
List of Serial Commands	94
Getting the Measurement Message from Serial Line	96
Starting Continuous Outputting.....	96
R.....	96
Stopping Continuous Outputting	96
S.....	96
Formatting Serial Line Message	97
FTIME and FDATE.....	97
FST	97
General Settings.....	98
Changing the Quantities and Units	98
Using Display/Keypad.....	98
Using Serial Line.....	99
FORM.....	99
UNIT	100
Pressure Compensation Setting	101
Using Display/Keypad.....	101
Using Buttons on the Motherboard	102
Using Serial Line.....	102
XPRES and PRES	102
Date and Time.....	103
Using Display/Keypad.....	103
Using Serial Line.....	104
User Port Serial Settings.....	104
SERI.....	105
SMODE	105
INTV	106
ECHO.....	106
Data Filtering.....	106
FILT.....	107
Device Information	107
?	108
HELP.....	109
ERRS	109
VERS	109
Resetting the Transmitter Using Serial Line	110
RESET	110
Locking Menu/Keypad by Using Serial Line	110
LOCK	110
Data Recording.....	111
Selecting the Data Recording Quantities	111
DSEL.....	111
View Recorded Data	111
DIR	112
PLAY	113
Deleting the Recorded Files.....	114
UNDELETE	114
Analog Output Settings	114
Changing the Output Mode and Range	114
Analog Output Quantities.....	116
AMODE/ASEL.....	117

Analog Output Tests.....	118
ITEST	118
Analog Output Fault Indication Setting.....	119
AERR.....	119
Operation of Relays.....	120
Quantity for Relay Output.....	120
Measurement-Based Relay Output Modes	120
Relay Setpoints	120
Hysteresis.....	121
Relay Indicating Transmitter Error Status	122
Enabling/Disabling the Relays.....	123
Operation of the Indication LEDs	124
Setting the Relay Outputs	124
RSEL	125
Testing the Operation of Relays.....	126
RTEST.....	127
Operation of the RS-485 Module	127
Networking Commands	127
SDELAY	128
SERI	128
ECHO	128
SMODE	128
INTV	129
ADDR	129
OPEN [<i>nn</i>]	130
CLOSE	130
Sensor Functions	130
AutoCal.....	130
Automatic AutoCal.....	131
Manual AutoCal.....	131
Sensor Purge.....	131
Manual Sensor Purge.....	132
Interval Purge	132
Power-up Purge	133
PUR.....	133
PURGE.....	133
Sensor Warming.....	134

CHAPTER 5

MAINTENANCE.....	135
Periodic Maintenance.....	135
Cleaning	135
Changing the Probe Filter	135
Calibration and Adjustment	135
Error States	136
Technical Support	138
Return Instructions	138
Vaisala Service Centers	139

CHAPTER 6

CALIBRATION AND ADJUSTMENT	141
Calibration	141
User Calibration and Adjustment.....	141
Opening and Closing the Adjustment Mode.....	142

Adjustment Information	143
CTEXT and CDATE	143
Adjusting Dewpoint $T_{d/f}$	144
Two-point Relative Humidity Adjustment using Display/Keypad	144
Two-point Relative Humidity Adjustment Using Serial Line	146
One-point Dewpoint Adjustment Using Display/Keypad...	146
One-point Dewpoint Adjustment Using Serial Line	148
Adjusting Temperature	149
Adjusting Temperature Using Display/Keypad	149
Adjusting Temperature Using Serial Line	150
CT	150
Adjusting Analog Outputs	151
Adjusting Analog Outputs using Display/Keypad.....	151
Adjusting Analog Outputs using Serial Line.....	152
ACAL.....	152

CHAPTER 7

TECHNICAL DATA	153
Specifications	153
Performance.....	153
Operating Environment	154
Inputs and Outputs.....	154
Mechanics	155
Probe Specifications	155
Technical Specifications of Optional Modules	156
Power Supply Module	156
Analog Output Module	156
Relay Module	156
RS-485 Module	157
LAN Interface Module	157
WLAN Interface Module.....	157
Data Logger Module	157
Options and Accessories	158
Dimensions (mm/inch).....	160

APPENDIX A

CALCULATION FORMULAS	165
-----------------------------------	------------

This page intentionally left blank.

List of Figures

Figure 1	Transmitter Body	21
Figure 2	Inside the Transmitter.....	22
Figure 3	Probe Options	23
Figure 4	Standard Mounting	25
Figure 5	Mounting with Wall Mounting Kit.....	26
Figure 6	Dimensions of the Plastic Mounting Plate (mm/inch).....	26
Figure 7	Mounting with Metal Wall Mounting Plate	27
Figure 8	Dimensions of Metal Mounting Plate (mm/inch)	27
Figure 9	Mounting with DIN Rail Installation Kit	28
Figure 10	Vertical Pole	29
Figure 11	Horizontal Pole	29
Figure 12	Mounting the Rain Shield with Installation Kit	30
Figure 13	Panel Mounting Frame	31
Figure 14	Panel Mounting Dimensions (mm/inch)	31
Figure 15	Cable Bushings	32
Figure 16	Grounding the Screen of Electrical Cable	33
Figure 17	Screw Terminal Block on the Motherboard	34
Figure 18	Connections to 24 VAC Power Supply.....	36
Figure 19	DMT342 Installation (without the Sampling Cell)	37
Figure 20	HMP302SC Optional Sampling Cell.....	38
Figure 21	DMT344 Probe	39
Figure 22	Tightening the Nut	40
Figure 23	Cleaning of the Tightening Cone.....	40
Figure 24	DMT347 Probe with Swagelok Installation Kit	41
Figure 25	DMT347 Probe Installation to Pipeline with Swagelok Installation Kit	42
Figure 26	DMT348 Probe	43
Figure 27	Leak Screw in the DMT348 Probe	44
Figure 28	Sealing of Fitting Body into Process	44
Figure 29	Tightening the Clasp Nut.....	45
Figure 30	Installing the DMT348 Probe Through a Ball Valve Assembly	47
Figure 31	Probe in Leak Screw Installation	49
Figure 32	DM240FA with Probe	50
Figure 33	Example of Installing the Probe Directly on the Process Pipe	51
Figure 34	Sampling Cells DMT242SC2 and DMT242SC	52
Figure 35	Installing the Probe in High Temperatures.....	53
Figure 36	Power Supply Module	54
Figure 37	Galvanic Output Isolation Module	58
Figure 38	Third Analog Output	59
Figure 39	Third analog output selection	60
Figure 40	Relay Module	61
Figure 41	RS-485-Module	62
Figure 42	4-Wire RS-485 Bus	63
Figure 43	LAN Interface Module.....	65
Figure 44	WLAN Interface Module	66
Figure 45	Data Logger Module.....	68
Figure 46	Wiring of the Optional 8-pin Connector	69
Figure 47	Basic Display	72
Figure 48	Graphical Display	72
Figure 49	Graphical Display with Data Logger	73
Figure 50	Main Views	75
Figure 51	Display Alarm Active	78
Figure 52	Display Alarms	79
Figure 53	Modifying an Alarm Limit.....	79

Figure 54	Service Port Connector and User Port Terminal on the Mother Board	81
Figure 55	Connection Example Between PC Serial Port and User Port ..	82
Figure 56	Network Interface Menu	85
Figure 57	IP Configuration Menu	85
Figure 58	Wireless LAN Settings	88
Figure 59	Entering Network SSID	88
Figure 60	Selecting the Wireless Network Type	88
Figure 61	Web Configuration Interface for WLAN	91
Figure 62	Opening a Serial Connection	92
Figure 63	Opening a Telnet Connection	93
Figure 64	Pressure Set Buttons on the Motherboard	102
Figure 65	Following Device Information on the Display	107
Figure 66	Current/Voltage Switches of Output Modules	115
Figure 67	Measurement-Based Relay Output Modes	120
Figure 68	FAULT/ONLINE STATUS Relay Output Modes	123
Figure 69	Relay Availability	124
Figure 70	Following AutoCal on the Display	131
Figure 71	Performing Manual Purge	132
Figure 72	Activating Start-up Purge	133
Figure 73	Error Indicator and Error Message	136
Figure 74	Starting the Adjustment	144
Figure 75	Performing Purge	144
Figure 76	Following the RH Trend on Graphical Display	145
Figure 77	Ending Adjustment of Point 1	145
Figure 78	Proceeding to Adjustment of Point 2	145
Figure 79	Completing Adjustment of Point 2	145
Figure 80	Following Stabilization	147
Figure 81	Proceeding with $T_{d/f}$ Adjustment	147
Figure 82	Completing $T_{d/f}$ Adjustment	147
Figure 83	Dewpoint Accuracy Graph	153
Figure 84	DMT340 Transmitter Body Dimensions	160
Figure 85	WLAN Antenna Dimensions	161
Figure 86	Sampling Cell Dimensions	161
Figure 87	DMT342 Probe Dimensions	162
Figure 88	DMT344 Probe Dimensions	162
Figure 89	DMT347 Probe Dimensions	163
Figure 90	DMT348 Standard Probe Dimensions	163
Figure 91	NPT 1/2" Nut Dimensions	164
Figure 92	DMT348 Optional 400mm Probe Dimensions	164

List of Tables

Table 1	Manual Revisions	14
Table 2	Application, Location Classes	16
Table 2	Quantities and Their Abbreviations	19
Table 3	Optional Quantities and Their Abbreviations	20
Table 4	DMT348 Probe Dimensions	44
Table 5	Connecting the Twisted Pair Wires to the Screw Terminals	63
Table 6	4-Wire (Switch 3:On)	64
Table 7	2-Wire (Switch 3:Off)	64
Table 8	Observation Periods and Resolution	67
Table 9	Wiring of the 8-pin connector	69
Table 10	Periods for Trend and Max/Min Calculations	73
Table 11	Graph Information Messages	74
Table 12	Default Serial Communication Settings for the User Port	81
Table 13	Communication Settings for the Service Port	83
Table 14	IP Settings for the LAN and WLAN Interfaces	84
Table 15	Wireless LAN Settings.....	87
Table 16	Measurement Commands	94
Table 17	Formatting Commands.....	94
Table 18	Data Recording Commands	94
Table 19	Purge Commands	95
Table 20	Autocalibration Commands	95
Table 21	Calibration and Adjustment Commands.....	95
Table 22	Setting and Testing the Analog Outputs	95
Table 23	Setting and Testing the Relays	95
Table 24	Other Commands	95
Table 25	FORM Command Modifiers.....	99
Table 26	Multiplication Factors.....	103
Table 27	Selection of Output Modes	105
Table 28	Filtering Levels	106
Table 29	Error Messages	137
Table 30	Indicator Led Functions	142
Table 31	Options and Accessories.....	158

This page intentionally left blank.

CHAPTER 1

GENERAL INFORMATION

About This Manual

This manual provides information for installing, operating, and maintaining Vaisala DRYCAP[®] Dewpoint and Temperature Transmitter Series DMT340.

Contents of This Manual

This manual consists of the following chapters:

- Chapter 1, General Information, provides general notes for the manual and the product.
- Chapter 2, Product Overview, introduces the features, advantages, and the product nomenclature of the DMT340.
- Chapter 3, Installation, provides you with information that is intended to help you install the product.
- Chapter 4, Operation, contains information that is needed to operate the product.
- Chapter 5, Maintenance, contains information that is needed in basic maintenance of the product.
- Chapter 6, Calibration and adjustment, provides information and instructions concerning the calibration and adjustment of the DMT340.
- Chapter 7, Technical Data, provides the technical data of the product.
- Appendix A, Calculation Formulas, presents the equations used for the calculated output quantities.

Version Information

Table 1 Manual Revisions

Manual Code	Description
M210704EN-A	April 2005 - First release
M210704EN-B	November 2006
M210704EN-C	June 2007 - Data logger module and USB-RJ45 cable added as new options. Support for Chinese language.
M210704EN-D	May 2008 – New options added: LAN Interface, WLAN Interface. Display Alarm feature added.
M210704EN-E	June 2009 – Added PuTTY terminal application instructions, revised description of the MI70 Link software. Removed instructions for HyperTerminal.

General Safety Considerations

Throughout the manual, important safety considerations are highlighted as follows:

WARNING Warning alerts you to a serious hazard. If you do not read and follow instructions very carefully at this point, there is a risk of injury or even death.

CAUTION Caution warns you of a potential hazard. If you do not read and follow instructions carefully at this point, the product could be damaged or important data could be lost.

NOTE Note highlights important information on using the product.

Feedback

Vaisala Customer Documentation Team welcomes your comments and suggestions on the quality and usefulness of this publication. If you find errors or have other suggestions for improvement, please indicate the chapter, section, and page number. You can send comments to us by e-mail: manuals@vaisala.com

Product Related Safety Precautions

The DMT340 Dewpoint and Temperature Transmitter delivered to you has been tested for safety and approved as shipped from the factory. Note the following precautions:

WARNING Ground the product, and verify outdoor installation grounding periodically to minimize shock hazard.

CAUTION Do not modify the unit. Improper modification can damage the product, lead to malfunction, or make the product noncompliant with applicable legislation.

ESD Protection

Electrostatic Discharge (ESD) can cause immediate or latent damage to electronic circuits. Vaisala products are adequately protected against ESD for their intended use. However, it is possible to damage the product by delivering electrostatic discharges when touching, removing, or inserting any objects inside the equipment housing.

To make sure you are not delivering high static voltages yourself:

- Handle ESD sensitive components on a properly grounded and protected ESD workbench. When this is not possible, ground yourself to the equipment chassis before touching the boards. Ground yourself with a wrist strap and a resistive connection cord. When neither of the above is possible, touch a conductive part of the equipment chassis with your other hand before touching the boards.
- Always hold the boards by the edges and avoid touching the component contacts.

Recycling



Recycle all applicable material.



Dispose of batteries and the unit according to statutory regulations. Do not dispose of with regular household refuse.

Regulatory Compliances

DNV Type Approval

The Vaisala DRYCAP® Dewpoint and Temperature Transmitter Series DMT340 is found to comply with Det Norske Veritas' Rules for Classification of Ships, High Speed & Light Craft and Det Norske Veritas' Offshore standards.

Applicable tests carried out according to Standard for Certification No. 2.4, April 2006.

Table 2 Application, Location Classes

Type	DMT340
Temperature	B
Humidity	B
Vibration	A
EMC	B
Enclosure	B/IP65



TYPE APPROVED PRODUCT
 CERTIFICATE NO.: A-11440

Transmitters with LAN or WLAN Interface

This equipment has been tested and found to comply with the limits for a Class B digital device, pursuant to Part 15 of the FCC Rules. These limits are designed to provide reasonable protection against harmful interference in a residential installation. Operation is subject to the following two conditions: (1) this device may not cause interference, and (2) this device must accept any interference, including interference that may cause undesired operation of the device.

This equipment generates, uses and can radiate radio frequency energy and, if not installed and used in accordance with the instructions, may cause harmful interference to radio communications. However, there is

no guarantee that interference will not occur in a particular installation. If this equipment does cause harmful interference to radio or television reception, which can be determined by turning the equipment off and on, the user is encouraged to try to correct the interference by one or more of the following measures:

- Reorient or relocate the receiving antenna.
- Increase the separation between the equipment and receiver.
- Connect the equipment into an outlet on a circuit different from that to which the receiver is connected.
- Consult the dealer or an experienced radio/TV technician for help.

Transmitters with WLAN Interface

This device has been designed to operate with a 2 dBi half-wave antenna. Antennas with a gain greater than 2 dB are strictly prohibited for use with this device. The required antenna impedance is 50 ohms.

To reduce potential radio interference to other users, the antenna type and its gain should be so chosen that the equivalent isotropically radiated power (e.i.r.p.) is not more than that permitted for successful communication.

This Class [B] digital apparatus complies with Canadian ICES-003.

Cet appareil numérique de la classe [B] est conforme à la norme NMB-003 du Canada.

Patent Notice

The Vaisala DRYCAP® Dewpoint and Temperature Transmitter Series DMT340 is protected by, for example, the following patents and their corresponding national rights:

Finnish patents 98861 and 99164, French patents 6650303 and 9504397, German patents 69418174 and 19513274, Japanese patents 3585973 and 2801156, UK patents 0665303 and 2288465, U.S. patent 5607564.

Trademarks

DRYCAP® is a registered trademark of Vaisala Oyj.

Windows® is a registered trademark of Microsoft Corporation in the United States and/or other countries.

License Agreement

All rights to any software are held by Vaisala or third parties. The customer is allowed to use the software only to the extent that is provided by the applicable supply contract or Software License Agreement.

Warranty

For certain products Vaisala normally gives a limited one-year warranty. Please observe that any such warranty may not be valid in case of damage due to normal wear and tear, exceptional operating conditions, negligent handling or installation, or unauthorized modifications. Please see the applicable supply contract or Conditions of Sale for details of the warranty for each product.

CHAPTER 2

PRODUCT OVERVIEW

This chapter introduces the features, advantages, and the product nomenclature of the Vaisala DRYCAP[®] Dewpoint and Temperature Transmitter DMT340 Series.

Introduction to DMT340

The DMT340 transmitter measures dewpoint temperature accurately in a measurement range from -60°C to +80 °C (-76 ... +176 °F). The AutoCal feature provides excellent long term stability of the measurement. DMT340 incorporates the advanced DRYCAP[®] technology, which enables reliable and high-performance dewpoint measurement.

Apart from the extended dewpoint measurement range the optional modules provide for more flexibility. See Table 3 below for the quantities that DMT340 measures and calculates. See Table 4 below for the optional quantities measured by DMT340.

Table 3 Quantities and Their Abbreviations

Quantity	Abbreviation	Metric Unit	Non Metric Unit
Dewpoint/frost point temperature ($T_{d/f}$)	TDF	°C	°F
Mixing ratio (x)	X	g/kg	gr/lb
Parts per million	H2O	ppm _v / ppm _w	ppm _v / ppm _w

Table 4 Optional Quantities and Their Abbreviations

Quantity	Abbreviation	Metric Unit	Non Metric Unit
Relative humidity RH	RH	%RH	%RH
Temperature T	T	°C	°F
Dewpoint/frost point in the atmospheric pressure ($T_{d/f}$)	TDFA	°C atm	°F atm
Absolute humidity (a)	A	g/m ³	gr/ft ³
Absolute humidity in standard pressure and temperature (NTP)	ANTP	g/m ³	gr/ft ³
Wet bulb temperature (T_w)	TW	°C	°F
Water vapor pressure (P_w)	PW	hPa	lb/in ²
Water vapor saturation pressure (P_{ws})	PWS	hPa	lb/in ²
Enthalpy (h)	H	kJ/kg	Btu/lb
Difference of T and $T_{d/f}$ (ΔT)	DT	°C	°F
Dewpoint temperature (T_d)*	TD	°C	°F
Dewpoint in the atmospheric pressure (T_d)*	TDA	°C atm	°F atm

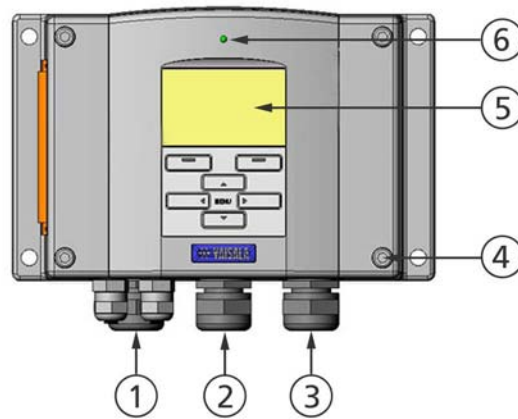
* use these parameters only if you need dewpoint over water below 0 °C/32°F and not over ice (industry standard)

Basic Features and Options

DMT340 has the following basic features and options:

- Dewpoint measurement with AutoCal and sensor purge features
- Sensor warming in high humidities
- Two analog outputs and a serial interface
- Several probes for different applications
- User friendly multilingual display option
- Calculated output quantities available.
- Different probe mounting kits, sensor protection options and probe cable lengths 2 m, 5 m or 10 m.
- USB connectivity for service connections via the optional USB-RJ45 cable
- Optional modules:
 - galvanic isolation for outputs
 - AC mains power supply
 - RS-485 serial line
 - LAN and WLAN interfaces
 - data logger module with real time clock
 - additional analog output module
 - alarm relay module

Structure of the Transmitter

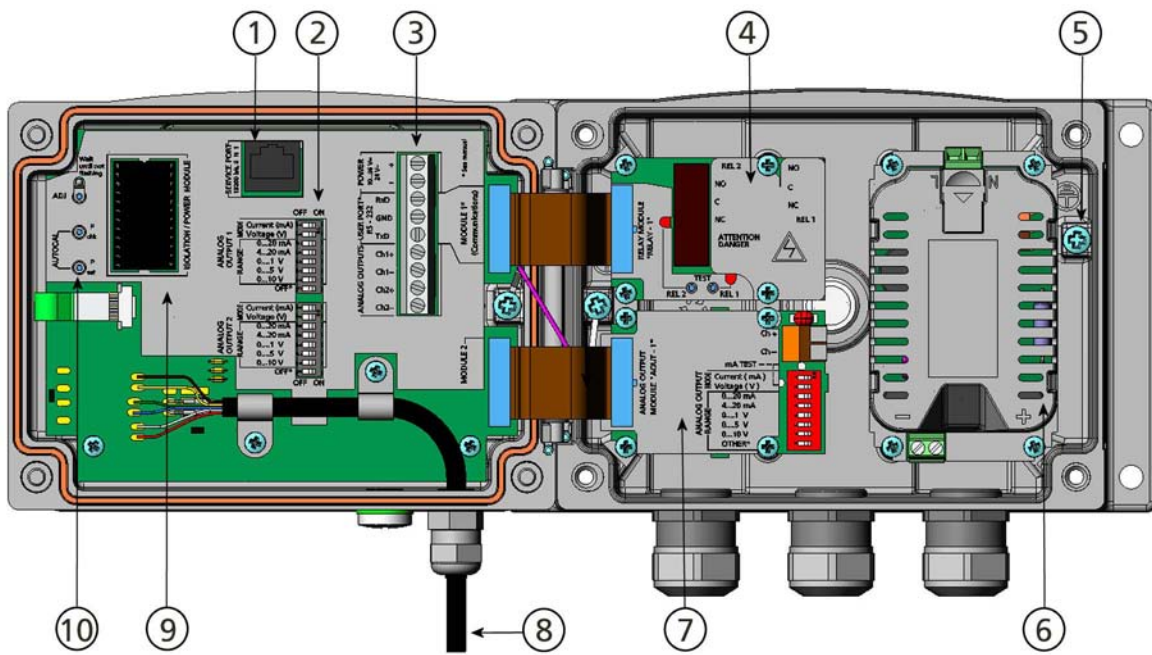


0604-005

Figure 1 Transmitter Body

The numbers refer to Figure 1:

- 1 = Signal + powering cable gland
- 2 = Cable gland for optional module, or WLAN antenna connector
- 3 = Cable gland for optional module
- 4 = Cover screw (4 pcs)
- 5 = Display with keypad (optional)
- 6 = Cover LED



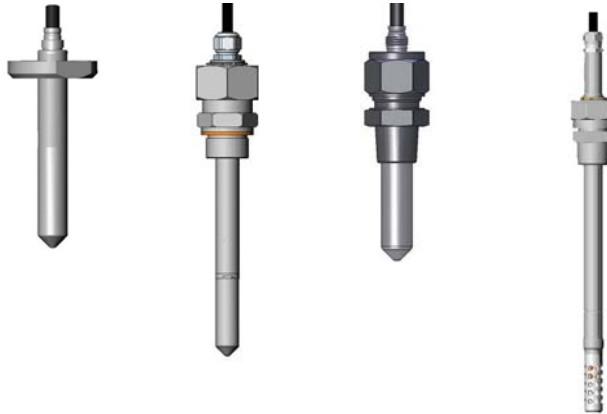
0604-006

Figure 2 Inside the Transmitter

Numbers refer to Figure 2:

- 1 = Service port (RS-232)
- 2 = Dip switches for analog output settings
- 3 = Power supply and signal wiring screw terminals
- 4 = Relay, data logger, RS-422/485, LAN, or WLAN module (optional)
- 5 = Grounding connector
- 6 = Power supply module (optional)
- 7 = Relay, data logger, or analog output module (optional)
- 8 = Dewpoint probe
- 9 = Output isolation module (optional)
- 10 = Adjustment button (Purge button) with indicator led and pressure set buttons.

Probe Options



DMT342
small-size
flanged probe
for use with
sampling cell

DMT344
for high
pressure
applications

DMT347
probe with
Swagelok
connector

DMT348
for pressurized
pipelines

0503-019

Figure 3 **Probe Options**

Probe cable lengths are 2 m, 5 m and 10 m.

This page intentionally left blank.

CHAPTER 3

INSTALLATION

Mounting the Housing

The housing can be mounted either without the mounting plate or with optional mounting plates.

Standard Mounting without Mounting Plate

Mount the housing without the mounting plate by fastening the transmitter to the wall with 4 screws, for example M6 (not provided).

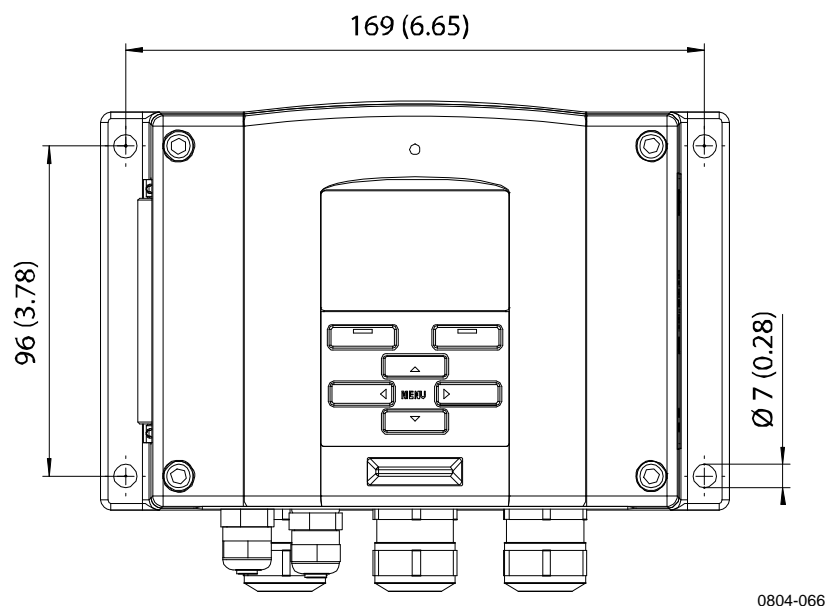
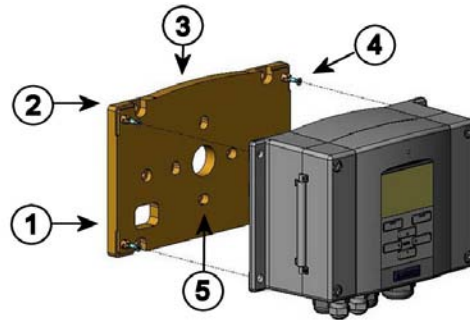


Figure 4 Standard Mounting

Wall Mounting with Wall Mounting Kit

When mounting with wall mounting kit the mounting plate (Vaisala order code 214829) can be installed directly on wall or onto a standard wall box (also US junction box). When wiring through back wall, remove the plastic plug from the wiring hole in the transmitter before mounting.

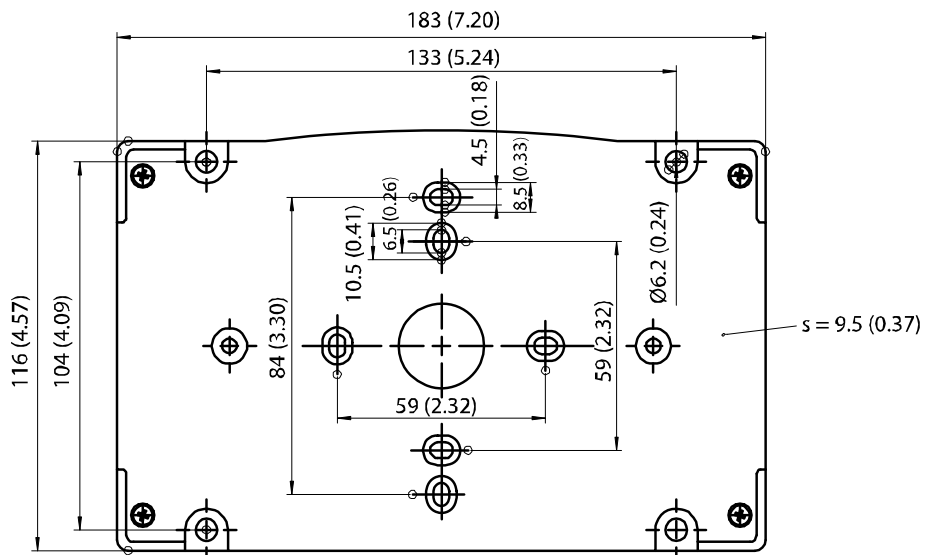


0503-004

Figure 5 Mounting with Wall Mounting Kit

The numbers refer to Figure 5 above:

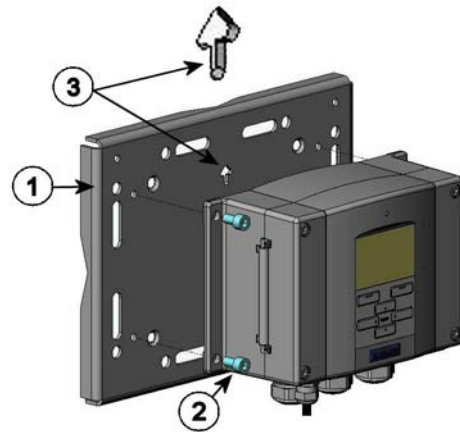
- 1 = Plastic mounting plate
- 2 = Mount the plate to wall with 4 screws M6 (not provided)
- 3 = The arched side up
- 4 = Fasten DMT340 to the mounting plate with 4 fixing screws M3 (provided)
- 5 = Holes for wall/junction box mounting



0804-065

Figure 6 Dimensions of the Plastic Mounting Plate (mm/inch)

Metal mounting plate is included in rain shield with installation kit and installation kit for pole or pipeline.

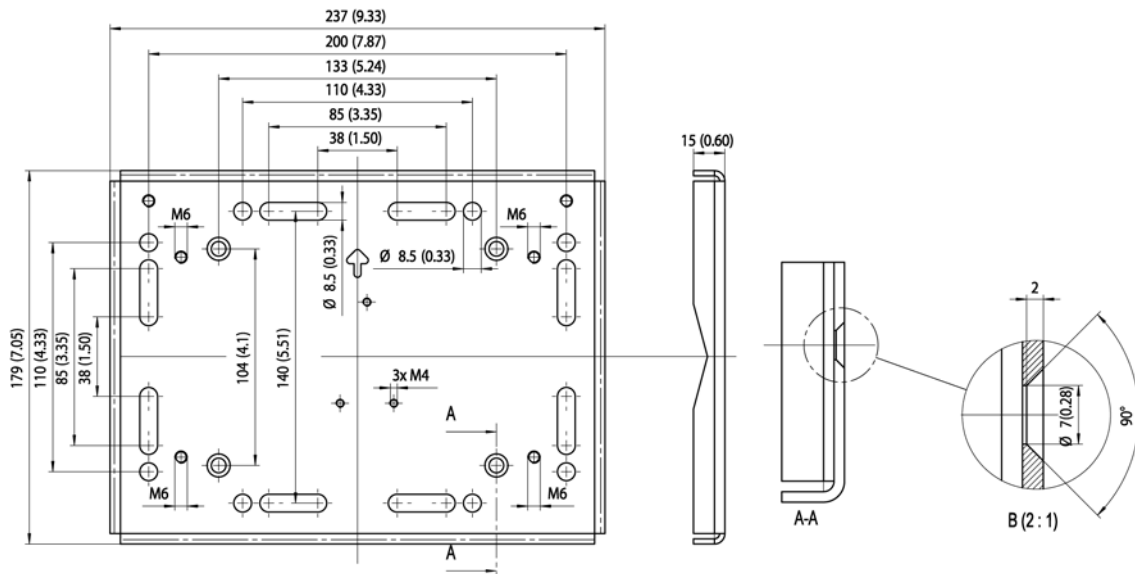


0503-041

Figure 7 Mounting with Metal Wall Mounting Plate

Numbers refer to Figure 7:

- 1 = Mount the plate to wall with 4 screws M8 (not provided)
- 2 = Fasten DMT340 to the mounting plate with 4 fixing screws M6 (provided)
- 3 = Note the position of the arrow when mounting. This side must be up when mounting.



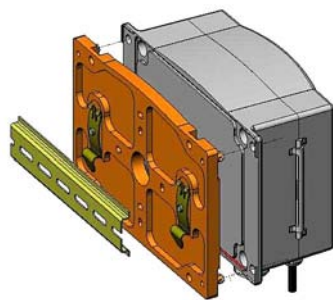
0509-151

Figure 8 Dimensions of Metal Mounting Plate (mm/inch)

Mounting with DIN Rail Installation Kit

DIN rail installation kit includes a wall mounting kit, 2 clip-fasteners and 2 screws M4 x 10 DIN 7985 (Vaisala order code 215094).

1. Attach two spring holders to the plastic mounting plate by using the screws provided in the installation kit.
2. Fasten DMT340 to the plastic mounting plate with 4 screws provided for that purpose.
3. Press the transmitter onto the DIN rail so that the clip-fasteners snap into the rail.



0503-002

Figure 9 **Mounting with DIN Rail Installation Kit**

Pole Installation with Installation Kit for Pole or Pipeline

Installation kit for pole or pipeline (Vaisala order code: 215108) includes the metal mounting plate and 4 mounting nuts for pole mounting. When mounting, the arrow in the metal mounting plate must point upwards, see Figure 7 on page 27.

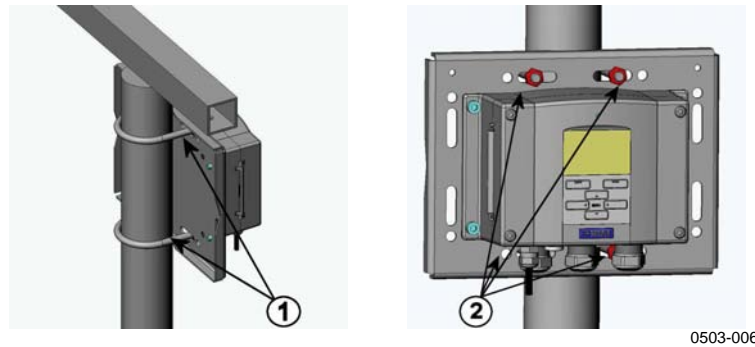


Figure 10 Vertical Pole

Numbers refer to Figure 10 above.

- 1 = Fixing brackets (2 pcs) M8 (provided) for 30 ... 102 mm poles.
- 2 = Mounting nuts M8 (4 pcs)

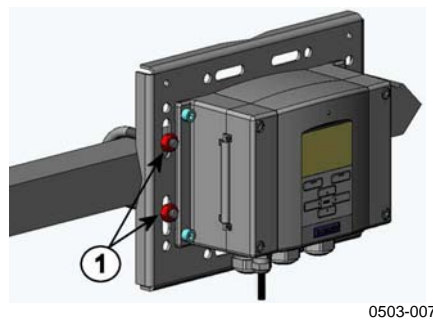


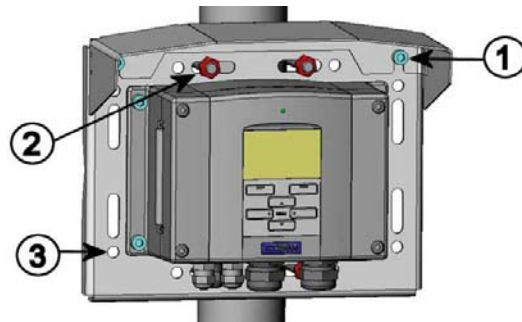
Figure 11 Horizontal Pole

Number refers to Figure 11 above.

- 1 = Mounting nuts M8 (4 pcs)

Mounting the Rain Shield with Installation Kit

Vaisala order code: 215109



0503-008

Figure 12 Mounting the Rain Shield with Installation Kit

Numbers refer to Figure 12 above.

- 1 = Fasten the rain shield with installation kit to the metal mounting plate with 2 (M6) mounting screws (provided).
- 2 = Fasten the mounting plate with rain shield with installation kit to the wall or to the pole (see pole installation).
- 3 = Fasten DMT340 to the mounting plate with 4 fixing screws (provided).

Panel Mounting Frame

To enable a neat and dirt free embedded installation of the transmitter, a panel mounting frame is available as an option (Vaisala order code: 216038). The frame is a thin, flexible plastic frame for the transmitter, with adhesive tape on one side.

The frame is used to hide any rough edges of the installation hole, and provide a more finished look. Note that the panel mounting frame is not intended to bear the weight of the transmitter, and does not include any mounting supports.

Use the panel mounting frame as follows:

1. Use the frame as a template to mark the required size for the installation hole in the panel.
2. Cut the hole in the panel.
3. Mount the transmitter through the panel with suitable supports.

4. Remove the paper protecting the adhesive tape on the frame, and attach the frame around the transmitter. Refer to Figure 13 below.

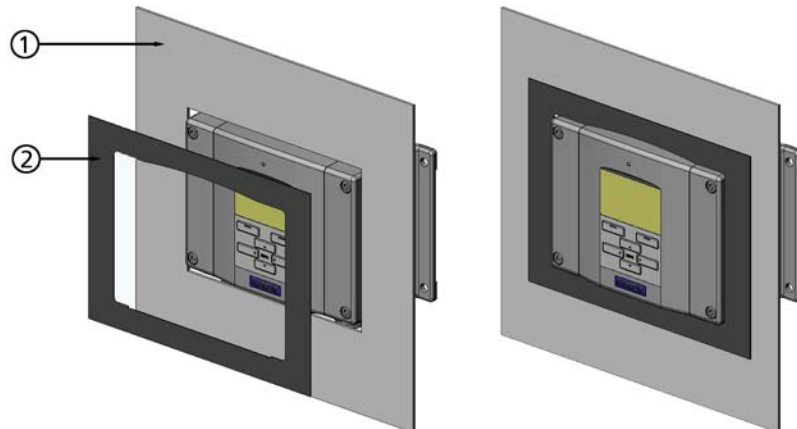
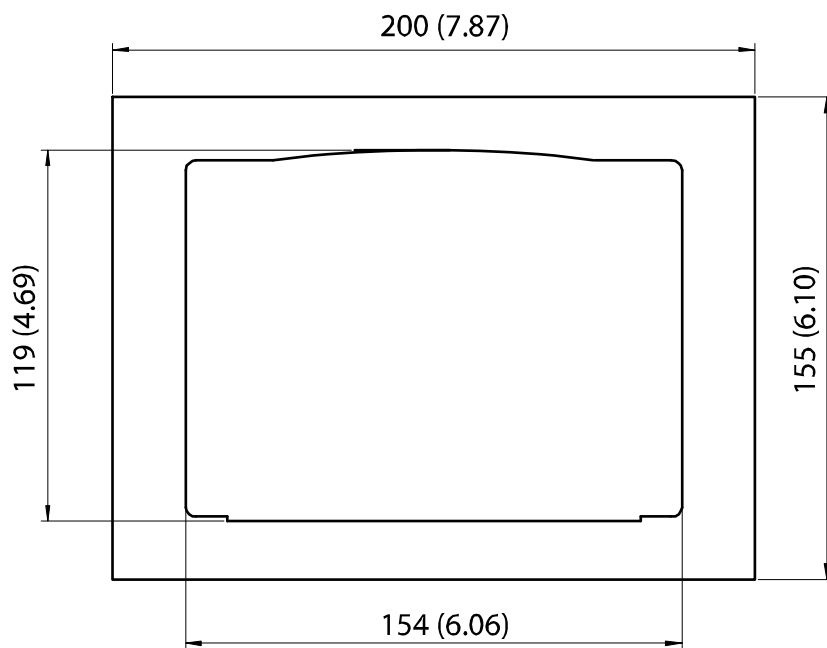


Figure 13 Panel Mounting Frame

The following numbers refer to Figure 13 above:

- 1 = Panel (not included)
- 2 = Panel mounting frame



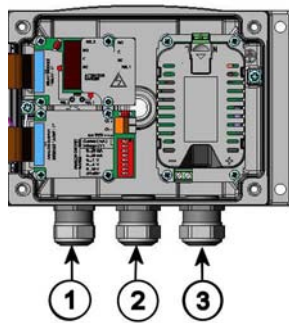
0804-083

Figure 14 Panel Mounting Dimensions (mm/inch)

Wiring

Cable Bushings

A single electrical cable with a screen and three to ten wires is recommended for power and analog/serial connections. The cable diameter should be 8...11 mm. The number of cable bushings depends on the transmitter options. See the following recommendations for the cable bushings:



0503-010

Figure 15 Cable Bushings

Numbers refer to Figure 15 above:

- 1 = Cable for signal/powering $\text{Ø}8 \dots 11 \text{ mm}$
- 2 = Cable for optional module $\text{Ø}8 \dots 11 \text{ mm}$
- 3 = Cable for optional power module $\text{Ø}8 \dots 11 \text{ mm}$

NOTE

When there is high electric noise level (for example near powerful electric motor) in the operating environment it is recommended to use shielded cable or take care that the signal cables are separated from other cables.

Grounding the Cables

Ground the screen of the electrical cable properly to achieve the best possible EMC performance.

Fig. 1

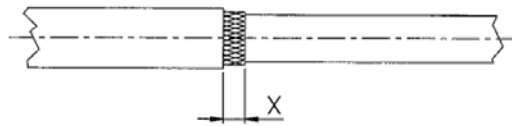


Fig. 2

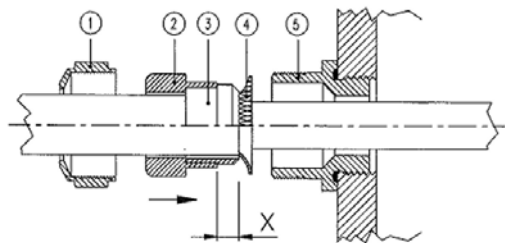
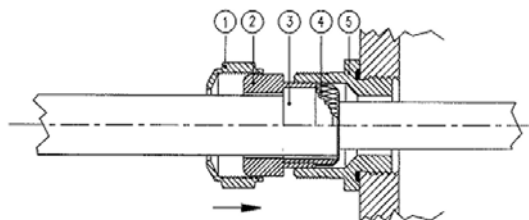


Fig. 3



0504-049

Figure 16 Grounding the Screen of Electrical Cable

1. Cut back outer sheath to desired length.
2. Cut back screen braiding or screen foil to dimension X (see figure 3).
3. Push the domed cap nut (item 1) and the seal insert with contact socket of the gland (item 2+3) onto the cable as shown in the diagram
4. Bend over the screen braiding or screen foil by about 90° (item 4).
5. Push the seal insert with the contact socket of the gland (item 2+3) up to the screen braiding or screen foil.
6. Mount the lower part (item 5) on the housing

7. Push the seal with the contact socket of the gland and (item 2+3) flush into the lower part (item 5).
8. Fasten the domed cap nut (item 1) onto the lower part (item 5).

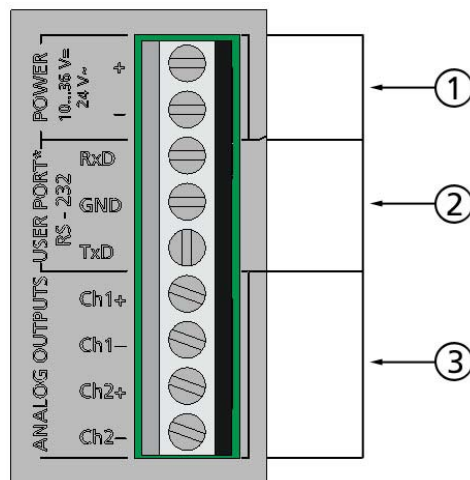
Transmitter Housing Grounding

In case you need to ground the transmitter housing, the grounding connector is found inside the housing (see Figure 1 on page 21) Note anyhow that the probe is connected to the same potential as the housing. Make sure that different groundings are made to the same potential. Otherwise harmful ground currents may be generated.

If it is needed to have galvanic isolation of the power supply line from the output signals, DMT340 can be ordered with optional output isolation module. This module prevents harmful grounding loops.

Signal and Power Supply Wiring

When connecting transmitter with 8-pin connector, see section 8-pin Connector on page 69.



0605-028

Figure 17 Screw Terminal Block on the Motherboard

Numbers refer to Figure 17 on page 34:

- 1 = Power supply terminals 10 ... 35 VDC, 24 VAC
- 2 = User port (RS-232 terminals)
- 3 = Analog signal terminals

WARNING Make sure that you connect only de-energized wires.

1. Open the transmitter cover by taking out the four cover screws.
2. Insert the power supply wires and signal wires through the cable bushing in the bottom of the transmitter; see the grounding instructions in the previous sections.
3. Connect the analog output cables to terminals: **Ch1 +, Ch1-, Ch2+, Ch2-**. Connect the RS-232 user port cables to terminals RxD, GND and TxD, more about the RS-232 connection in Section Serial Line Communication on page 80.
4. When wiring the optional modules, see the corresponding section for instructions:
 - RS-422/485 Interface on page 62
 - Alarm Relays on page 60
 - Third Analog Output on page 59
 - LAN Interface on page 64
 - WLAN Interface on page 65
5. Connect the power supply wires to the connectors: **POWER 10...35V+ 24V~ (+) and (-)** terminals. (If using AC voltage, connect **always** phase to power supply (+) and 0 to power supply (-)). When wiring the power supply module, see section Power Supply Module on page 54.
6. Turn on the power. The indicator led on the cover lit continuously during normal operation.
7. Close the cover and replace the cover screws. The transmitter is ready for use.

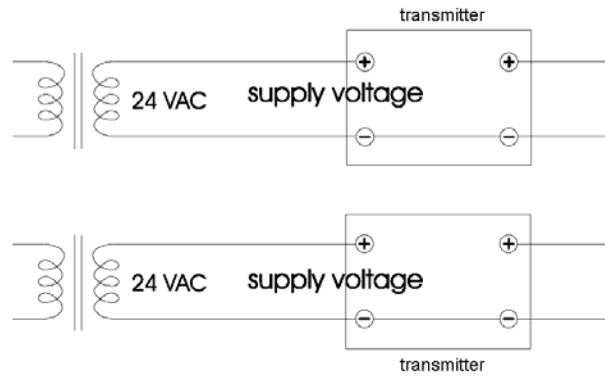
Connections to a 24 VAC Power Supply

Separate floating supply for each transmitter is recommended (see the upper part of Figure 18 on page 36). If you have to connect several transmitters or other instruments to one AC supply, the phase (~) must always be connected to the (+) connector of each transmitter (see the lower part of Figure 18).

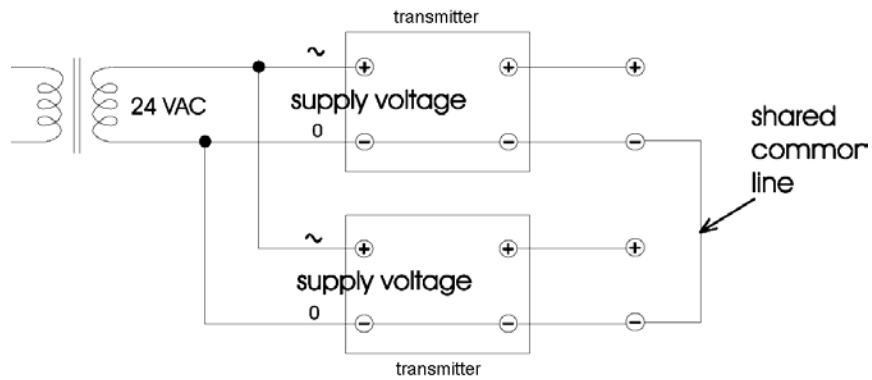
CAUTION 24 VAC POWER SUPPLY USE

To prevent fire and/or damage, if either 24 VAC wire is **grounded** or **connected to a "-", "0", or "GND" terminal** of any other device, you must **connect the same wire on the "-" terminal** also on this instrument.

No common loop - RECOMMENDED!



Common loop formed - NOT recommended!



0703-041

Figure 18 Connections to 24 VAC Power Supply

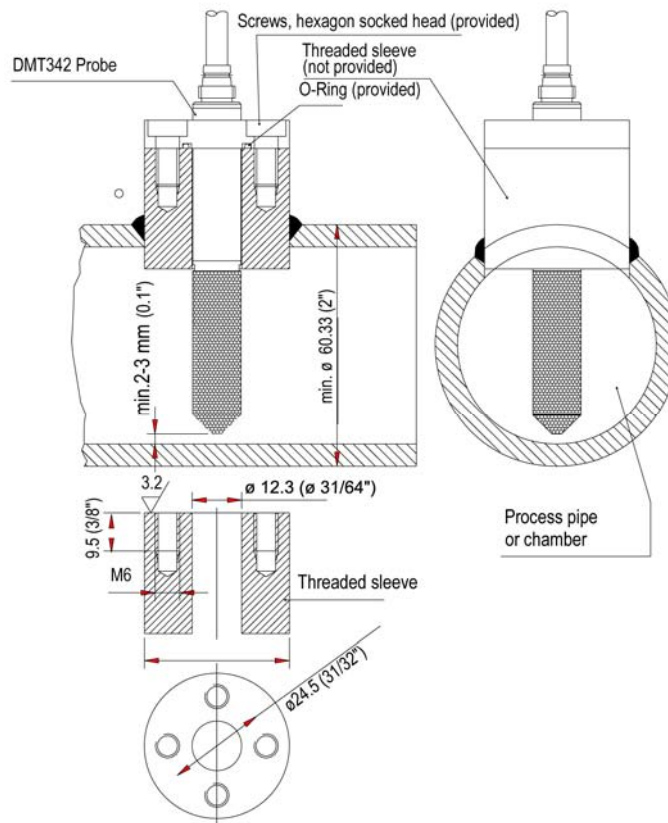
Probe Mounting

NOTE

When measuring temperature dependent quantities make sure that the temperature at the measurement point is equal to that of the process, otherwise the moisture reading may be incorrect.

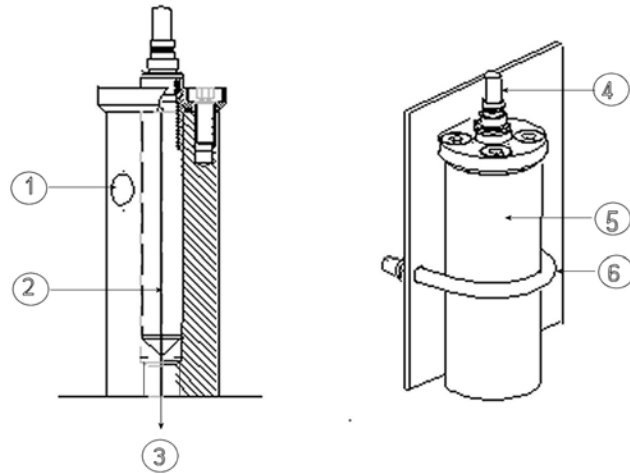
DMT342 Small-size Flanged Probe for Use with Sampling Cell

The DMT342 probe is a small pressure-tight probe equipped with installation flange. When sampling in pressurized processes, the sampling cell HMP302SC is available as an optional accessory. It may be necessary to use the sampling cell if the process (for example a pipe) is too small for the DMT342 probe. Furthermore, if the process is very hot ($>80\text{ }^{\circ}\text{C}$) or particularly dirty, the probe is installed in a sampling cell behind a cooling coil and/or filter. In this case, the ambient temperature must be at least $10\text{ }^{\circ}\text{C}$ warmer than the process dewpoint in order to avoid condensation in the sample tubing.



0503-018

Figure 19 DMT342 Installation (without the Sampling Cell)



0503-017

Figure 20 HMP302SC Optional Sampling Cell

Numbers refer to Figure 20 above.

- 1 = Gas in
- 2 = Probe
- 3 = Gas out
- 4 = Probe
- 5 = Sampling cell
- 6 = Clamp (not needed if sampling cell is supported on the piping)

CAUTION

In pressurized processes it is essential to tighten the supporting nuts and screws very carefully to prevent loosening of the probe by the action of pressure.

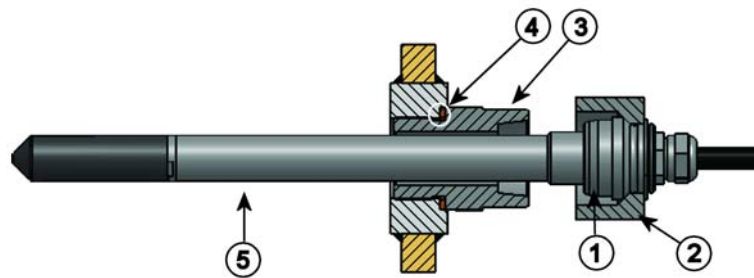
NOTE

When the DMT340 is installed in a process with a pressure differing from the selected operating pressure at the time of ordering, please enter the pressure value of the process into the transmitter memory, see section Pressure Compensation Setting on page 101. Use the serial line commands XPRES and PRES or the display/keypad. The pressure set buttons on the motherboard inside the transmitter can also be used to set pressure compensation.

DMT344 For High-pressure Applications

The DMT344 probe is for the dewpoint measurements in pressurized rooms and industrial processes. The probe is provided with a nut, a fitting screw and a sealing washer. Keep the fitting screw and the nut in place on the body of the probe during handling to prevent damage to the highly polished surface of the probe. Follow the instructions below to achieve a leak-tight assembly:

1. Remove the fitting screw from the nut and the probe.
2. Fasten the fitting screw to the chamber wall with a sealing washer. Tighten the fitting screw into the threaded sleeve with a torque spanner. The tightening torque is 150 ± 10 Nm (110 ± 7 ft-lbs).
3. Insert the body of the probe into the fitting screw and install the nut manually to the fitting screw so that the connection feels tight.
4. Mark both the fitting screw and the nut hex.



0506-029

Figure 21 DMT344 Probe

Numbers refer to Figure 21 above:

- | | | |
|---|---|------------------------------------|
| 1 | = | Tightening cone |
| 2 | = | Nut |
| 3 | = | Fitting screw, M22x1.5 or NPT 1/2" |
| 4 | = | Sealing washer |
| 5 | = | Probe; Ø12 mm. |

5. Tighten the nut a further 30° (1/12) turn or if you have a torque spanner tighten it with a torque of 80 ± 10 Nm (60 ± 7 ft-lbs).

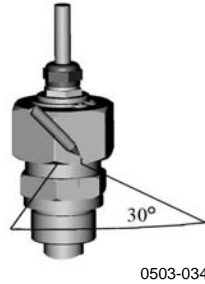


Figure 22 Tightening the Nut

NOTE When re-tightening the nut after detachment the nut must be tightened without increased effort.

6. Clean and grease the tightening cone of the fitting screw after every tenth detachment. Change the sealing washer every time the fitting screw is detached. Use high-vacuum grease (for example Dow Corning) or a similar grease.

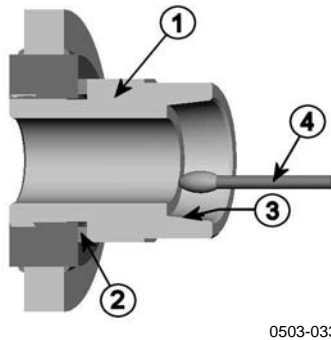


Figure 23 Cleaning of the Tightening Cone

Numbers refer to Figure 23 above:

- 1 = Fitting screw
- 2 = Sealing washer
- 3 = Tightening cone
- 4 = Clean cotton stick

CAUTION In pressurized processes it is essential to tighten the supporting nuts and screws very carefully to prevent loosening of the probe by the action of pressure.

NOTE

When the DMT340 is installed in a process with a pressure differing from the selected operating pressure at the time of ordering, please enter the pressure value of the process into the transmitter memory, see section Pressure Compensation Setting on page 101. Use the serial line commands XPRES and PRES or the display/keypad. The pressure set buttons on the motherboard inside the transmitter can also be used to set pressure compensation.

DMT347 Small Pressure-tight Probe

The DMT347 is ideal for tight spaces with threaded connection. The small probe is installed using the threaded fitting bodies, see below.

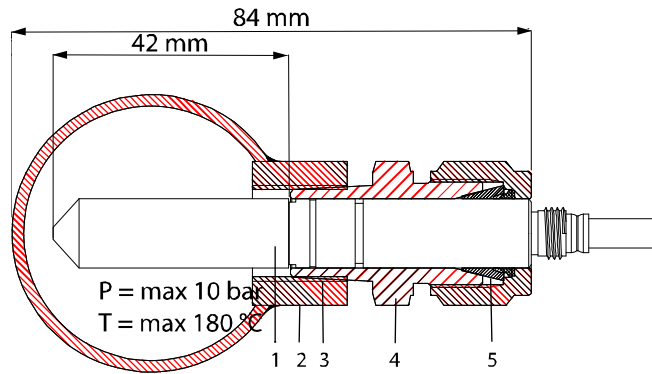
Pressure-Tight Swagelok Installation Kits for DMT347

Swagelok installation kit for the dewpoint probe includes Swagelok connector with ISO1/2" thread (Vaisala order code: SWG12ISO12), ISO3/8" thread (Vaisala order code: SWG12ISO38) or NPT1/2" thread (Vaisala order code: SWG12NPT12).



0503-042

Figure 24 DMT347 Probe with Swagelok Installation Kit



0503-021

Figure 25 DMT347 Probe Installation to Pipeline with Swagelok Installation Kit

Numbers refer to Figure 25 above:

- 1 = Probe
- 2 = Duct connector
- 3 = ISO1/2", ISO3/8" or NPT1/2" thread
- 4 = Swagelok connector
- 5 = Ferrules

1. Preparing Installation. The connector options are the following:
 - a. R3/8" ISO (Swagelok code SS-12M0-1-6RTBT)
 - b. 1/2" NPT (Swagelok code SS-12M0-1-8BT)
 - c. 1/2" ISO (Swagelok code SS-12M0-1-8RPBT)

Note that the connector inner diameters extend for Ø12 mm probe.

2. Probe position. Before the final tightening check that the upper edge of the connector nut is in line with the upper edge of the probe. Otherwise the sealing may not be gas tight.
3. Gas tight sealing
 - a. Turn the connector nut finger tight and draw a vertical mark on the nut and the fitting body.
 - b. Be sure that the probe position follows step 2.
 - c. Tighten the connector nut with a wrench 1 and 1/4 turns (360° +90°) with the help of marks you drew. The connector has now a gas tight connection to the probe. Excess tightening can damage the probe.
 - d. Connector can be disconnected and re-installed. In re-installation first turn the connector nut finger tight and then with wrench 1/4 turn (90°).

Use teflon tape or thread sealant to seal the connection between the Swagelok connector and the process, see Figure 28 on page 44.

NOTE

If the Swagelok connector is tightened at an incorrect position, it is possible that the probe will not fit the calibration station. Be sure that the probe position follows step 2 above.

DMT348 For Pressurized Pipelines

Due to the sliding fit the DMT348 is easy to install into and remove from the pressurized process. The probe is especially suitable for the measurements in pipelines. See section Ball Valve Installation Kit for DMT348 on page 46.

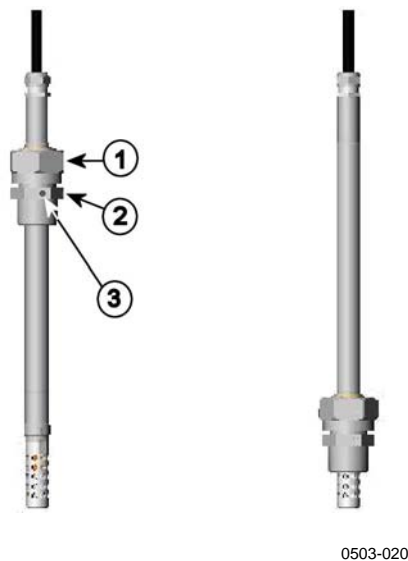


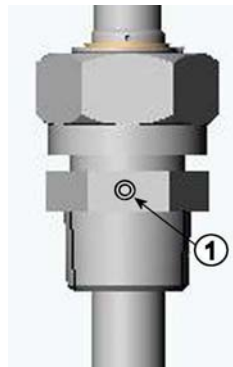
Figure 26 DMT348 Probe

Numbers refer to Figure 26 above.

- 1 = Clasp nut, 27 mm hex nut
- 2 = Fitting body, 24 mm hex head
- 3 = Leak screw

The following three fitting body options are available:

- Fitting Body Set ISO1/2 with leak screw
- Fitting Body ISO1/2 solid structure (without leak screw)
- Fitting Body NPT1/2 solid structure (without leak screw)



0503-005

Figure 27 Leak Screw in the DMT348 Probe

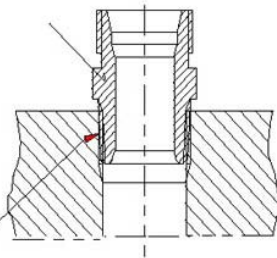
Number refers to Figure 27 above:

- 1 = Non-leaking screw (A) (factory setting) or leak screw (B) (included in the package)

Table 5 DMT348 Probe Dimensions

Probe type	Probe Dimension	Adjustment Range
Standard	178 mm	120 mm
Optional	400 mm	340 mm

fitting body
hex = 24mm
tapered thread



sealing with:

1. LOCTITE® No 542 + activ. No 7649 (t=-55...+150 °C)
2. MEGA-PIPE EXTRA No 7188 (t=-55...+170 °C)
3. PTFE tape (t=-60...+210 °C) NOTE: the tape does not lock the parts together. Therefore, use two fork spanners (hex 24 and 27 mm) for tightening and opening the clasp nut of the probe

0506-031

Figure 28 Sealing of Fitting Body into Process

Tightening the Clasp Nut

1. Adjust the probe to a suitable depth according to the type of installation.
2. Tighten the clasp nut first manually.
3. Mark the fitting screw and the clasp nut.
4. Tighten the nut a further 50 ... 60° (ca. 1/6 turn) with a wrench. If you have suitable torque spanner, tighten the nut to max 45 ± 5 Nm (33 ± 4 ft-lbs).

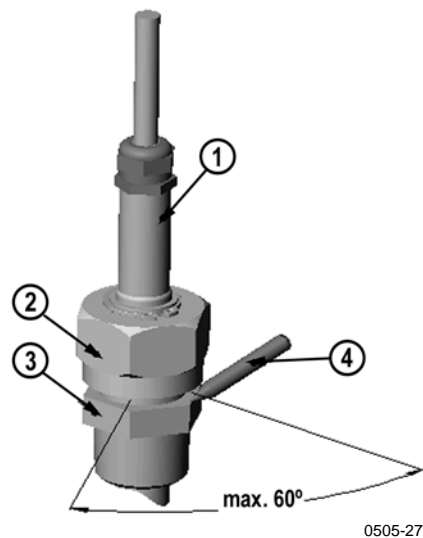


Figure 29 Tightening the Clasp Nut

The following numbers refer to Figure 29 above:

- 1 = Probe
- 2 = Clasp nut
- 3 = Fitting screw
- 4 = Pen

NOTE

Take care not to over tighten the clasp nut to avoid difficulties when opening it.

CAUTION

Take care not to damage the probe body. A damaged body makes the probe less tight and may prevent it from going through the clasp nut.

CAUTION

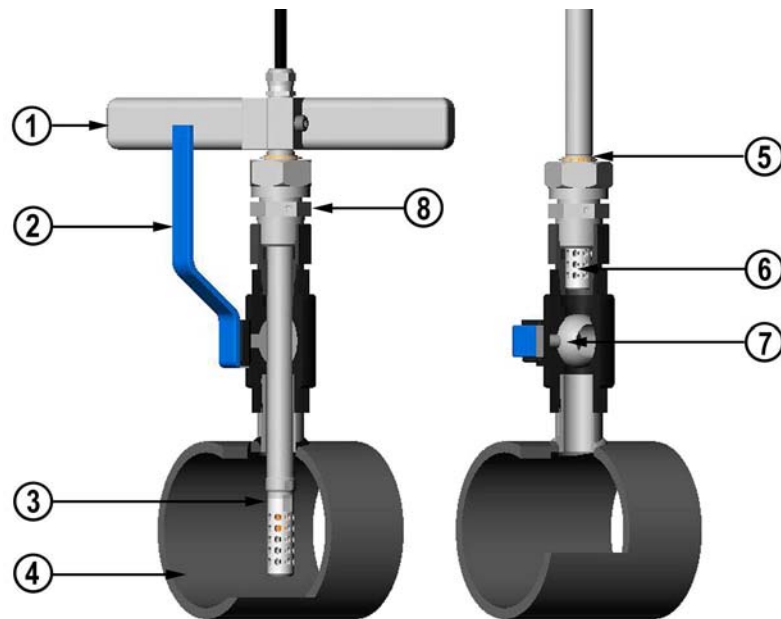
In pressurized processes it is essential to tighten the supporting nuts and screws very carefully to prevent loosening of the probe by the action of pressure.

NOTE

When the DMT340 is installed in a process with a pressure differing from the selected operating pressure at the time of ordering, please enter the pressure value of the process into the transmitter memory, see section Pressure Compensation Setting on page 101. Use the serial line commands XPRES and PRES or the display/keypad. The pressure set buttons on the motherboard inside the transmitter can also be used to set pressure compensation.

Ball Valve Installation Kit for DMT348

The ball valve installation kit (Vaisala order code: BALLVALVE-1) is preferred when connecting the probe to a pressurized process or pipeline. Use the ball valve set or a 1/2" ball valve assembly with a ball hole of $\varnothing 14$ mm or more. If you install the probe ($\varnothing 12$ mm) in a process pipe, please note that the nominal size of the pipe must be at least 1 inch (2.54 cm). Use the manual press handle to press the probe into the pressurized (< 10 bar) process or pipeline.



0507-043

Figure 30 Installing the DMT348 Probe Through a Ball Valve Assembly

The following numbers refer to Figure 30 above:

- 1 = Manual press tool
- 2 = Handle of the ball valve
- 3 = Probe
- 4 = Process chamber or pipeline
- 5 = Groove on the probe indicates the upper adjustment limit
- 6 = Filter
- 7 = Ball of the ball valve
- 8 = Fitting screw

NOTE

The probe can be installed in the process through the ball valve assembly provided that the process pressure is less than 10 bars. This way, the process does not have to be shut down when installing or removing the probe. However, if the process is shut down before removing the probe, the process pressure can be max. 20 bars.

NOTE

When measuring temperature dependent quantities make sure that the temperature at the measurement point is equal to that of the process, otherwise the moisture reading may be incorrect.

Follow the steps below to install the DMT348 probe through a ball valve assembly. After the installation, the probe should be sitting in the process chamber or pipeline as shown in Figure 30 on page 47.

1. Shut down the process if the process pressure is more than 10 bars. If the pressure is lower there is no need to shut down the process.
2. Close the ball valve.
3. Seal the threads on the fitting body; refer to Figure 28 on page 44.
4. Attach the fitting body to the ball valve and tighten it.
5. Slide the clasp nut of the probe toward the filter, as far as it will go.
6. Insert the probe to the fitting body, and manually tighten the clasp nut to the fitting body.
7. Open the ball valve.
8. Push the probe through the ball valve assembly into the process. If the pressure is high, use the pressing handle that is provided with the probe. If you push the probe hard without using the handle, you may damage the cable.

Note that the probe must be pushed so deep that the filter is completely inside the process flow.

9. Mark the fitting screw and the clasp nut.
10. Tighten the clasp nut with a fork spanner a further 50 ... 60° (ca. 1/6 turn). If you have a suitable torque spanner, tighten the nut to max 45 ± 5 Nm (33 ± 4 ft-lbs). Refer to Figure 29 on page 45.

NOTE

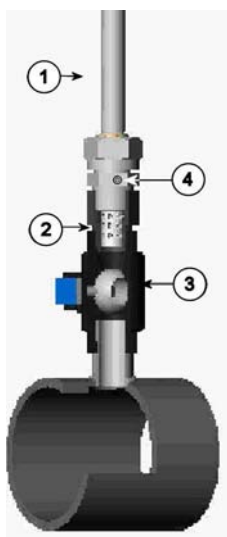
Take care not to tighten the clasp nut more than 60° to avoid difficulties when opening it.

If you wish to remove the probe from the process, note that you have to pull the probe out far enough. You cannot close the valve if the groove on the probe body is not visible.

Leak Screw Installation

When the probe cannot be installed directly in the pressurized process or process pipe, a leak screw installation can be used.

In this installation method, you must install the DMT348 probe using a fitting body with leak screw, see Figure 27 on page 44. A small sample flow from the process goes through the probe and via the leak screw out to atmospheric pressure enabling a fast response time although the probe is not installed in the process.



0503-036

Figure 31 Probe in Leak Screw Installation

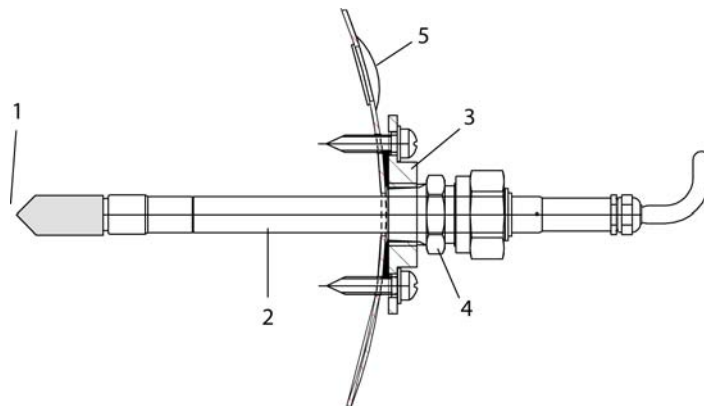
Numbers refer to Figure 31 above:

- 1 = Probe
- 2 = Filter
- 3 = Ball of the ball valve
- 4 = Leak screw

Mounting the Probe Directly to the Process

Select a point, which gives a true picture of the process. The transmitter can be installed directly in the process wall, especially if the pressure of the process is 1 bar (atmospheric processes).

It may be necessary to use the sampling cell if the process (for example a pipe) is too small for the DMT348 probe. Furthermore, if the process is very hot ($>80\text{ }^{\circ}\text{C}$) or particularly dirty, the probe is installed in a sampling cell behind a cooling coil and/or filter. In this case, the ambient temperature must be at least $10\text{ }^{\circ}\text{C}$ warmer than the process dewpoint in order to avoid condensation in the sample tubing.



0503-016

Figure 32 DM240FA with Probe

Numbers refer to Figure 32 above:

- 1 = measured gas
- 2 = probe
- 3 = DM240FA flange (thread G1/2" ISO)
- 4 = use R1/2" ISO fitting body for DMT348 probe with DM240FA flange
- 5 = recommended additional hole (plugged) for Td field check reference measurement probe (for example, Vaisala DM70)

If the probe is installed in process pipes where the water is likely to collect at the measurement point, take care to install the probe so that it will not be immersed in water.

When the probe is installed directly on the process wall or pipe, note that a closing valve may be needed on both sides of the installed probe so that the probe can be removed from the process for calibration or maintenance.

If the probe is installed in a pressurized chamber, always make sure that the pressure of the chamber is equalized with the ambient pressure prior to removing the probe. When the probe is pulled out for maintenance, cap the hole with a capped nut. This way, the process can be running although the probe is not in place. For ISO threaded connections, a plug (Vaisala order code 218773) is available.

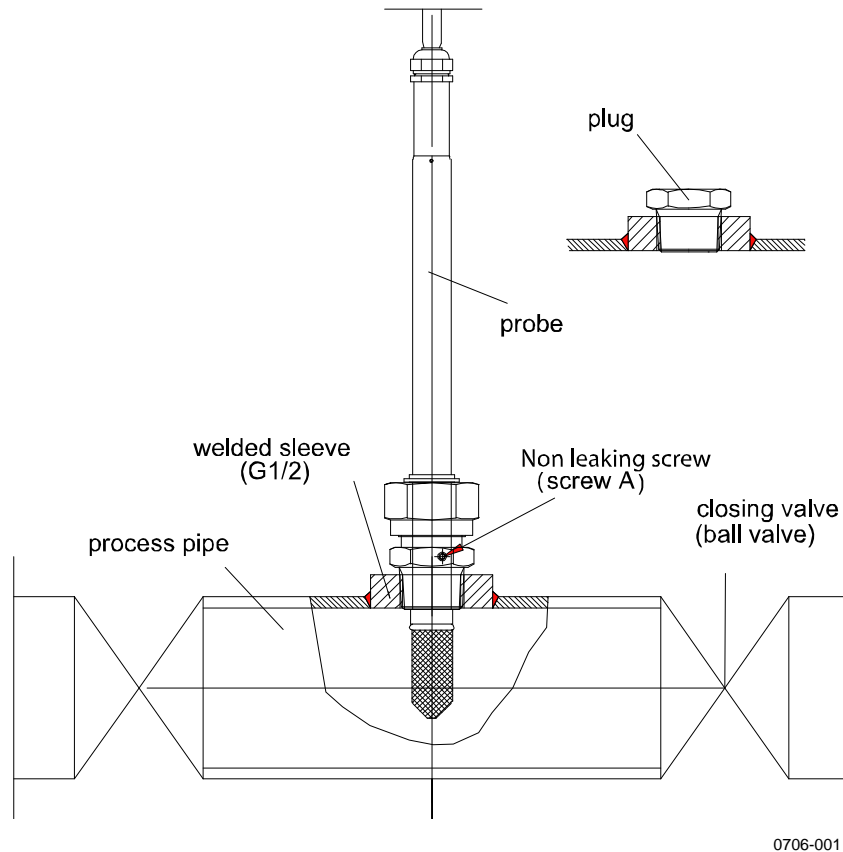
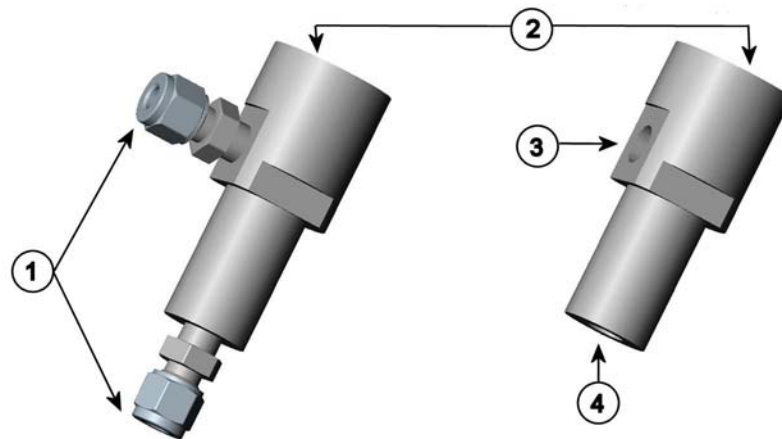


Figure 33 Example of Installing the Probe Directly on the Process Pipe

Sampling Cell for DMT348

It may be necessary to use a sampling cell if the process (for example a pipe) is too small for the DMT348 probe. Furthermore, if the process is very hot (>80 °C) or particularly dirty, the probe is installed in a sampling cell behind a cooling coil and/or filter. In this case, the ambient temperature must be at least 10 °C warmer than the process dewpoint in order to avoid condensation in the sample tubing.

Sampling Cell with Swagelok Connectors (Vaisala order code: DMT242SC2) and Sampling Cell with Female Connectors (Vaisala order code: DMT242SC) are available as an option.



0506-026

Figure 34 Sampling Cells DMT242SC2 and DMT242SC

Numbers refer to Figure 34 above:

- 1 = Male pipe weld connector Swagelok 1/4"
- 2 = G1/2"
- 3 = G1/4"
- 4 = G3/8"

An overpressure in the process is necessary to create a flow through the sampling cell. Note that the pressure of the sampling cell must not differ from that of the process because dewpoint temperature changes with pressure. In dirty processes, it may be necessary to use a filter between the cooling coil and the sampling cell. One more simple way of using the sampling cell with user provided accessories is shown in the figure below. The flow through the sampling cell is controlled with the needle valve and the pressure is kept equal to that of the process.

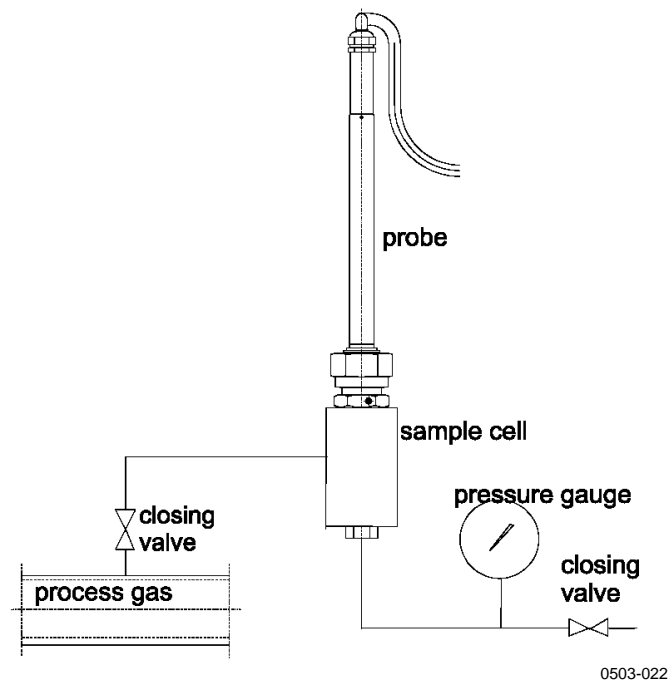
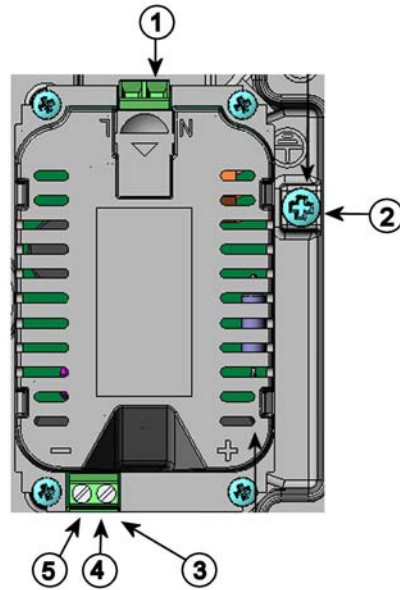


Figure 35 Installing the Probe in High Temperatures

Optional Modules

Power Supply Module

The mains power connection may be connected to the power supply module only by an authorized electrician. A readily accessible disconnect device shall be incorporated in the fixed wiring.



0506-027

Figure 36 Power Supply Module

Numbers refer to Figure 36 above:

- 1 = Connect AC mains voltage wires to these terminals
- 2 = Grounding terminal
- 3 = In case the module is not installed in the factory: Connect wires from these terminals to the **POWER 10 ... 35V 24V** terminals of the mother board.
- 4 = +
- 5 = -

Installation

1. Disconnect the power.
2. Remove the protective plug from the cable gland and thread the wires. In case the power supply module is installed in the factory, continue with the step 5.
3. To attach the module, open the transmitter cover and fasten the power module to the bottom of the housing with four screws. See the position on page 20.
4. Connect the wires from the terminals of the power supply module marked with + and - to the terminals **POWER 10 ... 35 V 24V** on the motherboard of the transmitter.
5. Connect the AC mains voltage wires to the power supply module terminals marked with **N** and **L**.
6. Attach the grounding wire to the grounding terminal on the right-hand side of the transmitter.
7. Connect the power. The LED on the cover of the transmitter is lit continuously during normal operation.

WARNING Do not detach the power supply module from the transmitter when the power is on.

WARNING Do not connect the mains power to power supply module when it is not installed in the transmitter.

WARNING Always connect protective ground terminal.

Warnings

Dieses Produkt entspricht der Niederspannungsrichtlinie (2006/95/EWG).

- Das Netzmodul darf nur von einem dazu befugten Elektriker angeschlossen werden.
- Trennen Sie das Netzmodul nicht vom Messwertgeber, wenn der Strom eingeschaltet ist.
- Verbinden Sie das Netzmodul nur mit der Spannungsquelle, wenn es im Messwertgeber DMT340 montiert ist.
- Das Erdungskabel muss zum Schutz immer angeschlossen sein.

Ce produit est conforme à la Directive relative à la Basse Tension (2006/95/EEC).

- Seul un électricien compétent est habilité à raccorder le module d'alimentation au secteur.
- Ne pas détacher le module d'alimentation du transmetteur lorsqu'il est en service.
- Ne pas raccorder le secteur au module d'alimentation lorsque celui-ci n'est pas installé dans le transmetteur DMT340.
- Toujours raccorder un bornier de protection à la terre.

Tämä tuote on pienjännitedirektiivin (2006/95/EEC) mukainen.

- Vaihtovirtaliitännän saa kytkeä tehonsyöttömoduuliin ainoastaan valtuutettu sähköasentaja
- Älä irrota tehonsyöttömoduulia lähettimestä, kun virta on kytkettynä.
- Älä kytke verkkovirtaa tehonsyöttömoduuliin, jos kyseistä moduulia ei ole asennettu DMT340 lähettimeen.
- Kytke aina maadoitusliittimet.

Denna produkt uppfyller kraven i direktivet om lågspänning (2006/95/EEC).

- Nätanslutningen (växelströmsanslutningen) får bara anslutas till strömförsörjningsmodulen av en behörig elektriker.
- Ta inte loss strömförsörjningsmodulen från mätaren när strömmen är på.
- Anslut inte strömförsörjningsmodulen till nätet när den inte är installerad i DMT340-mätaren
- Anslut alltid en skyddande jordningsplint.

Questo prodotto é conforme alla Direttiva sul basso voltaggio (2006/95/CEE).

- La conduttura elettrica può essere collegata al modulo di alimentazione elettrica soltanto da un elettricista autorizzato.
- Non staccare l'alimentazione elettrica dal trasmettitore quando é acceso.
- Non collegare la corrente elettrica al modulo di alimentazione elettrica se non é installato nel trasmettitore DMT340.
- Collegare sempre il morsetto protettivo a terra!

Dette produkt er i overensstemmelse med direktivet om lavspænding (2006/95/EØS).

- Netstrømskoblingen til må kun tilsluttes strømforsyningsmodulet af en autoriseret elinstallatør
- Strømforsyningsmodulet må ikke løsghøres fra senderen, mens spændingen er sluttet til.
- Slut ikke netspændingen til strømforsyningsmodulet, når det ikke er installeret i DMT340-senderen
- Forbind altid den beskyttende jordklemme!

Dit product voldoet aan de eisen van de richtlijn 2006/95/EEG (Laagspanningsrichtlijn).

- De stroom kan aan de stroomtoevoer module aangesloten worden alleen door een bevoegde monteur.

- Het is niet toegestaan de stroomtoevoer module van de transmitter los te koppelen wanneer de stroom aan is.
- Het is niet toegestaan de stroom aan de stroomtoevoer module aan te sluiten als deze niet in een DMT340-transmitter is gemonteerd.
- Altijd beschermend aardcontact aansluiten!

Este producto cumple con la directiva de bajo voltaje (2006/95/EEC).

- La conexión de la alimentación principal al módulo de alimentación sólo puede realizarla un electricista autorizado.
- No desenchufe el módulo de alimentación del transmisor cuando esté encendido.
- No conecte la alimentación principal al módulo de alimentación cuando no esté instalado en el transmisor DMT340.
- Conecte siempre el terminal de protección de conexión a tierra.

See toode vastab madalpinge direktiivile (2006/95/EEC).

- Voolukaabli võib vooluallika mooduli külge ühendada ainult volitatud elektrik.
- Ärge ühendage vooluallika moodulit saatja küljest lahti, kui vool on sisse lülitatud.
- Ärge ühendage voolukaablit vooluallika mooduli külge, kui seda pole DMT340-tüüpi saatjasse paigaldatud.
- Ühendage alati kaitsev maandusklemm!

Ez a termék megfelel a Kisfeszültségű villamos termékek irányelvnek (2006/95/EGK).

- A hálózati feszültséget csak feljogosított elektrotechnikus csatlakoztathatja a tápegységmodulra.
- A bekapcsolt távadóról ne csatolja le a tápegységmodult.
- Ne csatlakoztassa a hálózati feszültséget a tápegységmodulhoz, ha az nincs beépítve a DMT340 távadóba.
- Feltétlenül csatlakoztasson földelő védőkapcsot!

Šis produktas atitinka direktyvą dėl žemos įtampos prietaisų (2006/95/EB).

- Elektros tinklą su energijos tiekimo modulių sujungti gali tik įgaliotas elektrikas.
- Niekada neišimkite energijos tiekimo modulio iš siūstuvo, kai maitinimas yra įjungtas.
- Jei energijos tiekimo modulis nėra įmontuotas DMT340 siūstuve, nejunkite jo į elektros tinklą.
- Visada prijunkite prie apsauginės įžeminimo jungties!

Šis produkts atbilst Zemsprieguma direktīvai (2006/95/EEC).

- Strāvas pieslēgumu var pieslēgt pie barošanas avota moduļa tikai autorizēts elektriķis.
- Neatvienot barošanas avota moduli no raidītāja, kad pieslēgta strāva.
- Nepievienot strāvu barošanas avota modulim, ja tas nav uzstādēts DMT340 raidītājā
- Vienmēr pievienot aizsargājošu iezemētu terminālu !

Ten produkt spełnia wymogi Dyrektywy niskonapięciowej (2006/95/EEC).

- Napięcie zasilające powinno zostać podłączone do modułu zasilacza tylko przez wykwalifikowanego elektryka.
- Nie wolno odłączać modułu zasilacza od nadajnika, kiedy zasilanie jest włączone.
- Nie wolno podłączać napięcia zasilającego do modułu zasilacza, kiedy nie jest on zamontowany w nadajniku DMT340.
- Zawsze należy podłączać zabezpieczający zacisk uziemiający!

Tento výrobek vyhovuje Směrnici pro nízké napětí (2006/95/EEC).

- Připojení síťového napájení k napájecímu modulu smí provádět pouze oprávněný elektrikář.
- Neodpojujte napájecí modul od snímače při zapnutém napájení.
- Nepřipojujte síťové napájení k napájecímu modulu, pokud není instalován ve snímači DMT340.
 - Vždy zapojte ochrannou zemnicí svorku!

Galvanic Isolation for Output

If galvanic isolation of the power supply line from the output signals is needed, DMT340 can be ordered with optional output isolation module. This module prevents harmful grounding loops.

Installation

NOTE

Output isolation module is not needed when using the power supply module.

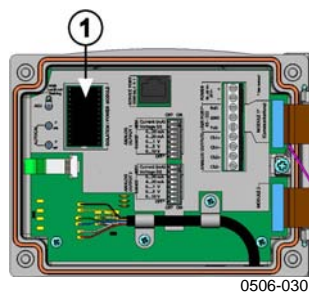


Figure 37 Galvanic Output Isolation Module

Number refers to Figure 37 above:

1 = Output isolation module

Third Analog Output

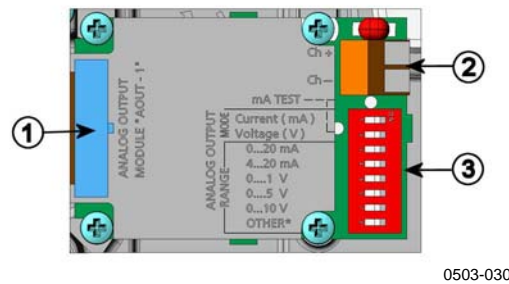


Figure 38 Third Analog Output

Numbers refer to Figure 38 above

- 1 = Flat cable pins
- 2 = Screw terminals for signal line
- 3 = Dip switches to select the output mode and range

Installation and Wiring

1. Disconnect the power. In case the analog output module is installed in the factory, continue with the step 4.
2. To attach the module, open the transmitter cover and fasten the analog output module to the position for MODULE 2 with four screws. Refer to Figure 2 on page 22.
3. Connect the flat cable between the analog output module and the motherboard's connector for MODULE 2.
4. Take out the protective plug from the cable gland and thread the wires.
5. Connect the wires to the screw terminals marked with **Ch+** and **Ch-**.
6. Select the current/voltage output by setting ON either of the switches 1 or 2.
7. Select the range by setting ON one of the switches 3 ... 7.

NOTE

Only one of the switches 1 and 2 can be ON at a time.

Only one of the switches 3 ... 7 can be ON at a time.

		OFF	ON	Selection
Channel 3	1			Current output selection, ON=Current output selected
	2			Voltage output selection, ON=Voltage output selected
	3			0...20 mA selection, ON= 0...20 mA selected
	4			4... 20 mA selection, ON= 4... 20 mA selected
	5			0...1 V selection, ON=0...1 V selected
	6			0...5 V selection, ON=0...5 V selected
	7			0...10 V selection, ON= 0...10 V selected.
	8			For service use only, keep always in OFF position.

0508-029

Figure 39 Third analog output selection

8. Connect the power.
9. Select the quantity and scale the channel via the serial line or display/keypad, see section Analog Output Quantities on page 116. For testing the analog output, see section Analog Output Tests on page 118. For fault indication setting, see section Analog Output Fault Indication Setting on page 119.

Alarm Relays

DMT340 can be equipped with one or two configurable relay modules. Each module contains two configurable relays. See the contact ratings in section Technical Specifications of Optional Modules on page 156.

Installation and Wiring

1. Disconnect the power. In case the relay-module is installed in the factory, continue with the step 5.
2. To attach the module, open the transmitter cover and fasten the relay module to the bottom of the housing with four screws. See the position in Figure 2 on page 22.
3. When the mains power is in use attach the grounding wire to the grounding terminal.
4. Connect the flat cable between the relay module and the motherboard's pins **MODULE 2** or **MODULE 1**.
5. Take out the protective plug from the cable gland and thread the relay wires.
6. Connect the wires to the screw terminals: NO, C, NC.

CAUTION

For installations in the USA: If your transmitter has both the relay module and a LAN or WLAN module, the maximum voltage you are allowed to connect to the relay module is 50 V.

Selecting the Activation State of the Relay

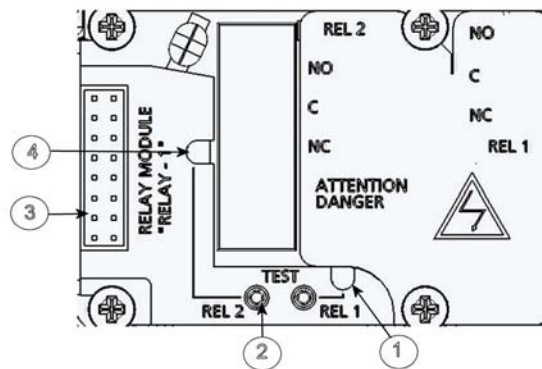
The middlemost C terminal and either one of the terminals NO/NC shall be connected. The polarity can be freely selected.

NO	Normally open
C	Common relay
NC	Normally closed

Relay NOT activated: C and NC outputs are closed, NO is open

Relay IS activated: C and NO outputs are closed, NC is open.

Connect the power and close the cover. For instructions on how to operate the relay (for example, select quantity for the relay output and set the relay setpoints) see section Operation of Relays on page 120.



0503-037

Figure 40 Relay Module

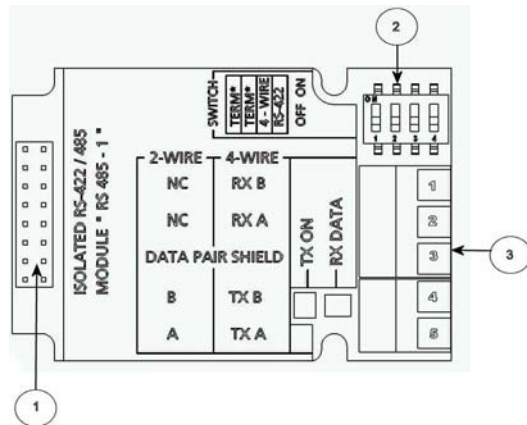
Numbers refer to Figure 40 above:

- 1 = Indication led for the relay 1 or 3
- 2 = Relay test buttons
- 3 = Flat cable pins
- 4 = Indication led for relay 2 or 4

WARNING The relay module may contain dangerous voltages even if the transmitter power has been disconnected. Before working on the relay module you must switch off **both** the transmitter **and** the voltage connected to the relay terminals.

WARNING Do not connect the mains power to relay unit without grounding the transmitter.

RS-422/485 Interface



0503-029

Figure 41 RS-485-Module

Numbers refer to Figure 41 above:

- 1 = Flat cable pins
- 2 = Selection switches
- 3 = Screw terminals for wiring

NOTE

The markings on the module and in this manual are according to the line driver manufacturers' application notes, where A is positive against B when measured with a voltmeter.

When connecting the module, be prepared to swap the A and B wires if you have a communication problem.

Installation and Wiring

1. Disconnect the power. In case the RS-485-module is installed in the factory, continue with the item 4.
2. To attach the module, open the transmitter cover and fasten the RS-485 module to the bottom of the housing with four screws.
3. Connect the flat cable between the RS-485 module and the motherboard's pins **MODULE1 (Communications)**.
4. Pull the network wirings through the cable gland.
5. Connect the twisted pair wires (1 or 2 pairs) to the screw terminals as presented in Table 6:

Table 6 Connecting the Twisted Pair Wires to the Screw Terminals

Screw terminal	Data line (2-wire RS-485)	Data line (4-wire RS-485/422)
1	(not connected)	RxB
2	(not connected)	RxA
3	Data pair shield	Data pair shield
4	B	TxB
5	A	TxA

6. If you use RS-485 (or RS-422) to connect just one DMT340 to a master computer, enable the internal termination of DMT340 by switching switches 1 and 2 ON. Make sure that the master's end of the line is also terminated (by using master's internal termination or with a separate terminator).

If you are connecting many transmitters to the same RS-485 bus, make sure that switches 1 and 2 are OFF and terminate the bus with separate terminators at both ends. This allows removing any transmitter without blocking the bus operation.

NOTE

If you use the internal termination of the transmitter at the end of the RS-485 bus (instead of using separate terminators) removing that transmitter will block the bus operation.

7. Use the bus type (4-wire/2-wire) to select the selection switch 3. In 4-wire mode RS-485 master sends data to the DMT340 through terminals RxA and RxB and receives data from DMT340 through terminals TxA and TxB.

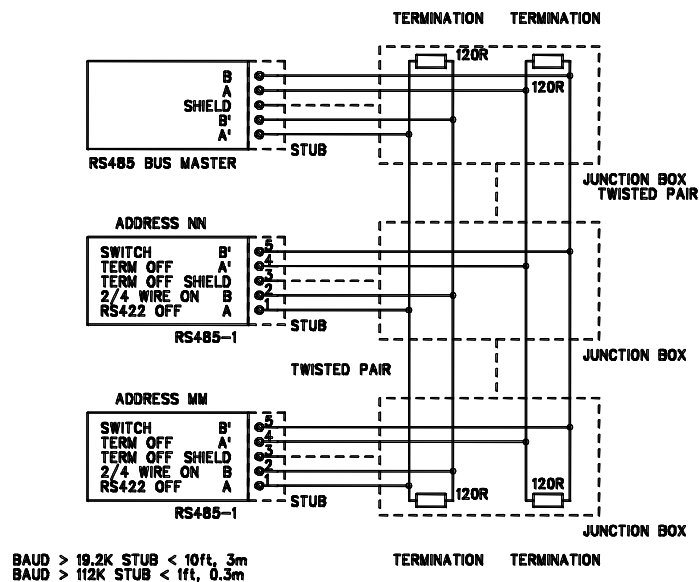
**Figure 42** 4-Wire RS-485 Bus

Table 7 4-Wire (Switch 3:On)

RS-485 master	Data	DMT340
TxA	→	RxA
TxB	→	RxB
RxA	←	TxA
RxB	←	TxB

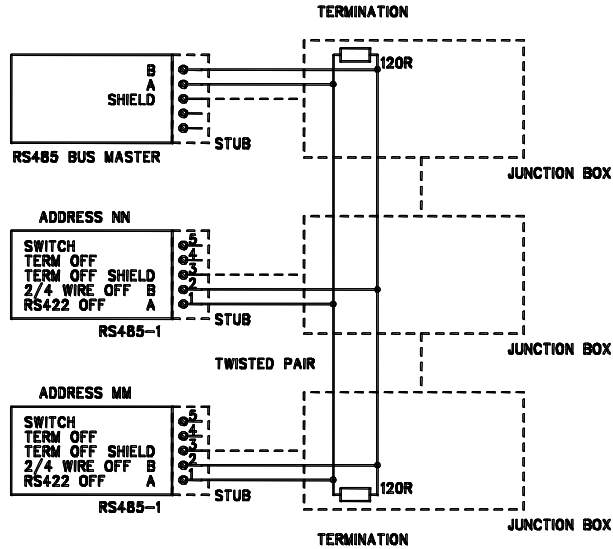


Table 8 2-Wire (Switch 3:Off)

RS-485 master	Data	DMT340
A	↔	A
B	↔	B

8. When operating in communication mode RS-422, set both switches 3 and 4 to ON position (4-wire wiring is required for RS-422 mode).
9. Connect the power and close the cover.

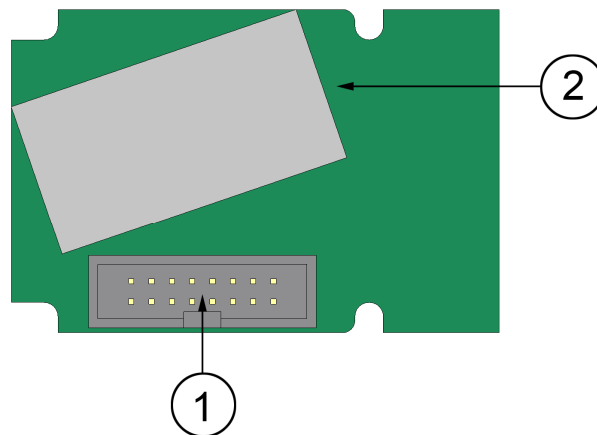
LAN Interface

The optional LAN interface enables an Ethernet connection to the transmitter. The user can establish a virtual terminal session using a telnet client program such as PuTTY. When the LAN Interface is in use, serial communication using the User Port is disabled.

The LAN interface module must be installed at the factory (when ordering the transmitter), or by a Vaisala Service Center. Once installed, the module is automatically used by the transmitter. The physical connection to the network is made to the RJ45 connector on the LAN interface module, using a standard twisted pair Ethernet cable (10/100Base-T). Transmitters with the optional LAN interface are delivered pre-installed with a suitable cable and cable gland.

The LAN interface can use both static and dynamic network settings. If the interface is configured to use dynamic settings, the network where the LAN interface is connected must have a DHCP server that provides the settings.

The network configuration can be done using the optional display and keypad, or by using the service port. For instructions, see section LAN Communication on page 84. The LAN interface also provides a web configuration interface, which you can access by entering the IP address of the LAN interface in the address field of a web browser. For instructions on how to verify the current settings and status of the LAN interface, see section Device Information on page 107.



0709-003

Figure 43 LAN Interface Module

The following numbers refer to Figure 43 above:

- 1 = Flat cable connector
- 2 = RJ45 connector with indicator LEDs for link and activity

WLAN Interface

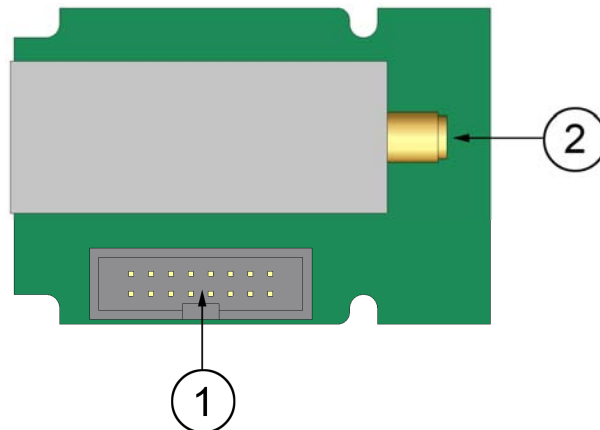
The optional WLAN interface enables a wireless Ethernet connection (IEEE 802.11b) to the transmitter. The user can establish a virtual terminal session using a telnet client program such as PuTTY. The interface supports Wired Equivalent Privacy (WEP) and Wi-Fi Protected Access (WPA). For WEP, 64 and 128 bit encryption is supported, with open system or shared key authentication. WPA is used in the Pre-Shared Key (PSK) mode, with either TKIP or CCMP protocol.

When the WLAN Interface is in use, serial communication using the User Port is disabled.

Similarly to the LAN Interface, the WLAN interface can use both static and dynamic network settings. If the interface is configured to use

dynamic settings, the network where the WLAN interface is connected must have a DHCP server that provides the settings.

The WLAN interface also provides a web configuration interface, which you can access by entering the IP address of the WLAN interface in the address field of a web browser.



0802-103

Figure 44 WLAN Interface Module

The following numbers refer to Figure 44 above:

- 1 = Flat cable connector
- 2 = Connector for antenna cable (connected to transmitter cover)

Attaching the WLAN Antenna

The LAN interface module must be installed at the factory (when ordering the transmitter), or by a Vaisala Service Center. Before taking the transmitter into use, the user must attach the antenna of the WLAN interface into the RP-SMA connector on the transmitter cover. The location of the antenna is shown in Figure 85 on page 161.

Data Logger Module

The optional data logger module extends the data storage for the measurement data. When the data logger is present, this storage is automatically used by the transmitter. The stored data can be browsed using the optional display module, and accessed through the serial connections. See sections Graphic History on page 72 and Data Recording on page 111.

The data logger module contains non-volatile flash memory providing 4 years 5 months of storage for 3 parameters at a 10 second sampling interval. When the memory is full, the data recording will not stop. Instead, the oldest data is overwritten. For each parameter and

observation period, the module stores the minimum and maximum values during the interval, as well a data trend value that is averaged from samples taken during the interval (see Table 9 on page 67).

Table 9 Observartion Periods and Resolution

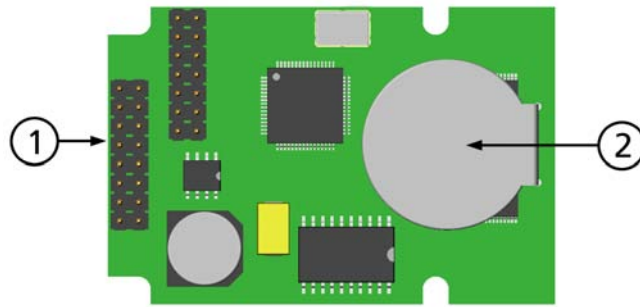
Observation Period	Period for Trend/Max/Min Calculations (Resolution)
3 hours	90 seconds
1 day	12 minutes
10 days	2 hours
2 months	12 hours
1 year	3 days
4 years	12 days

The quantities that are logged are the same that have been selected for measurement using the display/keypad or the serial line. When taking the transmitter into use, verify that the desired quantities are selected. If you change the quantities later, the transmitter will start logging the new quantities, and stop logging the quantities that are no longer selected. Changing the quantities does not delete any measurement data that is already in memory.

The data logger module has a real time clock with a battery back-up. The clock has been set to the Coordinated Universal Time (UTC) at the factory, and its time cannot be set by the user. The data that is stored in the logger's memory is timestamped using the logger's clock.

When date and time are set on the transmitter, they are stored to the transmitter's memory as an offset from the time on the logger's clock. When browsing the stored data, the time offset is applied to the timestamps shown in the graphical history, and data outputted from the serial port. The timestamps in the data logger's memory remain as they were originally stored.

You can compensate for the clock drift (less than ± 2 min/year) by setting the time on the transmitter. This updates the time offset used on the display and the serial port. You can set the time by using the keypad/display or the serial commands.



0706-068

Figure 45 Data Logger Module

The following numbers refer to Figure 45 above:

- 1 = Flat cable pins
- 2 = Battery

After a reset or a power up, it will usually take at least 10 seconds before the data logger module is initialized. The real time clock and the data logging and reading functions are not available before the initialization is complete.

The indicator LED on the module will blink green during normal operation. If the LED is lit in red color, there is a problem with the module. The transmitter will also indicate the problem by activating the "Add-on module connection failure" error. If the module is not operating correctly, the transmitter must be sent to Vaisala for maintenance.

The data logger module must be installed at the factory (when ordering the transmitter), or by a Vaisala Service Center. Once installed, the module is automatically used by the transmitter. When the module requires a new battery, the transmitter must be sent to Vaisala for maintenance.

8-pin Connector

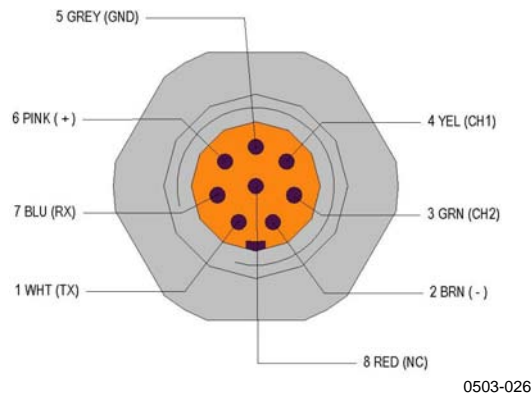


Figure 46 Wiring of the Optional 8-pin Connector

Table 10 Wiring of the 8-pin connector

PIN/Terminal	Wire	Serial Signal		Analog Signal
		RS-232 (EIA-232)	RS-485 (EIA-485)	
1	White	Data out TX	A	-
2	Brown	(serial GND)	(serial GND)	Signal GND (for both channels)
3	Green	-	-	Ch 2+
4	Yellow	-	-	Ch 1 +
5	Grey	Supply -	Supply -	Supply -
6	Pink	Supply +	Supply +	Supply +
7	Blue	Data in RX	B	-
8	Shield/Red	Cable shield	Cable shield	Cable shield


This page intentionally left blank.

CHAPTER 4

OPERATION

This chapter contains information that is needed to operate this product.

Getting Started

Within a few seconds after power-up the LED on the cover of the transmitter is lit continuously indicating normal operation. When the transmitter is turned on the first time, the language selection window opens: Select the language with ▼▲ arrow buttons and press the **SELECT** button (the left-hand  button).

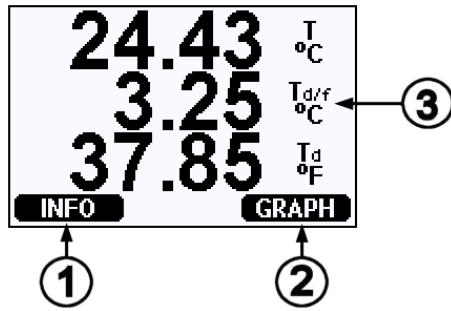
The pressure has an effect on humidity calculations and accuracy. Therefore, accurate calculations can be achieved only when the ambient pressure is taken into consideration. See page 101 for instructions on how to set the pressure.

Start-up time for DMT340 transmitter is in total about 6 minutes. The outputs (serial and analog) are activated 3 seconds after powering up the DMT340. In addition, 10 seconds after the measurement the outputs will freeze for about 6 minutes due to the sensor self diagnostics procedure (Sensor Purge and Autocal). The frozen output value will be the value the DMT340 transmitter reached during the 10 seconds of measurement. After the self diagnostics procedure the outputs are operational again.

Display/Keypad

Basic Display

Display shows you the measurement values of the selected quantities in the selected units. You can select 1... 3 quantities for the numerical basic display (see section Changing the Quantities and Units on page 98).



0706-009

Figure 47 Basic Display

The numbers refer to Figure 47 above:

- 1 = The Info shortcut button
- 2 = The Graph shortcut button changes the display into a curve mode
- 3 = Selected quantities

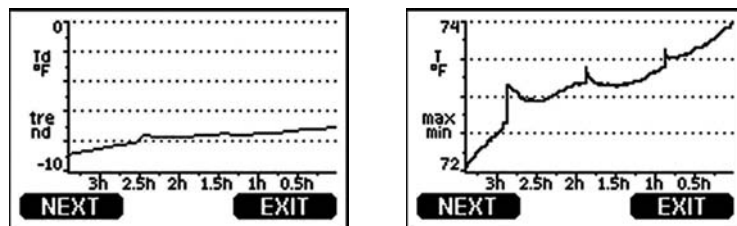
Press the **INFO** button (in the basic display) to see the device information views, see section Device Information on page 107.

NOTE

From any view, in the absence of an **EXIT** button, a four-second press on the right-hand function button takes you directly to the basic display.

Graphic History

The graphical display shows the data trend or min/max graph of the selected quantities, one at a time. The graph is updated automatically while measuring.



0706-01

Figure 48 Graphical Display

Trend graph: Shows you a curve of average values. Each value is a calculated average over a period. See Table 11.

Max/min graph: Shows you the minimum and maximum values in a form of curve. Each value is max/min over a time period. See Table 11 below. The period for the trend and max/min calculations depends on the selected graph window as follows:

Table 11 Periods for Trend and Max/Min Calculations

Observation Period	Period for Trend/Max/Min Calculations (Resolution)
3 hours	1,5 minutes
1 day	12 minutes
10 days	2 hours
2 months	12 hours
1 year	3 days
4 year*	12 days

* Shows the maximum logging period of the data logger module (available when data logger module is installed)

Use the following functions in the graphical display:

- Press the **NEXT** button to change between the trend graph and max/min graph for the quantities selected for display.
- Press the **EXIT** button to return to the basic display.
- Press the ▼ ▲ arrow buttons to zoom in and out in the graph window.
- Press the ◀ ▶ arrow buttons move the cursor (vertical bar) along the time axis. The cursor mode allows you to observe individual measuring points. The numerical value at the cursor position is shown at the left upper corner. The right upper corner shows the time from the present to the chosen moment (without the logger module), or the date and time at the cursor position (when the logger module is installed).
- If the optional data logger module is installed, you can scroll the cursor off the screen to move to a new point on the time axis. The new date will be displayed, and the cursor will be centered at the date where the cursor scrolled off the screen.

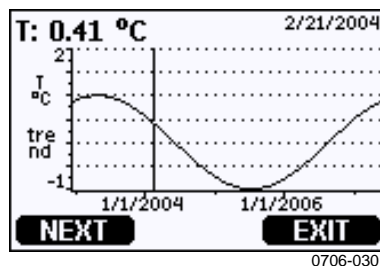


Figure 49 Graphical Display with Data Logger

The time that is shown below the graph is adjusted with the current time offset of the transmitter. If you change the transmitter's date and time setting, the displayed timestamps in the history graph change accordingly. For an explanation of the effect of changing the date and time manually, see section Data Logger Module on page 66.

Table 12 Graph Information Messages

Failure Message	Interpretation
Power outage	Power failure (marked also with dashed vertical line)
No data	Quantity has not been selected for the display
Device failure	General device failure.
T meas. failure	Temperature measurement/sensor failure
RH meas. failure	Humidity measurement/sensor failure
Adj. mode active	Adjustment mode active (data recorded in the adjustment mode is not displayed)
Autocal	Autocal performed (only shown in 3 h graphs)

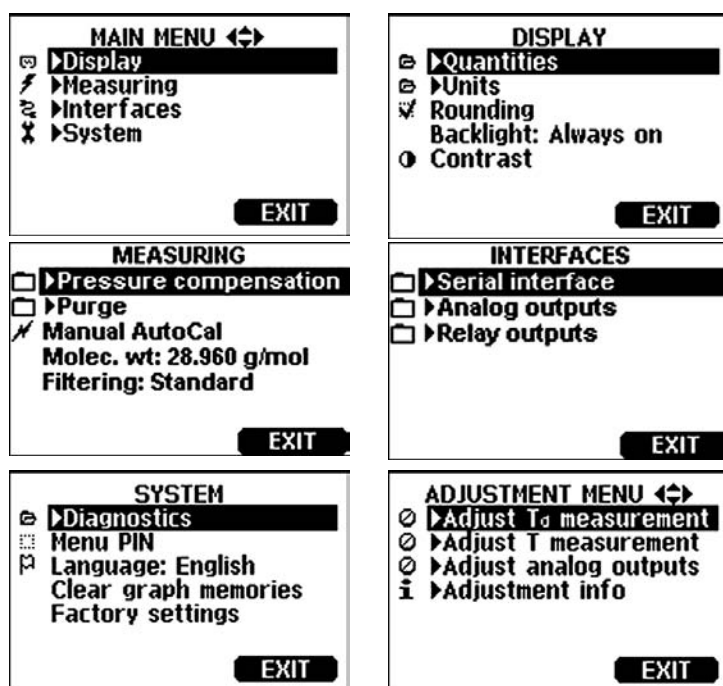
A question mark after time tells you that at least one power failure (dashed vertical line) has occurred after the chosen moment. In this case, the actual time difference between the present and the cursor position is not exactly known.

Menus and Navigation

You can change settings and select functions in the menus.

1. Open the **MAIN MENU** by pressing any of the ▲ ▼ ◀ ▶ arrow buttons in the basic (numeric) display mode.
2. Move in the menus by using the ▲ ▼ arrow buttons.
3. Open a submenu with ▶ button.
4. Press ◀ to return to the previous level.
5. Function button **EXIT** returns you back to the basic display.

Adjustment menu is displayed only when **ADJ** button (on the motherboard inside the transmitter) is pressed.

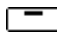


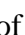











0706-011

Figure 50 Main Views

Some menu items, such as **Relay outputs** in the **Interfaces** menu, are only shown if supported by the transmitter and the installed options.

Changing the Language

1. Go back to the basic display by keeping the right-hand  button pressed for four seconds.
2. Open the **Main menu** by pressing any of the     buttons.
3. Scroll to the **System** menu option, and press the  button. The menu option is indicated with the wrench  symbol.
4. Scroll to the **Language** menu option, and the left-hand  button. The menu option is indicated with the flag  symbol.
5. Select the language with the   buttons, and confirm the selection by pressing the left-hand  button.
6. Press the right-hand  button to exit to the basic display.

Rounding Setting

Round off one decimal by using the Rounding function . The default setting is rounding on. Rounding has no effect on quantities without decimals.

1. Open the **MAIN MENU** by pressing any of the ▲ ▼ ◀ ▶ arrow buttons.
2. Select ► **Display** and confirm by pressing the ► arrow button.
3. Select **Rounding** and press **ON/OFF** button.
4. Press **EXIT** to return to the basic display.

Display Backlight Setting

As a default the display backlight is always on. In the automatic mode the backlight stays on for 30 seconds from the last press of the button. When pressing any button, the light turns on again.

1. Open the **MAIN MENU** by pressing any of the ▲ ▼ ◀ ▶ arrow buttons
2. Select ► **Display**, press the ► arrow button.
3. Select **Backlight**, press the **CHANGE** button.
4. Select **On/Off/ Automatic**, press the **SELECT** button.
5. Press **EXIT** to return to the basic display.

Display Contrast Setting

1. Open the **MAIN MENU** by pressing any of the ▲ ▼ ◀ ▶ arrow buttons.
2. Select ► **Display**, press the ► arrow button.
3. Select **Contrast**, press the **ADJUST** button.
4. Adjust the contrast by pressing the ◀ ▶ arrow buttons.
5. Press **OK** and **EXIT** to return to the basic display.

Keypad Lock (Keyguard)

This function locks the keypad and prevents unintentional key presses.

1. Keep pressing the left-hand function button for 4 seconds to lock the keypad (at any display).
2. To unlock the keypad, press the **OPEN** button for 4 seconds.

Menu PIN Lock

You can prevent unauthorized changes of the device settings by activating the menu PIN lock. When this function is activated, the basic display and graphical view are available but access to the menus is locked. The key symbol indicates the activation of this feature.

1. Open the **MAIN MENU** by pressing any of the ▲ ▼ ◀ ▶ arrow buttons.
2. Select **System**, press the ► arrow button.
3. Select **Menu PIN**, press the **ON** button.
4. Enter a PIN code by using the ▲ ▼ arrow buttons. Press **OK** to confirm the setting. Now the PIN lock is on and a key symbol is shown in a display.
5. Press **EXIT** to return to the basic display. Returning to the menu is possible only by entering the correct PIN code.

When you want to turn off the PIN lock, go to the menu by giving the PIN code and select **System, Menu PIN**, press **OFF** button.

In case you have forgotten the PIN code, open the transmitter cover and press the **ADJ** button once. Wait for a few seconds and the adjustment menu opens. Select **Clear menu PIN**, press **CLEAR**.

NOTE

You can also disable the keypad completely with serial command **LOCK**.

Factory Settings

Use the display/keypad to restore the factory settings. This operation does not affect the adjustments. Only settings available in the menus are restored.

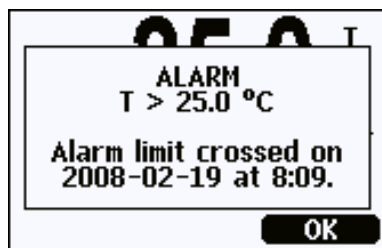
1. Press any of the arrow buttons to open the **MAIN MENU**.
2. Select **System** by pressing the ► arrow button.
3. Select **Factory settings** and press the **REVERT** button to confirm your selection. Press the **YES** button to reset all settings to the factory defaults.

See section General Settings on page 98 for a description of the other menu options.

Display Alarms

The Display Alarm feature provides two independently configurable alarms for transmitters with the display/keypad option. Each alarm tracks a selected quantity, with a freely configurable low and high limit. Each alarm also has a configurable hysteresis value to prevent unnecessary triggering when the measurement fluctuates around an alarm limit. The alarms can be configured for any quantity supported by the transmitter. The configuration of the Display Alarms can only be done using the display/keypad option.

An alarm is activated when the selected quantity goes higher than the high limit, or lower than the low limit, much in the same way as the relays. When an alarm is activated, an alarm note is displayed on the display, and the lights of the display will blink.



0802-041

Figure 51 Display Alarm Active

Multiple alarms can be active at the same time; the alarm that was triggered first will be shown on the display. The next active alarm is revealed when the currently shown alarm is acknowledged by pressing the **OK** button.

Note that activated alarms are only shown on the screen. There are no alarm messages output to the serial line, or markers placed in the graph data. After an alarm has been acknowledged, you must refer to the data graphs to see when the measured quantities have exceeded the limits.

Configuring a Display Alarm

1. Enter the **Main Menu** by pressing an arrow key on the keypad.
2. Use the arrow keys to select **Display**, followed by **Alarms**, to open the **Display Alarms** menu. The Display Alarms menu shows the currently enabled and disabled alarms.



0802-069

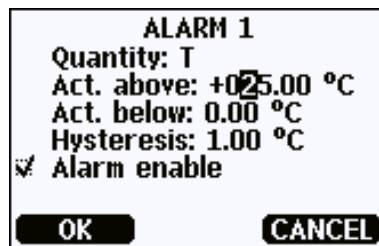
Figure 52 Display Alarms

3. Use the arrow keys to select an alarm to configure. The alarm editing page opens.

NOTE

Changes you do on the alarm editing page will take effect immediately, and may cause an alarm to appear on the screen.

4. To select a quantity for the alarm, press the **Change** button and select the quantity from the list.
5. To modify or remove the alarm limit values, move the selection over the **Act. above** or **Act. below** field and press the **Set** button. You will be prompted to **Modify** or **Remove** the value.



0802-070

Figure 53 Modifying an Alarm Limit

When modifying the value, use the arrow up and down buttons to change the value under the cursor. Left and right arrow buttons move the cursor. Select the OK button to accept the modified value, or Cancel to undo the modification.

6. Set a suitable **Hysteresis** value to prevent the alarm from being triggered unnecessarily by small measurement changes that pass the alarm limit repeatedly.
7. Set or clear the **Alarm enable** checkbox to enable or disable the alarm.
8. Press the **Exit** button to leave the alarm configuration screen and return to the basic view.

MI70 Link Program for Data Handling

The real-time window function of the MI70 Link program allows you to monitor transmitter readings directly with a PC when transmitter is connected with a serial or USB cable. You can also transfer recorded data from the main transmitter memory in numeric or graphical format, for further use in a spreadsheet program (such as Microsoft Excel) or virtually any other application.

Follow the steps below to connect your transmitter to the MI70 Link program using the serial interface:

1. Connect your PC to the transmitter. Refer to section Serial Line Communication on page 80.
2. Check that the DMT340 is powered.
3. Start the MI70 Link program.
4. Start using the program. There is usually no need to select a COM port manually, the MI70 Link software can detect it automatically.

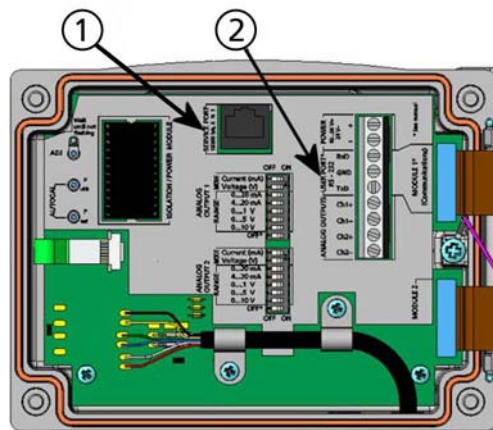
The MI70 Link program, and the optional connection cables, are available from Vaisala. See list of accessories in section Options and Accessories on page 158.

Serial Line Communication

Connect the serial interface by using either the user port or the service port.

For permanent interfacing to host system, use the user port. You can change the serial settings and operate in RUN, STOP and POLL modes.

For temporary connections use the service port. Service port is always available with fixed serial settings.



0605-039

Figure 54 Service Port Connector and User Port Terminal on the Mother Board

Numbers refer to Figure 54 above:

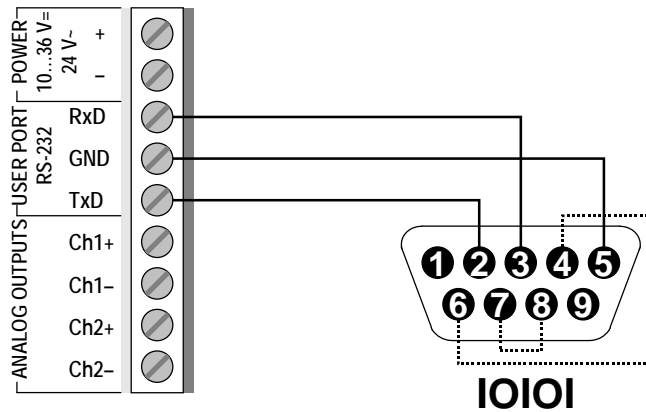
- 1 = Service port connector
- 2 = User Port Terminals

User Port Connection

Use suitable serial cable between the user port RxD, GND and TxD screw terminals and the PC serial port.

Table 13 Default Serial Communication Settings for the User Port

Parameter	Value
Bauds	4800
Parity	Even
Data bits	7
Stop bits	1
Flow control	None



0506-033

Figure 55 Connection Example Between PC Serial Port and User Port

Connections to pins 4,6,7 and 8 are required only if your software requires hardware handshaking.

NOTE

User port cannot be used when the RS-485 module is connected.

Service Port Connection

Connection Cables

To connect to the service port, you need a suitable cable with an RJ45 connector. Depending on the connections of your PC, you can either use the Serial Connection Cable (optional accessory 19446ZZ) or the USB-RJ45 Serial Connection Cable (optional accessory 219685). The USB cable enables you to connect the transmitter to a PC via a standard type A USB port. Note that the USB cable does not enable high speed data transfer, since the bit rate is limited by the serial interface of the service port.

Installing the Driver for the USB Cable

Before taking the USB cable into use, you must install the provided USB driver on your PC. When installing the driver, you must acknowledge any security prompts that may appear. The driver is compatible with Windows[®] 2000, Windows[®] XP, Windows Server[®] 2003, and Windows[®] Vista.

1. Check that the USB cable is not connected. Disconnect the cable if you have already connected it.

2. Insert the media that came with the cable, or download the driver from www.vaisala.com.
3. Execute the USB driver installation program (setup.exe), and accept the installation defaults. The installation of the driver may take several minutes.
4. After the driver has been installed, connect the USB cable to a USB port on your PC. Windows will detect the new device, and use the driver automatically.
5. The installation has reserved a COM port for the cable. Verify the port number, and the status of the cable, using the **Vaisala USB Instrument Finder** program that has been installed in the Windows Start menu.

Windows will recognize each individual cable as a different device, and reserve a new COM port. Remember to use the correct port in the settings of your terminal program. If you are using the Vaisala MI70 Link application, you do not need to check the COM port, as the MI70 Link detects the USB connection automatically.

There is no reason to uninstall the driver for normal use. However, if you wish to remove the driver files and all Vaisala USB cable devices, you can do so by uninstalling the entry for **Vaisala USB Instrument Driver** from the **Add or Remove Programs (Programs and Features)** in Windows Vista) in the Windows Control Panel.

Using the Service Port

1. Unfasten the screws on the transmitter cover, and open the transmitter.
2. Connect the desired cable (serial interface cable or USB cable) to your PC and the service port connector on the transmitter. For location of the service port, refer to Figure 54 on page 81.
3. Open a terminal program and set the communication settings as follows:

Table 14 **Communication Settings for the Service Port**

Parameter	Value
Bauds	19200
Parity	None
Data bits	8
Stop bits	1
Flow control	None

For a detailed explanation of using a terminal program, see section Terminal Program Settings on page 91.

4. Power-up the DMT340.

LAN Communication

To enable LAN communication, a LAN or WLAN interface must be physically connected to the network, and the networking settings must be suitable for your network. For a description of interfaces, see sections LAN Interface on page 64 and WLAN Interface on page 65.

The LAN and WLAN interfaces both operate by accessing the serial interface (User Port) of the transmitter. All commands that are available using the serial interface are available through the LAN and WLAN interfaces; refer to section List of Serial Commands on page 94. For instructions on how to connect using a terminal program, see section Terminal Program Settings on page 91.

IP Configuration

The IP settings of the LAN and WLAN interfaces are described in Table 15. The current settings can be viewed on the serial line or using the device information display; see section Device Information on page 107.

Table 15 IP Settings for the LAN and WLAN Interfaces

Parameter	Description
Automatic configuration (DHCP)	If enabled, the transmitter will retrieve its network settings (including the IP Address) from a server in the network. If disabled, static network settings are used instead.
Web configuration	If enabled, the settings of the interface can be changed using a web browser. The configuration page can be accessed by browsing to the IP address of the transmitter.
IP Address	The four part network ID of the transmitter. Must be set manually if automatic configuration is not used. Example value: 192.168.0.222
Netmask	Used together with the IP address to determine which network the transmitter is a part of. Must be set manually if automatic configuration is not used. A common netmask is 255.255.255.0 .
Gateway	IP address of the server that enables the transmitter to access other networks. Must be set manually if automatic configuration is not used. Example value: 192.168.0.1
MAC	The MAC address is the unique hardware address of the LAN or WLAN interface. Cannot be changed.

Using Display/Keypad

You can configure the IP settings of the LAN and WLAN interfaces using the display/keypad as follows:

1. Press any of the arrow buttons to open the **MAIN MENU**.
2. Press the ► arrow button to select **Interfaces**.
3. Press ► arrow button to select **Network settings**. There will be a delay as the transmitter refreshes the network information.
4. You are now in the **Network Interface** menu. Selecting the **IP configuration** option opens the IP configuration menu.

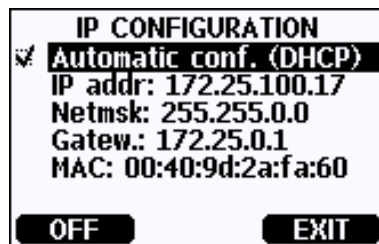


0802-113

Figure 56 Network Interface Menu

The **Network Interface** menu also allows you to enable or disable the **Web configuration** option, or **Disconnect all** users that are currently accessing the LAN or WLAN interface.

5. In the IP configuration menu, select **Automatic configuration (DHCP)**, or enter the **IP address**, **Netmask** and **Gateway** manually. If automatic configuration is enabled, manual configuration cannot be done.



0709-004

Figure 57 IP Configuration Menu

To enter a value manually, use the the ▲▼ arrow buttons to select the parameter to change, and press **Change**. A cursor will appear in the first digit. Move the cursor using the ◀▶ arrow buttons, and change the value under the cursor using the ▲▼ arrow buttons. Confirm the selection by pressing **OK**.

6. After configuring the desired parameters, press **EXIT** to return to the basic display.

Using Serial Line

Use the serial line command **NET** to view or set the network settings for the LAN and WLAN interfaces. You can also refresh the network information or disconnect all active connections.

NET [*REFRESH*] [*DISCONNECT*] [*DHCP WEB*] [*DHCP IP SUBNET GATEWAY WEB*]

where

REFRESH	=	Updates the network information and displays it
DISCONNECT	=	Disconnects all current sessions
DHCP	=	ON or OFF. Enables or disables the automatic IP configuration.
WEB	=	ON or OFF. Enables or disables the Web Configuration page.
IP	=	The four part network ID of the transmitter. Must be set manually if automatic configuration is not used.
SUBNET	=	Used together with the IP address to determine which network the transmitter is a part of. Must be set manually if automatic configuration is not used.
GATEWAY	=	IP address of the server that enables the transmitter to access other networks. Must be set manually if automatic configuration is not used.

Examples:

```
>net refresh
OK
DHCP           : OFF
IP address     : 192.168.0.101
Subnet mask    : 255.255.255.0
Default gateway: 192.168.0.1
Web config.    : OFF
MAC address    : 00:40:9d:2c:d2:05
Telnet         : Not connected
>
```

```
>net on off
DHCP           : ON
IP address     : 192.168.0.104
Subnet mask    : 255.255.255.0
Default gateway: 192.168.0.1
Web config.    : OFF
MAC address    : 00:40:9d:2c:d2:05
Telnet         : Connected
OK
>
```

```

>net off 192.168.0.101 255.255.255.0 192.168.0.1 off
DHCP                : OFF
IP address          : 192.168.0.101
Subnet mask         : 255.255.255.0
Default gateway     : 192.168.0.1
Web config.         : OFF
MAC address         : 00:40:9d:2c:d2:05
Telnet              : Connected
OK
>

```

Wireless LAN Configuration

The settings of the WLAN interface are described in Table 16. The current settings can be viewed on the serial line or using the device information display; see section Device Information on page 107.

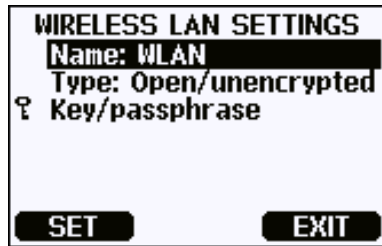
Table 16 Wireless LAN Settings

Parameter	Description
SSID	The service set identifier (i.e. network name) of the wireless network to connect to. 1 ... 32 characters.
Security type	The security type of the wireless network. The options are: OPEN OPEN/WEP WPA-PSK/TKIP WPA-PSK/CCMP All other choices except OPEN require a security key; see below.
Security key	The encryption key or passphrase that is used with an encrypted network.

Using Display/Keypad

You can configure the Wireless LAN settings using the display/keypad as follows:

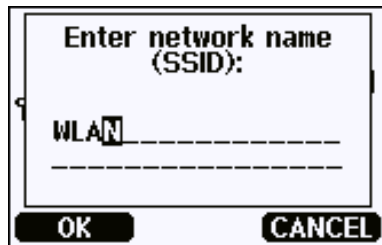
1. Press any of the arrow buttons to open the **MAIN MENU**.
2. Press the ► arrow button to select **Interfaces**.
3. Press the ► arrow button to select **Network settings**. There will be a delay as the transmitter refreshes the network information.
4. Press the ► arrow button to select **Wireless LAN settings**.



0802-111

Figure 58 Wireless LAN Settings

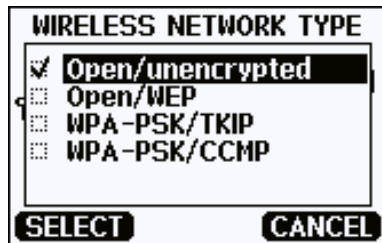
5. The **Name** entry on the page shows the SSID of the currently selected wireless network. To change the SSID, press the **SET** button. Use the **▲▼** arrow buttons to change the character under the cursor, and **◀▶** arrow buttons to move the cursor. Press the **OK** button when done.



0802-110

Figure 59 Entering Network SSID

6. To change the currently selected Network type, select the **Type** entry and press the **Change** button. Select the new type from the list and press the **Select** button.



0802-112

Figure 60 Selecting the Wireless Network Type

7. If you have selected an encrypted network type (WEP or WPA), you must enter the security key to be used. Select the **Key/passphrase** entry and press the **Set** button. Enter the key in the same way as the SSID, and press the **OK** button. With the WEP encryption you must enter the encryption key in hexadecimal (10 hexdecimals for 64-bit encryption or 26 hexdecimals for 128-bit encryption). A WPA key must be 8 ... 63 ASCII characters.

8. After setting the wireless network parameters, press the **Exit** button in the **Wireless Network Settings** menu. You will be asked to confirm the new settings. Note that when new settings are saved, all currently active WLAN connections are disconnected.

Using Serial Line

Use the serial line command **WLAN** to view or set the wireless network settings. If you set an encrypted network type, you will be asked to enter the security key. With the WEP encryption you must enter the encryption key in hexadecimal (10 hexdecimals for 64-bit encryption or 26 hexdecimals for 128-bit encryption) or with plain ASCII characters (5 characters for 64-bit encryption or 13 characters for 128-bit encryption). A WPA key must be 8 ... 63 ASCII characters.

WLAN [*SSID TYPE*]

Where

SSID = The network name in 1 ... 32 characters
 TYPE = The security type of the wireless network. The options are:

OPEN
 OPEN/WEP
 WPA-PSK/TKIP
 WPA-PSK/CCMP

Examples:

```
>wlan ?
Network SSID   : WLAN-AP
Type           : OPEN
>

>wlan accesspoint wpa-psk/kip
Network SSID   : accesspoint
Type           : WPA-PSK/TKIP
WPA-PSK phrase ? thequickbrownfox
Warning: Active connection will be disconnected.
Save changes (Y/N) ? y
OK
>
```

Telnet Settings

When a telnet connection is established via the LAN or WLAN interface, the session has the same communication mode, run interval, poll address and echo settings as the serial port (user port) session would have.

These settings can be changed using the display/keypad, using the serial line (user port or service port), or on-the-fly during the telnet session.

The display menu path to the telnet settings is:

Main menu ► Interfaces ► Network Interface ► Telnet settings.

The commands for changing the settings are **SMODE**, **INTV**, **ADDR**, and **ECHO**.

Web Configuration for LAN and WLAN

The LAN and WLAN interfaces both have a web configuration page that is accessible using a browser. If you have not disabled the page from the network settings, you can access it with a web browser at the IP address of the interface.

When accessing the web configuration page, you must first log in.

Username: **user**

Password: **vaisala**

The web configuration page provides similar network configuration options as the serial line and the display/keypad. It also has additional options for advanced users. For example, there are more options for securing the wireless network.

If these additional options are used, they will appear as custom configurations when viewed from the serial line or the display/keypad.

0802-114

Figure 61 Web Configuration Interface for WLAN

Terminal Program Settings

The instructions below describe how to connect to the DMT340 using the PuTTY terminal application for Windows. Perform the necessary cabling and configuration of the transmitter before following the instructions.

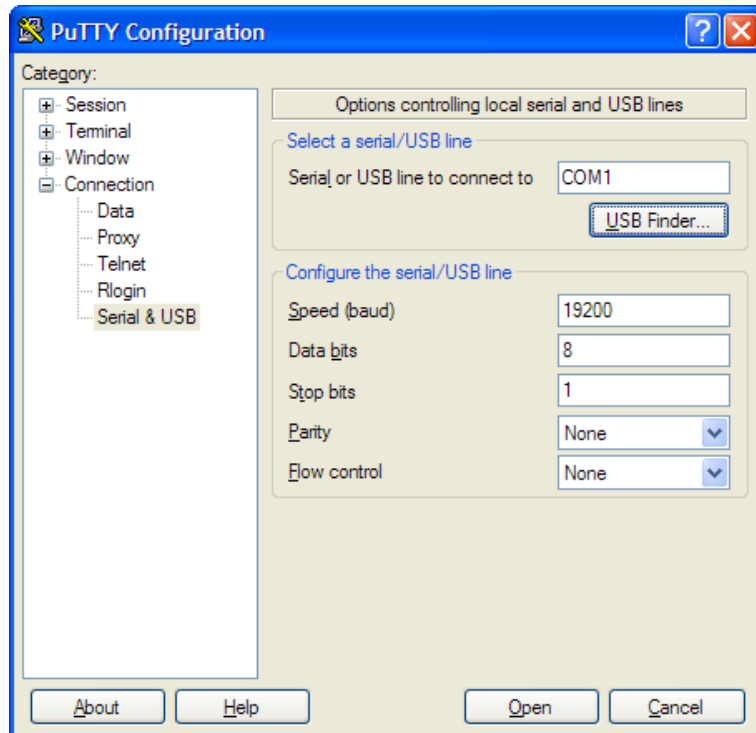
PuTTY is available for download at www.vaisala.com.

Opening a Serial/USB connection

1. Power up the DMT340 and start the PuTTY application.
2. Select the Serial & USB settings category, and check that the correct COM port is selected in the **Serial or USB line to connect to** field. Change the port if necessary.

If you are using a Vaisala USB cable, you can check the port that it uses by clicking the **USB Finder...** button. This opens the *Vaisala USB Instrument Finder* program that has been installed along with the USB drivers.

3. Check that the other serial/USB line settings are correct for your connection, and change if necessary. The default settings (shown in Figure 1) are used by the Service Port of the DMT340.



0810-070

Figure 62 Opening a Serial Connection

4. Click the **Open** button to open the connection window and start using the serial line.

If PuTTY is unable to open the serial port you selected, it will show you an error message instead. If this happens, restart PuTTY and check the settings.

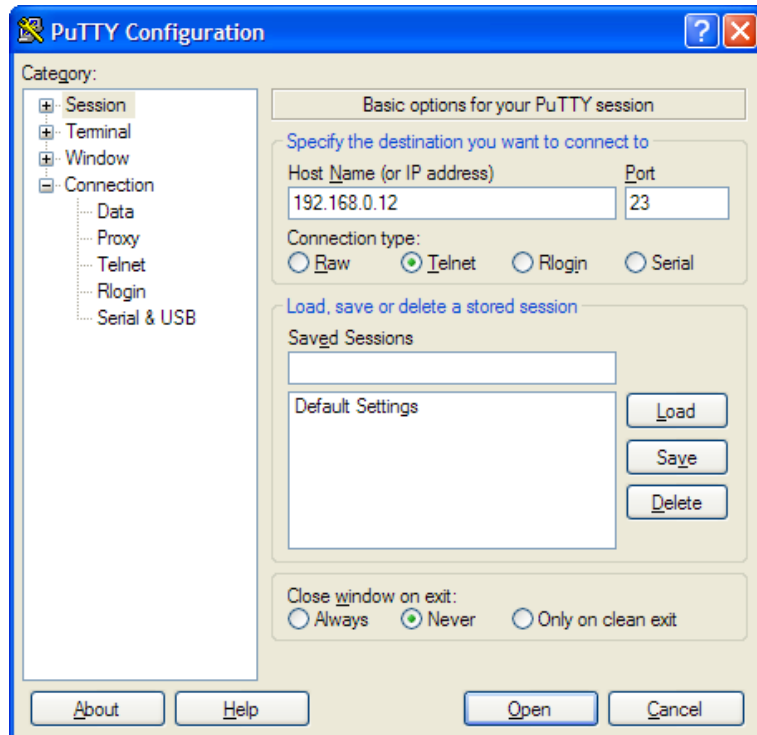
Opening a Telnet session (LAN/WLAN)

NOTE

The instructions below assume that the LAN/WLAN interface on the transmitter is correctly configured and the network connection is already done.

1. Power up the instrument and start the PuTTY application. If your transmitter acquires a network address using DHCP, wait for a minute for this to complete, then verify the address from the transmitter.
2. In the Session window, select the **Telnet** connection type.

3. Enter the IP address of your transmitter in the **Host Name (or IP address)** field. If you do not know the port, the default port **23** is likely correct.



0810-071

Figure 63 Opening a Telnet Connection

4. Click the **Open** button to open the connection window and start using the telnet session.

If PuTTY is unable to connect the IP address you entered, it will show you an error message instead. If this happens, check the IP address and the connections, restart PuTTY, and try again.

List of Serial Commands

The bold text in the brackets is the default setting. Enter commands by typing them on your computer and pressing the Enter key.

Table 17 Measurement Commands

Command	Description
R	Start the Continuous Outputting
S	Stop the Continuous Outputting
INTV [0 ... 255 S /MIN/H]	Set the Continuous Output Interval (for RUN mode)
SEND [0 ... 99]	Output the Reading once
SMODE [STOP /RUN/POLL]	Set the Serial Interface mode
SDELAY	View or set user port (RS232 or RS485) answer minimum delay
SERI [baud p d s]	User Port Settings (Default: 4800 E 7 1)
ADDR [0 ... 99]	Set the Transmitter Address (for POLL Mode)
NET	View or set networking parameters for LAN and WLAN interfaces
WLAN	View or set wireless network parameters for WLAN interface
OPEN [0 ... 99]	Open Temporarily Connection to a POLL Mode Device
CLOSE	Close the Temporary Connection (Back to POLL Mode)

Table 18 Formatting Commands

Command	Description
FORM	Set the output format of SEND and R commands
FST	Add the state of Autocal, purge and sensor warming in connection with SEND and R commands
FDATE	Add date to R and SEND outputs
FTIME	Add time to output to SEND and R outputs

Table 19 Data Recording Commands

Command	Description
DIR	Lists trend log files
PLAY [0 ... 21] [START END]	Output recorded data file. Start and end times can only be specified if the data logger module is installed. The times must be given in the following format: yyyy-mm-dd hh:mm:ss
DSEL	Select logged (and displayed) quantities
DELETE	Delete all data files, including the memory of the optional data logger module
UNDELETE	Recover the deleted files that have not been overwritten

Table 20 Purge Commands

Command	Description
PUR	Purge settings
PURGE	Start manual purge

Table 21 Autocalibration Commands

Command	Description
AUTO	Autocal settings
AUTOCAL	Start manual autocal

Table 22 Calibration and Adjustment Commands

Command	Description
FCRH	RH 2-point-adjustment
IKØ	Td/f 1-point-adjustment
CT	T 1/2-point-adjustment
ACAL	Perform analog output adjustment

Table 23 Setting and Testing the Analog Outputs

Command	Description
ASEL	Configure analog output quantities and scales
ITEST	Test analog outputs
AMODE	Display analog output mode
AERR	Change the error output
ASCL	Analog output scaling

Table 24 Setting and Testing the Relays

Command	Description
RSEL	Configure relay settings
RTEST	Test relays

Table 25 Other Commands

Command	Description
?	Output the information about the device
??	Output the information about the device in POLL-state
CDATE	Adjust the output date/set date when adjustment enabled
CODE	Display the order configuration code of the transmitter
CTEXT	Display the adjustment information text/set information text when adjustment enabled
DATE	Set date.
DSEND	Output the reading, also in poll mode.
ECHO	Turn the serial interface echo ON/OFF
ERRS	Display transmitter error messages
FIND	All devices in POLL mode send their addresses
HELP	List the most common commands
LOCK	Lock the menu/keypad
MODS	Display module status
PRES	Set the value for pressure compensation
RESET	Reset the device
TEST	Self-diagnostics information
TIME	Set time.
UNIT	Display output units
VERS	Display the software version information

Command	Description
XPRES	Set pressure (temporarily)
MOL/MOLI	View/set molecular weight parameter

Getting the Measurement Message from Serial Line

Starting Continuous Outputting

R

Enter the **R** command to start the continuous output of measurements.

Example:

```
>r  
Tdf=-20.6 'C H2O= 958 ppmV x= 0.6 g/kg
```

```
>r  
Tdf=-20.7 'C H2O= 958 ppmV T= 23.8 'C RH= 3.3 %RH
```

If a value is too long to fit to the allocated space in the output, or if there is an error in outputting the quantity, the value is displayed with stars '*'.

You can change the format of the output with the following commands:

- Outputting interval can be changed with the **INTV** command.
- Output message format can be changed with the **FORM** command.
- Status of purge, sensor warming and AutoCal can be added with the **FST** command.
- Date and time information can be added with commands **FDATE** and **FTIME**

Stopping Continuous Outputting

S

Use the **S** command to end the RUN mode. After this command all other commands can be used. You can also press the Esc button or reset the transmitter to stop the outputting.

See command **SMODE** to change the default (power-up) operation mode.

Formatting Serial Line Message

FTIME and FDATE

FTIME and **FDATE** commands will enable/disable output of time and date to the serial line. To add time to R and SEND outputs press **FTIME** [x].

FTIME

To add date to **R** and **SEND** outputs press **FDATE** [x]

FDATE

where

x = ON or OFF

Example:

```
>send
Tdf=-20.6 'C H2O= 959 ppmV T= 23.9 'C RH= 3.3 %RH
>ftime on
Form. time : ON
>send
23:08:27 Tdf=-20.6 'C H2O= 959 ppmV T= 23.9 'C RH= 3.3
%RH
>fdate on
Form. date : ON
>send
2000-01-31 23:08:46 Tdf=-20.6 'C H2O= 960 ppmV T= 23.9 'C
RH= 3.3 %RH
>
```

FST

To output the state of purge, sensor warming and AutoCal in connections with SEND and R commands press **FST** [x].

Where

x = ON or OFF (default)

Example:

```
>fst on
Form. status : ON
>send
N 0 RH= 40.1 %RH T= 24.0 'C Td= 9.7 'C Tdf= 9.7 'C a=
8.7 g/m3 x= 7.5
```

```

g/kg Tw= 15.6 'C ppm= 11980 pw= 12.00 hPa pws= 29.91 hPa
h= 43.2 kJ/kg
>purge
Purge started, press any key to abort.
>send
S 134 RH= 40.2 %RH T= 24.1 'C Td= 9.8 'C Tdf= 9.8 'C a=
8.8 g/m3 x= 7.5
g/kg Tw= 15.7 'C ppm= 12084 pw= 12.10 hPa pws= 30.11 hPa
h= 43.5 kJ/kg
>
    
```

Where the state of the probe is indicated by the following letters and values:

N...xxx	= Normal operation	where xxx	= Probe heat power
H...xxx	= Purge	where xxx	= Sensor temperature (°C)
S...xxx	= Sensor cooling	where xxx	= Sensor temperature (°C)
		after purge	
A...xxx	= AutoCal	where xxx	= Sensor temperature (°C)
w...xxx	= Sensor warming	where xxx	= Sensor heat power

See section General Settings on page 98 for a description of the other serial commands.

General Settings

Changing the Quantities and Units

To change quantities and units use serial commands or the optional display/keypad. See Table 3 on page 19 for available quantities and Table 4 on page 20 for optional quantities.

NOTE

Only the quantities selected when ordering the device can be selected as an output quantity.

Using Display/Keypad

Use display/keypad to select the display output quantities.

1. Press any of the arrow buttons to open the **MAIN MENU**.
2. Press the ► arrow button to select **Display**.
3. Press ► arrow button to select **Quantities**.
4. Select the quantity by using the ▲ ▼ arrow buttons. Confirm the selection by pressing **SELECT**. You can select 1 ... 3 display quantities at a time.

5. Press **EXIT** to return to the basic display.

To select display units:

1. Press any of the arrow buttons to open the MAIN MENU.
2. Press the ► arrow button to select **Display**.
3. Use the ▲▼ arrow buttons to select Units. Confirm the selection by pressing the right-hand arrow button.
4. Use the ▲▼ arrow buttons to select display units. Confirm the selection by pressing **CHANGE**. The unit changes from metric to non-metric or the other way round.
5. Press **EXIT** to return to the basic display.

NOTE

Changing the units by using the display/keypad has no effect on the serial output units.

Using Serial Line

Use the serial line command **FORM** to change the format, and the command **UNIT** to select metric or non-metric output units.

FORM

Use the serial line command **FORM** to change the format or select a certain quantities for the output commands **SEND** and **R**.

FORM [x]

where

x = Formatter string

The formatter string consists of quantities and modifiers. If no formatter string is entered, the command will display the currently active formatter string. Note that the hash symbol "#" is shown as a backslash "\" when viewing the current formatter string.

When entering the command, use the abbreviations of the quantities. For more information on quantities, see Table 3 on page 19 and Table 4 on page 20.

The modifiers are presented in Table 26 below.

Table 26 FORM Command Modifiers

Modifier	Description
x.y	Length modifier (number of digits and decimal places)

Modifier	Description
#t	Tabulator
#r	Carriage-return
#n	Line feed
""	String constant
#xxx	Special character, code "xxx" (decimal), for example #027 for ESC
U5	Unit field and length
ADDR	Transmitter address with two characters [00...99]
ERR	Error flags for P, T, Ta, RH [0000 ... 1111], 0 = no error
STAT	Transmitter status in 7 character field, for example: N 0 no heating h 115 probe heating active, power 115/255 H 159.0 purge heating active, temperature 159°C S 115.0 purge cooling active, temperature 115°C X 95.0 sensor heating active, temperature 95°C
SN	Transmitter serial number
TIME	Time [hh:mm:ss]
DATE	Date [yyyy-mm-dd]
OK	Pressure stability indicator, two characters [OK or " "]
CS2	Modulus-256 checksum of message sent so far, ascii encoded hexadecimal notation
CS4	Modulus-65536 checksum of message sent so far, ascii encoded hexadecimal notation
CSX	NMEA xor-checksum of message sent so far, ascii encoded hexadecimal notation
A3H	Pressure tendency [* or 0...8]

Example:

```
>form "Td=" 4.2 rh U5 #t "T=" t U3 #r #n
Td= 3.30°C T= 22.18'C
>send
Td= 3.30°C T= 22.18'C

>form "Tfrost=" tdf U3 #t "Temp=" t U3 #r#n
Tfrost= -21.6'C Temp= 22.2'C
>
```

Command **FORM /** will return the default output format. The default output format depends on the device configuration.

```
>form /
Tdf=-21.6 'C H2O= 874 ppmV T= 22.2 'C RH= 3.3 %RH
>
```

UNIT

Use the command **UNIT [x]** to select metric or non-metric output units.

where

$x = M$ or N

where

$M =$ Metric units

$N =$ Non-metric units

NOTE

This command changes both the serial output and display units to either metric or non-metric units. When you want to output both metric and non-metric units simultaneously on the display, select the display units by using the display/keypad.

Use **UNIT H₂O** [ppmv/ppmw] to change H₂O units.

Use the **MOL/MOLI** command to view/set mole weight parameter that will be used in calculating H₂O ppm_w.

Pressure Compensation Setting

The pressure has an effect on humidity calculations and accuracy. Therefore, accurate calculations can be achieved only when the process pressure is taken into consideration.

Note that conversions from mmHg and inHg are defined at 0°C and for mmH₂O and inH₂O at 4°C.

NOTE

Pressure compensation is intended to be used in normal air only. When measuring in other gases, please contact Vaisala for further information.

NOTE

Fixed pressure compensation value of 1013.25 hPa is used when in adjustment mode.

Using Display/Keypad

Use display/keypad to set the pressure compensation. To select the pressure unit using display/keypad see section Changing the Quantities and Units on page 98.

1. Press any of the arrow buttons to open the **MAIN MENU**.

2. Select **Measuring** and press the ► arrow button to confirm your selection.
3. Select Pressure compensation and press the ► arrow button to confirm you selection.
4. Press **SET** and enter the pressure value by using the arrow buttons.
5. Press **OK** and **EXIT** to return to the basic display.

Using Buttons on the Motherboard

Pressure set buttons (P_{chk} and P_{set}) can be used to set the process pressure.

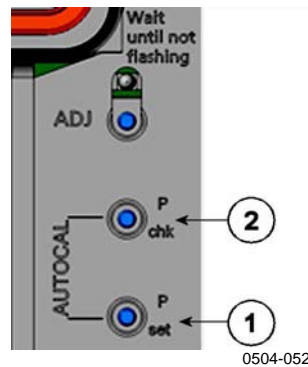


Figure 64 Pressure Set Buttons on the Motherboard

Numbers refer to Figure 64 above:

- 1 = Pressure set button
- 2 = Pressure check button

Press check button (P_{chk}) and a red led will flash the current pressure setting in bar_a .

Press the set button (P_{set}) to set the pressure value. The number of presses equals the number of bar_a to be set (for example, three presses = three bar_a). After a few seconds, the red led will confirm the setting by flashing the new pressure value.

Using Serial Line

XPRES and PRES

Command **XPRES** should be used if the value is changed frequently. Its value is not retained at reset, and when set to 0, last value set with **PRES** is used instead. Use the serial line and do the following:

PRES [aaaa.a]

XPRES [aaaa.a]

where

aaaa.a = Absolute process pressure (hPa)

Example:

```
>pres
Pressure      : 1013.00 hPa ?
>pres 2000
Pressure      : 2000.00 hPa
>
```

Table 27 Multiplication Factors

From	To: hPa
mbar	1
PaN/m2	0.01
mmHg torr	1.333224
inHg	33.86388
mmH ₂ O	0.09806650
inH ₂ O	2.490889
atm	1013.25
at	980.665
bar	1000
psia ¹⁾	68.94757

1) Psia = psi absolute.

Example:

$29.9213 \text{ inHg} = 29.9213 \times 33.86388 \text{ hPa} = 1013.25 \text{ hPa}$

Date and Time

Using Display/Keypad

If the optional Data Logger Module is installed, you can change the time and date using the display/keypad.

1. Press any of the arrow buttons to open the **MAIN MENU**.
2. Select **System** and press the ► arrow button to confirm your selection.
3. Select **Date and time** and press the ► arrow button.
4. Press the **SET** button to enter the adjustment mode, and use the arrow buttons to select and change the values.
5. You can also change the date and time formats that are shown in the graphs. The selected formats are only used in graphical display, they do not change the formats that are used in the serial communication.

6. Press **EXIT** to return to the basic display.

Using Serial Line

To set time enter the **TIME** command. To set date enter the **DATE** command.

TIME

DATE

These time and date settings are shown on the timestamps of **PLAY** command. When you want to include time and date in the **R** and **SEND** commands, use the **FTIME** and **FDATE** commands.

Example:

```
>TIME
Time           : 13:42:49 ?

>DATE
Date           : 2007-05-31 ?
```

NOTE

If the optional Data Logger Module is not installed, time and date are cleared to 2000-01-01 00:00:00 at reset or at power failure.

User Port Serial Settings

The communication settings for the user port can be changed via the serial line or by using the optional display/keypad. The communication settings for the service port are fixed and not changeable.

1. Press any of the arrow buttons to open the **MAIN MENU**.
2. Select **Interfaces** and press the ► arrow button to confirm your selection.
3. Select **Serial interface** and press the ► arrow button to confirm your selection.
4. Select **Bit rate/Serial format/Comm. mode** by pressing the **CHANGE** button. Use the ▲▼ arrow buttons to select and press **SELECT** to confirm your selection.
5. Select **RUN** interval for RUN communication mode and press **SET** to confirm your selection.
6. Use the arrow buttons to set the measuring interval and the unit. Press **OK** to confirm your settings.
7. Select **POLL** address for **POLL** communication mode. Press **SET** to confirm your selection.

8. Use the arrow buttons to set the transmitter address. Press **OK** to confirm the setting.
9. Use the arrow buttons to select **ECHO**. Press **ON** to turn it on. Press **OFF** to turn it off.
10. Press **EXIT** to return to the basic display.

SERI

Use the serial line command **SERI** [*b p d s*] to set communication settings for the user port.

SERI [*b p d s*]

where

- b = Bauds (110, 150, 300, 600, 1200, 2400, 4800, 9600, 19200, 38400, 57600, 115200)
- p = Parity (n = none, e = even, o = odd)
- d = Data bits (7 or 8)
- s = Stop bits (1 or 2)

Example:

```
>SERI 600 N 8 1
600 N 8 1
```

SMODE

Use the command **SMODE** [*xxxx*] to set the user port start-up operating mode.

SMODE [*xxxx*]

where

xxx = STOP, RUN or POLL

Table 28 Selection of Output Modes

Mode	Output	Commands used
STOP	Only by command	All (default mode)
RUN	Automatic output	Only command S
POLL	Only with command SEND [<i>addr</i>]	Use with RS-485 buses, see RS-422/485 Interface on page 62.

Selected output mode will be activated after power outages.

INTV

Use the command **INTV**[xxx yyy] to set the outputting interval for the RUN mode.

where

xxx = Output interval (0 ... 255). 0: the fastest possible output rate.
 yyy = Unit (s, min or h)

Example:

```
>INTV 10 min
Output intrv. : 10 min
```

ECHO

Use the command **ECHO** [x] to set the user port echo. The command either enables or disables echo of characters received.

ECHO [x]

where

x = ON (default) or
 = OFF

NOTE

You can use the SERI, SMODE, INTV and ECHO commands to change/view the user port settings even if you are currently connected to the service port.

Data Filtering

The averaging data filter calculates a average over a certain period of time. The lowest measurement noise is achieved with the extended filtering. There are three filtering levels available.

Table 29 Filtering Levels

Setting	Filtering level
OFF	No filtering
ON (default)	Standard = short filtering (about 15 s moving average)
EXTENDED	Extended filtering (default: 1 min average)

Use display/keypad to set the filtering level.

1. Press any of the arrow buttons to open the **MAIN MENU**.
2. Select **Measuring** by pressing the ► arrow button.
3. Select **Filtering** and press **CHANGE** to confirm your selection.
4. Select **Off/Standard/Extended** and press **SELECT** to confirm your selection.
5. Press **EXIT** to return to the basic display.

FILT

Use the serial line to set the filtering level. Use the **FILT [xxx]** command

where

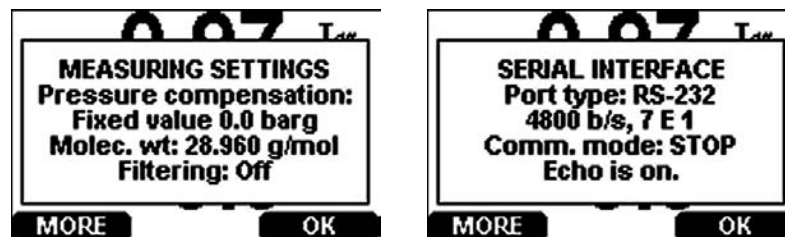
xxx = OFF, ON or EXT (default = ON)

Device Information

Use the display/keypad or the serial line to display the device information.

Press the **INFO** button in the basic display to see the following information:

- current sensor operation (for example, AutoCal or Purge) in progress
- present or past unacknowledged errors
- device information
- adjustment information fed by the user
- measuring settings
- information on Purge settings
- Display Alarm settings
- serial interface information
- network settings and status of the LAN and WLAN interfaces
- analog output information
- relay output information



0706-012

Figure 65 Following Device Information on the Display

Proceed in the information views by pressing the **MORE** button as many times as you get the desired information. You can browse through the information displays also with arrow buttons. Press **OK** to return to the basic display.

?

Use the serial line command **?** to check the current transmitter configuration. Command **??** is similar but can also be used if the transmitter is in POLL mode.

```
>?  
DMT340 / 2.02  
Serial number   : A2150004  
Batch number    : A1450004  
Adjust. date    : 2005-06-20  
Adjust. info    : Vaisala/HEL  
Date            : 2000-01-01  
Time            : 00:00:23  
Serial mode     : STOP  
Baud P D S     : 4800 E 7 1  
Output interval: 0 s  
Address         : 0  
Echo            : ON  
Pressure        : 1000.00 hPa  
Filter          : ON  
Ch1 output     : 4...20mA  
Ch2 output     : 4...20mA  
Ch1 RH low     : 0.00 %RH  
Ch1 RH high    : 100.00 %RH  
Ch2 T low      : -40.00 'C  
Ch2 T high     : 180.00 'C  
Module 1       : not installed  
Module 2       : not installed  
>
```

HELP

Use the command **HELP** to list the commands.

```
>help
?          ACAL      ADDR      AERR      ALSEL
ASCL      ASEL      CDATE    CLOSE    CODE
CRH       CT        CTA      CTEXT    DATE
DELETE    DIR       DSEL     DSEND    ECHO
ERRS      FCRH     FDATE    FILT     FORM
FST       FTIME    HELP     INTV     ITEST
MODS      NET      OPEN     PLAY     PRES
R         RESET    SEND     SERI     SMODE
TEST      TIME     UNDELETE UNIT     VERS
WLAN     XPRES
>
```

ERRS

Use the command **ERRS** to display transmitter error messages, see Table 30 on page 137.

Example:

```
>ERRS
NO ERRORS
>
```

Example:

```
>ERRS
FAIL
Error: Temperature measurement malfunction
Error: Humidity sensor open circuit
>
```

VERS

Use the command **VERS** to display software version information.

Example:

```
>vers
DMT340 / 2.02
>
```

Resetting the Transmitter Using Serial Line

RESET

The **RESET** command resets the transmitter. The user port switches to start-up output mode selected with command **SMODE**.

Locking Menu/Keypad by Using Serial Line

LOCK

Use the **LOCK** command to prevent the user from entering the menu using the keypad, or to lock the keypad completely. You can optionally set a 4-digit PIN code, for example 4444.

If a PIN code has been set, the user will be prompted to enter the code when trying to access the menu. Entering the code correctly will disable the lock until the user returns back to the basic view.

LOCK [x] [yyyy]

where

- x = Keypad locking level, range 0...2. The options are:
 - 0 - No lock (enables full access)
 - 1 - Menu locked, but graphs are accessible
 - 2 - Keypad completely disabled
- yyyy = 4-digit PIN code. The code can only be set when keypad locking level is 1.

Examples:

```
>lock 1 4444
Keyboard lock : 1 [4444]
>
```

```
>lock 1
Keyboard lock : 1
>
```

Data Recording

Data recording function is always on and collects data automatically into the memory of the device. If the optional data logger module is installed, the transmitter uses it automatically. Recorded data does not disappear from the memory when the power is switched off. Collected data can be observed in a form of a graph in the graphical view of the display or it can be listed out by using the serial line or MI70 Link program.

Selecting the Data Recording Quantities

If the device is provided with the optional display, the recorded quantities are always those selected for the display. Up to three quantities can be recorded at a time. See section Changing the Quantities and Units on page 98 for instructions on how to select the display quantities with the keypad.

DSEL

Use the serial line command **DSEL** [xxx] to select the quantities to be recorded if the transmitter is not equipped with display/keypad.

You may also dump the logged data to the serial line in numeric form with the following commands.

DSEL [xxx]

where

xxx = Data recording quantity. See Table 3 and Table 4 on page 19 for the quantities.

Enter the command without parameters and press **ENTER** to display current recording parameters.

Example:

```
>dsel rh t tdf
RH T Tdf
```

View Recorded Data

If the device is provided with the optional display, the graphical display shows the data of the selected quantities, one at a time. See section Graphic History on page 72 for details about graphical display.

DIR

Use the serial line and enter the **DIR** command to check the available files.

Without the data logger module, the transmitter records five files (five observation periods) for each selected quantity. The data logger raises the number of recorded files to six for each quantity. Thus, the total amount of the files varies between 5 and 18. See Table 11 on page 73.

Select, for example, two quantities (T and Tdf). The last column illustrates the number of data points that has been stored in the file.

Example (data logger module installed):

```
>dir
  File description           Oldest data available           No. of points
1  T   (90 s intervals)      2007-05-30 05:25:30           1555200
2  T   (12 min intervals)    2007-05-29 05:48:00           194400
3  T   (2 h intervals)       2007-05-19 02:00:00           19440
4  T   (12 h intervals)      2007-03-23 12:00:00           3240
5  T   (3 d intervals)       2006-04-20 00:00:00           540
6  T   (12 d intervals)      2002-12-16 00:00:00           135
7  Tdf (90 s intervals)      2007-05-30 05:25:30           1555200
8  Tdf (12 min intervals)    2007-05-29 05:48:00           194400
9  Tdf (2 h intervals)       2007-05-19 02:00:00           19440
10 Tdf (12 h intervals)      2007-03-23 12:00:00           3240
11 Tdf (3 d intervals)       2006-04-20 00:00:00           540
12 Tdf (12 d intervals)      2002-12-16 00:00:00           135
>
```

Example (without data logger module):

```
>dir
  File description           Oldest data available           No. of points
1  T   (90 s intervals)      2008-04-11 20:41:11           135
2  T   (12 min intervals)    2008-04-10 21:03:41           135
3  T   (2 h intervals)       2008-03-31 18:03:41           135
4  T   (12 h intervals)      2008-02-04 12:03:41           135
5  T   (3 d intervals)       2007-03-04 00:03:41           135
6  Tdf (90 s intervals)      2008-04-11 20:41:11           135
7  Tdf (12 min intervals)    2008-04-10 21:03:41           135
8  Tdf (2 h intervals)       2008-03-31 18:03:41           135
9  Tdf (12 h intervals)      2008-02-04 12:03:41           135
10 Tdf (3 d intervals)       2007-03-04 00:03:41           135
>
```


PLAY

Use the **PLAY** command to output the selected file to the serial line. If the data logger module is installed, you can specify an interval to be outputted.

Data in the output is <TAB> delimited. This is compatible with most spreadsheet programs. Before giving the command, set the local date and time with **TIME** and **DATE** commands, if needed.

PLAY [x] [*start_date start_time end_date end_time*]

where

- x = Number of the data file that will be outputted, range 0...18. The numbers correspond to the output of the DIR command; refer to the example on page 112. Selecting number 0 will output all data files.
- start_date = Starting date of the interval to be outputted. Must be given in the following format: yyyy-mm-dd
- start_time = Starting time of the interval to be outputted. Must be given in the following format: hh:mm:ss
- end_date = Ending date of the interval to be outputted. Must be given in the following format: yyyy-mm-dd
- end_time = Ending time of the interval to be outputted. Must be given in the following format: hh:mm:ss

Example:

```
>play 7 2007-05-05 00:00:00 2007-05-06 00:00:00
Tdf (12 min intervals) 2007-05-05 00:00:00 121
Date      Time      trend  min    max
yyyy-mm-dd hh:mm:ss    'C     'C     'C
2007-05-05 00:00:00 -22.60 -22.63 -22.57
2007-05-05 00:12:00 -22.55 -22.58 -22.53
2007-05-05 00:24:00 -22.50 -22.53 -22.45
2007-05-05 00:36:00 -22.43 -22.45 -22.41
2007-05-05 00:48:00 -22.35 -22.41 -22.32
2007-05-05 01:00:00 -22.31 -22.33 -22.29
...
```

NOTE

Output of large amounts of recorded data can result in huge data files and take a long time, up to several days for the entire memory of the data logger. To make it easier to process the data it is recommended to select the largest suitable data interval, and to specify the start and end times carefully.

Deleting the Recorded Files

You can delete the recorded data files using the keypad/display, or the **DELETE** command on the serial line. The deletion is always done for all data; you cannot delete individual files.

Note that the transmitter automatically overwrites the old data when the memory is full, so manual deletion of the recorded files is not necessary in normal use.

To delete the data files using the keypad/display:

1. Press any of the arrow buttons to open the **MAIN MENU**.
2. Select **System** by pressing the ► arrow button.
3. Select **Clear graph memories** by pressing the **CLEAR** button. Press the **YES** button to confirm the selection.

CAUTION

This function clears the entire data history of the transmitter, including all graphs and the content of the optional data logger module.

UNDELETE

Similarly to the **DELETE** command, the **UNDELETE** command is used without any arguments. It will recover all deleted data that has not been overwritten yet.

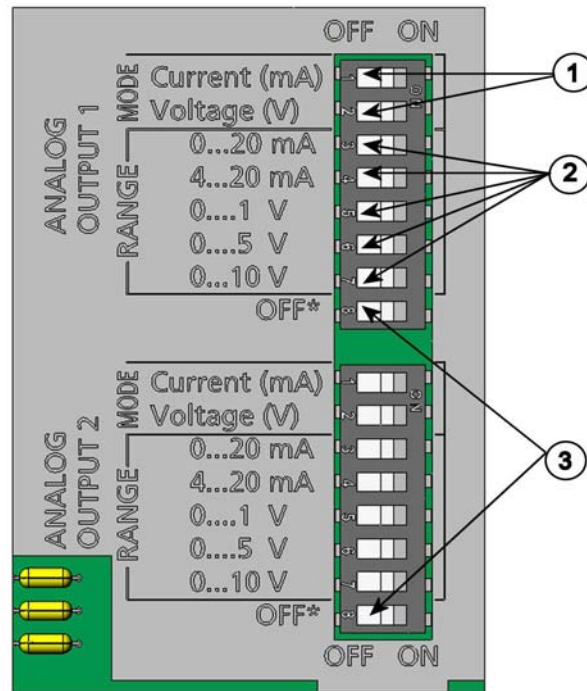
Analog Output Settings

The analog outputs are set in the factory according to the order form. In case you want to change the settings, follow these instructions. See section Third Analog Output on page 59.

Changing the Output Mode and Range

Both output channels have their own dip switch module with 8 switches, see the position in Figure 2 on page 22 (dip switches for analog output settings).

1. Select the current/voltage output, switch ON either of the switches, 1 or 2.
2. Select the range, switch ON one of the switches from 3 to 7.



0503-045

Figure 66 Current/Voltage Switches of Output Modules

Numbers refer to Figure 66 above:

- 1 = Current/voltage selection output switches (from 1 to 2)
- 2 = Current/voltage range selection switches (from 3 to 7) in analog output 1 and 2.
- 3 = Switches for service use only. Keep in OFF position always.

NOTE

Only one of the switches, 1 or 2, must be ON at a time.

Only one of the switches, 3 to 7, must be ON at a time.

Example: 0 ... 5 V voltage output selected for channel 1 and 4...20 mA selected for channel 2.

	OFF	ON	Selection
1	■		Voltage output selected
2		■	
3	■		
4	■		
5	■		0 ... 5 V selected
6		■	
7	■		
8	■		

1		■	Current output selected
2	■		
3	■		4 ... 20 mA selected
4		■	
5	■		
6	■		
7	■		
8	■		

NOTE

If you have customized the error output setting (**AERR**), check that the set error values are still valid after changing the output mode/range, see section Analog Output Fault Indication Setting on page 119.

Analog Output Quantities

Use the display/keypad to change and scale the analog output quantities.

1. Press any of the arrow buttons to open the **MAIN MENU**.
2. Select **Interfaces** by pressing the ► arrow button.
3. Select **Analog outputs** by pressing the ► arrow button.
4. Select **Output 1/2/3** by pressing the ► arrow button.
5. Select **Quantity** by pressing the ▲ ▼ arrow buttons. Confirm your selection by pressing **CHANGE**.
6. Select **the quantity** by using the arrow buttons. Press **SELECT** to confirm your selection.
7. Select **Scale**, lower limit, by pressing the ▲ ▼ arrow buttons. Press **SET** to confirm your selection. Press **OK** to confirm your setting.

8. Select the upper limit by pressing the ▲▼ arrow buttons. Use the arrow buttons to set the upper limit value. Press **SET** to confirm your selection. Press **OK** to confirm your setting.
9. Press **EXIT** to return to the basic display.

AMODE/ASEL

Use the serial line to select and scale the analog output quantities. Connect the transmitter to the PC. Open the terminal connection between your PC and the transmitter.

1. Check the analog outputs with the **AMODE** command.

Example:

```
>amode
Ch1 output      : 0...1V
Ch2 output      : 0...1V
>
```

2. Select and scale the quantities for the analog outputs with the command **ASEL** [xxx yyy zzz]. Note that the optional quantities can be selected only if they have been selected when ordering the device.

where

xxx	=	Quantity of channel 1
yyy	=	Quantity of channel 2
zzz	=	Quantity of the optional analog output channel 3

Always enter all the quantities for all outputs. For quantities and their abbreviations see Table 3 on page 19.

Use the command **ASEL** [xxx yyy] as shown in the example below when using a device with two analog outputs.

Example:

```
>asel td t
Ch1 Td   low  : -20.00 'C ?
Ch1 Td   high : 100.00 'C ?
Ch2 T    low  : -40.00 'C ?
Ch2 T    high : 180.00 'C ?
>
```

Analog Output Tests

Use the display/keypad for testing to test the operation of the analog by forcing the outputs to known values. Measure then the values with a current/voltage meter.

Use the display/keypad for testing.

1. Press any of the arrow buttons to open the **MAIN MENU**.
2. Select **System** by pressing the ► arrow button.
3. Select **Diagnostics** by pressing the ► arrow button.
4. Select **Analog output tests** by pressing the ► arrow button.
5. Select one of the testing options **Force 0 %/50%/100% of scale**. Press **TEST** to confirm your selection. All outputs are tested simultaneously. The actual output value depends on the selected range.
6. Press **OK** to stop testing. Press **EXIT** to return to the basic display.

ITEST

Use the serial line to test the operation of the analog outputs. Use the command **ITEST** [*aa.aaa bb.bbb*] to force the analog outputs to entered values. The set values remain valid until you enter the command **ITEST** without parameters or **RESET** the transmitter.

ITEST [*aa.aaa bb.bbb*]

where

aa.aaa = Current or voltage value to be set for channel 1 (mA or V)
bb.bbb = Current or voltage value to be set for channel 2 (mA or V)

Example:

```
>itest 20 5
Ch1 (Td )      :          *          20.000 mA   H'672A
Ch2 (T )       :          *           5.000 mA   H'34F9
>itest
Ch1 (Td )      :   -23.204 'C   16.238 mA   H'FFFE
Ch2 (T )       :    22.889 'C    8.573 mA   H'5950
>
```

Analog Output Fault Indication Setting

Factory default state for analog outputs during error condition is 0 V/0mA. Please be careful when selecting the new error value. The error state of the transmitter should not cause unexpected problems in process monitoring.

Use the display/keypad to set the analog output fault indication.

1. Press any of the arrow buttons to open the **MAIN MENU**.
2. Select **Interfaces** by pressing the ► arrow button.
3. Select **Analog Outputs** by pressing the ► arrow button.
4. Select **Output 1/2/3** by pressing the ► arrow button.
5. Select Fault indication. Press **SET** to confirm your selection. Enter the fault indication value by using the arrow buttons. Press **OK** to confirm your setting. This value is outputted if a transmitter error occurs.
6. Press **EXIT** to return to the basic display.

AERR

Use the serial line **AERR** command to change the error output.

AERR

Example:

```
>aerr
Ch1 error out : 0.000V ? 5.0
Ch2 error out : 0.000V ? 5.0
>
```

NOTE

The error output value must be within a valid range for the output type.

NOTE

The error output value is displayed only when there are minor electrical faults such as a humidity sensor damage. When there is a severe device malfunction, the error output value is not necessarily shown.

Operation of Relays

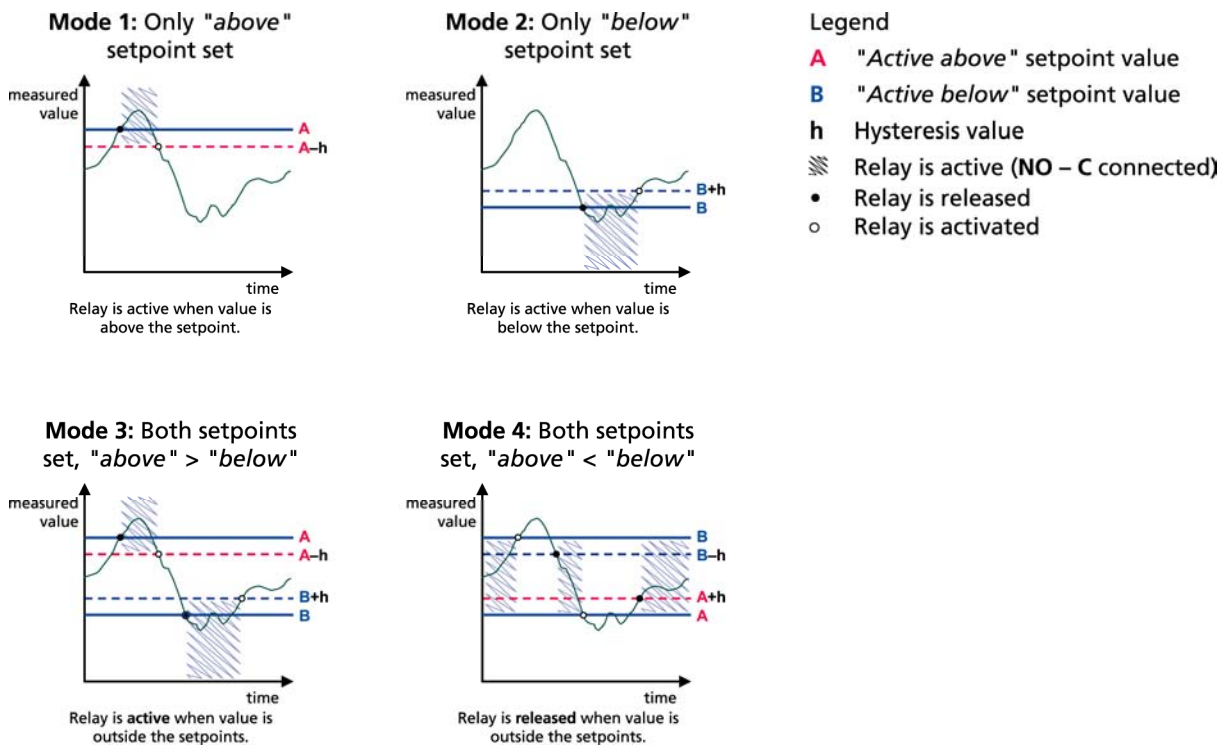
Quantity for Relay Output

A relay monitors the quantity chosen for the relay output. Any of the quantities available can be chosen.

Measurement-Based Relay Output Modes

Relay Setpoints

When the measured value is in between the "above" and "below" values, the relay is passive. When choosing lower value as "above" value and higher value as "below" value, the relay is passive when the measured value is not between the setpoints. You can also set only one setpoint. See Figure 67 below for illustrative examples of the different measurement-based relay output modes.



0610-076

Figure 67 Measurement-Based Relay Output Modes

Mode 4 is usually used if an alarm needs to be triggered when the measured value exceeds a safe range. The relay is active when measurement is in range, and is released if the value goes out of range or the measurement fails.

NOTE

If the measurement of the selected quantity fails or the transmitter loses its power, the relay is released.

Hysteresis

Hysteresis function is to prevent the relay switching back and forth when measured value is near to the setpoint values.

Relay is activated when the measured value passes the exact value of the setpoint. When returning and passing the setpoint again relay is released only until the value reaches the setpoint increased/decreased by the hysteresis value.

Hysteresis should be smaller than difference of the setpoints.

Example: When the 'active above' value is -30 °C and the hysteresis value is 2 °C, relay activates when the dewpoint reaches -30 °C. As the dewpoint then decreases, relay releases at -32 °C.

```
>rsel tdf t
Rel1 Tdf  above: - ? -30
Rel1 Tdf  below: -30.00 'C ? -
Rel1 Tdf  hyst : 5.00 'C ? 2
Rel1 Tdf  enabl: ON ?
Rel2 T    above: 30.00 'C ?
Rel2 T    below: 20.00 'C ?
Rel2 T    hyst : 1.00 'C ?
Rel2 T    enabl: ON ?
>
```

NOTE

If both setpoints are specified and "above" setpoint is lower than "below" setpoint, the hysteresis works in the opposite direction, that is, relay is **released** when the measured value passes the exact value of the setpoint.

Relay Indicating Transmitter Error Status

You can set a relay to follow the operation status of the device. By selecting FAULT/ONLINE STATUS for output quantity a relay changes state on the basis of the operation status as follows:

FAULT STATUS

Normal operation: relay active (C and NO outputs are closed)

Not measuring state (error state or power off): relay released (C and NC outputs are closed)

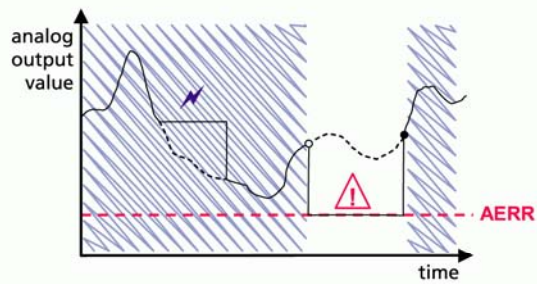
ONLINE STATUS

Live measurement (data available): relay active (C and NO outputs are closed)

No live data (for example: error state, chemical purge or adjustment mode): relay released (C and NC outputs are closed)




See Figure 68 on page 123 for illustrative examples of the FAULT/ONLINE STATUS relay output modes.

Analog output vs. "FAULT STATUS" relay

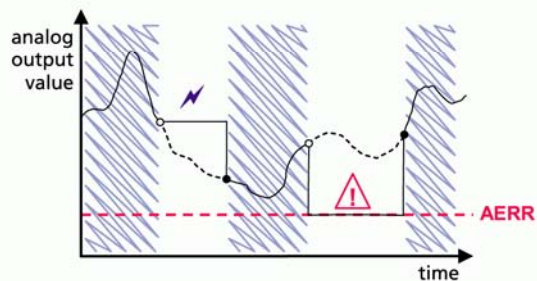


Relay is released in case of a measurement failure only.

Legend

- AERR** Analog output "fault indication" value set by user
-  Outputs frozen because of e.g. *Purge* or *Autocal*
 -  Measurement failure because of e.g. damaged sensor
 - True value of the measurement parameter during the exceptional situation
 -  Relay active (NO – C connected)
 - Relay is activated
 - Relay is released

Analog output vs. "ONLINE STATUS" relay



Relay is released when the output values are frozen, the adjustment mode is activated, or an instrument failure is detected

0610-077

Figure 68 FAULT/ONLINE STATUS Relay Output Modes

FAULT/ONLINE STATUS relays are usually used in conjunction with an analog output to obtain validity information for the output value.

NOTE

If transmitter loses its power, all status-based relays are released similarly to the case of an instrument failure.

Enabling/Disabling the Relays

You can deactivate the relay outputs for example for service purposes of your system.

Operation of the Indication LEDs

Relay is activated: LED is lit.

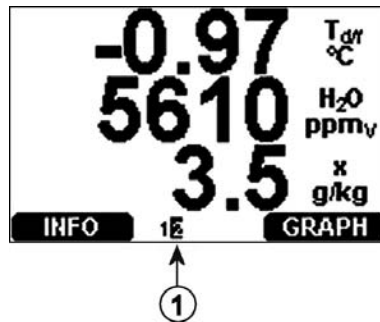
Relay is not activated: LED is not lit.

Setting the Relay Outputs

NOTE

When having only one relay module installed, its relays are called 'relay 1' and 'relay 2'.

When having two relay modules, the relays of the the module connected to slot MODULE 1 (communications) are called 'relay 1' and relay 2' and relays connected to slot MODULE 2 are called 'relay 3' and 'relay 4'



0706-013

Figure 69 Relay Availability

Number refers to Figure 69 above:

1 = Lists enabled relays. Activation state shown in black. Disabled relays are not shown.

Use the display/keypad to set the relay outputs.

1. Press any of the arrow buttons to open the **MAIN MENU**.
2. Select **Interfaces**, confirm by pressing the ► arrow button.
3. Select **Relay outputs**, confirm by pressing the ► arrow button.
4. Select **Relay 1/2/3/4**, confirm by pressing the ► arrow button.
5. Select the **Quantity**, confirm by pressing **Change**. Select the Quantity by using the arrow buttons. Confirm your selection by pressing **Select**. (Press **Fault Status** when the relay follows the transmitter error.) Press **Change** to set the value.
6. Select **Act. above / Act. below**. Press **SET** to confirm your selection. If asked, select **MODIFY** if you want to set the setpoint

by using the arrow buttons. Select **REMOVE** if you want to remove the setpoint.

7. Select Hysteresis Press **SET**. Set the hysteresis by using the arrow buttons. Press **OK**.
8. Select Relay enable, press **ON/OFF** to enable/disable the relay.

RSEL

Use the serial line to select the quantity, setpoints and hysteresis or enable/disable the relay outputs. Enter the **RSEL** command.

RSEL [*q1 q2 q3 q4*]

where

- q1* = quantity for the relay 1 or Fault/Online
- q2* = quantity for the relay 2 or Fault/Online
- q3* = quantity for the relay 3 or Fault/Online
- q4* = quantity for the relay 4 or Fault/Online

Factory setting: all relays disabled.

Use the quantity abbreviations presented above. See Table 3 on page 19 and Table 4 on page 20.

Example of window limit switch (upper and lower setpoints for control parameter): Selecting relay 1 to follow dewpoint/frost point temperature measurement and relay 2 to follow temperature measurement. Two relay setpoints are set for both relays.

```
>rsel tdf t
Rel1 Tdf  above: - ? -10
Rel1 Tdf  below: - ? -30
Rel1 Tdf  hyst : 0.00 'C ? 5
Rel1 Tdf  enabl: OFF ? on
Rel2 T    above: - ? 30
Rel2 T    below: - ? 20
Rel2 T    hyst : 0.00 'C ? 1
Rel2 T    enabl: OFF ? on
>
```

Example of normal limit switch (one setpoint for relay activation/deactivation): Selecting relay 1 to follow relative humidity, relay 2 to follow temperature, relay 3 to follow dewpoint and relay 4 to follow dewpoint. One setpoint is chosen for all the outputs.

```
>rsel rh t td td
Rel1 RH   above: 60.00 %RH ? 70
Rel1 RH   below: 70.00 %RH ? -
Rel1 RH   hyst : 2.00 %RH ? 2
Rel1 RH   enabl: ON ? on
Rel2 T    above: 50.00 'C ? 60
Rel2 T    below: 40.00 'C ? -
Rel2 T    hyst : 2.00 'C ? 2
Rel2 T    enabl: ON ? on
Rel3 Td   above: 5.00 'C ? 10
Rel3 Td   below: 0.00 'C ? -
Rel3 Td   hyst : 1.00 'C ? 1
Rel3 Td   enabl: OFF ? on
Rel4 Td   above: 0.00 'C ? 20
Rel4 Td   below: 0.00 'C ? -
Rel4 Td   hyst : 0.00 'C ? 2
Rel4 Td   enabl: OFF ? on
>
```

Example of using relay 1 as fault alarm: selecting relay 1 to follow the fault status and relay 2 to follow the temperature measurement.

```
>rsel fault t
Rel1 FAUL above: -
Rel1 FAUL below: -
Rel1 FAUL hyst : -
Rel1 FAUL enabl: ON ?
Rel2 T    above: 0.00 'C ? 30
Rel2 T    below: 0.00 'C ? -
Rel2 T    hyst : 0.00 'C ? 2
Rel2 T    enabl: OFF ? ON
```

Testing the Operation of Relays

Testing activates relays even if they are disabled.

Use the module push buttons to activate the relays. Press the **REL 1** or **REL 2** button to activate the corresponding relay.

Use the display/keypad to test the operation of relays.

1. Open the **MAIN MENU** by pressing any of the arrow buttons.
2. Select **System**, press the ► arrow button.
3. Select **Diagnostics**, press the ► arrow button.
4. Select **Relay tests**, press the ► arrow button.

5. Select **Invert relay 1...** , press **TEST**. Now the selected relay output is forced to opposite state. Press **OK** to return to normal operation.
6. Press **EXIT** to return to the basic display.

RTEST

Use the serial line command **RTEST** [ON/OFF ON/OFF] to test the operation of the relays.

Example: Testing all four relays.

```
>rtest on on on on
  ON ON ON ON
>
>rtest off off off off
  OFF OFF OFF OFF
```

Enter the command **RTEST** to stop testing.

Operation of the RS-485 Module

RS-485 interface enables communication between RS-485 network and DMT340 transmitter. The RS-485 interface is isolated and offers a maximum communications rate of 115 200 bits/s. (For maximum bus length of 1 km, use bit rate 19200 b/s or less.)

When selecting an RS-232-RS-485 converters for the network, avoid self powered converters as they don't necessarily support the needed power consumption.

Echo function shall be always disabled (OFF) when using the 2-wire connection. When using the 4-wire connection you can disable/enable the echo setting.

NOTE

User port on DMT340 main board cannot be used and connected when RS-485 module is connected. Service port is operating normally.

Networking Commands

Set the RS-422/485 interface by using the following commands. The other serial line commands are presented in section List of Serial Commands on page 94.

RS-485 configuration commands **SERI**; **ECHO**; **SMODE**; **INTV** and **ADDR** may be entered by using either the service port or RS-422/485 port. Also the optional display/keypad can be used, see section Display/Keypad on page 71.

SDELAY

With the **SDELAY** command you can set delay (response time) for user port (RS232 or RS485), or view currently set delay value. Value corresponds to tens of milliseconds (e.g. 5 = 0.050s minimum answer delay). The value can be set between 0...254.

Example:

```
>sdelay
Serial delay   : 0 ? 10
```

```
>sdelay
Serial delay   : 10 ?
```

SERI

Use the **SERI** [*b p d s*] command to input RS-485 bus settings.

where

b = baud rate (300, 600, 1200, 2400, 4800, 9600, 19200, 38400, 57600, 115200)
p = parity (n = none, e = even, o = odd)
d = data bits (7 or 8)
s = stop bits (1 or 2)

ECHO

Use the **ECHO** [*x*] command to enable/disable echo of characters received over the serial line.

where

x = ON/OFF (default = OFF)

When using 2-wire connection, echo must be always disabled.

SMODE

Use the **SMODE** [*xxxx*] command to set the serial interface mode.

where

xxxx = STOP, RUN or POLL

where

In STOP mode: measurements output only by command, all commands can be used

In RUN mode: outputting automatically, only command S can be used to stop, see command INTV below.

In POLL mode: measurements output only with command SEND. See command ADDR below.

When several transmitters are connected to the same line, each transmitter must be entered an own address in the initial configuration, and POLL mode must be used.

INTV

Use the **INTV** [*n xxx*] command to set the RUN mode output interval.

where

n = 1 - 255
xxx = S, MIN or H

Sets the RUN mode output interval. The time interval is used only when the RUN mode is active. For example, the output interval is set to 10 minutes.

```
>INTV 10 min
Output intrv. : 10 min
>
```

Setting RUN output interval to zero enables the fastest possible output rate.

ADDR

Addresses are required only for POLL mode (see serial line command SMODE on page 105). Use the **ADDR** [*aa*] command to input the RS-485 transmitter address.

where

aa = address (0 ... 99) (default = 0)

Example: the transmitter is entered the address 99.

```
>ADDR <cr>
Address : 2 ? 99
```

OPEN [*nn*]

When all transmitters on the RS-485 bus are in POLL mode the **OPEN** [*nn*] command sets one transmitter temporarily to STOP mode so that other commands can be entered.

where

nn = address of the transmitter (0 ... 99)

CLOSE

The **CLOSE** command switches the transmitter back to the POLL mode.

Example:

```
>OPEN 2 (opens the line to transmitter 2, other  
transmitters stay in POLL mode)  
>CRH(for example, calibration performed)  
...  
>CLOSE (line closed)
```

Sensor Functions

AutoCal

To obtain the best possible accuracy in measurements taken in dry environments, DMT340 has a built-in AutoCal. During the AutoCal, DMT340 adjusts the dry-end reading to correspond to the calibrated values. This is a unique and patented method to avoid errors in accuracy when monitoring low dewpoints.

The AutoCal is carried out if the following criteria for the measurement environment are fulfilled:

- Relative humidity must be <2 % (DMT340 M-sensor).
- Temperature must be 0<T<80 °C (or sensor warming activated for -40<T<80 °C).
- Humidity environment must be stable. The maximum change in the dewpoint can be 2 °C in 15 seconds.

NOTE

AutoCal cannot operate if the above conditions are not fulfilled.

If the adjustment in the AutoCal reaches a preset maximum value or if the AutoCal correction fails, for example, because of unstable conditions, a new AutoCal will take place later (if the automatic AutoCal is turned on).

Automatic AutoCal

As a default, the automatic AutoCal in DMT340 is turned on. In this mode, the calibration takes place automatically if the dewpoint or temperature changes significantly, typically more than 10 °C. However, if there are no changes in the conditions, the AutoCal will take place repeatedly after one hour from the last AutoCal.

Manual AutoCal

To check that AutoCal has taken place for obtaining the most accurate measurement in a very dry environment, you can perform Autocal manually before measuring as follows:

1. Open the **MAIN MENU** by pressing any of the arrow buttons.
2. Select **Measuring**, press the ► arrow button.
3. Select **Manual AutoCal**, press the ► arrow button.
4. Press **START** to start AutoCal. If the AutoCal conditions are not fulfilled, a note appears on the display informing that the calibration cannot be made.

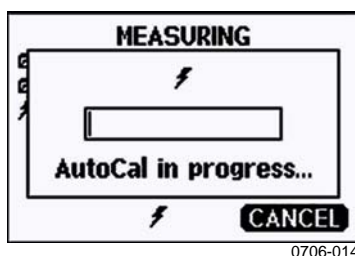


Figure 70 Following AutoCal on the Display

5. Press **EXIT** to return to the basic display.

You can also perform Autocal manually by using the pressure set and check buttons on the motherboard. By pressing both buttons simultaneously, Autocal is performed, see Figure 64 on page 102.

Sensor Purge

Sensor Purge is a feature available for the DMT340 M-sensor. The Purge should be carried out to achieve the shortest response times and the best long-term stability.

Sensor Purge is an automatic procedure, in which the sensor is dried. Thus, the sensor will response very fast when installing the probe from an ambient to a dry gas. This will also ensure together with AutoCal the best measurement accuracy and long-term stability.

As a default, the interval Purge and power-up Purge are turned on automatically in DMT340. It is recommended not to turn them off. The automatic sensor Purge can also be started manually. If enabled, power-up Purge will start always about 10 seconds after reset. If the power is continuously turned on in DMT340, the automatic sensor Purge will be performed at an interval of 24 hours.

Manual Sensor Purge

The Purge should be performed always before calibration (see the calibration instructions) or when there is a reason to believe that a sensor has become exposed to an interfering chemical.

1. Open the **MAIN MENU** by pressing any of the arrow buttons.
2. Select **Measuring**, press the ► arrow button.
3. Select **Purge**, press the ► arrow button.
4. Select Manual Purge using the arrow buttons.

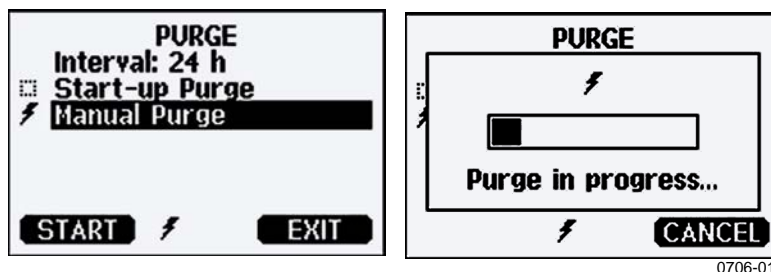


Figure 71 Performing Manual Purge

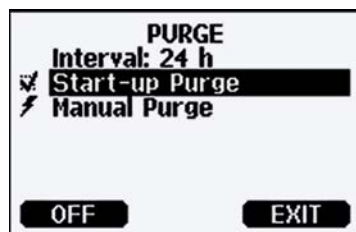
5. Press **START** to start manual Purge. Press **CANCEL** to interrupt the manual sensor Purge.
6. Press **EXIT** to return to the basic display.

Interval Purge

When the DMT340 leaves the factory the interval Purge takes place repeatedly with the time intervals set in the factory. The user can change the interval in which the purge takes place by using serial commands or with the optional display/keypad. This can be needed if the measuring environment contains high concentrations of interfering chemicals.

Power-up Purge

Purge can be set to start within 10 seconds from the power-up of the device. This function can be enabled by using the serial line or the display/keypad.



0706-016

Figure 72 Activating Start-up Purge

1. Press **ON** to activate Start-up Purge. Pressing **OFF** disables the function.
2. Press **EXIT** to return to the basic display.

PUR

With the **PUR** command you can enable or disable interval and power-up Purge and set the interval for interval purge. The default purge interval is 24 hours.

It is not recommended to change these settings.

Type **PUR** and press **ENTER** to proceed.

Example:

```
>pur
Interval Purge : OFF ?
Interval       : 1440 min ?
Power-up Purge : OFF ?
Duration       : 60 s ?
Settling       : 240 s ?
Temperature    : 180 'C ?
Temp. diff.    : 0.5 'C ?
Trigger Purge  : OFF ?
RH trigger     : 0 %RH ?
>
```

NOTE

When Purge in power up is enabled, wait about 5 min after power up before taking measurements. The output channels are locked for the first operation minutes to the initial measured values.

PURGE

Use the command **PURGE** to start the manual Purge. Enter **PURGE** to start Purge immediately.

Example:

```
>purge  
Purge started, press any key to abort.  
>
```

The prompt '>' appears when the heating period is over. However, the transmitter outputs are locked to values measured before purge until the settling time is over.

Sensor Warming

DMT340 contains a sensor warming function, that is, when humidity reaches a set limit (default: 70%RH), sensor warming operation is activated automatically. Sensor warming continues as long as the humidity is above that limit.

When the warming starts, the sensor operation indicator is displayed on the optional display and relays configured as "online status" (if any) will be released. Warming does not affect $T_{d/f}$, $T_{d/f \text{ atm}}$, T_d , $T_{d \text{ atm}}$, x , H₂O and P_w quantities, all others will be frozen.

CHAPTER 5

MAINTENANCE

Periodic Maintenance

Cleaning

Clean the transmitter enclosure with a soft, lint-free cloth moistened with mild detergent.

Changing the Probe Filter

1. Turn the filter counter-clockwise to loosen it.
2. Remove the filter from the probe. Be careful not to touch the sensor with the filter. Without the filter in place, the sensor is easily damaged – handle the probe carefully.
3. Install a new filter on the probe. When using the stainless steel filter, take care to tighten the filter properly (recommended force 5 Nm).

New filters can be ordered from Vaisala, see Available Options and Accessories Table 32 on page 158.

Calibration and Adjustment

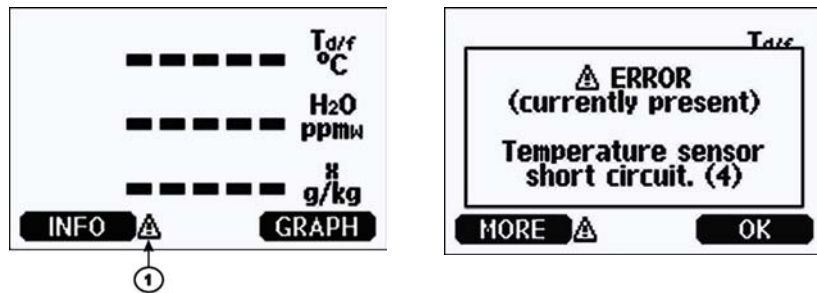
The DMT340 is fully calibrated and adjusted as shipped from factory. Typical calibration interval is two years. Depending on the application it may be good to make more frequent checks. Calibration must be done always when there is a reason to believe that the device is not within the accuracy specifications.

It is recommended that calibration and adjustment should be carried out in Vaisala Service Centers (contact information on page 139).

Error States

In error state the quantity is not measured and the output is shown as follows:

- analog channel outputs 0 mA or 0 V (you can use the serial line command **AERR** or display/keypad to change this fault indication value, see section Analog Output Fault Indication Setting on page 119)
- the serial port outputs stars (***)
- the cover LED is blinking
- optional display: error indicator is lit.
- The error indicator disappears when the error state is over and you have checked the error message. Press the **INFO** button to display the error message.



0706-017

Figure 73 Error Indicator and Error Message

Number refers to Figure 73 above:

- 1 = Error Indicator

You can also check the error message via the serial interface by using the command **ERRS**. In case of constant error, please contact the Vaisala Service Centers (contact information on page 139).

Table 30 Error Messages

Error Code	Error Message	Action
0	Humidity sensor measurement malfunction.	Check the integrity of the humidity probe and the probe cable. Clean the probe from dirt, water, ice or other contaminants.
1	Humidity sensor short circuit	Check the integrity of the humidity probe and the probe cable. Clean the probe from dirt, water, ice or other contaminants.
2	Humidity sensor open circuit	Check the integrity of the humidity probe and the probe cable.
3	Temperature sensor open circuit.	Check the integrity of the humidity probe and the probe cable.
4	Temperature sensor short circuit.	Check the integrity of the humidity probe and the probe cable. Clean the probe from dirt water, ice or other contaminants.
5	Temperature measurement malfunction	Check the integrity of the humidity probe and the probe cable. Clean the probe from dirt water, ice or other contaminants.
6	Temperature sensor current leak.	Check the integrity of the humidity probe and the probe cables. Clean the probes from dirt, water, ice or other contaminants.
7	Internal ADC read error	Internal transmitter failure. Remove the transmitter and return the faulty unit to Vaisala Service.
9	Checksum error in the internal configuration memory	Internal transmitter failure. Remove the transmitter and return the faulty unit to Vaisala Service.
10	Internal EEPROM read error	Internal transmitter failure. Remove the transmitter and return the faulty unit to Vaisala Service.
11	Internal EEPROM write error	Internal transmitter failure. Remove the transmitter and return the faulty unit to Vaisala Service.
12 ... 13	Add-on module 1 (or 2) connection failure	Turn off the power and check the module connection. Turn on the power.
14	Device internal temperature out of range	Ensure that the operating temperature is within the valid range.
15	Operating voltage out of range	Ensure that the operating voltage is within the valid range.
18	Internal ADC reference voltage out of range	Internal transmitter failure. Remove the transmitter and return the faulty unit to Vaisala Service.
19	Internal analog output reference voltage out of range	Internal transmitter failure. Remove the transmitter and return the faulty unit to Vaisala Service.
20 ... 23	Configuration switches for analog output 1/2/3 set incorrectly	Check and re-set the switches, see Analog Output Settings on page 114.
24 ... 25	EEPROM failure on add-on module 1 (or 2)	Disconnect the power and check the analog output module connection.
26	Communication module installed in incorrect add-on module slot	Disconnect the power and change the communication module to another module slot.
28 ... 29	Unknown/incompatible module installed in add-on module slot 1(or 2)	Ensure that the module is compatible with the DMT340.

Error Code	Error Message	Action
30	Internal analog voltage out of range	Internal transmitter failure. Remove the transmitter and return the faulty unit to Vaisala Service.
31	Internal system voltage out of range	Internal transmitter failure. Remove the transmitter and return the faulty unit to Vaisala Service.

Technical Support

For technical questions, contact the Vaisala technical support:

E-mail helpdesk@vaisala.com
Fax +358 9 8949 2790

Return Instructions

If the product needs repair, please follow the instructions below to speed up the process and to avoid extra costs to you.

1. Read the section Warranty on page 18.
2. Contact a Vaisala Service Center or a local Vaisala representative. The latest contact information and instructions are available from www.vaisala.com. Addresses of the Service Centers are provided in section Vaisala Service Centers on page 139.

Please have the following information on hand:

- serial number of the unit
 - date and place of purchase or last calibration
 - description of the fault
 - circumstances in which the fault occurs/occurred
 - name and contact information of a technically competent person who can provide further information on the problem
3. Pack the faulty product in a strong box of adequate size, with proper cushioning material to avoid damage.
 4. Include the information specified in step 2 in the box with the faulty product. Also include a detailed return address.
 5. Ship the box to the address specified by your Vaisala contact.

Vaisala Service Centers

Vaisala Service Centers perform calibrations and adjustments as well as repair and spare part services. See contact information below.

Vaisala Service Centers also offer accredited calibrations, maintenance contracts, and a calibration reminder program. Do not hesitate to contact them to get further information.

NORTH AMERICAN SERVICE CENTER

Vaisala Inc., 10-D Gill Street, Woburn, MA 01801-1068, USA.

Phone: +1 781 933 4500, Fax: +1 781 933 8029

E-mail: us-customersupport@vaisala.com

EUROPEAN SERVICE CENTER

Vaisala Instruments Service, Vanha Nurmijärventie 21 FIN-01670 Vantaa, FINLAND.

Phone: +358 9 8949 2658, Fax: +358 9 8949 2295

E-mail: instruments.service@vaisala.com

TOKYO SERVICE CENTER

Vaisala KK, 42 Kagurazaka 6-Chome, Shinjuku-Ku, Tokyo 162-0825, JAPAN.

Phone: +81 3 3266 9617, Fax: +81 3 3266 9655

E-mail: aftersales.asia@vaisala.com

BEIJING SERVICE CENTER

Vaisala China Ltd., Floor 2 EAS Building, No. 21 Xiao Yun Road, Dongsanhuan Beilu, Chaoyang District, Beijing, P.R. CHINA 100027.

Phone: +86 10 8526 1199, Fax: +86 10 8526 1155

E-mail: china.service@vaisala.com

www.vaisala.com

This page intentionally left blank.

CHAPTER 6

CALIBRATION AND ADJUSTMENT

Calibration

DMT340 is fully calibrated and adjusted as shipped from the factory. The typical calibration interval is two years. Calibration must always be done when there is reason to believe that the device is not within the accuracy specifications.

It is recommended that the device should be sent to Vaisala Service Centers for calibration and adjustment, see contact information on page 139.

(Vaisala hand-held dewpoint meter DM70 can also be used).

User Calibration and Adjustment

When adjusting DMT340, the reading is changed to correspond to the reference value. After the adjustment, the original calibration certificate shipped with the product is no longer valid.

NOTE

Dewpoint calibration should be carried out in Vaisala or in other laboratory conditions.

The reference condition of the dewpoint must be traceable to the appropriate standards. The user adjustment requires a stable humidity generator capable of producing the required humidities and a calibrated reference dewpoint meter. For adjustment, the probe and the reference dewpoint meter are connected to the humidity generator output, the reference condition is adjusted and let to stabilize. After the probe and the reference dewpoint meter are stabilized, the DMT340 reading is adjusted to correspond the reference value.

For the adjustment of DMT340 equipped with DRYCAP[®] 180M-sensor, the reference low dewpoint temperature should be between -57 °C and -67 °C (-70.6 °F ... -88.6 °F) in the gas temperature of approx. +20 °C.

To ensure the correctness of the adjustment, the reference dewpoint meter must be calibrated at a recognized laboratory with a known uncertainty and traceability to national or international standards.

To see when the adjustment was made last, select **Adjustment information** (with keypad **INFO** button in the main view, or with serial commands **?** and **CDATE**) or check the date from the **Device information**. See section Device Information on page 107.

Opening and Closing the Adjustment Mode

Open the transmitter cover. The buttons needed in the adjustment are on the left-hand side of the motherboard, see Figure 2 on page 22.

Press the **ADJ** button to enable the adjustment mode. The indicator led indicates the adjustment availability.

Table 31 Indicator Led Functions

Indicator Led Function	Description
LED off	adjustment locked
LED on	adjustment available
LED blinking evenly	measurement not stabilized
LED blinking with short pulses	performing Purge/Autocal

Press the **ADJ** key again to disable the adjustment mode.

NOTE

Fixed pressure compensation of 1013.25 hPa is used when in adjustment mode. Adjustments should be performed at ambient pressures.

Adjustment Information

These data are shown on the device information. (see section Device Information on page 107. Use the display/keypad to feed the adjustment information.

1. If you are not in the adjustment menu, press the **ADJ** button on the motherboard to open the **ADJUSTMENT MENU**.
2. Press the **▶** arrow button to select **Adjustment info**.
3. Select **Date**, press **SET**. Enter the date by using the arrow buttons. Press **OK**.
4. Select **i**, press **CHANGE**. Enter information text including 17 characters at maximum by using the arrow buttons. Press **OK**.
5. Press **EXIT** to return to the basic display.

CTEXT and CDATE

Use the serial line command **CTEXT** to enter text in to the adjustment information field. First press the adjustment button on the motherboard inside the transmitter.

Example:

```
>ctext
Adjust. info   : (not set) ? -60°C IKØ
>
```

Use the command **CDATE** to input date to the adjustment information field. Set the adjustment date in format YYYY-MM-DD.

Example:

```
>cdate
Adjust. date   : (not set) ? 2004-05-21
>
```

Press the adjustment button on the motherboard inside the transmitter to disable the adjustment function.

Adjusting Dewpoint $T_{d/f}$

Before adjusting dewpoint, first carry out the two-point relative humidity adjustment, which will ensure the basic adjustment level. After that, continue with the actual $T_{d/f}$ adjustment.

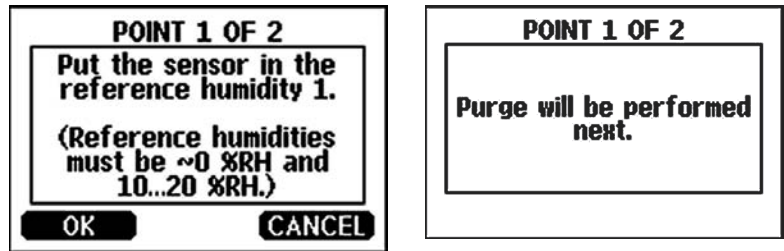
Two-point Relative Humidity Adjustment using Display/Keypad

For DMT340 M-sensor, the humidity references of 0 % (for example Nitrogen) and 10 ... 20 % are required.

NOTE For the DMT340 M-sensor both reference humidities must be below 20% RH.

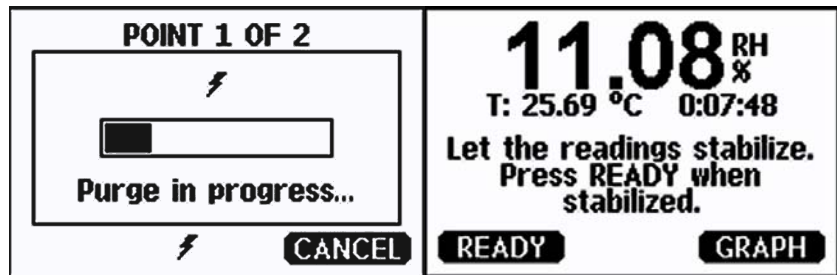
To make the adjustment, follow the instructions below. Use preferably the display keypad and let the display information guide you through the two-point RH adjustment process.

1. Press the Adjustment button **ADJ** on the motherboard inside the transmitter to enable adjustments.
2. Select **Adjust Td measurement**, press the **▶** arrow button.
3. Select **2-point RH adjustment**, press **Start**. Press **OK** to perform purge of point 1.



0706-018

Figure 74 Starting the Adjustment



0706-019

Figure 75 Performing Purge

4. Press GRAPH to follow the RH and T stabilization on graphical display:

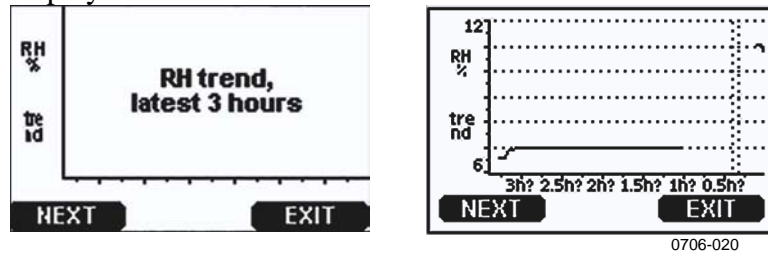


Figure 76 Following the RH Trend on Graphical Display

5. Follow the instructions on the display. Use the arrow buttons to enter the actual humidity of the reference used.

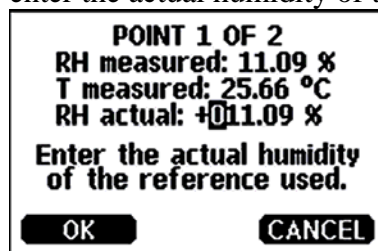


Figure 77 Ending Adjustment of Point 1

6. Continue adjustment of point 2 as instructed by the display:

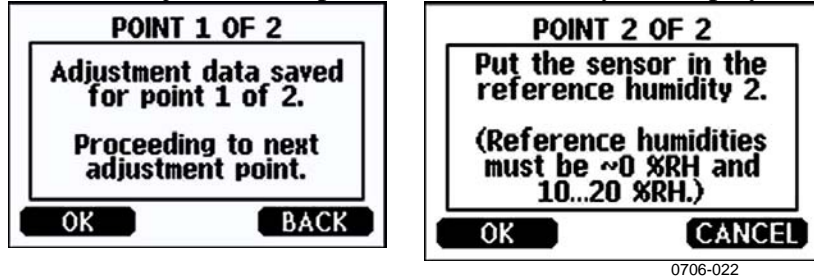


Figure 78 Proceeding to Adjustment of Point 2

7. Follow the purge progress and wait for stabilization of Point 2 as in Figure 75 on page 144. Press **READY** when stabilized.
8. Use the arrow buttons to enter the actual humidity of the reference used. Follow the instructions on the display to complete the RH adjustment.

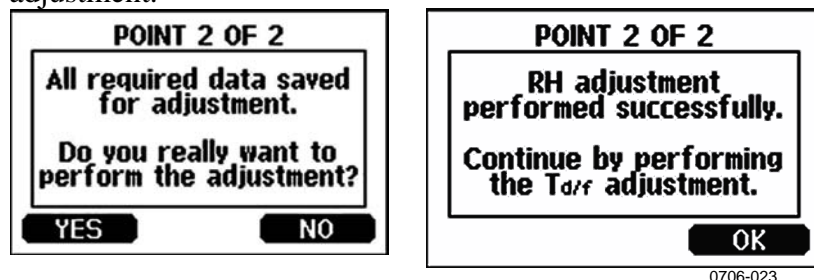


Figure 79 Completing Adjustment of Point 2

Two-point Relative Humidity Adjustment Using Serial Line

Perform purge before adjustment. Use the **PURGE** command. See section PURGE on page 133.

Then press adjustment button on the motherboard inside the transmitter to enable adjustments

Perform adjustment with the **FCRH** command. Wait at least 1 hour before adjusting each point.

FCRH

Example:

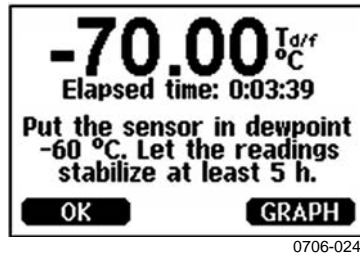
```
>fcrh
RH :      3.90  Ref1 ? 0
Press any key when ready ...
RH :      3.90  Ref2 ? 15
OK
>
```

One-point Dewpoint Adjustment Using Display/Keypad

Before proceeding with the $T_{d/f}$ adjustment you must perform the RH adjustment. For DMT340 M-sensor, the reference temperature of the dewpoint should be $-57\text{ }^{\circ}\text{C}$... $-67\text{ }^{\circ}\text{C}$ ($-70.6\text{ }^{\circ}\text{F}$... $-88.6\text{ }^{\circ}\text{F}$).

Use preferably the display/keypad to perform one-point dewpoint $T_{d/f}$ adjustment. To adjust the dewpoint, follow the instructions below:

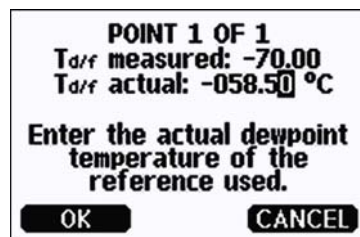
1. Press the **ADJ** button on the motherboard to open the **ADJUSTMENT MENU**.
2. Press the **▶** arrow button to select **Adjust T_d measurement**.
3. Select by pressing **1-point T_d adjustment**. Press **START** to start adjusting.
4. Leave the sensor to stabilize for at least 5 hours. Follow the instructions on the display.



0706-024

Figure 80 Following Stabilization

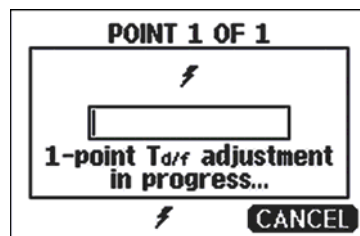
5. Purge will be performed next. Follow the purge progress on the display.
6. Let the sensor stabilize for at least 1 hour after the purge before proceeding with the adjustment. Press **READY** when stabilized.



0706-025

Figure 81 Proceeding with T_{d/f} Adjustment

7. Enter the actual reference frostpoint temperature.
8. The transmitter performs T_{d/f} adjustment. This may take up to one minute.



0706-026

Figure 82 Completing T_{d/f} Adjustment

9. After adjustment wait for sensor to cool down which will take 2 minutes at the maximum. The adjustment is now completed.

NOTE

Several AutoCals can be necessary after this adjustment has been performed until the transmitter reaches full accuracy.

One-point Dewpoint Adjustment Using Serial Line

1. Let the sensor stabilize for at least 5 hours.
2. Use the command **PURGE** to start the manual Purge. See section PURGE on page 133.
3. Wait at least 1 hour. Then press adjustment button on the motherboard inside the transmitter to enable adjustments.
4. Use the **IKØ** command to perform the adjustment.

IKØ

Example:

```
>ik0
Tf :    -19.74 'C  Ref ? -60
Wait for AutoCal data...OK
>
```

5. Press the adjustment button on the motherboard inside the transmitter to disable adjustments.

NOTE	Several AutoCals can be necessary after this adjustment has been performed until the transmitter reaches full accuracy.
-------------	---

Adjusting Temperature

Adjusting Temperature Using Display/Keypad

Use preferably the display/keypad to adjust the temperature.

1. Press the **ADJ** button on the motherboard to open the **ADJUSTMENT MENU**
2. Press the **▶** arrow button to select **Adjust T measurement**.
3. Select by pressing **1-point or 2-point adjustment**. Press **START** to start adjusting.
4. Remove the filter from the probe and insert the probe into a reference temperature.
5. Wait at least 30 minutes for the sensor to stabilize. Follow the stabilization from the **GRAPH** display.
6. Press **READY** when stabilized. Enter the reference temperature by using the arrow buttons.

When carrying out the 2-point adjustment proceed to the next adjustment point and carry out the procedure as described in the previous item. Note that the difference between the two temperature references must be at least 30 °C.

7. Press **OK**. Press **YES** to confirm the adjustment.
8. Press **OK** to return to the adjustment menu
9. Press **EXIT** to return to the basic display.

Adjusting Temperature Using Serial Line

CT

Use the serial line command **CT** to adjust the temperature.

1. Press the **ADJ** button on the motherboard to open the adjustment mode.
2. Remove the probe filter and insert the probe into the reference temperature.
3. Use the command **CT** and press **ENTER**.

Type **C** and press **ENTER** to check if the reading is stabilized

4. Let the reading stabilize, enter the reference temperature after the question mark and press **ENTER** three times.

When having another reference temperature (2-point calibration) press **ENTER** twice and insert the probe to the second reference. When the reading is stabilized, enter the second reference temperature after the question mark and press **ENTER**. Please, note that the difference between the two temperature references must be at least 30 °C.

Example (1-point adjustment):

```
>ct
T : 16.06 Ref1 ? c
T : 16.06 Ref1 ? c
T : 16.06 Ref1 ? c
T : 16.06 Ref1 ? c
T : 16.06 Ref1 ? c
T : 16.06 Ref1 ? 16.0
Press any key when ready ...
T : 16.06 Ref2 ?
OK
>
```

OK indicates that the calibration has succeeded.

5. Press the **ADJ** button on the motherboard to close the adjustment mode.
6. Take the probe out of the reference conditions and replace the filter.

Adjusting Analog Outputs

In the analog output calibration the analog output is forced to the following values:

current output = 2 mA and 18 mA
voltage output = 10 % and 90 % of the range

Connect DMT340 to a calibrated current/voltage meter in order to measure either current or voltage depending on the selected output type. Use the display/keypad or the serial line to do this.

Adjusting Analog Outputs using Display/Keypad

1. Press the ADJ button on the motherboard to open the **ADJUSTMENT MENU**.
2. Press the ► arrow button to select **Adjust analog outputs**.
3. Select the output to be adjusted **Adjust analog output 1/2/3**, press **START**.
4. Measure the first analog output value with a multimeter. Enter the measured value by using the arrow buttons. Press **OK**.
5. Measure the second analog output value with a multimeter. Enter the measured value by using the arrow buttons. Press **OK**.
6. Press **OK** to return to the adjustment menu.
7. Press **EXIT** to close the adjustment and to return to the basic display.

Adjusting Analog Outputs using Serial Line

ACAL

Use the serial line to perform the analog output adjustment. Use the **ACAL** command and enter the multimeter reading.

Example (current outputs):

```
>ACAL
Ch1   I1   (mA) ?   2.046
Ch1   I2   (mA) ?   18.087
Ch2   I1   (mA) ?   2.036
Ch2   I2   (mA) ?   18.071
>
```

Press the adjustment button on the motherboard inside the transmitter again to disable the adjustment function.

CHAPTER 7

TECHNICAL DATA

Specifications

Performance

Measured variables

Dewpoint

Sensor Vaisala DRYCAP®180M

Measurement range -70 ... +80 °C (-94 ... +176 °F) Td
 For continuous use -70 ... +45 °C (-94 ... +113 °F) Td

Accuracy

up to 20 bar / 290 psia see the accuracy graph
 20 ... 50 bar / 290 ... 725 psia +1 °C Td

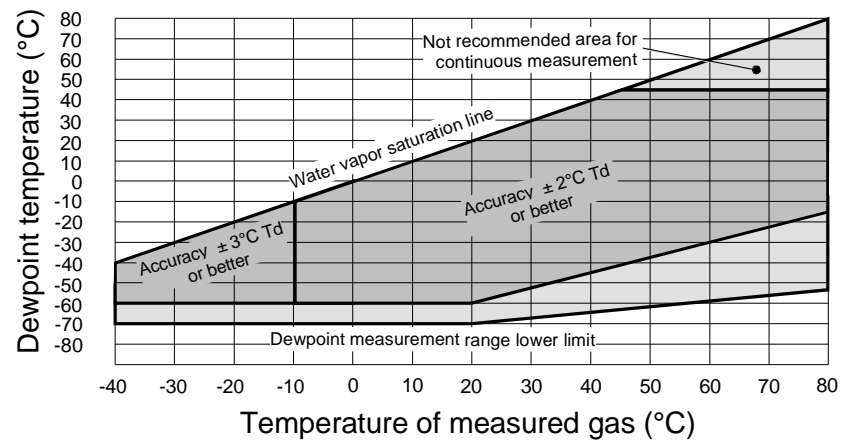


Figure 83 Dewpoint Accuracy Graph

Response time 63% [90%] at +20°C gas temperature	
Flow rate 1 l/min and 1 bar pressure	
-60 -> -20 °C Td (-76 -> -4 °F Td)	5s [10s]
-20 -> -60 °C Td (-4 -> -76 °F Td)	45s [10min]
Temperature	
Measurement range	0 ... +80 °C (+32 ... +176 °F)
Accuracy	±0.2°C at room temperature
Temperature sensor	Pt 100 IEC 751 1/3 class B
Relative humidity	
Measurement range	0..70%RH
Accuracy (RH <10 %RH, at + 20 °C)	±0.004 %RH + 20% of reading
ppmv (dry)	
Measurement range (typical)	10 ... 2500 ppm
Accuracy (at + 20 °C, 1 bar)	1 ppm + 20% of reading
Other measurement parameters available (depends on model)	
mixing ratio, absolute humidity, pressure dewpoint calculated to 1 bar,	
temperature difference (T-Td), water vapor pressure	

Operating Environment

Mechanical durability for transmitter body with display Storage temperature range	Up to +180 °C (+356 °F) -40 ... +60 °C (-40 ... +140 °F) 0 ... +60 °C (32 ... +140 °F) -55 ... +80 °C (-67 ... +176 °F)
Pressure and temperature range for probes	See probe specifications
Measured gases	non corrosive
Complies with EMC standard EN61326-1:1997 + Industrial Environment	Am1:1998 + Am2:2001

Inputs and Outputs

Operating voltage with optional power supply module	10 ... 35 VDC, 24 VAC 100 ... 240 VAC 50/60 Hz
Default start-up time after sensor Purge and Autocal	About 6 min
Start-up time after power-up	3 s
Power consumption @ 20 °C (Uin 24VDC)	
RS-232	max 25 mA
Uout 2 x 0 ... 1V / 0 ... 5V / 0 ... 10V	max 25 mA
Iout 2 x 0 ... 20 mA	max 60 mA
display and backlight	+ 20 mA
during sensor purge	+ 110 mA max
Analog outputs (2 standard, 3rd optional)	
current output	0 ... 20 mA, 4 ... 20 mA
voltage output	0 ... 1 V, 0 ... 5 V, 0 ... 10 V
Accuracy of analog outputs at 20 °C	± 0.05 % full scale
Temperature dependence of the analog outputs	± 0.005 %/°C full scale
External loads	
current outputs	RL < 500 ohm
0 ... 1V output	RL > 2 kohm
0 ... 5V and 0 ... 10V outputs	RL > 10 kohm

Max wire size	0.5 mm ² (AWG 20) stranded wires recommended
Digital outputs	RS-232, RS-485 (optional)
Relay outputs (optional)	0.5 A, 250 VAC, SPDT
Display (optional)	LCD with backlight, graphic trend display
Menu languages	English, French, Spanish, German, Japanese, Russian, Swedish, Finnish, Chinese

Mechanics

Cable bushing	M20x1.5 For cable diameter 8 ... 11mm/0.31..0.43"
Conduit fitting	1/2"NPT
User cable connector (optional)	M12 series 8- pin (male)
option 1	with plug (female) with 5 m / 16.4 ft black cable
option 2	with plug (female) with screw terminals
Probe cable diameter	5.5 mm
Probe cable lengths	2 m, 5 m or 10 m
Probe tube material	AISI 316L
Housing material	G-AlSi 10 Mg (DIN 1725)
Housing classification	IP 65 (NEMA 4X)
Housing weight	1.2 kg

Probe Specifications

Operating temperatures for probes*	-40 ... +80 °C (-40...+176 °F)
Pressure ranges for probes	
DMT342	0 ... 50 bar / 0 ... 725 psia
DMT344	0 ... 50 bar / 0 ... 725 psia
DMT347	0 ... 10 bar / 0 ... 145 psia
DMT348	0 ... 40 bar / 0 ... 580 psia
with Ball Valve	0 ... 20 bar / 290 psia
* Mechanical durability	up to +180 °C (+356 °F)

Technical Specifications of Optional Modules

Power Supply Module

Operating voltage	100 ... 240 VAC 50/60 Hz
Connections	screw terminals for 0.5 ... 2.5 mm ² wire (AWG 20 ... 14)
Bushing	for 8 ... 11 mm diameter cable
Operating temperature	-40 ... +60 °C (-40 ... +140 °F)
Storage temperature	-40 ... +70°C (-40 ... +158 °F)
UL file number	E249387

Analog Output Module

Outputs	0 ... 20 mA, 4 ... 20 mA, 0 ... 1 V, 0 ... 5 V, 0 ... 10 V
Operating temperature range	-40 ... +60 °C (-40 ... +140 °F)
Power consumption	
U_{out} 0 ... 1 V	max 30 mA
U_{out} 0 ... 5V/0 ... 10V	max 30 mA
I_{out} 0 ... 20 mA	max 60 mA
External loads	
current outputs	$R_L < 500$ ohms
Max load + cable loop resistance	540 ohms
01 V	$R_L > 2000$ ohms
0 ... 5 V and 0 ... 10 V	$R_L > 10\,000$ ohms
Storage temperature range	-55 ... +80 °C (-67 ... +176 °F)
3-pole screw terminal	
Max wire size	1.5 mm ² (AWG16)

Relay Module

Operating temperature range	-40 ... +60 °C (-40 ... +140 °F)
Operating pressure range	500 ... 1300 mmHg
Power consumption @24 V	max 30 mA
Contacts SPDT (change over), for example,	
Contact arrangement Form C	
I_{max}	0.5 A 250 VAC
I_{max}	0.5 A 30 VDC
Safety standard for the relay component	IEC60950 UL1950
Storage temperature range	-55 ... +80 °C (-67 ... +176 °F)
3-pole screw terminal / relay	
Max wire size	2.5 mm ² (AWG14)

RS-485 Module

Operating temperature range	-40 ... +60 °C (-40 ... +140 °F)
Operating modes	2-wire (1-pair) half duplex 4-wire (2-pair) full duplex
Operating speed max	115.2 kbaud
Bus isolation	300VDC
Power consumption @ 24V	max 50 mA
External loads standard loads	32 RL > 10kohm
Storage temperature range	-55 ... +80 °C (-67 ... +176 °F)
Max wire size	1.5 mm ² (AWG16)

LAN Interface Module

Operating temperature range	-40 ... +60 °C (-40 ... +140 °F)
Storage temperature range	-40 ... +85 °C (-40 ... +185 °F)
Operating humidity range	5 ... 95 %RH
Power consumption @ 24V	max 60 mA
Ethernet type	10/100Base-T
Connector	RJ45
Supported protocols	Telnet, HTTP
Supported protocols	Telnet

WLAN Interface Module

Operating temperature range	-20 ... +60 °C (-4 ... +140 °F)
Storage temperature range	-40 ... +85 °C (-40 ... +185 °F)
Operating humidity range	5 ... 95 %RH
Power consumption @ 24V	max 80 mA
Supported standards	802.11b
Connector	RP-SMA
Protocols	Telnet
Supported protocols	Telnet, HTTP
Security	WEP 64/128, WPA

Data Logger Module

Operating temperature range	-40 ... +60 °C (-40 ... +140 °F)
Storage temperature range	-55 ... +80 °C (-67 ... +176 °F)
Power consumption @ 24V	max 10 mA
Logged parameters	up to three with trend/min/max values for each
Logging interval	10 s (fixed)
Maximum logging period	4 years 5 months
Logged points	13.7 million points / parameter
Accuracy of the clock	better than ± 2 min/year
Battery lifetime	
at -40 ... +30 °C (-40 ... +86 °F)	7 years
at +30 ... +60 °C (+86 ... +140 °F)	5 years

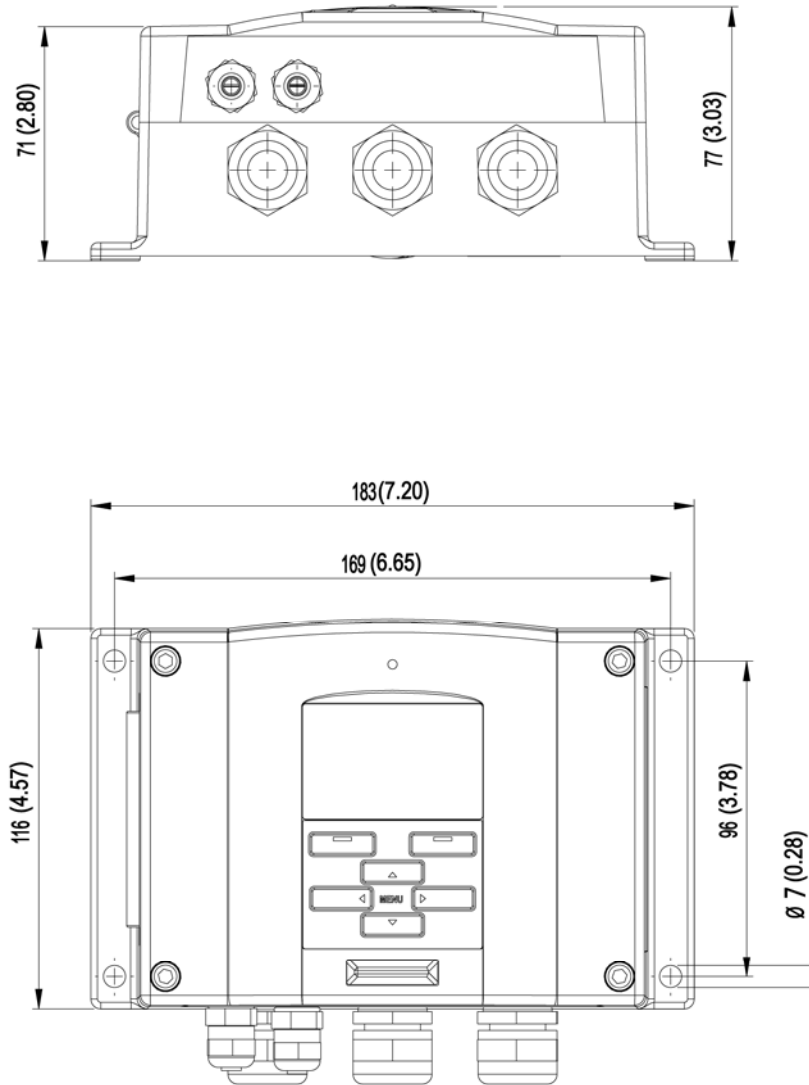
Options and Accessories

Table 32 Options and Accessories

Description	Order Code
MODULES	
Relay module	RELAY-1
Analog Output Module	AOUT-1
Isolated RS485 Module	RS485-1
Power Supply Module	POWER-1
Galvanic Isolation Module	DCDC-1
FILTERS	
Sintered Filter AISI 316L	HM47280SP
Stainless Steel Filter	HM47453SP
TRANSMITTER MOUNTING ACCESSORIES	
Wall Mounting Kit	214829
Installation Kit for Pole or Pipeline	215108
Rain Shield with Installation Kit	215109
DIN Rail Clips with Installation Plate	215094
Panel Mounting frame	216038
PROBE MOUNTING ACCESSORIES	
Sampling Cell with ISO1/2" Female Connectors	DMT242SC
Sampling Cell with ISO1/2" Swagelok Connectors	DMT242SC2
Installation Flange ISO1/2	DM240FA
<i>DMT342</i>	
Sampling Cell for Probe with Flange	HMP302SC
5 pcs O-ring Set Size 14.1x1.6	216026
<i>DMT344</i>	
Fitting Body M22x1.5	17223SP
Fitting Body NPT1/2	17225SP
<i>DMT347</i>	
Swagelok for 12mm Probe 3/8" ISO Thread	SWG12ISO38
Swagelok for 12mm Probe 1/2" ISO Thread	SWG12ISO12
Swagelok for 12mm Probe 1/2" NPT Thread	SWG12NPT12
<i>DMT348</i>	
Fitting Body ISO1/2 Solid Structure (without leak screw)	DRW212076SP
Fitting Body NPT1/2 Solid Structure (without leak screw)	NPTFITBODASP
Fitting Body Set ISO 1/2 (with leak screw)	ISOFITBODASP
Fitting Body Set (ISO 1/2 + NPT 1/2)	THREADSETASP
Ball Valve ISO1/2 with Welding Joint	BALLVALVE-1
Manual Press	HM36854SP
Leaking Screw with Allen Key	216027
Thread Adapter ISO1/2 to NPT1/2	210662SP
Plug Kit (ISO 1/2)	218773
CONNECTION CABLES	
Serial Interface Cable	19446ZZ
USB-RJ45 Serial Interface Cable	219685
MI70 Connection Cable with RJ45 Connector	211339
OUTPUT CABLES	
for 8-pin connector	
Connection Cable 5m 8-pin M12 Female, Black	212142
Female Connector 8-pin M12 with Screw Terminals	212416

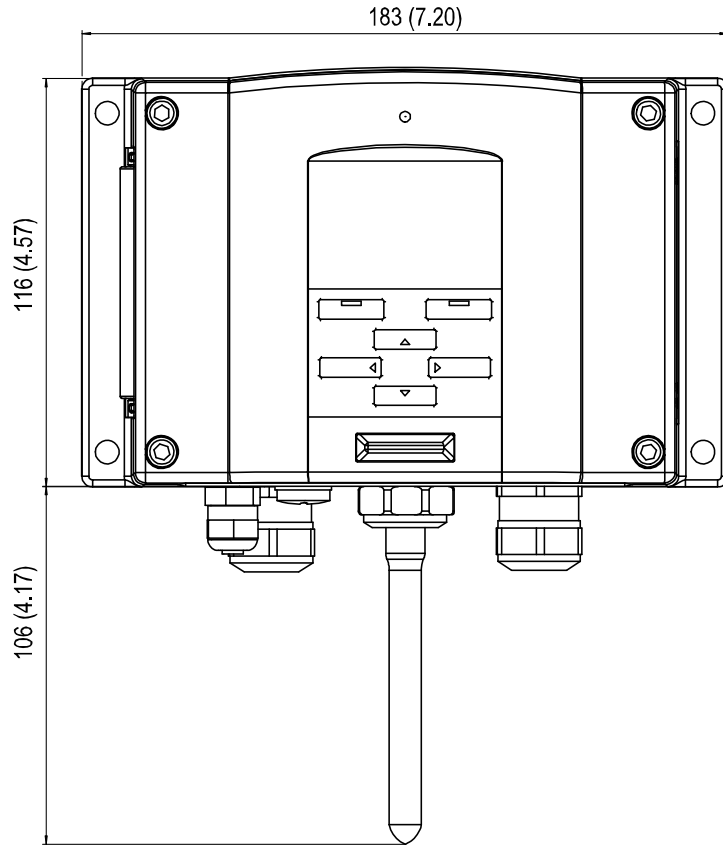
Description	Order Code
Male Connector 8-pin M12 with Cable and Adapter	214806SP
CABLE BUSHINGS	
Cable Gland M20×1.5 for 8 ... 11mm Cable	214728SP
Cable Gland M20×1.5 for 11 ... 14mm Cable	214729
Conduit Fitting M20×1.5 for NPT1/2 Conduit	214780SP
Dummy Plug M20×1.5	214672SP
WINDOWS SOFTWARE	
Software Interface Kit	215005
OTHER	
HMK15 Calibration Adapter for 12 mm Probes with >7 mm Sensor Pins	211302SP

Dimensions (mm/inch)



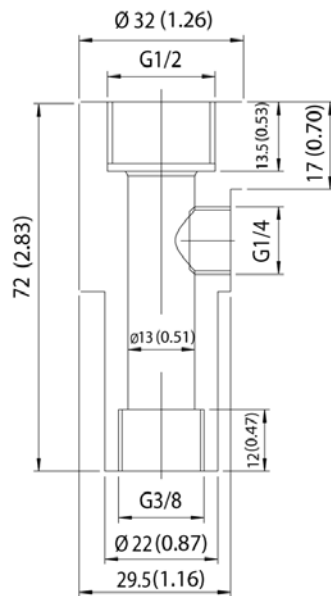
0506-035

Figure 84 DMT340 Transmitter Body Dimensions



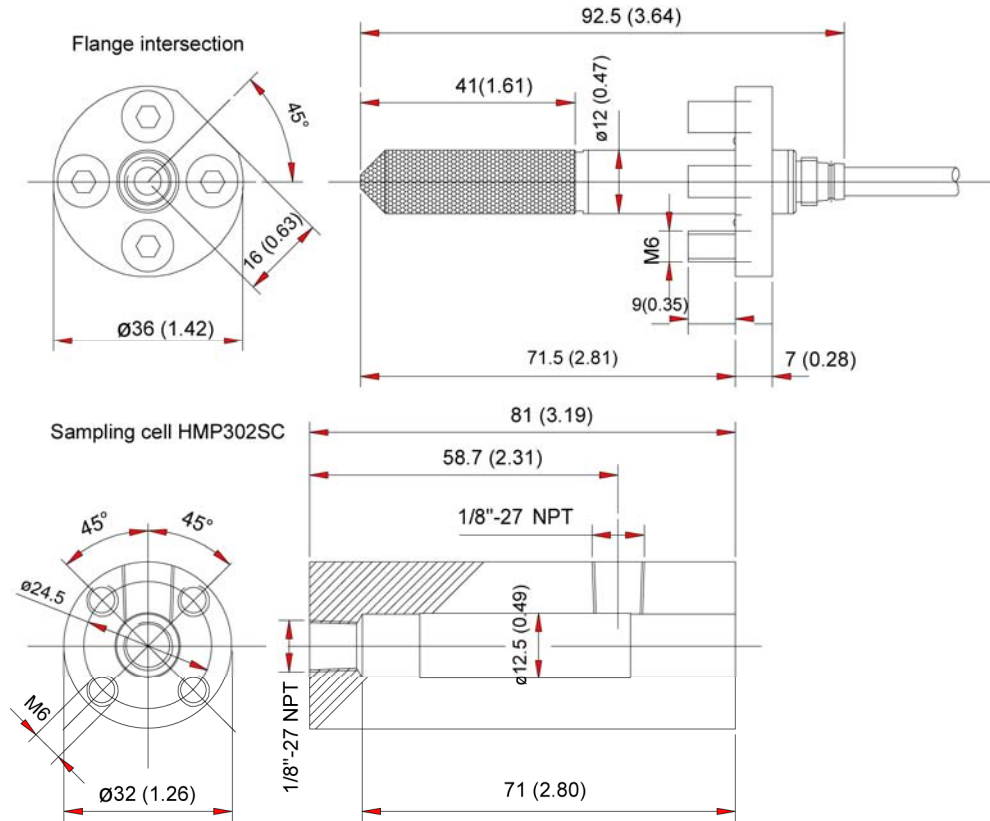
0804-035

Figure 85 WLAN Antenna Dimensions



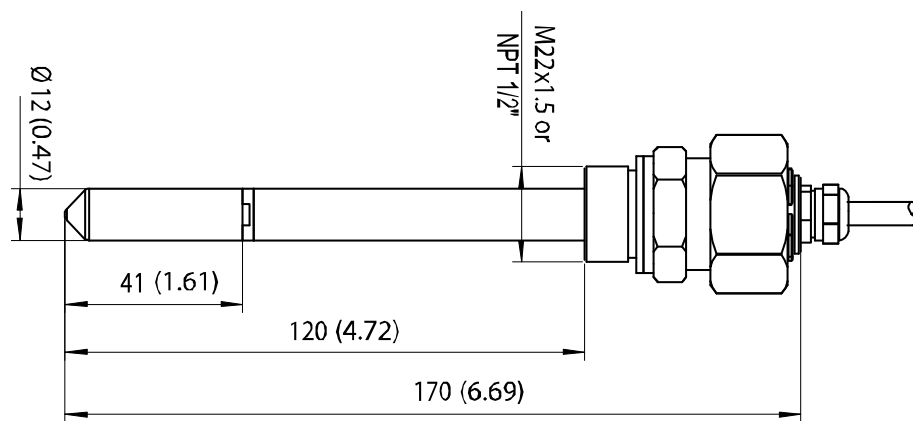
0506-034

Figure 86 Sampling Cell Dimensions



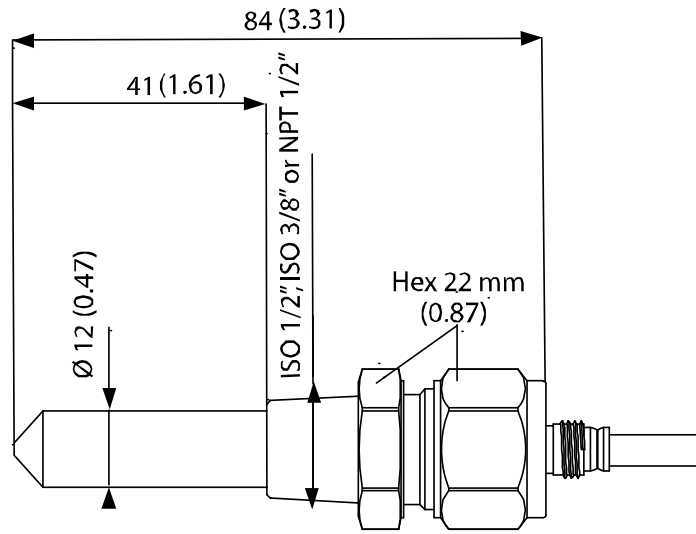
0503-044

Figure 87 DMT342 Probe Dimensions



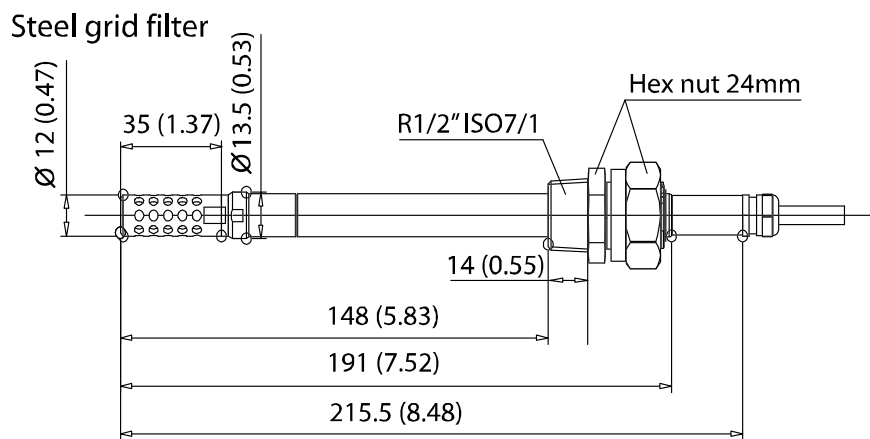
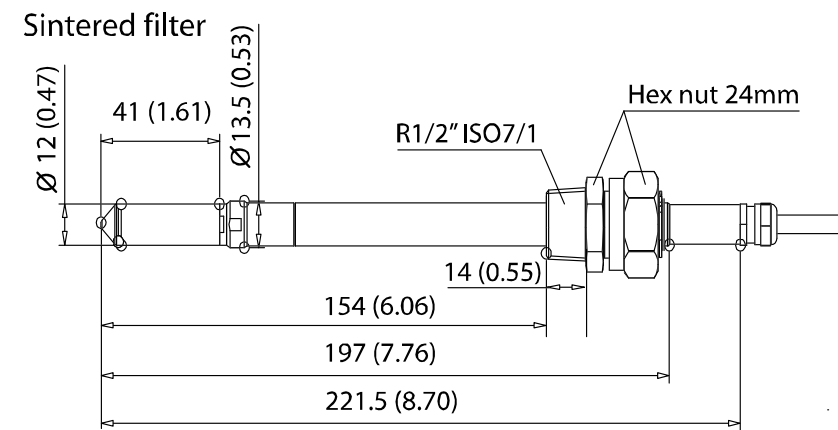
0804-059

Figure 88 DMT344 Probe Dimensions



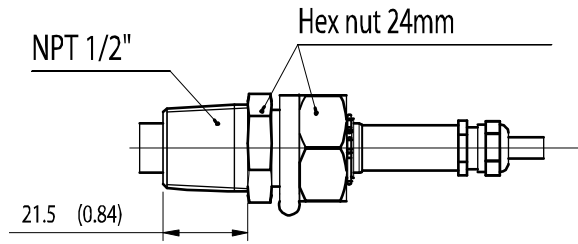
0804-129

Figure 89 DMT347 Probe Dimensions



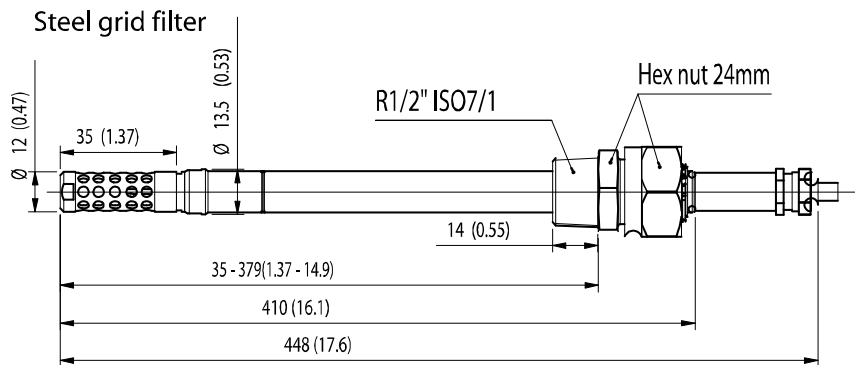
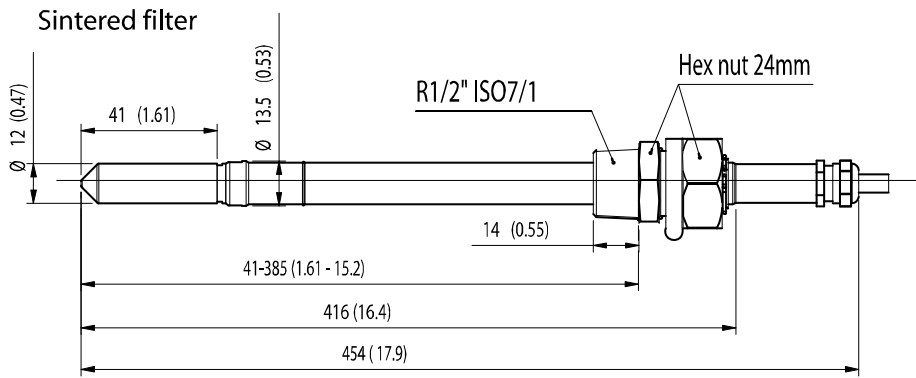
0704-054

Figure 90 DMT348 Standard Probe Dimensions



0704-056

Figure 91 NPT 1/2" Nut Dimensions



0704-055

Figure 92 DMT348 Optional 400mm Probe Dimensions

APPENDIX A

CALCULATION FORMULAS

This Appendix contains the formulas used for the calculated output quantities.

The DMT340 series transmitters measure relative humidity and temperature. From these values dewpoint, mixing ratio, absolute humidity and enthalpy in normal pressure are calculated using the following equations:

Dewpoint:

$$T_d = \frac{T_n}{\frac{m}{\log\left(\frac{P_w}{A}\right)} - 1} \quad (1)$$

P_w is the water vapor pressure. The parameters A, m, and Tn depend on temperature according to the following table:

t	A	m	Tn
<0 °C *	6.1134	9.7911	273.47
0 ... 50 °C	6.1078	7.5000	237.3
50 ... 100 °C	5.9987	7.3313	229.1
100 ... 150 °C	5.8493	7.2756	225.0
150 ... 180 °C	6.2301	7.3033	230.0

1) Used for frostpoint calculation if the dewpoint is negative

Mixing ratio:

$$x = 621.99 \cdot \frac{P_w}{p - P_w} \quad (2)$$

Absolute humidity:

$$a = 216.68 \cdot \frac{P_w}{T} \quad (3)$$

Enthalpy:

$$h = (T - 273.15) \cdot (1.01 + 0.00189 \cdot x) + 2.5 \cdot x \quad (4)$$

The water vapour saturation pressure P_{ws} is calculated by using two equations (5 and 6):

$$\Theta = T - \sum_{i=0}^3 C_i T^i \quad (5)$$

where:

- T = temperature in K
- C_i = coefficients
- C_0 = 0.4931358
- C_1 = $-0.46094296 * 10^{-2}$
- C_2 = $0.13746454 * 10^{-4}$
- C_3 = $-0.12743214 * 10^{-7}$

$$\ln P_{ws} = \sum_{i=-1}^3 b_i \Theta^i + b_4 \ln \Theta \quad (6)$$

where:

- b_i = coefficients
- b_{-1} = $-0.58002206 * 10^4$
- b_0 = $0.13914993 * 10^1$
- b_1 = $-0.48640239 * 10^{-1}$
- b_2 = $0.41764768 * 10^{-4}$
- b_3 = $-0.14452093 * 10^{-7}$
- b_4 = 6.5459673

The water vapor pressure is calculated using:

$$P_w = RH \cdot \frac{P_{ws}}{100} \quad (7)$$

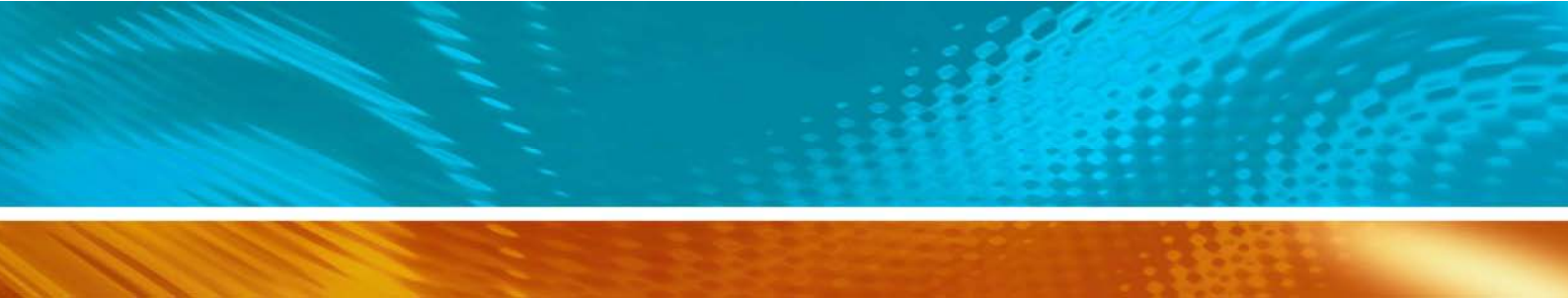
Parts per million by volume is calculated using:

$$ppm_v = 10^6 \cdot \frac{P_w}{(p - P_w)} \quad (8)$$

Symbols:

- Td = dewpoint temperature (°C)
- P_w = water vapour pressure (hPa)
- P_{ws} = water vapour saturation pressure (Pa)
- RH = relative humidity (%)
- x = mixing ratio (g/kg)
- p = atmospheric pressure (hPa)
- a = absolute humidity (g/m³)
- T = temperature (K)
- h = enthalpy (kJ/kg)

This page intentionally left blank.



www.vaisala.com

