

PREFERENCE[®] RANGE HOOD

USE AND CARE MANUAL



Model: PHW

Table of Contents

Important Safety Instructions	1-2
Parts of the Range Hood	3
Operating Instructions.....	4
Cleaning and Maintenance	5-6
Before You Call for Service.....	7
Warranty and Service.....	8
Warranty Card	Back Cover



To Our Valued Customer:

Congratulations on your purchase of the very latest in Dacor products! Our unique combination of features, style and performance make us The Life of the Kitchen, and a great addition to your home.

In order to familiarize yourself with the controls, functions, and full potential of your new Distinctive Appliance, we suggest that you thoroughly read this use & care manual, beginning with the **Important Safety Instructions** section.

All Dacor appliances are designed and manufactured with quality and pride, while working within the framework of our company value. Should you ever experience a problem with your product, please first check the **Before You Call for Service** section of this manual for guidance. It provides useful suggestions and remedies prior to calling for service.

Valuable customer input helps us to continuously improve our products and services, so please feel free to contact our Customer Service Team for assistance with any of your product support needs.

Dacor Customer Service
1440 Bridge Gate Drive
Diamond Bar, CA 91765

Telephone: (800) 793-0093
Fax: (626) 403-3130
Hours of Operation: Monday through Friday
6:00 A.M. to 5:00 P.M. Pacific Time
Web Site: www.Dacor.com

Thank you for choosing Dacor for your home. We are a company built by families for families and we are dedicated to serving yours. We are confident that your new Dacor product will deliver a high level of performance and enjoyment for many years to come.

Sincerely,

Cheryl Crowe
Director, Customer Satisfaction

Important Safety Instructions

INSTALLER: LEAVE THESE INSTRUCTIONS WITH THE APPLIANCE.

CUSTOMER: READ THIS USE AND CARE MANUAL COMPLETELY BEFORE USING THIS APPLIANCE. SAVE IT FOR FUTURE REFERENCE. IT CONTAINS IMPORTANT USE AND CARE INFORMATION. KEEP YOUR SALES RECEIPT OR CANCELED CHECK IN A SAFE PLACE. PROOF OF ORIGINAL PURCHASE DATE IS REQUIRED FOR WARRANTY SERVICE.

If you have any questions, call:

Dacor Customer Service Team
1 (800) 793-0093 (U.S.A. and Canada)
Monday — Friday 6:00 A.M. to 5:00 P.M. Pacific Time
Web site: www.Dacor.com

Have the complete model and serial number available. Record the numbers below for easy access. See page 3 for the location of the model and serial number label.

Model Number _____

Serial Number _____

Date of Purchase _____

For service and warranty information see page 9.

Since Dacor continuously improves the quality and performance of our products, we may need to make changes to the appliance without updating this manual.

Important Information About Safety Instructions

The **Important Safety Instructions** and warnings in this manual can't cover all possible problems and conditions that can occur. Use common sense and caution when installing, maintaining or operating this appliance.

Always contact the Dacor Customer Service Team about problems or conditions that you don't understand.

Safety Symbols and Labels

DANGER

Immediate hazards that **WILL** result in severe personal injury or death.

WARNING

Hazards or unsafe actions that **COULD** result in severe personal injury or death.

CAUTION

Hazards or unsafe actions that **COULD** result in minor personal injury or property damage.

DANGER

To avoid the possibility of explosion or fire, do not store or use combustible, flammable or explosive vapors and liquids (such as gasoline) inside or in the vicinity of this or any other appliance. Also keep items that could explode, such as aerosol cans away from cooktop burners, ovens and range hoods. Do not store flammable or explosive materials in adjacent cabinets or areas.

Important Safety Instructions

General Safety Precautions

To reduce risk of fire, electric shock, serious injury or death when using your appliance, follow basic precautions, including the following:

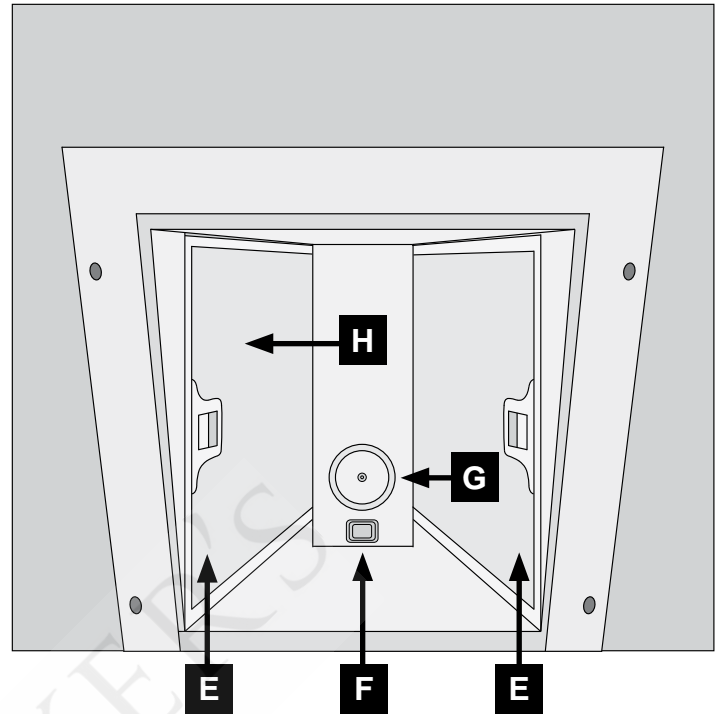
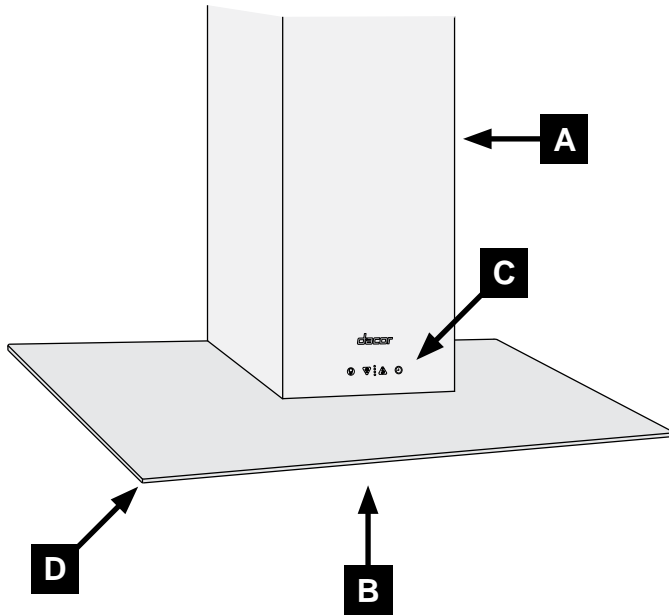
WARNING

1. If you receive a damaged product, immediately contact your dealer or builder. Do not install or use a damaged hood.
2. Make sure that the range hood has been properly installed and grounded by a qualified installer according to the accompanying installation instructions. Have the installer show you the location of the fuse or junction box so that you know where and how to turn the power off.
3. Do not install, repair or replace any part of the range hood unless specifically recommended in the literature accompanying it. A qualified service technician should perform all other service.
4. To avoid the risk of electric shock, before servicing the range hood, switch power off at the fuse or junction box and lock the electrical panel door to prevent power from being switched on accidentally. When the electrical panel cannot be locked, securely fasten a prominent warning device, such as a tag, to the service panel.
5. To avoid the risk of electric shock, before cleaning the range hood, turn off the main power switch.
6. Use the range hood only for its intended purpose as outlined in this manual. **DO NOT** use this range hood to vent hazardous or explosive materials or vapors. If you have questions, contact the manufacturer.
7. Do not tamper with the controls.
8. Never allow the filters to become blocked or clogged. Do not allow foreign objects, such as cigarettes or napkins, to be sucked into the hood.
9. Clean the filter(s) and all grease-laden surfaces often to prevent grease fires and maintain performance.
10. If the cooktop and range hood are near a window, use an appropriate window treatment. Avoid long drapes or other window coverings that could blow over the cooktop and hood, resulting in a fire hazard.
11. Always run the blower(s) whenever the cooktop is operating.
12. Never leave the range or cooktop unattended when a burner (or element) is in use. Boil-overs and greasy spills may smoke and/or ignite.

WARNING

13. Do not leave children alone or unattended in the area where the cooktop and range hood are in use. Never allow children to sit or stand on an appliance. Do not let children play with a range, cooktop or range hood. Do not store items of interest to children above or around the cooktop, range or range hood.
 14. The minimum vertical distance between the cooktop surface and the exterior part of the hood must be no less than the distance specified in the installation instructions. The vertical distance may be more for the range or cooktop being used. Consult the range or cooktop installation instructions for the minimum and maximum vertical distance from the appliance being used.
- 15. TO REDUCE THE RISK OF INJURY TO PERSONS IN THE EVENT OF A RANGE TOP GREASE FIRE:**
- a. **SMOTHER FLAMES** with a close-fitting lid, cookie sheet or metal tray, then turn off the burner. **BE CAREFUL TO PREVENT BURNS.** If the flames do not go out immediately, **EVACUATE AND CALL THE FIRE DEPARTMENT.**
 - b. **NEVER PICK UP A FLAMING PAN** - you may be burned.
 - c. **DO NOT USE WATER**, including wet dish cloths or towels - a violent steam explosion may result.
 - d. Use a fire extinguisher **ONLY** if:
 - You have a Class ABC extinguisher, and you already know how to operate it.
 - The fire is small and contained in the area where it started.
 - The fire department is being called.
 - You can fight the fire with your back to an exit.

Parts of the Range Hood



View From Bottom of Hood

EXTERIOR

A CHIMNEY - The blower assembly, filters, light and main power switch are located inside. The blower assembly pulls heat and smoke into the chimney and vents them up and outside.

B CHIMNEY OPENING - On the bottom of the range hood. Access to the light, main power switch and filters is through this opening. The blower assembly is also located inside. The blower assembly pulls heat and smoke into the chimney and vents them up and outside.

C CONTROL PANEL - Use the keys on the control panel to control your hood's various features.

D HOOD - The glass hood helps direct heat and smoke into the chimney opening. It comes in different sizes and colors. See the table below.

INTERIOR

E FILTERS - Prevent grease and grime from getting into the blower assembly.

F MAIN POWER SWITCH - Controls power to the control panel, light and blower assembly.

G LIGHT - Single piece halogen bulb with built-in lens and reflector.

H MODEL AND SERIAL NUMBER LABEL - Located behind the left filter.

Glass Assembly Part Numbers

30 INCH (WIDE) GLASS		36 INCH (WIDE) GLASS	
MODEL NUMBER	COLOR	MODEL NUMBER	COLOR
PHG30TS	Titanium Silver	PHG36TS	Titanium Silver
PHG30SG	Sterling Gray	PHG36SG	Sterling Gray
PHG30BU	Blue Water	PHG36BU	Blue Water
PHG30AG	Anthracite Gray	PHG36AG	Anthracite Gray
PHG30GN	Slate Green	PHG36GN	Slate Green
PHG30BK	Black	PHG36BK	Black

Operating Instructions

WARNING

Never operate the range hood without the filters in place. Also, do not operate the hood with grimy or grease-laden filters. Personal injury, fire or damage to the range hood could result.

IMPORTANT OPERATING TIPS

- Always use the blower when using the cooktop or range.
- Turn the blower on a few minutes before starting to cook to establish an airflow pattern in the room.
- Adjust the fan speed according to the volume and weight of the food you are cooking.
- Shut nearby windows and doors, turn off ceiling fans and close nearby heating and air conditioning outlets to reduce air currents around the hood.
- Place your largest pots and pans on the back burners when possible.
- In the interest of safety, heat oils and fats slowly.

OPERATION

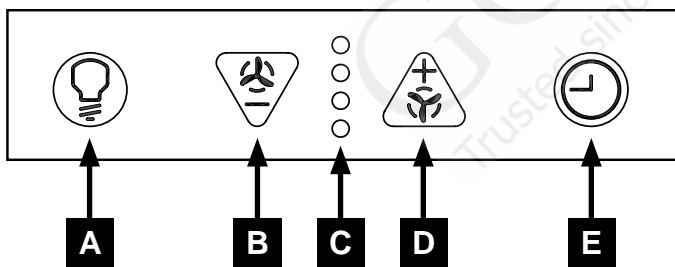
Main Power Switch

The main power switch is located inside the chimney opening next to the light (see page 3 for location).

- Push in on the switch to turn power on or off. The control panel is lit when the main power switch is on.

Turning on the Light

- Touch the light key **A** to turn on the light.



CONTROL PANEL

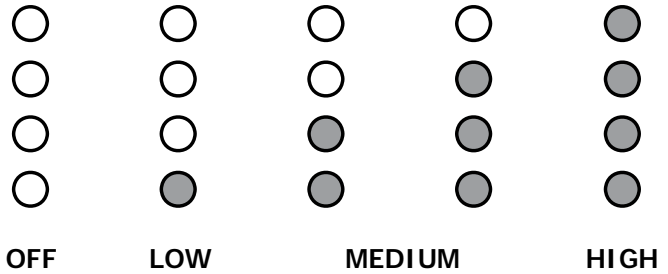
- Touch the light key again to turn it off.

Turning on the Blower

The blower has four speed settings. The speed is indicated by the number of lights that glow on the blower speed indicator **C**.

- Touch the "+" key **D** to turn on the blower.
- To increase speed, touch and release the "+" key until the blower is at the desired setting.

- Touch and release the "-" key **B** on the control panel to decrease the speed.
- Touch and hold the "-" key to turn the blower completely off.



BLOWER SPEED INDICATOR

NOTE: To conserve energy, the blower automatically turns itself off if it is left on for four hours continuously.

Timer Key

The timer turns the blower and lights off after 10 minutes.

- To start the timer, with the blower on, touch the timer key **E**. The control panel lights will flash to indicate the timer is counting down.

ENERGY SAVING TIPS

- Do not operate the blower at a speed higher than necessary to remove heat and smoke. Running at too high a speed will draw in air from outside the house, increasing heating and cooling costs.
- Keep the filters and hood surfaces free of grease and grime to improve efficiency.
- Turn the blower off as soon as all smoke and odors have been cleared.
- Select cookware of the proper size, material and construction for the cooking task. Always use lids on cookware to retain heat and moisture.
- Minimize the amount of liquid used to cook food.

Cleaning and Maintenance

Cleaning

WARNING

- To prevent electric shock or damage to the blower, thoroughly dry the filters before reinstalling them after cleaning.
- To prevent electric shock turn off the main power switch (see page 3) before cleaning the range hood or filters.
- Clean the hood only in the manner specified.
- To avoid dangerous fumes or damage to your hood's surfaces, use only the types of cleaning solutions specified in this manual.
- To avoid personal injury, turn off the cooktop or range and make sure that the appliance and range hood are cool before cleaning.
- Always wipe stainless steel (silver colored) surfaces with the grain. To prevent scratching, do not use abrasive cleaners or scrubbers on stainless steel or glass surfaces.
- To avoid damage to the blower, do not reinstall damaged or worn filters (see page 6 for replacement part numbers).

Proper cleaning is necessary to ensure safe operation and maintain hood performance and appearance. The frequency of cleaning should be adjusted according to the type and amount of cooking. Best results will be achieved by cleaning soiled components as soon as possible.

CLEANING STAINLESS STEEL SURFACES

Clean stainless steel surfaces with a mild solution of detergent or dishwashing soap and warm water. Rinse and dry with a soft, lint-free cloth.

You may also use Dacor Stainless Steel Cleaner on the stainless steel surfaces. Use it according to the directions on the package.

CLEANING THE GLASS

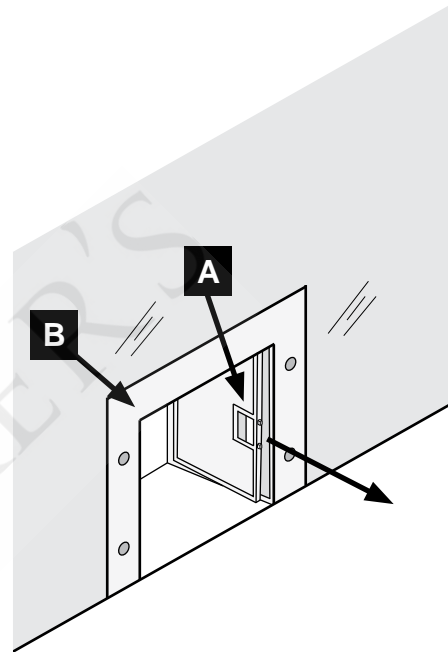
Use a mild glass cleaner to remove finger prints on glass surfaces. You can also clean glass surfaces with Dacor Cook Top Cleaning Creme. Use it according to the directions on the package.

CLEANING THE FILTERS

Clean the filters a minimum of every two months; clean them sooner if grease begins to build up on them.

To Remove the Filters:

1. Turn off the main power switch (see page 3 for location).
2. Pull on the release lever **A** near the bottom of the filter and lower it out of the hood. The filters are located inside the chimney opening **B** on the bottom of the hood. Remove both filters for cleaning.



To Clean the Filters:

Hand wash the filters in hot water with a mild detergent solution or place them in an automatic dishwasher. Dry the filters completely before reinstalling them.

To Reinstall the Filters:

1. Insert the end of the filter opposite the release lever into the slot right next to the light and main switch panel. The release lever must be facing out.
2. Pull on the release lever while sliding the bottom end of the filter into the filter opening.
3. Release the lever.

Cleaning and Maintenance

Maintenance

WARNING

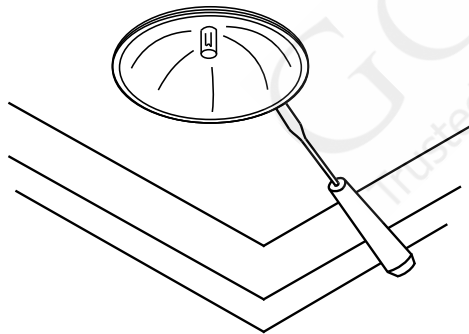
- To prevent electric shock turn off the main power switch before replacing the light bulb.
- To avoid personal injury, make sure the cooktop or range, the hood and the light are cool before changing the light bulb.

LIGHT BULB REPLACEMENT

Light bulb replacement is considered to be a homeowner maintenance operation. If the light does not work, before replacing it, check to make sure that the main circuit breaker (or fuse) and the main power switch on the hood are on.

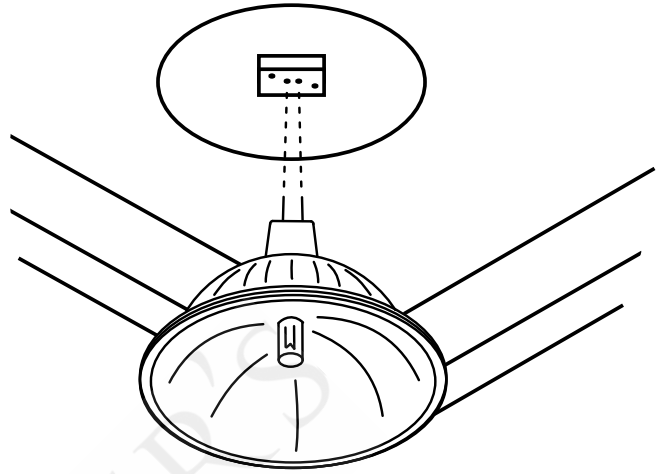
Replace the light bulb only with Dacor Part No. 101945, available from any authorized Dacor parts dealer.

1. Turn off the main power switch, located next to the light.
2. Reach up into the hood and pry the edge of the lens loose with a flat blade screwdriver, or disposable plastic knife. If using a flat blade screwdriver, cover the end with tape to avoid damage to the metal surfaces.



3. Once the light bulb is loose, pull down on it with a gentle rocking motion until it pulls free.

4. Line up the prongs on the new light with the holes in the light socket. If there are more than two holes, insert the prongs into the center two holes. You may need a flashlight to see inside the opening.



5. Gently push up on the new light until it stops.
6. Turn on the main power switch. Touch the light key to make sure it is working.

REPLACEMENT PARTS

DACOR PART #	DESCRIPTION
101945	Light bulb
101951	Filter (two per unit)

Before You Call for Service

PROBLEM	MAY BE CAUSED BY	WHAT TO DO
Nothing Works. Control panel is not lit. Blower does not work.	Power to hood is off.	Turn on power at junction or fuse box. Check for tripped breaker or blown fuse.
	Hood main power switch is off.	Make sure hood main power switch is on (see page 3).
	Power outage.	Call electric company.
	Hood not connected to electric power.	Have qualified electrician connect hood to electric power.
Light does not work. Control panel is not lit.	See Nothing Works above.	
Light does not work. Control panel is lit.	Loose light bulb.	Check to make sure that both prongs on the light bulb are inserted into the holes on the light socket (see page 6).
	Light bulb burned out.	Replace light bulb (see page 6).
Blower does not draw heat and smoke properly.	Filters clogged or dirty.	Check filters. Make sure they are completely clean and not blocked by foreign objects.
	Blower set to low setting.	See Operating Instructions section.
	Damper jammed shut or duct work clogged.	Consult with a qualified installation professional.*
Blower shuts off by itself after being left on for a long time.	Normal operation.	To conserve energy, the blower automatically turns itself off if it is left on for four hours continuously.
Blower does not work. Control panel not lit.	See Nothing Works above.	
Blower does not work. Control panel lit.	Blower malfunction.	Call for service.

* The duct work connected from the range hood chimney to outside the house or building required to vent heat and smoke is not manufactured, warranted or serviced by Dacor. The customer is responsible for having a qualified installer install and maintain the duct work.

Warranty and Service

Product Maintenance

Do not perform any maintenance other than that instructed in the **Cleaning and Maintenance** section of this manual. A qualified service technician should perform all other service.

Getting Help

Before you obtain service, please review the **Before You Call for Service** section of this manual starting on page 8. If you have performed the checks in the **Problem Solution Guide** and the problem has not yet been remedied, please visit our web site or contact our Customer Service Team for a listing of Dacor authorized service agents. Prior to requesting service, it is helpful to be familiar with the warranty terms and conditions on this page.

Contact us through our web site at:

WWW.Dacor.com

Dacor Customer Service Team:

Tel: (800) 793-0093

Fax: (626) 403-3130

Business Hours: 6:00 A.M. - 5:00 P.M. Pacific Time

You may also write us:

Dacor Customer Service Team
1440 Bridge Gate Drive
Diamond Bar, CA 91765

At Dacor, we believe that our quality of service equals that of our product. Should your experience with our service network or product be different, please contact our Customer Service Team and share your encounter with us. We will do our utmost to resolve the situation for you and deliver on our Dacor promise.

If you need anything clarified, just let us know.

Warranty

What Is Covered

CERTIFICATE OF WARRANTIES: DACOR RANGE HOODS

WITHIN THE FIFTY STATES OF THE U.S.A., THE DISTRICT OF COLUMBIA, AND CANADA*:

FULL ONE-YEAR WARRANTY

If your DACOR product fails to function within one year of the original date of purchase, due to a defect in material or workmanship, DACOR will remedy the defect without charge to you or subsequent users. The owner must provide proof of purchase upon request, and have the appliance accessible for service.

Warranty is null and void if non-CSA approved product is transported from the U.S.

OUTSIDE THE FIFTY STATES OF THE U.S.A., THE DISTRICT OF COLUMBIA, AND CANADA:

LIMITED FIRST YEAR WARRANTY

If your DACOR product fails to function within one year of the original date of purchase, due to a defect in material or workmanship, DACOR will furnish a new part, F.O.B. factory, to replace the defective part. All delivery, installation, and labor costs are the responsibility of the purchaser. The owner must provide proof of purchase, upon request, and have the appliance accessible for service.

What Is Not Covered

- Service calls to educate the customer in the proper use and care of the product.
- Failure of the product when used for commercial, business, rental or any application other than for residential consumer use.
- Replacement of house fuses or fuse boxes, or resetting of circuit breakers.
- Damage to the product caused by accident, fire, flood or other acts of God.
- Breakage, discoloration or damage to glass, metal surfaces, plastic components, trim, paint or other cosmetic finish, caused by improper usage or care, abuse or neglect.

THE REMEDIES PROVIDED FOR IN THE ABOVE EXPRESS WARRANTIES ARE THE SOLE AND EXCLUSIVE REMEDIES. THEREFORE, NO OTHER EXPRESS WARRANTIES ARE MADE, AND OUTSIDE THE FIFTY STATES OF THE UNITED STATES, THE DISTRICT OF COLUMBIA, AND CANADA, ALL IMPLIED WARRANTIES, INCLUDING BUT NOT LIMITED TO, ANY IMPLIED WARRANTY OF MERCHANTABILITY OR FITNESS FOR A PARTICULAR USE OR PURPOSE, ARE LIMITED IN DURATION TO ONE YEAR FROM THE DATE OF ORIGINAL PURCHASE. IN NO EVENT SHALL DACOR BE LIABLE FOR INCIDENTAL EXPENSE OR CONSEQUENTIAL DAMAGES. NO WARRANTIES, EXPRESS OR IMPLIED, ARE MADE TO ANY BUYER FOR RESALE.

Some states do not allow limitations on how long an implied warranty lasts, or do not allow the exclusion or limitation of inconsequential damages, so the above limitations or exclusions may not apply to you. This warranty gives you specific legal rights, and you may also have other rights that vary from state to state.

fold here

BUSINESS REPLY MAIL

FIRST-CLASS MAIL

PERMIT NO. 4507

DIAMOND BAR CA

POSTAGE WILL BE PAID BY ADDRESSEE

DACOR INC.
ATTN: WARRANTY PROCESSING DEPT
1440 BRIDGE GATE DR STE 200
PO BOX 6532
DIAMOND BAR CA 91765-9861

NO POSTAGE
NECESSARY
IF MAILED
IN THE
UNITED STATES



WARRANTY INFORMATION



IMPORTANT:

Your warranty will not be activated until you activate it online or return this form to Dacor. If you have purchased more than one Dacor product, please return all forms in one envelope or activate the warranty for each product online.

Please rest assured that under no conditions will Dacor sell your name or any of the information on this form for mailing list purposes. We are very grateful that you have chosen Dacor products for your home and do not consider the sale of such information to be a proper way of expressing our gratitude!

Owner's Name: _____
Last (Please Print or Type) First Middle

Street: _____

City: _____ State: _____ Zip: _____

Purchase Date: _____ Email: _____ Telephone: _____

Dealer: _____

City: _____ State: _____ Zip: _____

Your willingness to take a few seconds to fill in the section below will be sincerely appreciated. Thank you.

1. How were you **first** exposed to Dacor products? (Please check one only.)

- | | |
|---|---|
| <input type="checkbox"/> A. T.V. Cooking Show | <input type="checkbox"/> F. Builder |
| <input type="checkbox"/> B. Magazine | <input type="checkbox"/> G. Architect/Designer |
| <input type="checkbox"/> C. Appliance Dealer Showroom | <input type="checkbox"/> H. Another Dacor Owner |
| <input type="checkbox"/> D. Kitchen Dealer Showroom | <input type="checkbox"/> I. Model Home |
| <input type="checkbox"/> E. Home Show | <input type="checkbox"/> J. Other _____ |

2. Where did you buy your Dacor appliances?

- | | |
|--|---|
| <input type="checkbox"/> A. Appliance Dealer | <input type="checkbox"/> D. Builder |
| <input type="checkbox"/> B. Kitchen Dealer | <input type="checkbox"/> E. Other _____ |
| <input type="checkbox"/> C. Builder Supplier | |

3. For what purpose was the product purchased?

- | | |
|---|---|
| <input type="checkbox"/> A. Replacement <i>only</i> | <input type="checkbox"/> C. New Home |
| <input type="checkbox"/> B. Part of a Remodel | <input type="checkbox"/> D. Other _____ |

4. What is your household income?

- | | |
|---|---|
| <input type="checkbox"/> A. Under \$75,000 | <input type="checkbox"/> D. \$150,000 – \$200,000 |
| <input type="checkbox"/> B. \$75,000 – \$100,000 | <input type="checkbox"/> E. \$200,000 – \$250,000 |
| <input type="checkbox"/> C. \$100,000 – \$150,000 | <input type="checkbox"/> F. Over \$250,000 |

5. What other brands of appliances do you have in your kitchen?

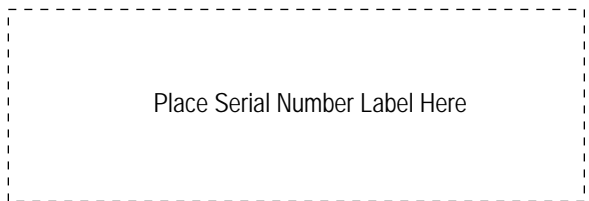
- | | |
|------------------|-----------------------|
| A. Cooktop _____ | C. Dishwasher _____ |
| B. Oven _____ | D. Refrigerator _____ |

6. Would you buy or recommend another Dacor product?

- Yes No

Comments: _____

Thank you very much for your assistance. The information you have provided will be extremely valuable in helping us plan for the future and giving you the support you deserve.



cut here

cut here