

# INSTALLATION INSTRUCTIONS

Viking Range Corporation  
111 Front Street  
Greenwood, Mississippi 38930 USA  
(662) 455-1200

## BUILT-IN ELECTRIC 36" W. OVENS PROFESSIONAL SERIES



### IMPORTANT: PLEASE READ AND FOLLOW

1. Before beginning, please read these instructions completely and carefully.
2. Do not remove permanently affixed labels, warnings, or plates from product. This may void the warranty.
3. Please observe all local and national codes and ordinances.
4. Please ensure that this product is properly grounded.
5. **The installer should leave these instructions with the consumer who should retain for local inspector's use and for future reference.**

Installation must conform with local codes or in the absence of codes, the National Electrical Code, ANSI/NFPA 70 - latest edition.  
**IN CANADA:** Installation must be in accordance with the current CSA C22.1 Canadian Electrical Codes Part 1 and/or local codes.

### WARNING!!!

Frame grounded by a 4-conductor cable assembly. See manufacturer's instructions

### GENERAL INFORMATION

1. **WARNING:** The use of cabinets for storage above the appliance may result in potential fire or burn hazard.
2. **WARNING:** This appliance shall not be used for space heating. This information is based on safety considerations.
3. All openings in the wall behind the appliance in the floor under the appliance shall be sealed.
4. Keep appliance area clear and free from combustible materials, gasoline, and other flammable vapors.
5. Disconnect the electric supply to the appliance before servicing.
6. When removing oven for service and/or cleaning
  - A. Disconnect AC power supply.
  - B. Carefully remove the oven by pulling outward. **CAUTION:** Oven is heavy, use care in handling.
7. Electrical requirements:  
Listed in specifications chart p. 4 and 7 under Electrical Requirements.
8. The misuse of the oven doors (e.g. stepping, sitting, or leaning on them) can result in possible hazards and/or injuries.

### WARNING!!!

#### ELECTRICAL GROUNDING INSTRUCTIONS

This oven must be electrically grounded in accordance with local codes or, in the absence of local codes, with the National Electrical Code, ANSI/NFPA 70 - latest edition.

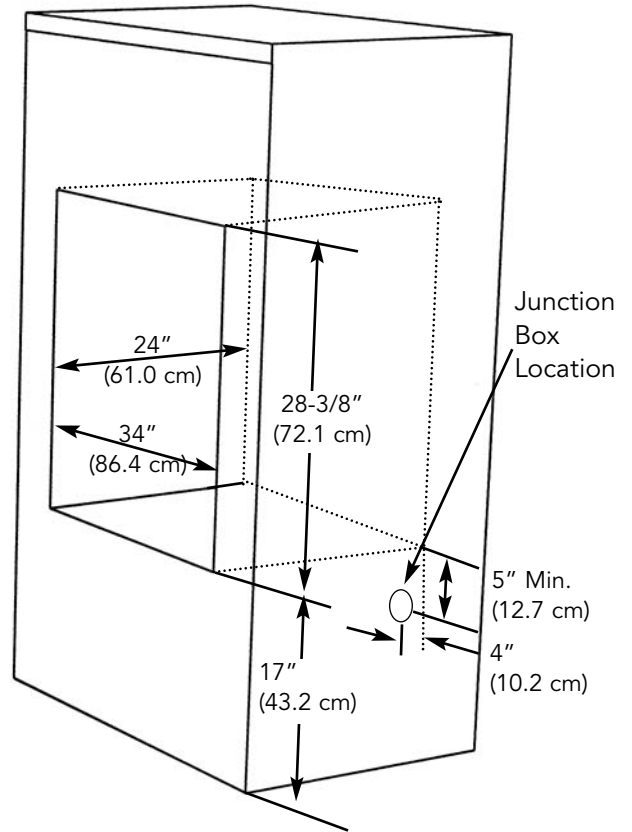
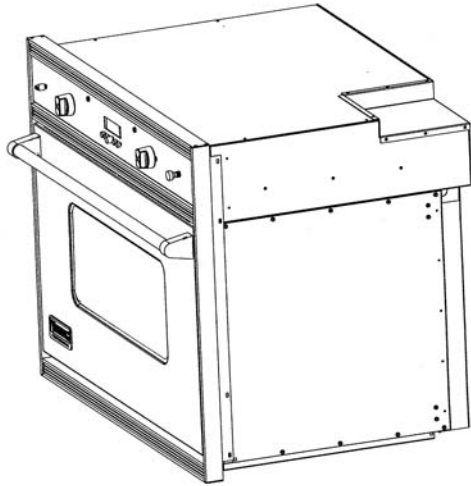
## SPECIFICATIONS-ELECTRIC SINGLE OVEN

DESCRIPTION	VESO166
Overall Width	35 1/4" (89.5 cm)
Overall Height	28 3/4" (73.0 cm)
Overall Depth	To edge of door - 25" (63.5 cm) To end of handle bracket - 27 1/4" (68.9 cm) With door open - 43" (109.2 cm)
Cutout Width	34" (86.4 cm)
Cutout Height	28 3/8" (72.1 cm)
Cutout Depth	24" (61.0 cm)
Electrical Requirements	4-wire with ground, 240-208/120 VAC/60 Hz, 30 amp electrical connection. Unit is equipped with No.10 ground wire in conduit. Should be fused separately.
Oven Interior Width	29" (73.7 cm)
Oven Interior Height	16 1/8" (41.0 cm)
Oven Interior Depth	15 3/8" (39.1 cm)
Oven Interior Overall Size •Three racks / Six positions	4.2 cu. ft.
Approximate Shipping Weight	330 lbs. (148.6 kg)

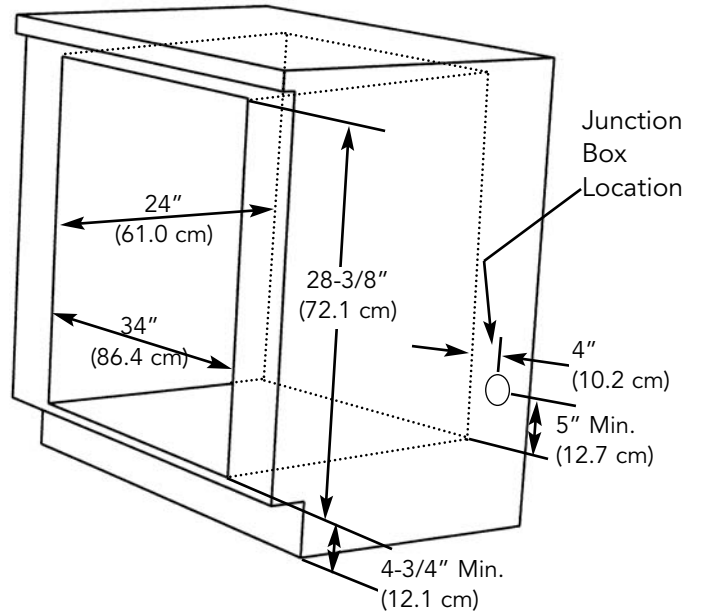
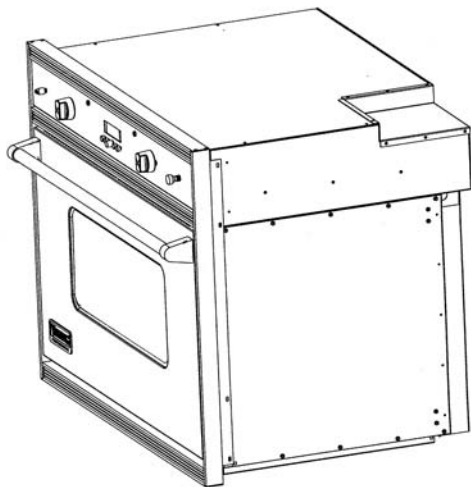
## SPECIFICATIONS - ELECTRIC DOUBLE OVEN

DESCRIPTION	VEDO266
Overall Width	35 1/4" (89.5 cm)
Overall Height	51-1/8" (129.3 cm)
Overall Depth	To edge of door - 25" (63.5 cm) To end of handle bracket - 27 1/4" (68.9 cm) With door open - 43" (109.2 cm)
Cutout Width	34" (86.4 cm)
Cutout Height	50 7/8" (129.2 cm)
Cutout Depth	24" (61.0 cm)
Electrical Requirements	Unit is equipped with No.10 ground wire in conduit. Should be fused separately 4-wire with ground, 240-208/120 VAC/60 Hz 50 amp connection
Oven Interior Width	29" (73.7 cm)
Oven Interior Height	16 1/8" (41.0 cm)
Oven Interior Depth	15 3/8" (39.1 cm)
Oven Interior Overall Size •Three racks / Six positions	4.2 cu. ft.
Approximate Shipping Weight	575 lbs. (258.8 kg)

# SINGLE OVEN CUTOUT DIMENSIONS IN WALL CABINET

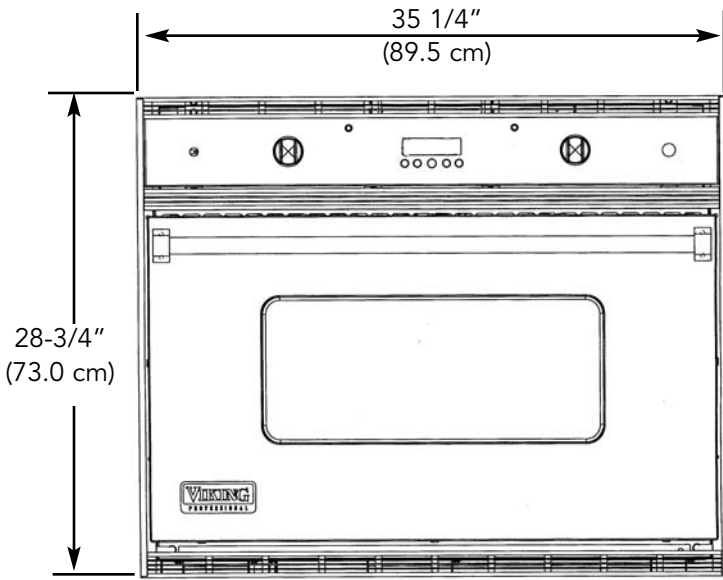


# UNDERCOUNTER

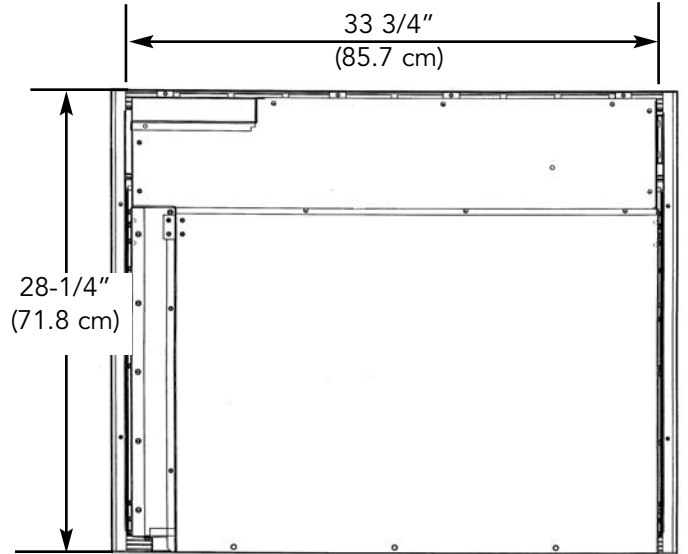


# SINGLE OVEN DIMENSIONS

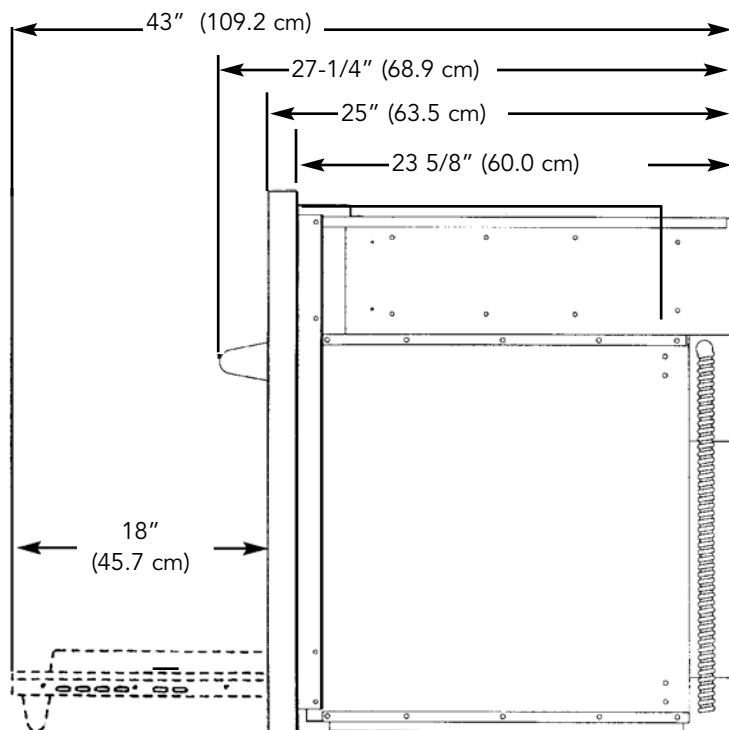
## FRONT



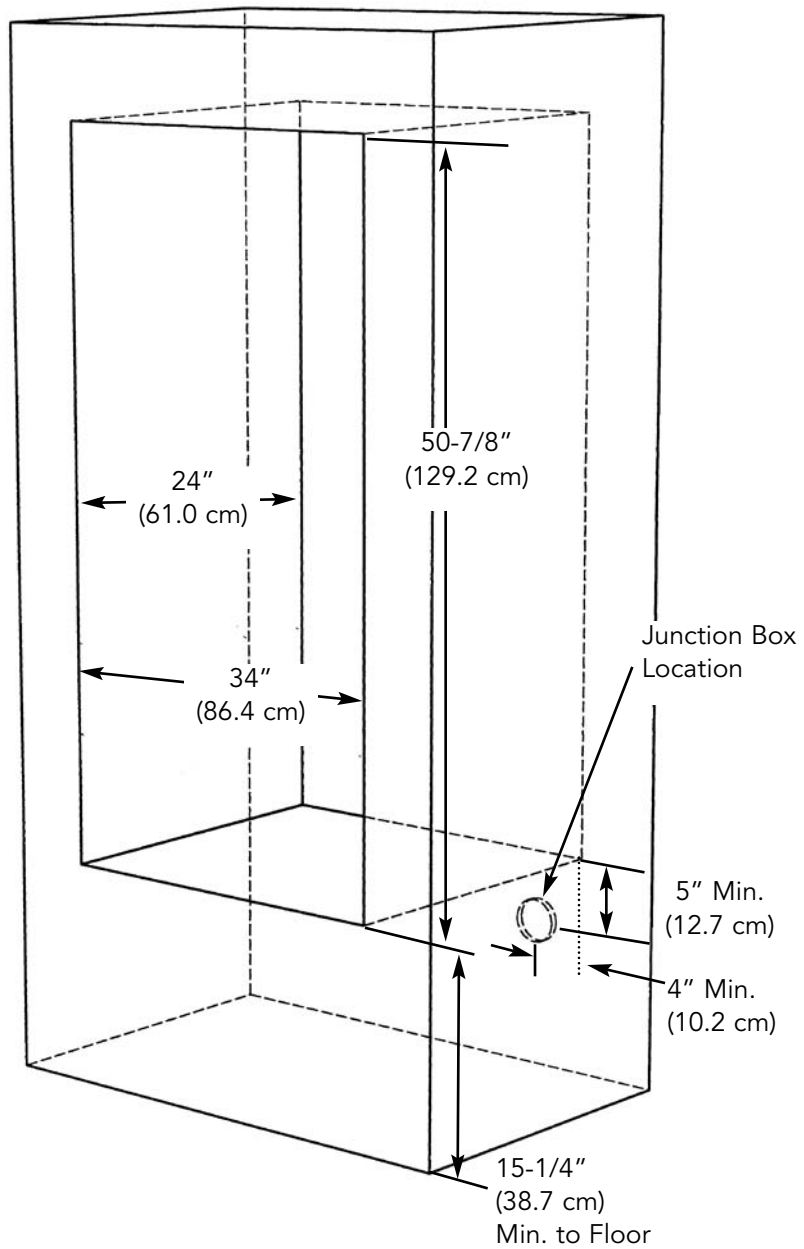
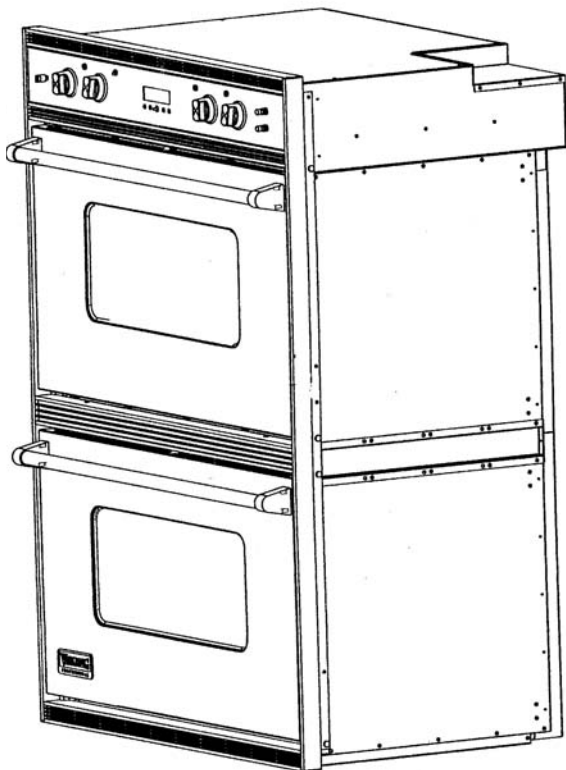
## REAR



## SIDE

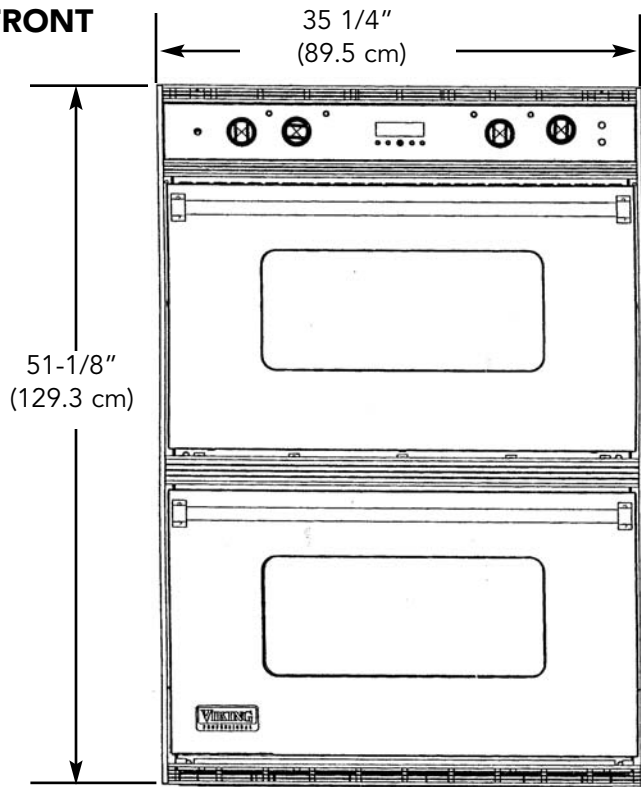


# DOUBLE OVEN CUTOUT DIMENSIONS

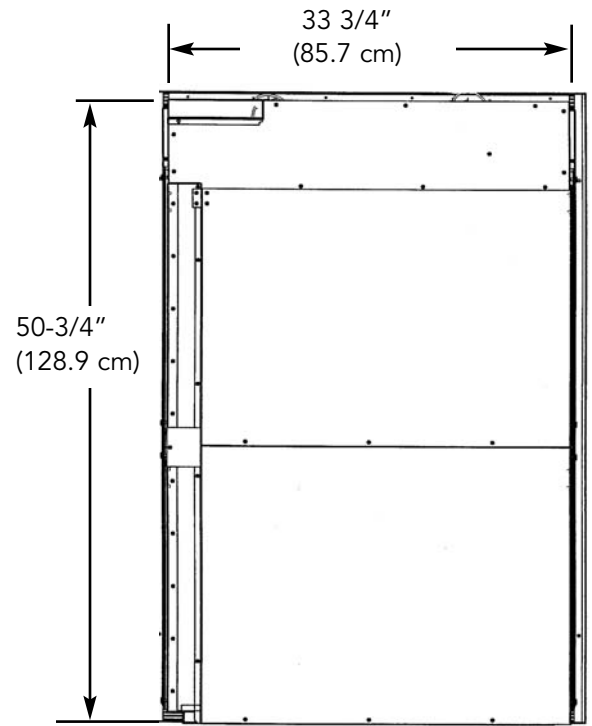


# DOUBLE OVEN DIMENSIONS

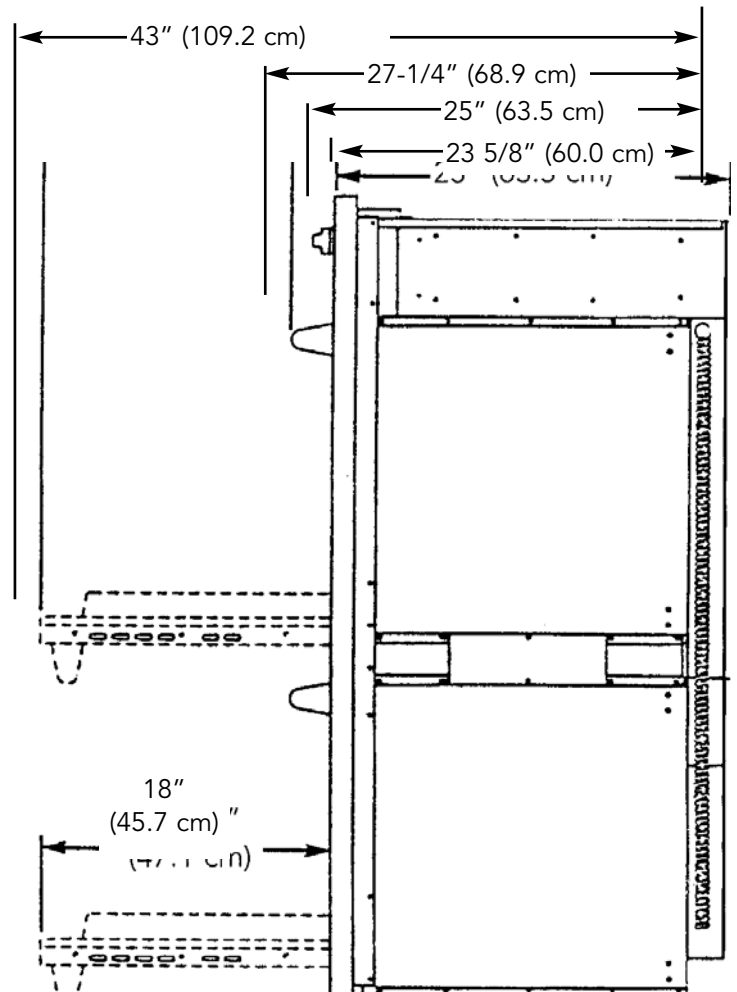
**FRONT**



**REAR**



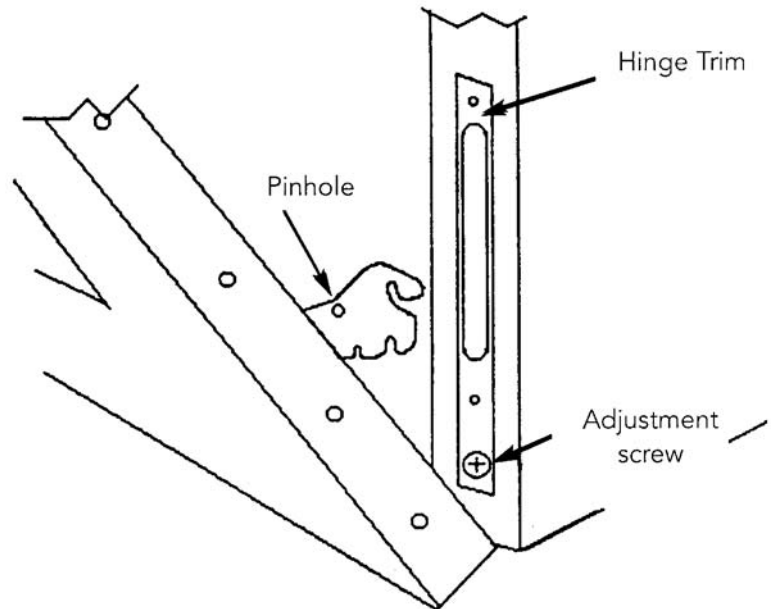
**SIDE**



## DOOR REMOVAL / ADJUSTMENT

Ocasionally, it may be necessary to remove or adjust the doors. This should only be done by a qualified technician. To remove the door, remove the screws from the top and bottom of the hinge trim. Open the door to the full open position. Place a pin in the pinhole on the hinge. Close the door just until it reaches the pin in the hinge. Remove the hinge trim. Lift up and out on the door until the door comes out of the door socket. Reverse the procedure to replace the door.

To adjust the door up or down, turn the adjustment screw. To move the door upward, turn the adjustment screw clockwise. To move the door downward, turn the adjustment screw counterclockwise.



## ELECTRICAL REQUIREMENTS

Check your local codes regarding this unit. The single built-in oven requires a 4-wire with ground, 240-208/120 VAC/60 Hz, 30 amp electrical connection. The double 27" W. and 30" W. built-in ovens require a 4-wire with ground, 240-208/120 VAC/60 Hz, 40 amp electrical connection. The double 36" W. built-in oven requires a 4-wire with ground, 240-208/120 VAC/60 Hz, 50 amp electrical connection. This unit is equipped with a No. 10 ground wire in the conduit. See next section for grounding instructions. It should be fused separately. **CAUTION:** Be sure the electric power is off from the breaker box to the junction box until the oven is installed and ready to operate. The junction box should be located as shown in the drawing and connected to suitable ground.

Refer to the specification chart for watt rating and recommended amps. House wiring and fusing must comply with local codes. If no local codes are applicable, wire in accordance with the National Electrical Code, ANSI/NFPA 70-latest edition.

## ELECTRICAL CONNECTION

With the oven positioned in front of the cabinet opening, connect the wire leads extending from the conduit to the junction box, making sure the neutral (white) wire is connected to the appropriate terminal. Check your local code to see which of the options below should be used in grounding the unit.

- OPTION 1: Connect the neutral (white) wire and the grounding (green) wire with the incoming neutral (white) power supply line.
- OPTION 2: If the junction box is grounded, untwist the grounding (green) wire and attach to the junction box. Attach the neutral (white) wire to the neutral (white) power supply line.
- OPTION 3: Untwist the grounding (green) wire and attach it to a suitable ground. Attach neutral (white) wire to the incoming neutral (white) power supply line.

**DO NOT USE AN EXTENSION CORD WITH THIS APPLIANCE. SUCH USE MAY RESULT IN A FIRE, ELECTRICAL SHOCK OR OTHER PERSONAL INJURY.**

## CHECK WIRING

Connect the electric power at the breaker box and check for proper operation of all functions.

## PERFORMANCE CHECKLIST

A qualified installer should carry out the following checks:

1. Check oven bake function - bake element on full power, center and outside broil elements at partial power. Convection bake function - bake and broil element is the same with the convection fan on.
2. Check TruConvec™ function - TruConvec™ element (behind convection fan cover) on and convection fan on.
3. Check mini-broil function - center broil element on.
4. Check maxi-broil function - center and outside broil elements on; convection broil function is the same as maxi-broil with the convection fan on.
5. Check self-clean function - Door will lock and in approximately 30 seconds, the center and outside broil elements will turn on and the bake element will turn on at partial power. Check broil elements through window to make sure they are on, then abort self-clean cycle to unlock door.

**CAUTION:** Do not run self-clean cycle check for more than 10 minutes with oven racks and rack supports inside oven. This could cause them to discolor due to the high temperature required for self-cleaning.

Any adjustments necessary that are a result of the installer not following instructions will be the responsibility of the installer, dealer or the end user of the product.

## FINAL PREPARATION

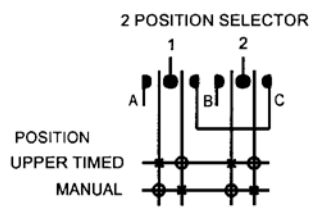
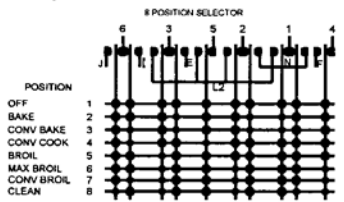
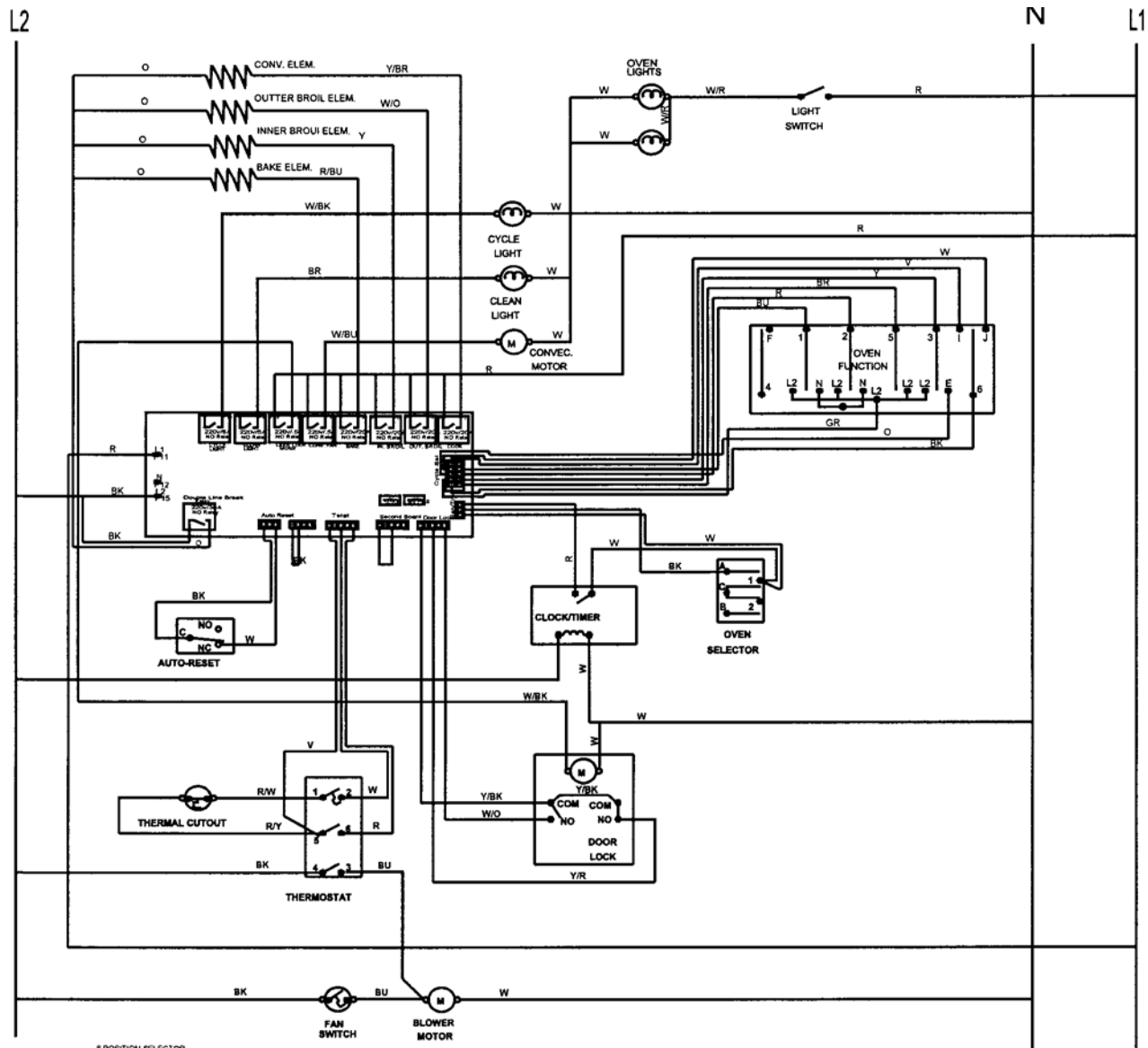
1. Some stainless steel parts may have a plastic protective wrap which must be peeled off. All stainless steel body parts should be wiped with hot, soapy water and with a liquid cleaner designed for this material. If build-up occurs, do not use steel wool, abrasive cloths, cleaners, or powders!! If it is necessary to scrape stainless steel to remove encrusted materials, soak with hot, wet cloths to loosen the material, then use a wood or nylon scraper. Do not use a metal knife, spatula, or any other metal tool to scrape stainless steel! Scratches are almost impossible to remove.
2. The interior of the oven should be washed thoroughly with hot, soapy water to remove film residues and any installation dust or debris before being used for food preparation, then rinsed and wiped dry. Solutions stronger than soap and water are rarely needed.

## REPLACEMENT PARTS

Only authorized replacement parts may be used in performing service on the range. Do not repair or replace any part of the appliance unless specifically recommended in the manual. All other servicing should be referred to a qualified technician.

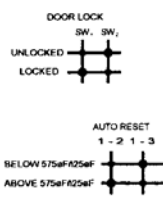


# WIRING DIAGRAM BUILT-IN ELECTRIC SINGLE OVEN



**THERMOSTAT**

	1-2	3-4	5-6
OFF	O	O	O
BAKE	CYC	X	O
BROIL	CYC	X	O
CLEAN	CYC	X	X



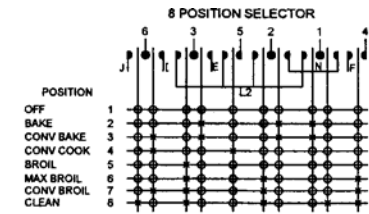
X = CLOSED 0 = OPEN

For connection to the factory installed terminal block, use copper or aluminum conductors.

**WARNING:** This unit must be grounded. See Installation Instructions for proper grounding procedures.

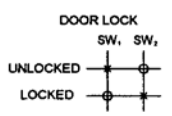
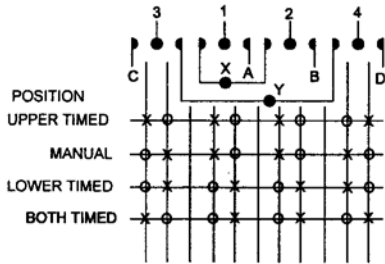
**NOTE:** Trailers or stripes will be the second color in a color combination. Refer only to features which are equipped with this unit.

# WIRING DIAGRAM BUILT-IN ELECTRIC DOUBLE OVEN



**THERMOSTAT**

DIAL	CONTACTS			
	1-2	3-4	5-6	
LOW STOP	O		O	O
BAKE CYCLES		X	O	
BROIL CYCLES		X	O	
CLEAN CYCLES		X	X	



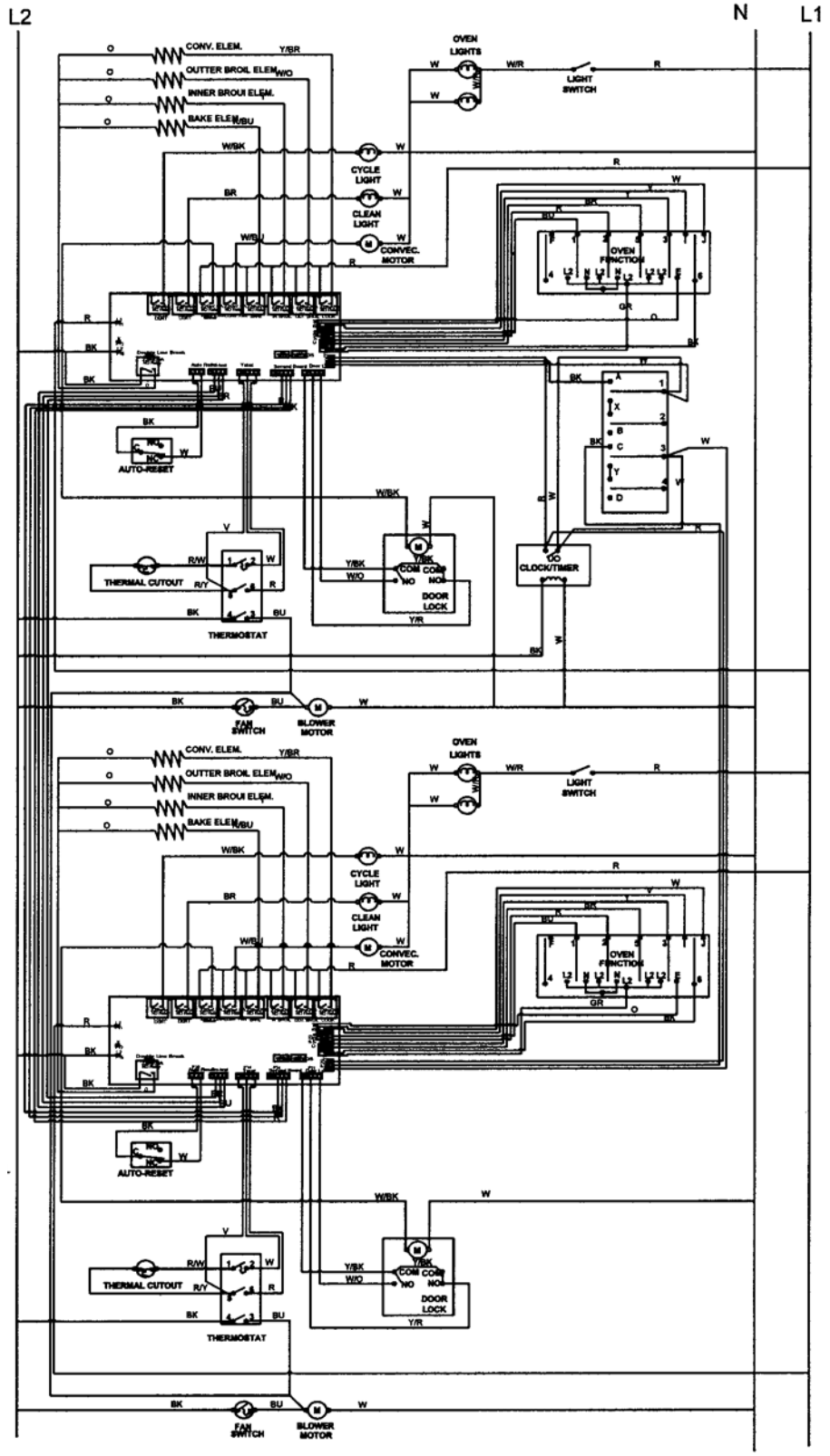
X = CLOSED O = OPEN

For connection to the factory installed terminal block, use copper or aluminum conductors.

**WARNING:** This unit must be grounded. See Installation Instructions for proper grounding procedures.

**NOTE:** Trailers or stripes will be the second color in a color combination.

Refer only to features which are equipped with this unit.



Viking Range Corporation  
111 Front Street • Greenwood, Mississippi 38930 USA • (662) 455-1200  
Specifications subject to change without notice.