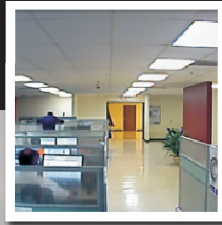
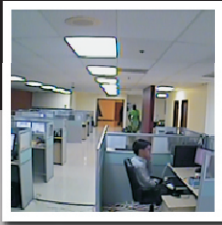
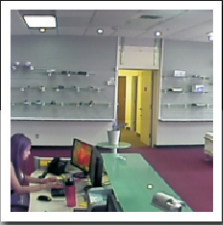


Zmodo



Wireless IP Network Camera

User's Guide

CM-I12316GY



ZMODO TECHNOLOGY CORP. LTD.
1201-1205 ,Sangda Mansion, High Technology Park,
ShenZhen, Guangdong, China
Tel: 0755-3363-1636 Fax: 0755-3363-1639

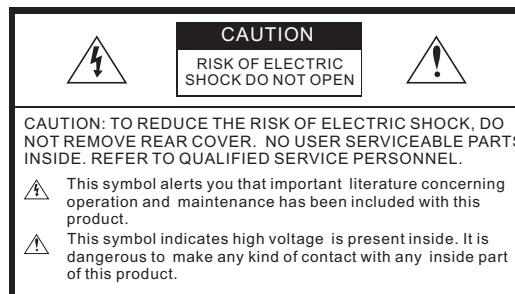
SAFETY PRECAUTIONS

WARNING

1. Be sure to use only the standard adapter that is specified in the specification sheet. Using any other adapter could cause fire, electrical shock, or damage to the product
2. Incorrectly connecting the power supply or replacing battery may cause explosion, fire, electric shock, or damage to the product.
3. Do not connect multiple cameras to a single adapter. Exceeding the capacity may cause abnormal heat generation or fire.
4. Securely plug the power cord into the power receptacle. Insecure connection may cause fire.
5. When installing the camera, fasten it securely and firmly. A falling camera may cause personal injury
6. Do not place conductive objects (e.g. screwdrivers, coins, metal things, etc.) or containers filled with water on top of the camera. Doing so may cause personal injury due to fire, electric shock, or falling objects.
7. Do not install the unit in humid, dusty, or sooty locations. Doing so may cause fire or electric shock.
8. If any unusual smells or smoke come from the unit, stop using the product. In such case, immediately disconnect the power source and contact the service center. Continued use in such a condition may cause fire or electric shock.
9. If this product fails to operate normally, contact the nearest service center. Never attempt to modify this product in any way. (ZMODO is not liable for problems caused by unauthorized modifications or attempted repair.)
10. When cleaning, do not spray water directly onto parts of the product. Doing so may cause fire or electric shock.

CAUTION

1. Do not drop objects on the product or apply strong shock to it. Keep away from a location subject to excessive vibration or magnetic interference.
2. Do not install in a location subject to high temperature (over 122F), low temperature (below 14F), or high humidity. Doing so may cause fire or electric shock.
3. If you want to relocate the already installed product, be sure to turn off the power and then move or reinstall it.
4. Remove the power plug from the outlet when there is a lightning. Neglecting to do so may cause fire or damage to the product.
5. Keep out of direct sunlight and heat radiation sources. It may cause fire.
6. Install it in a place with good ventilation.
7. Avoid aiming the camera directly towards extremely bright objects such as sun, as this may damage the CCD image sensor.
8. Apparatus shall not be exposed to dripping or splashing and no objects filled with liquids, such as vases, shall be placed on the apparatus.
9. The Mains plug is used as a disconnect device and shall stay readily operable at any time.



PRODUCT OVERVIEW

Product Overview

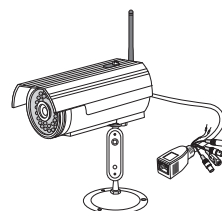
Free yourself from long video wires and enjoy the convenience of wireless technology with this IP camera. This camera can connect to your wireless router and record straight to your computer's hard drive. The advanced, built-in chip enables features such as recording triggered by motion detection, email alerts, and remote access from popular web browsers. The 1/4" CMOS image sensor provides resolution up to 640x480 (VGA) and good image quality. With 36 built in IR LEDs, this camera can capture video in night vision mode up to 80' away. This weatherproof wireless camera is designed for indoor or outdoor use, and can easily be mounted for the perfect viewing angle. IP configuration is easy with the included software.

Main Features

- 1/4" Color CMOS Image Sensor
- 36 IR LED, Automatic Operate in Dark Environment
- IR Night Vision up to 80'(25m)
- Compression Format: M-JPEG
- Weatherproof: Yes
- Remote Viewing & Recording
- Supported OS: Microsoft Win98 SE/ME/2000/XP/Vista, Internet Explorer 5.0, NET4.5
- Support IE Browser or Any other Standard Browsers
- Support both WEP & WPA Encryption
- Motion Detection Alert via Email or Upload Image to FTP
- Multi-level Users Management with Password Protection
- Wi-Fi Compliant with Wireless Standards IEEE 802.11b/g

Package includes

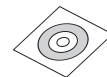
Please check your camera and accessories included in the package. Those components are as shown below:



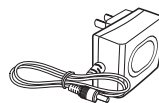
Camera



Network Cable



Software CD



Adapter



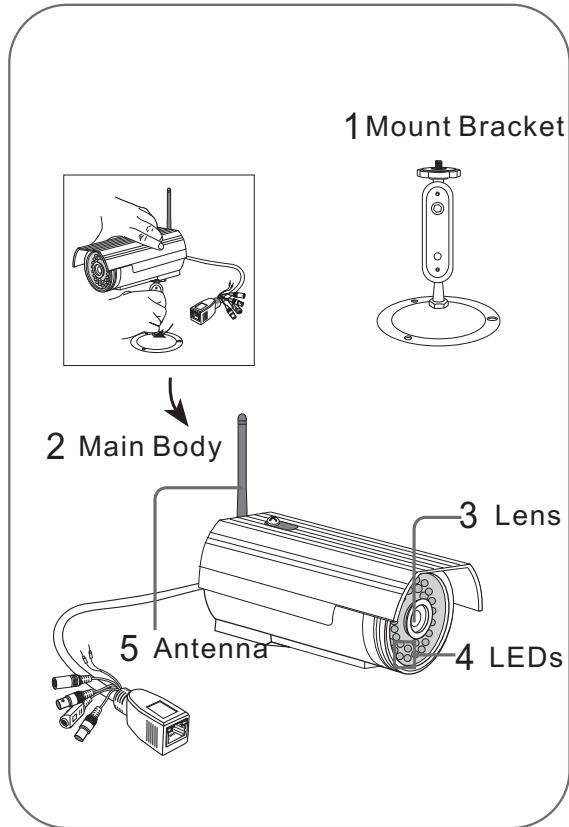
Screws



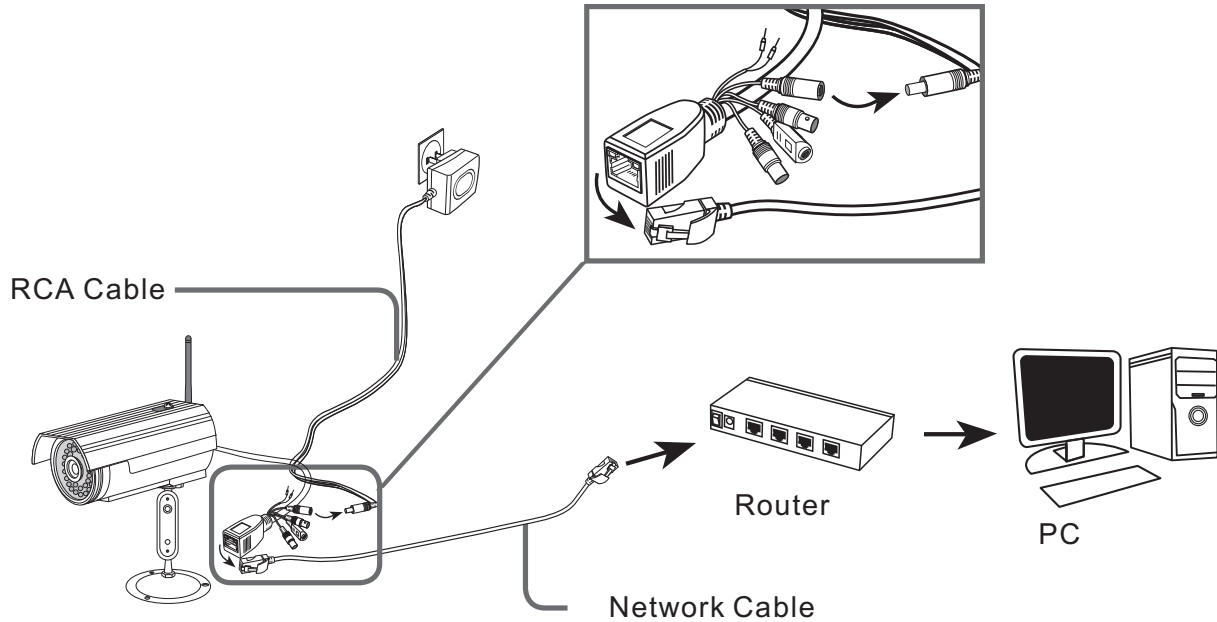
Package Box

- 1) CM-I12316GY Wireless Network IP Camera
- 1) Camera Mounting Bracket
- 3) Mounting Screws & screw caps
- 1) DC Power Supply
- 1) Network Cable
- 1) Software CD
- 1) Package Box

SCHEMATIC DIAGRAM



CONNECTING CABLES



To connect cables

1. Connect the Network cable attached on your camera to the router.
2. Connect the power adapter to the RCA Power connector attached on your camera.

Note

It is also a wireless IP network camera. But you need to connect the camera to the router with the network cable first to look for the device. Then you can pull up the network cable from the router.

HOW TO INSTALL

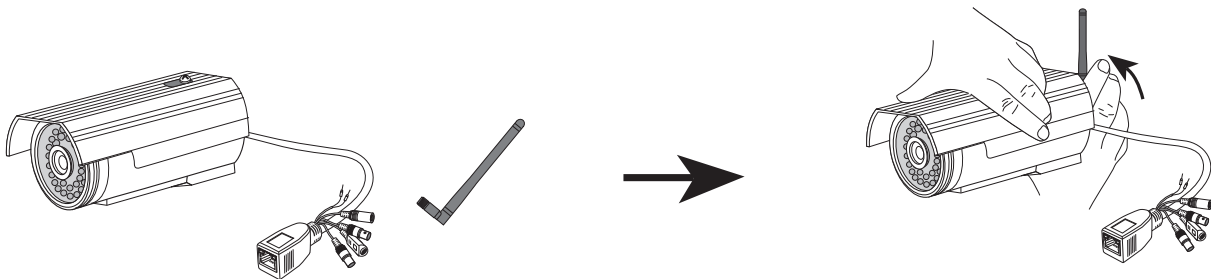
Before installation

Please read the following instructions before installing your camera:

- You have to check whether the location (ceiling or wall) can bear five times the weight of your camera.
- Do not allow the cable to be caught in a pinched area, otherwise the electric line cover may be damaged. This may cause cable breakdown or fire.
- When installing your camera, don't allow anyone to walk or stand under your installation site, and remove all valuable items. A dropped camera may cause injury to bystanders or harm to valuable items.

Installation procedure

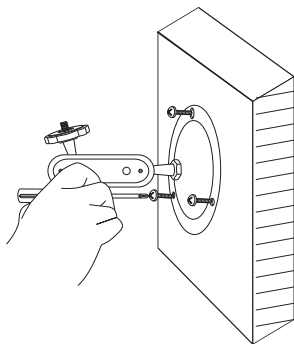
- To install your camera



step

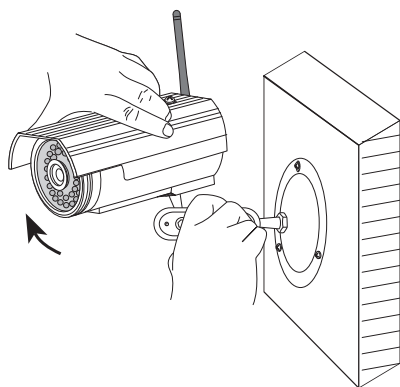
- 1 First install the antenna on the camera by rotating it on clockwise. Then rotate the Mount Bracket counterclockwise until it gets off the camera. Now you are ready for installation.

HOW TO INSTALL



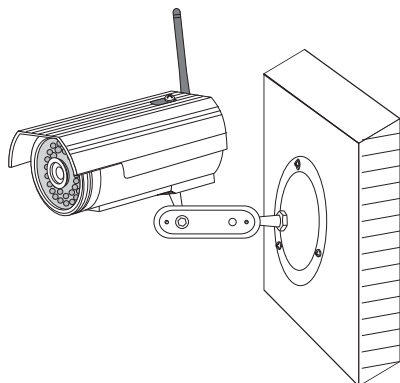
step

2 Attach the Mount Bracket to the mounting location using the 3 screws supplied in your package. As shown in the picture, push the three screws into the three holes on the Mount Bracket, then twist the screws into the mounting location using a screwdriver.



step

3 Attach the Main Body of the camera to the Mount Bracket by twisting the Mount Bracket into the screws under the camera.



step

4 Last, adjust the slope of the lens by twirling the cameras up and down, left and right to make sure that the front of the Main Body is facing the camera's monitoring area.

CAMERA SPECIFICATION

Specifications for NTSC & PAL Standard

Item	Details		
Product type	Wireless IP Network Camera		
Power input	DC 12V/1A		
Wireless Standard	WIFI, 802.11 b/g		
IP Mode	Dynamic IP address, Static IP Address, PPPOE		
Video Compression	MJPEG		
Image device	1/4 inch Color CMOS		
Frame Rate	30fps (640x480) Max		
Resolution	VGA (640X480) / CIF(320X240) / QCIF(160X120)		
Electronic Shutter	1/50s (1/60s)~ 1/100,000s		
P/T Control	Built-in Rs485 P/T control		
P/T Protocol	PELCO-D protocol, Baud Rate: 9600, Address:1		
Minimum illumination	0.1Lux (F1.2)		
IR Lamps	36 LEDs		
IR Distance	Visible up to 25m(80')		
Web Server	Built-in		
Lens	Focal Length	Zone	Limit of Viewing Angle
	6 mm	Horizontal	53°
		Vertical	45°
S/N Ratio	> 48dB		
Network Connection	10/100 Ethernet (RJ-45)		
Network Protocol	TCP/IP, HTTP, ICMP, DHCP, FTP, SMTP, PPPoE etc.		
Simultaneous Visitor	5 Direct Visitors at the Same Time, no Limitation Using Forwarder Server		
Motion Detection	Motion Detection Setting		
Product color	Grey		
Operation temperature	14F—122F		
Weatherproof	Yes		
Alarm	1 CH Input / 1 CH Output		
Alarm Action	Support Email, Message, etc. Alarm		
Operating System	Microsoft Win98 SE/ME/2000/XP/Vista, Internet Explorer 5.0, NET4.5		

FCC Statement

This device complies with part 15 of the FCC Rules. Operation is subject to the following two conditions:

- 1) This device may not cause harmful interference.
- 2) This device must accept any interference received including interference that may cause undesired operation.

Note

This equipment has been tested and found to comply with the limits for a Class A digital device, pursuant to part 15 of FCC Rules. These limits are designed to provide reasonable protection against harmful interference when the equipment is operated in a commercial environment. This equipment generates, uses, and can radiate radio frequency energy and, if not installed and used in accordance with the instruction manual, may cause harmful interference to radio communications. Operation of this equipment in a residential area is likely to cause harmful interference in which case the user will be required to correct the interference at his own expense.

Correct Disposal of This Product



(Waste Electrical & Electronic Equipment) (Applicable in the European Union and other European countries with separate collection systems)

This marking shown on the product or its literature, indicates that it should not be disposed with other household wastes at the end of its working life. To prevent possible harm to the environment or human health from uncontrolled waste disposal, please separate this from other types of wastes and recycle it responsibly to promote the sustainable reuse of material resources.

Household users should contact either the retailer where they purchased this product, or their local government office, for details of where and how they can take this item for environmentally safe recycling. Business users should contact their supplier and check the terms and conditions of the purchase contract. This product should not be mixed with other commercial wastes for disposal.

Zmodo

SKU: CM-I12316GY

CE FC

