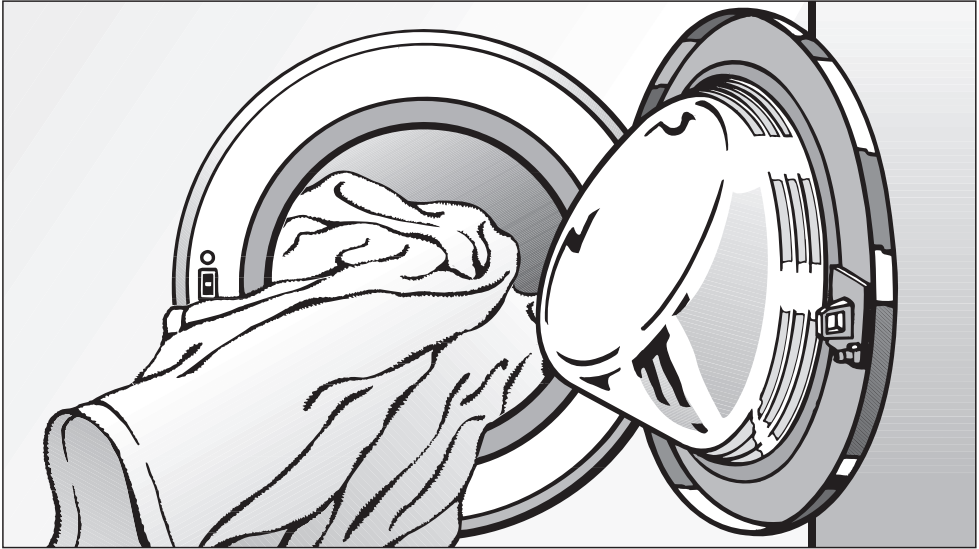


Miele

HONEYCOMB CARE



Operating instructions for Washing machine W 3831 WPS

To avoid the risk of accidents or damage to the machine, it is **essential** to read these instructions before it is installed and used for the first time.

en - AU, NZ

M.-Nr. 06 920 690

Caring for the environment

Disposal of the packing material

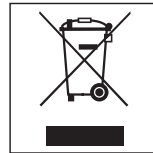
The transport and protective packing has been selected from materials which are environmentally friendly for disposal and can normally be recycled.

Ensure that any plastic wrappings, bags, etc. are disposed of safely and kept out of the reach of babies and young children. Danger of suffocation.

Rather than just throwing these materials away, please ensure they are offered for recycling.

Disposal of your old appliance or machine

Electrical and electronic appliances / machines often contain materials which, if handled or disposed of incorrectly, could be potentially hazardous to human health and to the environment. They are, however, essential for the correct functioning of your appliance or machine. Therefore, please do not dispose of your old machine or appliance with your household waste.



Please dispose of it at your local community waste collection / recycling centre and ensure that it presents no danger to children while being stored for disposal.

It should be unplugged or disconnected from the mains electricity supply by a competent person.

The plug must be rendered useless and the cable cut off directly behind the appliance or the machine to prevent misuse.

Caring for our environment	2
Warning and Safety instructions	6
Description of the machine	10
Control panel	10
Before using for the first time	12
Washing environmentally and economically	13
Energy and water consumption	13
Detergent	13
Degree of soiling	13
When drying with a tumble dryer	13
How to wash correctly	14
Brief instructions	14
Degree of soiling, Water plus, Buzzer	19
Light	19
Normal	19
Heavy	19
Water plus	19
Buzzer	19
Spinning	20
Final spin speed	20
Rinse and interim spin	20
To omit the final spin (Rinse hold)	20
To omit rinse and interim spin and the final spin	20
Programme chart	21
Programme sequence	23
Garment care label symbols	25

Contents

Changing the programme sequence	26
Cancelling a programme	26
Interrupting a programme	26
Altering a programme	26
Adding or removing laundry after a programme has started	27
Safety lock	27
System lock	28
Detergent	29
The correct detergent	29
Water softeners	30
Washing with several components	30
Fabric conditioners and liquid starch	31
Automatic dispensing of fabric conditioner or liquid starch to laundry at the end of a programme	31
Colour run and dye removers / dyes	31
Cleaning and care	32
External casing and fascia panel	32
Extra cleaning	32
Cleaning the detergent dispenser drawer	32
Cleaning the filter in the water inlet	34
Problem solving guide	35
What to do, if	35
The programme does not start	35
The wash programme stops and a fault indicator light comes on	36
General problems	37
An unsatisfactory wash result	38
The drum door cannot be opened by pressing the Door button	39
Opening the drum door in the event of a blocked drain outlet and/or power failure ..	40
After sales service	42
Future updates (PC)	42
Appliance guarantee	42
Optional accessories	42

Installation and connection	43
Front view	43
Rear view	44
Installation surface	45
Installing the washing machine	45
Removing the transit fittings	45
Re-fitting the transit bars	47
Levelling the machine	48
Screwing out and adjusting the feet	48
Building under a continuous worktop / in a kitchen run	49
Washer and Dryer stack	49
The Miele Waterproof system	50
Connection to the water supply	51
Connection to the water supply	52
Cold water connection (mains water supply)	52
Hot water connection	52
Connection to the drainage system	53
Electrical connection	54
Consumption data	55
Consumption data for AS/NZ 2040.2:2005 Standard	55
Notes for test institutes:	55
Consumption with hot water connection (55°C)	56
Technical data	57
Programmable functions	59
Water plus system	59
Gentle action	60
Suds cooling in the Cottons programme	61
Increase the duration of the main wash	62
Buzzer	63
Keypad tones	64
Memory function	65
Pre-wash with the Heavy Degree of soiling option	66

Warning and Safety instructions

This washing machine conforms to current safety requirements. Inappropriate use can, however, lead to personal injury and damage to property.

To avoid the risk of accidents and damage to the washing machine, please read these instructions carefully before using it for the first time. They contain important information on its installation, safety, use and maintenance. Keep these instructions in a safe place and ensure that new users are familiar with the content. Pass them on to any future owner.

Correct application

▶ Only use the washing machine to wash items which are specified by the manufacturer to be machine-washable on the wash-care label, and textiles composed of hand-washable wool or wool blend fabrics as well as satin, lace, silk and other hand-washable garments. Any other applications may be dangerous. The manufacturer cannot be held liable for damage resulting from incorrect or improper use or operation.

▶ This washing machine is not intended for use by persons (including children) with reduced physical, sensory or mental capabilities, or lack of experience and knowledge, unless they have been given supervision or instruction concerning its use by a person responsible for their safety.

Safety with children

▶ Keep children away from the washing machine at all times. It is not a toy! To avoid the risk of injury do not allow children to play on or near it or to play with its controls. Supervise children whilst you are using it.

▶ Older children may only use the washing machine if its operation has been clearly explained to them and they are able to use it safely, recognising the dangers of misuse.

▶ For machines with a 'porthole' door, remember that the porthole glass will be hot when washing at very high temperatures. Do not let children touch it.

Technical safety

► Before setting up the washing machine, check it for any externally visible damage.

Do not install or use a damaged washing machine.

► Before connecting the washing machine, ensure that the connection data on the data plate (voltage and connected load) match the mains electricity supply. If in any doubt, consult a qualified electrician.

► The electrical safety of this washing machine can only be guaranteed when continuity is complete between it and an effective earthing system which complies with current local and national safety regulations. It is most important that this basic safety requirement is present and regularly tested, and where there is any doubt the household wiring system should be inspected by a qualified electrician. The manufacturer cannot be held liable for the consequences of an inadequate earthing system (e.g. electric shock).

► Do not connect the washing machine to the mains electricity supply by an extension lead. Extension leads do not guarantee the required safety of the appliance (e.g. danger of overheating).

► Faulty components must only be replaced by genuine Miele original spare parts. Only when these parts are fitted can the safety standards of the machine be guaranteed.

► Unauthorised repairs could result in unforeseen dangers for the user, for which Miele cannot accept liability. Repairs should only be undertaken by a Miele approved service technician. Ensure current is not supplied to the machine until after maintenance or repair work has been carried out.

► If the connection cable is faulty it must only be replaced by a Miele approved service technician to protect the user from danger.

► In the event of a fault or for cleaning purposes, the washing machine is only completely isolated from the electricity supply when:

- it is switched off at the wall socket and the plug is withdrawn, or
 - it is switched off at the mains, or
 - the mains fuse is withdrawn, or the screw-out fuse is removed (in countries where this is applicable).
- The Miele "Water protection system" protects from water damage provided the following conditions have been met:
- the machine is correctly plumbed in and connected to the electricity supply.
 - if a fault has been identified, the machine must be examined by a competent person before further use, and repaired if necessary.

► In areas which may be subject to infestation by cockroaches or other vermin, pay particular attention to keeping the machine and its surroundings in a clean condition at all times. Any damage which may be caused by cockroaches or other vermin will not be covered by the machine guarantee.

Warning and Safety instructions

▶ This washing machine may only be used in mobile installations such as ships if a risk assessment of the installation has been carried out by a suitably qualified engineer.

▶ Do not make any alterations to the washing machine, unless authorised to do so by Miele.

Correct use

▶ Do not install your washing machine in rooms where temperatures below freezing may occur. Frozen hoses may burst or split. The reliability of the electronic control unit may be impaired at temperatures below freezing point.

▶ Before using the washing machine for the first time, check that the transit bars at the rear of the machine have been removed (see section on "Installation"). During spinning, a transit bar which is still in place may result in damage to both the machine and adjacent furniture or appliances.

▶ Turn off the tap if the machine is to be left for any length of time (e.g. holiday), especially if there is no floor drain (gully) in the immediate vicinity.

▶ Flooding danger.

If hooking the drain hose into a wash basin, check that the water can drain off quickly enough to prevent the sink from overflowing. Make sure the drain hose is secure, so that the force of the water flowing out of the hose does not dislodge it.

▶ Take care to ensure that foreign objects (e.g. nails, pins, coins, paper clips) do not find their way into the machine with the laundry. These may damage components of the machine (e.g. suds container, drum), which in turn can result in damage to the laundry.

▶ If the correct amount of detergent is dispensed, the machine should not need to be descaled. If, however, you do wish to descale the machine only use proprietary non-corrosive descaling agents and strictly observe the instructions on the packaging. If in doubt contact the Miele Customer Service Department or your Miele Chartered Agent.

Warning and Safety instructions

▶ Textiles which have been pre-treated in solvent based cleaning agents must be thoroughly rinsed in clean water before being washed in the machine.

▶ Never use solvent based cleaning agents, e.g. those containing benzene, in this machine, as this may result in damage to component parts and create toxic fumes. Such agents also pose a fire and explosion hazard.

▶ Never use solvent based cleaning agents, e.g. those containing benzene, to clean the outside surfaces of this machine. They can cause damage to plastic surfaces.

▶ Only use dyes specified by the manufacturer as being suitable for use in a domestic washing machine. Always observe the manufacturer's instructions carefully.

▶ Colour run and dye removers contain sulphur compounds which can cause damage such as corrosion. Do not use these products in this machine.

▶ If liquid detergent comes into contact with the eyes, rinse them thoroughly with lukewarm water immediately. If swallowed, seek medical assistance immediately and retain the packaging or label for reference. Those with skin problems or sensitive skin should avoid their skin coming into contact with liquid detergent.

▶ Only remove laundry from the washing machine once the drum has stopped turning. Reaching into a moving drum is extremely dangerous and could result in injury.

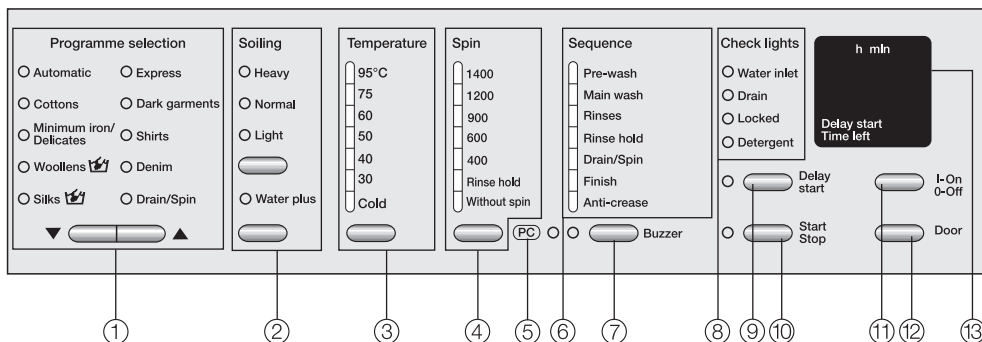
Accessories

▶ Accessory parts may only be fitted when expressly approved by Miele. If other parts are used, guarantee, performance and product liability claims will be invalidated.

Miele cannot be held liable for damage caused by non-compliance with these Warning and Safety instructions.

Description of the machine

Control panel



- ① **Programme buttons ▼▲**
For selecting a washing programme.
- ② **Soiling button**
For specifying the degree of soiling of the laundry.
Water plus button
For increasing the water level.
- ③ **Temperature button**
For selecting a temperature.
- ④ **Spin speed button**
For selecting a final spin speed.
- ⑤ **PC / Optical interface**
This is used by service technicians to run diagnostic checks on your machine and can also be used to update programming data in the future.
- ⑥ **Sequence indicator lights**
Show which section of the wash programme has been reached.
- ⑦ **Buzzer button**
- ⑧ **Check lights**
- ⑨ **Delay start button**
For delaying the start of a programme.
- ⑩ **Start/Stop button**
For starting the programme selected and cancelling a programme once it has started.
- ⑪ **I-On/O-Off button**
For switching the machine on or off.
- ⑫ **Door button**
Opens the machine door.
- ⑬ **Display (h min)**
The display fulfills several functions. See next page for details.

Description of the machine

Display

The display shows:

- the programme duration (Time left display)
- delay start
- the programmable functions

Programme duration

After the start of a programme, the estimated programme duration will appear in the display in hours and minutes.

When delay start is being used, the programme duration will appear after the delay start time has elapsed.

During the first 10 minutes the washing machine measures how much water is being absorbed by the laundry and uses this to calculate the load. The programme duration may be longer or shorter depending on this absorbency rate.

Delay start

The delay start time selected will appear in the display.

After the machine has started, the delay start time counts down. If the delay start time is more than 10 hours, it will count down by the hour. If it is less than 9 hours and 59 minutes it will count down minute by minute.

Once the delay start time has finished, the programme begins and the estimated programme duration shows in the display.

Programmable functions

The programmable functions can be used to tailor washing programmes to suit your individual requirements. In programming mode, the display will show the function selected.

Before using for the first time

Before using the machine for the first time ensure that it is correctly installed and connected. See "Installation and connection". Also check that the drain filter is securely tightened to prevent the risk of water leaks during use.

This washing machine has completed a comprehensive functional test. A small quantity of water remains in the drum as a result.

For safety reasons, spinning is not possible until the machine has been prepared for using for the first time. To activate the spinning function you must run a wash programme without laundry and without detergent.

Using detergent could result in an excessive build-up of foam.

This also activates the ball valve. The ball valve prevents detergent escaping from the suds container into the sump during a wash programme, thus making maximum use of the detergent.

- Open the tap.
- Press the *I-On/O-Off* button in.

The indicator light for the *Automatic* programme will come on.

- Press the ▼ programme button to select the *Cottons* programme.
- Press the *Start/Stop* button.

The programme will begin. When it has finished, your machine is ready for using for the first time.

Washing environmentally and economically

Energy and water consumption

- Water consumption and energy usage are determined by the size of the load.
To make the most out of your machine, load the maximum dry load for the programme you are using.
- Use the *Automatic* and *Express* programmes for small loads.
- When smaller amounts of laundry are washed using the *Cottons* programme, the automatic load recognition system will reduce the amount of water, time and energy used. This may mean that the time left shown in the display is adjusted during the course of the wash programme.
- Using the *Cottons Normal 40°C* program is recommended for a normally soiled load and is the program used in energy/water consumption tests to AS/NZS 2040 (refer to Consumption Data)
- Hot and cold water connection is standard on this machine. Hot water connection offers the following advantages:
 - decreased running time
 - increased energy savings with greenhouse-friendly hotwater such as solar-heated systems

Detergent

- Do not exceed the amounts of detergent recommended by the manufacturer on the packaging.
- Reduce the amount of detergent with smaller loads (approx. $\frac{1}{3}$ less than the amount recommended can be used when washing a half load).

Degree of soiling

With most of the programmes you can specify the degree of soiling of the laundry. The washing machine will then adjust the programme to suit the degree of soiling.

- **Light**
No visible dirt or stains.
- **Normal**
Visibly dirty and/or just a few slight stains.
- **Heavy**
Visible dirt and stains as well as soiling that has dried on or been left unwashed for a while.

When drying with a tumble dryer

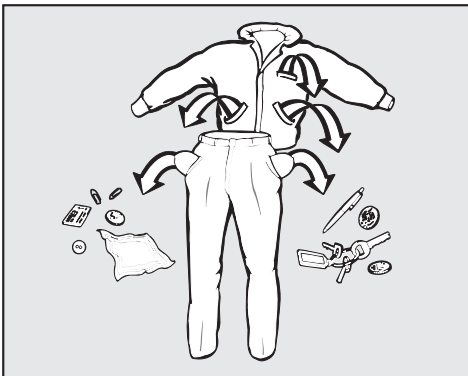
Selecting the highest possible spin speed for the wash programme will save energy when drying in a tumble dryer afterwards.

How to wash correctly

Brief instructions

The headings numbered ①, ②, ③, . . . show the operating sequence and can be used as brief instructions.

① Sort the laundry



- Empty all pockets.

⚠ Foreign objects (e.g. nails, coins, paper clips, etc.) can cause damage to garments and components in the machine.

- Badly soiled areas, stains etc. should be cleaned as soon as possible, preferably whilst still fresh. Spillages should be carefully dabbed off using a soft colourfast cloth. Do not rub!

Badly soiled areas can be pre-treated with liquid detergent, stain removers etc. first, following the manufacturer's instructions. With particularly stubborn stains ask your dry cleaner for advice.

⚠ If you use a solvent-based cleaning agent (e.g. one containing benzene) to pre-treat a stain, make sure that any plastic parts (e.g. buttons) are protected, and that the cleaning agent is rinsed off before washing the garment in the machine.

⚠ Do not use solvent-based cleaning agents in this machine.

- Sort the laundry by colour and by care label. Most garments have a textile care label in the collar or side seam.

Dark textiles often contain excess dye and should be washed separately several times first. Always wash whites and coloureds separately.

- Curtains: Remove lead weights first or place in a laundry bag.
- Underwiring and collar stiffeners: Any loose wiring in bras, shirt collar stiffeners, etc. should be removed or sewn in.
- Close any zips, fasten hooks and eyes etc before washing.
- Fasten duvet covers etc. to prevent small items from being rolled up inside them.

Do not wash any items in this machine which are specified by the manufacturer as **not washable** on the care label. (☒ symbol)

How to wash correctly

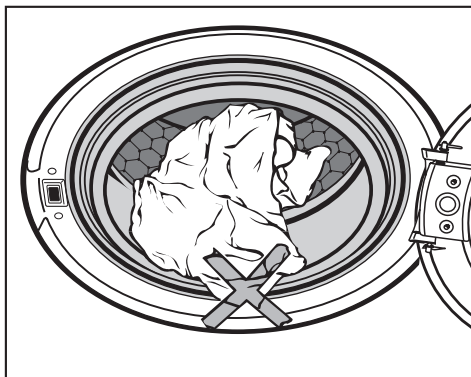
2 Switch on the washing machine

3 Load the drum

- Press the *Door* button to open the drum door.
- Unfold the laundry and load loosely in the drum. Mixing both large and small items gives better wash results and also helps distribute the load evenly during spinning.

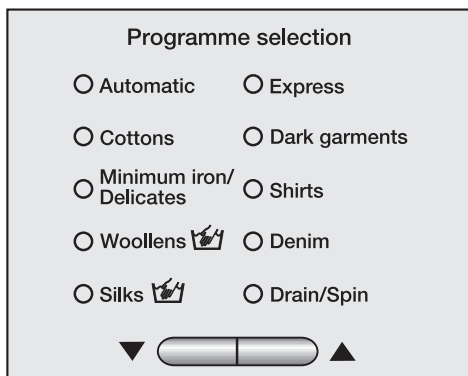
The most efficient use of energy and water is achieved when a full load is washed. However, do not overload as this causes creases and reduces cleaning efficiency.

Make sure that no garments are caught between the drum door and seal.



- Shut the door with a gentle swing.

4 Select a programme



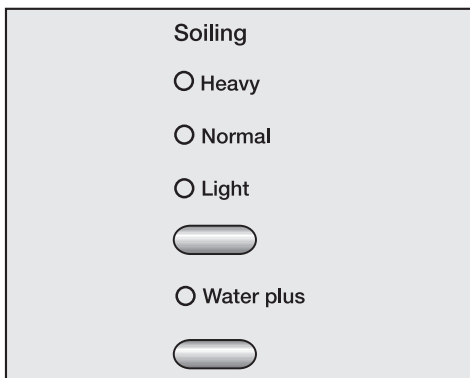
- Press the ▼ or ▲ button repeatedly until the indicator light for the programme you want lights up.

How to wash correctly

Specify the degree of soiling of the laundry

Press the top button to select the degree of soiling. *Normal* is the default setting.

Use the lower button to select the *Water plus* option.

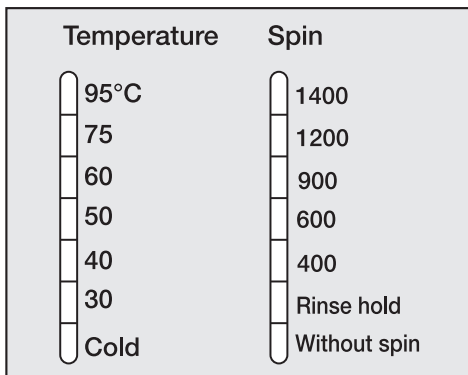


- Press the top button repeatedly until the degree of soiling you want lights up.
- Press the *Water plus* button if you want to activate this function.

You cannot select the degree of soiling or *Water plus* for every programme.

You can change the pre-set temperature or spin speed by pressing the **Temperature** or **Spin** button.

In some programmes the maximum temperature and spin speed is limited. The machine will not allow a higher value to be selected.



- Press the **Temperature** or **Spin** button repeatedly until the indicator light for the value you want comes on.
- Press the *Buzzer* button if you want to be reminded when the programme is finished.

How to wash correctly

5 Add detergent

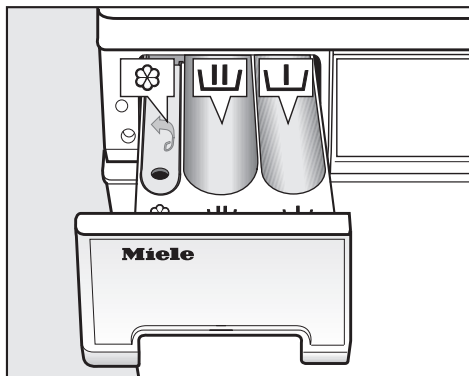
It is important to dispense the correct amount, because . . .

. . . too little detergent results in:

- Laundry not getting properly clean and with time it may become grey and hard to the touch.
- Greasy particles clinging to the laundry.
- Limescale deposits on the heater elements.



. . . too much detergent results in:

- Excessive foam which causes a low level of agitation and poor wash, rinse and spin results.
- Higher water consumption (an additional rinse cycle will automatically switch in).
- A burden to the environment.



- Pull out the detergent drawer and place detergent in the compartments as follows:



Detergent for the pre-wash (if the *Degree of soiling* has been set as *Heavy*, add $\frac{1}{3}$ to compartment  and $\frac{2}{3}$ to compartment .



Detergent for the main wash



Fabric conditioner or liquid starch.

- Close the detergent drawer.

See "Detergent" for further information.

How to wash correctly

6 Select Delay Start, if wished

Delay start allows you to delay the start of a programme from 30 minutes up to a maximum of 24 hours, allowing you to make use of night-time economy electricity rates, for example.

- Press the *Delay start* button. Each press on the button increases the delay start time:

- by 30 minutes up to 10 hours,
- by 1 hour from 10 hours upwards.

To cancel Delay start

- Press the *Delay start* button once when **24 h** is showing in the display.

To cancel Delay start after you have pressed the Start button:

- You will have to cancel the programme. See relevant section later in this booklet.

7 Start the programme

- Press the flashing *Start/Stop* button.

The estimated programme duration will then show in the display. This will count down in one minute steps. During the first 10 minutes the machine measures how much water is being absorbed by the laundry. The programme duration may be longer or shorter depending on this absorbency rate.

8 Remove the laundry when the programme as finished

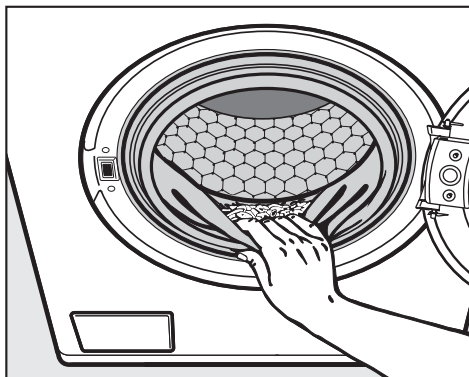
The *Finish* and *Anti-crease Sequence* indicator lights will come on when the programme is finished.

- Press the *Door* button to open the drum door.

- Remove the laundry.

Only remove laundry from the machine once the drum has stopped turning. Reaching into a moving drum is extremely dangerous and could result in injury.

Check that all items have been removed from the drum. Items left in the drum could discolour other items in the next wash or become discoloured themselves.



- Check the folds in the door seal for any small articles, e.g. buttons which might be lodged there.

- Switch the washing machine off with *I-On/O-Off* button.

To avoid the build-up of mildew, it is recommended that the door is left ajar when the machine is not in use.

Degree of soiling, Water plus, Buzzer

The washing machine will adjust the programme to suit the degree of soiling selected.

Light

No visible dirt or stains.

The duration of the main wash is reduced.

Normal


Visibly dirty and/or just a few slight stains.

The standard wash programme will be carried out.

Heavy

Visible dirt and stains and/or dried on soiling.

A fifteen minute pre-wash will be carried out and the duration of the main wash will be increased by 15 minutes.

The *Pre-wash* Sequence indicator light will flash. Add the appropriate amount of powder detergent to compartment .

You can also deactivate the Pre-wash and increase the duration of the main wash by 30 or 60 minutes instead of the standard default increase of 15 minutes. See "Programmable functions".

Water plus

If the *Water plus* button is pressed, the water level in the main wash and rinses is increased.

You can also alter the setting allocated to the *Water plus* button. See "Programmable functions".

Buzzer

The buzzer will sound at the end of the programme or when Rinse hold has been reached.

The buzzer will sound repeatedly until the machine is switched off.

Once switched on, the buzzer is active in all programmes until it is switched off again.

You can also change the volume of the buzzer or deactivate the buzzer button. See "Programmable functions".

The buzzer will always sound when there is a fault, even if it has been deactivated.

Spinning

Final spin speed

Programme	rpm
Automatic	1200
Cottons	1400
Minimum iron/Delicates	1200
Woollens	1200
Silks	400
Express	1400
Dark garments	1200
Shirts	600
Denim	900
Drain/Spin	1400

You can reduce the final spin speed. However, you cannot select a final spin speed higher than that shown in the chart above.

Rinse and interim spin

There is a spin after the main wash and between the rinses. A reduction in the final spin speed will also reduce the interim spin speed. If a spin speed of less than 700 rpm is selected for a *Cottons* programme, an additional rinse is introduced.

To omit the final spin (Rinse hold)

■ Select the *Rinse hold* setting. The laundry will not be spun and will remain suspended in the final rinse water. This reduces creasing if the laundry is not going to be removed from the drum immediately after the end of the programme.

– To start the final spin:

The Rinse hold indicator light will illuminate. Select the spin speed you want by pressing the spin speed button until the indicator light next to the spin speed you want illuminates. The washing machine will then start the final spin.


– To end the programme:

Press the *Door* button. The water will drain away. Press the *Door* button again to open the door.


To omit rinse and interim spin and the final spin

Select the *Without spin* setting. The laundry is not spun after the final rinse. The water will drain away and the machine will go straight into the anti-crease stage. An additional rinse is introduced if this setting is selected with the *Automatic*, *Cottons*, *Minimum iron/Delicates* and *Express* programmes.






















Programme chart

Automatic		40°C to cold	Max. load 3.5 kg
Fabric	Mixed loads of garments suitable for the <i>Cottons</i> and <i>Minimum iron</i> programmes. Sort according to colour.		
Note	The wash parameters (e.g. water level, wash rhythm and spin speed) are adjusted automatically in this programme to ensure the best possible care and wash result for each item.		
Cottons		95°C to 30°C	Max. load 6.5 kg
Fabric	Cotton and linen fabrics, e.g. bed linen, table linen, towelling, jeans, underwear, T-shirts, nappies.		
Note	Only use the <i>Cottons 95°C</i> programme for heavily soiled laundry.		
Minimum iron/ Delicates		60°C to cold	Max. load 3.0 kg
Fabric	Synthetic fibres, mixed fibres, rayon and easy care cottons. Curtains, including net curtains, specified as machine-washable by the manufacturer.		
Notes	<ul style="list-style-type: none"> – Due to the large amount of fine dust in curtains, we recommend selecting the <i>Heavy Degree</i> of soiling setting and also the <i>Water plus</i> option. Only wash a maximum load of 2 kg. – For curtains which crease easily, reduce the spin speed or select <i>Without spin</i>. 		
Woollens 		40°C to cold	Max. load 3.0 kg
Fabric	Machine-washable or hand-washable wool or wool blend fabrics. If the care label does not specify a temperature wash using the cold setting.		

Programme chart

Silks 		30°C to cold	Max. load 2.0 kg
Fabric	Hand-washable fabrics with no wool content, e.g. satin, lace and silk.		
Note	Place socks, tights, bras etc. in a washing bag.		
Express		40°C to cold	Max. load 3.0 kg
Fabric	Small loads of items which require freshening up and which can be washed in a <i>Cottons</i> programme.		
Note	This programme can be used for rinsing individual items. Select the cold setting, and do not add any detergent.		
Dark garments		40°C to cold	Max. load 3.0 kg
Fabric	Dark garments made from cotton or mixed fibres.		
Note	Wash inside out.		
Shirts		60°C to cold	Max. load 2.0 kg
Notes	<ul style="list-style-type: none"> – Pre-treat collars and cuffs if necessary. – Wash silk garments in the <i>Silks</i> programme. 		
Denim		60°C to cold	Max. load 3.0 kg
Notes	<ul style="list-style-type: none"> – Wash denim inside out. – Denim often contains excess dye and will run during the first few washes. Wash light and dark coloured items separately. 		
Drain/Spin			Max. load 6.0 kg
Notes	<ul style="list-style-type: none"> – Make sure you select the appropriate spin speed. – Drain only: Select Without spin. Do not use for woollens. 		

Programme sequence

	Main wash		Rinses		Spinning	
	Water level	Wash rhythm	Water level	Rinses	Interim spin	Final spin
Automatic		ⒶⒷⒸ		2-3 ²⁾	✓	✓
Cottons		Ⓐ		2-3 ¹⁾	✓	✓
Minimum iron/ Delicates		Ⓓ		2-3 ²⁾	✓	✓
Woollens		Ⓔ		2	✓	✓
Silks		Ⓔ		2	–	✓
Dark garments		Ⓑ		3	✓	✓
Shirts		Ⓒ		2	–	✓
Express		Ⓑ		2-3 ²⁾	✓	✓
Demin		Ⓒ		3	–	✓
Drain/Spin	–	–	–	–	–	✓
 = Low water level  = Medium water level  = High water level Ⓐ = Intensive rhythm Ⓑ = Normal rhythm Ⓒ = Gentle rhythm Ⓓ = Sensitive rhythm Ⓔ = Handwash rhythm						
See the following page for more information about the programme sequences.						

Programme sequence

This machine has fully electronic controls with automatic load recognition. It takes in the right amount of water required for the programme depending on the amount of laundry and its absorbency rate. This means that programme cycles and durations can vary.

The programme sequences outlined in the chart are based on the basic programme with a full load. Extra options which can be selected have not been taken into account.

The programme sequence display shows the stage the programme has reached.

Special features in the programme sequences:

Anti-crease:

At the end of every programme, with the exception of the *Cottons* and *Woollens* programme, the drum continues to turn at intervals for up to 30 minutes to help prevent creasing. The door can be opened and laundry removed at any time during the anti-crease phase.

1) A third rinse is carried out if:

- there is too much foam in the drum
- a spin speed lower than 700 rpm has been selected
- *Without spin* has been selected

2) A third rinse is carried out if:

- *Without spin* has been selected

Garment care label symbols

Washing	
The figure quoted in the bucket is the maximum temperature the garment can be washed at. The number of bars under the symbol indicates the level of agitation permitted.	
	No bar under the symbol: = normal agitation
	One bar under the symbol: = reduced agitation
	Two bars under the symbol: = much reduced agitation
	Hand wash (if no temperature is specified use the lowest temperature or cold)
	Do not wash

Examples for programme selection

Programme	Care label
Cottons	
Minimum iron	
Delicates	
Woollens	
Silks	
Express	
Automatic	

Drying	
The number of dots indicates the drying temperature	
	Normal temperature
	Low temperature
	Do not tumble dry

Ironing	
The number of dots indicates the ironing temperature	
	Hot iron (max sole plate temp. approx. 200°C)
	Medium hot iron (max sole plate temp. approx. 150°C)
	Cool iron (max sole plate temp. approx. 110°C). Do not steam iron garments carrying this symbol.
	Do not iron

Professional cleaning	
	Dry clean only. The letters indicate the type of cleaning agent required.
	Professional Wet Clean only
	Do not dry clean

Bleaching	
	Any oxidising bleaching agent can be used
	Only use an oxygen based bleach or a non-chlorine bleach
	Do not bleach

Changing the programme sequence

Cancelling a programme

You can cancel a programme at any time after it has started.

- Press the *Start/Stop* button briefly.

The suds will be pumped away and the programme is cancelled.

If you want to remove the laundry:

- Press the *Door* button.

If you want to select a different programme:

- Switch the washing machine off with *I-On/0-Off* button.
- Switch the washing machine back on again.
- Select a different programme.

Interrupting a programme

- Switch the washing machine off with *I-On/0-Off* button.

To continue with the same programme:

- Switch the machine back on with the *I-On / 0-Off* button.

Altering a programme

Wash programme

After the start of a programme it is no longer possible to select a different programme.

You will need to cancel the current programme before you can select a new one.

Temperature

It is possible to alter the temperature up to 5 minutes after the start of a programme.

Spin speed

You can select a different spin speed up until the final spin begins.

Degree of soiling

The degree of soiling setting cannot be altered after the start of a programme.

Water plus and Buzzer

The buzzer can be switched on or off at any time.

Water plus cannot be selected or deselected after the programme has started.

Please note that no changes are possible if the safety lock has been activated.

Changing the programme sequence

Adding or removing laundry after a programme has started

- Press the *Door* button to open the drum door.
- Add or remove items.
- Close the drum door.

The programme will continue automatically.

Please note:

Once a programme has started the machine cannot recognise any adjustment to the load.

For this reason, if laundry is added or removed after the start of a programme, the machine will always complete the programme cycle assuming a full load which can lead to an increase in the programme duration shown in the display.

The door cannot be opened, if:

- the suds temperature is above **55°C**.
- the water is above a certain level.
- the programme has reached the Final spin stage.
- the safety lock has been activated.

The *Locked* check light will come on if the *Door* button is pressed when the above conditions are present.

Safety lock

The safety lock prevents the machine from being opened or the programme cancelled or the temperature or spin speed being altered during a wash programme.

To activate the safety lock

- Once the programme has started, press the *Start/Stop* button for at least 4 seconds until the *Locked* check light appears to the left of the display.

The safety lock is now activated.

The machine will now not accept any changes and the programme will proceed through to the end.

The safety lock is deactivated automatically at the end of the programme.

To deactivate the safety lock

Once the programme has started, press the *Start/Stop* button for at least 4 seconds until the *Locked* check light to the left of the display goes out.

Changing the programme sequence

System lock

The system lock prevents your machine being used without your knowledge.

If the system lock has been activated it is not possible to start a programme.

To activate the system lock

Before you begin, first ensure that:

- The washing machine is switched off.
- The drum door is closed

- ➊ Press the *Water plus* and *Temperature* buttons at the same time and hold them pressed in until you reach step ➋.
- ➋ Switch the machine on with the *I-On/O-Off* button.
- ➌ Press the *Degree of soiling light/normal/heavy* button three times.
- ➍ Then release the *Water Plus* and *Temperature* buttons.

The *Locked* check light will flash.

- ➎ Switch off the washing machine.

To deactivate the system lock

Repeat steps ➊ to ➌. The *Locked* check light will go out.

The correct detergent

All modern detergents produced for automatic **Front loading** washing machines are suitable. Use dispensing aids, e.g. balls, if these are supplied with the detergent. Tablets are suitable for full loads, but note that it may be impractical to reduce tablets for smaller loads. Some tablets do not dissolve as rapidly as others, and may not be suitable for programmes with short durations.

Do not use biological detergents on silk as the enzymes may damage the silk! Instructions for use and recommended dosage amounts are given on the detergent packaging.

For programmes without pre-wash or time delay start, liquid detergent can either be dispensed placing a ball shaped container (commonly provided by the detergent manufacturer) straight onto the laundry load or alternatively dispensed through the detergent dispenser drawer. For programmes with pre-wash or delay start facility (where applicable), an additional liquid detergent dispenser insert (Material number 5077370) is available from the Miele Spare Parts Department.

	All purpose detergent for whites*	Detergent for coloured fabrics*	Detergent for delicates
Automatic	X	X	
Cottons	X	X	
Minimum iron/Delicates		X	X
Woollens	Liquid detergent for machine-washable woollens		
Silks			X
Express	X	X	X
Dark garments		X ¹⁾	
Shirts	X	X	
Denim		X ¹⁾	

1) Only use liquid detergent

2) Only use powder detergent or detergent specifically designed for washing curtains

*Powder detergent, tablet detergent, liquid detergent and liquid tab detergent.

Detergent

The right amount to dispense will depend on the following:


- The quantity of laundry.
- The soiling level of the laundry.
 - Lightly soiled
No visible dirt or stains. Possibly slight body odour.
 - Normally soiled
Visibly dirty and/or just a few slight stains.
 - Heavily soiled
Stains and soiling clearly visible.
- The water hardness level.
- Check with your local water supplier if you do not know the water hardness level in your area.

Water softeners

A water softener can be used to cut down on the use of detergents in hard water areas. Dispense according to the amount specified on the packaging. First add detergent and then the water softener.

Use a quantity of detergent as for soft water.

Washing with several components

If you wash using several components (e.g. special application detergents), dispense them into compartment  in the following order:

1. Detergent
2. Water softener
3. Stain remover

This way the agents are distributed more efficiently.

Fabric conditioners and liquid starch

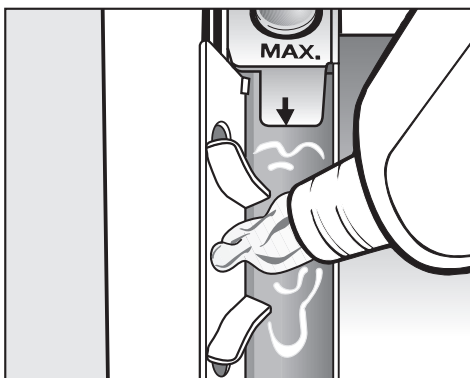
Fabric conditioners

make garments soft to handle and help prevent static cling when tumble drying.

Starch

stiffens and gives body to items of laundry, e.g. shirts, tablecloths and bed linen.

Automatic dispensing of fabric conditioner or liquid starch to laundry at the end of a programme



- Add the fabric conditioner or liquid starch to compartment ☼. **Do not exceed the maximum level mark.**


It will be automatically dispensed in the last rinse. At the end of the programme a small amount of water remains in the fabric conditioner compartment ☼.


If starching frequently, clean the dispenser compartment, especially the siphon tube, regularly. See "Cleaning the detergent dispenser drawer". Do not use powder starch formulations or viscous liquid starch in the ☼ compartment as it will clog up.

Colour run and dye removers / dyes

- Do not use colour run or dye removers in this machine.
- Dyes suitable for use in domestic washing machines can be used. However, please note that the salt used in the dyeing process can cause corrosion to stainless steel components in the machine if you dye frequently. Always observe the manufacturer's instructions carefully.


Cleaning and care

 Disconnect the machine from the mains electricity supply and withdraw the plug from the socket before cleaning the machine.

 The washing machine must not be hosed down.

External casing and fascia panel

- Clean the casing with a mild non-abrasive cleaning agent or soap and water using a well wrung-out cloth. Wipe dry with a soft cloth.
- The drum can be cleaned using a suitable proprietary stainless-steel cleaning agent following the manufacturer's instructions on the packaging.

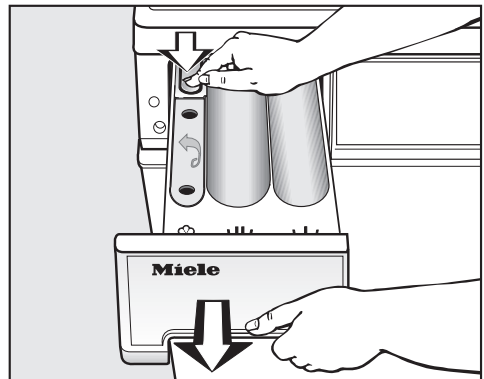
 Do not use solvents, abrasive cleaners, glass cleaners or all-purpose cleaning agents. These might damage plastic surfaces and other components because of the chemicals they contain.

Extra cleaning

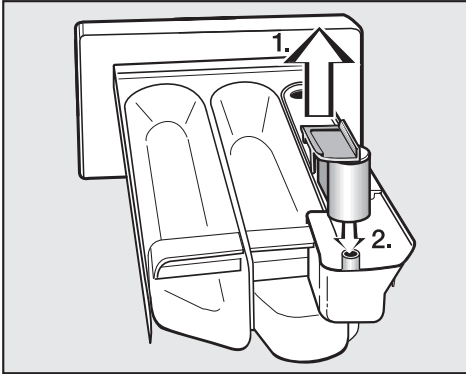
Carry out a hot wash (70°C or above) with powder detergent approx. every 6 weeks to help prevent deposits building up in the machine. These can occur when washing is mainly done at low temperatures, and also lead to unpleasant smells. If you have no reason to wash occasionally at this high temperature, then run a Cottons 95°C programme with detergent but no laundry at regular intervals.

Cleaning the detergent dispenser drawer


Remove detergent residues regularly.



- Pull out the detergent dispenser drawer until a resistance is felt. Press down the release catch and at the same time pull the drawer right out of the machine.
- Clean the detergent drawer with warm water.

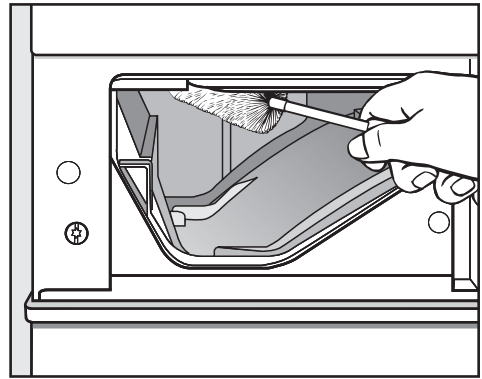


■ Clean the siphon.

1. Remove the siphon from compartment  and rinse under warm running water. Clean the siphon tube in the same way.
2. Replace the siphon.

If starching frequently, thoroughly clean the siphon and siphon tube regularly. A build-up of starch will cause them to get clogged.

Cleaning the detergent dispenser drawer housing



- Use a bottle brush to remove detergent residues and limescale from the jets inside the detergent dispenser drawer housing.

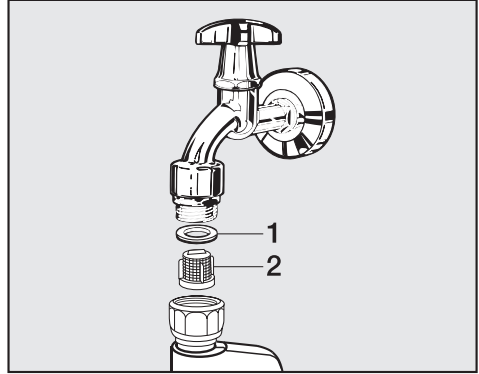
Cleaning and care

Cleaning the filter in the water inlet

The washing machine has a filter to protect the water inlet valve.

The accessible filter in the union in the open end of the inlet hose should be checked every six months, or more often if there are frequent interruptions to the external water supply.

- First turn off the tap.
- Unscrew the threaded union connecting the free end of the inlet hose to the tap.




- Remove the rubber seal **1** from the recess.
- Using pointed pliers, take hold of the plastic filter bar **2** and remove.
- Clean the plastic filter.
- Put the filter and seal back in the reverse order and reconnect the hose.

Turn on the tap and check the connection is watertight. If water drips out, tighten the connection.

Never forget to put the filter back in place after cleaning.

What to do, if . . .

With the help of the following notes, minor faults in the performance of the appliance, some of which may result from incorrect operation, can be put right without contacting the Service Department.

 Repair work to electrical appliances should only be carried out by a suitably qualified person in accordance with local and national safety regulations. Repairs and other work by unqualified persons could be dangerous. The manufacturer cannot be held liable for unauthorised work.


The programme does not start		
Problem	Possible cause	Remedy
The display remains dark and no indicator lights are lit up.	There is no power to the machine.	Check whether <ul style="list-style-type: none"> – the mains plug is plugged in and switched on. – the fuse or circuit breaker has tripped.
The <i>Locked Check</i> light is flashing.	The electronic system lock has been activated.	De-activate the electronic system lock.
The programme does not start when <i>Drain/Final spin</i> has been selected.	The washing machine has not been prepared for using for the first time.	Prepare the machine as described in "Before using for the first time".
The programme does not start when the <i>Start/Stop</i> button is pressed.	The drum door is not properly closed.	Close the drum door.

Problem solving guide


The wash programme stops and a fault indicator light comes on.		
Problem	Possible cause	Remedy ①
The buzzer sounds and the <i>Drain</i> check light flashes. "-- --" appears in the display.	The water outlet is blocked or restricted.	Clean the drain filter and the drain pump as described in "Problem solving guide – Opening the drum door in the event of a blocked water outlet and/or a power failure".
	The drain hose has been fixed too high.	The maximum drain height is 1 m.
The buzzer sounds and the <i>Water inlet</i> check light flashes. "-- --" appears in the display.	The water inlet is blocked or restricted.	Check whether <ul style="list-style-type: none"> – the tap has been opened properly. – the inlet hose is kinked.
	The filter in the water inlet hose is dirty.	Clean the filter.
The buzzer sounds and the <i>Water inlet</i> and <i>Drain</i> check lights flash. "-- --" appears in the display.	The Miele Waterproof system has reacted.	Call the Service Department
The buzzer sounds and the <i>Pre-wash</i> or the <i>Rinse hold Sequence</i> indicator light flashes. "-- --" appears in the display.	There is a fault.	Start the programme again. If the fault message appears again, contact the Service Department.

① To switch off the fault message: Switch the washing machine off with *I-On/0-Off* button.

Problem solving guide

General problems		
Problem	Possible cause	Remedy
The <i>Excess detergent</i> check light comes on.	Excessive foam has built up during washing.	Use less detergent next time and follow the manufacturer's instructions on dosage given on the packaging.
The <i>Rinses Sequence</i> indicator light flashes.	There is a fault.	Start the programme again. If the fault message appears again, contact the Service Department.
The machine shakes during the spin cycle.	The machine feet are not level.	Level the machine (see "Installation and connection").
The laundry has not been spun properly and is still wet.	The machine detected an imbalance during the final spin and reduced the spin speed automatically.	Include both large and small items in the load as this will give better distribution.
The pump makes strange noises.	This is not a fault! These noises occur at the end of a pump sequence as a normal part of the operation.	
Large amounts of detergent residue remain in the detergent dispenser drawer.	The water pressure is too low.	<ul style="list-style-type: none"> – Clean the filter in the water inlet. – Select Water plus.
	Powder detergent used with water softeners can be sticky.	Add washing powder and then add the water softener.
Fabric conditioner is not completely dispensed or too much water remains in the  compartment.	The siphon tube is not correctly positioned or is clogged up.	Clean the siphon, (see "Cleaning and care - Cleaning the detergent dispenser drawer").
When laundry is dry it feels hard to the touch.	Too vigorous a wash action.	Programme in gentle action and more water.
	Not enough detergent used.	Increase detergent dose to prevent limescale build up in laundry.
	No fabric conditioner used.	Use fabric conditioner in last rinse.

Problem solving guide

An unsatisfactory wash result		
Problem	Possible cause	Remedy
Liquid detergent does not give the required result.	Liquid detergents usually contain no bleaching agents. They do not remove fruit, coffee and tea stains.	<ul style="list-style-type: none"> – Use a general purpose detergent containing a bleaching agent. – Pour stain removers into compartment  of the dispenser drawer and liquid detergent into a dispenser ball. – Never put stain removers and liquid detergent together in the dispenser drawer.
Grey, greasy particles cling to washed laundry.	Insufficient amounts of detergent were used to break down the particles of grease in heavily soiled laundry.	<ul style="list-style-type: none"> – Use more detergent. – Before washing the next load run a <i>Cottons 60°C</i> programme with liquid detergent but without a load.
A stale smell is in the drum and on laundry.	Low temperature washing.	Before washing the next load run a <i>Cottons 95°C</i> programme with powder detergent but without a load.
White residues which look like powder detergent are seen on dark textiles after washing.	The detergent contained compounds (zeolites) to aid water softening which are not soluble in water. They have ended up on the laundry.	<ul style="list-style-type: none"> – Try and brush off the residues with a soft brush once the laundry is dry. – Wash dark textiles using a detergent which contains no zeolites. Liquid detergents usually contain no zeolites. – Use the <i>Dark garments</i> programme.
Clothes are coming out creased.	Programme was overloaded.	Reduce quantity of clothes in drum.
	The wrong programme was used.	<ul style="list-style-type: none"> – Check care labels and the programme chart. – Use easy iron conditioners.

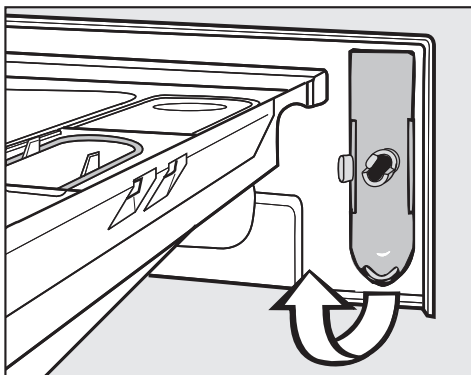
The drum door cannot be opened by pressing the Door button	
Possible cause	Remedy
The machine is not connected to the electricity supply.	Insert the plug in the socket and switch on.
The machine is not switched on.	Switch the machine on with the <i>I-On/O-Off</i> button.
The safety lock has been activated.	Deactivate the safety lock as described in "Changing the programme sequence - Safety lock".
The system lock is activated.	Deactivate the system lock as described in "Changing the programme sequence - System lock".
Power cut	Open the drum door as described in "Opening the door in the event of blocked drain outlet and/or power failure".
The door was not correctly engaged.	Press hard against the lock side of the drum door and then press the <i>Door</i> button.
There is still water in the drum and the machine is unable to drain.	Clean the fluff filter and drain pump as described in the next section.
For safety reasons the drum door cannot be opened when the suds temperature is higher than 55°C.	

Problem solving guide

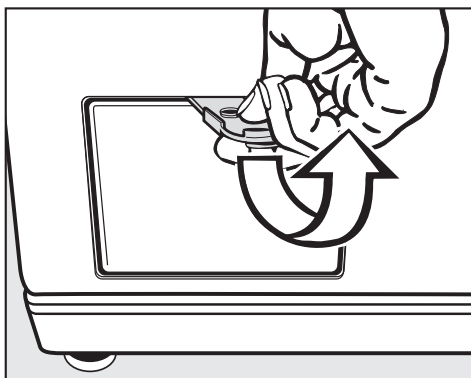
Opening the drum door in the event of a blocked drain outlet and/or power failure

- Switch the washing machine off.

There is a filter flap opener behind the detergent drawer facia panel.



- Remove the opener.



- Use it to open the access flap.

Blocked drain outlet

If the drain outlet is clogged, more water will be retained in the machine (**up to 25 litres**).

⚠ Caution: If laundry has been washed at a high temperature, water draining out of the machine will still be hot. Danger of scalding!

Procedure for draining the machine

- Place a suitable container under the access flap.

When draining water from the machine, do **not** unscrew the drain filter completely or take it right out.



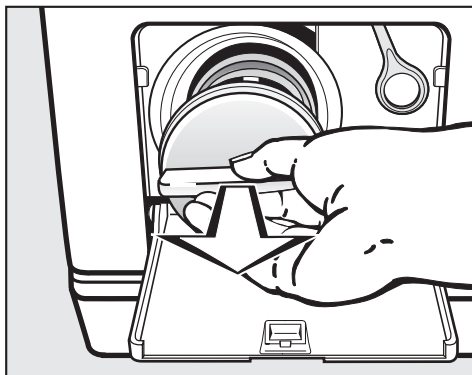
- Turn the drain filter lid round, until water runs out.

To interrupt the flow of water:

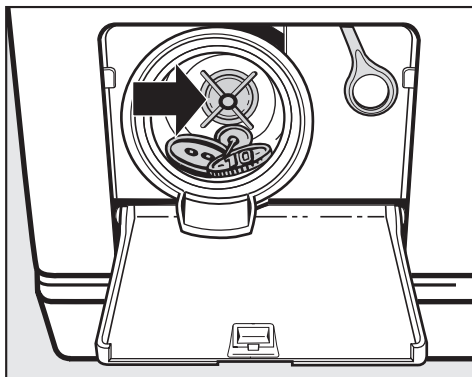
- Tighten the drain filter back up again.

Problem solving guide


Once the flow of water ceases:




- Remove the drain filter completely.
- Clean the drain filter thoroughly.

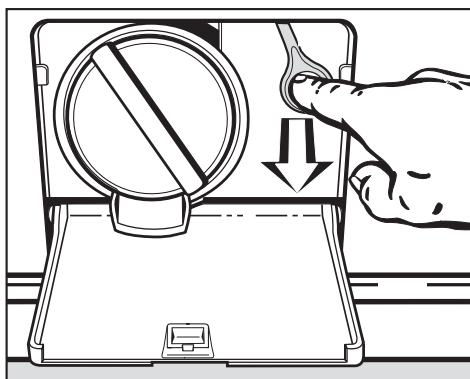


- Remove any foreign objects (e.g. buttons, coins, etc.) and fluff. Turn the impeller by hand to check that it rotates freely. Any foreign object causing an obstruction should be removed.
- Put the drain filter back in place and secure.

 Make sure the drain filter is securely tightened. Otherwise there is a risk of water leakage during use.

Opening the drum door

 Always make sure that the drum is stationary before reaching into the machine to remove laundry. Reaching into a moving drum is extremely dangerous.



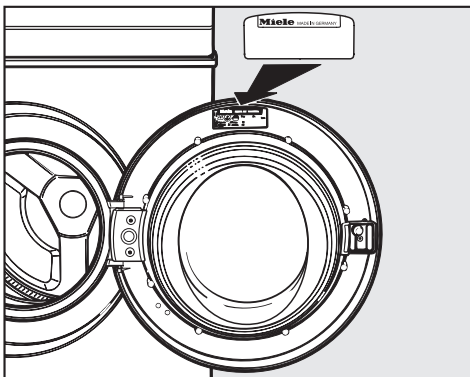
- Pull the emergency release downwards (see illustration). The drum door will open.

After sales service

In the event of any faults which you cannot remedy yourself, please contact:

- your Miele Chartered Agent or
- the Miele Service Department (see back cover for contact details).

When contacting the Service Department, please quote the model and serial number of your appliance, both of which are shown on the data plate visible at the top inside of the door above the porthole glass when the door is open.



Future updates (PC)

The indicator light marked PC allows a service technician to update your machine in future years.

If, for example, new programmes are developed or new fabrics are introduced, a Miele service technician will be able to modify existing programme cycles accordingly.

Miele will provide information when such developments become available.

Appliance guarantee

The appliance is guaranteed for a period of 2 years.

See the guarantee card supplied with the machine for further details.

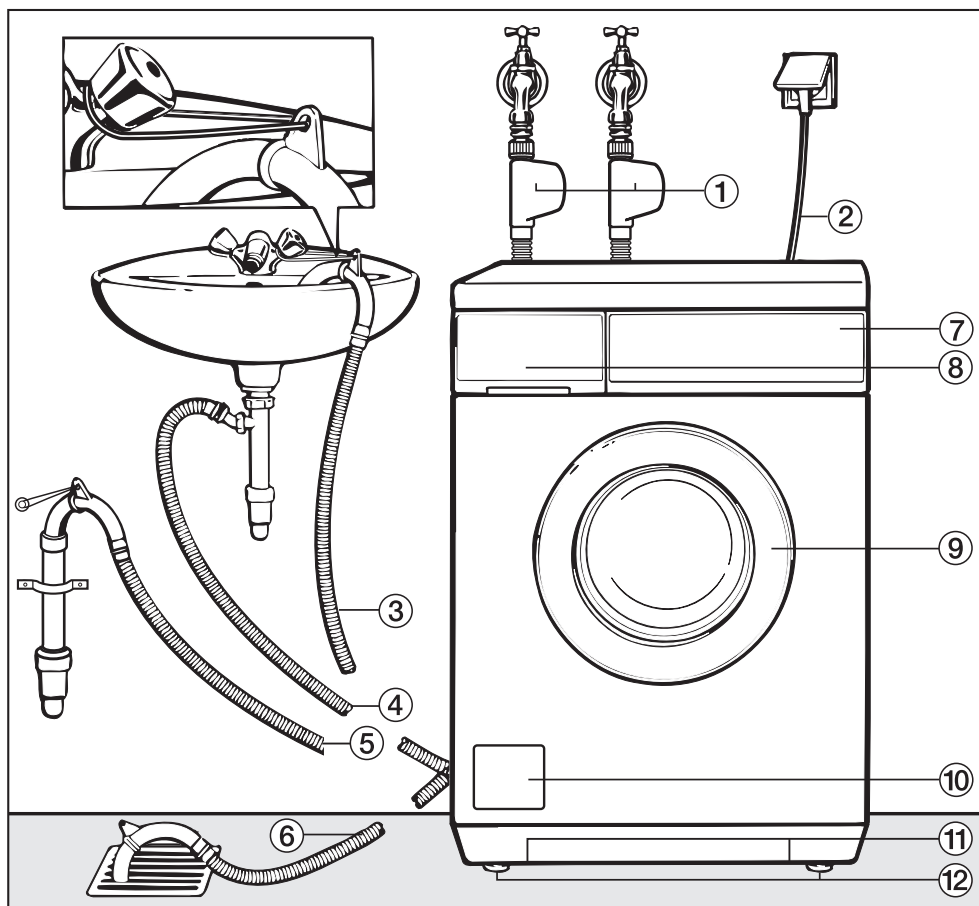
Optional accessories

Optional accessories for these washing machines are available from your Miele Chartered Agent or from the Miele Spare Parts Department.

Please note that telephone calls may be monitored and recorded to improve our service.

Installation and connection

Front view



① Inlet hoses with "Waterproof system" for cold water and hot water connection

② Electrical connection

③ - ⑥ Flexible drain hose (with detachable swivel elbow)

⑦ Facia panel with controls

⑧ Detergent dispenser drawer

⑨ Drum door

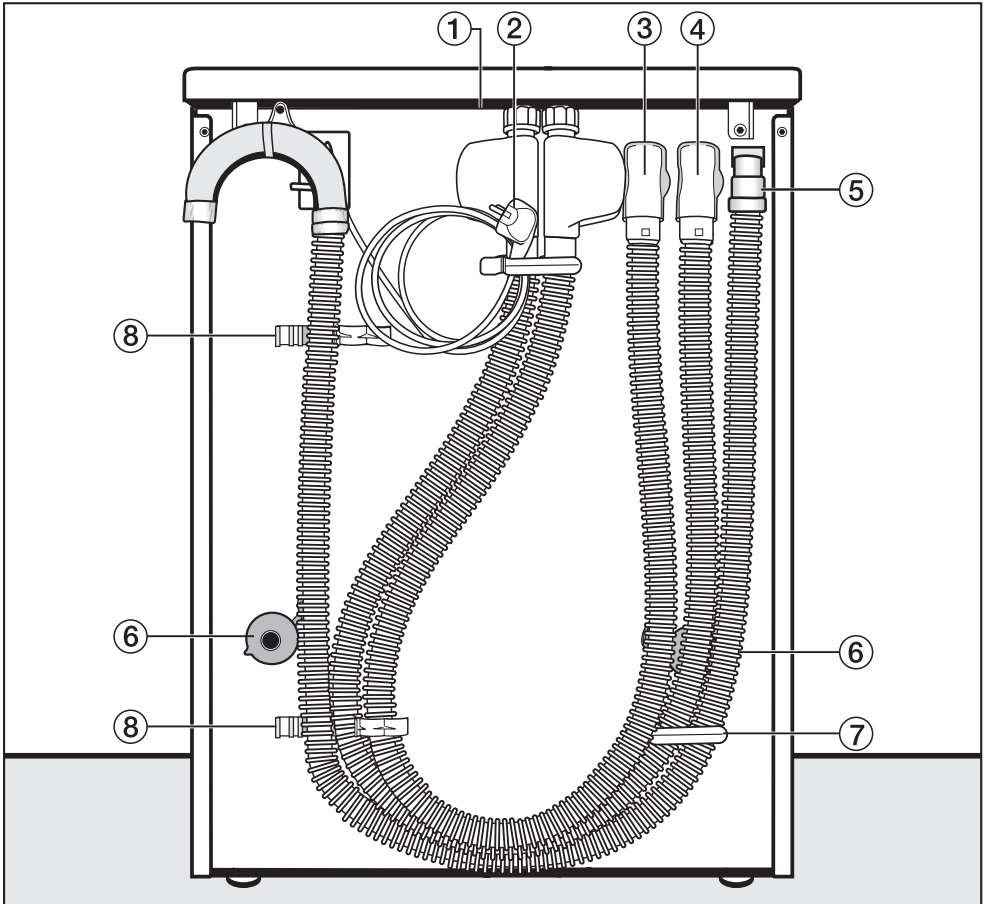
⑩ Flap for fluff filter, drain pump and emergency release

⑪ Handle recesses for moving the machine

⑫ Four height adjustable screw feet

Installation and connection

Rear view



- ① Protruding lid for holding when moving the machine
- ② Electricity supply cable
- ③ Inlet hose with "Waterproof" system for hot water connection
- ④ Inlet hose with "Waterproof" system for mains cold water connection
- ⑤ Drain hose
- ⑥ Transit bar covers
- ⑦ Restraining clip for inlet hose and drain hose
- ⑧ Restraining clips for transit bars when removed

Installation surface

A concrete floor is the most suitable installation surface for a washing machine, being far less prone to vibration during the spin cycle than wooden floorboards or a carpeted surface.

Please note the following points:

- The machine must be level and securely positioned.
- To avoid vibrations during spinning, the machine should not be installed on soft floor coverings.

If installing on a wooden joist floor:

- we recommend a plywood base (at least 59x52x3 cm). The base should span several joists and be bolted to the joists and not only to the floorboards. Check for the presence of pipes and cables.

If possible, install the machine in a corner, as this is usually the most stable part of the floor.

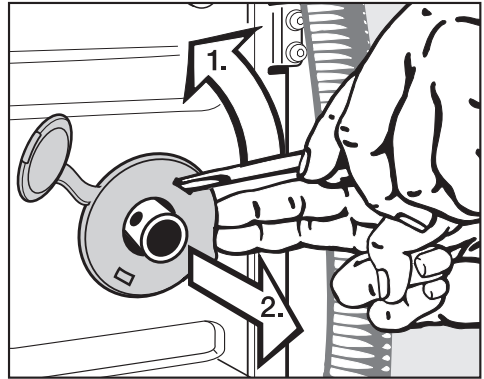
⚠ If the machine is installed on a raised plinth, it **has to be secured** against slippage during spinning using retaining clips (available from the Miele Spare Parts Dept).

Installing the washing machine

To manoeuvre the machine out of its packing case to its installation site hold it by the edge of the lid where it protrudes to the rear of the washing machine as well as by the handle recesses at the front.

⚠ Ensure that the machine feet and the floor are dry to prevent the machine from slipping during the spin cycle.

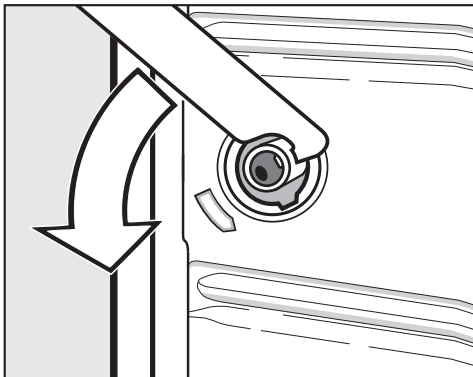
Removing the transit fittings



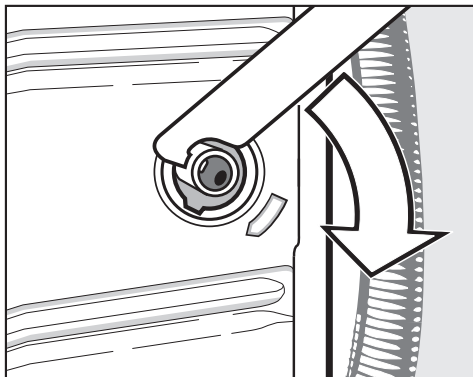
- To remove the left and right covers

1. Use a screwdriver to prise out the cover as illustrated.
2. Pull the cover forwards to remove.

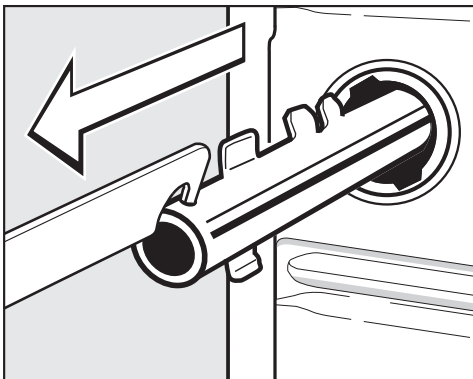
Installation and connection



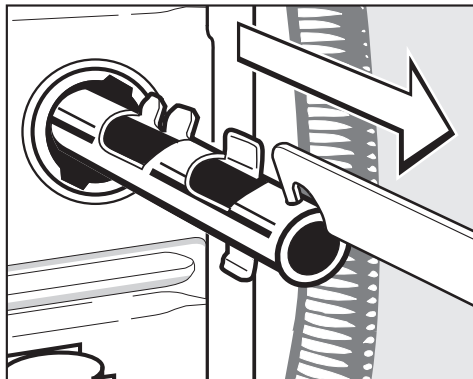
- Using the spanner supplied turn the left-hand transit bar 90°, then



- Turn the right-hand transit bar 90°, then




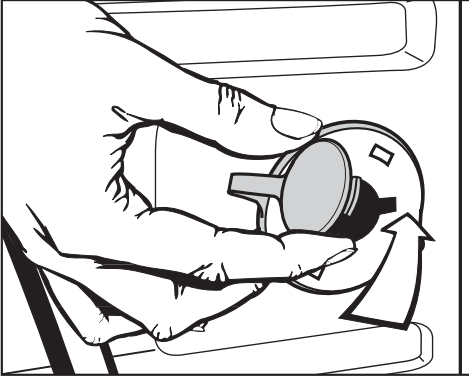
- withdraw the transit bar.



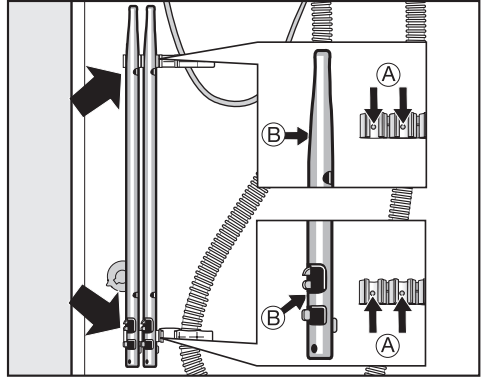
- withdraw the transit bar.

Installation and connection


 To avoid the risk of injury the holes for the transit bars must be covered after the transit bars have been removed.



- Fit the covers on to the two holes. Then plug the holes as shown with the caps.



- Secure the transit bars to the back of the washing machine. Make sure that holes **B** are fitted over retainers **A**.

 The washing machine must not be moved without the transit bars in place.

Store the transit bars as shown or keep them in a safe place for future use. They must be re-fitted if the machine is to be moved again (e.g. when moving house).

Re-fitting the transit bars

Re-fitting is carried out by reversing the procedure.

Installation and connection

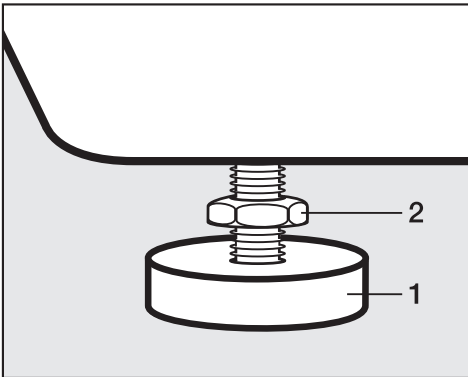
Levelling the machine

The machine must stand perfectly level on all four feet to ensure safe and proper operation.

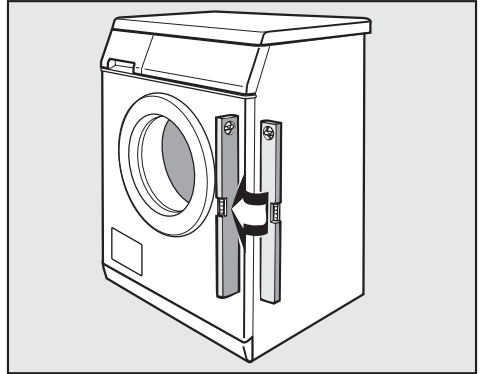
Failure to level the machine can result in the machine "banging" in the spin cycle or "walking" across the floor during operating.

Screwing out and adjusting the feet


The four adjustable screw feet are used to level the machine. All four feet are screwed in when the machine is delivered.



- Using the spanner supplied turn counter nut **2** in a clockwise direction. Then turn counter nut **2** together with foot **1** to unscrew.



- Use a spirit level to check the machine is standing level.
- Hold foot **1** securely with a pipe wrench. Turn counter nut **2** again using the spanner supplied until it sits firmly up against the housing.

 All four counternuts must be firmly up against the housing. Please also check this for the feet which did not need adjustment. Otherwise there is the danger of the machine moving about.

Building under a continuous worktop / in a kitchen run

- A special building under conversion kit* is required.
The machine lid must be replaced by a cover plate. To ensure electrical safety the cover plate must be fitted. **

N.B.**

If you wish to push your machine under a worktop and there is space to do this **without removing the lid**, the conversion kit is not necessary. Otherwise the conversion kit is essential.

- For installation under a work surface 900/910 mm from the floor, a raising kit* is required.
- Connections for electricity, water and drainage should be installed in such a way that they remain accessible when the machine is in place.

Fitting instructions are supplied with the conversion kit.

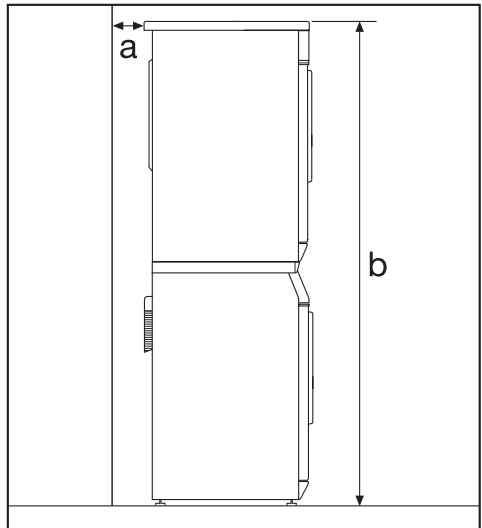
All parts marked* are available from the Miele Spare Parts or Sales Department.

The fitting of cover plates and stacking kits must only be undertaken by qualified and competent persons, in accordance with the instructions supplied with the kit.

Washer and Dryer stack


A Miele tumble dryer can be stacked with the washing machine. A stacking kit* is necessary and can be purchased from the Miele Spare Parts Department.

Please note



a Safety distance to wall:
at least 2 cm

b Height:
Stacking kit with pull-out shelf:
approx. 169 cm
Stacking kit without pull-out shelf:
approx. 170 cm

 A washer and dryer should never be stacked without using the proper stacking kit. Doing so is extremely dangerous, as the dryer may vibrate off of the washing machine during use.

Installation and connection

The Miele Waterproof system

The Miele Waterproof system protects all parts of the washing machine from water damage.

The system consists of three main components:

- 1) the inlet hoses
- 2) the electronic unit and the washing machine housing
- 3) the drain hose

1) Inlet hoses

- The inlet hoses are fitted with additional electrical safety valves which work like automatic taps and are housed in the inlet hose connection boxes.
- They are pressure proof to between 7000 and 10000 kPa.
- The inlet hoses have a protective sleeve.

Any leaking water from the inlet hose is fed into the sump through the protective covering which surrounds the inlet hose as a "second skin". The float switches off the safety valves, preventing water flowing into the machine and water in the suds container is pumped away.

2) Electronic unit and washing machine housing

- Sump

Any leaking water is collected in a sump in the base of the appliance. A float switches off the water inlet valves, preventing water flowing into the machine and water in the suds container is pumped away.

- Overflow protection

This prevents the washing machine taking in too much water. If the water level exceeds a certain level, the drain pump switches on and pumps the water away.

3) Drain hose

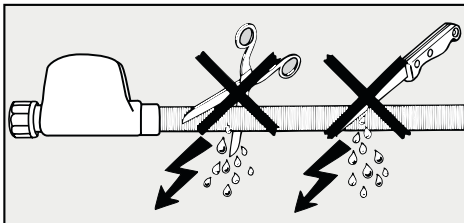
The drain hose is protected by a ventilation system which prevents the washing machine from being emptied completely.

Connection to the water supply

⚠ The plastic casing of the safety valve contains electrical components. The Waterproof system must only be connected to its own tap. It must not be connected to mixer taps or similar and must not be fitted in areas where there is the risk of water or other liquids reaching it. A flexible metal extension hose, available from your Miele Chartered Agent or the Miele Spare Parts Department as an optional extra, should be used if necessary.



Do not dip into any liquid.



The protective sleeve of the hose must not be damaged or kinked.

The machine should be connected to a mains water supply in accordance with local and national safety regulations. Connection to a household water softener is not recommended.

The machine is designed to operate with a flow pressure of between 100 and 1000 kPa. If it is higher than 1000 kPa it is essential to fit a reducer valve.

Connection to the mains water supply should incorporate a mains tap with $\frac{3}{4}$ " thread. The tap should be fitted by a qualified plumber.

⚠ The connection points are subject to mains water pressure. Turn on the taps slowly and check for leaks. Correct the position of the washer and union if appropriate.

Maintenance and care

Only use a **Miele Waterproof system** hose should you need a replacement.

In order to protect the water inlet valve, the dirt filter in the water inlet valve connection must not be removed.

Extension hose

A 1.5 metre long (metal) extension hose is available from the Miele Spare Parts Department as an optional extra.

This hose is tested to withstand pressures of up to 14000 kPa and can be used as a flexible extension to the water supply.

Installation and connection

Connection to the water supply

The washing machine must always be connected to the mains water supply (inlet hose with blue dots).

Cold water connection (mains water supply)

The inlet hose with blue dots is used for mains water connection.

Hot water connection

The inlet hose with red dots is used for connection to the hot water supply.

Useful hints when connecting to the hot and cold water supply.

- The maximum temperature at the tap must not exceed 60C. The ideal temperature is 55C.
- When connected to the hot (and cold) water supply, after some time the washing machine will switch over to the mains (cold) water supply if no hot water is being supplied.

The conditions for connection are described on preceding pages.

This appliance incorporates backflow protection complying with AS/NZS 3500.1.2.
No further backflow protection required for connection to the water supply.

Connection to the drainage system

The machine drains via a drain pump with a delivery head of 1 metre*. The drain hose must not be kinked as this restricts drainage. The swivel elbow at the end of the hose can be turned in either direction, or can be detached if required, with a sharp twist and pull.

If required, the drain hose can be extended to a length of 5 m. The necessary parts can be purchased from the Miele Spare Parts Department.

* For a delivery head of more than 1 m (up to a max. of 1.8 m) a second duo-drain pump is available with the corresponding kit from the Miele Spare Parts Department.

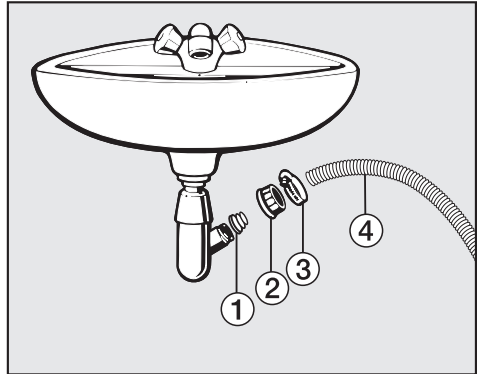
Drain hose connection:

1. Direct into a sink or basin:

Please note the following:

- Hook the hose over the edge and secure.
 - Make sure that the water can drain away freely without hindrance. Otherwise there is a risk of water overflowing or of some of the drained water being sucked back into the machine.
2. Connected securely to a plastic drain pipe with a rubber nipple. There is no need to use a non-return valve.
 3. Connected securely to a standpipe.
 4. Connected securely to a floor gully.

Please note:



① Adapter

② Nut

③ Hose clip

④ End of the hose

- Fit adapter ① to the sink drain outlet using nut ②.
- Attach the end of the hose ④ to adapter ①.
- Use a screwdriver to tighten hose clip ③ up close to the nut.

Installation and connection

Electrical connection

The washing machine is supplied with a mains cable with moulded plug for connection to a 230V mains supply.

The voltage, rated load and plug rating are given on the data plate. Please ensure these match the household mains supply.

The accessibility of the plug must be always ensured, in order to separate the washing machine from the mains.

All electrical work should be carried out only by a suitably qualified and competent person, in strict accordance with national and local safety regulations.

For extra safety it is advisable to install a residual current device (RCD), with a trip current of 30 mA.

Ensure power is not supplied to the appliance until after installation work has been carried out.

Connection should be made via a suitable switching socket which is easily accessible after installation, in order to separate the washing machine from the mains.

Do not connect via an extension lead. Extension leads do not guarantee the required safety of the appliance (e.g. danger of overheating).

**WARNING: THIS APPLIANCE
MUST BE EARTHED**

Consumption data

Consumption data for AS/NZ 2040.2:2005 Standard

	Max. load	Consumption data			
		Energy in kWh	Water in litres	Duration Normal soil Cold water connect	
Cottons	40°C	6.5 kg	0.62	54	1 h 51 min



Notes for test institutes:

- Detergent **must** be dispensed via the detergent dispenser drawer.

Consumption data can vary from the nominal values given depending on water pressure, water hardness, water inlet temperature, room temperature, type and volume of load, fluctuations in the electricity supply and any additional options selected.

Consumption data

Consumption with hot water connection (55°C)

		Max. load	Consumption data			
			Energy in kWh	Water in litres	Degree of soiling	
					Light	Normal
Automatic	40°C	3.5 kg	0.35 - 0.50	40 - 55	1 h 03 min	1 h 18 min
Cottons	95°C	6.5 kg	1.45	47	1 h 28 min	1 h 53 min
	60°C	6.5 kg	0.55	47	40 min	1 h 33 min
	60°C	3.0 kg	0.73	39	40 min	
	40°C	6.5 kg	0.30	54	40 min	1 h 51 min.
	40°C ¹⁾	3.0 kg	0.36	39	40 min.	
Minimum iron/ Delicates	40°C	3.0 kg	0.25	49	59 min	1 h 19 min
Woolens 	30°C	2.0 kg	0.23	39	–	39 min
Silks 	30°C	1.0 kg	0.25	39	–	36 min
Express	40°C	3.0 kg	0.30	34	30 min	–
Dark garments	40°C	3.0 kg	0.15	60	1 h 00 min	1 h 10 min
Shirts	60°C	2.0 kg	0.15	59	1 h 03 min	1 h 13 min
Denim	40°C	3.0 kg	0.15	52	50 min	1 h 00 min

Notes for test institutes:

¹⁾ Short programme for test institutes; the Degree of Soiling must be set to *Light*.

Technical data

Height	850 mm
Width	595 mm
Depth	580 mm
Depth with door open	975 mm
Height for building under	820 mm
Width for building under	600 mm
Depth for building under	600 mm
Weight	94 kg
Maximum floor load	1600 Newton (ca. 160 kg)
Capacity	6.5 kg dry laundry
Voltage	see data plate
Rated load	see data plate
Fuse rating	see data plate
Consumption data	see "Consumption data"
Water flow pressure minimum	100 kPa (1 bar)
Water flow pressure maximum	1000 kPa (10 bar)
Inlet hose length	1.60 m
Drain hose length	1.50 m
Connection cable length	1.60 m
Drain pump head max.	1.00 m
Drain pump length max.	5.00 m
Test certificates awarded	Electrical safety, Typetest Mark, C-Tick Mark

Programmable functions for changing default settings

The programmable functions can be used to tailor washing programmes to suit your individual requirements.

Water plus system

This is used to select the water intake setting for the *Water plus* button.

There are three different options:

Setting 1 (the machine is delivered with this option selected)

The water intake is increased in the wash and rinse stages.

Setting 2:

An extra rinse is carried out.

Setting 3:

The water intake is increased in the wash and rinse stages and an extra rinse is carried out.

Follow steps ① to ⑥ to programme and store in memory.

Before you begin, first ensure that:

- The washing machine is switched off.
- The drum door is properly closed.

① Press the *Start/Stop* button and keep it pressed in whilst carrying out steps ②-③.

② Press the *I-On/O-Off* button in.

③ Wait until the indicator light for the *Start/Stop* button comes on . . .

④ . . . and then release the *Start/Stop* button.

– The *Buzzer* indicator light will flash on and off once.

– A *P* will flash in the display alternating with the number 1, 2 or 3.

⑤ Each subsequent press of the *Start/Stop* button will select a different setting.

The number alternating with the *P* in the display refers to the settings as follows:

1 = Setting 1 is selected

2 = Setting 2 is selected

3 = Setting 3 is selected

⑥ Switch the washing machine off with *I-On/O-Off* button.

The *Water plus* button has now been allocated the setting you have chosen. This setting will remain in memory until another setting is programmed.

Programmable functions

Gentle action

Activating gentle action reduces the drum action and is suitable for washing slightly soiled articles more gently.

Gentle action can be activated for the *Cottons* programme.

If Gentle action is programmed into the machine, every wash cycle in this programme will be carried out with gentle action rhythm.

The washing machine is delivered with the Gentle action setting deactivated.

Follow steps ① to ⑦ to programme and store in memory.

Before you begin, first ensure that:

- The washing machine is switched off.
- The drum door is properly closed.

- ① Press the *Start/Stop* button and keep it pressed in whilst carrying out steps ②-③.
 - ② Press the *I-On/O-Off* button in.
 - ③ Wait until the indicator light for the *Start/Stop* button comes on . . .
 - ④ . . . and then release the *Start/Stop* button.
 - ⑤ Press the *Buzzer* button once.
 - The *Buzzer* indicator light will flash twice.
 - A *P* will flash in the display alternating with the number *0* or *1*.
- 0* = Gentle action is **deactivated**.
1 = Gentle action is **activated**.
- ⑥ Press the *Start/Stop* button to change the display from *0* to *1* or from *1* to *0*.
 - ⑦ Switch the machine off with the *I-On/O-Off* button.

The setting you have selected is now stored in memory and will remain so until you alter it.

Suds cooling in the Cottons programme

When this is activated, additional water flows into the drum at the end of the main wash to cool the suds down. Hot suds can damage plastic drainage pipes.

Suds cooling takes place when temperatures of 95°C and 75°C are selected.

Suds cooling should be activated:

- to prevent the danger of scalding if the drain hose is hooked over the edge of a sink or basin.
- where the drainage pipes do not comply with DIN 1986.

The washing machine is delivered with Suds cooling for the *Cottons* programme deactivated.

Follow steps ① to ⑦ to programme and store in memory.

Before you begin, first ensure that:

- The washing machine is switched off.
- The drum door is properly closed.

① Press the *Start/Stop* button and keep it pressed in whilst carrying out steps ②-③.

② Press the *I-On/O-Off* button in.

③ Wait until the indicator light for the *Start/Stop* button comes on . . .

④ . . . and then release the *Start/Stop* button.

⑤ Press the *Buzzer* button twice.

– The *Buzzer* indicator light will flash three times.

A *P* will flash in the display alternating with the number 0 or 1.

0 = Suds cooling is **deactivated**.

1 = Suds cooling is **activated**.

⑥ Press the *Start/Stop* button to change the display from 0 to 1 or from 1 to 0.

⑦ Switch the machine off with the *I-On/O-Off* button.

The setting you have selected is now stored in memory and will remain so until you alter it.

Programmable functions

Increase the duration of the main wash

This setting is used to select the length of time (15, 30 or 60 minutes) by which the main wash is increased when the *Heavy Degree* of soiling option is selected.

The washing machine is delivered with the increase for the duration of the main wash set at 15 minutes.

Follow steps ① to ⑦ to programme and store in memory.

Before you begin, first ensure that:

- The washing machine is switched off.
- The drum door is properly closed.

- ① Press the *Start/Stop* button and keep it pressed in whilst carrying out steps ②-③.
- ② Press the *I-On/O-Off* button in.
- ③ Wait until the indicator light for the *Start/Stop* button starts comes on . . .
- ④ . . . and then release the *Start/Stop* button.
- ⑤ Press the *Buzzer* button three times.
 - The *Buzzer* indicator light will flash four times.
 - A *P* will flash in the display alternating with the number *1*, *2* or *3*.
- ⑥ Each subsequent press of the *Start/Stop* button will select a different setting.

The number alternating with the *P* in the display refers to the settings as follows:

1 = 60 minutes

2 = 30 minutes

3 = 15 minutes (factory default setting)

- ⑦ Switch the machine off with the *I-On/O-Off* button.

The setting you have chosen for the increase in the duration of the main wash has now been allocated to the *Heavy Degree* of soiling option. This setting will remain in memory until another setting is programmed.

Buzzer

When the buzzer function has been activated, an audible tone sounds at the end of a programme or when Rinse hold is reached.

There are three different options:

Setting 1 = off

The *Buzzer* button is deactivated.

Setting 2 = normal

The buzzer sounds at the end of a programme or when Rinse hold is reached (default setting)

Setting 3 = loud

The buzzer sounds louder at the end of a programme or when Rinse hold is reached

Follow steps ① to ⑦ to programme and store in memory.

Before you begin, first ensure that:

- The washing machine is switched off.
- The drum door is properly closed.

① Press the *Start/Stop* button and keep it pressed in whilst carrying out steps ② - ③.

② Press the *I-On/O-Off* button in.

③ Wait until the indicator light for the *Start/Stop* button comes on . . .

④ . . . and then release the *Start/Stop* button.

⑤ Press the *Buzzer* button four times.

– The *Buzzer* indicator light will flash five times.

– A *P* will flash in the display alternating with the number *1*, *2* or *3*.

⑥ Each subsequent press of the *Start/Stop* button will select a different setting.

The number alternating with the *P* in the display refers to the settings as follows:

1 = off

2 = normal (default setting)

3 = loud

⑦ Switch the machine off with the *I-On/O-Off* button.

The setting you have selected is now stored in memory and will remain so until you alter it.

Programmable functions

Keypad tones

An audible tone sounds each time a button is pressed.

The washing machine is delivered with the keypad tone switched off.

Follow steps ① to ⑦ to programme and store in memory.

Before you begin, first ensure that:

- The washing machine is switched off.
- The drum door is properly closed.

① Press the *Start/Stop* button and keep it pressed in whilst carrying out steps ② - ③.

② Press the *I-On/O-Off* button in.

③ Wait until the indicator light for the *Start/Stop* button comes on . . .

④ . . . and then release the *Start/Stop* button.

⑤ Press the *Buzzer* button five times.

– The *Buzzer* indicator light will flash six times.

A *P* will flash in the display alternating with the number *0* or *1*.

0 = keypad tone is **deactivated**.

1 = keypad tone is **activated**.

⑥ Pressing the *Start/Stop* button will change the display message from *0* to *1* (activated) or from *1* to *0* (deactivated).

⑦ Switch the machine off with the *I-On/O-Off* button.

The setting you have selected is now stored in memory and will remain so until you alter it.

Memory function

If an Extra(s) is selected for a programme, and / or the spin speed is altered, the machine stores these changes in memory at the start of a programme.

When that particular programme is chosen again, the display will show the Extra(s) and / or spin speed which have been stored for that programme in the memory.

The washing machine is delivered with the memory function deactivated.

Follow steps ① to ⑦ to programme and store in memory.

Before you begin, first ensure that:

- The washing machine is switched off.
- The drum door is properly closed.

① Press the *Start/Stop* button and keep it pressed in whilst carrying out steps ② - ③.

② Press the *I-On/O-Off* button in.

③ Wait until the indicator light for the *Start/Stop* button comes on . . .

④ . . . and then release the *Start/Stop* button.

⑤ Press the *Buzzer* button six times.

– The *Buzzer* indicator light will flash seven times.

A *P* will flash in the display alternating with the number *0* or *1*.

0 = the memory function is **deactivated**.

1 = the memory function is **activated**.

⑥ Pressing the *Start/Stop* button will change the display message from *0* to *1* (activated) or from *1* to *0* (deactivated).

⑦ Switch the machine off with the *I-On/O-Off* button.

The setting you have selected is now stored in memory and will remain so until you alter it.

Programmable functions

Pre-wash with the Heavy Degree of soiling option

This setting is used to activate or deactivate an automatic pre-wash whenever the *Heavy Degree of soiling* option is selected.

The machine is delivered with the automatic pre-wash activated.

Follow steps ① to ⑦ to programme and store in memory.

Before you begin, first ensure that:

- The washing machine is switched off.
- The drum door is properly closed.

① Press the *Start/Stop* button and keep it pressed in whilst carrying out steps ②-③.

② Press the *I-On/O-Off* button in.

③ Wait until the indicator light for the *Start/Stop* button comes on . . .

④ . . . and then release the *Start/Stop* button.

⑤ Press the *Buzzer* button seven times.

– The *Buzzer* indicator light will flash eight times.

A *P* will flash in the display alternating with the number 0 or 1.

0 = the automatic pre-wash is **deactivated**.

1 = the automatic pre-wash is **activated**.

⑥ Press the *Start/Stop* button to change the display from 0 to 1 or from 1 to 0.

⑦ Switch the machine off with the *I-On/O-Off* button.

The setting you have selected is now stored in memory and will remain so until you alter it.



Miele Australia Pty. Ltd.

A.C.N. 005 635 398

Melbourne:

1 Gilbert Park Drive

Knoxfield, VIC 3180

Telephone: (03) 9764 7130

Fax: (03) 9764 7149

Sydney:

3 Skyline Place

French Forest, NSW 2086

Telephone: (02) 8977 4230

Fax: (02) 8977 4249

Brisbane:

39 Harvey Street

Eagle Farm, QLD 4009

Telephone: 1800 798 578

Fax: 1800 799 578

Adelaide:

79-81 Sir Donald Bradman Drive

Hilton, SA 5033

Telephone: 1800 018 770

Fax: 1800 799 578

Perth:

205-207 Stirling Highway

Claremont, WA 6010

Telephone: 1800 094 872

Fax: 1800 799578

www.miele.com.au

Miele New Zealand Limited

Unit L, 10-20 Sylvia Park Road

Mt. Wellington, 1060, Auckland

New Zealand

Telephone: 0800 264 353

Fax: 0800 463453

www.miele.co.nz

Germany

Miele & Cie. KG

Carl-Miele-Straße 29

33332 Gütersloh