

Product Support Guide Model D127/D128

Introduction

Model Type	B/W MFP Segment 2
Launch Date	6/7/12
Serial Number Prefix	W90/W91
Product Code	D127/D128

Brand/Model Name

Product Code	Lanier	Ricoh	Savin
D127	MP 301SP	Aficio MP 301SP	MP 301SP
D128	MP 301SPF	Aficio MP 301SPF	MP 301SPF

Product Concept

Predecessor models D115 / D116.

Major technical changes

Hardware

- Increased copy speed from 20cpm to 30cpm.
Advanced usability with 4.3 inch color touch panel.
The color of the machine's outer frame has been changed (New Product Design Identity color was adopted).

Connectivity / Software

- GW+ specifications.



Product Support Guide

Model D127/D128

Main Frame

Item	Model Name	EDP Code	Notes
D127	Lanier MP 301SP Ricoh Aficio MP 301SP Savin MP 301SP	416183	30ppm mainframe with copy/pint/scan functionality with ARDF
D128	Lanier MP 301SPF Ricoh Aficio MP 301SPF Savin MP 301SPF	416185	30ppm mainframe with copy/pint/scan/fax functionality with ARDF

NOTE: Order Numbers are provided for reference purposes only. Please use your Pricing Guide for proper order numbers to insure you receive the correct branding emblem.

Order Number

Options

Item	Description	EDP Code	Product Code	Common / Unique	Notes
Paper Bank	Paper Feed Unit PB1040	416203	D661-17	U	
Taller Cabinet	FAC57 Cabinet	416411	5K6128	U	(This cabinet is recommended when no optional tray is added)
Shorter Cabinet	FAC58 Cabinet	416442	5K6129	U	(This cabinet is recommended to be used when installing one or two optional paper trays)
Hard Disk Drive Option	Hard Disk Drive Option Type 301	416195	D659-00	U	DOSS and Encryption are hard coded into the D127/D128, and will automatically become available upon installation of Harddrive.
Fax Option	Fax Option Type 301	416188	G655-00	U	Option for the D127 / Standard on D128
Copy Data Security Unit	Copy Data Security Unit Type F	413985	B829-07	C(D120)	
DOSS Card	DataOverwriteSecurity Systems (DOSS) Type I	416372			Certified DOSS

Product Support Guide Model D127/D128

Item	Description	EDP Code	Product Code	Common / Unique	Notes
File Format Converter	File Format Converter Type E	414007	D377-04	C(D120)	
VM Card	VM Card Type U	416163	D659-02	U	
Fax Connection Unit	Fax Connection Unit Type I	416197	D660-00	U	Adds Remote Fax Capability
Handset	Handset Type 3352	415820	D593-71	C(D120)	
Key Counter Interface Unit 20 pin	Optional Counter Interface Unit A	413012	B870-11	C(D115)	
Wireless LAN Interface	IEEE802.11 A/G Interface Unit type J	414008	D377-01	C(D120)	
Gigabit Ethernet	Gigabit Ethernet Board Type A	402547	G874-01	C(D115)	
IEEE 1284	IEEE 1284 Interface Board Type A	411699	B679-17	C(D115)	
Bluetooth (USB)	Bluetooth Interface Unit Type D	415818	D566-01	C(D120)	
NetWare Option	SD card for NetWare printing Type I	416196	D659-01	U	
Unicode Font Package	Unicode Font Package for SAP 1 License	413009	B869-01	C(D120)	
Unicode Font Package	Unicode Font Package for SAP 10 License	413010	B869-02	C(D120)	
Unicode Font Package	Unicode Font Package for SAP 100 License	413011	B869-03	C(D120)	
Browser Unit	Browser Unit Type G	416200	D659-05		
Network Power Filter	ESP XG-PCS-15D	006428MIU			
Power Protector	Innovolt PP 120V 15A	005744MIU			
USB Keyboard	ACK3400-U Key Board	100266FNG			

Product Support Guide

Model D127/D128

Supplies/Yields

Item	Name	Order Code	Target Yield
Lanier			
Toner	Toner MP301	841714	8K per cartridge
Ricoh			
Toner	Toner MP301	841714	8K per cartridge
Savin			
Toner	Toner MP301	841714	8K per cartridge

Supply Yield Condition:

- 1) ISO/IEC 19752 & 3 page per job at 6% coverage is used to measure the above cartridge yields.
- 2) The condition is standard temperature and humidity.
- 3) This yield number may change depending on the circumstances and printing conditions.
- 4) Storage period for toner is 18 months.

Option Compatibility

D127

	1	2	3	4	5	6	7	8	9	10	11	12	13	14	15	16
1. Wireless LAN I/F		X	X	X		X										
2. IEEE 1284 I/F	X		X			X										
3. Gigabit Ethernet	X	X				X										
4. Bluetooth (USB)	X															
5. VM card option								O								
6. File Format Converter	X	X	X													
7. USB Keyboard																
8. HDD option																
9. Copy Data Security Unit																
10. Paper Bank 500 x 1 max of 2																
11. Optional Counter Interface																
12. Fax Option																
13. Handset																
14. Fax Connection Unit Type C																
15. SD card for NetWare Printing																
16. Unicode Font Package for SAP									O							

Product Support Guide

Model D127/D128

D128

	1	2	3	4	5	6	7	8	9	10	11	12	13	14	15
1. Wireless LAN I/F		X	X	X		X									
2. IEEE 1284 I/F	X		X			X									
3. Gigabit Ethernet	X	X				X									
4. Bluetooth (USB)	X														
5. VM card option								O							
6. File Format Converter	X	X	X												
7. USB Keyboard															
8. HDD option															
9. Copy Data Security Unit															
10. Paper Bank 500 x 1 max of 2															
11. Optional Counter Interface															
12. Handset															
13. Fax Connection Unit Type C															
14. SD card for NetWare Printing															
15. Unicode Font Package for SAP								O							

X: Cannot be installed together
O:Required

The following features will require the optional HDD in order to function.

- Customizable Home Screen
- MFP Browser
- Auto Job Promotion
- Scheduled Print
- Enhanced Batch Scan
- Scheduling of Quota Management
- Remote Fax
- Eco Friendly Indicator (Information Screen)
- Enhanced print functions using the HDD
- Output mode switch timer for received fax
- Data Encryption and Data Overwrite
- IP, Internet and LAN Faxing
- Print-from USB/SD

Branding Information

Branding is required as the machines are shipped as a generic version.

Ricoh version machines: You must attach the model label (provided) to the front cover.

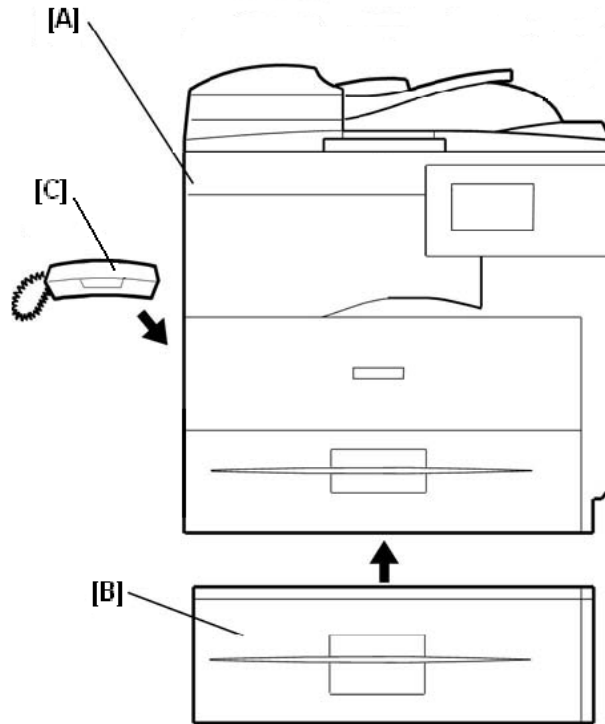
Savin/Lanier: You must attach the model label (provided) to the front cover and set the Plug and Play name with SP 5-907.

Product Support Guide

Model D127/D128

Configuration

Main Frame Configuration D127/D128



External Options

[A] Mainframe , [B] 1x500 tray paper bank (*Maximum 2 optional paper trays can be installed),
[C] Fax Handset.

Internal Options

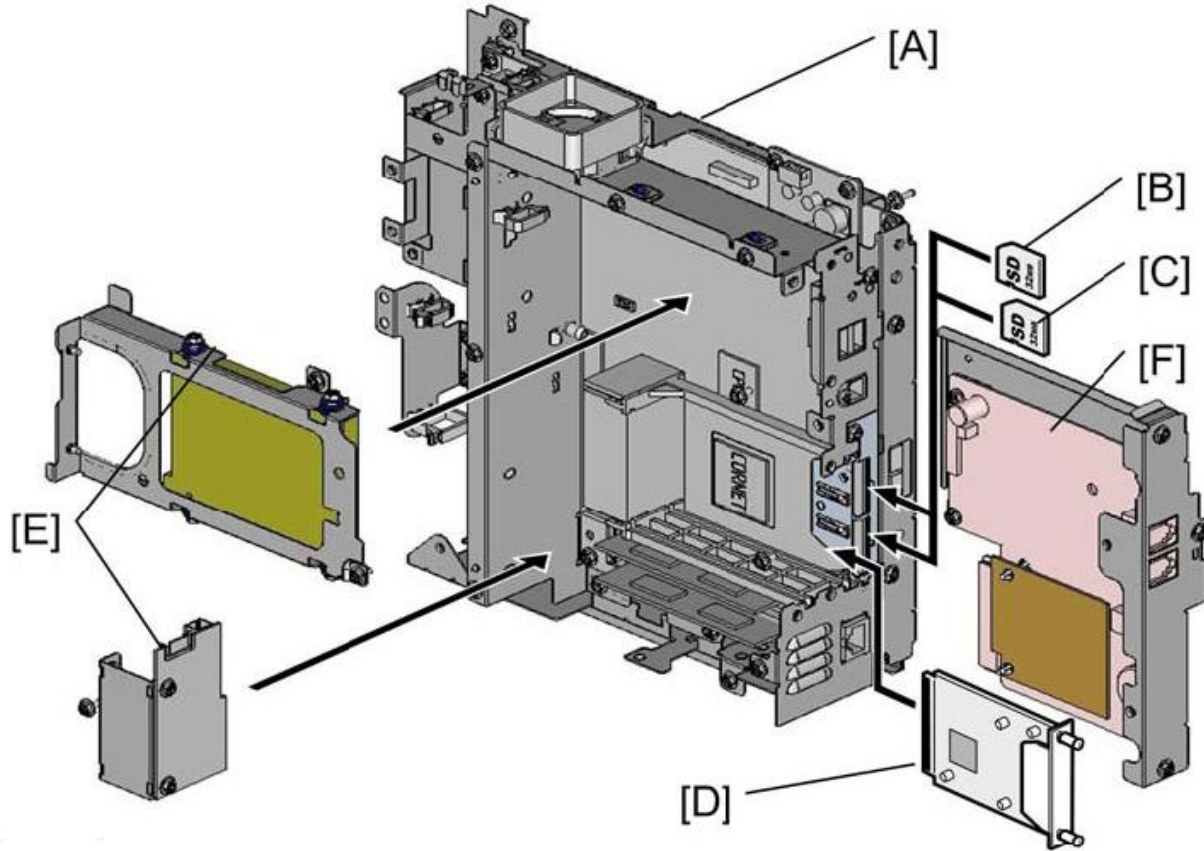
HDD option (includes Data Encryption Unit and Data Overwrite Security Unit).
Wireless LAN option or IEEE 1284 option or Gigabit Ethernet option or File Format Converter.
VM card option (requires HDD), Bluetooth option (cannot coexist with Wireless LAN), Novell option,
Fax Connection Unit Option, Unicode Font package (requires HDD), Key Counter Interface Unit 20 pin,
Copy Data Security Unit, Fax Option for D127 (standard on D128).

Product Support Guide

Model D127/D128

MFP Options

System Components / SD Card Assignments



Description	Product Code	Item	Remarks
Controller Box	-	[A]	Standard
Printer/Scanner unit	D468	[B]	SD card for the Printer/Scanner Unit
FCU	D655	[F]	Option on D127 / Standard on D128
FAX Connection Unit	D660	[B]	
Browser Unit	D656	[B]	
VM Card	D656	[C]	In SD slot 2 (lower)
Net Ware [C] SD Card for Net Ware printing Type 1	D659	[C]	SD Card for Net Ware printing Type 1
IEEE 1284	B679	[D]	One from the three
Gigabit Ethernet Board	G874	[D]	One from the three
File Format Converter Type E	D377	[D]	One from the three
Optional HDD with Interfaceboard	D659	[E]	Merge the Security Card into the Printer/Scanner SD card.

Product Support Guide Model D127/D128

Feature Comparison To Previous Version	D116 series	D127/D128
Copy speed	21cpm	31cpm
Print Speed(A4/LT LEF)	21ppm	31cpm
Memory Capacity	640MB	1024MB
HDD	Option 80Gb comes with DOS and encryption	Option 128Gb comes with DOS and encryption
Supported Printer language	Standard	Standard
	PCL5e, PCL 6	PCL5e, PCL 6, XPS
	Standard: Adobe PostScript3	Standard: Adobe PostScript3
Optional I/F	EEE1284	IEEE1284
	Wireless LAN (IEEE802.11a/b/g)	Wireless LAN (IEEE802.11a/b/g)
	Gigabit Ethernet	Gigabit Ethernet
Scan to USB/SD	Yes	Yes
Print from USB/SD	No	Yes
Fax capability	Yes	Yes

Product Support Guide

Model D127/D128

Installation

Installation Requirements

- Temperature Range: 10° C to 32° C (50° F to 89.6° F)
Humidity Range: 15% to 80% RH
Ambient Illumination: Less than 1,500 lux (do not expose to direct sunlight)
Ventilation: 3 times/hr/person
Ambient Dust: Less than 0.1 mg/m³
Avoid areas exposed to sudden temperature changes:
Areas directly exposed to to direct sunlight or to direct air (from a fan, air conditioner, air cleaner etc.)

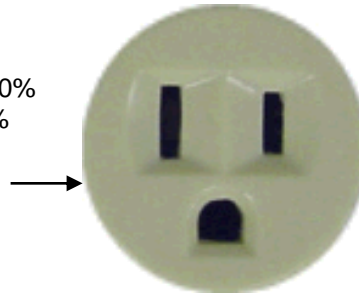
Do not place machine where it will be exposed to corrosive gas or vapor.
Place the machine on a firm and level base.

Do not place the machine where it may be subject to strong vibrations.

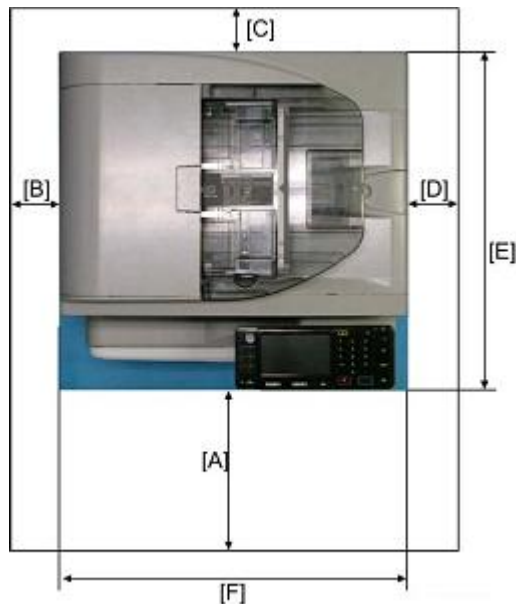
- Machine level
- Front to back: within 5mm (0.2") of level
 - Right to left: within 5mm (0.2") of level

Power Requirements

- Input voltage level: 120 V, 60Hz, 15A
Image quality not guaranteed at a rate voltage higher than +/- 10%
Operation not guaranteed at a rate voltage higher than +/- 15%
Do not place anything on power cord.
The required wall outlet is a NEMA 5-15R (receptacle)



Space



A (Front)	750 mm (29.6")
B (Left)	100 mm (3.9")
C (Rear)	100 mm (3.9")
D (Right)	100 mm (3.9")
E Depth	450 mm (17.7")
F Width	476 mm (18.7")

The 750 mm front space is sufficient to allow the paper tray to be pulled out. Additional space is required to allow an operator to stand at the front of the machine.

Foot Print

Dimensions (W x D x H):: 476 x 450 x 451mm (18.74" x 17.72" x 17.76")

Product Support Guide

Model D127/D128

Power Consumption / Noise Emission

Power Consumption

Mode	Model	Power Consumption	BTU
Sleep mode	D127/D128	2.8w	9.6
Ready Mode	D127/D128	81.9w	280
Maximum	D127/D128	1507w	5147

Noise Emission

D128	Main Frame	Full System
Standby	31.3dB(A) or Less	40dB(A) or Less
Operating	65.4dB(A) or Less	70.2dB(A) or Less

NOTE: The above measurements were made in accordance with ISO 779. The measurements were taken from the normal position of the operator.

Installation Times

Unit	Installation Time (Minutes)	Unit	Installation Time (Minutes)
Paper Feed Unit PB1040	10	NetWare option	10
VM Card Type U	5	IEEE802.11a/g Interface unit	5
Browser Unit Type G	5	IEEE1284	5
Copy Data Security Unit Type F	10	File Format Converter	10
Unicode font Package for SAP	10	Gigabit Ethernet Board Type A	5
HDD option Type 301	10	Optional Counter Interface Unit Type A	5
FAX Connection Unit	10	Bluetooth interface Unit Type D	5
Fax Option (for D127)	10		

Storage/Transportation

	Storage	Transportation
Mainframe	-30 ~ 40°C (22 ~ 104°F) 85% RH or less Storage period: Max 12 months	-30 ~ 40°C (22 ~ 104°F) 15-95% RH
Toner (*1)	Less than 35°C (95°F) 15 ~ 80% RH or less Storage period: Max 12 months (Max 24 months/Un opened status)	Less than 35°C (95°F) 15 ~ 80% RH or less Storage period: Max 12 months (Max 24 months/Un opened status)
PCU	-30 ~ 35°C (22 ~ 95°F) 15 ~ 80% RH or less Storage period: Max 12 months	-30 ~ 35°C (22 ~ 95°F) 15 ~ 80% RH or less Storage period: Max 12 months

NOTE: (*1) Do not store in 35-40°C (95 ~104°F) environment more than 1 month

Product Support Guide

Model D127/D128

Parts / Special Tools / Maintenance

PM Parts / Yields

Mainframe

Unique/Common
U: Unique for this model
C: Common with listed model

*1 part of the PM Kit #: **PMD12790K**

Part Number	Description	Q'ty/ Unit	PM Interval	Unique or Common
Paper Feed				
AF031061	Paper Feed Roller *1	1	90k	C (D115)
D0672710	Friction Pad *1	1	90k	C (D115)
Transfer Roller Unit				
D1273802	Transfer Roller	1	90k	C(D115)
Fusing Unit				
AE011131	Hot Roller	1	90k	C(D115)
Others				
D1176256	Electrode plate	1	90k	C (GR-C1)

PCU (Photoconductor Unit)

Unique/Common
U: Unique for this model
C: Common with listed model

Part Number	Expected Life	Unique or Common
D1272110	45k	C

1. The PCDU for D128 is NOT interchangeable with the one used on D116/D117.
2. PCDU for D128 is only available as a service part.
3. D128 does not have new PCDU detection function. Needs to be initialized manually by Customer Engineer after replacement.
4. Developer is included in the PCDU.
5. The expected life mentioned above assumes a printout condition of 2 outputs/job (Copier, Fax, or Printer).
6. The PCDU should be replaced by the CE (Customer Engineer).
7. When replacing the PCDU, the CE should clean any scattered toner present in the following areas:
 - The inside of the front door
 - The surface of the toner bottle holder
 - The entrance of the PCDU

Product Support Guide

Model D127/D128

Options

Paper Tray Unit D661

Part Number	Description	Q'ty /Unit	PM Interval	Unique or Common
AF031063	Paper Feed Roller	1	120k	C (PS480)
B4212608	Friction Pad	1	120k	C (PS480)

Yield parts information

Part Number	Description	Q'ty/Kit	Expected Yield	Unique or Common
Main frame:				
AE020207	Pressure Roller	1	120k	U
AE044072	Stripper Pawls	3	120k	U
AE030088	Radial Ball Bearing	2	120k	U
AE031035	Pressure Roller Bushing	2	120k	C with D115
ARDF:				
D6063112	Friction Pad	1	30k scans	U
D6062113	Pick-up Roller	1	45k scans	U
D6062111	Feed Roller	1	45k scans	U
Paper feed unit:				
AF031063	Paper Feed Roller	1	120k	C with D115
B4212608	Friction Pad	1	120k	C with D115

Due to their durability and extended service life, the above parts are treated as EM parts.

Special Tools & Lubricants

Unique or Common:
U: Unique for this model
C: Common with listed model

Item	Part Number	Description	Q'ty	Unique or Common
1	A1849501	Optics Adjustment Tool (2pcs/set)	1	C
2	A2929500	Test Chart - S5S (10pcs/set)	1	C
3	VSSM9000	Digital Multimeter - FLUKE 87	1	C
4	N8036701	Flash Memory Card - 4MB	1	C
5	N8031000	Case for Flash Memory Card	1	C
6	A2579300	Grease Barrierta – S552R	1	C
7	52039502	Silicon Grease 501	1	C
8	B6455010	SD Card Kit	1	C
9	G0219350	Loop Back Connector (Note)	1	C
10	B6795100	Plug-IEEE1284 Type C	1	C
11	---	Ricoh System Information Tool (Support Tool Version 2) - Basic version - Mail version - Rlogtool (for use with GW controller)	1	C

NOTE: Loop-back Connector (item 9) requires Plug IEEE1284 Type C (item 10) and the optional IEEE 1284.

Product Support Guide

Model D127/D128

Target Reliability

Model	D127/D128
Average Monthly Volume	2K/month
Max. Monthly Volume	5K/month
PM Interval	45k for PCU/ all others 90k

Specifications / Documentation

Mainframe D127/D128			Remarks
Technology			
Configuration	Desktop		
Scanning Element	Flatbed with CCD array image-sensing element		
Printing process	Laser beam scanning/marketing & electro-photographic printing.		
Development	Dry, dual component toner development		
Fusing	Heat roll		
Weight	29kg (63.9lb.) or less (with ARDF)		
Input Capacity	Standard	250 sheets tray x 1 100 sheets multi bypass tray*	
	Options	Paper Bank: 500 sheets x 1 or 2 (max of two)	Max total capacity 1,350sheets
Output Capacity	250 sheets (internal tray)		
Paper size / weight			
Size	Bypass Tray	A6 (SEF) - A4 (SEF) , LG, 5 1/2"x 8 1/2"(SEF) - 8 1/2"x 14 (SEF) <Custom Size Paper> width: 3.5-8.5inch, length: 5.7-23.6 width: 90-216mm, length: 139-600mm	
	Cassettes	A5(LEF)- A4(SEF), 5 1/2" x 8 1/2"(LEF)- 8 1/2"x 14(SEF)	
Envelope Printing		Yes (Bypass)	
Paper Feeding Capacity	Std	250 sheets tray x 100 sheets multi bypass tray	
	Max	1350 sheets (yes + bypass + 500sheet tray x 2)	
Paper Output Capacity(LT/A4)	Std	250 sheets (internal tray)	
	Max	-	
Weight	1st Tray	60 to 90 g/m2, 16-24lb	
	2nd Tray	60 to 90 g/m2, 16-24lb	
	Bypass Tray	60 to 157 g/m2 , 16-42lb	
	Duplex Unit	64 to 90 g/m2, 20-24lb	

Product Support Guide

Model D127/D128

Copier General Features D127/D128		Remarks
Original Size	Max LG (from ARDF)	
1st Copy Speed	Nominal: 5.4 sec	When polygon mirror motor is spinning. A4/ 8 1/2" x 11" (SEF) from the standard tray, no R/E.
CPM Black	30cpm (A4) , 31cpm (LT)	A4 / 8 1/2" x 11" (SEF), no R/E from the standard tray.
Multiple Copying	Up to 99 copies	
Resolution	(Reading) Platen : 600*600dpi DF : 600*300dpi (Writing) 600*600dpi	
Gray Scale (per dot)	Scanning: 256 levels, Marking: Binary	
Warm up time	Nominal: 23 sec (from power off)	
Enlargement	129, 155%	2 Preset Enlargements
Reduction	65, 78, 93%	3 Preset Reductions
Zoom	From 25% to 400% in 1% step	
Image Density Adjustment	Manual or Automatic	
Interrupt Copy	Not available	
User Code	Yes (1000 codes, eight digits)	
Display Language	English, Spanish	
Number of Copy Reservations	No	
ID Copy	No	

Product Support Guide

Model D127/D128

Copier Enhanced Features D127/D128		Remarks
Image Density	Manual or automatic	
Color Mode	-	
Copy Mode	Default = Text/Picture	
Copy Mode -Photo Type Selection	Yes	
Paper Selection	Manual	
Paper Type Display	Std Tray	Plain Paper, Recycled Paper, Color Paper, Letterhead, Preprinted Paper, Bond Paper, Card Stock, Prepunched Paper, Special Paper
	Bank, LCT	Plain Paper, Recycled Paper, Color Paper, Letterhead, Preprinted Paper, Bond Paper, Card Stock, Prepunched Paper, Special Paper
	Bypass Tray	Plain Paper, Thick Paper, Middle Thick Paper, OHP (Transparency), Recycled Paper, Color Paper, Letterhead, Preprinted Paper, Bond Paper, Card Stock, Pre-punched Paper, Special Paper
Auto Tray Switch	Yes	
Duplex	Yes	
Book	Booklet	No
	Magazine	No
Series	Book to simplex	No
	2 sided original to simplex	Yes
Combine	2 into 1 simplex	Yes
	4 into 1 simplex	Yes
	8 into 1 simplex	No
	1 duplex into 1 simplex	Yes
	2 duplex into 1 simplex	Yes
	4 duplex into 1 simplex	No
	4 into 1 duplex	Yes
	8 into 1 duplex	Yes
	16 into 1 duplex	No
	2 duplex into 1 duplex	Yes
4 duplex into 1 duplex	Yes	
Shift/Erase/Margin Adjustment	Centering	No
	Cornering	No
	Margin Adjustment	Yes
	Erase Center	No
	Erase Border	No
	Erase Center/Border	No
Cover Sheet/Chapter/Slip Sheets	Front Cover	No
	Front & Back Cover	No
	Chapter	No
	Slip Sheets	No
	OHP Slip Sheets	No
Image Rotation	Yes	
Electronic Sort	Without Shift Sort	Yes
	Rotate Sort	No
	Shift Sort	No

Product Support Guide

Model D127/D128

Copier Enhanced Features D127/D128		Remarks
Electronic Stack	No	
Stapling	No	
Color Creation	Color Conversion	No
	Color Erase	No
	Color Background	No
Image Creation	Repeat	No
	Double Copy	No
	Mirror	No
Stamp/Numbering	Posiive/Negative	No
	Preset Stamp	No
	User Stamp	No
Color Balance Adjustment	No	
Color Balance Program	No	
Auto Color Calibration(ACC)	No	
Sharp/Soft	Yes (7 levels)	
Contrast	Yes (9 levels)	
Background Density Adjustment	Yes (9 levels)	
Under Color Removal(UCR) Adjustment	No	
Text & Photo Separation Sensitivity Adjustment	No	
Color Erase Sensitivity Adjustment	No	
Job Programs	Yes (25)	
User Code	Yes (1000 codes, eight digits)	
Interrupt Copy	No	
Auto Start	Yes	
Job Preset	No	
Sample Copy	No	
Simplified Display	Yes	
Login/Logout Button	Yes	
Logging Data Print out	No	
NRS Option	Yes	
Java Version	Ver. 10.02.00	
Browser Unit Version	Ver. 1.03	
Document Server	Yes (with HDD option)	
Auto Off Timer	Yes	
Energy Saver Timer	Yes	
Panel Off Timer	No	
System Reset Timer	Yes	

Product Support Guide

Model D127/D128

Printer Features D127/D128		Remarks
CPU	RM7035C 533MHz	
RAM	1024MB	
HDD	Option: 128GB	
Printer Driver	Standard	PCL5e,PCL 6,Adobe Postscript 3
	Option	-
Print Resolution	Max	600 x 600 dpi
	PCL5e	600/300dpi
	PCL6	600dpi
	RPCS	Not Supported
	PS3	600/300dpi
	XPS	600/400/300/200dpi
Host Interfaces	Std	Ethernet (RJ-45 network port : 10Base-T/100Base-TX), USB2.0
	Option	IEEE1284, Wireless LAN (IEEE802.11a/b/g), Giga Ethernet (1000BASE-T), Bluetooth
Network Protocol	TCP/IP (IPv4, IPv6), IPX/SPX(*Opt),	*IPX/SPX is available with netware option
Standard MIB	MIB-II(RFC1213), HostResource(RFC1514), PrinterMib(RFC1759), SNMPv3(RFC2574)	
Private MIB	Ricoh private MIB	
Network/Operating System	Windows XP/Server 2003/Vista/Server 2008/7	

Product Support Guide

Model D127/D128

Scanner D127/D128		
Color Scan	Yes	
Scan Speed	B&W	30 ipm (A4: 300dpi) 31 ipm (LET/SEF:200/300dpi) Condition:Mono 1bit, MH compression with ADF
	Color	30 ipm (A4: 200dpi) 31 ipm (LET/SEF: 200dpi) 20 ipm (A4: 300dpi) 21 ipm (LET/SEF: 300dpi) Condition:FC letter/photo/ JPEG standard compression with ADF
Scanning Resolution	Std	100-600 dpi
	Default	200 dpi
Auto Size Detection	Contact Glass	No
	ARDF	No
Scan Area	Main Scan	216 mm
	Sub Scan	600 mm (DF) / 356 mm (Platen)
sRGB Support	No	
Network Interface	Ethernet 10Base-T/100Base-TX,Ethernet 1000Base-T(option), Wireless LAN (IEEE802.11a/b/g) (option)	
Protocol	Network: TCP/IP Sending E-mail: SMTP, POP3 Scan to Folder: SMB, FTP, WSD Scanner, NCP Web Services on Devices for Scanning(*opt) *NCP is available with netware option	
Compression Method	B&W	MH(default),MR,MMR,JBIG2
	Color	JPEG
Scan Mode (Mono Scan)	BW Text Mode:Text, Text/Line Art, Text/Photo, Photo, Gray Scale	
Scan Mode (Color Scan)	Full Color: Text/Photo, Glossy Photo Color(24bit), Greyscale(8bit)	
Image Density	Yes : Manual	
Image Rotation	Yes	
SADF/Batch Mode	SADF : No, Batch : Yes	
Mixed Size Mode	Yes*(Letter & Legal)	

Product Support Guide

Model D127/D128

Scan to E-mail D127/D128		
Requirement	SMTP (Mail Server) Gateway and TCP/IP	
Authorization Function	SMTP authentication POP before SMTP authentication	
Resolution	Std	100dpi, 200dpi, 300dpi, 400dpi, 600dpi
	Default	200dpi
Max Email Address in HDD	2000 addresses (with optional HDD), 200(Standard)	
Register Group Address in HDD	Standard: 10 groups (100 numbers per 1 group) With HDD: 100 groups (100 numbers per 1 group)	
Maintain Email Address in HDD	Direct input on operation panel, Web Image Monitor, SmartDeviceMonitor for Admin	
Input of Destination E-mail Address via Soft Key	Possible, Max. 100 destinations per job	
Search Email Address in HDD	By name and E-mail address	
LDAP Search	Yes	
Max Address Numbers Per Send	Max. 100 addresses per send	
Address Numbers Per Send	from HDD	Max. 500
	direct input	Max. 50 (without HDD) Max. 500 (with HDD)
	via LDAP	Max. 100
Attention	To, CC, BCC	
Email Size	with Restriction	128 – 102, 400KB, Default = 2,048KB
	w/o Restriction	No (as far as memory can read)
File type	TIFF (Single page/Multiple page), JPEG (Single page), PDF (Single page/Multiple page), High Compression PDF (Single page/Multiple page), PDF/A (Single Page/Multiple Page)	
Program User Settings	Yes	
Divide and send Email	Yes	
Resend	No (without HDD) Yes (with HDD)	
Input Subject	Manual	Yes (Max 128 Characters via soft key with HDD option)
	User Pre-register	Yes
Input Main Body Text	Manual	Max. 80 Characters * 5 lines via soft key (with HDD option)
	User Pre-register	Yes
	Preset	Yes
Input File Name	Yes (with HDD)	

Product Support Guide

Model D127/D128

Scan to Folder D127/D128		
Protocol Support	SMB (Server Message Block), FTP (File Transfer Protocol), NCP(*opt)	*NCP is available with netware option
Security	Client folder log-in (log-in name and password) Encryption of log-in name and password during transmission	
Resolution	Standard	100dpi, 200dpi, 300dpi, 400dpi, 600dpi
	Default	200dpi
Register client folder address in HDD	Max. 2000 folders (with optional HDD), 150 without HDD	
Maintain client folder address in HDD	Direct input on operation panel, WebImageMonitor, SmartDeviceMonitor for Admin	
Destination client folder address input via soft key	Yes. SMB: Network path > Client folder > Password, FTP: Server > Network path > User account > Password, NCP: Network path > User account > Password > Connection	
Search client folder	SMB: Browsing directly to the designated folders FTP: By client folder name NCP(*opt): Browsing	*NCP is available with netware option
Max. client folder numbers per send	Max. 50 client folders / PCs per send	
Destination Combination	No	
Group address	Max. 132 destinations (To Folder: 50, To E-mail: 50) (*)	*e.g. 500 destinations 50 folders included >>>OK 500 destinations 51 folders included>>>Failure (*1)
Input File name	Yes (Max 128 character via soft key)	
Scan to File size	2,000MB (with HDD) , 140MB (without HDD)	
File Size when combined Scan to Folder & Scan to E-mail Scan to E-mail:	128 – 45,389KB, Default = 2,048KB (With restriction) (Scan to E-mail file size applied).	
File Size when combined Scan to Folder & Scan to E-mail Scan to Folder:	No	
File type	TIFF (Single page/Multiple page), JPEG (Single page), PDF(Single page/Multiple page), High Compression PDF (Single page/Multiple page), PDF/A (Single Page/Multiple Page)	
Program User Setting	Yes	
Dividing File in Scan to Email	No	
Resend	No (without HDD) Yes (with HDD)	

(*1) User can send to Max. 132 destinations in the same group. But the number of folders has to be less than 50, since Max. folder destinations are 50. If there are more than 50 folder destinations registered in the Group address, a message pops up.

Product Support Guide

Model D127/D128

Network TWAIN Driver D127/D128		
Scanning Speed	B&W	30 (300dpi)
	Color	20 (300dpi) , 30 (200dpi)
Resolution	B&W	Book: 100~600dpi by 1bit each ARDF: 100~600dpi by 1bit each
	Color	Book: 100~1200dpi by 1bit each ARDF: 100~600dpi by 1bit each
OS	32bit/64bit: Windows XP, Vista, 7, Server2003/2008 64bit: Windows Server 2008R2 (Operates in 32-bit compatibility mode on 64-bit operating systems)	
Scan Mode	Standard / Photo / OCR / Filing	
Image Adjustment	Brightness / Contrast / Threshold /Gamma Adjustment / Halftone Pattern	
Stamp	No	
Endorse	No	

Product Support Guide

Model D127/D128

Fax D128 (D127 with Fax option)		Remarks
Circuit	PSTN, PBX	
Compatibility	ITU-T (CCITT) G3	
Resolution	200x100dpi, 200x200 dpi 8 x 3.85 l/mm, 8x7.7 l/mm, 8x15.4 l/mm (send only)	
Compression method	MH, MR, MMR, JBIG	
Scanning speed (DF)	2.4second (200x200/200x100, 8x15.4/mm/ A4)	
Scan Page per Minute(DF used)	22 pages/ minute (200x100dpi, 200x200dpi, 8x15.4mm/A4/ 8 1/2" x 11")	
Modem speed	Standard with Automatic Shift Down: 336000, 31200, 28800, 26400, 24000, 21600, 19200, 16800, 14400, 12000, 9600, 7200, 4800, 2400 bps	
Transmission speed	G3: Approx.2 seconds (200x100dpi, JBIG, ITUT#1 chart, A4SEF, TTI off, memory transmission)	
SAF memory	Standard: 4MB No SAF memory option available.	
Page memory	4 MB No page memory option available.	
SAF memory storage	320 sheets (ITU-T No. 1 chart)	
Memory backup	12 hours	
Smoothing	Standard (Binary)	
TTI/RTI	Standard	
CSI	Standard	
Quick Dial	Address book, 200:Standard 2000:With HDD option	
Group Dial	Yes (10 groups, Max. 100 numbers(with HDD) per group)	
Program	Standard	
Redial	Yes (Last 10 destinations)	
Direct Fax Number Entry	Standard	
Dual access	Standard	
User Code	Yes (8 digits, 1000 Personal Codes)	
Page Counter	Standard	
Auto Reduction	No	
Wild Cards	Standard	
Summer Time	Standard	
ID Code Programming	Yes (4 digits, only for Memory Lock)	
Programming by OMR	No	
User Function Key	Yes (3 keys)	
Night Timer	No	
Energy Saver	Standard	
LCD Prompt	Standard	
Remaining Memory Indication	Standard	
Clock Adjustment	Standard	
User Parameter Settings	Standard	
User Data Transfer	No	

Product Support Guide

Model D127/D128

Transmission Features D128 (D127 with Fax option)		Remarks
Immediate Transmission	Yes	
Memory Transmission	Yes	
Serial Broadcasting	Yes (Max. 500 numbers)	
Send Later	Yes	
Error Correction Mode	Yes	
Page Retransmission	Yes	
Forwarding	Yes	
Image Rotation	No	
Book Fax	Yes	
Closed Network Transmission	Yes	
Double Sided Transmission	Yes	
Transmission reserve	Yes (Only MemoryTransmission)	

Reception Features D128 (D127 with Fax option)		Remarks
Automatic Reception	Yes	
Manual Reception	Yes	
Substitute Reception	Yes	
Authorized Reception	Yes	
Multi Copy	Yes	
Closed Network	Yes	
Reception Time Printing	Yes	
Center Mark	Yes	
Checkered Mark	Yes	
Economy Printing Mode	No	
Duplex Reception	Yes	

Product Support Guide

Model D127/D128

Telephone Specification D128 (D127 with Fax Option)	
Handset/Telephone	Option
Telephone Connection	Yes
Monitor Speaker	Yes
Automatic Voice Message	No
On Hook Dial	Yes
Tone Transmission	Yes
Pause	Yes
Pulse/Tone Selection	Yes (Manual)
Chain Dialing	No
Reception Mode Selection	Yes
Automatic Fax/Phone change	Yes (Automatic switch from phone to fax only)
Reception Mode Switch over (remote)	No
Answering Machine interface	No
Reception Mode Switching Timer	No
Auto Answer Delay Time	Yes
Busy Tone Detection	Yes
Silent Ringing Detection	No

Internet Fax (T.37 Full mode) D128 (HDD required) (D127 Fax option and HDD required)	
Requirement of Mainframe	Model D128 is required with Harddrive option
Number of Address	2,000 (with HDD), 200 (without HDD)
Email Address Input	From LCD operation panel, Web Image Monitor, Smart Device Monitor for Admin
Attention	"to" or "bcc" (select only one), max 500 attentions
Destination Combination	Internet Fax + G3 Fax, Internet Fax to PC + G3 Fax
Network	LAN: Local Area Network Ethernet 10Base-T/100Base-TX, Ethernet 1000Base-T(option) , Wireless LAN (IEEE802.11a/b/g) (option)
Transmit Function	E-mail
Scan Line Density	200 x 100 dpi(Standard character), 200 x 200 dpi(Detail character)
Original Size: Scanning width	A4
Communication Protocol	Transmission SMTP, TCP/IP Reception POP3, SMTP, IMAP4, TCP/IP
Email Format	Single/Multi-part, MIME Conversion Attached file forms: TIFF-F(MH, MR, MMR compression)
Authentication Method	SMTP-AUTH, POP before SMTP, A-POP
Internet Communication	Send and receive e-mail with a computer that has an e-mail address.
Email Send Functions	Automatic conversion of sent documents to e-mail format and e-mail transmission. Memory transmission only.
Email Receive Functions	Automatic detection and printing of appended TIFF-F(MH) files and ASCII text. Memory reception only.

Product Support Guide

Model D127/D128

LAN Fax Specifications D127/D128 (D127 Fax option required)	
Paper Size	Letter (default), Legal, A5
Resolution	Detail (200 x 200 dpi) *default Standard (200 x 100 dpi)
Gray Scale	No
Number of Address	500
OS	Windows XP, Windows Server 2003, Windows Vista, Windows Server 2008, Windows Server 2008 R2, Windows 7
LAN-Fax Editor Support Language	1. English, 2. German, 3. French, 4. Italian, 5. Spanish, 6. Dutch, 7. Swedish, 8. Norwegian, 9. Danish, 10. Finnish, 11. Hungarian, 12. Czech, 13. Polish, 14. Portuguese, 15. Russian, 16. Traditional Chinese, 17. Simplified Chinese, 18. Catalan, 19. TurkishCondition, 20. Greek, 21. Brazilian Portuguese

IP-Fax Specifications D128 (HDD required) / D127(Fax option, HDD required)	
Network	LAN: Local Area Network, Ethernet 10Base-T/100Base-TX, Ethernet 1000Base-T(option) , Wireless LAN (IEEE802.11a/b/g) (option)
Scan Line Density	8 x 3.85 lines/mm, 200 x 100 dpi (Standard character), 8 x 7.7 lines/mm, 200 x 200 dpi (Details character), 8 x 15.4 lines/mm (Fine character)
Original Size	Maximum A4 or 8.5" x 14"
Max Scanning Size	Standard: A4, 216mm x 356mm
Transmission Protocol	Recommended: T.38 Annex, TCP, UDP/IP communication, SIP(RFC 3261 compliant), H.323 v2
Compatible Machines	IP-FAX compatible machines
IP-Fax Transmission Function	Yes
IP-Fax Reception Function	Yes

Document Server Specifications D127/D128 (HDD required)	
HDD Capacity	128 GB (Option)
Max Stored Documents	3000
Max Pages Per Documents	1,000
Max Pages of All Stored Documents	9,000

Security Specifications D127/D128	
Network User Authentication	Yes
IP Address Filtering	Yes
MAC Address Filtering	No
HDD Overwrite	Yes *HDD option required
HDD Encryption	Yes *HDD option required
Secure Print	Yes *HDD option required
Encrypted Secure Print	No
Encrypted PDF Mode	Yes
IP Sec	Yes
Secure Sockets Layer(SSL)	Yes
SNMPv3	Yes
IPv6	Yes
Transport Layer Security	Yes
Removable HDD	No
Network User Authentication	Yes

Product Support Guide

Model D127/D128

MFP Supported Environments

Windows Environments					
OS	Type	PCL5e	PCL6	PostScript3	XPS
Windows 2000	Professional	N	N	N	N
	Server	N	N	N	N
	Advanced Server	N	N	N	N
	Datacenter Server	N	N	N	N
Windows XP	Professional	Y	Y*4	Y*4	N
	Home Edition	Y	Y*4	Y*4	N
Windows Server 2003	Standard Edition	Y	Y*2	Y*2	N
	Enterprise Edition	Y	Y*2	Y*2	N
	Datacenter Edition	N	N	N	N
	Web Edition	N	N	N	N
Windows Server 2008	Standard Edition	Y	Y	Y	Y
	Standard Edition without Hyper-V	Y	Y	Y	Y
	Enterprise Edition	Y	Y	Y	Y
	Enterprise Edition without Hyper-V	Y	Y	Y	Y
	Datacenter Edition	N	N	N	N
	Web Edition	N	N	N	N
Windows Server 2008 R2	Standard Edition	Y	Y	Y	Y
	Enterprise Edition	Y	Y	Y	Y
Windows VISTA	Home Basic	Y	Y*3	Y*3	Y*3
	Home Premium	Y	Y*3	Y*3	Y*3
	Business	Y	Y*3	Y*3	Y*3
	Ultimate	Y	Y*3	Y*3	Y*3
	Enterprise	Y	Y*3	Y*3	Y*3
Windows 7	Starter	N	N	N	N
	Home Basic	N	N	N	N
	Home Premium	Y	Y	Y	Y
	Professional	Y	Y	Y	Y
	Enterprise	Y	Y	Y	Y
	Ultimate	Y	Y	Y	Y

*1...Adobe does not release PS driver for Windows2000, 2003 and XP. Only MS-PostScript driver is available and PPD file for MS-PS is included in the Driver

*2...SP2 or later

*3...SP1 or later is recommended

*4...SP3 or Later

Product Support Guide

Model D127/D128

Point & Print

Windows OS		Driver			
Server	Client (Push to)	PCL5e	PCL6	PostScript3	XPS
Windows server 2003	7	Y	Y	Y	N
	Vista	Y	Y	Y	N
	XP	Y	Y	Y	N
	W2K Pro	N	N	N	N
Windows Server 2008	7	Y	Y	Y	Y
	Vista	Y	Y	Y	Y
	XP	Y	Y	Y	N
	W2K Pro	N	N	N	N
Windows XP Pro	7	Y	Y	Y	N
	Vista	Y	Y	Y	N
	XP	Y	Y	Y	N
	W2K Pro	N	N	N	N
Windows 2K Professional Server & Advance Server	7	N	N	N	N
	Vista	N	N	N	N
	XP	N	N	N	N
	W2K Pro	N	N	N	N
Windows Vista	7	Y	Y	Y	Y
	Vista	Y	Y	Y	Y
	XP	Y	Y	Y	N
	W2K Pro	N	N	N	N

*RPCS driver has been discontinued.

Product Support Guide

Model D127/D128

Terminal Service & Citrix MetaFrame			
Server	Driver		
	PCL5e	PCL6	PS
Windows Server 2008R2	Y	Y	Y
Windows Server 2008	Y	Y	Y
Windows Server 2003	Y	Y	Y
Win 2000 Server	N	N	N
Win Server 2003 + MetaFrame	N	N	N
Win 2000 Server + MetaFrame	N	N	N
Win Server 2003 + Citrix PresentationServer4.0	Y	N	N
Win 2000 Server + Citrix PresentationServer4.0	N	N	N
Win Server 2003 + Citrix PresentationServer4.5	Y	Y	Y
Win Server 2003 + XenApp5.0	Y	Y	Y
Win Server 2008 + XenApp5.0	Y	Y	Y
Win Server 2008 R2 + XenApp6.0	Y	Y	Y

[Operating Environments]

*RPCS driver has been discontinued.

*XPS driver is not supported in the environment of terminal service and Citrix MetaFrame.

*Even if "Y" is put in the cell, there is a chance driver is not supported under certain combinations of FR and Service Pack of Meta Frame.

*Following combinations of operating system and Citrix MetaFrame are supported.

Windows 2003 Server

1. Windows Terminal Service (RDP protocol)
2. Citrix PresentationServer4.0
3. Citrix PresentationServer4.5
4. Citrix XenApp5.0

Windows Server 2008

1. Windows Terminal Service (RDP protocol)
2. Citrix XenApp5.0

Windows Server 2008 R2

1. Windows Terminal Service (RDP protocol)
2. Citrix XenApp6.0

Product Support Guide

Model D127/D128

Mac OS

	PostScript3	Printer Utility for MAC
Mac OS 8.6 or later, Mac OS X classic	No	No
Mac OS X Native: v.10.2 or later ^{*1}	Yes	No

*1: Mac OS X v10.0.x and v.10.1.x are not supported.

UNIX Filter

Unix Platforms	Version
Sun Solaris	2.6/7/8/9/10
HP-UX	10.x/11.x/11i v2/11i v3
Red Hat Linux	Enterprise V4, V5, V6
SCO OpenServer	5.0.6/5.0.7/6.0
IBM AIX	V5.3, V6.1, V7.1

Novell Netware (option)

Netware Server	Supported Version	Netware 3.12/3.2/4.1/4.11/5.0/5.1/6.0/6.5
	Client OS	Windows XP professional/Vista/2008/7

SAP/R3 Environment (Device Type / Barcode & OCR Package)

Supported Environments	R/3 Version	3.x or later , mySAP ERP2004 or later
	Platform	Independent
	PDL	PCL5e
	Character Set	Latin 1(Western European), Latin 2 (Eastern European)
	Localization	English only
Supported features	i.e: Input/Output Bin, Duplex, Stapling, Punching, Resolution, Collation,EconoMode / TonerSaving, Smoothing, Page Protect, Auto Tray Change/Opt Tray select	
Supported Barcode & OCR Fonts	Barcode Fonts	Code 128, Code 39, Code 93, Codabar, 2 of 5 interleaved/Industrial/Matrix, MSI, USPS, UPC/EAN
	OCR Fonts	OCR A, OCR B

Product Support Guide

Model D127/D128

Utility Software

Software	Description
Font Manager	This software enables you to use screen fonts.
Smart Device Monitor for Admin	This software enables you to manage and monitor printers and other devices over the network.
DeskTopBinder – SmartDeviceMonitor for Client	This software enables you to access networked printers to print, monitor or to receive notifications. With DeskTopBinder Lite you can connect client computers to I/O devices enabling you to efficiently manage data.
Device Graphics Update Utility	Device Graphic Update Module provides bitmap images used to represent the various statuses of devices graphically within Smart Device Monitor or Web Smart Device Monitor. Available on website.
Printer Utility for Mac	This is a utility for Macintosh that provides access to several network printing administrative features.
PS Descriptions	PPD for Mac By interacting with the Adobe PostScript 3 controller in the device, this PPD is able to produce an accurate representation of the screen image.
Mac OS X PPD Installer	This PPD installer is used to install a PPD (Postscript Printer Description) file on Mac OSX. PPD files contain descriptions of printer capabilities such as paper sizes, number of input trays and duplexing. Once the PPD file is installed on the system using the PPD installer, the PS driver that comes bundled with Mac OS X can use the information in the PPD to control the print device and enable full functionality. It supports the Mac OS X 10.1 or later. Please see the Readme file for information about compatibility with versions of Mac OS X.
LAN FAX Driver M13	This software enables you to fax documents directly from your computer. The Address Book Editor and Cover Sheet Editor are installed as well. This software requires the optional fax unit to be installed on the machine. M13 Driver
PCL 6 Driver	Printer driver for B/W printing in Windows. It supports HP PCL XL commands and is optimized for the Windows GDI. High performance printing can be expected.
PCL 5e Driver	Printer driver for printing in Windows. It supports HP PCL 5e commands.
Post Script Driver	By interacting with the Adobe PostScript 3 controller in the device, this driver is able to produce an accurate representation of the screen image.
Network TWAIN Driver	TWAIN scanner driver for network connections with new features Combine/Series, compatible with SNMP V3 and Network Connection Tool.

Product Support Guide

Model D127/D128

Print Driver Information

Model	PCL 5e	PCL 6	XPS	PostScript3	
				Windows 2000/XP/7	Mac OSX 10.2 or later
Send to Job Binding	N	N	N	N	N
Send to Document Server	Y	N	Y	N	Y
Sample Print	Y	Y	Y	Y	Y
Locked Print	Y	Y	Y	Y	Y
Hold Print	Y	Y	Y	Y	Y
Stored Print	Y	Y	Y	Y	Y
Stored Print (Shared)	Y	Y	N	N	N
Store and Print	Y	Y	Y	Y	Y
Store and Print(Shared)	Y	Y	N	N	N
Reduce/Enlarge (Zoom/Scaling)	Y*1	Y	Y	Y	Y
Reduce/Enlarge Centering	N	Y	N	N	N
Fit to Paper size	Y	N	N	Y	Y
Unauthorized Copy Control	N	N	N	Y	N
Layout (N-up)	Y	Y	Y	Y	Y
Poster	N	N	N	N	N
Duplex	Y	Y	Y	Y	Y
Booklet 1	N	N	N	N	N
Booklet 2 (Magazine)	Y	Y	Y	N	N
Non-Reduction Booklet	N	N	N	N	N
Watermark	Y	Y	N	Y	Y
Overlay	N	N	N	N	N
Header/Footer	N	N	N	N	N
Adjust image position	N	N	N	N	N
Binding Margins	N	N	N	N	N
Collate	Y	Y	Y	Y	Y
Punch	N	N	N	N	N
Staple	N	N	N	N	N
Cover sheet(Front Cover)	N	N	N	N	N
Front and Back Cover	N	N	N	N	N
Slip Sheet	N	N	N	N	N
Chaptering	N	N	N	N	N
Rotate by 180 degrees	Y	Y	Y	Y	Y
Reverse Order Print	N	Y	Y	Y	Y*2
Do not print Blank pages	N	N	N	N	N
Dithering	N	N	N	Y	Y
Toner Saving	Y	Y	Y	Y	Y
Print Priority Setting: Quality	N	Y	N	N	N
Print Priority Setting: Speed	N	Y	N	N	N
Print Priority Setting: High Speed	N	Y	N	N	N
User ID	Y	Y	Y	Y	Y
User Code	Y	Y	Y	Y	Y

Product Support Guide

Model D127/D128

Model	PCL 5e	PCL 6	XPS	PostScript3	
				Windows 2000/XP/7	Mac OSX 10.2 or later
User Authentication	Y	Y	N	N	N
Encryption/Encoding	Y	Y	N	N	N
Mirror Image Print	N	N	N	Y	N
Negative Image Print	N	N	N	Y	N
Edge to Edge Print (Full Bleed)	Y	Y	N	Y	Y
Limitation setting	Y	N	N	N	N
Classification Code	Y	Y	N	N	N

*1: "Centering" feature cannot be selected from PCL driver. However PCL has this feature as the original function.

When printing with Reduce/Enlarge(Zoom) feature of PCL driver, the output will be automatically centered by the PCL's original centering function

*2: This function is available on Mac OS 10.3 or later.

Other MFP Support Information

Not Applicable

Counters

- User Tools/Counter → Down Arrow (page 2) → Counter → Total Counter is Displayed
- User Tools/Counter → Down Arrow (page 2) → Counter → Total Counter is Displayed → Print Counter List → Start → Counter List is Printed
- Maximum 8 digits

Product Support Guide

Model D127/D128

Paper

Recommended Throughput Material

Not Applicable

Non Recommended Throughput Material

Refer to pages in the Operators Instructions Hardware Guide.

Do not use any of the following kinds of paper or a fault might occur:

- Aluminum Foil, Carbon paper.
- Conductive paper.
- Paper meant for an inkjet printer.
- Bent, folded, or creased paper.
- Torn paper.
- Thermal fax paper.
- Art paper.
- Paper with perforated lines.
- Hemmed-edge paper.
- Tab stock.
- Slippery paper.
- Perforated paper.
- Rough paper.
- Thin paper with little stiffness.
- Paper with a dusty surface.

Special Paper

Not Applicable.

Product Support Guide

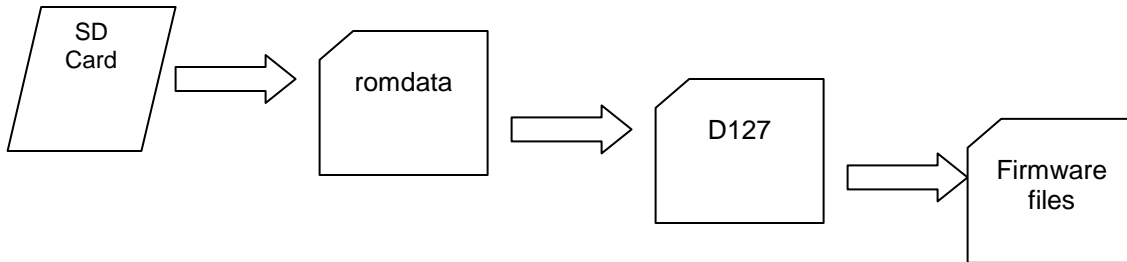
Model D127/D128

Firmware Information

Firmware

Firmware SD Card	Firmware Type
System/Copy	SD card System
Engine	SD card Engine
FCU	SD card FCU
NFA	SD card Network Docbox
Network Support	SD card NCS
Fax	SD card Fax
Printer	SD card Printer
Scanner	SD card Scanner
RFax	SD card RFax
Web Support	SD card Web Support
WebUapl	SD card WebUapl
Font	SD card Font
PCL	SD card PCL
Font EXP	SD card Font EXP
PS3 RPCS	SD card PS3 RPCS
PS3	SD card PS3
PDF	SD card PDF
Bank 1	SD card Bank 1
Bank 2	SD card Bank 2
Ope Panel EXP	SD card Ope Panel EXP
EXJS	SD card EXJS
Option Netware	SD card Option Netware

SD Card Arrangement



Product Support Guide

Model D127/D128

Contact Information

Name	Contact
Technical Services Call Center (Hotline)	Ricoh: (800) 537-4264 Savin/Gestetner: (800) 291-6044 Lanier: (800) 333-3147
Application Help Desk (Software Issues)	Ricoh Phone Card: 2 Call - 000781MIU, 5 Call - 000900MIU Savin Phone Card: 2 Call - 12992, 5 Call - 12993 Gestetner Phone Card: 2 Call - 12994, 5 Call - 12995
Hytec Parts and Logistics Control	(800) 557-4264 http://www.nrc-usa.com
Technology Solutions Resource Center	http://www.tscweb.net
Ricoh Web Site	http://www.ricoh-usa.com/
Savin iLINC Web Site	http://www.savin.com
Headquarter Web Sites	Ricoh Corporation: http://www.ricoh-usa.com Savin Corporation: http://www.savin.com Gestetner Corporation: http://www.gestetnerusa.com/ Lanier Corporation: http://www.lanier.com
Material Safety Data Sheets	(800) 336-MSDS (6737)
Ricoh University	973.882.2200. http://www.ricohuniversity.com

Training Information

Description	EDP Code	RFG E-Source Number
D127/D128 Service Manual	NA	rfg052745
D127/D128 Detailed Description Manual	NA	rfg052765
D127/D128 Point to Points	NA	rfg052746
D127/D128 Operating Instruction Manual	NA	rfg052747
D127/D128 Parts Catalog (full 3D)	NA	rfg052749
D127/D128 Parts Catalog (pdf)	NA	rfg052748
D127/D128 Service Documentation Update Package	NA	No Update Package
D127/D128 Self Pace Training	NA	Visit Ricoh University

Documentation

Please refer to the <http://www.ricohuniversity.com/> web site for the most up to date training information.

Please be aware that once a model or series is out of production, the Field Service Manual, Technical Service Bulletins and Ricoh University should be referenced for the most current information. Check the TSC website and e-Source.

Product Support Guide

Model D127/D128

Revisions

Final v1.0 6/8/12

Version 1.1 7/17/12 Added D127 SP version (Fax is an option on D127, standard on the D128).

Version 1.2 8/23/2012 Included list of features that will require the optional HDD in order to function. Pg. 5.