

ELBA

BUILT-IN CERAMIC HOB **MODEL: ECH-A9004ST**

Owner's Manual

Please read this manual carefully before operating your set.

Retain it for future reference.

Record model number and serial number of the set.

See the label attached on the set and quote this information to your dealer when you require service.

For The Warranty Terms & Conditions, Please Refer To Warranty Certificate

INDEX

Safety Precautions	Page 3-4
Instructions for installation:	
Technical information	Page 4
Position of the hob	Page 5
Electrical Connection	Page 5
Instructions for use:	
Instructions for the user	Page 6
Switching on the hob	Page 6
Single cooking zone	Page 7
Dual cooking zone	Page 7
Safety lock	Page 7
Timer	Page 8
Residual heat	Page 8
Cleaning and maintenance	Page 9

Please read this instruction carefully. It is advisable to keep this instruction manual in a safe place for future reference.

SAFETY PRECAUTIONS

- 1.** Keep electrical appliances out of reach from children. Do not let them to operate the appliances without supervision.
- 2.** This product is for household and indoor use only.
- 3.** Before the appliance is put into operation, make sure all protective films must be removed.
- 4.** This product is not intended for use by person (including children) with reduced physical, sensory or mental capabilities unless they have been given supervision or instruction concerning use of the appliance by a person responsible for their safety.
- 5.** If the power cord or plug is damaged, it must be replaced by the service centre or a qualified service technician to avoid hazard.
- 6.** Before installation, check if the mains supply voltage is matched with the voltage stated on the rating plate of the hood.
- 7.** There must be adequate air ventilation of the room when the product is used.
- 8.** There is a risk of fire if cleaning is not carried out in accordance with this instruction.
- 9.** Before maintenance or cleaning, disconnect the appliance from the mains and wait for it to cool down.
- 10.** Do not remove the plug by pulling the cable.

11. Do not store or place flammable liquids or items in the vicinity of this appliance.
12. Do not use harsh abrasive cleaners or sharp metal scrapers to clean the appliance since they can scratch the surface, which may result in shattering of the glass.
13. If the surface is cracked, switch off the appliance to avoid the possibility of electric shock.
14. During cleaning for the appliance, please do not use steam cleaner.
15. Always check that the controls are in the position 0 (OFF) when you finish using the hob.
16. During the use of appliance, the surface will become hot. Take care not to touch the surface of the hob.

INSTALLATION

Before Installation

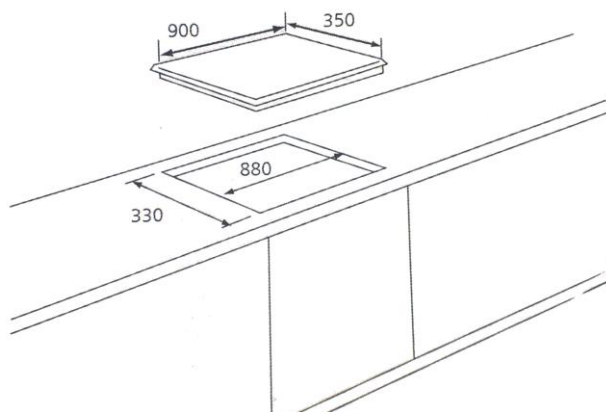
Installation and test must be carried out by professional service technician. The hob must be 150mm away from the wall or any obstacles. To avoid interference of taking the households when cooking, do not place any cookware or furniture 300mm from both sides of the hob.

The thickness of the table supporting the hob must be at least 30cm and it should be heat resisting or covered by a heat resisting material.

Technical Information

MODEL	ELBA ECH-A9004ST
VOLTAGE	220-240V
FREQUENCY	50-60Hz
OUTER SIZE	900mm (W) x 350mm (D)
CAST DIMENSION	880mm (W) x 330mm (D)
NET WEIGHT	5.0 KGS

Position of the Hob



The diagram illustrates the cutting size and additional shaping required for the built-in installation. It is always crucial for you to measure the actual ceramic hob dimension before making any cuts.

Electrical Connection

It is obligatory for the electrical system to be grounded according to the method required by safety rules.

Before the appliance is connected to the mains, please do assemble one polar breaker with over 3mm opened on the mains. The rated current of the breaker is strongly recommended over 40A.

Never unplug by pulling on the cable.

Immediately after installation carry out a brief inspection test of the hob by following the instructions. If the hob fails to operate, after checking that you have carried out the instructions correctly, disconnect the appliance from the electrical mains and contact the service centre.

Never attempt to repair or modify the appliance.

Do not use adapter or shunts as these could possibly cause overheating and risk of fire.

The appliance must not be built-in above a dishwasher.

Installation of an oven without cooling fan underneath the hob is forbidden.

BEFORE FIRST USE

Before cooking for the first time the hob has to be cleaned.

Simply put a saucepan of water on the cooking zone. Turn it on for at least 30 minutes. After 30 minutes, turn off the cooking zone. Repeat this step for the following 3 cooking zones.

This treatment is necessary in order to get rid of the odor and to evaporate the humidity that may have collected during the transportation and storage.

If the controls do not work properly after 30 minutes, it means that not all the humidity has evaporated. In this case, leave the hotplates on until all the humidity has evaporated and then turn off the hob.

INSTRUCTIONS FOR THE USER

When an icon is pressed the unit beeps to confirm. To operate, lightly press the icons printed on its surface.

On first connection to the electrical mains an operating check will be carried out automatically and all the indicator lights will come on for a few seconds.

SWITCHING ON THE HOB

When not in use, all hob components will be switched off. Hold down on/off key for 2 seconds to switch the hob on. The LED will turn on above the symbol to confirm that the hob is lit. If no functions are used within 10 seconds after switching on the hob, it will automatically turn itself off.

SINGLE COOKING ZONES

The associated cooking zone is indicated close to each control zone. After turning on the hob, press the key “+ and “-” to activate the cooking zone and adjust the power at which it should operate.

The power settings range from a minimum of 1 to a maximum of 9. You must adjust the power within 10 seconds otherwise it will automatically deactivate.

Press the “+” and “-” buttons in the following way to activate the cooking zone and adjust its power:

1. Press the symbol “+” (0 appears on the display: this means that the cooking zone is activated);
2. Continue to press the symbol “+”, you can adjust the power of the cooking zone up to the maximum value of 9;
3. To reduce the power, press the symbol “-”, you will adjust the power of the cooking zone down to the minimum value of 1.

DUAL COOKING ZONES

To activate heating of the dual cooking zone, once power 9 is reached by following the instructions provided above, press the “+” again. Now the maximum power of the cooking zone is activated and shown by the LED light turning on next to the number indicating the operating power.

Press the symbol “+” and “-” to adjust the power of the dual cooking zone to the desired value.

SAFETY LOCK

The cooking zone safety lock function is a user functions. It locks out the hob to prevent the ceramic cooking zones being switched on accidentally.

Hold down key lock for 1 second to lock the hob. The hob can be unlocked by holding down the key lock again for 1 second.

TIMER

This hob is equipped with a 1 to 99 minutes cooking timer. To use the timed cooking, first activate the cooking zone and set the desired power level from 1 to 9.

Once the power level is set, press the “time” symbol. The LED display will turn on to indicate the minutes to be set of the particular zone.

The duration of cooking time is determined by this LED display and can be set by pressing the “+” and “-” button.

The timer will start after the time is set and idle for 5 seconds and will stop when the display countdown to 0. At this point, the hob will automatically turn off.

It is possible to control two cooking zones using one LED display. Press the “time” button to shift the cooking zones and repeat the steps above.

To adjust the timer once it is set, press the “time” button until the LED display flashing and press the “+” and “-” button again.

RESIDUAL HEAT

Each cooking zone is equipped with a residual heat detecting device. After the cooking zone is switched off, a flashing “H” will appear on the display. This warns that the cooking zone is still hot and avoid touching the surface.

OPERATION ERROR

If the user makes a mistake when using the push-buttons, an “E” will appear on the display. User has to activate the hob again for further operation.

SWITCHING OFF

The cooking zone will be automatically switched off when the power level is at “0” for 5 seconds. The symbol “H” will appear on the display if the surface is hot.

CLEANING AND MAINTENANCE

Always disconnect the mains supply before cleaning the hob.

CLEANING THE CERAMIC HOB

The hob should be regularly cleaned, preferably after every use. Always wait until the residual heat warning light turn off before carrying out cleaning.

Smudges from aluminum-bottom pans can be easily cleaned off with a cloth dampened in vinegar.

Remove any burnt residues after cooking with the scraper; rinse with water and wipe dry with a clean cloth. Never use abrasive or corrosive detergents (e.g. cleaning powders, oven sprays, spot-removers, wire sponges)

Never use a steam jet to clean the appliance.

ELBA