

IMPORTANT INSTRUCTIONS - OPERATING MANUAL

Models: AK965, AKF965



Exhaust Fan with Heater

READ AND SAVE THESE INSTRUCTIONS

READ CAREFULLY BEFORE ATTEMPTING TO ASSEMBLE, INSTALL, OPERATE OR MAINTAIN THE PRODUCT DESCRIBED. PROTECT YOURSELF AND OTHERS BY OBSERVING ALL SAFETY INFORMATION. FAILURE TO COMPLY WITH INSTRUCTIONS COULD RESULT IN PERSONAL INJURY AND/OR PROPERTY DAMAGE!

RETAIN INSTRUCTIONS FOR FUTURE REFERENCE.

GENERAL SAFETY INFORMATION

When using electrical appliances, basic precautions should always be followed to reduce the risk of fire, electric shock and injury to person, including the following:

WARNING: TO REDUCE THE RISK OF FIRE, ELECTRIC SHOCK AND INJURY TO PERSON, OBSERVE THE FOLLOWING:

- a) Use this heater only as described in this manual. Any other use not recommended by the manufacturer may cause fire, electric shock, or injury to persons.
- b) Operate heater only when grille is installed.
- c) Before servicing or cleaning the unit, switch power off at service panel and lock the service disconnecting means to prevent power from being switched on accidentally. When the service disconnecting means cannot be locked, securely fasten a prominent warning device, such as a tag, to the service panel.
- d) Do not operate any heater after it malfunctions. Disconnect power at service panel and have heater inspected by a reputable electrician before reusing.
- e) Do not use outdoors.
- f) Do not insert or allow foreign objects to enter any ventilation or exhaust opening as this may cause and electric shock or fire, or damage the heater.
- g) To prevent a possible fire, do not block air intakes or exhaust in any manner.

WARNING: TO REDUCE THE RISK OF FIRE, ELECTRIC SHOCK AND INJURY TO PERSON, OBSERVE THE FOLLOWING:

- a) Installation work and electrical wiring must be done by qualified person(s) in accordance with all applicable codes and standards, including fire-related construction.
- b) For supply connections, use wires suitable for at least 75° C (167° F).
- c) Use copper wire only.
- d) Sufficient air is needed for proper combustion and exhausting of gases through the flue (chimney) of fuel burning equipment to prevent back drafting. Follow the heating equipment manufacturer's guideline and safety standards such as those published by the National Fire Protection Association (NFPA) and the American Society for Heating, Refrigeration, and Air Conditioning Engineers (ASHRAE), and the local code authorities.
- e) When cutting or drilling into wall or ceiling, do not damage electrical wiring and other hidden utilities.

CAUTION: FOR GENERAL VENTILATING USE ONLY. DO NOT USE TO EXHAUST HAZARDOUS OR EXPLOSIVE MATERIALS AND VAPORS.

- f) A heater has hot and arcing or sparking parts inside. Do not use in areas where gasoline, paint, or flammable vapors or liquids are used or stored.
- g) Ducted fans must always be vented to the outdoors.
- h) This unit must be grounded.
- i) To avoid motor bearing damage and noisy and/or unbalanced impellers, keep drywall spray, construction dust, etc. off power unit.
- j) This heater is hot when in use. To avoid burns, do not let bare skin touch hot surfaces.
- k) Extreme caution is necessary when any heater is used by or near children or invalids and whenever the heater is left operating and unattended.

IMPORTANT INSTRUCTIONS: Read all instructions before installing or using exhaust fan.

WARNING: TO REDUCE THE RISK OF FIRE, ELECTRIC SHOCK, DO NOT USE THIS FAN WITH ANY SOLID-STATE SPEED CONTROL DEVICE.

WARNING: DO NOT INSTALL OVER A TUB OR MOUNT IN A SHOWER STALL ENCLOSURE.

WARNING: DO NOT USE IN KITCHENS.

WARNING: THIS UNIT IS DESIGNED AND TESTED TO BE A SUPPLEMENTAL HEATER FOR USE WITH A TIMER OR A SWITCH. IT IS NOT INTENDED TO BE USED AS THE PRIMARY SOURCE OF HEAT AND CONTROLLED BY A THERMOSTAT.

Motor is thermally protected.

Electrical Ratings: AK965 - 120V, 60Hz., 15.65A
AKF965 - 120V, 60Hz., 15.20A

SAVE THESE INSTRUCTIONS

INSTALLATION INSTRUCTIONS

CAUTION: MAKE SURE POWER IS SWITCHED OFF AT SERVICE PANEL BEFORE STARTING INSTALLATION.

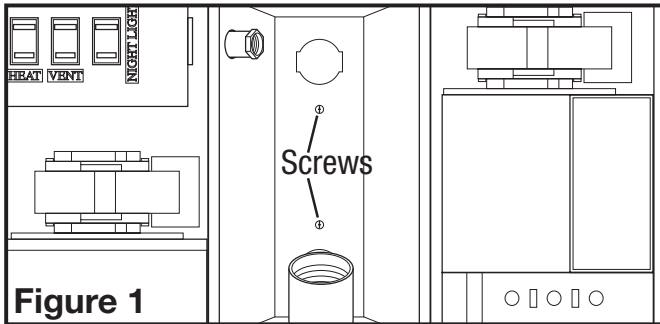
WARNING: TO REDUCE THE RISK OF FIRE, DO NOT STORE OR USE GASOLINE OR OTHER FLAMMABLE VAPORS AND LIQUIDS IN THE VICINITY OF THE HEATER.

SECTION 1

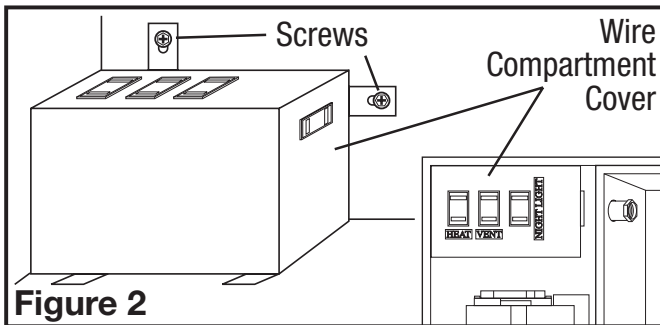
Preparing the Exhaust Fan

1. Unpack fan from the carton and confirm that all pieces are present. In addition to the exhaust fan you should have:
 - 1 - Grill with Light Lens
 - 4 - Mounting Rails
 - 2 - 2 Function Switches
 - 1 - Quad Wall Plate
 - 1 - Instruction/Safety Sheet

2. Remove the two machine screws holding the light reflector in place. Keep the reflector and screws in the carton until needed so they do not get damaged or lost (Figure 1).

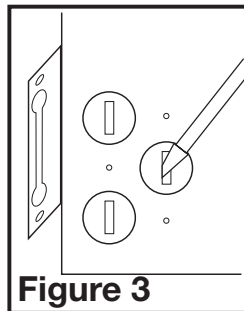


3. Remove the wire compartment cover by loosening the two screws holding the cover in place (Figure 2).



WARNING: DO NOT INSTALL OVER A TUB OR MOUNT IN A SHOWER STALL ENCLOSURE.

4. Choose the location for your unit. To ensure the best air and sound performance, it is recommended that the length of ducting and the number of elbows be kept to a minimum, and that insulated hard ducting be used. Larger duct sizes will reduce noise and airflow restrictions. This fan will require at least 7" of clearance in the ceiling, and will mount through drywall up to 3/4" thick. The fan can be mounted directly to the joist using the mounting tabs on the side of the housing or between 16" on center joists using the 4 provided mounting rails.



5. Remove the electrical knockouts using a straight-blade screw driver (Figure 3).

SECTION 2

New Construction

1. **Mounting Rail Installation:** Install the rails on the housing and position the housing next to the joist. Line up housing so it will be flush with the finished ceiling. Secure the ends of the rails with screws or nails (not included) to the joists and slide housing into final position (Figure 4).

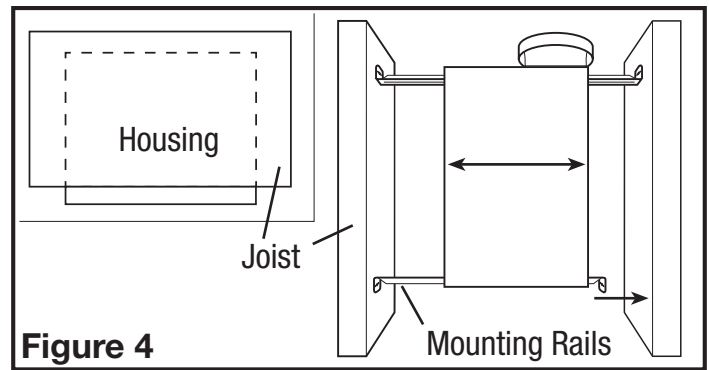


Figure 4

- 1a. **Mounting Tab Installation:** Line up housing so that it will be flush with the finished ceiling. Position the fan so that the tabs rest flat against the joist and secure with screws or nails (not provided) to ensure proper installation (Figure 5).

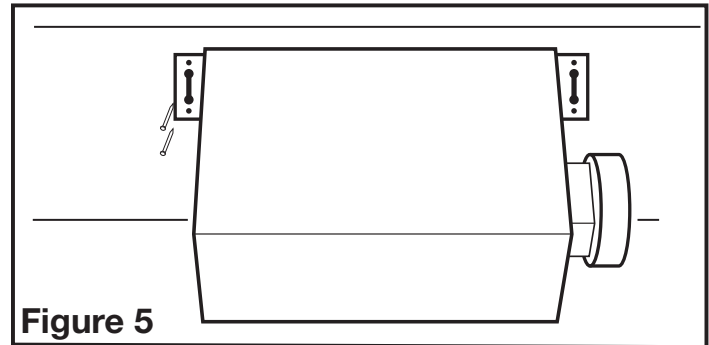


Figure 5

SECTION 3

Existing Construction

1. **Mounting Rail Installation:** Set housing in position between the joist and trace an outline onto the ceiling material (Figure 6). Set housing aside and cut opening, being careful not to cut or damage any electrical or other hidden utilities. Install the rails on the housing and position the housing in the previously cut hole so that it is flush with the finished ceiling. Secure the ends of the rails to the joists with screws or nails (not provided) to ensure proper installation (Figure 4).

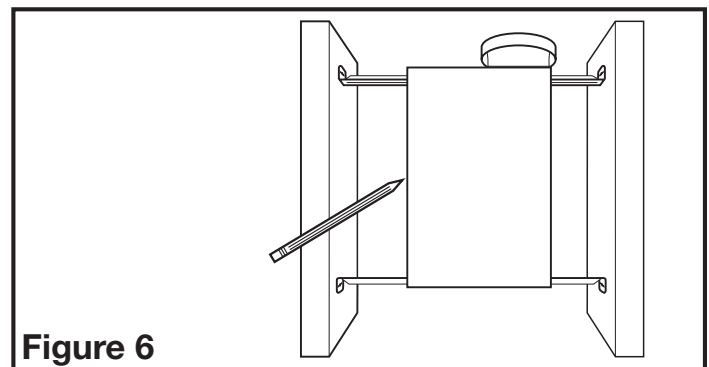


Figure 6

- 1a. **Mounting Tab Installation:** Position housing against the joist and trace an outline of the housing onto the ceiling material (Figure 7). Set housing aside and cut opening, being careful not to cut or damage any electrical or other hidden utilities. Place housing next to the joist and insure that it is flush with the finished ceiling. Secure with screws or nails (not provided) to the joists (Figure 5).

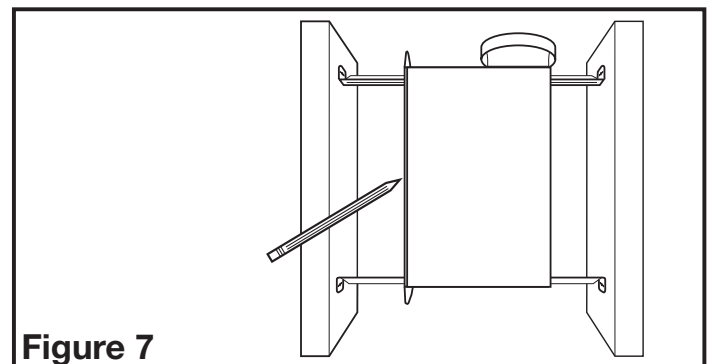


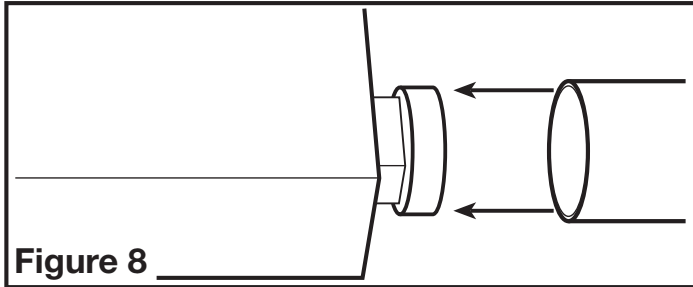
Figure 7

SECTION 4

Ducting

CAUTION: ALL DUCTING MUST COMPLY WITH LOCAL AND NATIONAL BUILDING CODES.

1. Remove any tape that might be holding the damper in place. Connect the ducting to the fan's duct collar (**Figure 8**) and secure in place using tape or screw clamp. Always duct the fan to the outside through a wall or roof cap.



SECTION 5

Wiring

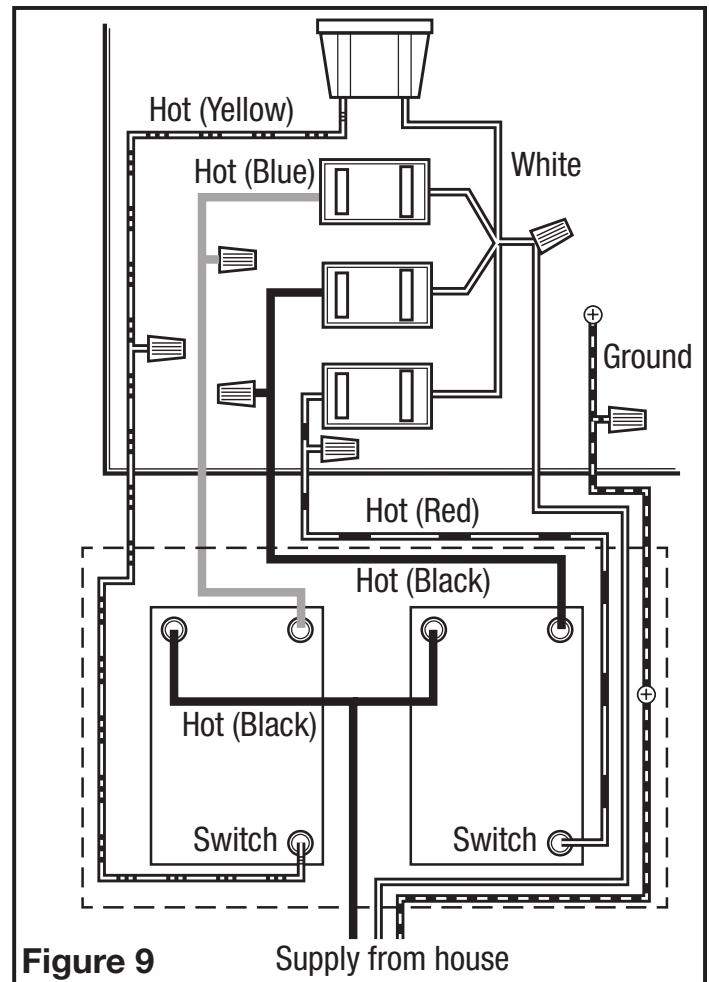
CAUTION: MAKE SURE POWER IS SWITCHED OFF AT SERVICE PANEL BEFORE STARTING INSTALLATION.

WARNING: THIS UNIT MUST BE WIRED ON A SEPARATE 20 AMP CIRCUIT.

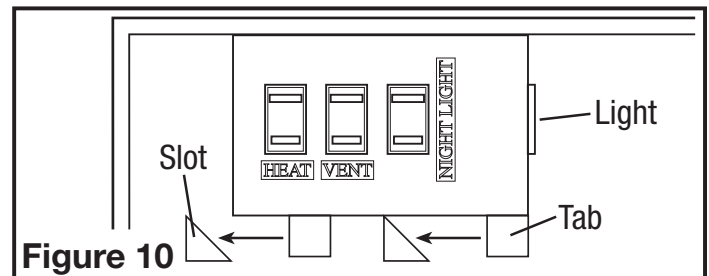
WARNING: USE APPROPRIATELY SIZED COPPER CONDUCTORS ONLY RATED FOR AT LEAST 75°C.

CAUTION: ALL ELECTRICAL CONNECTIONS MUST BE MADE IN ACCORDANCE WITH LOCAL CODES, ORDINANCES, OR NATIONAL ELECTRICAL CODE. IF YOU ARE UNFAMILIAR WITH METHODS OF INSTALLING ELECTRICAL WIRING, SECURE THE SERVICES OF A QUALIFIED ELECTRICIAN.

1. Using wiring carrying the appropriate rating, run a dedicated line on a 20 amp service from the main service panel to an approved wall junction box (not included). Once inside the junction box, split the hot (black) wire from the home and connect one end to each of the switches into the terminal marked "COMMON TERMINAL". Connect the ground (green or bare copper) wire from the home to the junction box. The neutral (white) wire from the home is not connected to the switch or junction box, but will be run to the unit's wire compartment. Use approved methods for all connections.
2. Run wiring from wall switches carrying the appropriate rating. One neutral (white), one ground (green or bare copper), and four hot (black, red, blue, yellow leads connected to the switch, one for each function). Secure the electrical wires to the housing with an approved electrical connector. Make sure you leave enough wiring in the box to make the connection to the fan's receptacles.
3. Connect the white wire from the house to the four white wires from the fan. Connect one hot (black) wire from the wall switch to the black wire from the fan (this is the fan control). Connect second hot (red) wire from the wall switch to the red wire from the fan (this is the heat control). Connect the third hot (blue) wire from the wall switch to the blue wire from the fan (this is the main light control). Connect the fourth hot (yellow) wire from the wall switch to the yellow wire from the fan (this is the night light control). Connect the ground wire from the house to the green wire from the fan (**Figure 9**). Use approved methods for all connections.



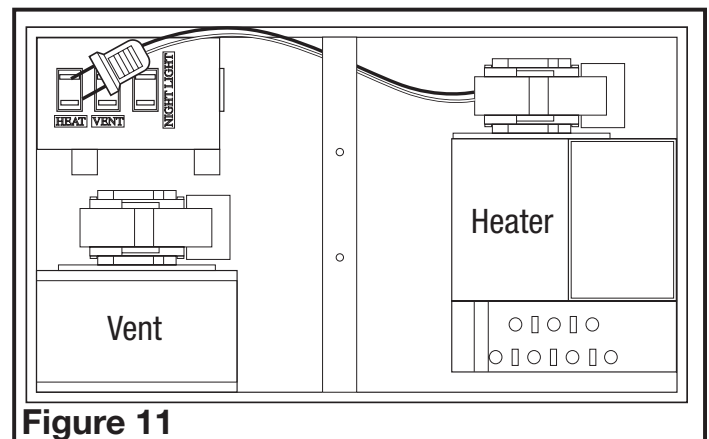
4. Reinstall the wire compartment cover by sliding the tabs at the bottom of the cover into the slots in the housing. Make sure all wires are tucked inside of the compartment and are not being pinched or showing through. Reinstall the two screws removed in **Step 3** of **SECTION 1 Preparing the Unit (Figure 10)**.



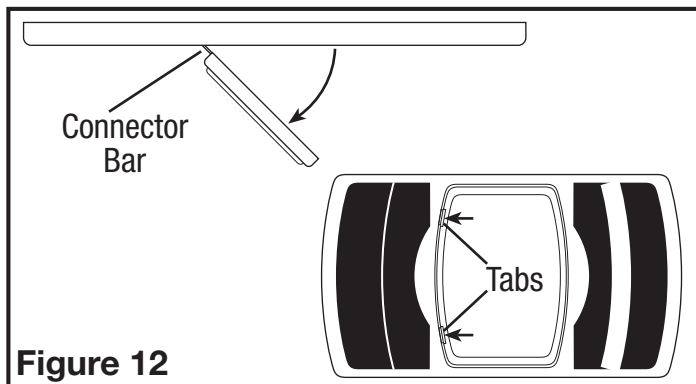
SECTION 6

Completing the Installation

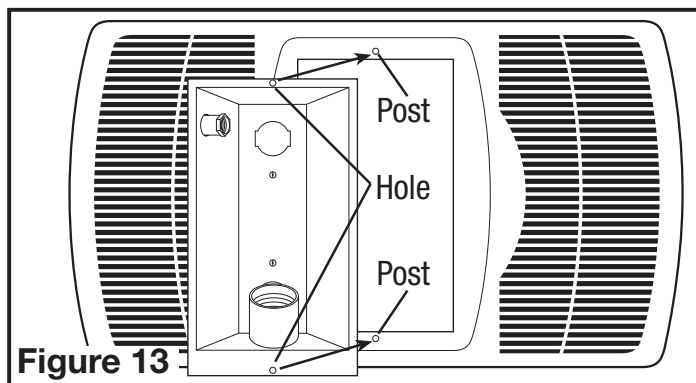
1. Insert the plug from the heating unit into the receptacle marked "HEAT", and the plug from the fan into the receptacle marked "VENT" (**Figure 11**).



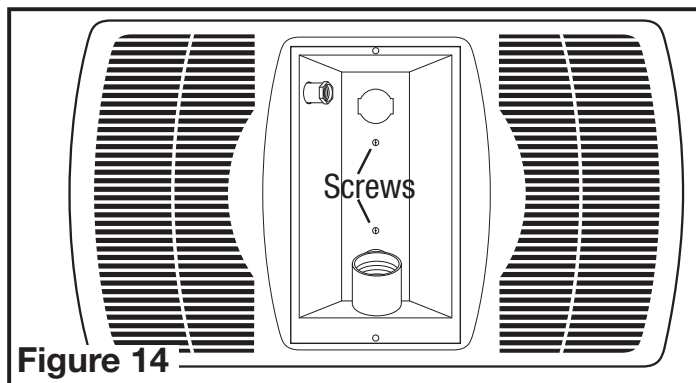
- Remove grill from carton and open light lens area by pushing in on the two tabs of the light lens and pulling outward from lens. The lens will swing open on the connector bars. DO NOT remove the lens from the grill (**Figure 12**).



- Install light reflector into grill by lining up the posts on grill with the holes in light reflector (**Figure 13**). Raise light reflector and grill up to housing and insert plug from light into receptacle marked "LIGHT" (located on the side of the wire compartment) and insert plug from night light into receptacle marked "NIGHT LIGHT" (**Figure 11**).



- Attach light reflector in place with the two screws removed during *Step 2* in **SECTION 1 Preparing the Unit** so grill fits snugly against ceiling (**Figure 14**).



CAUTION: FAILURE TO SECURE THE REFLECTOR SCREWS MAY RESULT IN A RATTLING OR HUMMING NOISE.

- Install the appropriate bulbs (not included) specific to your model:

AK965L: Install a 100 watt maximum, type A19 medium base incandescent bulb (not included) and a 7 watt maximum type C7 (candelabra base) night light (not included).

WARNING: TO REDUCE THE RISK OF FIRE, USE ONLY TYPE GU24 BULB, 26 WATT MAXIMUM.

AKF965: Install an Air King model 26SBL or a compatible GU24 26 watt self ballasted lamp (not included).

- Close the light lens and secure in place by swinging back into position and snapping the tabs in place (**Figure 12**).
- Restore power and test your installation.

SECTION 7

Operating Instructions

WARNING: HEATER MUST BE PROPERLY INSTALLED BEFORE IT IS USED.

- Each function of the heater is controlled via the wall switches described in **SECTION 5** of these instructions.
- This unit utilizes a thermal fuse located in the heater wiring. DO NOT tamper with this device.
- This unit utilizes an automatic resetting limit control located on the heating element housing. DO NOT tamper with this device.

SECTION 8

Maintenance Instructions

CAUTION: MAKE SURE POWER IS SWITCHED OFF AT SERVICE PANEL BEFORE SERVICING THE UNIT.

NOTE: Grill and fan should be cleaned when dust accumulation becomes visible on grill or every 6 months.

- Cleaning the Grill:** Reverse the instructions in **Section 6** *Completing the Installation* to remove grill. Use a mild detergent, such as dishwashing liquid, and dry with a soft cloth. NEVER USE ANY ABRASIVE PADS OR SCOURING POWDERS. Completely dry grill before reinstalling. Refer to instructions in **Section 6** *Completing the Installation*, to reinstall grill.
- Cleaning the Fan Assembly:** Wipe all parts with a dry cloth or gently vacuum the fan. NEVER IMMERSE ELECTRICAL PARTS IN WATER.

NOTE: Motors in this unit are permanently lubricated. Do not add lubricant.

WARNING: ANY OTHER SERVICING TO THIS UNIT SHOULD BE PERFORMED BY AN AUTHORIZED SERVICE REPRESENTATIVE.

CAUTION: ALLOW BULB TO COOL BEFORE REPLACING.

- Changing the Light Bulb:** Disconnect power to the unit. Open light lens by pushing in on the two tabs of light lens and pulling outward from lens. The lens will swing open on the connector bars. DO NOT remove the lens from the grill (**Figure 12**).

Incandescent Bulb (AK965L): Unscrew bulb from lamp holder and replace with a 100 watt maximum, type A19 medium base incandescent bulb.

WARNING: TO REDUCE THE RISK OF FIRE, USE ONLY TYPE GU24 BULB, 26 WATT MAXIMUM.

Fluorescent Bulb (AKF965): Remove lamp by gently twisting the lamp base counterclockwise while applying outward pressure. Installation is the reverse of removal. Replace with Air King model 26SBL or a compatible GU24 26 watt self ballasted lamp.

Night Light (AK965L, AKF965): Unscrew night light bulb from socket and replace with a 7 watt maximum type C7 (candelabra base) night light bulb.

Troubleshooting Guide

Trouble	Probable Cause	Suggested Remedy
1. Fan does not operate when the switch is on.	1a. A fuse may be blown or a circuit tripped. 1b. Connector plug from motor is not plugged in. 1c. Wiring is not connected properly. 1d. Motor has stopped operating.	1a. Replace fuse or reset circuit breaker. 1b. Turn off power to unit. Remove Grill and plug motor into receptacle in housing. Restore power to unit. 1c. Turn off power to unit. Check that all wires are connected. 1d. Replace motor.
2. Fan is operating, but air moves slower than normal.	2. Obstruction in the exhaust ducting.	2. Check for any obstructions in the ducting. The most common are bird nests in the roof cap or wall cap where the fan exhausts to the outside.
3. Fan is operating louder than normal.	3a. Motor is loose. 3b. Fan blade is hitting housing of unit.	3a. Turn off power to unit. Remove grill and check that all screws are fully tightened. Restore power to unit. 3b. Call your dealer for service.

LIMITED WARRANTY

WHAT THIS WARRANTY COVERS: This product is warranted against defects in workmanship and/or materials.

HOW LONG THIS WARRANTY LASTS: This warranty extends only to the original purchaser of the product and lasts for one (1) year from the date of original purchase or until the original purchaser of the product sells or transfers the product, whichever first occurs.

WHAT AIR KING WILL DO: During the warranty period, Air King will, at its sole option, repair or replace any part or parts that prove to be defective or replace the whole product with the same or comparable model.

WHAT THIS WARRANTY DOES NOT COVER: This warranty does not apply if the product was damaged or failed because of accident, improper handling or operation, shipping damage, abuse, misuse, unauthorized repairs made or attempted. This warranty does not cover shipping costs for the return of products to Air King for repair or replacement. Air King will pay return shipping charges from Air King following warranty repairs or replacement.

ANY AND ALL WARRANTIES, EXPRESSED OR IMPLIED (INCLUDING, WITHOUT LIMITATION, ANY IMPLIED WARRANTY OF MERCHANTABILITY), LAST ONE YEAR FROM THE DATE OF ORIGINAL PURCHASE OR UNTIL THE ORIGINAL PURCHASER OF THE PRODUCT SELLS OR TRANSFERS THE PRODUCT, WHICHEVER FIRST OCCURS AND IN NO EVENT SHALL AIR KING'S LIABILITY UNDER ANY EXPRESS OR IMPLIED WARRANTY INCLUDE (I) INCIDENTAL OR CONSEQUENTIAL DAMAGES FROM ANY CAUSE WHATSOEVER, OR (II) REPLACEMENT OR REPAIR OF ANY HOUSE FUSES, CIRCUIT BREAKERS OR RECEPTACLES. NOTWITHSTANDING ANYTHING TO THE CONTRARY, IN NO EVENT SHALL AIR KING'S LIABILITY UNDER ANY EXPRESS OR IMPLIED WARRANTY EXCEED THE PURCHASE PRICE OF THE PRODUCT AND ANY SUCH LIABILITY SHALL TERMINATE UPON THE EXPIRATION OF THE WARRANTY PERIOD.

Some states and provinces do not allow limitations on how long an implied warranty lasts, or the exclusion or limitation of incidental or consequential damages, so these exclusions or limitations may not apply to you. This warranty gives you specific legal rights. You may also have other rights which vary from state to state and province to province. Proof of purchase is required before a warranty claim will be accepted.

CUSTOMER SERVICE:

Toll-Free (800) 465-7300

Our Customer Service team is available to assist you with product questions, service center locations, and replacement parts. They can be reached Monday through Friday, 8am-4pm Eastern.

Please have your model number available, as well as the type and style (located on the label inside of your product).

Please do not return product to place of purchase.

www.airkinglimited.com

PARTS FOR DISCONTINUED, OBSOLETE AND CERTAIN OTHER PRODUCTS MAY NOT BE AVAILABLE. DUE TO SAFETY REASONS, MANY ELECTRONIC COMPONENTS AND MOST HEATER COMPONENTS ARE NOT AVAILABLE TO CONSUMERS FOR INSTALLATION OR REPLACEMENT.

Installer: _____

Installation Date: _____

Place of Purchase: _____

Model Number: _____

NOTES

INSTRUCTIONS IMPORTANTES – MANUEL D'OPÉRATION

Modèles: AK965, AKF965



Ventilateur d'évacuation
avec chauffage

LIRE ET CONSERVER CES INSTRUCTIONS

LIRE SOIGNEUSEMENT AVANT DE TENTER D'ASSEMBLER, INSTALLER, OPÉRER OU DE RÉPARER LE PRODUIT DÉCRIT. PROTÉGEZ VOUS-MÊME ET LES AUTRES EN OBSERVANT TOUTE L'INFORMATION DE SÉCURITÉ. FAILLIR À SE CONFORMER AUX INSTRUCTIONS PEUT RÉSULTER EN BLESSURE PERSONNELLE GRAVE ET/OU EN DOMMAGE À LA PROPRIÉTÉ.

CONSERVER CES INSTRUCTIONS POUR RÉFÉRENCES FUTURES.

INSTRUCTIONS GÉNÉRALES DE SÉCURITÉ

Lors de l'utilisation d'appareils électriques, des précautions de base doivent toujours être suivies pour réduire les risques d'incendie, de choc électrique et de blessures corporelles, incluant ce qui suit:

AVERTISSEMENT : POUR RÉDUIRE LES RISQUES D'INCENDIE, DE CHOC ÉLECTRIQUE OU DE BLESSURES PERSONNELLES OBSERVER CE QUI SUIT:

- Utilisez cet appareil uniquement tel que décrit dans ce manuel. Toute autre utilisation non recommandée par le fabricant peut provoquer un incendie, un choc électrique ou des blessures.
- Faites fonctionner le chauffage seulement lorsque la grille est installée.
- Avant d'effectuer un service ou de nettoyer l'unité, couper l'alimentation électrique dans le panneau de distribution et verrouiller le dispositif de déconnexion afin d'éviter que l'alimentation ne revienne accidentellement. Lorsque le dispositif ne peut être verrouillé, fixer solidement un avis d'avertissement, tel qu'une étiquette, au panneau de distribution.
- N'utilisez pas un appareil de chauffage après un mauvais fonctionnement. Débranchez l'alimentation au panneau de service et faites inspecter le chauffage par un électricien réputé avant de le réutiliser.
- N'utilisez pas à l'extérieur.
- N'insérez pas d'objets étrangers dans les ouvertures de ventilation ou d'évacuation d'air car ceci pourrait provoquer un choc électrique ou un incendie, ou endommager le chauffage.
- Pour éviter un incendie, n'obstruez pas les entrées ou les évacuations d'air en aucune manière.

AVERTISSEMENT : POUR RÉDUIRE LES RISQUES D'INCENDIE, DE CHOC ÉLECTRIQUE OU DE BLESSURES PERSONNELLES OBSERVER CE QUI SUIT:

- Le travail d'installation et le câblage électrique doivent être effectués par une(des) personne(s) qualifiée(s) en conformité avec tous les codes et normes applicables, incluant la construction relative aux incendies.
- Pour les connexions d'alimentation, utilisez des câbles adaptés à au moins 75 °C (167 °F).
- Utilisez des câbles en cuivre seulement.
- De l'air en quantité suffisante est requis pour la bonne combustion et l'évacuation de gaz par le conduit (cheminée) provenant d'équipement de brûlage au combustible pour prévenir un refoulement. Suivre les directives du fabricant de l'équipement de chauffage et les normes de sécurité telles que celles publiées par la National Fire Protection Association (NFPA) et de la American Society for Heating, Refrigeration, and Air Conditioning Engineers (ASHRAE), et de celles des autorités locales du code.
- Lors de coupe ou de perçage des murs et plafonds, ne pas endommager le filage électrique et autres utilités cachées.

ATTENTION : POUR USAGE DE VENTILATION GÉNÉRALE EXCLUSIVEMENT. NE PAS UTILISER POUR ÉVACUER DU MATÉRIEL ET DES VAPEURS DANGEREUSES OU EXPLOSIVES..

- Un chauffage comporte des parties chaudes qui produisent des étincelles à l'intérieur. N'utilisez pas dans des endroits où l'essence, la peinture ou des liquides et vapeurs inflammables sont utilisés ou entreposés.
- Les ventilateurs avec conduits doivent toujours être évacués vers l'extérieur.
- Cette unité doit être mise à la terre.
- Pour éviter des dommages aux roulements des moteurs et/ou des hélices bruyantes ou déséquilibrées, empêcher la poussière de cloison sèche, poussière de construction, etc., d'atteindre l'unité de puissance.
- Ce chauffage est chaud pendant son utilisation. Pour éviter les brûlures, ne laissez pas la peau nue toucher les surfaces chaudes.
- Une extrême prudence est nécessaire lorsqu'un chauffage est utilisé par ou près des enfants ou des personnes handicapées et à chaque fois que l'appareil est laissé en marche sans surveillance.

INSTRUCTIONS IMPORTANTES: Lire toutes les instructions avant d'installer ou d'utiliser la hotte de cuisine.

AVERTISSEMENT : POUR RÉDUIRE LES RISQUES D'INCENDIE OU DE CHOC ÉLECTRIQUE, NE PAS UTILISER CE VENTILATEUR AVEC UN RÉGULATEUR DE VITESSE ÉLECTRONIQUE.

AVERTISSEMENT : NE PAS INSTALLER AU-DESSUS D'UNE BAINOIRE NI AU-DESSUS D'UNE CABINE DE DOUCHE.

AVERTISSEMENT : NE PAS UTILISER DANS LES CUISINES.

AVERTISSEMENT : CETTE UNITÉ EST CONÇUE ET TESTÉE POUR N'ÊTRE QUE SOURCE ADDITIONNELLE DE CHAUFFAGE POUR UTILISATION AVEC UNE MINUTERIE OU UN INTERRUPTEUR. ELLE N'EST PAS CONÇUE POUR ÊTRE UTILISÉE COMME SOURCE PRINCIPALE DE CHAUFFAGE CONTRÔLÉE PAR THERMOSTAT.

Le moteur est protégé thermiquement.

Caractéristiques électriques: AK55L - 120V, 60Hz., 11.3A
AKF55 - 120V, 60Hz., 11.3A

CONSERVER CES INSTRUCTIONS

INSTRUCTIONS D'INSTALLATION

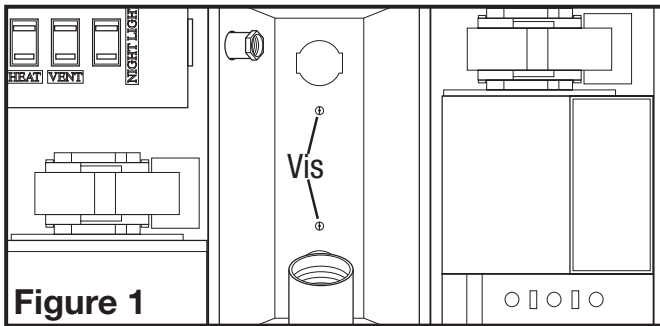
ATTENTION : VOUS ASSURER QUE L'ALIMENTATION EST COUPÉE AU PANNEAU DE SERVICE AVANT DE COMMENCER L'INSTALLATION.

AVERTISSEMENT: POUR RÉDUIRE LES RISQUES D'INCENDIE, NE PAS STOCKER NI UTILISER D'ESSENCE OU D'AUTRES VAPEURS ET LIQUIDES INFLAMMABLES À PROXIMITÉ DU CHAUFFAGE.

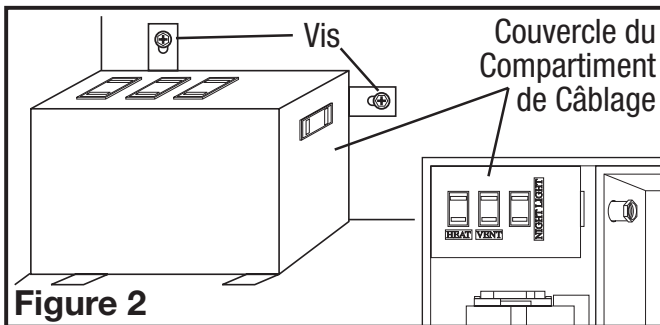
SECTION 1

Préparation du Ventilateur d'évacuation

- Sortir le ventilateur de sa boîte et confirmer que toutes les pièces sont présentes. En plus du ventilateur d'évacuation vous devriez avoir:
 - Grille avec les Lentilles de l'éclairage
 - Traverses de Montage
 - Commutateurs à 2 fonctions
 - Plaque murale quadruple
 - Feuillet d'instructions / sécurité
- Enlever les deux vis à métaux retenant le réflecteur en place. Conserver le réflecteur et les vis dans la boîte jusqu'au besoin pour éviter qu'ils soient perdus ou endommagés (Figure 1).

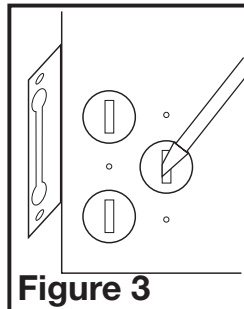


- Enlever le couvercle du compartiment de câblage fini en desserrant les deux vis qui tiennent le couvercle en place (Figure 2).



AVERTISSEMENT : NE PAS INSTALLER AU-DESSUS D'UNE BAIGNOIRE NI AU-DESSUS D'UNE CABINE DE DOUCHE.

- Choisissez l'emplacement pour votre unité. Pour assurer la meilleure performance du débit d'air et sonore, il est recommandé que la longueur des conduits et que le nombre de coudes soient gardés au minimum et que des conduits rigides isolés soient utilisés. Des plus grands formats de conduits réduiront le bruit et les restrictions au débit d'air. Ce ventilateur nécessite au moins 17,78 cm (7 po) de dégagement du mur ou du plafond, et peut s'installer au travers de cloisons sèches d'épaisseur de 1,9 cm (3/4 po). Le ventilateur peut être monté directement sur la solive à l'aide des onglets de montage ou entre les 40,6cm (16po) au centre des solives en utilisant les 4 traverses de montages fournies.



- Enlever l'alcôve défonçable à l'aide d'un tournevis plat (Figure 3).

SECTION 2

Nouvelle Construction

- Installation des Traverses de Montage :** Installer les traverses sur le châssis et positionner le châssis près de la solive. Aligner le châssis pour qu'il soit à effleurement avec le plafond fini. Fixer les extrémités des traverses avec des clous ou des vis (non-comprisés) aux solives et glisser le châssis à sa position finale (Figure 4).

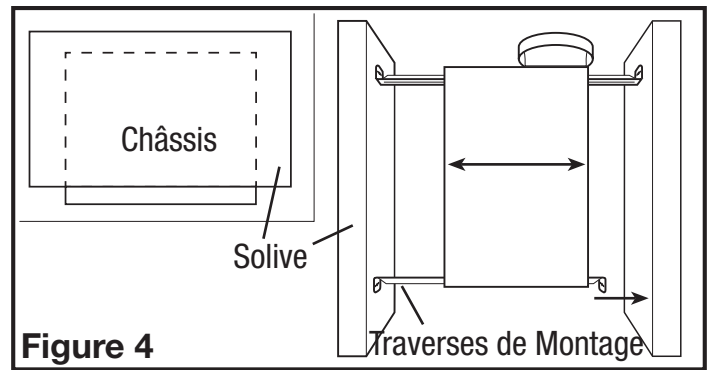


Figure 4

- Installation des Onglets de montage :** Aligner le châssis pour qu'il soit à effleurement avec le plafond fini. Positionner le ventilateur pour que les onglets reposent à plat contre la solive et fixer en place à l'aide de quatre (4) clous (non-compris) pour assurer une bonne installation (Figure 5).

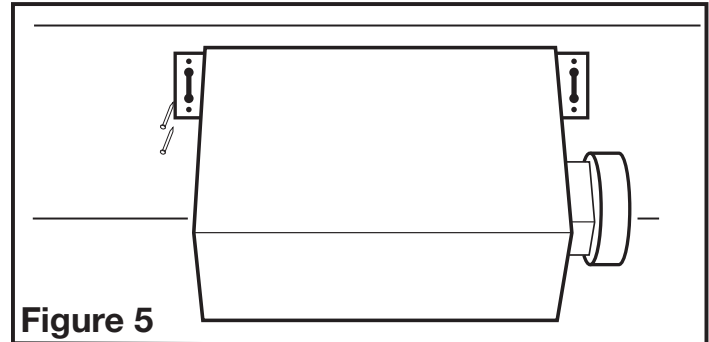


Figure 5

SECTION 3

Construction Existante

- Installation des Traverses de Montage :** placer le châssis en position entre les solives et tracer un contour sur le matériau du plafond (Figure 6). Mettre le châssis de côté et découper l'ouverture, en prenant soin de ne pas couper ou endommager des câbles électriques dissimulés ou autres utilités. Installer les traverses sur le châssis et positionner le châssis dans le trou percé précédemment afin qu'il soit à effleurement avec le plafond fini. Fixer les extrémités des traverses aux solives (Figure 4).

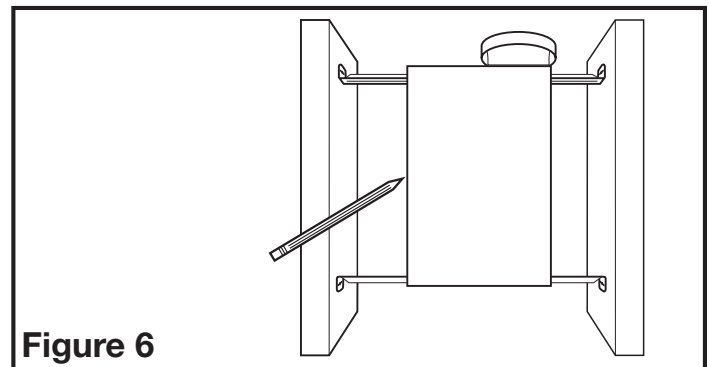


Figure 6

- Installation des onglets de montage :** Positionner le châssis contre la solive et tracer un contour du châssis sur le matériau du plafond (Figure 7). Mettre le châssis de côté et découper l'ouverture, en prenant soin de ne pas couper de câble électrique dissimulé ou autre utilité. Placer le châssis près de la solive et vous assurer qu'il soit à effleurement avec le plafond fini. Fixer avec quatre (4) clous (non-comprisés) pour assurer une installation adéquate (Figure 5).

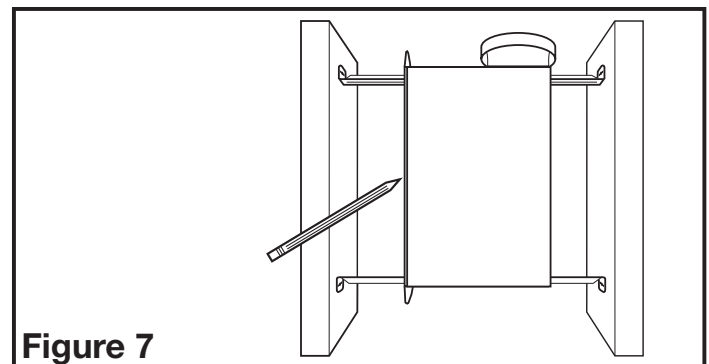


Figure 7

SECTION 4

Conduits

ATTENTION : TOUS LES CONDUITS DOIVENT ÊTRE CONFORMES AUX CODES DU BÂTIMENT LOCAUX ET NATIONAUX.

1. Enlever tout ruban adhésif qui pourrait retenir le clapet en place durant le transport et raccorder les conduits au collet du conduit du ventilateur (**Figure 8**). Fixer en place à l'aide de ruban ou de serre-joint. Toujours évacuer le ventilateur vers l'extérieur au travers de chapeau mural ou de toit.

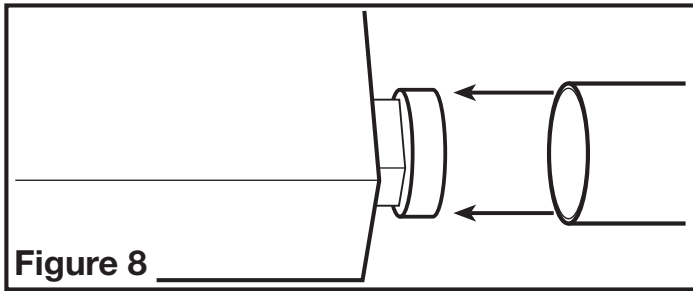


Figure 8

SECTION 5

Câblage

ATTENTION : VOUS ASSURER QUE L'ALIMENTATION EST COUPÉE AU PANNEAU DE SERVICE AVANT DE COMMENCER L'INSTALLATION.

AVERTISSEMENT : CETTE UNITÉ DOIT ÊTRE CONNECTÉE SUR UN CIRCUIT SÉPARÉ D'UNE CAPACITÉ DE 20 AMPÈRES.

AVERTISSEMENT : UTILISER UNIQUEMENT DES CONDUCTEURS EN CUIVRE DE CALIBRE APPROPRIÉ ET QUALIFIÉS POUR UN MINIMUM DE 75°C.

ATTENTION : TOUTES LES CONNEXIONS DOIVENT ÊTRE FAITES EN CONFORMITÉ AVEC LES CODES ÉLECTRIQUES LOCAUX OU NATIONAUX. SI VOUS N'ÊTES PAS FAMILIER AVEC LES MÉTHODES D'INSTALLATION DE CÂBLAGE ÉLECTRIQUE, RECOURREZ AUX SERVICES D'UN ÉLECTRICIEN QUALIFIÉ.

1. En utilisant du câblage de capacité appropriée, courir une ligne dédiée d'un service de 20 ampères provenant du panneau de service principal vers une boîte de jonction approuvée (noncomprise). Une fois à l'extérieur de la boîte de jonction, diviser le fil vivant (noir) de la résidence et en connecter une extrémité à chacun des interrupteurs dans le terminal marqué « TERMINAL COMMUN (COMMON TERMINAL) ». Connecter le fil de mise à la terre (vert ou cuivre nu) de la résidence à la boîte de jonction. Le fil de neutre (blanc) de la résidence n'est pas connecté à l'interrupteur ou à la boîte de jonction, mais il sera couvré vers le compartiment de câblage de l'unité. Utiliser des méthodes de raccordement approuvées pour toutes les connexions.
2. Courir du câblage des interrupteurs muraux ayant la capacité appropriée. Un neutre (blanc), un fil de mise à la terre (vert ou cuivre nu), et quatre vivants (fils noir, rouge, bleu, jaune) connectés à l'interrupteur, un pour chaque fonction). Fixer les fils électriques au châssis avec un connecteur électrique approuvé. Assurez-vous de laisser suffisamment de fil dans la boîte pour pouvoir faire les raccords aux réceptacles du ventilateur.
3. Connecter le fil blanc de la résidence vers les quatre fils blanc du ventilateur. Connecter un fil vivant (noir) de l'interrupteur mural vers le fil noir du ventilateur (celui-ci pour le contrôle du ventilateur). Connecter le second fil vivant (rouge) de l'interrupteur mural vers le fil rouge du ventilateur (celui-ci pour le contrôle du chauffage). Connecter le troisième fil vivant (bleu) de l'interrupteur mural vers le fil bleu du ventilateur (celui-ci pour le contrôle de la lampe principale). Connecter le quatrième fil vivant (jaune) de l'interrupteur mural au fil jaune de l'interrupteur mural au fil jaune du ventilateur (contrôle de la lampe de nuit). Connecter le fil de mise à la terre de la résidence au fil vert du ventilateur (**Figure 9**). Utiliser des méthodes approuvées pour toutes les connexions.

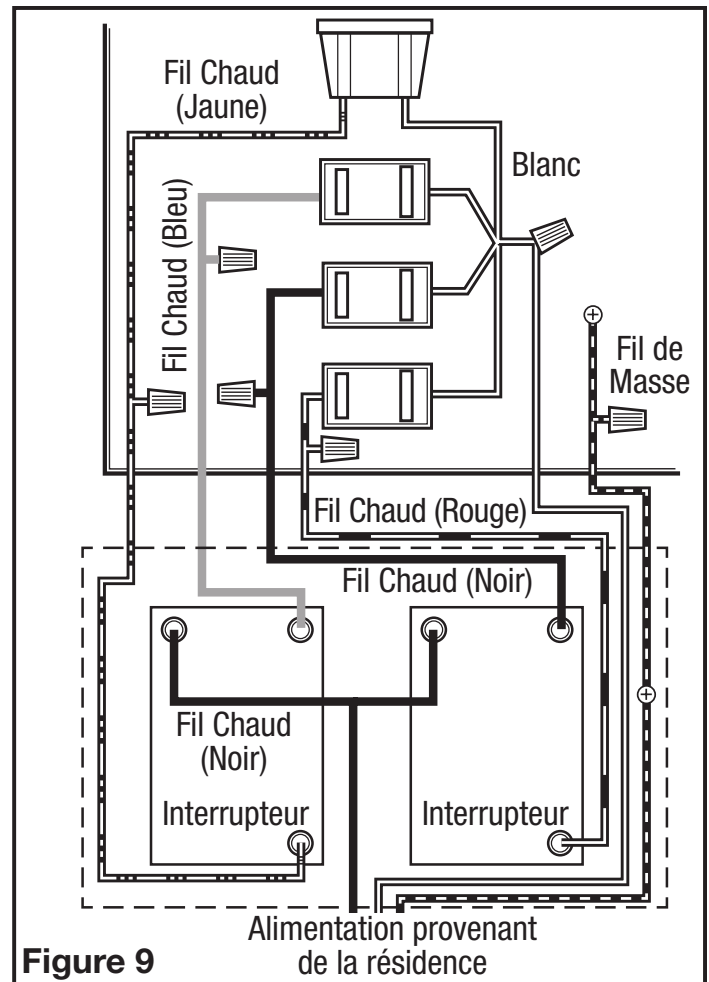


Figure 9

4. Réinstaller le compartiment de câblage en glissant les onglets au bas du couvercle dans les fentes dans le châssis. Assurez-vous que tous les fils sont attachés à l'intérieur du compartiment de câblage et qu'ils ne sont pas coincés ou dénudés. Réinstaller les deux vis enlevées à l'étape 3 de la **SECTION 1 Préparation de l'unité (Figure 10)**.

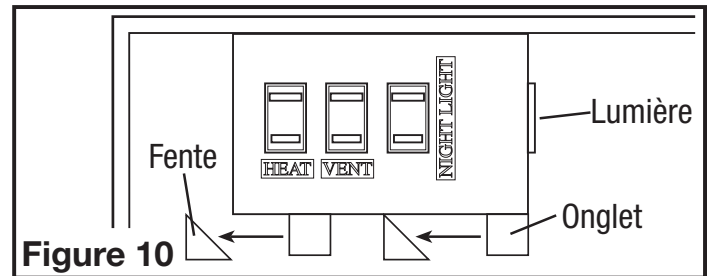


Figure 10

SECTION 6

Complétion de l'installation

1. Insérer la fiche provenant de l'unité de chauffage dans le réceptacle marqué « CHAUFFAGE (HEAT) », et la fiche venant du ventilateur dans le réceptacle marqué « VENT » (**Figure 11**).

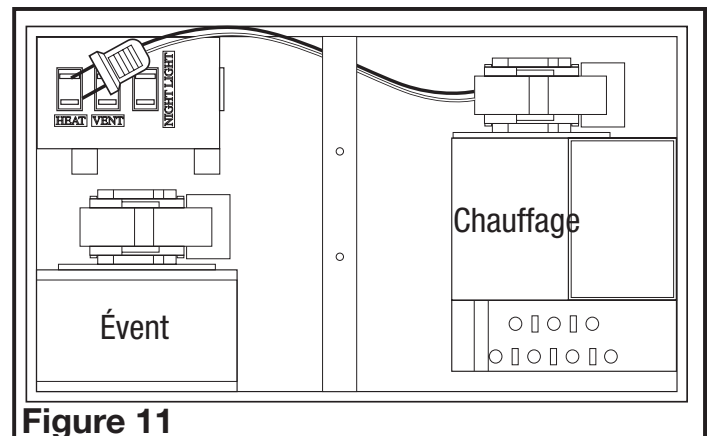
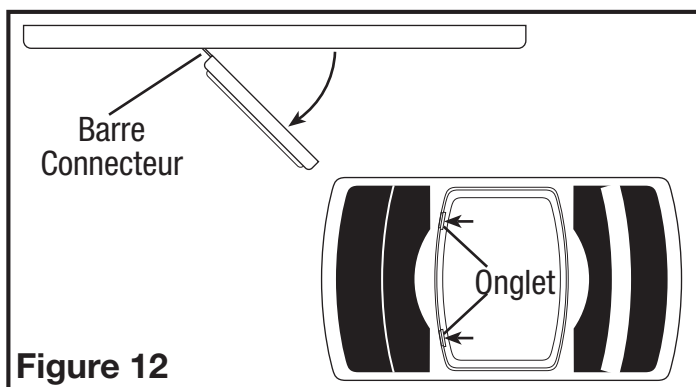
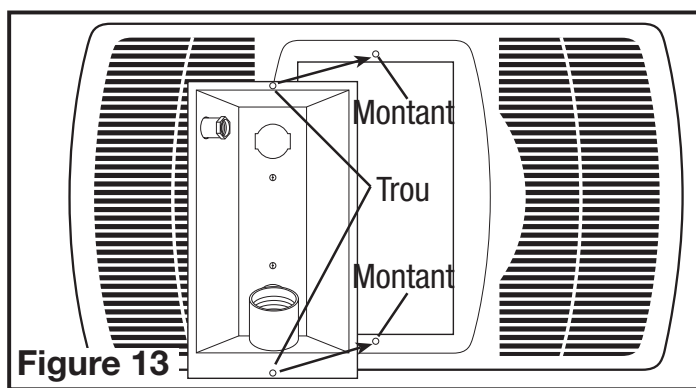


Figure 11

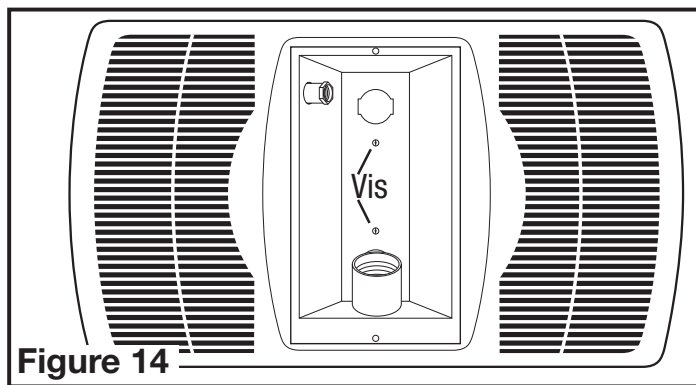
- Enlever la grille de la boîte et ouvrir la section lentilles de lampe en poussant sur les deux onglets des lentilles de lampe et en tirant vers l'extérieur des lentilles. Les lentilles basculeront en position ouverte sur les barres connecteurs. NE PAS enlever les lentilles de la grille (Figure 12).



- Installer le réflecteur de lumière dans la grille en alignant les montants sur la grille avec les trous dans le réflecteur de lumière (Figure 13). Soulever le réflecteur de lumière et la grille jusqu'au châssis et insérer la fiche de la lumière dans le réceptacle marqué « LUMIÈRE (LIGHT) » (situé sur le côté du compartiment de câblage) et insérer la fiche de la lampe de nuit dans le réceptacle marqué « LAMPE DE NUIT (NIGHT LIGHT) » (Figure 11).



- Attacher le réflecteur de lumière en place avec les deux vis enlevées durant l'Étape 2 de la SECTION 1 Préparation de l'unité, de sorte que la grille s'ajuste solidement contre le plafond (Figure 14).



ATTENTION : UN MANQUEMENT À BIEN SERRER LES VIS DU RÉFLECTEUR PEUT RÉSULTER EN UN BRUIT DE CRÉCELLEMENT OU DE GRONDEMENT.

- Installer les ampoules appropriées (non-comprises) spécifiques à votre modèle:
AK965L : Installer une ampoule incandescente à culot moyen de type A19 de 100 watts au maximum (non-comprise) et une ampoule d'un maximum de 7 watts (culot de type candélabre) lampe de nuit (non-comprise).

AVERTISSEMENT : POUR RÉDUIRE LE RISQUE D'INCENDIE, UTILISER UNIQUEMENT UNE LAMPE DE TYPE GU24, D'UN MAXIMUM DE 26 WATTS.

AKF965 : Installer une lampe à lumière mixte de 26 watts du modèle Air King 26SBL ou d'un modèle compatible GU24 (non-comprise).

- Fermer les lentilles de lumière et fixer en place en les basculant en position et en pressant les onglets en place (Figure 12).
- Restaurer l'alimentation et tester votre installation.

SECTION 7

Mode d'emploi

AVERTISSEMENT : LE CHAUFFAGE DOIT ÊTRE INSTALLÉ CORRECTEMENT AVANT D'ÊTRE UTILISÉ.

- Each function of the heater is controlled via the wall switches described in **SECTION 5** of these instructions.
- Cet appareil utilise un fusible thermique situé dans le câblage du chauffage. NE touchez PAS à ce dispositif.
- Cet appareil utilise une commande de limite d'amorçement automatique situé sur le boîtier de l'élément chauffant. NE touchez PAS à ce dispositif.

SECTION 8

Instructions d'entretien

ATTENTION : VOUS ASSURER QUE L'ALIMENTATION EST COUPÉE AU PANNEAU DE SERVICE AVANT DE COMMENCER L'INSTALLATION.

NOTE: le grill et le ventilateur doivent être nettoyés lorsque l'accumulation de la poussière devient visible sur le grill ou à tous les 6 mois.

- Nettoyage de la grille :** Inverser les instructions dans la **Section 6 Compléter l'installation**, pour enlever la grille. Utiliser un détergent doux, tel que du liquide à vaisselle, puis sécher avec un chiffon doux. NE JAMAIS UTILISER DE POUDRE ABRASIVE OU DE TAMPON À RÉCUREUR. Sécher complètement la grille avant de la réinstaller. Référez-vous à la **Section 6 Compléter l'installation**, pour réinstaller la grille.
- Nettoyage de l'assemblage du ventilateur :** nettoyer toutes les pièces avec un chiffon sec ou passer délicatement l'aspirateur dans le ventilateur. NE JAMAIS IMMERGER DES PIÈCES ÉLECTRIQUES DANS L'EAU.

NOTE: Les moteurs de cette unité sont lubrifiés en permanence. N'ajoutez pas de lubrifiant.

AVERTISSEMENT : TOUT AUTRE ENTRETIEN À CET APPAREIL DOIT ÊTRE EFFECTUÉ PAR UN TECHNICIEN AGRÉÉ.

ATTENTION : PERMETTRE À L'AMPOULE DE SE REFRROIDIR AVANT DE LA REPLACER.

- Remplacement de l'ampoule :** Débrancher l'alimentation de l'unité. Ouvrir les lentilles de lumière en poussant sur les deux onglets et en la tirant vers l'extérieur des lentilles. Les lentilles basculeront en position ouverte sur les barres connecteurs. NE PAS enlever les lentilles de la grille (Figure 12).

Ampoule Incandescente (AK965L) : Dévisser le globe du socle de lampe et le remplacer avec une ampoule incandescente d'un maximum de 100 watts, de type A19 à culot moyen.

AVERTISSEMENT : POUR RÉDUIRE LE RISQUE D'INCENDIE, UTILISER UNIQUEMENT UNE LAMPE DE TYPE GU24, D'UN MAXIMUM DE 26 WATTS.

Ampoule Fluorescente (AKF965) : Enlevez la lampe en tournant doucement la base de lampe dans le sens contraire des aiguilles d'une montre tout en appliquant une pression extérieure. L'installation est l'inverse du démontage. Remplacez par une lampe à lumière mixte de 26 watts du modèle Air King 26SBL ou d'un modèle compatible GU24.

Lumière de Nuit (AK965L, AKF965) : Dévisser l'ampoule de lumière de nuit de son socle et la remplacer avec une ampoule d'un maximum de 7 watts (culot de type candélabre) lampe de nuit.

Guide de dépannage

Trouble	Cause Possible	Solution Suggérée
1. Le ventilateur ne fonctionne pas lorsque	1a. Un fusible peut être grillé ou un disjoncteur l'interrupteur est à la position en marche. 1b. La fiche de raccord du moteur n'est pas connectée. 1c. Le câblage n'est pas raccordé correctement. 1d. La moteur est terminée	1a. Remplacer le fusible ou réinitialiser le disjoncteur. peut être déclenché. 1b. Couper l'alimentation à l'unité. Retirer la grille et brancher le moteur dans le réceptacle dans le cabinet. Remettre l'alimentation sur l'unité. 1c. Couper l'alimentation de l'unité. Vérifier que tous les fils sont raccordés. 1d. Remplacez la moteur
2. Le ventilateur fonctionne, mais l'air circule plus lentement que la normale.	2. Obstruction dans les conduits d'évacuation.	2. Vérifier pour toute obstruction dans les conduits. Les plus courantes sont des nids d'oiseau dans le chapeau de toit ou mural là où le ventilateur s'évacue vers l'extérieur.
3. Le ventilateur fonctionne de manière plus bruyante que la normale.	3a. Le moteur est lâche. 3b. L'hélice du ventilateur frotte contre le cabinet de l'unité.	3a. Couper l'alimentation à l'unité. Retirer la grille et vérifier que toutes les vis sont complètement serrées. Remettre l'alimentation sur l'unité. 3b. Appeler votre marchand pour un service.

GARANTIE LIMITÉE

CE QUE COUVRE CETTE GARANTIE : Ce produit est garanti contre tout vice de fabrication ou de matière.

COMBIEN DE TEMPS CETTE GARANTIE DURE : Cette garantie se rapporte seulement à l'acheteur original du produit et dure pendant une (1) année de la date de l'achat original ou jusqu'à ce que l'acheteur original du produit vend ou transfère le produit, celui qui se produit en premier.

QUE FERA AIR KING : Au cours de la période de garantie, Air King, à son choix, réparera ou remplacera n'importe quelle partie ou pièces qui s'avèrent défectueuses ou remplacera le produit entier par le même modèle ou un modèle comparable.

CE QUE CETTE GARANTIE NE COUVRE PAS : Cette garantie ne s'applique pas si le produit était endommagé ou arrête de fonctionner en raison d'un accident, d'une mauvaise manipulation ou opération, de dommages d'expédition, d'abus, de mauvaise utilisation, de réparation faite ou tentées non autorisées. Cette garantie ne couvre pas les coûts d'expédition pour le retour des produits à Air King pour la réparation ou le remplacement. Air King payera les frais d'expédition de retour de Air King après les réparations ou le remplacement de garantie.

TOUTES LES GARANTIES, EXPRESSES OU TACITES (COMPRENANT, SANS LIMITATION, TOUTE GARANTIE TACITE DE VALEUR MARCHANDE), DURENT UN AN DE LA DATE DE L'ACHAT ORIGINAL OU JUSQU'À CE QUE L'ACHETEUR ORIGINAL DU PRODUIT VEND OU TRANSFÈRE LE PRODUIT, CELUI QUI SE PRODUIT EN PREMIER ET DANS AUCUN CAS AIR KING N'ASSUME AUCUNE RESPONSABILITÉ EXPRESSE OU TACITE POUR (I) DES DOMMAGES ACCIDENTELS OU INDIRECTS DE N'IMPORTE QUELLE CAUSE, OU (II) LE REMPLACEMENT OU LA RÉPARATION DE TOUS FUSIBLES, DISJONCTEURS OU RÉCEPTACLES DE MAISON. MALGRÉ N'IMPORTE QUOI À L'EFFET CONTRAIRE, DANS AUCUN CAS LA RESPONSABILITÉ D'AIR KING, SOUS UNE GARANTIE EXPRESSE OU TACITE, NE DÉPASSERA LE PRIX D'ACHAT DU PRODUIT ET UNE TELLE RESPONSABILITÉ SE TERMINERA AVEC L'EXPIRATION DE LA PÉRIODE DE GARANTIE.

Certains états et provinces ne permettent pas les limitations de la période de garantie, ou l'exclusion ou la restriction des dommages accidentels ou indirects, et, par conséquent, les présentes restrictions ne peuvent pas s'appliquer. La présente garantie vous donne des droits légaux spécifiques et peut-être certains autres droits qui peuvent varier selon la province. La preuve d'achat est exigée avant qu'une réclamation de garantie ne soit acceptée.

SERVICE À LA CLIENTÈLE :

Sans frais (800) 465-7300

Notre équipe de service à la clientèle est disponible pour vous aider avec des questions sur le produit, les adresses des centres de service, et les pièces de rechange. Vous pouvez la rejoindre, du lundi au vendredi, de 8h:00 à 16h:00 HNE. Veuillez avoir le numéro du modèle disponible, ainsi que le genre et le style (qui se trouvent sur l'étiquette à l'intérieur de votre produit).

Veuillez ne pas renvoyer le produit à l'endroit de l'achat.

www.airkinglimited.com

IL SE PEUT QUE LES PIÈCES POUR LES PRODUITS DISCONTINUÉS, OBSOLETES ET AUTRES PRODUITS NE SOIENT PAS DISPONIBLES. POUR DES RAISONS DE SÛRETÉ, BEAUCOUP DE COMPOSANTS ÉLECTRONIQUES ET LA PLUPART DES COMPOSANTS DES CHAUFFAGES NE SONT PAS À LA DISPOSITION DES CONSOMMATEURS POUR L'INSTALLATION OU LE REMPLACEMENT.

Installateur: _____

Date d'installation: _____

Endroit de l'achat: _____

Numéro de modèle: _____

NOTES