



SEBO AIRBELT K

MADE IN GERMANY

OWNER'S MANUAL

For Household Use Only



—



TABLE OF CONTENTS

Technical Details	2
Important Safety Instructions	3
Special AIRBELT K Product Features	4
Optional Power Heads for the AIRBELT K3	6
Optional Attachments, Accessories, Bags and Filters	6
Identification of Parts	7
Assembly	7
Standard Attachments	7
Optional Attachments	7
Operating Instructions	8
Starting the Machine	8
Suction Control	8
Operating the Machine	8
Additional Operating Instructions for K3 with Power Head	9
Starting the Machine and Suction Control	9
Operating the Machine	9
Using the Telescopic Tube, Hose & Attachments	10
Use and Maintenance of Brushes and Heads	10
The Parquet Nozzle	10
The Combination Nozzle	10
The Turbo Nozzle.....	10
Vacuum Maintenance	11
Changing the Filter Bag	11
Changing the Micro-Hygiene Filter	11
Changing the Exhaust Filter.....	11
Changing the AIRBELT	11
Clog Removal	12
Clogs in the Head or Brush	12
Clogs in the Telescopic Tube	12
Clogs in the Hose	12
Clogs in Entrance to Filter Bag.....	12
Trouble-Shooting Guide	13
AIRBELT K2 Schematic and Part Numbers	14
AIRBELT K3 Schematic and Part Numbers	15
Warranty	16
How To Contact SEBO	16

TECHNICAL DETAILS

Vacuum motor	1250 watts (10.6 amps)
Water lift (at motor)	110 inches
Airflow (at motor)	120 CFM
Filter bag capacity	.8 gallons
Sound level	63 dBA
Body weight	12 lbs
Motor protection	thermal cut-out
Cord length	20 feet
Range	31 feet

Technical details may be subject to change.

IMPORTANT SAFETY INSTRUCTIONS



READ ALL INSTRUCTIONS BEFORE USING THIS MACHINE

When using an electrical appliance, basic precautions must always be followed.

To reduce the risk of electric shock, this vacuum cleaner has a polarized plug; one blade is wider than the other. This plug will fit in a polarized outlet only one way. If the plug does not fit fully in the outlet, reverse the plug. If it still does not fit, contact a qualified electrician to install the proper outlet. Do not change the plug in any way. Connect only to the outlet type specified on the serial number plate underneath the machine.

SAVE THESE INSTRUCTIONS.

WARNING: To reduce the risk of fire, electric shock, or injury:

1. Do not leave vacuum while plugged in. Unplug from outlet when not in use and before servicing.
2. Do not use outdoors or on wet surfaces.
3. Do not use near small children or pets. Do not allow to be used as a toy. Use of this product by children should always be supervised by an adult.
4. Use only as described in this manual. Use only manufacturer-recommended attachments.
5. Do not use with a damaged cord or plug. If vacuum is not working as it should, has been dropped, damaged, left outdoors, or dropped into water, take it to a SEBO service center.
6. Do not pull or carry by cord, use cord as a handle, close a door on cord, or pull cord around sharp edges or corners. Do not run vacuum over cord. Keep cord away from heated surfaces.
7. Do not unplug by pulling on cord. To unplug, grasp the plug – not the cord.
8. Do not plug in if switch is in the “I” (ON) position.
9. Do not use outlets above counters to plug in vacuum – damage to items in the surrounding area could occur.
10. Always carry the vacuum over steps and sills.
11. Do not handle plug or vacuum handle with wet hands.
12. Do not put any object into vacuum openings. Do not use machine with any openings blocked. Keep openings free of lint, hair, and anything that may reduce air flow.
13. Do not re-use filter bags or wash the filters.
14. Do not remove any screws from vacuum.
15. Do not vacuum up anything that is burning or smoking, such as cigarettes, matches, or hot ashes.
16. Do not use vacuum without filter bag and/or filters in place.
17. Turn off all machine controls before unplugging.
18. Use extra care when cleaning on stairs.
19. Do not use machine to vacuum up flammable or combustible liquids such as gasoline or use in areas where they may be present.
20. Machines can cause a fire when operated near flammable vapors or materials. Do not operate this vacuum near flammable fluids, dust or vapors.
21. Maintenance and repairs must be done by qualified personnel.
22. Use only original SEBO replacement parts.
23. Do not use vacuum as a step.
24. If vacuum is used on plush carpet or carpet with thick padding, do not leave machine standing in one place with machine turned on.
25. While the vacuum is in use, the power cord should be unwound from the cable reel at least two thirds of its length. Hold plug when rewinding onto the cord reel. Do not allow plug to whip while rewinding.
26. Keep hair, loose clothing, fingers, and all parts of body away from vacuum openings and moving parts. Do not place fingers or other body parts under vacuum unless it is unplugged.
27. Do not place the power head over rug or carpet edges.
28. The vacuum has a manual reset thermal protector. The protector is reset by switching off the vacuum. The thermal protector needs some time to cool down after switching off! Check the vacuum for air blockages or mechanical failures before switching on.
29. Store the vacuum in a dry place at room temperature. When the vacuum is not in use, you should rewind the cord onto the cord reel.
30. Any other servicing should be performed by an authorized service representative.
31. The hose contains electrical wires. Do not use if damaged, cut, or punctured. Avoid picking up sharp objects.
32. Always unplug vacuum before connecting or disconnecting either hose or power head.
33. Use a SEBO power head only in combination with a SEBO vacuum cleaner.
34. Do not connect power head to a malfunctioning or damaged vacuum.

SEBO AIRBELT K PRODUCT FEATURES

SEBO Vacuums Save Money! – SEBO vacuums are the highest quality machines available. In fact, if properly maintained, SEBO vacuums can save ordinary residential users hundreds of dollars by providing excellent performance for ten to fifteen years or more. Typical vacuums perform poorly and usually do not last beyond two years. So, in the long run, SEBO vacuums cost less money than the five to six other vacuums purchased during that time period.

Outstanding Warranty Coverage – SEBO is confident about the quality of all its vacuums. Therefore, all models include a five-year warranty on the motor and all non-wear parts and a 1-year warranty on labor charges.



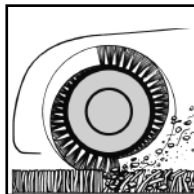
Brush Obstruction Light & Auto Shut Off – A warning light will quickly flash, the brush roller will immediately stop spinning and the vacuum will shut off, if an obstruction becomes jammed in the brush roller. The user should turn the power switch off, unplug the machine, and immediately remove the obstruction. If the user restarts the machine without removing the obstruction, the power head will again shut off and the amber light will turn on. This prevents the belt from breaking and protects the motor from damage.



Bag Full or Clog Light & Auto Shut Off – A warning light will illuminate and the machine will automatically shut off, when it senses a full bag, a clog in the airflow pathway, or an excessively dirty micro filter. If the vacuum's airflow pathway becomes restricted due to a full bag or the existence of a clog, the amber "BAG FULL OR CLOG" light (located on top of the canister near the ON/OFF power control knob) will illuminate. If the user ignores this warning, the suction motor will heat up due to the lack of cooling provided by the airflow. Once the motor reaches a certain temperature it will shut off to protect itself from damage. The user should turn the switch off, unplug the machine and immediately insert a new bag or remove the clog (to remove a clog, refer to the Clog Removal section on page 12). After approximately 30 minutes, the motor will have cooled and the vacuum can be restarted. If the airflow is still restricted, the "BAG FULL OR CLOG" light will again illuminate and the machine will shut off. This feature prevents damage to the motor due to overheating.



Incorrect Height Setting or Brush Deterioration Light – To ensure optimum cleaning at all times, a warning light will illuminate to indicate when the brush height is set too high for effective cleaning, or when the brush roller should be replaced due to excessive wear.



Anti-allergy Hospital-grade, S-class Filtration – An excellent choice for users with allergies or asthma. Certified by leading Allergy foundations in Europe, the AIRBELT K vacuums provide the user with S-Class filtration of 99.9% of particles to 0.3 microns. This is accomplished by the SEBO three-step filtration system. First, the three-layer full-size filter bag (a) collects the vast majority of the debris. Then, the remainder of the particles are collected by the hospital-grade microfilter (b). Finally, the micro-exhaust filter (c) cleans the exhaust air that the vacuum emits. The



air belt disperses the filtered exhaust air around the canister which provides quiet, gentle air flow. SEBO's unwavering attention to the complete sealing of the machine ensures no dirt escapes around the microfilters.

Liberation from Bagless! SEBO Bags are Hygienic – The three-layer filter bag is an integral part of SEBO's filtration system because it effectively contains nearly all dirt captured by the vacuum. And SEBO bags can be sealed when full, so no dust can escape into the air during disposal. In contrast, a lot of dust becomes airborne when emptying the dirt containers of bagless vacuums, and their micro filters quickly clog and must be replaced often, or a loss of suction will occur. And bagless vacuum micro filters are expensive, usually costing much more than SEBO's filter bags.

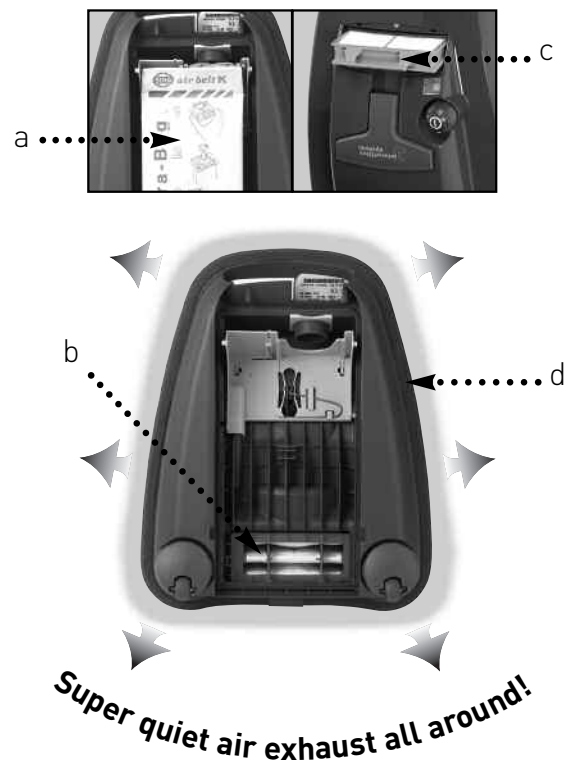


Micro Filters are Inexpensive and Easy to Change – Unlike most other vacuums, SEBO's replacement micro filters are reasonably priced and can be easily changed in seconds, without any tools. And the micro filters last a long time before replacements are necessary because nearly all dust particles and debris are first captured by the three-layer filter bags.

Remarkably Quiet Operation – A SEBO vacuum is so quiet, it will not scare pets, and the feature will be appreciated by family members.



SEBO three-step filtration system



SEBO AIRBELT K PRODUCT FEATURES

Designed for All Floor Surfaces.

AIRBELT K3: Five Power Head Choices –

The AIRBELT K3 has an electrified telescopic tube designed to accommodate any choice from the following five power heads: ET-1, ET-2, ET-H and DISCO. Each power head has unique features and benefits, but all power brushes are designed to provide thorough brushing for optimal cleaning of carpets. The DISCO power head enables the vacuum to polish hard floors.



K3 with DISCO

AIRBELT K3: Cleaning Dimensions – The ET-1 power head is 12-inches wide, with a cleaning width of 10 ½-inches, and the ET-2 is 14 ¾-inches wide, with a 13-inch cleaning width. The ET-C power head is 14-inches wide, with a 12 ½-inch cleaning width, and the ET-H is 11 ¾-inches wide, with an 11 ½-inch cleaning width. The DISCO is 13-inches wide, with an 11 ¾-inch polishing width.

Both Carpet and Hard Floor Cleaning – With a power brush to clean carpets and a parquet nozzle to clean hard floors, the AIRBELT K3 provides all the flexibility needed to care for a variety of floor surfaces. The parquet nozzle comes standard. The K3 vacuum can morph into a hard floor polisher, by adding a SEBO DISCO head.

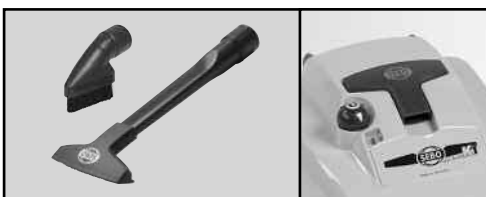
High-quality Telescopic Tube and Hose – On the K3, the power cord is built inside the telescopic tube and suction hose. This eliminates unsightly external wires and enables unobstructed and convenient handle height adjustment.

Variable Power Control on Handle – The vacuum's suction power can be adjusted from 0 to 1,250 watts by a slider switch conveniently located on the handle.



Mid-sized Canister Vacuum – The SEBO AIRBELT K3 and K2 are considered mid-size canister vacuums, which means they are machines medium in size that offer mid-sized, on-board attachments and a mid-sized filter bag with a dirt capacity of .8 gallons. The K machines also weigh four-pounds less than the C machines.

Three On-board Tools – The vacuum comes standard with a crevice tool, dusting brush and upholstery nozzle. The dusting brush is mounted on the telescopic tube, and the crevice and upholstery nozzles are on the canister. Many optional accessories are also available.



Dusting Brush Crevice Nozzle
Upholstery Nozzle

Brushless Cleaning Capability – The ET-1 or ET-2 power heads can provide gentle, brushless cleaning of delicate rugs or hard floors because the brush roller may be switched off, but suction will continue.

Four-level Manual Brush Height Adjustment – The brush height can be adjusted up or down for optimum cleaning.

Quick-release Connections – The AIRBELT K models allow for quick and convenient connection of telescopic tubes, power brush heads, accessory cleaning heads and on-board tools.

Shock Absorber Provides Furniture and Wall Protection – The “AIRBELT” bumper that surrounds the K canisters acts as a protective barrier. The soft foam bumper with its durable covering protects furniture, walls and the vacuum itself from damage during use.



Personalized Vacuums – AIRBELT canister vacuums can be personalized with a replacement AIRBELT bumper cover available in eight patterns and colors.

Powerful Vacuum Motors Provide Excellent Cleaning – The canister suction motor is 1,250 watts, and the power head motor is 175 watts (ET-1), for a total of 1,425 watts.

Comfortable Ergonomic Handle – The AIRBELT handles are ergonomically designed and positioned to reduce wrist and arm fatigue. For extra comfort, an additional swivel is built into the handle-to-hose connection.

Rubber Coated Wheels and High Quality Castors – The quality of the wheels and castors on SEBO canisters prevent damage to floors and rotate 360° for easy maneuverability.



Large Operating Range – A 31-foot operating range saves time because it minimizes the number of electrical outlets needed during use.

AIRBELT K2: The SEBO AIRBELT K2 is a straight-suction vacuum. As a result, it differs from the AIRBELT K3 in the following two ways:

Can Not Use a Power Brush – The AIRBELT K2 does not have an electrified telescopic tube and hose; therefore, it does not accommodate an electrified power brush. Instead, it comes standard with a Turbo Nozzle (an air-driven brush head) for cleaning rugs and carpet. It also comes standard with a Parquet Nozzle for cleaning hard floors.



Turbo Nozzle

Parquet Nozzle

Variable Power Control on Canister Body – Because the AIRBELT K2 does not have an electrified hose and handle, its variable power control switch is located on the canister body, not the handle.



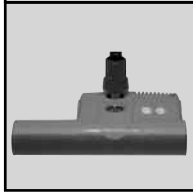
OPTIONAL POWER HEADS FOR THE AIRBELT K3

Deep clean your carpet with a SEBO power head, or polish your hard floor with a SEBO DISCO Ultra-High-Speed floor polisher! SEBO power heads and the DISCO polisher are virtually maintenance free, and their electronic overload protection feature extends belt life by automatically shutting off power, if a brush roller or polisher pad jams.

The SEBO ET-H Power Head (11 3/4" wide, 11 1/2" cleaning width) – Its patented new design offers dual-edge cleaning and a manual brush pressure control, for optimal cleaning from one type of flooring to another. The steering mechanism built into the swivel neck helps to easily clean around obstacles. It also has a brush height and brush wear warning light.



The SEBO ET-1 (12" wide, 10 1/2" cleaning width) and ET-2 Power Heads (14 3/4" wide, 13" cleaning width) – These power heads deliver cleaning flexibility because their brush action aggressively cleans carpeting, and the brush may be switched off to clean hard floors and delicate rugs. The steering ability of the swivel necks help to easily clean around obstacles, and their L-shaped heads provide maneuverability around furniture and under cabinets. They also have brush height and brush wear warning lights.



The SEBO DISCO (13" wide, 11 3/4" polishing width) – It's never been easier to make hard floors shine! The SEBO DISCO floor polisher can both vacuum and polish, for a super-gloss finish. It can be attached to the FELIX uprights or to the AIRBELT C or K canisters. Its suction removes fine dust (dust from fully dried floor polishing product) during polishing, and the 2,000 rpm disc speed will create a high-gloss shine for a fantastic hard floor finish. Additional DISCO features include automatic height adjustment, automatic safety shut-off caused by blockages or other reasons, a soft bumper to protect walls and furniture, a highly maneuverable swivel neck, and three rubber coated castors to protect the floor.

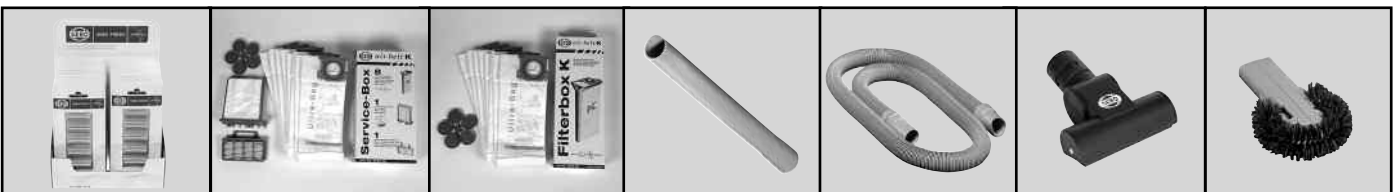


OPTIONAL ATTACHMENTS, ACCESSORIES, BAGS & FILTERS

In addition to the standard on-board tools, a variety of optional attachments are available. The nine-foot extension hose (extends suction hoses) and the 19-inch extension tube are very popular because they create useful tools for cleaning stairs and out-of-reach areas. These two items are sold separately or as part of multiple item attachment kits. Another popular attachment is the hand held turbo brush for removing pet hair from upholstery.

SEBO filter bags can be purchased in boxes of eight and filters are sold separately. Also, bags and filters can be purchased together in model-specific kits called "Service Boxes." SEBO bags, filters and accessories are reasonably priced and widely available.

To create a fresh scent while vacuuming, "SEBO FRESH" is available. To use, deposit a scented stick in the filter bag.



SEBO FRESH

K Service Box

K Filter Bags

Extension Tube

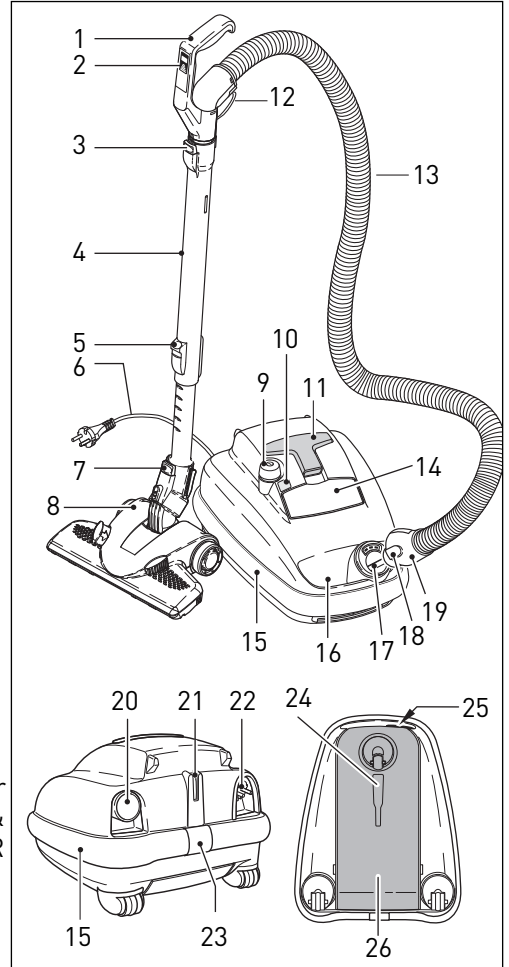
Nine-foot Extension Hose

Hand-held Turbo Brush

Radiator Brush

IDENTIFICATION OF PARTS

- | | |
|-----------------------------------|------------------------------------|
| 1. Handle grip | 14. Exhaust filter cover |
| 2. Power control slider (K3 only) | 15. AIRBELT shock absorber |
| 3. Handle release button | 16. Carrying handle |
| 4. Telescopic tube | 17. Suction opening |
| 5. Slide button | 18. Hose release button (K3 only) |
| 6. Power cable | 19. Hose neck |
| 7. Tool release button | 20. Crevice nozzle |
| 8. Combination nozzle | 21. Parking attachment holder |
| 9. On/Off power control knob | 22. Power cable shroud |
| 10. Warning light | 23. AIRBELT clip |
| 11. Upholstery Nozzle | 24. Parking attachment holder |
| 12. Mains cable (K3 only) | 25. Filter bag cover release catch |
| 13. Hose | 26. Filter bag cover |

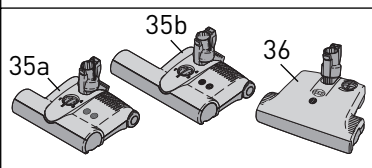
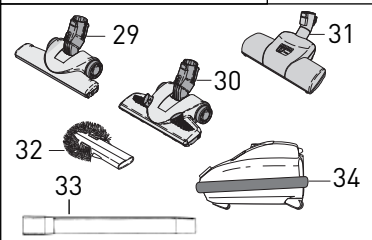
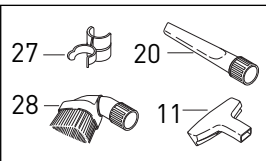


Standard Attachments

- | | |
|-----------------------|------------------------|
| 20. Crevice nozzle | 27. Dusting brush clip |
| 11. Upholstery nozzle | 28. Dusting brush |

Brushes, Heads, Optional Attachments

- | |
|--|
| 29. Premium Parquet nozzle - standard for the K3 Volcano, Red and Onyx. Optional for the K2 Midnight Blue - Part #7200DG |
| 30. Combination nozzle - standard for the K2 Midnight Blue. Optional for the K3 Volcano, Red & Onyx and K2 Hunter Green - Part #7260DG |
| 31. Turbo nozzle - standard for the K2 Hunter Green. Optional for the K3 Volcano, Red & Onyx and K2 Midnight Blue Part #6780ER |
| 32. Radiator brush - Part #1496HG |
| 33. Straight tube (20 in.) - Part #1084HG |
| 34. AIRBELT - Available in several colors and patterns - Part #6047AM/01-08 |



Power Heads - optional for the K3: 35a. ET-1 Power head - Red: Part #9299AM; Orange: Part #9272AM; Onyx: Part #9951AM
35b. ET-2 Power head - Red: Part #9250AM 36. ET-H Power head - Red: Part #9257AM

ASSEMBLY

Push the neck (19) of the hose (13) into the suction opening of the canister (17). **K3:** The notch in the suction opening will line up with the raised bar on the neck. When the notches are lined up correctly, the neck will snap firmly into place. To release the hose from the suction opening, press the release tab (18) on the neck of the hose (19), and pull the neck out. **K2:** To release the hose from the suction opening, squeeze the tabs (37) on the retaining ring and pull the neck out.

Attach the short mains cable (12 - K3 only) on the underside of the handle by connecting one cable plug where the hose connects to the handle and the other where the handle connects to the telescopic tube.

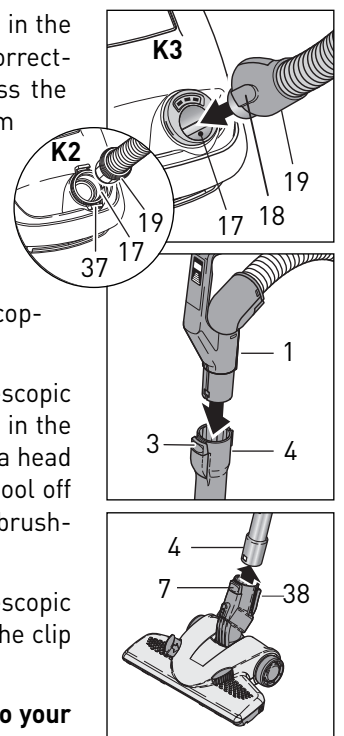
Connect the handle (1) to the top of the telescopic tube (4). Snap in place. To release the telescopic tube (4) from the handle, push the handle release button (3) and slide the handle out.

Attach the head or brush to the bottom of the telescopic tube (4). Insert the bottom of the telescopic tube into the neck of the head or brush (38) until it locks into place; or line up the square hole in the telescopic tube with the notches in the front of the neck, and snap firmly into place. To release a head or brush from the telescopic tube (4), push the release button (7), and pull the head or brush tool off the end of the telescopic tool. The release button (7) is in the same position on all of the heads, brushes and power heads.

To attach the dusting brush clip (27), locate the two raised ridges on the upper end of the telescopic tube (4) just below the handle. Push the clip onto the tube directly below the ridges then slide the clip up until it locks onto the ridges. Snap the dusting brush (28) into the holder.

NOTE: To attach a SEBO power head (ET-H, ET-1 or ET-2) to your K3 canister, please refer to your power head owner's manual for instructions. Attaching incorrectly could cause damage.

NOTE: All illustrations shown in this manual represent the K3 model except where part numbers and instructions are different for each model.



OPERATING INSTRUCTIONS ALL K VACUUMS

Starting The Machine - Figures 1, 2 & 3

Before turning on your canister, make sure that you have a firm hold on the handle grip to keep the machine from moving forward.

1. With the canister main power control knob (9) in the OFF position, grasp the plug and pull the power cord (6) out from the power cable recess (22). The power cord (6) should be unwound from the cable reel at least two thirds of its length. **Note:** do not over-extend the cord.
2. Plug the polarized power cord into a 120 volt wall outlet located near the floor.
3. Press the main power control knob on the base of the canister (9) gently with your foot or hand. The green light (10) will illuminate indicating that the power is on (K3 model only).

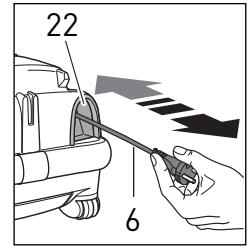


Figure 1

Suction Control - Figure 3

K2 users: the suction control dial is located on the top side of the canister on the power control knob (9). Rotate the dial counter-clockwise for maximum suction. Rotate clockwise to reduce suction for vacuuming curtains or delicate fabrics.

K3 users: for information on suction control, refer to page 9 of this manual.

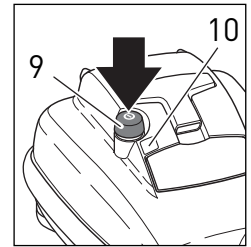


Figure 2 - K3

Operating the Machine - Figures 4, 5, 6 & 7

Adjust the telescopic tube (4) to the correct height by pushing the slide button (5) and gently pulling the tube out to lengthen, or pushing it in to shorten. Release the slide button (5) to lock the tube to the adjusted height.

When changing heads, always switch the vacuum off with the power control knob (9), and then unplug the power cord.

The "bag full or clog" light (#10, figure 2) works correctly only at full power. At lower power levels, the "bag full or clog" light may illuminate incorrectly. Check the status of the filter bag regularly at full power. If the light remains illuminated at full power, and the filter bag is not full, check for clogs (see page 12).

To retract the cord, switch the vacuum off, unplug it from the outlet, then gently pull on the cord near the plug recess (22) and the mechanism will automatically rewind. Before rewinding the cable, always switch off and unplug the vacuum. Hold the plug while rewinding the cord onto the cord reel. Avoid letting the plug whip while rewinding.

The vacuum can be stored with the canister in a horizontal or vertical position. The Parquet nozzle, Combination nozzle and Turbo nozzle have a parking tab located on the front of the neck (39). Insert the parking tab into the upper side of the parking groove and slide down firmly. For vertical storage, or for easy carrying, use the parking slot on the underside (24). For horizontal storage, use the parking slot on the end of the canister (21).

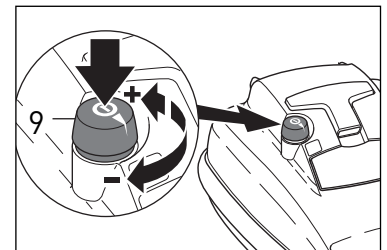


Figure 3 - K2

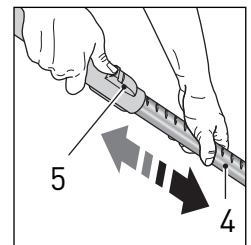


Figure 4

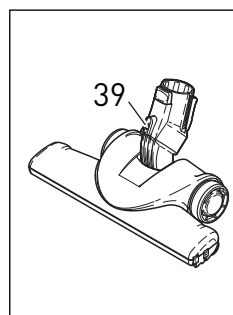


Figure 5

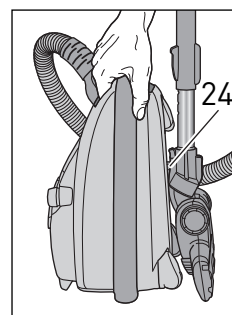


Figure 6

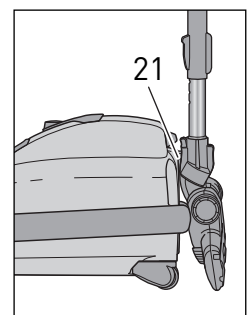


Figure 7



WARNING!

The quality, condition, coating, texture, age and manufacturing technique of all floor surfaces vary. Therefore, vacuums with rotating brushes, including your SEBO, may damage some floor coverings or surfaces. Some types of high-gloss hardwood floors, cushion vinyl, berber carpets, long shag, and delicate or hand-woven carpets are particularly vulnerable to damage by rotating brushes. When possible, consult the materials supplied by your flooring manufacturer for information on proper upkeep and cleaning. **To ensure that your new SEBO vacuum cleaner is compatible with your floor, please test the vacuum cleaner on each type of flooring surface in a small inconspicuous area to determine if any damage occurs. If damage occurs, stop using the vacuum cleaner immediately!**

ADDITIONAL OPERATING INSTRUCTIONS FOR K3 WITH POWER HEAD

Please refer to your power head owner's manual for more information

Starting The Machine and Suction Control - Figures 1, 2, 8, 9, 10a & 10b

Before turning on your canister, make sure that the vacuum handle is in its upright locked position (figure 8).

1. With the canister main power control knob (9) in the OFF position, and the power control slider on the handle (#2, figure 9) in the OFF position, pull the power cord out from the base of the canister (figure 1). The power cord should be unwound from the cable reel at least two thirds of its length. **Note:** do not over-extend the cord.
2. Plug the polarized power cord into a 120 volt wall outlet located near the floor.
3. Press the main power control knob (9) on the base of the canister gently with your foot or hand. The green light (10) will illuminate indicating that the power is on (figure 2).
4. Slide the Power Control Slider (2) to the ON position (the slider will "click" when it is pushed out of the OFF position). It will then slide freely between 0 suction and MAX suction. Set the slider to the suction desired. Release the foot pedal (#41, figure 10a) on the ET-1 or ET-2 power head or, for the ET-H power head, lower the handle (figure 10b).

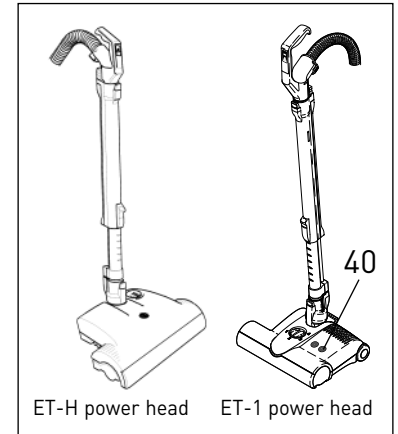


Figure 8

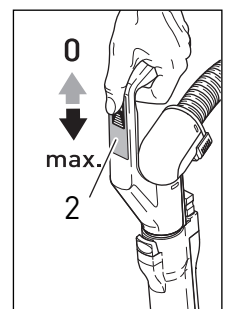


Figure 9

0 = Zero Suction
MAX = Maximum Suction

ON position - Slide the slider down toward 0 suction till it "clicks" out of position.

OFF position - Pull the slider up to 0 suction then continue pulling the slider up until it "clicks" into the OFF position.

Operating The Machine - Figures 10a & 10b

When the power head is on with the handle in the upright locked position (see figure 8 above), the brush roller will not spin.

To release the ET-1 or ET-2 power head from the upright locked position, press down on the foot pedal (#41, figure 10a) and lower the handle into the normal operating position and push the button on the top of the power head (#40, figure 8) to engage the brush roller. The green light on the power head will illuminate.

To release the ET-H power head from the upright locked position, gently place your foot on the power head for leverage and lower the handle into the operating position (figure 10b). The brush roller will then start spinning. The amber indicator light may flicker for a few seconds when you lower the handle - this is normal.

The handle can be lowered to a horizontal position useful for vacuuming under beds.

You may adjust the suction control with the power control slider (2) as you vacuum different surfaces or when using the accessory tools. For optimal cleaning and brushing, operate the machine at the maximum suction power setting and push the power head slowly over the carpet.

When the canister's main power control knob is in the ON position, you may turn the power head off and on with the power control slider (2). To turn the power head off using the power control slider, pull the slider to 0 suction, then continue pulling the slider up until it "clicks" into the OFF position. The green power head light will then shut off (the green light on the canister (10) will remain illuminated until the vacuum is powered off using the main power control knob).

Always turn the power off on both the canister and the power head when changing heads or unplugging the vacuum. Slide the power control slider on the power head to its OFF position, press the power control knob on the base of the canister (9) gently with your foot or hand, then unplug the canister to completely shut down the power when changing heads or storing the vacuum.

To retract the cord, switch the vacuum off, unplug it from the outlet, then gently pull on the cord near the plug recess (22) and the mechanism will automatically rewind. Before rewinding the cable, always switch off and unplug the vacuum. Hold the plug while rewinding the cord onto the cord reel. Avoid letting the plug whip while rewinding.

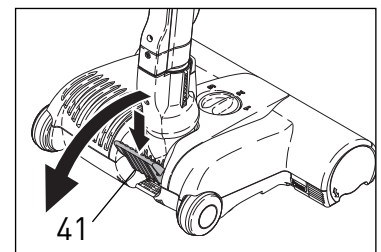


Figure 10a

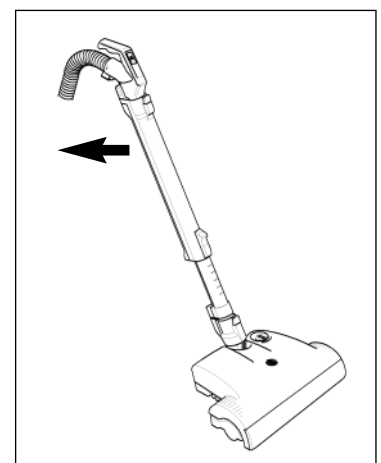


Figure 10b

Using the Telescopic Tube, Hose & Attachments - Figures 11 & 12

The telescopic tube (4) is useful for vacuuming corners and hard-to-reach areas. You may use the telescopic tube without a brush, power head or attachment. To remove a brush or power head, switch off the power control knob (9) and unplug the vacuum. Then, press the tool release button (7) and pull the tube out. The crevice nozzle (20) and dusting brush (28) may be inserted onto the end of the tube. To use the upholstery nozzle (11), fit it onto the end of the crevice nozzle (20). It is not necessary to turn off the vacuum while switching the **standard** attachments (the crevice nozzle, upholstery nozzle or dusting brush). After use, switch off the power, unplug the vacuum and remove attachment. Re-insert the telescopic tube into the power head or brush, turning the tube if needed, until you hear it click into place.

NOTE! K3 users with ET-H, ET-1 or ET-2 power heads, please refer to your power head user's manual for more detailed instructions for connecting your power head.

To use the hose without the telescopic tube, switch off the power and unplug the vacuum. Push the handle release button (3) and pull the HANDLE out of the end of the telescopic tube. Do not try to separate the hose from the handle! Insert the crevice nozzle (20) or dusting brush (28) onto the end of the handle. To use the upholstery nozzle (11), fit it onto the end of the crevice nozzle (20). After use, switch off the power, unplug the vacuum and remove the attachment. Re-insert the handle into the telescopic tube making sure it is seated correctly and snap it into place.

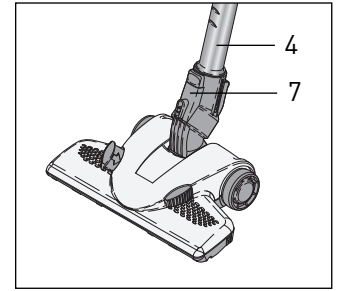


Figure 11

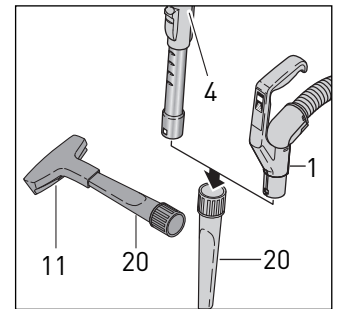


Figure 12

USE AND MAINTENANCE OF BRUSHES AND HEADS

 **Always unplug vacuum from outlet before dismantling any part of machine!**

To remove a brush or power head, switch off the power and unplug the vacuum. Then, press the tool release button (7) and pull the tube out.

NOTE! K3 users with ET-H, ET-1 or ET-2 power heads, please refer to your power head user's manual for more detailed instructions for operating and maintaining your power head.

Premium Parquet nozzle - Figure 13

The parquet nozzle (29) is specially designed for use on hard surfaces. The brush should be cleaned regularly. Remove the parquet nozzle from the telescopic tube to clean. Fibers and hair can be pulled out of the bristles manually, or vacuum the bristles with with the telescopic tube. The brush strips are removable for cleaning and replacement.

Combination nozzle - Figure 14

The Combination nozzle (30) is adjustable for carpet or hard floors. To set for carpet, slide the up arrow button (42) to the right until it clicks into place. The hard floor dusting brush will raise up allowing the head to move over the carpet. To set for hard floors, slide the down arrow button (43) to the left until it clicks into place. The brush will lower to gently sweep your floors. **The slider in Figure 14 is set in the position for hard floors.** The brush should be cleaned regularly. Remove the Combination nozzle from the telescopic tube to clean. Fibers and hair can be pulled out of the bristles manually, or vacuum the bristles with with the telescopic tube. The brush strip is removable for cleaning and replacement.

Turbo Nozzle - Figure 15

The Turbo nozzle (31) has an air-driven rotating brush for gentle brushing of carpets. The Turbo nozzle can be adjusted for high and low pile carpet. To adjust the head for high pile carpet, push the slider button (44) to the right. For low pile carpet, push the slider button (44) to the left. **The slider in Figure 15 is set in the low pile position.** The rotating brush should be cleaned regularly. Remove the Turbo nozzle from the telescopic tube to clean. Remove fibers and hair from the brush manually.

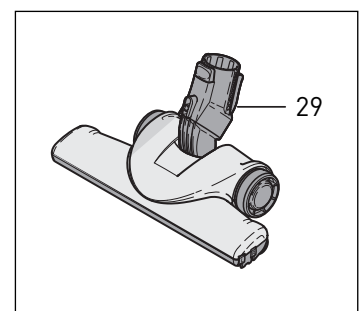


Figure 13

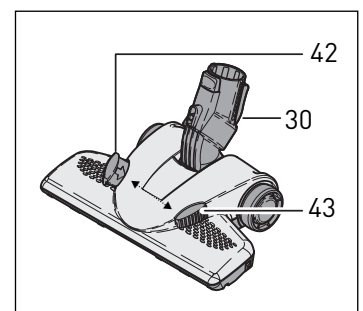


Figure 14

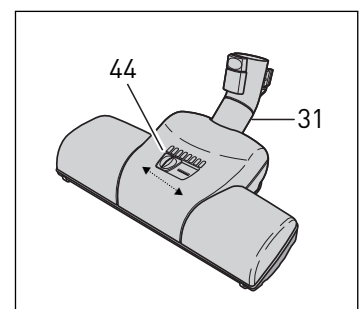


Figure 15

VACUUM MAINTENANCE



Always unplug vacuum from outlet before dismantling any part of machine!

Changing the Filter Bag - Figure 16

To change the filter bag (45), set the canister upright (as shown in figure 13), press the cover release catch (25) and lower the filter bag cover (26). Grasp the green filter bag sealing plate (46), slide the plate from the holder (48) and push the filter bag cap (47) on to seal the bag. Slide the sealing plate (46) of a new bag into the bag holder slots (48) and push it in firmly until it locks into place. Close the cover, making sure it snaps shut completely. You may find it convenient to store the bag cap inside the filter bag housing below the filter bag. Do not re-use the filter bags. Note: the nature of the contents of the filter bag will affect the point at which it needs changing. Fine dust may require an earlier change even though the bag is not full. Fluff or hair allows air to pass through easily, so the filter bag may overflow before the amber "bag full" light illuminates.

The "bag full or clog" light works correctly only at full power. At lower power levels, the "bag full or clog" light may illuminate incorrectly. Check the status of the filter bag regularly at full power.

Changing the Exhaust Filter - Figure 17

The exhaust filter (51) needs to be changed when it becomes extremely dirty or clogged with dust, or after approximately 10 to 20 filter bags have been used. To change the exhaust filter, set the canister flat on the floor as shown in figure 17. Remove the printed cover on top of the machine (14) by lifting the catch (49) in the upholstery nozzle recess (see inset, figure 17). Pull out the filter using the handle (50) and fit the new filter into the same position. The filter handle should point toward the upholstery nozzle when it is folded down. Fit the tabs on the bottom of the cover (14) into the grooves and snap the cover down firmly.

Changing the Micro-Hygiene Filter - Figures 16 & 18

After 10 to 20 bags have been used, change the micro-hygiene filter (52). To remove the micro-hygiene filter, set the canister upright (as shown in figure 16). Press the cover release catch (25) and lower the filter bag cover (26). Remove the filter bag, then remove the cover by sliding it up and out of the grooves (53). Pull the old filter out (52) and slide the new filter into the same position. Replace the filter bag, then re-insert the cover by fitting the tabs into the grooves (53) on both sides and sliding it in and down. Push the cover closed, making sure it snaps shut completely.

K Service Box - 8 Filter Bags, Exhaust Filter and Micro-Hygiene Filter Part #6695AM

Changing the AIRBELT - Figure 19

If damage occurs to the AIRBELT cover, it will need to be replaced. To remove the AIRBELT (15), pry off the clip (55) by inserting the tip of a slot-head screwdriver under the bottom side of the clip. Push downward on the screwdriver until the clip pops off. Grasp the end of the AIRBELT cover and pull - the AIRBELT cover will peel off. The foam bumper (54) remains on the vacuum. To replace the AIRBELT, insert the side ribs of the AIRBELT into the grooves (56). Start at the back, insert rib into one groove (56), and while holding it down, stretch the AIRBELT cover around the foam (54) into the opposite groove (56). Continue around the vacuum. Secure the ends with the clip (55).

SEBO AIRBELT covers are available in a variety of colors and patterns. See your SEBO dealer for available selection.

Note: Never operate the vacuum with incorrectly attached filters or without filters, bag, AIRBELT or filter bag housing cover (26). Do not re-use filter bags. Do not wash and re-use filters.

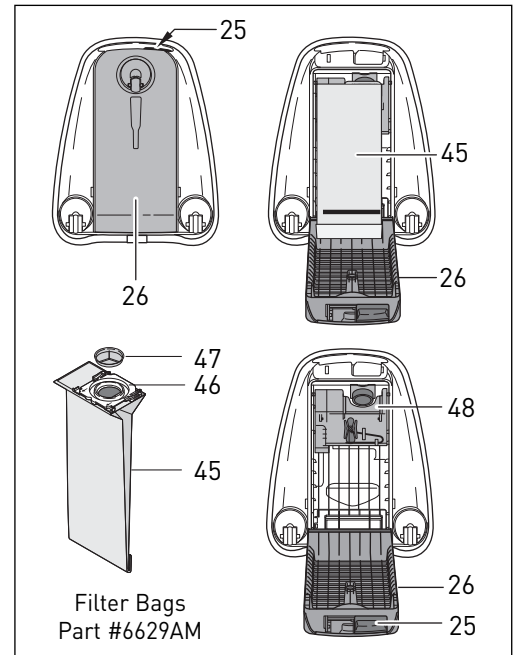


Figure 16

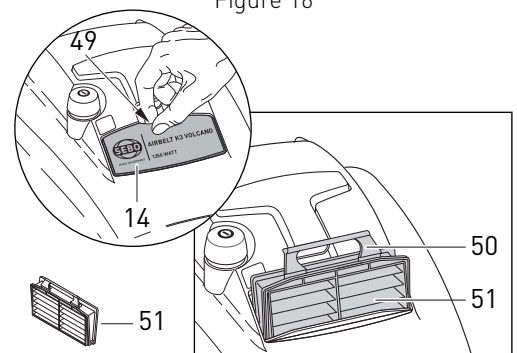


Figure 17

K Filter Set:
Exhaust Filter
and
Micro-Hygiene
Filter
Part #6696AM

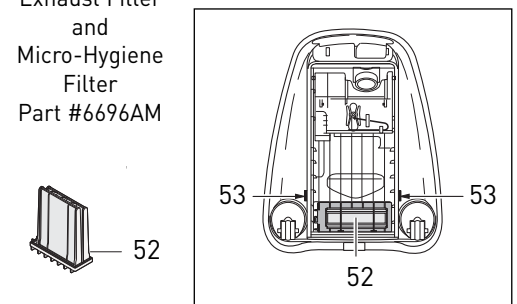


Figure 18

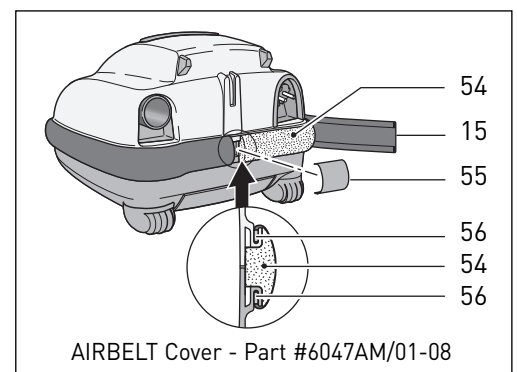


Figure 19

CLOG REMOVAL



Always unplug vacuum from outlet before removing any clogs!

NOTE! K3 users with ET-H, ET-1 or ET-2 power heads, please refer to your power head user's manual for more detailed instructions for removing clogs in your power head.

If the "bag full or clog" warning light (10) remains illuminated after the filter bag has been changed and the filters are in good condition, there is likely a clog in the system.

Clogs in the Head or Brush - Figure 20

Clogs in the swivel neck (57) of a head or brush can be cleared by first pressing the tool release button (7) and removing the brush or head. Check inside the swivel neck channel (56), and clean out pathway.

Clogs in the Telescopic Tube - Figure 20

Remove head from telescopic tube (4) by pushing the tool release button (7) and pulling the tube out. Remove the hose from the top of the telescopic tube by pushing the handle release button (3). A stiff wire or stick can be used to push the clog out of the tube.

Clogs in the Hose - Figures 21, 22 & 23

Check for suction at the end of the hose (19). If you feel reduced suction, the blockage is in the hose. To clear blockages in the hose (13), remove the telescopic tube (4) by pushing the tool release button (7) and pulling the tube out. Hold the hose upright with one hand blocking the top and switch on the machine. If necessary, quickly lift your hand on and off the end of the hose. If that does not clear the clog, you may also clear clogs by reversing the hose. **K3:** After removing the telescopic tube, push the release button (18) on the hose neck (6) and remove the hose from the machine.

K2: After removing the telescopic tube, squeeze the tabs (37) on the retaining ring and pull the hose neck out.

Remove the hose handle (1) from the telescopic tube by pressing the handle release button (2). Insert the handle end of the hose (1) into the suction opening (17). Hold the hose upright with one hand blocking the top and switch on the machine. If necessary, quickly lift your hand on and off the end of the hose.

Note: Do not insert a wire or stick into the hose. Doing so may cause damage to the hose.

Clogs in Entrance to Filter Bag - Figure 21

Remove hose (10) from vacuum cleaner (see figure 21), open the filter bag cover and remove the filter bag. (figure 16, page 9). Clean out entrance to bag (58).

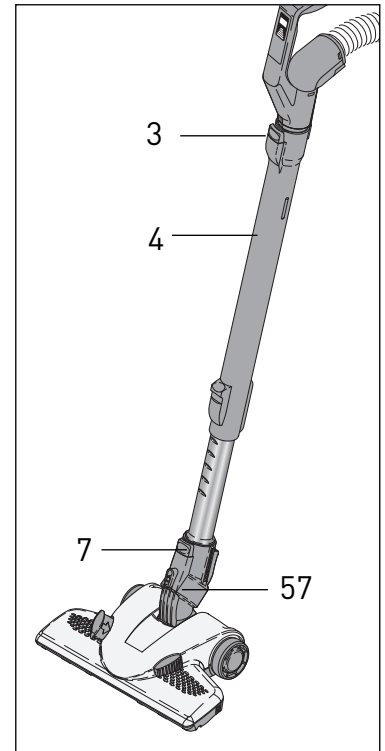
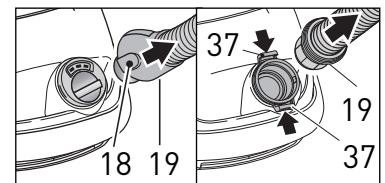


Figure 20



K3

Figure 21

K2

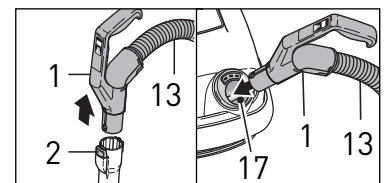


Figure 22

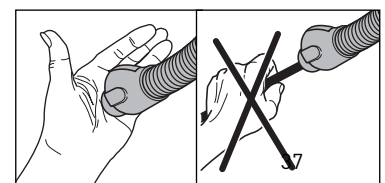


Figure 23

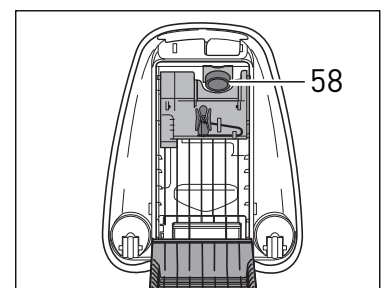


Figure 24

TROUBLE-SHOOTING GUIDE



Always unplug vacuum from outlet before dismantling any part of the machine!

PROBLEM	REASON	SOLUTION
Does not turn on	1. Telescopic tube not inserted properly.	1. See page 7.
	2. Not plugged into working outlet.	2. Use another outlet.
	3. Cable worn.	3. Replace cable.
	4. K3: The power control slider switch is set to "0" ("off" position).	4. K3: Set slider switch to "on" position. See page 9.
Bag full or clog light on Bag full or clog light on & machine shuts off	1. Bag full.	1. Replace filter bag. See page 11.
	2. Clog in hose, telescopic tube, brush or head, or entrance to filter bag.	2. See Clog Removal on page 12. K3 users with clog in power head attachment: refer to clog removal in the ET-H or ET-1 owner 's manual.
	3. Micro-hygiene filter dirty.	3. Replace micro-hygiene filter. See page 11.
	4. Exhaust filter dirty.	4. Replace exhaust filter. See page 11.
Does not pick up	1. Hose/handle assembly not correctly inserted.	1. Reinsert hose/handle assembly making sure that it is lined up properly and is snapped into place. See page 7.
	2. The suction control dial is rotated to no suction setting	2. K2: Rotate suction control dial to yellow setting. See page 8.
	3. Filter bag cover not closed.	3. See below.
Filter bag door won't fully close	1. Filter bag cover not fully closed.	1. Reinsert bag. Lock the cover down firmly.
	2. Bag not inserted properly	2. Reinsert bag. lock the cover down firmly.
	3. Micro-hygiene filter not properly inserted.	3. Remove the filter bag cover (26) and make sure the micro-hygiene filter housing is seated firmly in place (see pg. 11, figure 18).

AIRBELT K2 SCHEMATIC AND PARTS LIST

9679AM K2 - Midnight Blue
 # 9696AM K2 - Hunter Green

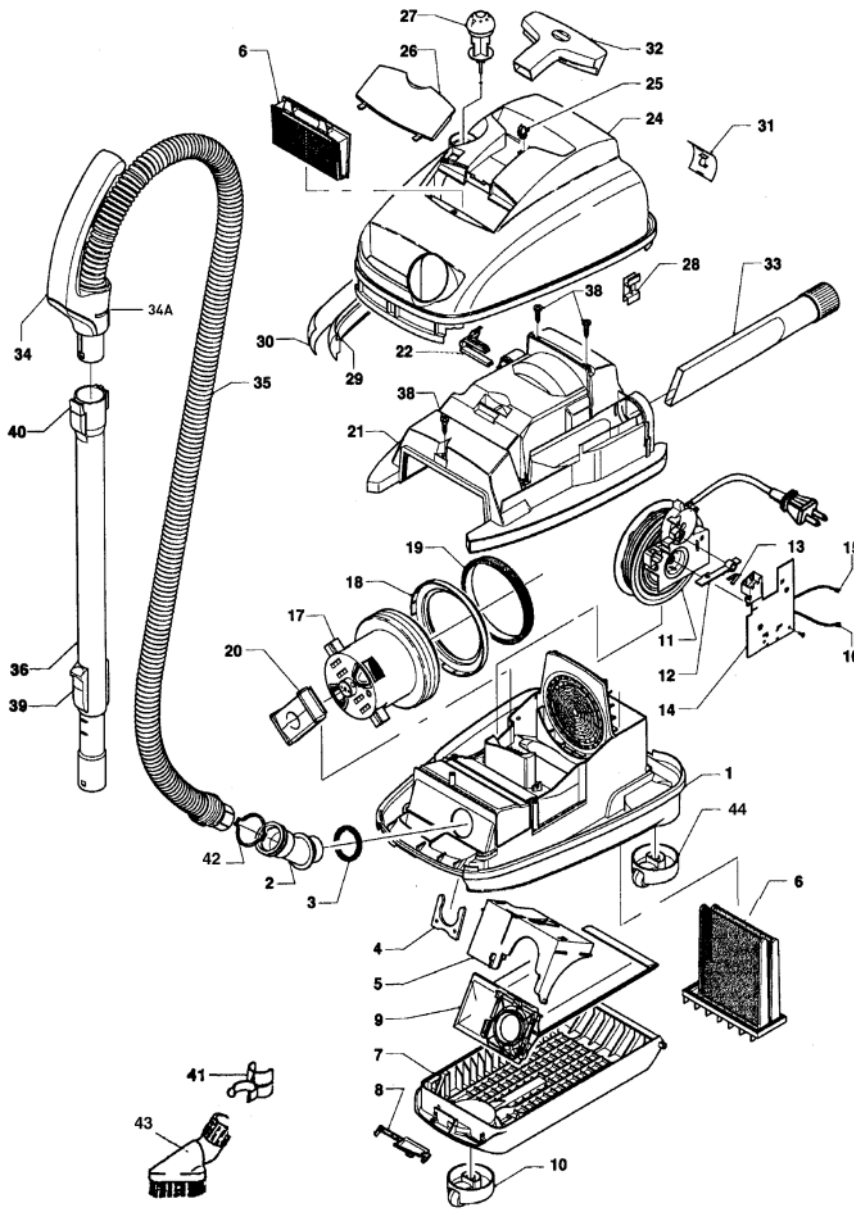
Canister with Handle/Hose

#9696AM K2 Hunter Green Machine

Pos.	Part #	Description
1	6754DG	Bottom casing, complete (incl. castors 6751DG)
2	6675DG	Suction neck
3	6014	Seal
4	6042WS	Spring lock
5	6681HG	Bag holder, complete
6	6696AM	K Microfilter & Exhaust set
7	6756DG	Bag cover, complete (incl. castor 6752DG)
8	6607DG	Cover release
9	6629AM	Filter bag SEB0 K
10	6752DG	Castor cpl. (New castor for bag cover 6756DG)
11	6652	Cable rewind
12	6621	Switch lever
13	1739	Leaf spring
14	6641ER	Electronic controller K2 w/switch
15	6637	Internal cable - black
16	6638	Internal cable - white
17	6631ER	Vac motor, 120V
18	6634	Fan ring
19	6635	Seal
20	6636	Motor mounting
21	6679DG	Motor cover
22	6622DG	Plug surround
24	6680G1	Top casing K2 - hunter green
25	6625DG	Release button
26	6427K2	Exhaust filter cover - hunter green
27	6613LG	On/Off knob - gray/hunter green
28	6086HG	Casing clip
29	6623UL	Foam bumper
30	6047AM/08	AIRBELT textile-citrus (incl. pos. 31)
31	6048DG	AIRBELT clip
32	6627DG	Upholstery nozzle
33	1092DG	Crevice nozzle
34	6300DG	Handle grip K2, cpl. (incl. pos. 34A)
34A	6303DG	Retaining ring - dark gray
35	6657AM	Handle & 7 ft. hose with end couplings (incl. pos. 34 + 34A)
36	6271DG	Telescoping tube K2 - dark gray
37	7260DG	Combination nozzle
38	0105	Screw 3.9 x 19
39	6421DG	Slide button, cpl.
40	6420DG	Release button
41	6694DG	Clip for attachments
42	6612DG	Retaining ring
43	1329DG	Dusting brush
44	6751DG	Castor cpl. (New Style for bottom casing 6754DG)
45	6780ER	Turbo nozzle
46	7200DG	Premium parquet nozzle

#9679AM K2 Midnight Blue Machine Exceptions

24	6680DB	Top Casing, K2 - midnight blue
26	6424AM	Exhaust filter cover - midnight blue
27	6613GW	On/Off knob - gray/white
30	6047AM/01	AIRBELT textile - dark gray (incl. pos. 31)



Turbo Nozzle standard with K2 Hunter Green



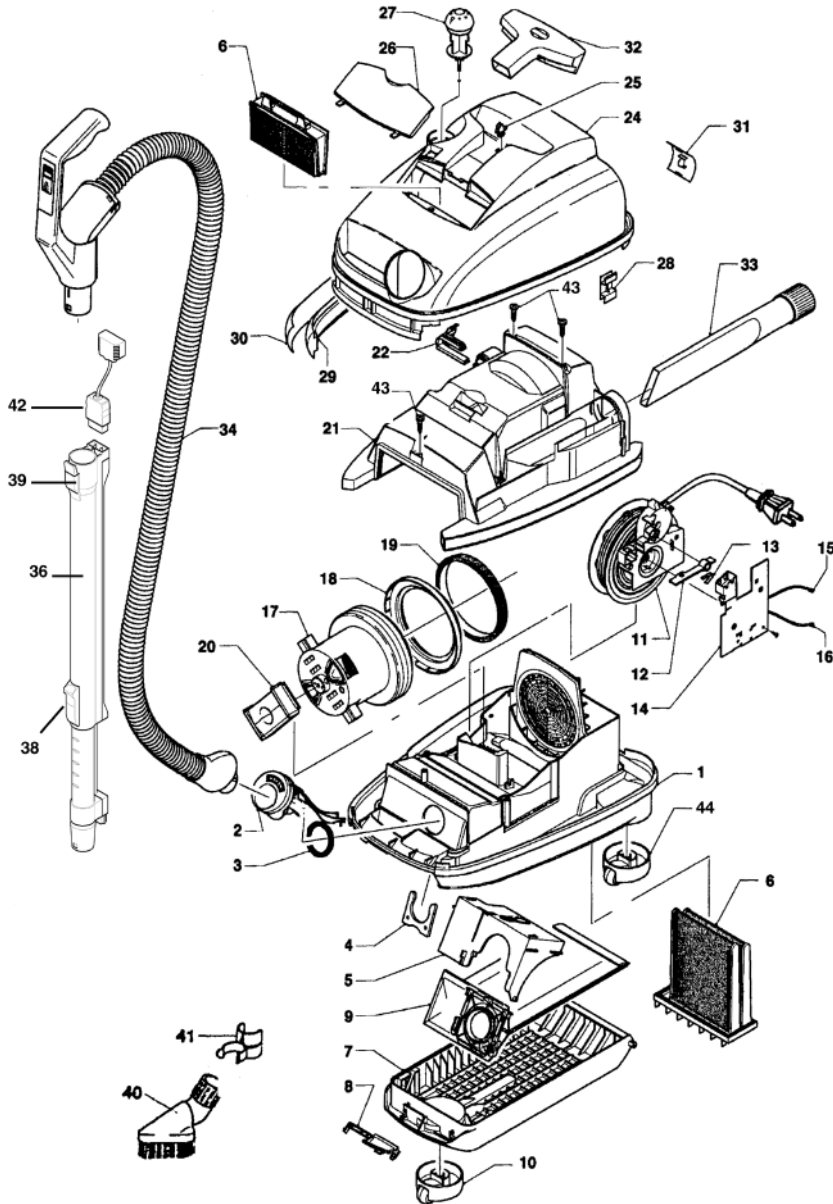
Premium Parquet Nozzle standard with K2 Hunter Green



Combination Nozzle standard with K2 Midnight Blue

AIRBELT K3 SCHEMATIC AND PARTS LIST

#9681AM K3 - Red
 #9684AM K3 - Volcano
 #9698AM K3 - Onyx



Premium Parquet Nozzle
 standard with
 K3 Red, Volcano and Onyx

Canister with Handle/Hose

#9681AM K3 Red Machine

Pos.	Part #	Description
1	6754DG	Bottom casing (incl. castors 6751DG)
2	6677DG	Suction neck
3	6014	Seal
4	6042WS	Spring lock
5	6681HG	Bag holder, cpl.
6	6696AM	K Microfilter & Exhaust set
7	6756DG	Bag cover, complete (incl. castor 6752DG)
8	6607DG	Cover release
9	6629AM	Filter bag SEB0 K
10	6752DG	Castor, complete
11	6652	Cable rewind
12	6621	Switch lever
13	1739	Leaf spring
14	6645ER	Electronic controller K3 w/switch
15	6637	Internal cable - black
16	6638	Internal cable - white
17	6631ER	Vac motor, 120V
18	6634	Fan ring
19	6635	Seal
20	6636	Motor mounting
21	6679DG	Motor cover
22	6622DG	Plug surround
24	6680DR	Top casing K - red
25	6625DG	Release button
26	6404K3	Exhaust filter cover - red
27	6666GW	On/Off knob - gray/white
28	6086HG	Casing clip
29	6623UL	Foam bumper
30	6047AM/01	AIRBELT textile - dark gray (incl. pos. 31)
31	6048DG	AIRBELT clip
32	6627DG	Upholstery nozzle
33	1092DG	Crevice nozzle
34	6349AM	Handle with hose K3, complete
36	6270DG	Telescoping tube K3
37	7200DG	Premium parquet nozzle
38	6421DG	Slide button, complete
39	6420DG	Release button, complete
40	1329DG	Dusting Brush
41	6694DG	Clip for attachments
42	6369DG	Mains cable - dark gray
43	0105	Screw 3.9 x 19
44	6751DG	Castor, complete

#9684AM K3 Volcano Machine Exceptions

24	6680SR	Top Casing, K3 - volcano
26	6439AM	Exhaust filter cover - volcano
27	6613VO	On/Off knob - gray/volcano
30	6047AM/03	AIRBELT textile - volcano

#9698AM K3 Onyx Machine Exceptions

24	6680SW	Top Casing, K3 - black
26	6622AM	Exhaust filter cover - black
30	6047AM/07	AIRBELT textile - silver/black (incl. pos. 31)

SEBO VACUUM CLEANER WARRANTY

Five Years Non-Wear Parts - Five Years Motor - One Year Labor

1. Your authorized SEBO dealer or SEBO will provide the original product purchaser with replacement of Non-Wear Parts which fail due to a material or workmanship defect for a period of five (5) years from the original date of purchase of new product. SEBO America will provide a five (5) year warranty on suction motors and brush drive motors.
2. Your authorized SEBO dealer or SEBO will repair (or will cover labor charges associated with repair) a defective SEBO vacuum cleaner at no cost to the original purchaser, within one (1) year of original purchase of new product.
3. SEBO America or an authorized SEBO dealer must complete all warranty repairs.
4. To locate an authorized SEBO dealer in your area, or to register a warranty claim in the **United States of America, please visit our website at www.sebo.us.**
5. To locate an authorized SEBO dealer in your area, or to register a warranty claim in **Canada, please call Floor Care Equipment, Ltd. at (403) 250-5005.**
6. The warranties provided for above apply exclusively to SEBO Vacuum Cleaners which are used residentially. No warranty is provided for SEBO vacuum cleaners used commercially.
7. The Wear Parts excluded from warranty coverage include filter bags, micro-hygiene filters, exhaust filters, the cable (external cord), the attachment hose, the brush rollers, the front bottom plate, the rear bottom plate, the telescopic tube, the crevice nozzle, the upholstery nozzle, the dusting brush and all of the optional attachments. (See "Optional Attachments" on page 7 of this manual).
8. This warranty applies only while your SEBO Vacuum Cleaner is physically located within the United States of America and its territories or Canada.
9. The purchase receipt showing the date, price, and item of purchase is the initial document of proof of purchase and determines the validity of warranty. To be certain that your warranty claim can be processed as quickly and efficiently as possible, please retain your original purchase receipt and mail in the warranty card provided with your new SEBO vacuum cleaner. You may also register on our website at www.sebo.us.
10. This warranty gives you specific legal rights. You may also have other legal rights, which vary from state/province to state/province.
11. SEBO America will not process nor will it accept responsibility for warranty claims for machines purchased from dealers located in Canada. Floor Care Equipment, Ltd. will not process nor will it accept responsibility for warranty claims for machines purchased from dealers located in the United States.

EXCLUSIVE REMEDY: The remedies provided under the terms of this Warranty are the purchaser's exclusive remedies and are in lieu of any other remedies otherwise available.

THE WARRANTY DOES NOT COVER:

- Used or secondhand products.
- Products outside of the warranty period.
- Items not manufactured by SEBO.
- Normal maintenance service.
- Equipment damaged by improper use, accident, other casualty or negligence.
- Machines equipped with nonauthorized attachments or modifications.
- Machines on which the serial number has been altered or removed.

LIMITATIONS AND EXCLUSIONS:

SEBO MAKES NO OTHER REPRESENTATIONS OR WARRANTIES, EXPRESSED OR IMPLIED AND SPECIFICALLY EXCLUDES THE IMPLIED WARRANTIES OF MERCHANTABILITY AND FITNESS FOR A PARTICULAR PURPOSE.

SEBO WILL NOT BE LIABLE FOR INCIDENTAL OR CONSEQUENTIAL DAMAGES OF ANY KIND OR NATURE.

THIS DISCLAIMER OF IMPLIED WARRANTIES SHALL NOT APPLY TO THE EXTENT SAID DISCLAIMER IS NOT ALLOWED BY APPLICABLE STATE/PROVINCIAL LAW.

To contact SEBO in the United States of America:

SEBO America, LLC
 Telephone: (303) 792-9181
 Fax: (303) 792-9196
 Website: www.sebo.us

To contact SEBO in Canada:

Floor Care Equipment, Ltd.
 Telephone: (403) 250-5005
 Fax: (403) 250-5057
 Website: www.sebocanada.ca



MADE IN GERMANY