



# MIDDLEBURY™ Owner's Manual

## READ AND SAVE THESE INSTRUCTIONS!

Safety and the proper operation of your Casablanca fan both require a thorough knowledge of the product and proper installation; therefore, before attempting to install and operate your Casablanca fan, read this owner's manual completely and carefully. Retain this manual for future reference.

**CAUTION:** To avoid possible electrical shock, make certain that electricity is turned off at the circuit breaker or fuse box before attempting any installation procedure.

## CONTENTS

INTRODUCTION	
Before You Start .....	2
Safe Use .....	2
MOUNTING RECOMMENDATIONS	
General Guidelines .....	3
Sloped Ceiling Installations .....	3
FAN INSTALLATION	
Getting Started .....	4
Crossbar Mounting Bracket Installation .....	4
Lag Screw Installation .....	5
Canopy Installation .....	5
Fan Preparation .....	6
Blade Installation .....	7
Hanging the Fan .....	8
Canopy Electrical Connections .....	8
Canopy Hatch Installation .....	8
Light Fixture Installation .....	9
VERSA•TOUCH2™ CONTROL INSTALLATION	
Control Bracket Installation .....	10
Changing Transmitter Frequency Setting .....	11
Remote Operation .....	11
TROUBLESHOOTING TIPS .....	12
CARE RECOMMENDATIONS .....	13
AUTHORIZED SERVICE CENTERS .....	14
PRODUCT SPECIFICATIONS .....	16

## INTRODUCTION BEFORE YOU START

- **CAUTION: RISK OF ELECTRICAL SHOCK!** All wiring must be performed in accordance with national and local electrical codes. If you are unfamiliar with the wiring codes, you should use a qualified electrician. To avoid overheating and possible damage to other equipment, do not install control to a receptacle, fluorescent light fixture, motor operated appliance, or transformer-supplied appliance.
- This fan is designed to be installed on an existing electrical outlet box. The outlet box must be UL Listed for ceiling fan installations. If it is not, a new box must be installed. Casablanca extension poles are available for sloped or high ceiling installations.
- This ceiling fan requires a grounded electrical supply of 120 VAC, 60 Hz and a minimum 15 amp circuit. The maximum current requirement for the fan with light fixture is 2.85 amps. The fan uses about 1 amp or 100 watts. Maximum light current is about 1.85 amps or 220 watts of lighting.
- Where wire nuts are employed, be sure all bare wires are within the connectors. When installing the canopy hatch, make sure all wires are within the canopy and that no wires are being pinched.

### Unpacking

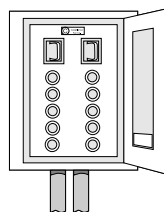
Before assembling and installing your ceiling fan, remove all parts from the shipping cartons and check them against the parts listed in the Parts Guide. Before discarding packaging materials, be certain that all parts have been removed.

**For best performance and for your warranty to be valid,  
use only genuine Casablanca blades, light fixtures, and accessories.**

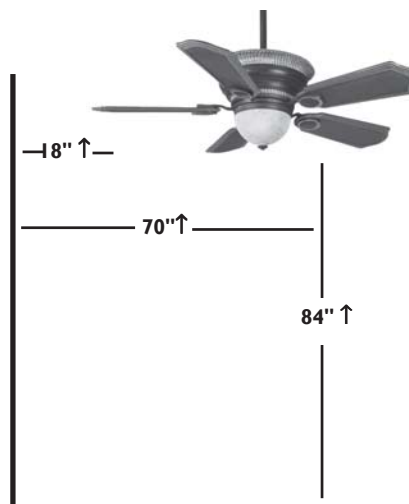
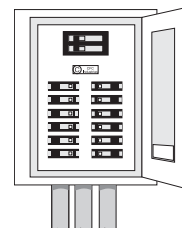
## SAFE USE

- The blades in each pack are matched for equal weight to assure smooth fan operation. If more than one fan is being installed, be careful not to mix blades from different cartons.
- Inspect the contents of your carton for possible shipping or handling damage. If parts are missing or damaged, call 1-888-227-2178.
- It is always a good idea to have an assistant to help with the installation.
- When cleaning, painting, or working near your fan, be very careful of the fan and blades. Always turn the power OFF to the ceiling fan before working on it or replacing lightbulbs.
- Never insert anything into the path of the fan blades while the fan is in operation.
- Never install a fan over a pool or spa.
- Never operate a fan that has been damaged in any way. Contact Casablanca Fan Company by calling 1-888-227-2178, or contact your local authorized Casablanca dealer for assistance in obtaining service.

**Fuse Box**  
(Remove fuse for the circuit you will be working on)



**Circuit Breaker**  
(Trip breaker for the circuit you will be working on)





# MOUNTING RECOMMENDATIONS

## GENERAL GUIDELINES

Before mounting your Casablanca fan, read the following helpful recommendations. The location of the fan, air circulation, and fan size are all important factors to consider before installation.

### Location

Ceiling fans have practical uses in almost every room in your home. We suggest you follow these mounting recommendations as you decide where to install your Casablanca fan.

- For safety reasons, the fan blades must be a minimum of 7' above the floor.
- Do not locate the fan in a doorway or above a swinging door.
- In bedrooms, fans work best when mounted above the foot of the bed.
- Over pool tables, be sure to provide plenty of clearance to avoid damage from pool cues.
- In kitchens be sure to allow for open cupboard doors to clear the fan blades.
- Do not install a fan close to or over a pool or spa. High humidity combined with corrosive gases will destroy the finish and warp the blades.

### Fan Size

Variable fan speed capability permits the use of a full-size 52" fan even in smaller rooms. For very large rooms, two fans may be needed.

## SLOPED CEILING INSTALLATIONS

SUGGESTED EXTENSION POLE LENGTHS	
Ceiling Height	Pole Length
8' 0"	standard
8' 6"	standard
9' 0"	6"
9' 6"	12"
10' 0"	12"
11' 0"	18"
12' 0"	24"
13' 0"	36"
14' 0"	48"

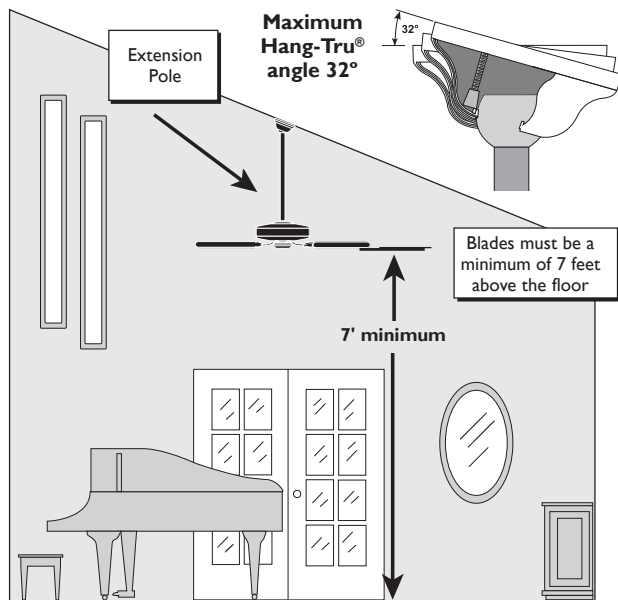
### When to Use Extension Poles

For optimum performance and appearance, an extension pole should be used with your Casablanca fan when installing on high (cathedral) ceilings or sloped ceilings. Casablanca offers standard poles in increments of 6" up to 5'. Custom poles are available in lengths up to 9'9". See your Authorized Casablanca Dealer for details.

**NOTE:** Fan may wobble or vibrate if pole length is not long enough and inside blade is too close to downslope or side wall. Extending pole length will usually solve problem.

### Calculation of Ceiling Angle

Use the tear-off *Ceiling Angle Template* card inserted in this manual. It provides you with a simple "go" or "no-go" for installing your fan on a sloped ceiling.



- EXAMPLE 1** This slope is less than 32°. It is OK to install your fan.
- EXAMPLE 2** This slope is 32°. This is the maximum slope that will allow the fan to hang straight down. It is OK to install your fan.
- EXAMPLE 3** This slope is more than 32°. Your fan will not hang straight down, an adaptor is necessary. Contact your local Authorized Casablanca Dealer in regards to purchasing a "Sloped Ceiling Adaptor."

## FAN INSTALLATION GETTING STARTED

### Installing a New Ceiling Fixture Outlet Box

If you do not have an existing fixture located where you wish to place your Casablanca fan, an approved ceiling fixture outlet box must be installed and wired.

#### WARNING!

To reduce the risk of fire, electrical shock, or personal injury, mount to outlet box marked "Acceptable for Ceiling Fan Support" using the mounting hardware provided with the outlet box.

### Using Existing Ceiling Fixture Outlet Box

After turning the power OFF at its source (either the circuit breaker or fuse box), lower the old fixture and disconnect the wiring. Check the ceiling fixture outlet box to be sure it is marked "Approved for Ceiling Fan Mounting." If it is not, a new box must be installed.

---

Note: The weight of this fan is 36 pounds.

---

## CROSSBAR MOUNTING BRACKET INSTALLATION

### CEILING HARDWARE (not to scale)



Crossbar Mounting Bracket



**Pack A:**  
Lag Screw and Washer (1)  
1" x 8-32 Roundhead Screws and Washers (2)



Wire Nut (4)

---

**Note:** After removing the old fixture, check the outlet box to insure that it is supported by a joist or beam across its upper surface. If not, a 2x4 stud must be installed.

---

**Step 1a.** Remove the knockout plug in the center of the outlet box or drill a 1/2-inch hole for the lag screw to pass through. Then drill a 1/4-inch guide hole into the joist or beam to a depth of 3 inches.

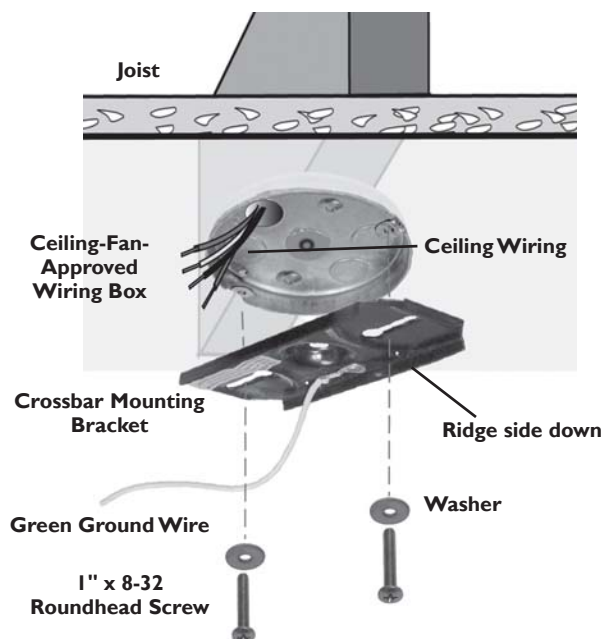
**Step 1b.** Route the outlet box wires through the keyhole slot of the crossbar mounting bracket as shown. Attach the crossbar mounting bracket to the outlet box with the screws provided in Pack A, making sure the outlet box wires are not pinched by the washer.

#### CAUTION:

To reduce the risk of personal injury, use only the mounting hardware provided with the approved outlet box to install the crossbar mounting bracket.

#### WARNING!

Support directly to building structure only.

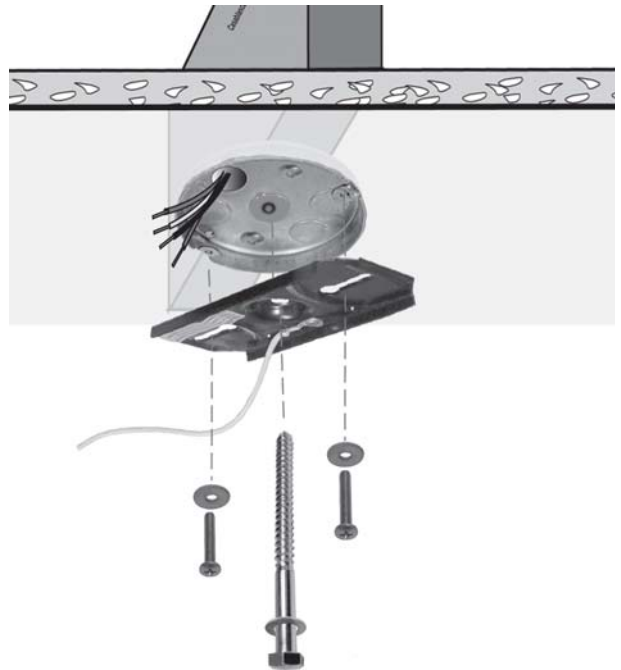




**LAG SCREW INSTALLATION**

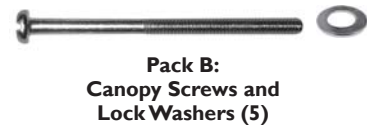
**NOTE:** We recommend that the ceiling box be of sufficient capacity to support the weight of the fan and light fixture under any conditions. If in doubt whether, consult a qualified electrician.

**Step 2.** With the large washer attached, pass the lag screw (Pack A) through the center hole of the crossbar mounting bracket and screw into the guide hole. Tighten until the outlet box is mounted firmly to the beam. This box must be secured to the ceiling firmly.



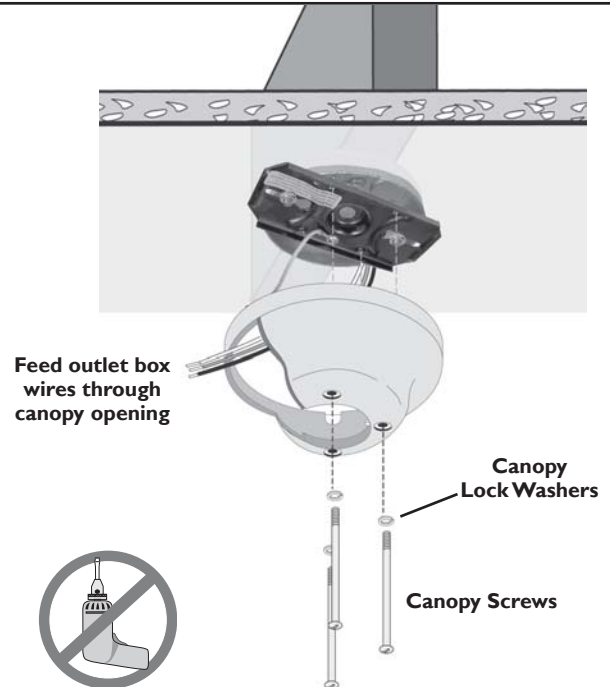
**CANOPY INSTALLATION**

**CANOPY HARDWARE** (not to scale)



**Step 3.** Attach the canopy to the crossbar mounting bracket with three of the 8-32 x 2 1/2" long canopy screws and lock washers (Pack B) provided with your Casablanca fan. Tighten using the provided screwdriver until snug against the ceiling.

**NOTE:** On sloped ceilings, align the canopy opening with the top or peak of the room.



## FAN PREPARATION

### PERMA•LOCK™ HARDWARE (not to scale)



Uplight Lightbulbs S-11 25-watts (4)



Allen Wrench



3" Perma•Lock™ Downrod and Ball Assembly

### IMPORTANT SAFETY INFORMATION:

Before starting the installation of your ceiling fan, install the threaded downrod into the motor coupling and lock the assembly.

Prepare for fan installation as follows:

**Step 4a.** Remove the paper warning shield from the motor.

**Step 4b.** Using the provided Allen wrench (attached to the paper motor warning shield), loosen the Allen set screw.

**Step 4c.** Route the wires through the Perma•Lock™ downrod and ball assembly. Insert the downrod into the motor coupling and turn it clockwise until it stops turning, ensuring that the pole has bottomed out.

**TIP:** The downrod has a tapered thread that is designed to lock completely when installed correctly.

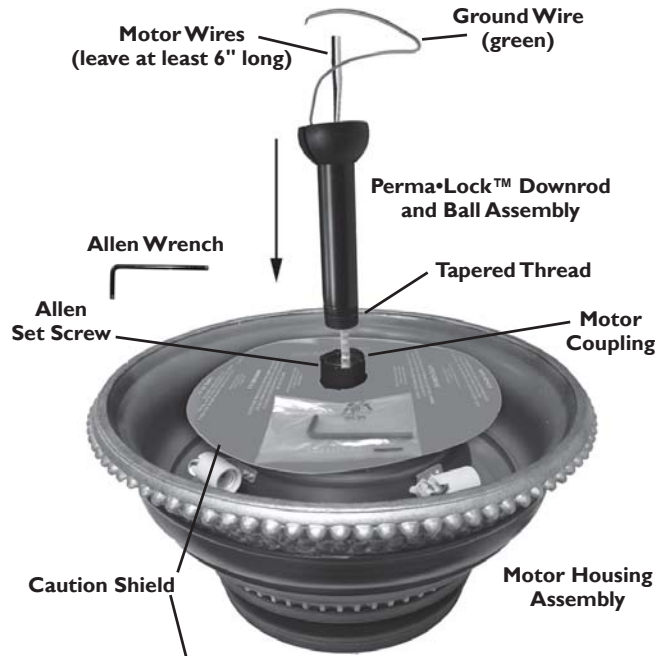
**Step 4d.** Tighten the set screw with the Allen wrench to ensure safe operation of your fan. If it is tight enough, you should not be able to turn the downrod counterclockwise with your hands. If in doubt, tighten the set screw with the Allen wrench until you cannot turn it any further.

**CAUTION:** Failure to fully lock in the downrod before securely tightening the Allen set screw may cause the fan to separate from the downrod and fall during normal operation.

### Install Incandescent Lightbulbs

**Step 5.** Screw in four 25-watt incandescent lightbulbs as shown.

**NOTE:** When replacing lightbulbs, be sure to use only 25-watt maximum.





**BLADE INSTALLATION**

**BLADE HARDWARE** (not to scale)



**Blade Medallions (5)**



**Blades (5)**



**Blade Irons (5)**



**Pack C:  
Blade Screws (21)**



**Pack D:  
Blade Iron Screws (11)**

**Attach Blade Irons**

**Step 6.** Attach blade to bladeholder by first pressing the blade badge into the blade, then installing the bladeholder using four blade screws provided in Pack C. Using the provided screwdriver, tighten securely *by hand only*.

Repeat for each blade assembly.



**Blade Installation**

**Step 7a.** Remove the blade access plate and screws as shown. Do not discard the two screws. They will be used to reinstall the plate later.

**Step 7b.** Attach the blade/bladeholder assembly to the motor by using two bladeholder screws from Pack D for each blade. Use the opening created by removing the blade access plate to align the holes in the bladeholder with the holes in the motor. Install the screws one by one using the provided screwdriver. Tighten securely *by hand only*. Repeat for each blade/bladeholder assembly.

**Step 7c** Re-install the access plate.



**TIP:** For balancing purposes, loosely install all five blades to the motor before tightening the blade screws securely.

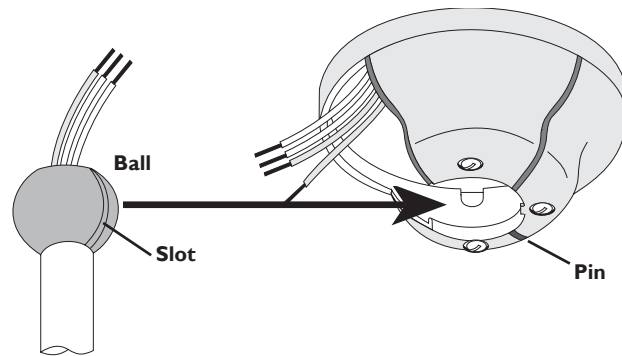
**CAUTION:**  
Blade screws must be tightened securely before operating the fan.



## HANGING THE FAN

**Step 8a.** To hang the fan body in the canopy, hold the fan body firmly and insert the ball into the canopy opening. Check that no wires are pinched. Rotate the fan body until the slot in the ball fits into the pin opposite the canopy opening.

**Step 8b.** Trim excess motor wires, leaving at least 6 inches above the downrod. Strip  $\frac{1}{2}$ -inch insulation from the end of each wire using a wire stripper (available at your local hardware store).



## CANOPY ELECTRICAL CONNECTIONS

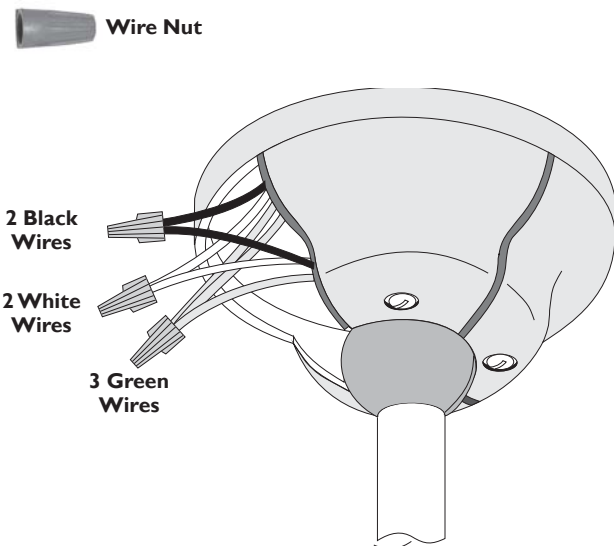
**Step 9.** Attach the fan wires to the ceiling fixture outlet box wiring by placing the bare ends of the wires side by side and then securing with a wire nut. Test that the connection is secure by pulling on the wire nut. Connect in this order:

- **GREEN** leads from mounting plate and downrod assembly of fan to **GROUND** conductor of power source. Secure with wire nut.
- **WHITE** wire from fan to white **NEUTRAL** wire in ceiling fixture outlet box. Secure with wire nut.
- **BLACK** power wire from fan to black **POWER** wire in ceiling outlet box. Secure with wire nut

---

**NOTE:** If the color of your household's wires differ from that described, consult an electrician.

---



## CANOPY HATCH INSTALLATION

**Step 10a.** Tuck the wires into the canopy with the wire nuts pointed upwards, so that the **WHITE** and **BLACK** wires are on opposite sides of the canopy and all wires are clear of the canopy opening.

**Step 10b.** Install the canopy hatch with the last canopy screw and lock washer using the provided screwdriver. To do this, tilt the fan body away from the hatch opening. Tighten the screws firmly.

**Step 10c.** Straighten the fan, then check to ensure that there is no movement between the canopy and the ceiling or the Perma•Lock™ downrod and the ball assembly.







**LIGHT FIXTURE INSTALLATION**

**SWITCH HOUSING HARDWARE** (not to scale)



Light Assembly



Pack E:  
Light Assembly Screws (3)



Downlight Lightbulbs  
A-15 60-watts



Glass Shade

**Light Assembly Installation**

**Step 11a.** Using the light assembly screws in Pack E and the provided screwdriver, insert three screws into the light assembly adapter plate, as shown and tighten *by hand only*.



**Step 11b.** Connect the light assembly connector to the motor connector.

**Step 11c.** Carefully tuck in the wires and align the keyhole slots in the light assembly with the three screws in the adapter plate. Turn counterclockwise to align the keyhole slots with the three screws.

**Step 11d.** Securely tighten all three screws *by hand only* using the provided screwdriver.



**Install Incandescent Lightbulbs**

**Step 12.** Screw in two 60-watt type A15 medium base lightbulbs.

**NOTE:** When replacing lightbulbs, be sure to use only 60-watt maximum.

**Glass Installation**

**Step 13a.** Remove the finial from the light assembly.

**Step 13b.** Insert the threaded rod from the light assembly through the hole in the glass shade as shown.

**Step 13c.** Twist the finial onto the threaded rod. Tighten securely.



**CAUTION:**  
Overtightening the finial can cause the glass to break.



## VERSA•TOUCH2™ CONTROL INSTALLATION

VERSA•TOUCH2™ HARDWARE (not to scale)



W-73 Control



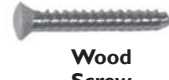
W-73 Control Holder



12v Battery



Drywall Anchor 6-32 (2)



Wood Screw 1" (2)



Screw 6-32 X 3/8" (2)

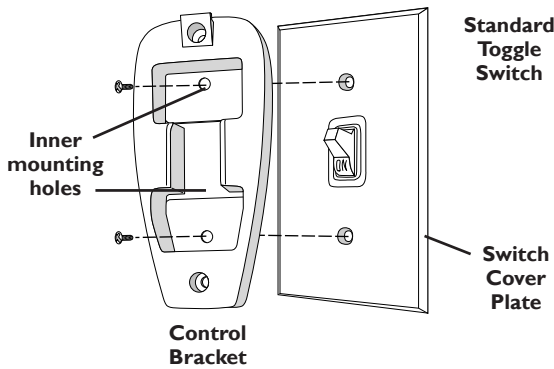


Screw 6-32 X 1" (2)

## CONTROL BRACKET INSTALLATION

**SAFETY FIRST:** To reduce the risk of electrical shock, this fan must be installed with an isolating wall control/switch. **CAUTION!** Do not use with wall dimmer.

Step 14. Follow instructions for the type of transmitter control bracket you will be using.

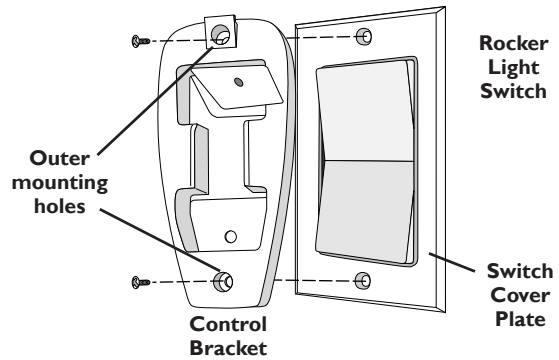


### Standard Light Switch

**Step A.** Remove the two screws holding the switch cover plate. Do not remove the cover plate.

**Step B.** Orient the control bracket as shown and line up the two inner mounting holes with those on the switch.

**Step C.** Insert and tighten the screws using the provided screwdriver.



### Rocker Light Switch

**Step A.** Break off the two tabs by pushing outward.

**Step B.** Remove the two screws holding the switch cover plate. Do not remove the cover plate.

**Step C.** Orient the control bracket as shown and line up the two inner mounting holes with those on the switch.

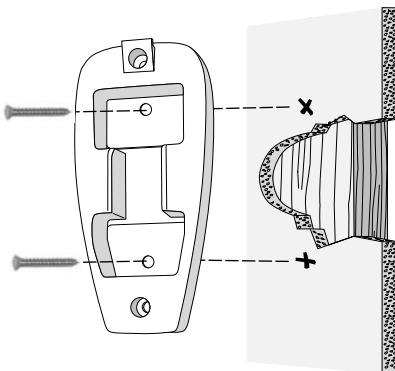
**Step D.** Insert and tighten the screws using the provided screwdriver.

### Wall Installation

**Step A.** Locate a 2x4 wall stud in a convenient location.

**Step B.** Orient the control bracket as shown over the 2x4 stud.

**Step C.** Insert the 1" wood screws in either the inner or outer mounting holes and tighten using the provided screwdriver.



**NOTE:** The wall anchors and 6-32 x 1" screws may be used in situations where mounting to a stud is not possible. Use the inner mounting holes. After securing the anchor, discard the anchor's pointed screws and use the 6-32 decor ovalhead screws supplied.



Wood Screw 1"

Decor Ovalhead Screw 6-32 X 1"



## REMOTE OPERATION

### Fan Control

To start the fan. Press the selected speed button to run the fan at the desired speed.

**LOW**=Low speed   **MED**=Medium speed   **HIGH**=High speed

To turn off the fan, press the **FAN OFF** button.

### Airflow Direction

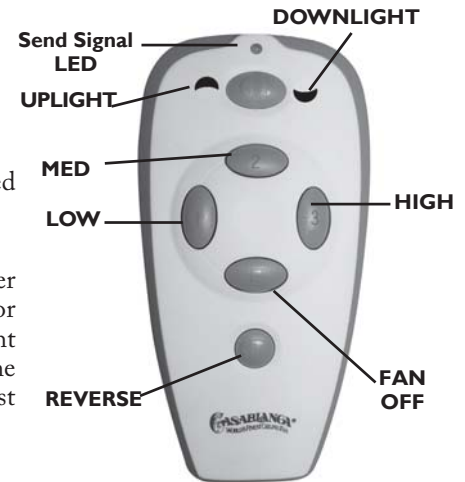
To reverse the airflow, press the **REVERSE** button. **REVERSE** operates at any speed whether the fan is on or off. The fan returns to its set speed after reversing.

### Light Control

Turn the light on or off independently from the fan by pressing the **LIGHT** rocker switch. (Press the left side for the uplight, right side for the downlight, and the middle for both.) If you press the button for more than 0.7 seconds, it becomes a dimmer. The light varies from “bright” to “dim” over approximately 8 seconds. If you continue to hold the **LIGHT** button, this sequence will reverse when the light reaches its brightest or dimmest level. Release the button when the desired level is reached.

### Auto Resume

Quick (pressing less than 0.7 seconds) on/off operation of the **LIGHT** button maintains the desired brightness level set previously.



## CHANGING TRANSMITTER FREQUENCY SETTING

**Note:** All fans leave the factory set to “00000.”

You will only have to change the dip switch settings in the remote if you are using more than one fan in the same area and want to control them separately.

**Step 1.** At the circuit breaker or fuse box, turn the power off for the fan you want to change.

**Step 2.** Open the battery door of the Versa•Touch control and remove the batteries.

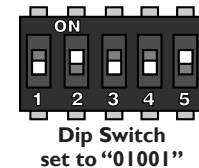
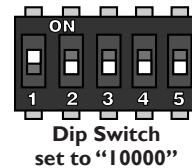
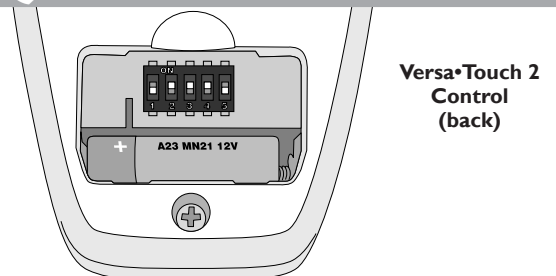
**Step 3.** Change the dip switch settings, assuring that they are different from the previously installed Versa•Touch fan.

**Step 4.** Reinstall the batteries and the battery door on the control.

**Step 5.** At the circuit breaker or fuse box, turn the power back on for the fan whose frequency you are changing.

**Step 6.** Within 20 seconds of restoring power, push the **HIGH**, **MED**, and **LOW** buttons (in that order).

**Note:** You may want to label your controls to assure you do not mix them up.



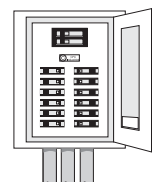
**WARNING!**  
Do not turn the power off at the circuit breaker, then back on, for the previously installed Versa•Touch2 fan(s), as you may inadvertently change the frequency settings for it as well.

### If the fan is not functioning after installation:

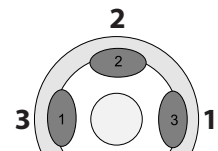
**Step 1.** Check to make sure the batteries are installed correctly in the control.

**Step 2.** Turn the power off to the fan (from the circuit breaker) for at least 5 seconds.

**Step 3.** Turn the power back on (at the circuit breaker) and push the **HIGH**, **MED**, and **LOW** buttons—in that order—within 20 seconds. The fan should now function properly.



Circuit Breaker or Fuse Box



Press in this order to set new frequency:  
**1. HIGH 2. MED 3. LOW**

## TROUBLESHOOTING TIPS

Please refer to this troubleshooting guide before requesting service or contacting your dealer for assistance.

<b>PROBLEM</b>	<b>POSSIBLE REMEDIES</b>
Fan will not start	<ul style="list-style-type: none"> <li>• Check the main circuit fuses, circuit breakers, and wall switch position. Check all wire connections. Make sure the power is turned off during this inspection.</li> <li>• The battery is weak. Install a fresh battery.</li> <li>• The fan receiver is defective. Replace the fan receiver.</li> <li>• Check the frequency setting: Turn the power off at the circuit breaker, for the fan that is not functioning only. Check that the jumper switches match in both the receiver and the transmitter.</li> </ul>
Fan wobbles or shakes excessively	<ul style="list-style-type: none"> <li>• Be sure the canopy pin is set properly into the slot on the ball.</li> <li>• Check that the bladeholders have not been bent during installation and the blades are balanced.</li> <li>• The hanger bracket and/or the ceiling outlet are attached too loosely. Make sure the hanger bracket is attached tightly to the ceiling outlet box and the downrod assembly is secured firmly.</li> <li>• The downrod is attached to the downrod base too loosely. Make sure all the screws are securely tightened.</li> </ul>
Fan is noisy during operation	<ul style="list-style-type: none"> <li>• Check and tighten the light fixture retaining screws, glass shade screws, and/or lightbulb(s).</li> <li>• Tighten the canopy screws and mounting plate assembly. Make sure the wire nuts inside the canopy and switch housing are not touching the metal parts and that they have not fallen off the wire splices. Tighten as necessary.</li> <li>• Tighten the blade holders to the flywheel (or direct drive motor) and the blades to the bladeholder screws.</li> <li>• Make sure all the screws in the motor housing are snug but not overly tight.</li> </ul>
Fan does not run on low speed	<ul style="list-style-type: none"> <li>• If fan is new, it may need to be “broken in.” Run at high speed for several days.</li> </ul>
Battery life is short	<ul style="list-style-type: none"> <li>• Replace with alkaline batteries.</li> </ul>
Light works, but fan does not work	<ul style="list-style-type: none"> <li>• The fan wires are not connected properly. Follow the instructions in Step 11.</li> </ul>
Fan and light run only on full speed	<ul style="list-style-type: none"> <li>• The fan receiver is defective. Replace the fan receiver.</li> </ul>
Fan is missing one speed	<ul style="list-style-type: none"> <li>• The fan receiver is defective. Replace the fan receiver.</li> </ul>
Fan does not change speed, but light works	<ul style="list-style-type: none"> <li>• The fan receiver is defective. Replace the fan receiver.</li> </ul>
Reverse does not work	<ul style="list-style-type: none"> <li>• The fan receiver is defective. Replace the fan receiver.</li> </ul>
Fan starts working by itself	<ul style="list-style-type: none"> <li>• There is frequency interference. Change frequency as described on Page 11.</li> </ul>
Fan operates only when transmitter is close	<ul style="list-style-type: none"> <li>• Check that antenna wire is not touching the metal plate.</li> </ul>
Fan works, but light does not dim	<ul style="list-style-type: none"> <li>• The fan receiver is defective. Replace the fan receiver.</li> </ul>
Fan works, but light does not work	<ul style="list-style-type: none"> <li>• The fan receiver is defective. Replace the fan receiver.</li> <li>• The light socket is broken. Replace the socket.</li> <li>• A lightbulb is defective. Replace the lightbulb.</li> </ul>



## CARE RECOMMENDATIONS

### Fan Finishes

- For cleaning, a soft brush or lint-free cloth should be used to prevent scratching the finish.
- A vacuum cleaner brush nozzle can remove heavier dust.
- Surface smudges or an accumulation of dirt and dust can be removed easily using a mild detergent and slightly dampened soft cloth. An antistatic agent may be used, but *never use abrasive cleaning agents* as these will damage the finish.

### Blades

- Wood-finish blades should be cleaned with a furniture polishing cloth. Occasionally, a light coat of furniture polish may be applied for added protection and beauty.
- For painted and high-gloss blades, surface smudges or an accumulation of dirt and dust can be removed easily using a mild detergent and slightly dampened soft cloth. An antistatic agent may be used, but *never use abrasive cleaning agents* as these will damage the finish.

### No Need for Lubrication

- *Never lubricate this fan!* The precision motor at the heart of your Casablanca fan features sealed bearings that are lubricated for life.
- Do not attempt to oil the motor.

### Changing Lightbulbs

- Be sure to turn the power to OFF at the wall switch or circuit breaker before changing lightbulbs.
- Replace bulbs with the same type as you removed from the light fixture.
- The maximum wattage rating for this fan's light kit is 100 watts for the uplight, 120 watts for the downlight.

For questions or to locate the nearest Casablanca Authorized Service Center call toll free: 1-888-227-2178  
or visit us on the web at: [www.casablancafanco.com](http://www.casablancafanco.com)

This device complies with Part 15 of the FCC rules. Operation is subject to the following two conditions:

1. This device may not cause harmful interference.
2. This device must accept any interference received, including interference that may cause undesired operation.

This equipment has been tested and found to comply with the limits for a class B digital device, pursuant to Part 15 of the FCC rules. These limits are designed to provide reasonable protection against harmful interference in a residential installation. This equipment generates, uses, and can radiate radio frequency energy and, if not installed and used in accordance with the instructions, may cause harmful interference to radio communication. However, there is no guarantee that the interference will not occur in a particular installation. If this equipment does cause harmful interference to radio or television reception, which can be determined by turning the equipment off and on, the user is encouraged to try to correct the interference by one or more of the following measures:

- Reorient or relocate the receiving antenna.
- Increase the separation between the equipment and receiver.
- Connect the equipment into an outlet on a circuit different from that to which the receiver is connected.
- Consult the dealer or an experienced radio/TV technician for help.

**NOTE:** Any changes or modifications to the transmitter or receiver not expressly approved by Casablanca Fan Company may void one's authority to operate this remote control.

# AUTHORIZED SERVICE CENTERS

STATE/CITY	ZIP	SERVICE CENTER NAME	PHONE	TYPE
<b>ALABAMA</b>				
MOBILE	36618	AZALEA CITY SERVICE CENTER	251-341-0663	
TUSCALOOSA	35405	LTG. & APPL./LIGHTING PLUS	205-345-8900	
HUNTSVILLE	35816	SOUTHERN HOME & HEARTH INC.	256-534-1715	
<b>ALASKA</b>				
ANCHORAGE	99518	PRIMARY ELECTRIC INC.	907-563-7988	
<b>ARIZONA</b>				
TUCSON	85735	DESERT BREEZE FAN & ELEC.	520-623-4646	
PHOENIX	85019	FAN-TASTIC ELECTRIC	602-866-1090	
GREEN VALLEY	85614	GOBLE ELECTRIC	520-625-4938	
SEDONA	86336	OAK CREEK AUDIO	928-282-5625	
PRESOTT	86305	MARC PARENT/ELECTRICAL ETC.	928-778-5935	
LAKE HAVASU CITY	86403	SOUND BANK ELECTRONICS	928-855-1129	ISO
SCOTTSDALE	85254	VANDERVOORT ELECTRIC INC.	602-996-9637	
GLENDALE	85308	BEA'S LAMPS & FANS	602-978-0004	ISO
PHOENIX	85032	THE BRASSWINDS SHOPPE	602-482-1881	
YUMA	85364	CURLEY'S LITEHOUSE	520-782-4353	
MESA	85210	LOUD INC. DBA FANS PLUS	480-827-9302	
MESA	85204	GALLERY OF FANS	480-962-0477	
TUCSON	85716	ILLUMINATIONS ON BROADWAY LLC	520-325-3031	OWTS
YOUNGTOWN	85363	QUALITY HOME FAN DOCTOR	602-274-6649	
TUCSON	85711	SUN LIGHTING CO.	520-322-4303	OWTS
<b>ARKANSAS</b>				
LITTLE ROCK	72212	THE RANDY HALL CO. INC.	501-227-9915	
<b>CALIFORNIA</b>				
SANTA ROSA	95404	ASEF'S APPLIANCE SERVICE	707-575-3737	
GRASS VALLEY	95945	ACCENT LIGHTING	530-477-5483	ISO
JAMESTOWN	95327	DASILVA'S LAMP & CEILING	209-984-4035	
SANTA MARIA	93455	EVER-READY ELECTRIC	805-934-7091	
AUBURN	95603	THE FAN DOCTOR	530-823-8768	
SAN DIEGO	92115	JOHN SHEPARD'S ELECT. SERV.	619-460-4132	
FRESNO	93704	LARRY MC COLLUM	559-438-5764	
NEWHALL/SANTA CLARITA	91321	DAN MARTIN	805-252-5769	
ATASCADERO	93422	MC NAMARA ELECTRIC INC.	805-466-1854	ISO/OWTS,
CLOVIS	93612	OMEGA SERVICE INC.	559-299-0495	ISO
SIMI VALLEY	93065	PURCOM SYSTEMS	805-583-8171	
CORONA	92881	JERRY F. PRYOR	909-279-7775	
BAKERSFIELD	93309	RB ELECTRIC & LTG.	805-831-2438	15-MILE RADIUS
SAN MARCOS	92069	RD ELECTRICAL CONTR.	760-727-1215	
STOCKTON	95205	RISSO ELECTRIC INC.	209-466-0781	
MOORPARK	93021	R.J. SIEG ELECT. CO.	800-799-0808	
SHINGLE SPRINGS	95682	JOHN ROZOWSKI CONST.	530-677-3850	
CATHEDRAL CITY	92234	R & R SERVICE	760-324-2942	
PLEASANTON	94588	S & L LIGHTING SERVICES	925-895-3762	
RIVERSIDE	92505	VERNE SMITH	951-687-9552	
TEMECULA	92592	TAB ELECTRIC	951-303-0850	
SO. LAKE TAHOE	96150	TAHOE POOL SERVICE	530-541-4958	
CANYON LAKE	92587	VILLAGE LIGHTS	951-244-2910	ISO
VALENCIA	91354	FANTASTIC FAN SERVICE	800-800-3871	
SAN JOSE	95123	SAL ZAMORA'S FAN REPAIR	510-742-5560	
SACRAMENTO	95819	A & A LIGHT FIXTURES	916-452-7641	ISO
TULARE	93274	ANCHOR LIGHTING	209-688-0696	OWTS
FRESNO	93710	ENERGY HOUSE	559-432-1500	ISO
SAN MARCOS	92069	FAN DIEGO #1	760-743-3267	ISO
SAN DIEGO	92111	FANDIEGO	619-292-9244	ISO
RANCHO MIRAGE	92270	FANDIEGO INC.	760-779-9916	ISO
MURRIETA	92562	FANDIEGO #4	951-600-7867	ISO/OWTS
BAKERSFIELD	93306	HILLCREST LTG-GALPIN INT	805-324-9966	
SAN FRANCISCO	94109	HOUSE OF FANS INC.	415-885-1947	ISO
TARZANA	91356	HYE LIGHTING CO.	818-345-5544	ISO/OWTS
CHICO	95928	J&J LIGHTING INC.	530-342-1815	ISO
FRESNO	93711	JAMES & CO LTG.	209-486-7900	ISO/OWTS
MANTECA	95336	MANTECA LIGHTING	209-823-1999	ISO
MISSION VIEJO	92691	MOORE'S MISSION	714-859-7090	HOME/ISO/OWTS
REDDING	96002	NORTH VALLEY LIGHTING	530-221-6277	ISO/OWTS
CERRITOS	90703	COMFORTS OF HOME	562-865-6666	
MODESTO	95350	PHILLIPS ELECTRIC CO.	209-524-6287	OWTS
SAN RAFAEL	94901	RAFFLES	415-456-6660	ISO
SANTA CRUZ	95062	RIVERSIDE LIGHTING	831-423-7411	ISO
HUNTINGTON BEACH	92647	THE TRADING POST	714-848-4353	OWTS
SAUGUS	91350	VALLEY BREEZE FAN CO	800-339-3267	
<b>COLORADO</b>				
LONGMONT	80504	LA ENTERPRISES	800-299-0222	
DENVER	80229	M.D. ELECTRIC	303-288-7988	

STATE/CITY	ZIP	SERVICE CENTER NAME	PHONE	TYPE
LOVELAND	80538	FIRESIDE LIGHTING INC.	970-669-3540	OWTS
COLORADO SPRINGS	80903	HOME LIGHTING INC.	719-471-3520	OWTS
FORT COLLINS	80525	THE LIGHT CENTER	970-226-3430	OWTS
LONGMONT	80501	LUMENAREA.COM INC.	303-485-8600	OWTS
<b>CONNECTICUT</b>				
NEW HARTFORD	06057	B.W. MORSE & SONS INC.	860-379-9855	10-MILE RADIUS
BRIDGEPORT	06605	FEDERAL ELECTRIC CONST.CO.	203-334-6455	
CLINTON	06413	GRAHAM CO.	800-942-5575	
EAST HARTFORD	06118	GRAHAM CO.	800-942-5575	
WOODSTOCK	06281	RANDY MATTEAU	860-963-8979	
WILLINGTON	06279	GEORGE OPALENIK	860-684-4558	
HARTFORD	06114	CONNECTICUT LTG. CTR. INC.	860-249-7631	ISO
GREENWICH	06830	FASHION LIGHT CENTER	203-869-3098	ISO, OWTS
NEW HAVEN	06534	NEW GRAND LIGHT	203-777-5781	ISO
<b>DELAWARE</b>				
DOVER	19901	BRUCE DRAJEM/ THE FAN MAN	302-734-7737	
NEW CASTLE	19720	ERIC SHURR	302-998-5147	
<b>FLORIDA</b>				
WINTER HAVEN	33880	ALL ABOUT FANS & LIGHTING	863-299-9593	
GAINESVILLE	32608	AUTHORIZED APPLIANCE SERV.	352-375-3886	ISO
JACKSONVILLE	32217	AUTHORIZED APPLIANCE SERV.	904-737-5312	ISO
SOUTH DAYTONA	32119	BOB'S FIX-IT	386-761-4055	
BOYNTON BEACH	33437	C.M.S.	561-736-0170	W PALM BEACH
WINTER HAVEN	33884	CYPRESS LIGHTING SHOWROOM	800-975-2677	
NE PALM BAY	32905	FAN DOCTOR/ M. FERRUZZO	321-728-5638	
NAPLES	34110	GOODWIN ELECTRIC	239-649-8880	
SPRINGHILL	34606	FAN DOCTOR/KEN R. CHURCHES	352-683-4428	
DAVIE	33330	LASERLAND INC.	854-558-3743	
NOKOMIS	34275	GRAHAM ELECTRICAL CONTR.	941-486-8190	
CORAL GABLES	33134	MICHAEL HANSEN	305-444-4111	
MAITLAND	32751	HENRY ELECTRIC CO.	407-834-4032	IN SHOP ONLY
DEERFIELD BEACH	33442	JARMO ELECTRIC INC.	954-360-9024	
TARPON SPRINGS	34689	PETER LONTAKOS ELECTRICAL	727-938-8895	
CLEARWATER	33765	STEPHEN J. MERCER/ELECTRICAL	727-712-3090	
PUNTA GORDA	33982	SELECT SERVICE & REPAIR	941-637-7850	
ORLANDO	32807	MID-FLORIDA FAN	407-893-6226	
TALLAHASSEE	32303	JIM LACZKO/TODAY'S KIDS	850-562-4661	
PORT CHARLOTTE	33952	JACKSONS LIGHTING INC.	941-625-0044	OWTS
BRANDON	33511	LUMENAIR LTG. & FANS	813-653-3460	ISO
NAPLES	34109	WILSON LIGHTING OF NAPLES	941-592-6006	OWTS/ISO ANY
<b>GEORGIA</b>				
COLUMBUS	31904	GRADY GLASS DBA DAN'S FAN CITY	706-571-3242	ISO
GRAYSON	30017	RG TENNEY ELECTRIC	770-378-9255	
WOODSTOCK	30188	BRUCE A. RUGG, GC	404-925-1133	
<b>HAWAII</b>				
KAILUA KONA	96740	KU'S ELECTRONIC SVC.	808-329-4346	
HILO	96720	BAY LIGHTING & DESIGN	808-961-5688	
AIEA	96701	THE FAN SHOP, INC.	808-488-1221	OWTS
KAILUA KONA	96740	KONA COAST HOUSE OF LTS. INC.	808-329-0748	
KAHULUI	96732	READ LIGHTING	808-871-8995	
<b>IDAHO</b>				
MERIDIAN	83642	S-K ELECTRIC, INC.	208-941-6264	
IDAHO FALLS	83402	HOME LIGHTING	208-523-2300	
<b>ILLINOIS</b>				
CENTRALIA	62801	BAKER APPLIANCE REPAIR	618-532-8437	
RICHMOND	60071	CARAVELLE LIGHTING INC.	815-678-4558	ISO
CHICAGO	60630	D & S FAN SPECIALTIES INC.	847-824-2430	
PRINCETON	61356	ELMORE ELECTRIC INC.	815-643-2354	
CHAMPAIGN	61821	TERRY GOBBLE	217-384-5891	IN SHOP ONLY
BELLEVILLE	62223	JOHN HASSENSTAB	618-398-4640	
SPRINGFIELD	62704	HOME WORKS INC.	217-753-3305	NO IN SHOP
NORMAL	61761	KIRK SMALL APPLIANCE	309-452-5248	ISO
SPRINGFIELD	62707	SHAWN SCHALK	217-585-0670	ISO
CORNLAND	62519	DELMAR VEECH	217-364-4121	
QUINCY	62301	HEINTZ LIGHTING CENTER	217-223-0101	
TRENTON	62293	LITE BRITE DIST	618-224-7314	
CHAMPAIGN	61821	SPRINGFIELD ELEC SPLY #3	217-351-7600	ISO
YORKVILLE	60560	UNIFIED SUPPLY INC.	630-553-0660	
<b>INDIANA</b>				
EVANSVILLE	47711	MICHAEL BAXTER	812-453-6498	
FORT WAYNE	46805	CARL J. SMITH	260-484-7295	
GREENFIELD	46140	D & D REPAIR	317-467-0600	
VALPARAISO	46383	D & K ELECTRIC	219-464-7576	
INDIANAPOLIS	46222	INDIANA LTG. CTR. INC.	317-293-9333	ISO
<b>IOWA</b>				
CEDAR RAPIDS	52404	ACME ELECTRIC COMPANY	319-365-8677	
SIOUX CITY	51106	DIVERSIFIED ELECTRONICS	712-276-1034	
SIOUX CENTER	51250	HILLS HOME SYSTEMS	712-722-2539	
DES MOINES	50311	ADVANCED LIGHTING	515-255-5009	OWTS

**TYPES OF SERVICE OFFERED:**

ISO = IN-SHOP ONLY      OWTS = PRODUCT SOLD BY DEALER      ISO/OWTS = BOTH



STATE/CITY	ZIP	SERVICE CENTER NAME	PHONE	TYPE	STATE/CITY	ZIP	SERVICE CENTER NAME	PHONE	TYPE
<b>IOWA (CONTINUED)</b>									
MONTICELLO	52310	REM ELECTRIC INC.	319-465-3346		NORFOLK	68701	THE POWER STATION/FROHBERG ELEC.	402-371-6671	
CARROLL	51401	J & L ELECTRIC INC.	712-792-2444	ISO	LINCOLN	68510	LINCOLN LIGHTING CTR.	402-476-1297	
CORALVILLE	52241	RALSTON CREEK	319-351-2189	OWTSH/ISOA	<b>NEVADA</b>				
DAVENPORT	52803	SHAW ELECTRIC INC.	563-323-3611		SPARKS	89431	EAGLE ELECTRIC, INC.	775-356-7300	
<b>KANSAS</b>					LAS VEGAS	89103	KS&S ELECTRIC, LLC	702-222-9306	
WICHITA	67211	ACTION APPLIANCE SERVICE INC.	316-263-0652	ISO	LAS VEGAS	89119	FANCO	702-898-8522	
EMPORIA	66801	C.A.P.	316-342-0448		<b>NEW HAMPSHIRE</b>				
OVERLAND PARK	66213	KAL ELECTRIC INC.	913-897-6767		NEW IPSWICH	03071	HOUSE DOCTOR	603-731-5036	
OVERLAND PARK	66210	RANDY RUSSELL	913-338-5330		EXETER	03833	EDWARD HEINE	603-772-2359	
WICHITA	67226	ACCENT LTG INC.	316-636-1278		NASHUA	03060	AFFORDABLE FANS ETC.	603-759-8332	
MANHATTAN	66502	ENDACOTT LIGHTING	785-776-4472		<b>NEW JERSEY</b>				
TOPEKA	66611	K & S LIGHTING	785-267-0422		BELLMAWR	08031	JOSEPH ASHLEY	609-694-3785	
LENEXA	66215	RENSH HOUSE OF LIGHTS	913-888-0888	ISO	WASHINGTON	07882	C.P. ORLANDO	908-689-4750	
SALINA	67401	SALINA APPL. SHOWROOM	785-827-1420		TRENTON	08619	WIRING UNLTD./RICHARD DOBRON	609-584-1122	
OVERLAND PARK	66223	WESTERN CHANDELIER CO.	913-685-2000		THOROFARE	08086	HARRY R. HABICHT	856-845-2541	
OVERLAND PARK	66212	WILSON FANS & LIGHTING	913-642-1500		MORRIS PLAINS	07950	MANNY HERRERA	973-993-1137	
<b>KENTUCKY</b>					LINWOOD	08221	JACK BRESLAU-HANDYMAN SVCS.	609-601-1797	20 MI. RAD.
LEXINGTON	40510	CHARLET ELECT./RON CHARLET	606-231-7344		RANDOLPH	07869	ANTHONY MAKOMASKI	908-475-5569	
<b>LOUISIANA</b>					W. LONG BRANCH	07764	CHRIS KIBBE/NO SHORTS ELECTRIC	732-222-4228	ISO
LAFAYETTE	70501	ACADIA SERVICE CO.	318-233-8910		MULLICA HILL	08062	STEPHEN RICE	856-223-8645	
HOUMA	70363	GULF SOUTH ARMATURE	985-872-0486		JACKSON	08527	ROBERT ROLZHAUSEN	732-363-3729	
BATON ROUGE	70815	HOME APPLIANCE SERVICE	504-272-7725	ISO	CHESTER	07930	CHESTER LIGHTING, INC.	908-879-7200	OWTS
MONROE	71201	ALBERT SURLCO	318-699-0619	ISO	PARK RIDGE	07656	KRELL LIGHTING	201-391-7685	OWTS
NEW IBERIA	70560	WALET'S INC.	318-364-7486	ISO	<b>NEW MEXICO</b>				
LAKE CHARLES	70601	JOSEPH'S ELECTRICAL CTR INC.	318-436-4930		ALBUQUERQUE	87123	FRANK'S ELECTRIC	505-293-6724	ISO
METAIRIE	70006	ROMAINE'S	504-887-7077		ROSWELL	88201	J & G ELECTRIC CO.	505-622-0146	
<b>MAINE</b>					ALBUQUERQUE	87112	A-1 LAMP DOCTOR	505-296-5050	
SOUTH PORTLAND	04106	T.A. NAPOLITANO	207-799-0538	NO CLIPS	ALBUQUERQUE	87109	B-ELECTRIC	505-828-0241	SANTA FE
<b>MARYLAND</b>					<b>NEW YORK</b>				
FREDERICK	21704	GL FAN SERVICE	301-831-4925		COMMACK	11725	AIR-TEK DBA REPUBLIC LIGHTING	631-499-1854	ISO
WHITE HALL	21161	BT ELECTRIC/BILL TYRRELL	410-329-6353		BROOKLYN	11204	JERRY PICCOLINO/J&R SERVICE	718-259-1789	
FORESTVILLE	20747	BURGESS LIGHTING	301-568-8000	ISO,OWTS	ALBANY	12205	BERT ELECTRIC	518-869-7140	
<b>MASSACHUSETTS</b>					E. MEADOW	11554	C.D. SERVICE	516-538-3481	
S. ATTLEBORO	02703	AJ ELECTRIC	508-761-5021	20 MI. RAD.	BUFFALO	14206	CRAFTMASTERS SERVICENTER	716-893-9557	20-MI. RAD.
BRIDGEWATER	02324	BILTCLIFFE ELECTRIC	508-697-7630	ISO	QUEENSBURY	12804	DEAN ELECTRIC	518-792-4781	
MAYNARD	01754	HOUSE DOCTOR	978-897-9085		HASTINGS	13076	ELECTRICAL WORK BY MARTY	315-668-0220	
W SPRINGFIELD	01089	JALBERT ELECTRIC	413-734-4976		BUFFALO	14226	THE FAN COLLECTION, INC.	716-839-2447	ISO
NATICK	01760	J.G. ELECTRIC CO INC.	508-653-3042	ISO	PLAINVIEW	11803	JOSEPH GOTTDANK	516-932-7618	
DANVERS	01923	PLAZA LIGHTING	978-774-7801	ISO	NEWBURGH	12550	J D PARRELLA ELECT.	845-562-4112	
DENNIS	02638	RICK SEXTON	508-385-7536		STATEN ISLAND	10312	JOE VALLETUJTI JR..	718-608-9008	
WORCESTER	01603	EDWARD A. TORTORA	508-755-3735		YONKERS	10704	JAY D. KOSACK	914-237-9051	
NEW BEDFORD	02740	VANDER ELECTRIC & EQUIP. CO.	508-993-6383	ISO	POUGHKEEPSIE	12601	MANNINO ELECTRIC INC.	914-452-3520	IN SHOP
ORLEANS	02653	ASSOCIATED ELECTRICAL SERV.	508255-4589		ROCHESTER	14620	BARRY MALADY DBA CAM ELECTRIC	585-271-8560	
<b>MICHIGAN</b>					LONG BEACH	11561	NICK'S IMPROVEMENT COMPANY	516-659-8989	
BELLEVILLE	48111	MIKE AYERST	734-699-9698		SHOKAN	12481	OLIVE FANS & LTG.	845-657-5823	
LANSING	48906	INTEGRITY ELECTRIC	517-484-0300		LYNBROOK	11563	SHADERITE-PZ REPAIR	516-593-8973	
LANSING	48917	LARGENT ENTERPRISES INC.	517-627-4229		STATEN ISLAND	10301	FRANK RAGUCCI/F&R SERVICE CNTR.	718-273-5518	
TRAVERSE CITY	49686	CREATIVE LTG. & RESTORATION	231-938-1332	ISO	REGO PARK	11374	MARK RALIN	718-896-7844	QUEENS
HOWELL	48855	LIGHTNING ELECTRIC INC. CO	810-227-3375		AMHERST	14228	SHANOR LTG. CTR.	716-691-3622	ISO
BIRMINGHAM	48009	21ST CENTURY ELECTRIC	248-645-6464		SCHENECTADY	12303	FRANK SALVATORE	518-355-5789	
GRAND RAPIDS	49512	GRAND RAPIDS LTG. CTR. INC.	616-949-4931	OWTS,ISO	TROY	12180	TROY LIGHT COMPANY	518-274-6931	ISO
KALAMAZOO	49002	HODGSON ENTERPRISES	269-343-4428	OWTS	COMMACK	11725	TURNPIKE APPLIANCE	631-499-3355	20-MI. RAD.
<b>MINNESOTA</b>					STATEN ISLAND	10304	V & P SERVICE CO/VITO PICCOLINO	718-447-7945	
ROCHESTER	55906	KROUPA'S ELECTRONICS	507-281-4064		PEARL RIVER	10965	BOB VAZQUEZ	845-735-5861	
MINNEAPOLIS	55422	LEO'S ELECTRIC SALES & SERVICE	612-546-5625		BEDFORD	10507	BEDFORD LIGHTING INC.	914-666-0680	ISO
MAPLEWOOD	55109	NORTH COUNTRY ELECTRIC	651-748-4027		CARLE PLACE	11514	LIGHTING CTR. BY CAMEO INC.	516-747-4748	ISO
MINNEAPOLIS	55411	PENN ELEC. MOTOR SERV.	612-588-5333		BROOKLYN	11219	MAIN LAMP CORP.	718-436-2207	ISO
PLYMOUTH	55441	FAN MAN #101 (FLOWC #21)	612-559-0761	ISO	BROOKLYN	11223	MANHATTAN LIGHTS INC.	718-998-1111	
BURNSVILLE	55337	FAN MAN #102 (FLOWC #22)	612-898-2754	ISO	NANUET	10954	NOVA LIGHTING, INC.	914-623-5211	ISO
EDEN PRAIRIE	55344	FAN MAN #106 (FLOWC#26)	612-941-9243	ISO	AMHERST	14226	ROYALITE INC.	716-832-1492	ISO
ST. PAUL	55108	FAN MAN #107 (FLOWC #27)	651-649-0686	ISO	NEW YORK	10003	SUPERIOR LIGHT & FAN	212-677-9191	
BAXTER	56425	THE LIGHT DEPOT	218-829-0770	ISO	<b>NORTH CAROLINA</b>				
<b>MISSISSIPPI</b>					SALISBURY	28146	HAUSS ELECTRICAL SERV.	704-637-7774	
MADISON	39110	JACKSON SERVICE CTR.	601-856-9469		CHARLOTTE	28205	EFIRD'S INTERIORS, INC.	704-376-5648	ISO
OCEAN SPRINGS	39564	KELLY'S APPLIANCE	228-872-7181	ISO	HICKORY	28602	EFIRD'S INTERIORS, INC.	704-322-2203	ISO
<b>MISSOURI</b>					CHARLOTTE	28203	SIMPSONS LIGHTING /LT.FIXT	704-376-5463	OWTS
SPRINGFIELD	65802	COMPLETE MAINTENANCE	417-866-2700		<b>NORTH DAKOTA</b>				
ST LOUIS	63123	LEINWEBER SERVICE CO.	314-892-8177	SECONDARY	FARGO	58102	MIDSTATES ELECTRIC INC.	701-293-0441	
SPRINGFIELD	65804	LOYD'S ELECT/LIGHTHOUSE GALL.	417-889-1088		<b>OHIO</b>				
BRANSON	65616	LOYD'S ELECTRIC SUPPLY INC.	417-334-2171		CANTON	44706	APPLIANCE PARTS CO.	330-453-8077	ISO
<b>MONTANA</b>					COLUMBUS	43235	CERTIFIED SYSTEMS	614-799-0778	
KALISPELL	59901	LASALLE LIGHTING	406-752-2424		LOVELAND	45140	HANK GRINSHPAN	513-683-8666	
HELENA	59601	SUPREME LIGHTING	406-442-8200		MAUMEE	43537	K.O.V ELECTRONIC REPAIR	419-865-8893	
MISSOULA	59801	WESTERN MONTANA LTG SPY	406-543-7166	ISO	DAYTON	45419	LARKIN ELECTRIC CO.	937-294-4115	
<b>NEBRASKA</b>					COLUMBUS	43231	THE LAMP LIGHTER	614-891-7940	
OMAHA	68104	D & L ELECTRONICS	402-571-5233		CLEVELAND	44109	WESTSIDE LTG. CTR.	216-459-1970	
GRAND ISLAND	68803	QUALITY SEW & VAC.	308-382-7310	ISO	N. OLMSTED	44070	CHANDELIER SHACK INC.	440-777-6969	ISO
OMAHA	68144	OAK HILLS ELECTRIC INC.	402-691-4567		NORTH LIMA	44452	DICKEY ELECTRIC	330-549-3976	
					SOUTH EUCLID	44121	LAMPSHADER EAST/DBA LTG. EXPO	216-291-3030	OWTS/ISO
					DAYTON	45459	OHIO LAMP & FIXTURE CO.	937-439-0822	ISO

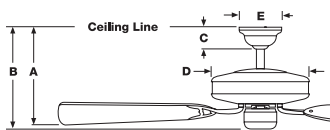
STATE/CITY	ZIP	SERVICE CENTER NAME	PHONE	TYPE	STATE/CITY	ZIP	SERVICE CENTER NAME	PHONE	TYPE
<b>OKLAHOMA</b>					<b>ARLINGTON</b>				
OKLAHOMA CITY	73105	APPLIANCE SERVICE BY CK	405-525-8862		TYLER	76001	P&M QUALITY CONT.	817-478-2004	
OKLAHOMA CITY	73132	LARKIN E. STEVENSON	405-728-8810		XHEARE	75707	CHARLES R. RAINS	903-566-3119	
OKLAHOMA CITY	73127	JAMES LIGHTING INC.	405-947-6663		CARROLLTON	77859	THOMPSON SUPPLY	409-280-5737	
<b>OREGON</b>					HUMBLE	75006	ADFANTAGE CEILING FAN	972-446-9393	
PORTLAND	97225	SYLVAN ELECTRONICS INC.	800-473-1244	ISO	HUSTON	77338	CAROLS LTG. & FAN SHOP	281-446-7613	ISO
BEND	97701	DESIGN LIGHTING INC.	541-389-9997	ISO	AUSTIN	78703	TEXAS CEILING FANS/CEILING FAN SHOP	512-477-3132	ISO
<b>PENNSYLVANIA</b>					HOUSTON	77069	CHAMPIONS LIGHTING	281-440-5339	ISO
HOPWOOD	15445	GEORGE R. SMALLEY CO. INC.	724-437-1927		RICHARDSON	75080	COOL BREEZES	972-690-4580	
DREXEL HILL	19026	PATRICK HASTINGS	610-853-2709		HURST	76053	ARC FAN & LIGHTING	817-268-2218	ISO,OWTS
ALLETOWN	18105	LIGHTING FIXTURE & SUPPLY CO	610-435-9691		BEAUMONT	77702	FAN FACTORY	409-833-8207	ISO
PITTSBURGH	15224	MARK DIULUS ELECTRIC CO.	412-681-2553		DALLAS	75206	LIGHTS FANTASTIC	214-987-9655	
PHILADELPHIA	19111	KLAUS OTTE	215-745-4266		VICTORIA	77904	HALL ELECTRIC CO., INC.	512-578-6221	
EASTON	18045	PRIMROSE ELECTRICAL	610-258-1359		SAN ANGELO	76904	HERITAGE HAUS	325-949-6541	
ALLETOWN	18102	SCHOLL'S ELECTRIC	610-435-5876		WICHITA FALLS	76308	LANTERN HOUSE INC.	940-692-7381	ISO
LANCASTER	17601	S. DEAN'S ELECTRIC	717-2854545		HOUSTON	77063	LIGHTING PLUS INC.	713-784-2440	ISO
WEST CHESTER	19382	TOBIAS ELECTRIC	610-942-4000	IN HOME ONLY	HARLINGEN	78550	THE LIGHT HOUSE	956-423-6664	OWTS
FAIRLESS HILLS	19030	ASTRO LTG. GALLERIES	215-943-0331	ISO	MCALLEN	78504	THE LIGHT HOUSE	956-631-1155	OWTS
WEST READING	19611	A TO Z VACUUM STORES	610-374-4888	OWTS	SEALY	77474	TEXAS CEILING FANS	979-885-6900	ISO
HARRISBURG	17111	YALE ELECTRIC SUPPLY	717-233-8401	ISO	<b>UTAH</b>				
CONSHOHOCKEN	19428	KAY ELECTRIC SUPPLY	610-825-0100	ISO	MURRAY	84107	CENTRAL ELECTRIC CO.	801-467-5479	
WILLOW GROVE	19090	NORTH-WEST ELEC. SUPPLY CO.	215-659-5757		RIVERTON	84065	VERN O. FRANCIS	801-254-4178	
STATE COLLEGE	16803	WHITEHILL LIGHTING & SPLY.	814-238-2449		LAYTON	84040	HARUO YOSHIKAWA	801-546-6008	
<b>RHODE ISLAND</b>					<b>VIRGINIA</b>				
PAWTUCKET	02861	WICKFORD APPLIANCE & LTG CTR.	401-726-4240	ISO	RICHMOND	23228	FANNING ELECTRICAL SERVICE	804-262-3681	
<b>SOUTH CAROLINA</b>					BURKE	22015	L&S ELECTRIC INC.	703-237-0011	
HANAHAH	29406	BOBBY LUTES ELECTRICAL INC.	843-797-0948	ISO	WILLIAMSBURG	23185	TAPROOT COMPANY	757-229-3722	ISO
SPARTANBURG	29306	BOBBY JACKSON ELECTR.	803-583-6035		VIRGINIA BEACH	23451	FANS,LIGHTING, 'N' MORE	757-422-3616	
BLUFFTON	29910	J. HEAVENER & CO.	843-837-8300		<b>WASHINGTON</b>				
GOOSE CREEK	29445	DAVID MIMS	843-514-2380		SPOKANE	99216	BRITE-WAY ELECTRIC	509-922-0275	
MYRTLE BEACH	29575	RAY ELECTRIC	843-293-0068		TACOMA	98404	M.G.M. ELECTRONICS	253-752-9826	
COLUMBIA	29212	EASTWIND ENTERPRISES	803-781-3267		WENATCHEE	98801	SEW CREATIVE/ADVANTAGE STORE	509-663-5516	
<b>SOUTH DAKOTA</b>					PASCO	99301	ARHA TOTAL SERVICE	509-547-3799	
SIOUX FALLS	57105	LAMPS AND SHADES INC.	605-332-6680		BELLINGHAM	98225	JOHN WIGGINS DBATWIN SISTER'S ELEC.	360-676-1257	
SIOUX FALLS	57104	MAHLANDER'S	605-336-7798		YACOLT	98675	S&L ELECTIRC	503-657-0633	
<b>TENNESSEE</b>					YAKIMA	98902	INLAND LIGHTING	509-248-4647	ISO
MT CARMEL	37645	APPALACHIAN ELEC. SVC.	423-357-0783	ISO	<b>WASHINGTON, DC</b>				
MEMPHIS	38111	APPLIANCE SERVICE CTR.	901-324-5898	ISO	WASHINGTON	20007	FAN FAIR	202-342-6290	ISO
LOUISVILLE	37777	BEN SNYDER	865-380-5491		<b>WEST VIRGINIA</b>				
BRENTWOOD	37027	PAUL TAMPIEN/SUNSHINE ELECT.	615-371-9383		SO. CHARLESTON	25309	PEPPER ELECTRIC	304-768-8195	
<b>TEXAS</b>					WHEELING	26003	TOP HAT STOVE SALES	304-233-6262	
LEWISVILLE	75067	SOUTHERN COMFORTS	940-536-1406		<b>WISCONSIN</b>				
HOUSTON	77089	BENNETT FAN INSTALL., INC.	281-484-1401		MILWAUKEE	53219	BOB'S FAN REPAIR	414-546-2501	
CORPUS CHRISTI	78404	BRAND APPLIANCE & MICROWAVE	512-854-1851	ISO	GREEN BAY	54313	KARL DEVROY	920-494-6090	
FREESPORT	77541	SKIP'S ELECTRIC AND AIR	979-233-3903		FONTANA	53125	J&L PROPERTY MAINT.	262-275-2345	
AMARILLO	79106	DI'S LAMP & FAN REPAIR	806-331-5267		BROOKFIELD	53005	CITY LIGHTS & FANS	414-781-9048	ISO/OWTS
DENTON	76201	FANTASIA CEILING FANS	940-484-4222		MADISON	53719	MADISON LIGHTING	608-271-6911	
ODESSA	79761	GOFORTH ELECTRIC	432-550-8927		LA CROSSE	54601	WETTSTEIN'S	608-784-5555	
DENTON	76201	LARRY W. GOFF	940-387-7304		<b>CANADA</b>				
DAMON	77430	GULF COAST FAN SERVICE	281-495-6434		TORONTO, ONT.,	M6M2P5	ZANEEN LIGHTING	416-247-922	
KERRVILLE	78029	MAURICE HAMMIT	210-367-4937		<b>OVERSEAS</b>				
PARIS	75460	HARGIS ELECTRIC	903-785-8055		ST. THOMAS	00805	DUANE LOBERG	809-775-2399	
SAN ANTONIO	78212	CEILING FAN SERVICE CTR.	210-804-1362						
AUSTIN	78757	KLOCK ELECTRIC	512-837-4704						
GIDDINGS	78942	ORSAG'S INC.	409-542-3167						
LUBBOCK	79413	ORECK VACUUMS	806-792-2821						

## PRODUCT SPECIFICATIONS

**Collection:** Casablanca Designer Series  
**Model Name:** Middlebury™  
**Model Number:** C6K36M

**Dimensions:**  
 A = 11"  
 B = 17"  
 C = 3"  
 D = 16"  
 E = 5.6"

NOTE: Dimension B includes light fixture and glass.



**Weight:** 36 lbs.

**Finishes:** Cordovan with Spanish Gold accents  
**Motor:** 188 x 25mm Direct Drive™  
**Blade Span:** 56"  
**Blade Iron Pitch:** 15°  
**No. of Blades:** 5  
**Technology:** Versa•Touch II™ (W-73)  
**Lightbulbs:** (4) 25-watt S11, (2) 60-watt A15