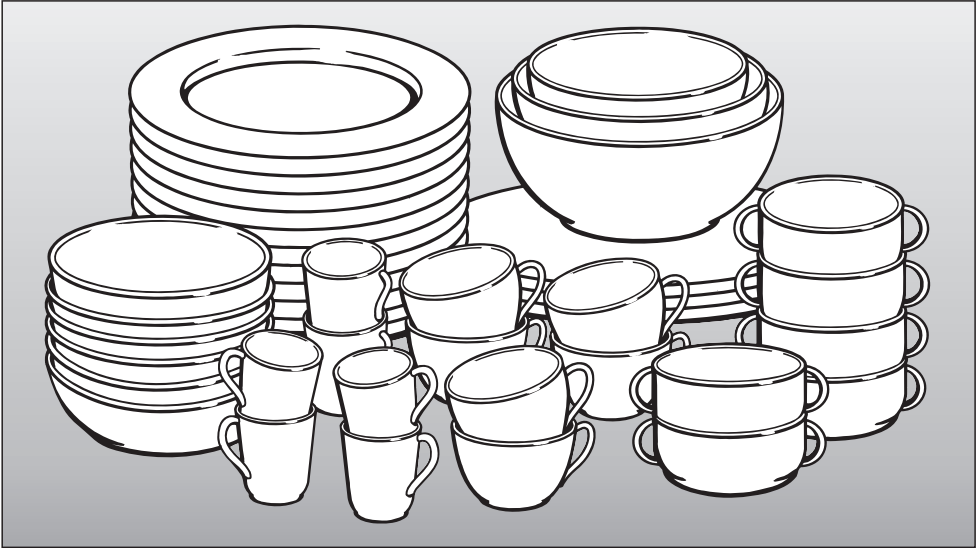


Miele

Operating and Installation Instructions



Built-in Plate Warmer EGW 2062

To prevent accidents and
appliance damage read
these instructions

before

installation or use.

en - US, CA

M.-Nr. 07 342 340

IMPORTANT SAFETY INSTRUCTIONS	4
Guide to the machine	7
Before using for the first time	8
Using the plate warmer	9
Cleaning and care	12
Frequently asked questions	13
Technical Service	14
IMPORTANT INSTALLATION SAFETY INSTRUCTIONS	16
Installation	17
Installation dimensions	17
Electrical connection	20
Help protect our environment	21

IMPORTANT SAFETY INSTRUCTIONS

WARNING- When using your appliance follow basic precautions, including the following:

Read all instructions before installation or use to prevent injury and appliance damage.

This appliance conforms to all uniform safety codes and regulations.

Read all operating and installation instructions for appliances installed in combination with the plate warmer.

Keep these operating instructions in a safe place and pass them on to any future user.

SAVE THESE INSTRUCTIONS

Correct usage

▶ This appliance is intended for residential use only. Only use the appliance for its intended purpose as described in this manual. Other uses are not permitted and can be dangerous.

▶ Persons who lack physical, sensory or mental abilities, or experience with the appliance should not use it without supervision or instruction by a responsible person.

Children

▶ Close supervision is necessary when any appliance is used by or near children.

▶ Do not let children access the appliance or its controls.

▶ Ensure that any packing material, is disposed of safely and kept out of the reach of children. Danger of suffocation!

IMPORTANT SAFETY INSTRUCTIONS

Technical safety

- ▶ Before installing the appliance, check for externally visible damage. Do not operate a damaged appliance.
- ▶ Be certain your appliance is properly installed and grounded by a qualified technician. To guarantee the electrical safety of this appliance, continuity must exist between the appliance and an effective grounding system. It is imperative that this basic safety requirement be met. If there is any doubt, have the electrical system of the house checked by a qualified electrician.
- ▶ Before installation make sure that the voltage and frequency listed on the data plate correspond with the household electrical supply. This data must correspond in order to avoid risk of damage to the appliance. If in doubt, consult a qualified technician.
- ▶ Do not use the appliance until it has been properly installed into cabinetry.
- ▶ Never open the outer casing of the appliance. Tampering with electrical connections or components and mechanical parts is dangerous and could cause machine damage.
- ▶ Installation, repair and maintenance work should be performed by a Miele authorized service technician. Work by unqualified persons could be dangerous and may void the warranty.
- ▶ Hardwiring the appliance should be performed by a certified electrician in compliance with all local and national codes, and requirements.
- ▶ Do not operate any appliance with a damaged cord or plug, or if the appliance has been damaged in any manner. Contact Miele's Technical Service Department.
- ▶ Defective components should be replaced by Miele original spare parts only. Only with these parts can the manufacturer guarantee the safety of the appliance.
- ▶ Before installation or service, disconnect the appliance from the power supply by either removing the fuse, "tripping" the circuit breaker or unplugging the unit. Pull the plug not the cord.
- ▶ Do not use an extension cord to connect this appliance to electricity. Extension cords do not guarantee the required safety of the appliance.
- ▶ While the appliance is under warranty repairs should only be performed by an authorized service technician. Otherwise the warranty is void.
- ▶ Do not install outdoors.

IMPORTANT SAFETY INSTRUCTIONS

Safety

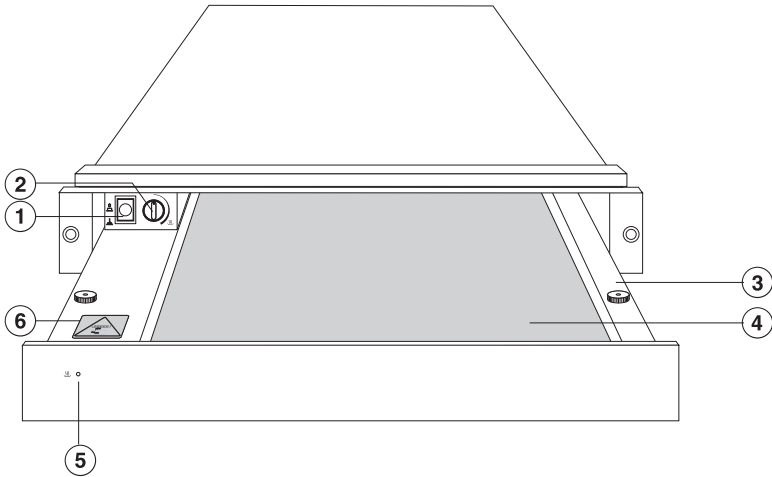
- ▶ The plate warmer interior, the top in particular, gets very hot when in use and remains hot for some time once turned off. Use caution.
- ▶ Protect your hands with oven mitts or potholders when using the appliance. Use only dry, heat resistant potholders. Moist or damp potholders used on hot surfaces can result in steam burns.
- ▶ Pull the drawer out all the way when removing dishes to avoid touching hot drawer parts.
- ▶ Do not use the plate warmer to reheat, cook or keep food and drinks warm. The condensation from food or drinks could lead to moisture damage in the appliance.
- ▶ Do not store anything in the warming drawer. Forgotten items could melt or catch fire when the appliance is turned on. Flammable liquids and materials should never be stored in, above or under the plate warmer.
- ▶ Do not use the plate warmer to heat the room. Due to the high temperatures radiated, objects left near the appliance could be damaged.
- ▶ Do not replace the non-slip mat, e.g. with a kitchen towel.
- ▶ Do not lean, sit or overload the warming drawer. This will cause damage. The drawer can hold a maximum of 33 lbs (15 kg).

▶ Do not use a steam cleaner to clean this appliance. Steam could penetrate electrical components and cause a short circuit. Pressurized steam may cause permanent damage to the surface and to components of the appliance.

▶ To prevent injuries, do not use accessories not recommended by Miele.

SAVE THESE INSTRUCTIONS AND REVIEW THEM PERIODICALLY

Guide to the machine



- ① On/Off button (lights up)
- ② Temperature selector
- ③ Warming drawer
- ④ Non-slip mat
- ⑤ Indicator
- ⑥ Warning sticker to indicate burn hazard

Before using for the first time

Clean the appliance

- Remove any protective wrapping.
- Remove the non-slip mat and clean with a solution of warm water and liquid dish soap. Dry with a soft cloth.
- Clean the plate warmer, inside and out, with a damp cloth and wipe dry.
- Replace the non/slip mat once it has completely dried.

Heat the appliance

- Heat the empty plate warmer for a minimum of 2 hours. Turn the temperature selector to "Maximum" (see "Selecting a temperature").
- Vent the room when heating the drawer for the first time.

Metal components have a protective coating which may give off a slight odor the first time your new appliance is heated. The smell will dissipate after a short time and does not indicate a faulty connection.

Using the plate warmer

The plate warmer is only intended for warming dishes.

Do not use the plate warmer to reheat, cook or keep food and drinks warm. Condensation from food or drinks could cause moisture damage to the appliance.

Use pot holders when removing dishes.

The drawer can hold a maximum of 33 lbs (15 kg).

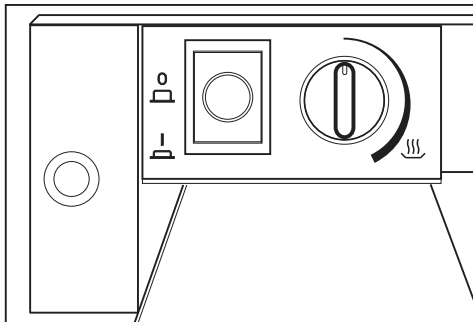
Opening and Closing

To open and close the plate warmer gently push the center of the drawer.

Controls

The controls include the temperature selector and the On/Off button. They are only visible when the drawer is open.

The indicator on the front of the drawer shows if the plate warmer is turned on or off.



Using the plate warmer

Operating

- Place the dishes in the plate warmer.
- Select a temperature.
- Turn the appliance on (I).
The On/Off button will light.
- Close the drawer.
- The indicator at the front of the appliance drawer lights showing that the unit is on.
- Turn the appliance off (O), before removing the warmed dishes.
- Pull the drawer out all the way to remove the dishes.

Selecting a temperature

The temperature selector allows you to select a temperature between 86° and 122°F (30° and 50°C).

Do **not** turn the knob counterclockwise past the 12 o'clock position or clockwise past the 6 o'clock position. Forcing it beyond these positions will damage the temperature selector.

When the selected temperature is reached, the heating element will turn off. It turns on again when the unit cools below the selected temperature.

The optimum temperature to preheat cups and glassware is about 104°F (40°C). When pre-warming cups to this temperature, the drinks will not cool as fast and the cup itself is still cool enough to touch.

Warming times

Various factors will affect the warming times:

- type and thickness of the dishes,
- quantity,
- how the dishes are arranged, and
- the temperature setting.

As you use the plate warmer you will learn which settings suit your needs best.

As a guideline:

It will take approx. 30 - 40 minutes to evenly warm dishes at the maximum temperature setting of 122°F (50°C).

Capacity

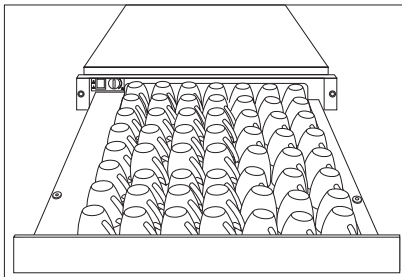
The quantity which can be loaded will depend on the size of your dishes.

Example:

- 25 Cappuccino cups or
- 56 Espresso cups

Insert the cups or glassware upside down in the plate warmer to ensure an even warming.

The maximum load is 33 lbs (15 kg).



Cleaning and care

Allow the appliance to cool before cleaning.

Do not use a steam cleaner to clean this appliance. Pressurized steam could penetrate electrical components and cause a short circuit.

Do not use commercial cleaning agents. Only use agents recommended for domestic use.

All surfaces of the appliance are susceptible to scratching. Breakages can occur on glass surfaces.

Appliance front / interior

Remove spills as soon as possible. Otherwise the soiling may become hard to remove. If spills are allowed to sit for an extended period of time or if unsuitable cleaning agents are used the surfaces may discolor or change.

- Clean the appliance with a solution of warm water and liquid soap applied with a soft sponge. Dry with a soft cloth.

Glass cleaners may be used to clean the exterior. However **do not** allow them to sit or "puddle", this can cause damage to the surface.

Remove the cleaner promptly.

To better maintain your appliance avoid the following:

- cleaners containing soda, ammonia, thinners, or chlorides
- cleaners containing descaling agents,
- abrasive cleaners,
- stainless steel cleaners,
- dishwasher soap (powder),
- caustic (oven) cleaners,
- scouring pads, steel wool, hard brushes,
- metal scrapers


Non-slip mat

The mat can be removed to clean the bottom of the drawer.

- Clean the mat by hand with warm water and liquid dish soap.
- Dry thoroughly. Do not return the mat until it is completely dry.

Never clean in the washing machine or dishwasher.

Frequently asked questions

 Repairs should only be carried out by an authorized technician in accordance with local and national safety regulations. Unauthorized repairs could cause injury or appliance damage.

The dishes are not warm enough.

Possible fault	Solution
The appliance is turned off.	Turn the appliance on with the On/Off button.
The wrong temperature was selected.	Check the temperature setting.
The dishes need more time to warm.	Increase the timer setting. See "Warming times".

The dishes are not warm.

Possible fault	Solution
The main fuse has blown.	Restore power.

The dishes are too hot.

Possible fault	Solution
The temperature control is faulty.	Contact Technical Service.

The On/Off button not light when turned on.

Possible fault	Solution
The light for the On/Off button is faulty.	Contact Technical Service.

Technical Service

In the event of a fault which you cannot easily fix yourself, please contact the Miele Technical Service Department at the address on the back of this booklet.

When contacting Technical Service please quote the serial number and model of the appliance. This information is visible on the silver data plate supplied with the appliance.

MieleCare

(USA only)

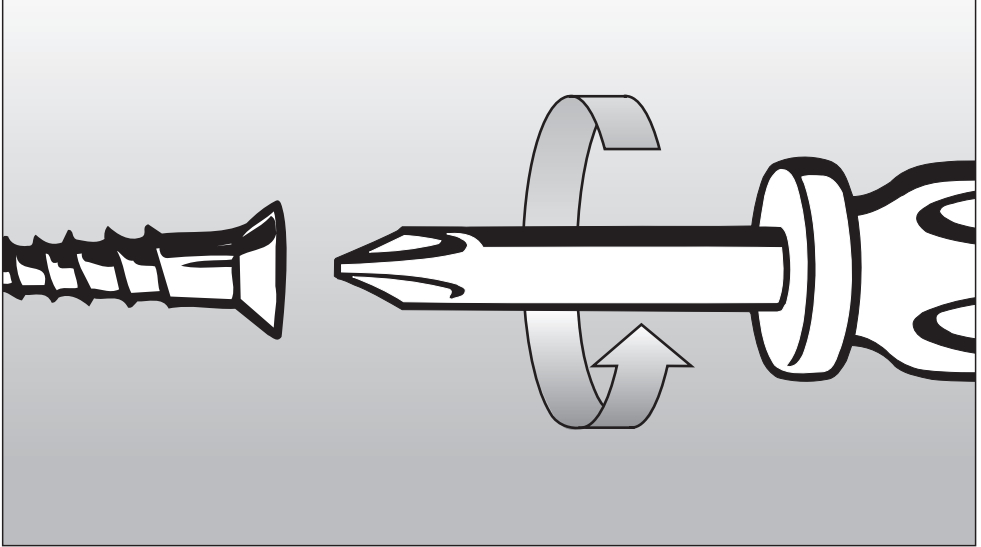
MieleCare, our Extended Service Contract program; gives you the assurance of knowing that your appliance investment is covered by 5 years of worry free ownership.

MieleCare is the only Extended Service Contract in the industry that guarantees repairs by a Miele Authorized Service Provider using genuine Miele parts. Only genuine Miele parts installed by factory trained professionals can guarantee the safety, reliability and longevity of your Miele appliance.

Please note that unless expressly approved in writing by the Miele Service department, Extended Service Contracts offered by other providers for Miele products will not be recognized by Miele. Our goal is to prevent unauthorized (and untrained) service personnel from working on your Miele products, possibly doing further damage to them, you and/or your home.

To learn more about **MieleCare** Extended Service Contracts, please contact your appliance dealer or visit us online at:

<http://miele.com/mielecare>



Installation Instructions

IMPORTANT: SAVE FOR THE LOCAL ELECTRICAL INSPECTOR'S USE

To prevent accidents
and appliance damage
read these instructions

before
installation or use.

IMPORTANT INSTALLATION SAFETY INSTRUCTIONS

▶ Before installation make sure that the voltage and frequency listed on the data plate correspond with the household electrical supply. This data must correspond in order to avoid risk of damage to the appliance. If in doubt, consult a qualified technician.

▶ The electrical outlet should be easily accessible after installing the unit.

▶ Be sure that after installation the power cord does not come into contact with any hot surfaces.

▶ Only install the plate warmer in combination with built-in appliances recommended by the manufacturer. When installed with other appliances, the warranty is void since the manufacturer cannot guarantee the safe use of the plate warmer.

▶ To install the plate warmer in combination with another appliance, a built-in shelf must exist in the cabinet to support the weight of both appliances.

▶ When installed in combination with another appliance, the plate warmer must always be installed beneath the other appliance. The combination appliance can be set without a base directly onto the plate warmer. A shelf between the appliances is not necessary.

▶ To install the combination appliance please see the manual supplied with that machine.

▶ This appliance is not designed for maritime use or for use in mobile installations such as recreational vehicles or aircraft. However, under certain conditions it may be possible for an installation in these applications. Please contact the Miele Technical Service Department with specific requirements.

Note to the installer:

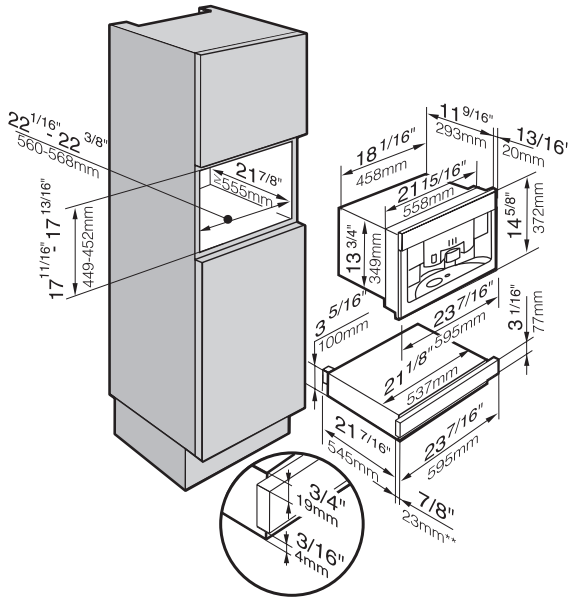
Please leave these instructions with the consumer of the appliance for the local building inspectors use.

SAVE THESE INSTRUCTIONS

Installation dimensions

Miele appliances can be installed flush or proud. Discuss your installation requirements with your architect, designer and installer.

Combination with Coffee system



* Machine with glass front

** Machine with stainless steel front

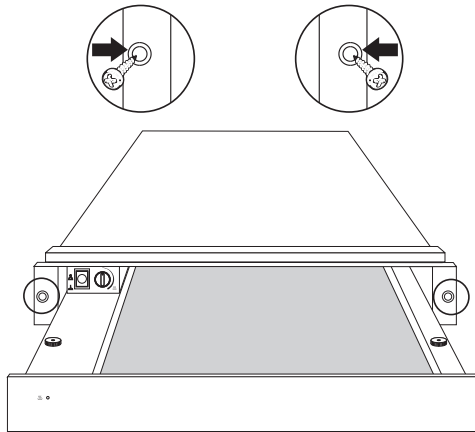
Installation

Installing the appliance

- Set the plate warmer into the niche, push is all the way in.

Be sure that is it aligned it at a right angle.

- Open the drawer and fix the appliance with the two supplied screws at the side panels of the cabinet.
- Install the combination appliance regarding the manual supplied with that machine.

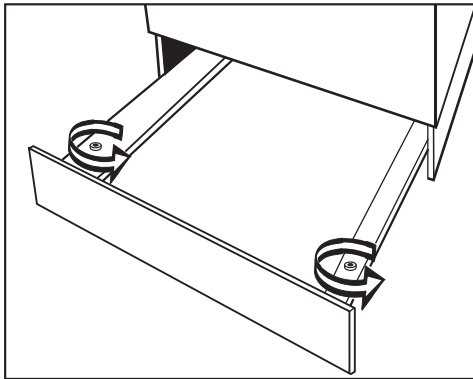


Aligning the appliance front


After installing the combination appliance it may be necessary to align the appliance front and/or even the gap between the plate warmer and the combination machine.

Flat washers are supplied beneath the knurled nuts, which fix the drawer to the telescopic runners.

- Loosen the knurled nuts and take the drawer out.
- Align and even the gap with the flat washers by changing their position (above or below the drawer), on both sides.



Electrical connection

 **CAUTION:** Before servicing, disconnect the power supply by either removing the fuse, shutting off the power main or manually "tripping" the circuit breaker.

Installation work and repairs should only be performed by a qualified technician in accordance with all applicable codes and standards. Repairs and service by unqualified persons could be dangerous.

Before connecting the appliance to the power supply, make sure that the voltage and frequency listed on the data plate correspond with the household electrical supply. This data must correspond to prevent machine damage. Consult an electrician if in doubt.

When another appliance is installed in combination with the warming drawer to the same circuit, operating both appliances at the same time may cause an overload. If in doubt consult a qualified electrician.

Power supply

This appliance is equipped with a 5 ft (1.5 m) long power cord with a three-prong grounding plug ready for connection to a 120 V, 15 A, 60 Hz power supply.

Further installation details are on the wiring diagram.

Help protect our environment

Disposal of packing materials

The cardboard box and packing materials are biodegradable and recyclable. Please recycle.

Ensure that any plastic wrappings, bags, etc. are disposed of safely and kept out of the reach of children.

Danger of suffocation!

Disposal of an old appliance

Old appliances contain materials that can be recycled. Please contact your local recycling authority about the possibility of recycling these materials.

Before discarding an old appliance disconnect it from the electrical supply and cut off the power cord to prevent it from becoming a hazard.

**Please have the model and serial number
of your appliance available before
contacting Technical Service.**



**U.S.A.
Miele, Inc.**

National Headquarters

9 Independence Way
Princeton, NJ 08540
Phone: 800-843-7231
609-419-9898
Fax: 609-419-4298
www.miele.com

**Technical Service & Support
Nationwide**

Phone: 800-999-1360
Fax: 888-586-8056
TechnicalService@mieleusa.com

**Canada
Miele Limited**

Headquarters and Showroom

161 Four Valley Drive
Vaughan, ON L4K 4V8
Phone: 800-643-5381
905-660-9936
Fax: 905-532-2290
www.miele.ca
professional@miele.ca
(commercial enquiries)

MieleCare National Service

Phone: 800-565-6435
905-532-2272
Fax: 905-532-2292
customercare@miele.ca
(general and technical enquiries)