

Crestron **IM-WCC**  
iMedia Wall Mount Computer Center  

---

Operations & Installation Guide



This document was prepared and written by the Technical Documentation department at:



Crestron Electronics, Inc.

15 Volvo Drive

Rockleigh, NJ 07647

1-888-CRESTRON

# Contents

<b>iMedia Wall Mount Computer Center: IM-WCC</b>	<b>1</b>
Introduction .....	1
Features and Functions.....	1
The iMedia System .....	1
Specifications .....	3
Physical Description.....	4
Industry Compliance .....	7
Setup.....	7
Network Wiring .....	7
Installation.....	7
Hardware Hookup .....	8
System Configuration.....	9
Problem Solving .....	10
Troubleshooting .....	10
Further Inquiries.....	10
Future Updates .....	10
Return and Warranty Policies.....	11
Merchandise Returns / Repair Service .....	11
CRESTRON Limited Warranty .....	11



# iMedia Wall Mount Computer Center: IM-WCC

---

## Introduction

### Features and Functions

The IM-WCC is part of the Crestron iMedia line of network devices, room control systems and signal routing solutions. The iMedia devices currently include two receivers, IM-RX1 and IM-RX3, and three transmitters, IM-WCC, IM-TCC, and IM-FTCC-B.

The iMedia Wall Mount Computer Center supports a single computer video and audio connection in a standard double gang electrical box.

This device uses iMedia (IM) technology utilizing a single CresCAT-IM cable to transmit computer RGB and stereo audio signals to a single projector or plasma display. A typical XGA signal (1024 X 768 pixels at 60Hz) can be transmitted up to 84 feet using iMedia, while higher resolutions up to 1600 x 1200 can be handled over shorter distances. Audio is transmitted digitally at 20-bit, 48 kHz resolution. To facilitate connection of audio, video, and computer equipment, all media, power and control signals are routed via a single CresCAT-IM cable for an uncomplicated installation.

---

**NOTE:** The IM-WCC is not a Cresnet<sup>®</sup> device.

---

#### *Functional Summary*

- One computer RGB input connector
- One computer audio input connector
- One iMedia RJ-45 output connector (on the rear side)
- Power on/off SELECT button and indicator
- Rotary local volume control

### The iMedia System

Using a new, proprietary signal routing solution, RGBHV, audio, power and control signals are all transported using a single cable solution called iMedia.

The iMedia transport system port is capable of managing computer RGB and audio signals simultaneously through one CresCAT-IM cable, simplifying installations.

Routing CresCAT-IM cable is less expensive and much simpler than routing multi-colored, multi-conductor coax cable. All Crestron products using the iMedia transport system are capable of sending and receiving iMedia signals via CresCAT-IM cable. Installation of any iMedia device is as simple as installing one iMedia cable from output to input. Installations are flexible, affordable, and fast.

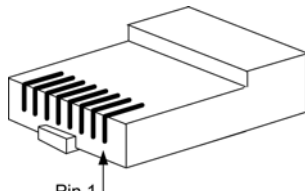
Up to three iMedia transmitters can be installed in an iMedia system. Pressing the SELECT button on any iMedia transmitter makes that input active, overriding the previously selected input. Holding the SELECT button for five seconds powers down the system.

The pin assignment is based on the EIA/TIA 568B RJ-45 Jack standard.

Power is supplied to the IM transmitters via the audio circuit.

To determine which pin is number 1, hold the cable so that the end of the eight pin modular jack is facing you, with clip down and copper side up. When looking down at the copper connections, pin 1 is on the far right.

#### *iMedia Pin Assignment*

<b>RJ-45 Male Connector</b>	<b>RJ-45 Pin Number</b>	<b>Wire Colors</b>	<b>iMedia Assignment RGB and Audio</b>
	1	White/Orange	- RGB Red
	2	Orange	+ RGB Red
	3	White/Green	- RGB Green
	4	Blue	+ Audio/Power
	5	White/Blue	- Audio/Power
	6	Green	+ RGB Green
	7	White/Brown	- RGB Blue
	8	Brown	+ RGB Blue

**NOTE:** Power is supplied to pins 4 and 5 from the IM-RX1 or IM-RX3.

#### **Signal Selection**

The VGA signal connected to the IM transmitter is delivered to the display device (e.g., projector) via the RGBHV output of an IM receiver (IM-RX1 or IM-RX3). Each IM transmitter possesses a SELECT button, which activates that input. The receiver automatically routes the last activated input to the RGB output and deactivates any prior selection. In addition, the display's power and input selection commands can be controlled via the IR or COM port.

#### **Video Resolution and Cable Length**

The receiver can accomplish frequency compensation on each input to achieve correct operation. This compensation scheme is effective for CresCAT-IM cables as long as the maximum skew of 15 ns per 100 m is not exceeded.

*Maximum Resolution and Cable Length*

<b>RESOLUTION</b>	<b>REFRESH RATE (HZ)</b>	<b>PIXEL RATE (MHZ)</b>	<b>PIXEL TIME (NS)</b>	<b>MAX LENGTH (FEET)</b>
VGA (640 X 480)	60	25.18	39.7	218.5
	72	31.50	31.7	174.6
	85	36.00	27.8	152.8
SVGA (800 X 600)	56	36.00	27.8	152.8
	72	50.00	20.0	110.0
	85	56.25	17.8	97.8
XGA (1024 X 768)	60	65.00	15.4	84.6
	70	75.00	13.3	73.3
	85	94.50	10.6	58.2
SXGA (1280 X 1024)	60	108.00	9.3	50.9
	75	135.00	7.4	40.7
	85	157.50	6.3	34.9
UXGA (1600 X 1200)	60	162.00	6.2	34.0
	70	189.00	5.3	29.1
	85	229.50	4.4	24.0

**Specifications**

Specifications for the IM-WCC are given in the following table.

*IM-WCC Specifications*

<b>SPECIFICATION</b>	<b>DETAILS</b>
Connectors	
Computer Input	(1) DB15HD Female
Computer Audio	(1) 3.5mm Mini-Jack, Computer Soundcard Type
iMedia Output	(1) RJ-45 CAT5E/CAT6
Ground	(1) Flying Ground Lead
Video Formats	RGBHV (VGA), RGBS, RGsB
RGB Video	R/G/B: 0 dB (Unity gain, 75 Ω termination), for 1.0 V <sub>p-p</sub> max input. Input Impedance 75 Ohms.
Gain / Bandwidth	Supports videos up to XGA @ 60 Hz vertical rate with maximum cable length of 84 feet and maximum compensation at receiver. For higher pixel resolutions (up to 1600 X 1200 pixels at 60 Hz vertical rate) refer to the chart on page 3.
H and V Sync	5 V <sub>p-p</sub> max into 1 K Ohm
Computer Associated Audio	
Max. Line level input	2 V <sub>RMS</sub>
Input Impedance	10 K Ohm
Level / Bandwidth	Audio Bandwidth 20 Hz to 20 KHz
Audio Analog/Digital conversion	20-bit, 48 kHz
Frequency Response	20 Hz to 20 kHz

*Continued on the following page*

*IM-WCC Specifications (continued)*

SPECIFICATION	DETAILS
Operating Temperature and Humidity	41° to 104° F (5° to 40° C) 10 to 90% relative humidity (non-condensing)
Dimensions and Weight	Width: 4.56 in (11.59 cm) Height: 4.50 in (11.43 cm) Depth: 2.81 in (7.13 cm) Weight: 0.85 lbs (0.39 kg)

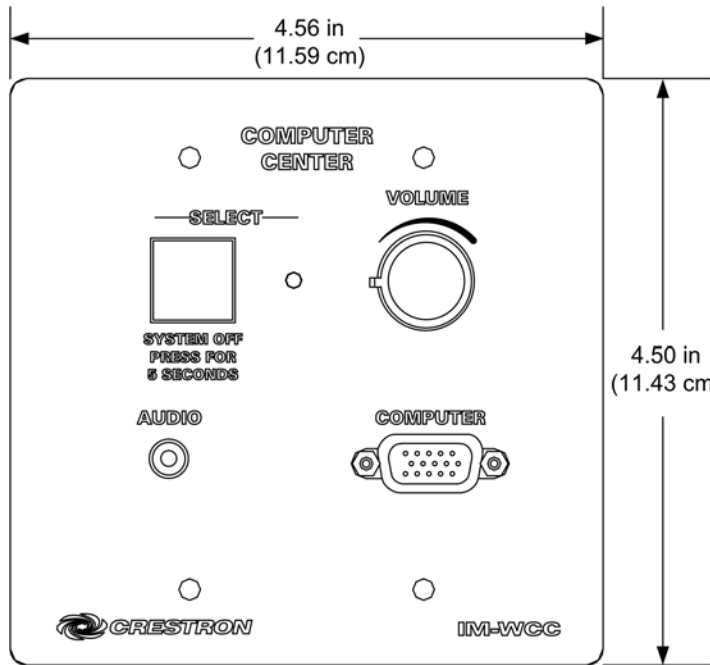
## Physical Description

The IM-WCC is a mountable plate with electronic components attached to the rear side. The front side of the plate is labeled and includes; one SELECT button, one VOLUME control, one COMPUTER DB15HD female connector and one AUDIO mini-jack connector. Refer to the following physical dimensions.

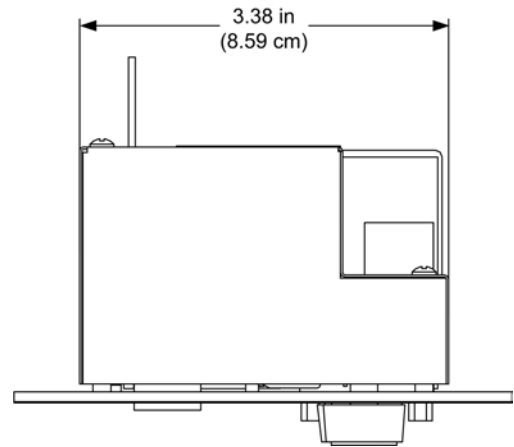
*IM-WCC Front View*



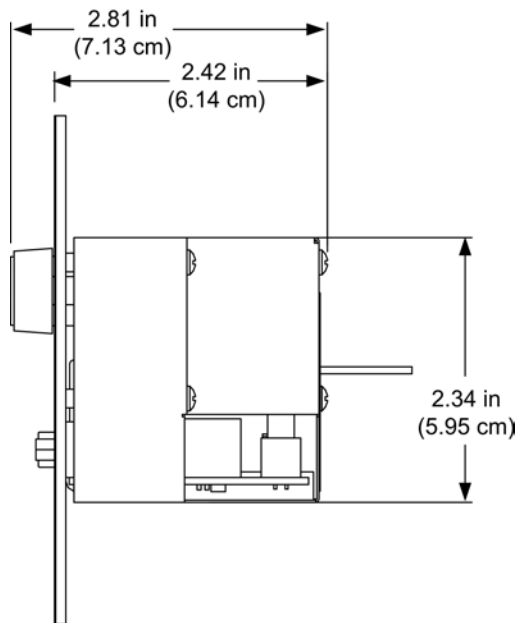
*Physical Dimensions - Front View*



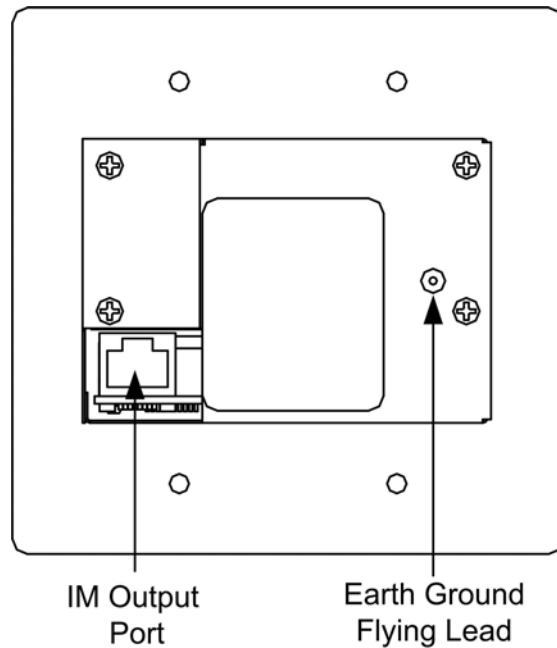
*Top View*



*Side View*

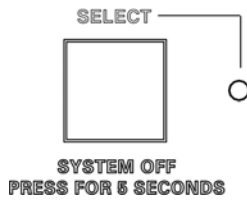


*Back View*



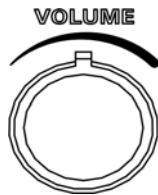
## Controls

### Select Button



The IM-WCC has one momentary select button and a power on/selected green LED indicator. Press to turn on the system and select this transmitter as the input to the iMedia receiver (IM-RX1 or IM-RX3). Press and hold for five seconds to power down the system. The LED blinks while powering down. When the LED stops blinking and the button is released, the unit powers down.

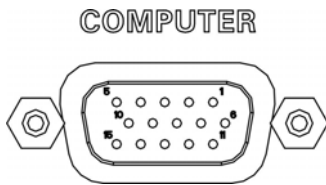
### Volume Control



The IM-WCC has a rotary local volume control. Adjusting this knob sets the audio level for the local input.

## Ports

### COMPUTER



This female DB15HD connector is used for connecting a computer's RGB video output to the display device. A corresponding 3.5mm mini-jack is provided for the computer sound card output.

- Maximum input voltage 1.0 V<sub>p-p</sub> (R/G/B), 5.0 V<sub>p-p</sub> (H/V)
- Input Impedance 75 Ohms (R/G/B), 1 k Ohms (H/V)

Refer to the following table for pin-assignments.

#### *RGB DB15HD Pin Assignments*

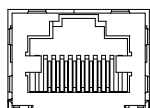
PIN	FUNCTION	PIN	FUNCTION
1	Red Video	9	No Connect
2	Green Video	10	Ground
3	Blue Video	11	No Connect
4	Reserved	12	Monitor Sense 1
5	Ground	13	Horizontal Sync
6	Red Ground	14	Vertical Sync
7	Green Ground	15	Monitor Sense 2
8	Blue Ground		

### AUDIO



The 3.5 mm computer audio connector provides an unbalanced stereo line-level audio input.

- Maximum input level 2 V<sub>RMS</sub>
- Input impedance 10 kΩ



***IM***

This unlabeled eight-pin RJ-45 transport port on the rear side of the IM-WCC allows connection of the iMedia cable. It carries audio and video signals over CresCAT-IM cable to an iMedia receiver (IM-RX1 or IM-RX3). For more information on iMedia cable length refer to the chart on page 3.

---

**NOTE:** Always use CresCAT-IM cable to make iMedia connections.

---

**Industry Compliance**

As of the date of manufacture, the IM-WCC has been tested and found to comply with specifications for CE marking and standards per EMC and Radiocommunications Compliance Labelling.




---

**NOTE:** This device complies with part 15 of the FCC rules. Operation is subject to the following two conditions: (1) this device may not cause harmful interference, and (2) this device must accept any interference received, including interference that may cause undesired operation.

---

**Setup**

**Network Wiring**

---

**CAUTION:** In order to ensure optimum performance over the full range of your installation topology, Crestron Certified Wire, and only Crestron Certified Wire, should be used. Failure to do so, may incur additional charges if support is required to identify performance deficiencies as a result of using improper wire.

**CAUTION:** Use only Crestron power supplies for Crestron equipment. Failure to do so could cause equipment damage or void the Crestron warranty.

---

**Installation**

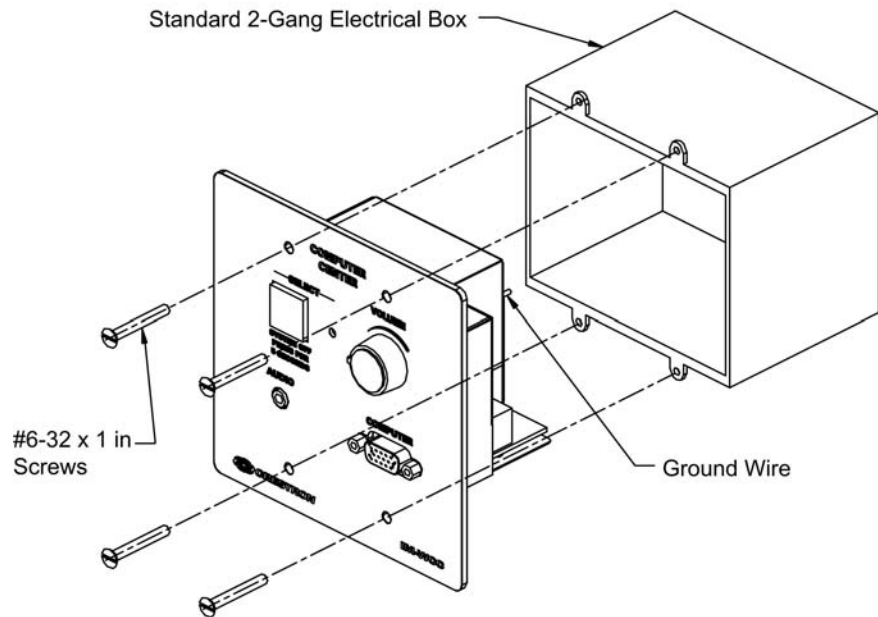
The IM-WCC is designed to mount in a standard 2.5-inch (6.35 cm) deep, double-gang, electrical box.

Tools Required

- Phillips screwdriver
- Small flat-blade screwdriver (for connecting the VGA cable)

***Mounting Parts Supplied with the IM-WCC***

PART DESCRIPTION	QUANTITY
Screw #6-32 x 1 in, Pan Head, Phillips	4

*Installation in a 2-Gang Electrical Box***Hardware Hookup**

Refer to the following hookup diagram and, aside from attaching power last, complete the connections in any order.

---

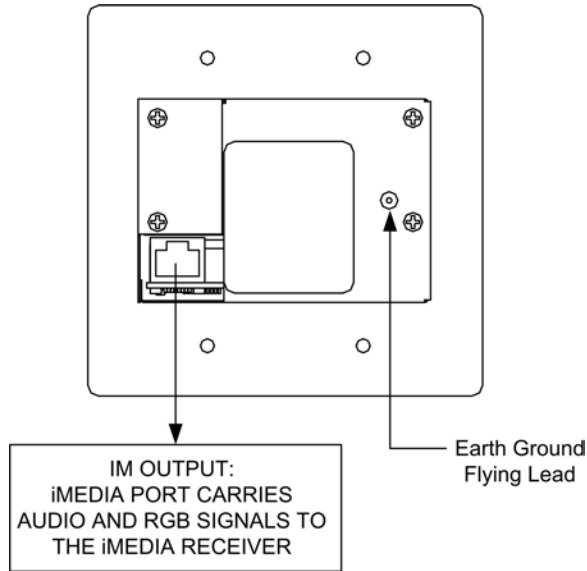
**NOTE:** To prevent overheating, do not operate this product in an area that exceeds the environmental temperature range listed in the specifications table. Consideration must be given if installed in a closed or multi-unit rack assembly, inside a closed desk, or in a closed podium since the operating ambient temperature of these environments may be greater than the room ambient. Contact with thermal insulating materials should be avoided on all sides of the unit.

**NOTE:** The maximum continuous current from equipment under any external load conditions shall not exceed a current limit that is suitable for the minimum wire gauge used in interconnecting cables. The ratings on the connecting unit's supply input should be considered to prevent overloading the wiring.

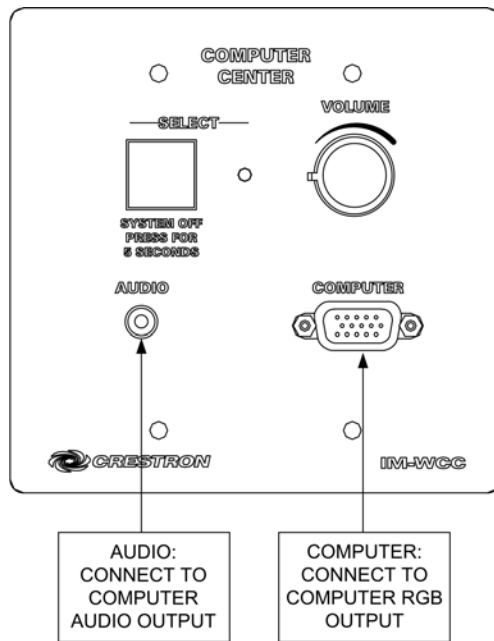
**NOTE:** Connect the flying ground lead to earth ground.

---

*Rear Side Connection*



*Front Side Connections*



**System Configuration**

Refer to the latest version of the IM-RX1 & IM-RX3 Operations and Installation Guide (Doc. 6384), available from the Crestron website (<http://www.crestron.com/manuals>) for detailed IM system configuration instructions.

## Problem Solving

### Troubleshooting

The following table provides corrective action for possible trouble situations. If further assistance is required, please contact a Crestron customer service representative.

#### *IM-WCC Troubleshooting*

<b>TROUBLE</b>	<b>POSSIBLE CAUSE(S)</b>	<b>CORRECTIVE ACTION</b>
PWR LED does not illuminate.	Not receiving power.	Verify that the iMedia cable and the AC cable are properly attached.
	Incorrect power supply.	Only use Crestron power supplies.
No video output displayed.	Incorrect cable connection.	Verify computer cable connection.
		Verify iMedia output cable connection is secure.
Video from RGB source is garbled or no output.	Incorrect cable connections.	Verify 15-pin computer cable connection. Verify iMedia output cable connections.
		Verify maximum iMedia cable length.
Button does not function when pressed.	Incorrect cable connection.	Verify that the iMedia output cable connection is secure.
Other functions operate, but does not control the projector.	Connections to projector.	Verify cable wiring and connections between receiver and projector.

### Further Inquiries

If you cannot locate specific information or have questions after reviewing this guide, please take advantage of Crestron's award winning customer service team by calling the Crestron corporate headquarters at 1-888-CRESTRON [1-888-273-7876]. For assistance in your local time zone, refer to the Crestron website ([www.crestron.com](http://www.crestron.com)) for a listing of Crestron worldwide offices.

You can also log onto the online help section of the Crestron website to ask questions about Crestron products. First-time users will need to establish a user account to fully benefit from all available features.

### Future Updates

As Crestron improves functions, adds new features, and extends the capabilities of the IM-WCC, additional information may be made available as manual updates. These updates are solely electronic and serve as intermediary supplements prior to the release of a complete technical documentation revision.

Check the Crestron website periodically for manual update availability and its relevance. Updates are identified as an "Addendum" in the Download column.

---

## Return and Warranty Policies

### Merchandise Returns / Repair Service

1. No merchandise may be returned for credit, exchange, or service without prior authorization from CRESTRON. To obtain warranty service for CRESTRON products, contact the factory and request an RMA (Return Merchandise Authorization) number. Enclose a note specifying the nature of the problem, name and phone number of contact person, RMA number, and return address.
2. Products may be returned for credit, exchange, or service with a CRESTRON Return Merchandise Authorization (RMA) number. Authorized returns must be shipped freight prepaid to CRESTRON, 6 Volvo Drive, Rockleigh, N.J. 07647, or its authorized subsidiaries, with RMA number clearly marked on the outside of all cartons. Shipments arriving freight collect or without an RMA number shall be subject to refusal. CRESTRON reserves the right in its sole and absolute discretion to charge a 15% restocking fee, plus shipping costs, on any products returned with an RMA.
3. Return freight charges following repair of items under warranty shall be paid by CRESTRON, shipping by standard ground carrier. In the event repairs are found to be non-warranty, return freight costs shall be paid by the purchaser.

### CRESTRON Limited Warranty

CRESTRON ELECTRONICS, Inc. warrants its products to be free from manufacturing defects in materials and workmanship under normal use for a period of three (3) years from the date of purchase from CRESTRON, with the following exceptions: disk drives and any other moving or rotating mechanical parts, pan/tilt heads and power supplies are covered for a period of one (1) year; touchscreen display and overlay components are covered for 90 days; batteries and incandescent lamps are not covered.

This warranty extends to products purchased directly from CRESTRON or an authorized CRESTRON dealer. Purchasers should inquire of the dealer regarding the nature and extent of the dealer's warranty, if any.

CRESTRON shall not be liable to honor the terms of this warranty if the product has been used in any application other than that for which it was intended, or if it has been subjected to misuse, accidental damage, modification, or improper installation procedures. Furthermore, this warranty does not cover any product that has had the serial number altered, defaced, or removed.

This warranty shall be the sole and exclusive remedy to the original purchaser. In no event shall CRESTRON be liable for incidental or consequential damages of any kind (property or economic damages inclusive) arising from the sale or use of this equipment. CRESTRON is not liable for any claim made by a third party or made by the purchaser for a third party.

CRESTRON shall, at its option, repair or replace any product found defective, without charge for parts or labor. Repaired or replaced equipment and parts supplied under this warranty shall be covered only by the unexpired portion of the warranty.

Except as expressly set forth in this warranty, CRESTRON makes no other warranties, expressed or implied, nor authorizes any other party to offer any warranty, including any implied warranties of merchantability or fitness for a particular purpose. Any implied warranties that may be imposed by law are limited to the terms of this limited warranty. This warranty statement supercedes all previous warranties.

#### Trademark Information

*All brand names, product names, and trademarks are the sole property of their respective owners. Windows is a registered trademark of Microsoft Corporation. Windows95/98/Me/XP and WindowsNT/2000 are trademarks of Microsoft Corporation.*



Crestron Electronics, Inc.  
15 Volvo Drive Rockleigh, NJ 07647  
Tel: 888.CRESTRON  
Fax: 201.767.7576  
[www.crestron.com](http://www.crestron.com)

Operations & Installation Guide – DOC. 6382  
(2013230)  
07.05

Specifications subject to  
change without notice.