



Excellent Sound Quality CD/Memory Stick Receiver with MP3/WMA

MODEL **CD 8445E**

Superb Sound Quality CD Receiver with MP3

MODEL **CD 5425E**

English

INSTALLATION MANUAL

Be sure to read this installation manual thoroughly before carrying out installation and making connections. If installation methods or non-standard parts that are not specified in this installation manual are used, accidents or injury may result.

Professional installation is recommended, contact the place of purchase to schedule an appointment. After reading the owner's manual and the installation manual thoroughly, keep them in a safe place for later reference.

To dealers:

Give this installation manual to the customer after installation and connections have been completed.

Contents

Before installation

Components 2

For your safety in using the CD8445E or CD5425E 3

Connections

Names and functions of terminals 4

System connection example 6

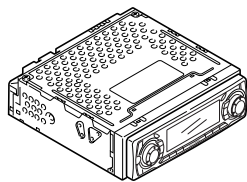
Installation

Installing the main unit 7

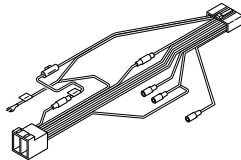
Components

Check that all of the following components are present

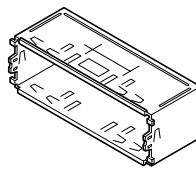
Main unit components



① Main unit x 1



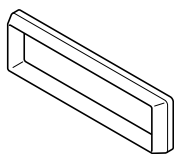
② Interconnecting cable
(Power and speaker connector)
(16P) x 1



③ Mounting sleeve
x 1



④ Side bracket
x 2



⑤ Bezel
x 1



⑥ Hex-head bolt
(Red:M5x8) x 4



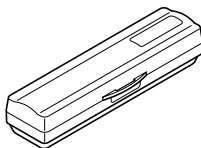
⑦ Flat head screw
(Red:M5x8) x 4



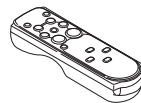
⑧ Stud bolt
x 1



⑨ Bushing
x 1



⑩ Case
(For detachable panel)x 1



*⑪ Remote control
(Only included with CD8445E) x 1

*The remote control is only included with the CD8445E. It is not included with the CD5425E.



Tip

When installing the main unit, some vehicle models may require the use of items that need to be obtained separately such as a power supply adaptor cable, radio antenna adaptor cable or mounting bracket.

For your safety in using the CD8445E or CD5425E

Warning and caution signs, illustrated below, are posted throughout this manual as well as on the CD8445E and CD5425E. They show safe and correct ways to handle the product so as to prevent personal injury to you and others and to avoid damage to property.

Before reading through the manual, take time to read through and learn the important information listed in this section.



Warning

This sign indicates a situation in which incorrect handling through disregard of a sign might result in death or serious personal injury.



Caution

This sign indicates a situation in which incorrect handling through disregard of a sign might result in personal injury or may result solely in damage to property.



Tip

This section contains information that can help to prevent problems and damage to the unit, and also contains other useful information.

Warning

- This equipment requires 12V DC and should only be installed in a vehicle with a 12V negative earth electrical system. Any other installation may cause a fire or other severe damage to the equipment and the vehicle.
- When installing equipment, do not remove or alter existing vehicle fasteners, including nuts, bolts, screws, clips, and fittings. Never detach, move or alter existing vehicle wiring, including electrical grounds and straps. Alteration of existing vehicle components may make the vehicle unsafe to operate.
- Before installation, remove the negative \ominus battery terminal to prevent shocks, electrical arcing, fires, and damage to vehicle wiring and the equipment you are installing.
- Secure wiring with tape or plastic ties so that wires do not interfere with vehicle operation, including brake pedal, gear shifter and steering. Position wires so that they will not be rubbed, abraded, or damaged by moving vehicle components, including power seats.
- To avoid equipment and vehicle damage, including fire, never supply power to installed equipment in a way which will overload the capacity of an existing vehicle circuit. Never leave a power supply wire or connection uninsulated. Always install supplied fuses, circuit breakers, and relays
- Air bags are vital safety equipment. Never install equipment in a way which will alter air bag wiring or interfere with air bag deployment. Air bags must function properly in the event of an accident.
- For your protection, never use a power drill without safety glasses or goggles. Debris or broken drill bits may cause severe eye injuries, including blindness.
- Use electrical tape to insulate the ends of all wires, even if not used. Proper insulation prevents arcs, shocks and fires.
- Do not disassemble or alter this equipment. Accidents, fires or shocks may result.
- Always replace fuses with fuses of identical capacity and characteristics. Never use a higher-rated fuse than the original. Using the wrong type of fuse may cause a fire or severe damage.
- Do not modify this system for use other than that specified herein. Also, do not deviate from the installation procedures described herein; Eclipse will not be held liable for damages including, but not limited to serious injury, death or property damage resulting from installations that enable unintended operation.

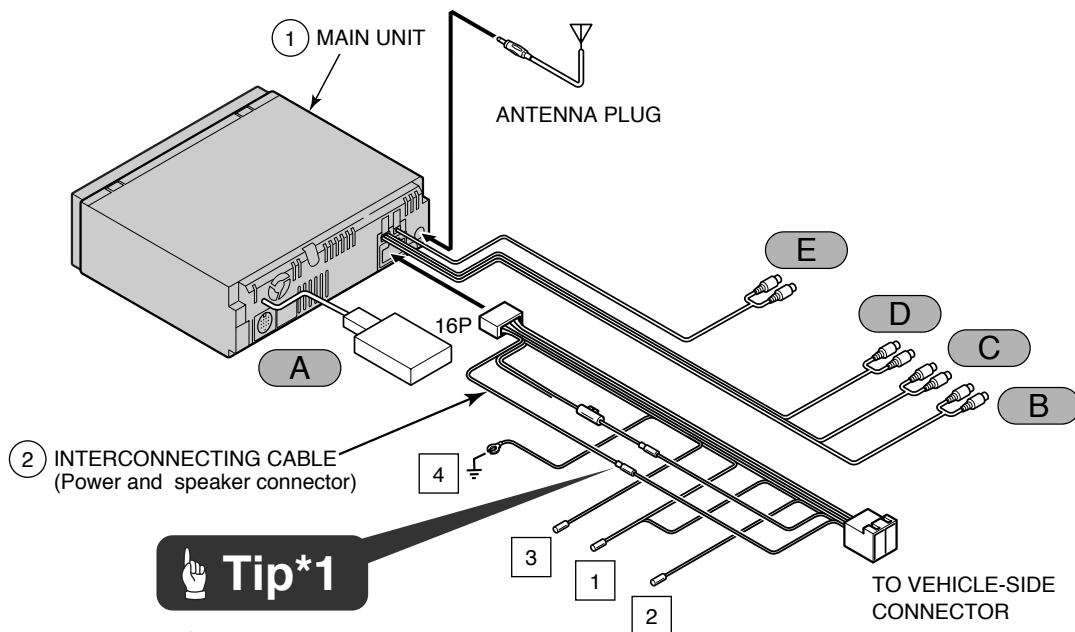
Caution

- Wiring and installing this equipment requires expertise and experience. Professional installation is recommended. Consult with your dealer or a professional installer. Incorrect wiring may damage the equipment or interfere with safe vehicle operation.
- Use only the accessory parts as specified. Using other parts may cause damage to the equipment or cause parts to fall or fly off the equipment.
- Do not install the unit in places where it may get dew condensation on (around the air conditioning hose, etc.), come in contact with water, or in conditions of high moisture, dust or oily smoke. If water, moisture, dust or oily smoke enters this unit, smoke, fires or malfunctions may result.
- Avoid installing in places where it cannot be fastened securely or where there are strong vibrations. Also, if you installed the unit with double-sided tape, first wipe away dirt and wax from the installation area. Otherwise, the unit may come loose due to vibration while driving, causing problems for driving and resulting in traffic accidents or injuries.
- Do not install in places with direct sunlight or where it will be hit directly by hot air from the heater. This may increase the temperature of the interior of this equipment, resulting in fires and malfunctions.
- Do not block the fan, heat sink or vents for this unit. When fan, heat sink or vent are blocked, the interior overheats, and fires may result.
- Connect as specified in the installation manual. If not connected normally, fires or accidents may result.
- When installing in vehicles equipped with air bags, check the manufacturer's cautions regarding operation before operating. Airbags may not operate properly.
- Carry out the wiring such that cords are not pinched by movable parts such as seat rails, and screw parts of the vehicle body. Accidents, fires and shocks may result from disconnection and electrical shorts.
- Carry out the wiring such that the cord does not make contact with metal parts. The cord may be damaged by contact with metal parts, resulting in fire and shocks.
- Avoid hot surfaces when wiring equipment. High temperatures may damage wiring, causing shorts, arcing and fires.
- When changing the installation location for this equipment, please consult the dealer where you bought it for safety reasons. Expertise is necessary for removal and installation.

Names and functions of terminals

⚠ Warning

- Never cut the insulation on the power cable or use it to power any other equipment. If the rated current capacity of the power cable is exceeded, fire and electric shocks may result.
- The cables should be secured with tape or a similar securing method to prevent any obstructions while driving. If they get wound or entangled around components such as the steering wheel, shifting lever, or brake pedal, accidents may result.
- If removing the end of the cord to connect to another cord, be sure to wrap PVC tape or a similar wire insulating method around the connection to insulate it. If the connection is not insulated, fire or accidents may result.



Tip*1

Tip*1

- The positions of the B+ and ACC pins on the connector may vary depending on the vehicle. In such cases, replace the end of the connector. Ask your dealer for details on connector pin positions.

Tip

- This illustration shows the CD8445E. The CD5425E differs slightly from this illustration.
- Refer to page 5 for details on the wire colours and connection points for interconnecting cables ②.
- Refer to page 5 for details on connection points A to E for the main unit cables and terminals.

◆Wire colours and connection points for connection cables ②

1 Antenna power supply (Blue)

Connect to the automatic-antenna control terminal of the vehicle.

2 Control power supply (Blue/White)

Connect the control terminal for the external amplifier, etc.

3 Cellular phone mute Wire (Pink)

Connect to the earth output terminal on a mobile phone.

4 Earth (Black)

Connect where good body earthing is available.

◆Main unit connections

A

E-LAN terminal (13P)

Connect to the E-LAN terminal of the CD changer, etc.

B

Front line-out terminal

Connect to the RCA connector of an external amplifier.

C

Rear line-out terminal

Connect to the RCA connector of an external amplifier.

D

Line-out terminal (Non fader)

This is used for non fader output. It can be used as a sub-woofer terminal if a separate amplifier with a low bass filter is connected.

E

AUX in terminals (CD8445E only)

Connect if using together with portable audio equipment that is sold separately.

* If the output from the connected equipment is via a mini plug, it will need to be converted to RCA.

– If installing to a vehicle with no ACC position –



Tip

- If installing to a vehicle with no ACC position, be sure to explain the following to the customer when handing back the vehicle.
“When getting out of the vehicle, be sure to press the [PWR] button on the main unit for 2 seconds or more while the power is still on, and then turn off the power.” If they forget to turn off the power, the battery will be drained.

– Vehicle connections –



Tip

- You will need to purchase the necessary component adapter cable for the vehicle so that the power supplies can be utilised. (Contact the dealer for further details.)

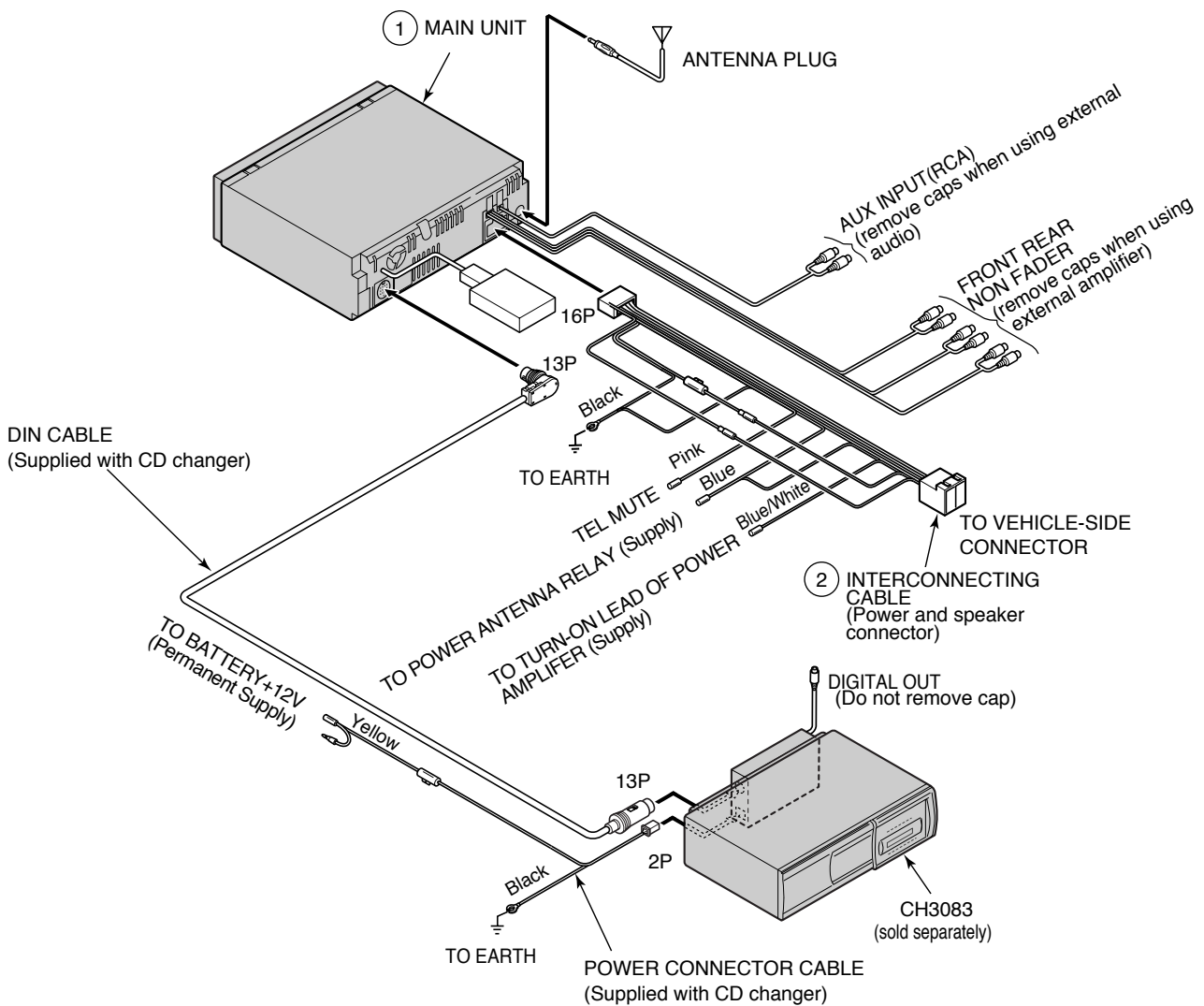
System connection example

⚠ Warning

- Never cut the insulation on the power cable or use it to power any other equipment. If the rated current capacity of the power cable is exceeded, fire and electric shocks may result.
- The cables should be secured with tape or a similar securing method to prevent any obstructions while driving. If they get wound or entangled around components such as the steering wheel, shifting lever, or brake pedal, accidents may result.
- If removing the end of the cord to connect to another cord, be sure to wrap PVC tape or a similar wire insulating method around the connection to insulate it. If the connection is not insulated, fire or accidents may result.

👉 Tip

- Install and connect all of the peripheral units before connecting them to the main unit.
- Do not remove any of the protective caps (RCA, etc.) unless in use.

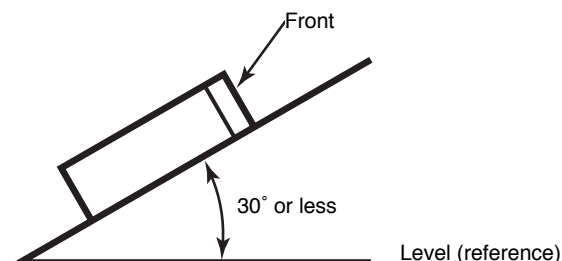


Installing the main unit

- Installation angle -

Tip

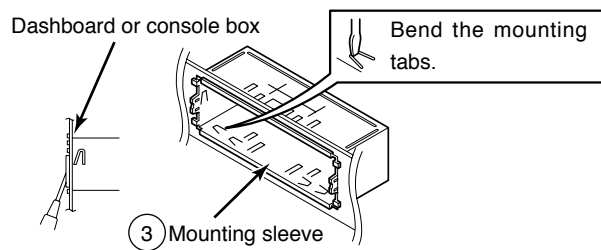
To maintain proper function, the unit must be mounted at less than 30 degrees. If the angle is in excess of 30 degrees, CD skipping or ejection may occur.



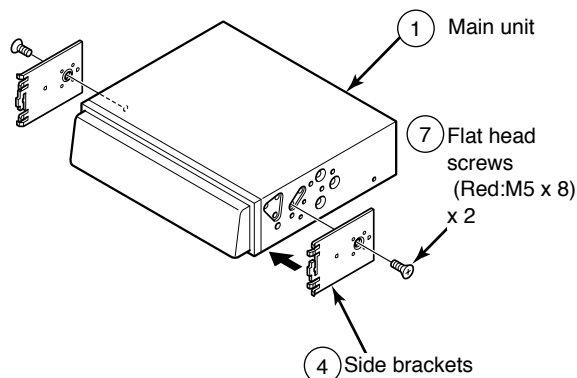
- Main unit installation example (If installing the main unit using the mounting sleeve) -

Tip

- Carefully bind any excess length of cord that is connected to the main unit and secure it to an area of empty space in the vehicle so that it does not move around or get caught in the main unit or vehicle-side equipment. If the cords are not handled correctly, operating problems or short-circuits may occur, and this may result in the danger of fire or other accidents.
- Connect all cables before installing the main unit.



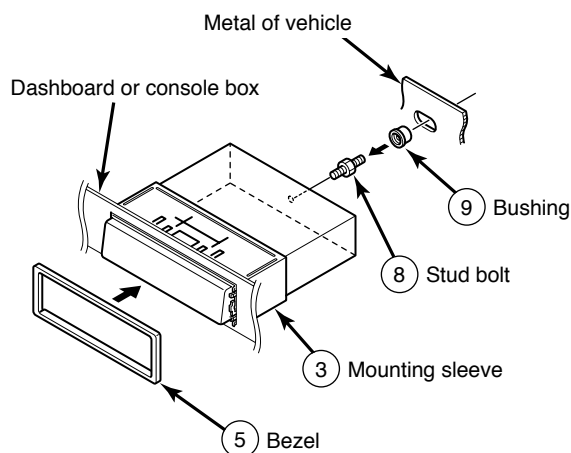
- 1 Insert the mounting sleeve into the opening in the vehicle dashboard or console box.
- 2 Use a screwdriver or the like to bend the tabs in the mounting sleeve to secure the mounting sleeve.
- 3 Attach the side brackets to the main unit using flathead screws.



Tip

Be sure to use the supplied accessory mounting screws (Red: M5 x 8) as the mounting screws. If any other screws are used, they may damage the inside of the unit.

- 4 Mount the stud bolt to the main unit.
- 5 Insert the main unit into the mounting sleeve until it locks in place.
- 6 Fasten the rear of the main unit.
- 7 Install the bezel on the main unit.



Tip

- Be careful not to forcefully push on the main unit's display or buttons during installation. This may result in damage to the main unit.
- This installation method is only one example. When installing the main unit to the vehicle, be sure to ask the place of purchase for information on what installation method to use.

- Main unit installation example (If installing the main unit using the side brackets of the vehicle) -

 **Tip**

- Carefully bind any excess length of cord that is connected to the main unit and secure it to an area of empty space in the vehicle so that it does not move around or get caught in the main unit or vehicle-side equipment. If the cords are not handled correctly, operating problems or short-circuits may occur, and this may result in the danger of fire or other accidents.
- Connect all cables before installing the main unit.

- 1 Remove the pocket and any other accessories from the centre cluster to make room for the main unit.
- 2 Remove the mounting brackets for the pocket.
- 3 Attach the brackets to the main unit.

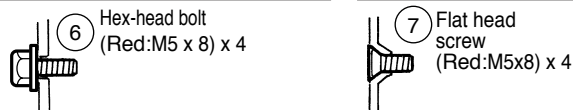
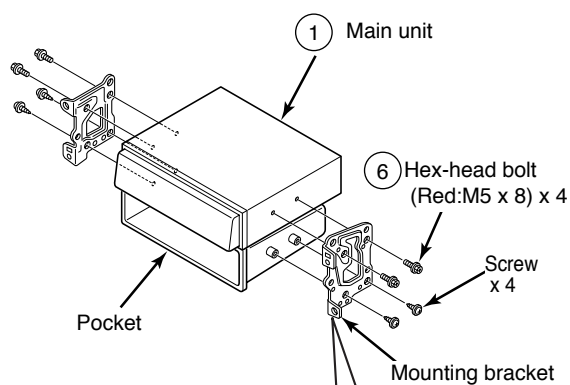
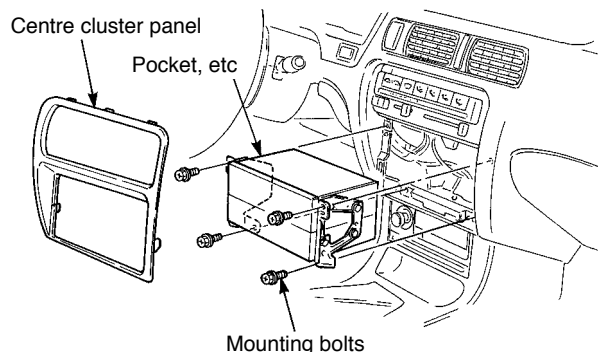
 **Tip**

Be sure to use the supplied accessory mounting screws (Red:M5 x 8) as the mounting screws. If any other screws are used, they may damage the inside of the unit.

- 4 Install the main unit in the vehicle.

 **Tip**

- Be careful not to forcefully push on the main unit's display or buttons during installation. This may result in damage to the main unit.
- This installation method is only one example. When installing the main unit to the vehicle, be sure to ask the place of purchase for information on what installation method to use.



Select the screws in accordance with the shapes of the screw holes in the mounting bracket.