

# MLG32PDB Installation Manual

## 30 lb Stacked Model

**WARNING:** For your safety the information in this manual must be followed to minimize the risk of fire or explosion and to prevent property damage, personal injury or death.

- Do not store or use gasoline or other flammable vapors and liquids in the vicinity of this or any other appliance.
- **WHAT TO DO IF YOU SMELL GAS:**
  - Do not try to light any appliance.
  - Do not touch any electrical switch; do not use any phone in your building.
  - Clear the room, building or area of all occupants.
  - Immediately call your gas supplier from a neighbor's phone. Follow the gas supplier's instructions.
  - If you cannot reach your gas supplier, call the fire department.
- Installation and service must be performed by a qualified installer, service agency or the gas supplier.

**AVERTISSEMENT:** Assurez-vous de bien suivre les instructions données dans cette notice pour réduire au minimum le risque d'incendie ou d'explosion ou pour éviter tout dommage matériel, toute blessure ou la mort.

- Ne pas entreposer ni utiliser d'essence ni d'autres vapeurs ou liquides inflammables à proximité de cet appareil ou de tout autre appareil.
- **QUE FAIRE SI VOUS SENTEZ UNE ODEUR DE GAZ:**
  - Ne pas tenter d'allumer d'appareils.
  - Ne touchez à aucun interrupteur. Ne pas vous servir des téléphones se trouvant dans le bâtiment.
  - Évacuez la pièce, le bâtiment ou la zone.
  - Appelez immédiatement votre fournisseur de gaz depuis un voisin. Suivez les instructions du fournisseur.
  - Si vous ne pouvez rejoindre le fournisseur de gaz, appelez le service des incendies.
- L'installation et l'entretien doivent être assurés par un installateur ou un service d'entretien qualifié ou par le fournisseur de gaz.

# MAYTAG



**RETAIN THESE  
INSTRUCTIONS IN A  
SAFE PLACE FOR  
FUTURE REFERENCE**

# Retain This Manual In A Safe Place For Future Reference

Our products embody advanced concepts in engineering, design, and safety. If this product is properly maintained, it will provide many years of safe, efficient, and trouble free operation.

*ONLY qualified technicians should service this equipment.*

**OBSERVE ALL SAFETY PRECAUTIONS** displayed on the equipment or specified in the installation manual included with the dryer.

The following “**FOR YOUR SAFETY**” caution **must be** posted near the dryer in a prominent location.

**FOR YOUR SAFETY**

Do not store or use gasoline or other flammable vapors and liquids in the vicinity of this or any other appliance.

**POUR VOTRE SÉCURITÉ**

Ne pas entreposer ni utiliser d'essence ni d'autres vapeurs ou liquides inflammables à proximité de cet appareil ou de tout autre appareil.

We have tried to make this manual as complete as possible and hope you will find it useful. The manufacturer reserves the right to make changes from time to time, without notice or obligation, in prices, specifications, colors, and material, and to change or discontinue models.

## Important

For your convenience, log the following information:

**DATE OF PURCHASE** \_\_\_\_\_ **MODEL NO.** **MLG32PDB**

**DEALER'S NAME** \_\_\_\_\_

**Serial Number(s)** \_\_\_\_\_

\_\_\_\_\_

\_\_\_\_\_

For replacement parts, contact the dealer from which the dryer was purchased or contact:

**MAYTAG CO.**  
Benton Harbor, MI  
1-800-662-3587

**“IMPORTANT NOTE TO PURCHASER”**

Information **must be** obtained from your local gas supplier on the instructions to be followed if the user smells gas. These instructions **must be** posted in a prominent location near the dryer.

## **IMPORTANT**

**YOU MUST DISCONNECT AND LOCKOUT THE ELECTRIC SUPPLY AND THE GAS SUPPLY OR THE STEAM SUPPLY BEFORE ANY COVERS OR GUARDS ARE REMOVED FROM THE MACHINE TO ALLOW ACCESS FOR CLEANING, ADJUSTING, INSTALLATION, OR TESTING OF ANY EQUIPMENT PER OSHA (Occupational Safety and Health Administration) STANDARDS.**

“Caution: Label all wires prior to disconnection when servicing controls. Wiring errors can cause improper operation.”

«Attention: Au moment de l'entretien des commandes, étiquetez tous les fils avant de les débrancher. Des erreurs de câblage peuvent entraîner un fonctionnement inadéquat et dangereux.»

## **CAUTION**

**DRYERS SHOULD NEVER BE LEFT UNATTENDED WHILE IN OPERATION.**

## **WARNING**

**CHILDREN SHOULD NOT BE ALLOWED TO PLAY ON OR NEAR THE DRYER(S).  
CHILDREN SHOULD BE SUPERVISED IF NEAR DRYERS IN OPERATION.**

## **FOR YOUR SAFETY**

**DO NOT DRY MOP HEADS IN THE DRYER.**

**DO NOT USE DRYER IN THE PRESENCE OF DRY CLEANING FUMES.**

## **WARNING**

**UNDER NO CIRCUMSTANCES should the dryer door switches, lint door switches, or heat safety circuits ever be disabled.**

### **WARNING**

The dryer *must never be* operated with any of the back guards, outer tops, or service panels removed. **PERSONAL INJURY OR FIRE COULD RESULT.**

### **WARNING**

**DRYER *MUST NEVER BE* OPERATED WITHOUT THE LINT FILTER/SCREEN IN PLACE, EVEN IF AN EXTERNAL LINT COLLECTION SYSTEM IS USED.**

### **IMPORTANT**

**PLEASE OBSERVE ALL SAFETY PRECAUTIONS displayed on the equipment and/or specified in the installation manual included with the dryer.**

Dryer *must not be* installed or stored in an area where it **will be** exposed to water or weather.

The wiring diagram for the dryer is located in the front electrical control box area.

### **IMPORTANT**

Dryer *must be* installed in a location/environment, which the ambient temperature remains between 40° F (4.44° C) and 130° F (54.44° C).

# Table of Contents

## SECTION I

### IMPORTANT INFORMATION ..... 3

- A. Receiving and Handling ..... 3
- B. Safety Precautions ..... 4

## SECTION II

### SPECIFICATIONS ..... 6

- A. Specifications ..... 6

## SECTION III

### INSTALLATION PROCEDURES ..... 8

- A. Unpacking/Setting Up ..... 8
- B. Location of the Dryer ..... 8
- C. Dryer Enclosure Requirements ..... 10
- D. Fresh Air Supply Requirements ..... 10
- E. Exhaust Requirements ..... 12
- F. Electrical Information ..... 16
- G. Gas Information ..... 19
- H. Preparation for Operation ..... 22
- I. Preoperational Tests ..... 22
- J. Shutdown Instructions ..... 24

## SECTION IV

### OPERATING INSTRUCTIONS ..... 25

- A. Starting the Dryer ..... 25

## SECTION V

### SERVICE/PARTS INFORMATION ..... 26

- A. Service ..... 26
- B. Parts ..... 26

**SECTION VI**  
**WARRANTY INFORMATION ..... 27**  
A. Returning Warranty Cards ..... 27  
B. Warranty ..... 27

**SECTION VII**  
**ROUTINE MAINTENANCE ..... 28**  
A. Cleaning ..... 28  
B. Adjustments ..... 29  
C. Lubrication ..... 29

**SECTION VIII**  
**DRYER DATA LABEL INFORMATION ..... 30**  
A. Data Label Location ..... 30  
B. Data Label ..... 31

# SECTION I

## IMPORTANT INFORMATION

### A. RECEIVING AND HANDLING

The dryer is shipped in a protective stretch wrap cover with protective cardboard corners and top cover (or optional box) as a means of preventing damage in transit. Upon delivery, the dryer and packaging, and wooden skid **should be** visually inspected for shipping damage. If any damage is noticed, inspect further before delivering carrier leaves.

Dryers damaged in shipment:

1. **ALL** dryers **should be** inspected upon receipt and before they are signed for.
2. If there is suspected damage or actual damage, the trucker's receipt **should be** so noted.
3. If the dryer is damaged beyond repair, it **should be** refused. Those dryers, which were not damaged in a damaged shipment, **should be** accepted, but the number received and the number refused **must be** noted on the receipt.
4. If you determine that the dryer was damaged after the trucker has left your location, you should call the delivering carrier's freight terminal immediately and file a claim. The freight company considers this concealed damage. This type of freight claim is very difficult to get paid and becomes extremely difficult when more than a day or two passes after the freight was delivered. It is your responsibility to file freight claims. Dryer or parts damaged in transit **cannot** be claimed under warranty.
5. Freight claims are the responsibility of the consignee, and **ALL** claims **must be** filed at the receiving end. The manufacturer assumes no responsibility for freight claims or damages.

**IMPORTANT:** The basket (tumbler) section of the dryer **must be** transported and handled in an upright position at **ALL** times.

## B. SAFETY PRECAUTIONS

**WARNING:** For your safety, the information in this manual *must be* followed to minimize the risk of fire or explosion or to prevent property damage, personal injury, or loss of life.

**WARNING:** The dryer *must never be* operated with any of the back guards, outer tops, or service panels removed. **PERSONAL INJURY OR FIRE COULD RESULT.**

1. **DO NOT** store or use gasoline or other flammable vapors and liquids in the vicinity of this or any other appliance.
2. Purchaser or user should consult the local gas supplier for proper instructions to be followed in the event the user smells gas. The instructions **should be** posted in a prominent location.
3. WHAT TO DO IF YOU SMELL GAS...
  - a. **DO NOT** try to light any appliance.
  - b. **DO NOT** touch any electrical switch.
  - c. **DO NOT** use any phone in your building.
  - d. Clear the room, building, or area of **ALL** occupants.
  - e. Immediately call your gas supplier from a neighbor's phone. Follow the gas supplier's instructions.
  - f. If you **cannot** reach your gas supplier, call the fire department.
4. Installation and service **must be** performed by a qualified installer, service agency, or gas supplier.
5. Dryers **must be** exhausted to the outdoors.
6. Although this dryer is a very versatile dryer, there are some articles that, due to fabric composition or cleaning method, **should not be** dried in it.

**WARNING:** Dry only water washed fabrics. **DO NOT** dry articles spotted or washed in dry cleaning solvents, a combustible detergent, or "all purpose" cleaner. **EXPLOSION COULD RESULT.**

**WARNING:** **DO NOT** dry rags or articles coated or contaminated with gasoline, kerosene, oil, paint, or wax. **EXPLOSION COULD RESULT.**

**WARNING:** **DO NOT** dry mop heads. Contamination by wax or flammable solvents will create a fire hazard.

**WARNING:** **DO NOT** use heat for drying articles that contain plastic, foam, sponge rubber, or similarly textured rubber materials. Drying in a heated basket (tumbler) may damage plastics or rubber and may be a fire hazard.



7. A program **should be** established for the inspection and cleaning of lint in the heating unit area, exhaust ductwork, and inside the dryer. The frequency of inspection and cleaning can best be determined from experience at each location.

**WARNING:** The collection of lint in the burner area and exhaust ductwork can create a potential fire hazard.

8. For personal safety, the dryer **must be** electrically grounded in accordance with local codes and/or the National Electrical Code ANSI/NFPA NO. 70-LATEST EDITION or in Canada, the Canadian Electrical Codes Parts 1 & 2 CSA C22.1-1990 or LATEST EDITION.

**NOTE:** Failure to do so will VOID THE WARRANTY.

9. **UNDER NO CIRCUMSTANCES** should the dryer door switches, lint door switches, or heat safety circuits ever be disabled.

**WARNING: PERSONAL INJURY OR FIRE COULD RESULT.**

10. This dryer is not to be used in the presence of dry cleaning solvents or fumes.
11. Remove articles from the dryer as soon as the drying cycle has been completed.

**WARNING:** Articles left in the dryer after the drying and cooling cycles have been completed can create a fire hazard.

12. **READ AND FOLLOW ALL CAUTION AND DIRECTION LABELS ATTACHED TO THE DRYER.**
13. Dryer **must not be** installed in an area where it will be exposed to water or weather.
14. Warning - Dryer **must never be** operated with the lint filter or screen not in place, even if an external lint collection system is used.
15. For safety, proper operation, and optimum performance, the dryer **must not be** operated with a load less than sixty-six percent (66%), 19.8 lb (9.07 kg) of its rated capacity.

**WARNING: YOU MUST DISCONNECT AND LOCKOUT THE ELECTRIC SUPPLY AND THE GAS SUPPLY BEFORE ANY COVERS OR GUARDS ARE REMOVED FROM THE MACHINE TO ALLOW ACCESS FOR CLEANING, ADJUSTING, INSTALLATION, OR TESTING OF ANY EQUIPMENT PER OSHA (Occupational Safety and Health Administration) STANDARDS.**

**IMPORTANT: Dryer *must be* installed in a location/environment, which the ambient temperature remains between 40° F (4.44° C) and 130° F (54.44° C).**

# SECTION II

## SPECIFICATIONS

### A. SPECIFICATIONS

<b>MLG32PDB</b>	
MAXIMUM CAPACITY (DRY WEIGHT)	30 lbs
BASKET (TUMBLER) DIAMETER	27-1/4"
BASKET (TUMBLER) DEPTH	30"
BASKET (TUMBLER) VOLUME (PER BASKET [TUMBLER])	10.1 cu. ft.
BASKET (TUMBLER) MOTOR (2 PLACES)	1/2 HP
DOOR OPENING - DIAMETER (2 PLACES)	21-1/2"
AIRFLOW (PER BASKET [TUMBLER])	420 cfm
HEAT INPUT (TOTAL FOR BOTH BASKETS [TUMBLERS])	160,000 btu/hr
GAS INLET SIZE	3/4"
EXHAUST DUCT OUTLET	8"
APPROXIMATE WEIGHT (UNCRATED)	850 lbs
APPROXIMATE WEIGHT (CRATED)	880 lbs
ELECTRIC REQUIREMENTS (PER [BASKET] TUMBLER)	120 Volt, 1 Phase, 9 amp

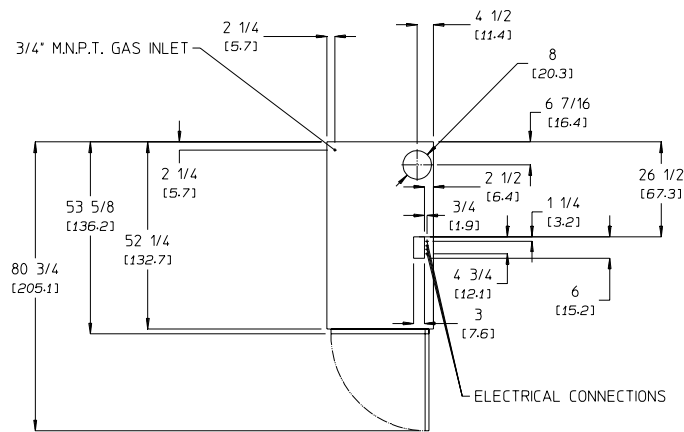
5/3/01

<p><b>NOTE:</b> Manufacturer reserves the right to make changes in specifications at any time without notice or obligation.</p>
---

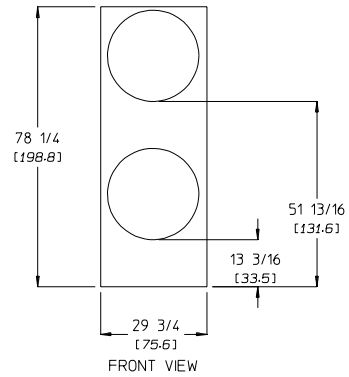
# Specifications

DRYER NOTES:

- ° DUCTWORK SIZE VARIES WITH INSTALLATION CONDITIONS.
- ° EXHAUST STATIC PRESSURE MUST BE NO LESS THAN 0 AND MUST NOT EXCEED 0.3" (0.74 MB) WATER COLUMN.



PLAN VIEW



EV 6/17/04

**NOTE:** Manufacturer reserves the right to make changes in specifications at any time without notice or obligation.

# SECTION III

## INSTALLATION PROCEDURES

Installation **should be** performed by competent technicians in accordance with local and state codes. In the absence of these codes, the installation **must conform** to applicable American National Standards: ANSI Z223.1-LATEST EDITION (National Fuel Gas Code) or ANSI/NFPA NO. 70-LATEST EDITION (National Electrical Code) or in Canada, the installation **must conform** to applicable Canadian Standards: CAN/CGA-B149.1-M91 (Natural Gas) or CAN/CGA-B149.2-M91 (Liquid Propane [L.P.] Gas) or LATEST EDITION (for General Installation and Gas Plumbing) or Canadian Electrical Codes Parts 1 & 2 CSA C22.1-1990 or LATEST EDITION (for Electrical Connections).

### A. UNPACKING/SETTING UP

Remove protective shipping material (i.e., plastic wrap and optional shipping box) from dryer.

**NOTE:** The access keys for the service doors are included in the information packet shipped in the basket (tumbler). These keys **should be** removed and put in a safe place yet made accessible because some **will be** needed throughout various phases in the installation of the dryer.

**Dryers are shipped with a coin box and coin box faceplate ONLY.** The coin box lock **is not** included and **must be** purchased elsewhere or the lock can be ordered as a parts order from the manufacturer.

The dryer can be moved to its final location while still attached to the skid or with the skid removed. To unskid the dryer, locate and remove the four (4) bolts securing the base of the dryer to the wooden skid. Two (2) are at the rear of the base, and two (2) are located in the front. Once the bolts are removed, slide the dryer off the skid.

With the skid removed, to make it easier to slide the dryer into its final position, slightly lower **ALL** four (4) leveling legs, so that the dryer will slide on the legs instead of the base frame. The dryer is equipped with four (4) leveling legs, one (1) at each corner of the dryer base. The hex head adjustment bolts for the two (2) front leveling legs are located directly behind the lower access door, and the rear two (2) adjustments are directly behind the lower rear back (guard) panel.

### B. LOCATION OF THE DRYER

Before installing the dryer, be sure the location conforms to local codes and ordinances. In the absence of such codes or ordinances the location **must conform** with the National Fuel Gas Code ANSI.Z223.1 LATEST EDITION, or in Canada, the installation **must conform** to applicable Canadian Standards: CAN/CGA-B149.1-M91 (Natural Gas) or CAN/CGA-B149.2-M91 (L.P. Gas) or LATEST EDITION (for General Installation and Gas Plumbing).

1. The dryer **must be** installed on a sound level floor capable of supporting its weight. Carpeting **must be** removed from the floor area that the dryer is to rest on.

**IMPORTANT:** “The dryer **must be** installed on noncombustible floors only.”

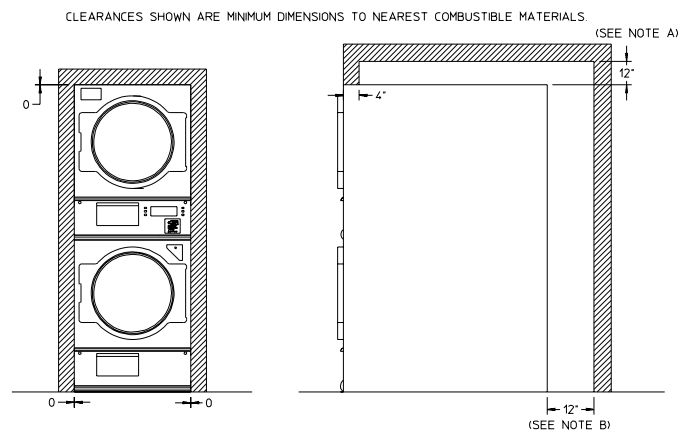
2. The dryer **must not be** installed or stored in an area where it will be exposed to water or weather.
3. The dryer is for use in noncombustible locations.
4. Provisions for adequate air supply **must be** provided as noted in this manual (refer to **Fresh Air Supply Requirements** in **Section D**).
5. Clearance provisions **must be** made from noncombustible construction as noted in this manual (refer to **Dryer Enclosure Requirements** in **Section C**).

Even though a 12-inch clearance is acceptable, it is recommended that the rear of the dryer be positioned approximately 2 feet away from the nearest obstruction, i.e., wall, for ease of installation, maintenance, and service. (Refer to the **illustration below**.)

6. Provisions **must be** made for adequate clearances for servicing and for operation as noted in this manual (refer to **Dryer Enclosure Requirements** in **Section C**).
7. Dryer **must be** exhausted to the outdoors in an area where correct exhaust venting can be achieved as noted in this manual (refer to **Exhaust Requirements** in **Section E**).
8. Dryer **must be** located in an area where correct exhaust venting can be achieved as noted in this manual (refer to **Exhaust Requirements** in **Section E**).
9. The dryer **must be** installed with a proper exhaust duct connection to the outside.
10. The dryer **must be** installed with provisions for adequate combustion and make-up air supply.

**CAUTION:** This dryer produces combustible lint and **must be** exhausted to the outdoors. Every 6 months, inspect the exhaust ducting and remove any lint build up.

**IMPORTANT:** Dryer **must be** installed in a location/environment, which the ambient temperature remains between 40° F (4.44° C) and 130° F (54.44° C).



**NOTES:**

- A. MINIMUM OF 12" CLEARANCE IS ACCEPTABLE FOR EASE OF INSTALLATION AND SERVICE (POWER CONNECTIONS). AT LEAST 18" IS RECOMMENDED.
- B. MINIMUM OF 12" CLEARANCE IS ACCEPTABLE FOR EASE OF INSTALLATION, MAINTANCE AND SERVICE. AT LEAST 24" IS RECOMMENDED.

MAN3694

**IMPORTANT:** Dryer **should be** located where a minimum amount of exhaust duct **will be** necessary.

## C. DRYER ENCLOSURE REQUIREMENTS

Bulkheads and partitions **should be** made of noncombustible materials and **must be** located a minimum of 12-inches (18-inches or more is recommended for ease of installation, maintenance, and service) above the dryer outer top, except along the front of the dryer, which may be closed in if desired.

**NOTE:** Even though a minimum of 12-inches above the dryer outer top is acceptable, a clearance of 18-inches (or more) is suggested for ease of installation and service (electrical power connections).

**NOTE:** When fire sprinkler systems are located above the dryers, a minimum of 12-inches above the dryer outer top is required.

**NOTE:** Allowances **must be** made for opening the control door.

Dryers may be positioned sidewall to sidewall. However, allowances **must be** made for opening and closing of the control door and the lint door. It is suggested that the dryer be positioned about 2 feet away from the nearest obstruction for ease of installation, maintenance, and service (to be measured from the back guard.) Refer to the **illustration** on the previous page for details.

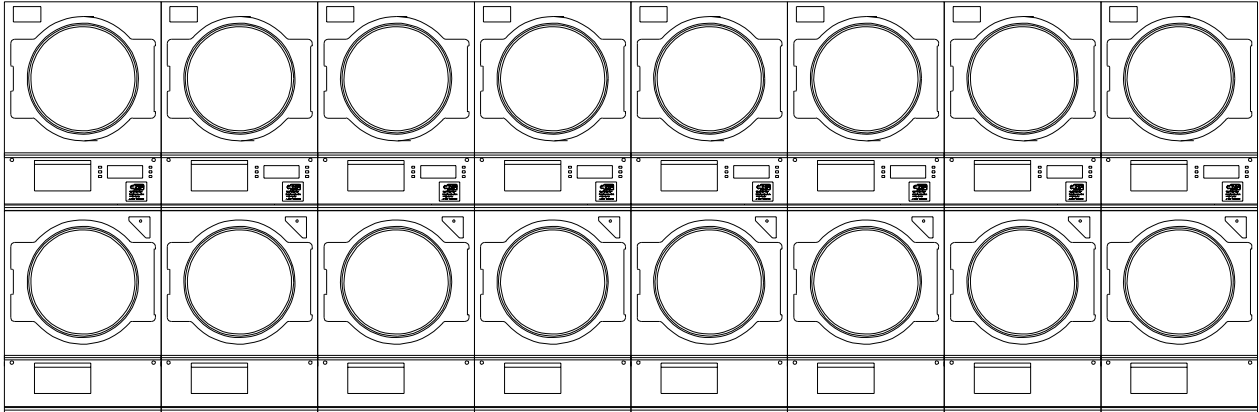
**NOTE:** Air considerations are important for proper and efficient operation.

## D. FRESH AIR SUPPLY REQUIREMENTS

Air supply (make-up air) **must be** given careful consideration to assure proper performance of each dryer. An unrestricted source of 840 cfm is necessary for each dryer. An unrestricted air entrance from the outdoors (atmosphere) of a minimum of 1-1/2 square feet is required for each dryer. This area **must be** enlarged if louvers or registers cover the opening. It is not necessary to have a separate make-up air opening for each dryer. Common make-up air openings are acceptable. However, they **must be** set up in such a manner that the make-up air is distributed equally to the dryers. For example, for a bank of eight (8) dryers, a total make-up air opening of 12 square feet is required. Two (2) openings measuring 2 feet by 3 feet (6 square feet) are acceptable. (Refer to the **illustration** on the next page.)

Allowances **must be** made for remote or constricting passageways or where dryers are located at excessive altitudes or predominantly low-pressure areas. The dryer **must be** installed with provisions for adequate combustion and make-up air supply.

**IMPORTANT:** Make-up air **must be** provided from a source free of dry cleaning solvent fumes. Make-up air that is contaminated by dry cleaning solvent fumes will result in irreparable damage to the motors and other dryer components.



MAN3696

TYPICAL INSTALLATION SHOWING MAKE-UP AIR OPENINGS

**IMPORTANT:** Make-up air openings *should not be* located near ductwork exhaust outlets. If make-up air openings are too close to the exhaust outlet, lint and fumes may be drawn back into the dryer area through these openings.

**NOTE:** Component failure due to dry cleaning fumes will VOID THE WARRANTY.

## E. EXHAUST REQUIREMENTS

Exhaust ductwork **should be** designed and installed by a qualified professional. Improperly sized ductwork will create excessive back pressure, which results in slow drying, increased use of energy, overheating of the dryer, and shutdown of the burner by the airflow (sail) switches, burner hi-limits, or basket (tumbler) hi-heat thermostats. The dryer **must be** installed with a proper exhaust duct connection to the outside.

**CAUTION:** This dryer produces combustible lint and *must be* exhausted to the outdoors.

**CAUTION: IMPROPERLY SIZED OR INSTALLED EXHAUST DUCTWORK CAN CREATE A POTENTIAL FIRE HAZARD.**

The exhaust ductwork **should be** laid out in such a way that the ductwork travels as directly as possible to the outdoors with as few turns as possible. When single dryer venting is used, the ductwork from the dryer to the outside exhaust outlet **must not exceed** 10 feet. In the case of multiple (common) dryer venting, the distance from the last dryer to the outside exhaust outlet **must not exceed** 20 feet. The shape of the exhaust ductwork is not critical so long as the minimum cross-sectional area is provided.

### 1. Single Dryer Venting

When possible, it is suggested to provide a separate exhaust duct for each dryer. The exhaust ductwork **should be** laid out in such a way that the ductwork travels as directly as possible to the outdoors with as few turns as possible. It is suggested that the use of 90° turns in ducting be avoided; use 30° or 45° angles instead. The shape of the exhaust ductwork is not critical so long as the minimum cross-sectional area is provided.

**IMPORTANT:** Exhaust back pressure measured by a manometer at the dryer's exhaust duct area *must be* no less than 0 and *must not exceed* 0.3 inches of water column (W.C.) when both baskets (tumblers) are operating.

It is suggested that the ductwork from each dryer not exceed 10 feet with no more than two (2) elbows. If the ductwork exceeds 10 feet or has numerous elbows, the cross-sectional area of the ductwork **must be** increased in proportion to length or number of elbows in it.

**IMPORTANT:** For extended ductwork runs, the cross-sectional area of the ductwork can only be increased to an extent. Maximum proportional ductwork runs **cannot** exceed 10 feet more than the original limitations of 10 feet with two (2) elbows. When the ductwork approaches the maximum limits as noted in this manual, a professional heating, ventilation, and air-conditioning (HVAC) firm *should be* consulted for proper venting information.

The ductwork **should be** smooth inside with no projections from sheet metal screws or other obstructions, which will collect lint. When adding ducts, the duct to be added should overlap the duct to which it is to be connected. **ALL** ductwork joints **must be** taped to prevent moisture and lint from escaping into the building. Also, inspection doors **should be** installed at strategic points in the exhaust ductwork for periodic inspection and cleaning.

**IMPORTANT:** It is recommended that exhaust or booster fans not be used in the exhaust ductwork system.





## 2. Multiple Dryer (Common) Venting

If it is not feasible to provide separate exhaust ducts for each dryer, ducts from individual dryers may be channeled into a common main duct. The individual ducts should enter the bottom or side of the main duct at an angle not more than 45° in the direction of the airflow.

**IMPORTANT:** No more than eight (8) dryers *should be* connected to one (1) main common duct.

**NOTE:** Refer to the **illustration** on the next page for examples of multiple dryer (common) venting.

The main duct may be any shape so long as the minimum cross-sectional area is provided. The **illustration** on the next page shows the minimum cross-sectional area for multiple dryer venting. These figures **must be** increased in proportion if the main duct run from the last dryer to where it exhausts to the outdoors is unusually long (over 20 feet) or has numerous elbows (more than one [1]) in it.

**IMPORTANT:** For extended ductwork runs, the cross-sectional area of the ductwork can only be increased to an extent. Maximum proportional ductwork runs **cannot** exceed 20 feet more than the original limitations of 20 feet with one (1) elbow. When the ductwork approaches the maximum limits as noted in this manual, a professional heating, ventilation, and air-conditioning (HVAC) firm *should be* consulted for proper venting information.

**IMPORTANT:** Exhaust back pressure measured by a manometer at the dryer's exhaust duct area *must be* no less than 0 and *must not exceed* 0.3 inches of water column (W.C.) when both baskets (tumblers) are operating.

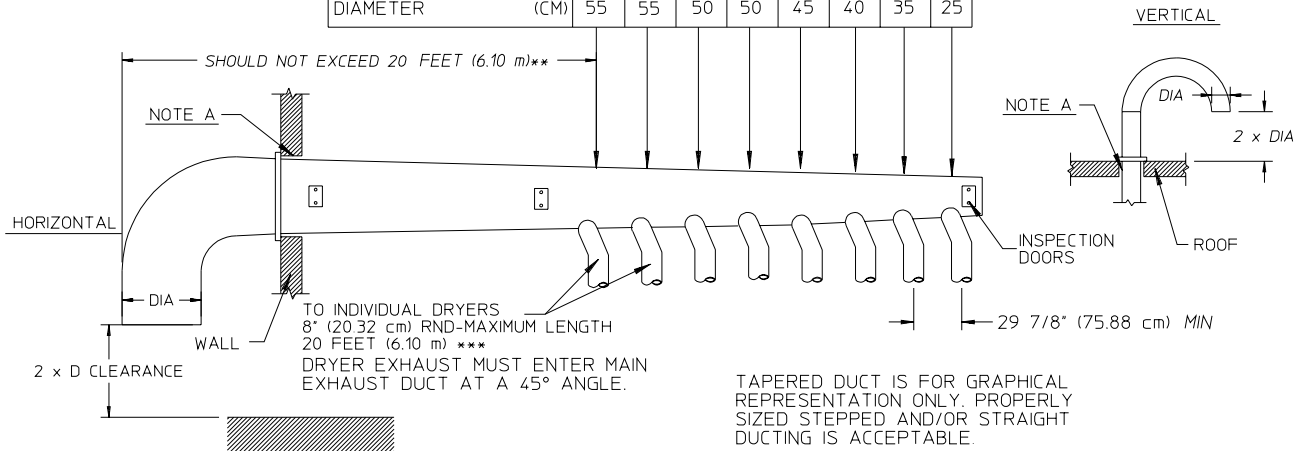
The ductwork **should be** smooth inside with no projections from sheet metal screws or other obstructions, which will collect lint. When adding ducts, the duct to be added should overlap the duct to which it is to be connected. **ALL** ductwork joints **must be** taped to prevent moisture and lint from escaping into the building. Also, inspection doors **should be** installed at strategic points in the exhaust ductwork for periodic inspection and cleaning.

**NOTE:** When the exhaust ductwork passes through a wall, ceiling, or roof made of combustible materials, the opening *must be* 2-inches larger than the duct (all the way around). The duct *must be* centered within this opening.

To protect the outside end of the horizontal ductwork from the weather, a 90° elbow bent downward **should be** installed where the exhaust exits the building. If the exhaust ductwork travels vertically up through the roof, it **should be** protected from the weather by using a 180° turn to point the opening downward. In either case, allow at least twice the diameter of the duct between the duct opening and nearest obstruction.

MULTIPLE DRYER VENTING  
WITH AN 8" (20.32 cm) DIAMETER EXHAUST CONNECTION AT THE DRYER

NO. OF DRYERS	8	7	6	5	4	3	2	1
MINIMUM CROSS SECTION AREA (SQ IN)	380	380	315	315	255	200	155	80
(SQ CM)	2451	2451	2032	2032	1645	1290	999	516
MINIMUM ROUND DUCT (IN) DIAMETER	22	22	20	20	18	16	14	10
(CM)	55	55	50	50	45	40	35	25



IMPORTANT: NO MORE THAN 8 DRYERS CAN BE CONNECTED TO ONE COMMON DUCT ( VENT ).

\*\*FROM LAST DRYER TO WHERE DUCT EXHAUSTS TO OUTDOORS  
\*\*\*FROM DRYER TO COMMON DUCT CONNECTION INCLUDING ONLY (1) 45 DEGREE ANGLE ELBOW

GS 5/24/00

MAN5263

<p>FORMULAS TO CALCULATE DUCTING CROSS SECTIONAL AREA</p> <p>CROSS SECTIONAL AREA OF A ROUND DUCT = .785 (19.939 mm) x DIA<sup>2</sup></p> <p>CROSS SECTIONAL AREA OF A RECTANGULAR DUCT = WIDTH x HEIGHT.</p>	
--	--

NOTE A: OPENING MUST BE 2-INCHES (5.08 cm) LARGER THAN THE DUCT (ALL THE WAY AROUND). THE DUCT MUST BE CENTERED WITHIN THIS OPENING.

**IMPORTANT: DO NOT** use screens, louvers, or caps on the outside opening of the exhaust ductwork.

**NOTE:** In situations where a 10-inch exhaust duct is required or acceptable, to ease installation an 8-inch dryer exhaust outlet size to 10-inch exhaust duct increaser (transition piece) is available from the factory by ordering Part No. 882099.

## F. ELECTRICAL INFORMATION

### 1. Electrical Requirements

It is your responsibility to have **ALL** electrical connections made by a properly licensed and competent electrician to assure that the electrical installation is adequate and conforms to local and state regulations or codes. In the absence of such codes, **ALL** electrical connections, materials, and workmanship **must conform** to the applicable requirements of the National Electrical Code ANSI/NFPA NO. 70-LATEST EDITION or in Canada, the Canadian Electrical Codes Parts 1 & 2 CSA C22.1-1990 or LATEST EDITION.

**IMPORTANT:** Failure to comply with these codes or ordinances, or the requirements stipulated in this manual, can result in personal injury or component failure.

**NOTE:** Component failure due to improper installation will VOID THE WARRANTY.

A separate circuit servicing each dryer **must be** provided. The dryer **must be** connected to copper wire only. ***DO NOT use aluminum wire, which could cause a fire hazard.***

**NOTE:** The use of aluminum wire will VOID THE WARRANTY.

### 2. Grounding

A ground (earth) connection **must be** provided and installed in accordance with state and local codes. In the absence of these codes, grounding **must conform** to applicable requirements of the National Electrical Code ANSI/NFPA NO. 70-LATEST EDITION, or in Canada, the installation **must conform** to applicable Canada Standards: Canadian Electrical Codes Parts 1 & 2 CSA C22.1-1990 or LATEST EDITION. The ground connection may be to a proven earth ground at the location service panel.

For added personal safety, when possible, it is suggested that a separate ground wire (per local codes) be connected from the ground connection of the dryer to a grounded cold water pipe. ***DO NOT ground to a gas pipe or hot water pipe.*** The grounded cold water pipe must have metal-to-metal connection **ALL** the way to electrical ground. If there are any nonmetallic interruptions, such as, a meter, pump, plastic, rubber, or other insulating connectors, they **must be** jumped with no. 4 copper wire and securely clamped to bare metal at both ends.

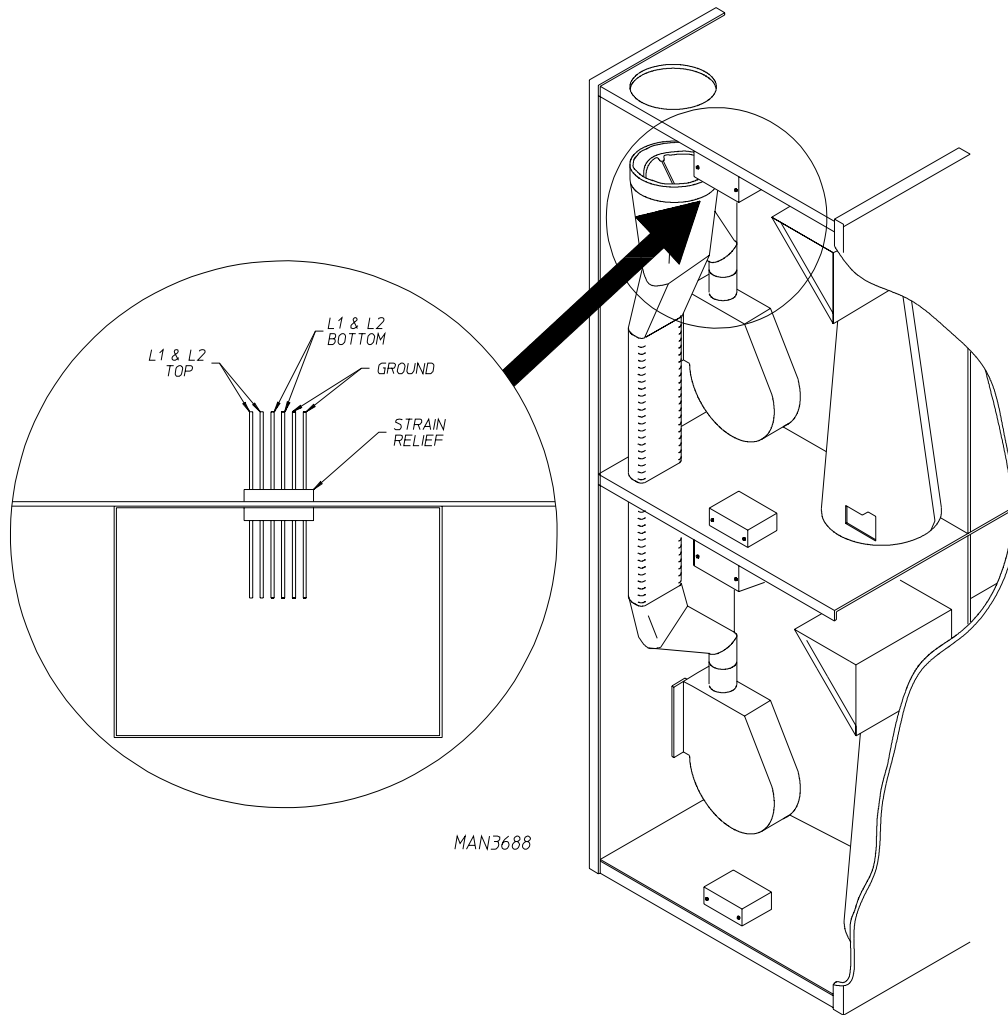
**IMPORTANT:** For personal safety and proper operation, the dryer ***must be*** grounded.

### 3. Electrical Connections

A wire diagram is located on the inside of the control (service) box for connection data.

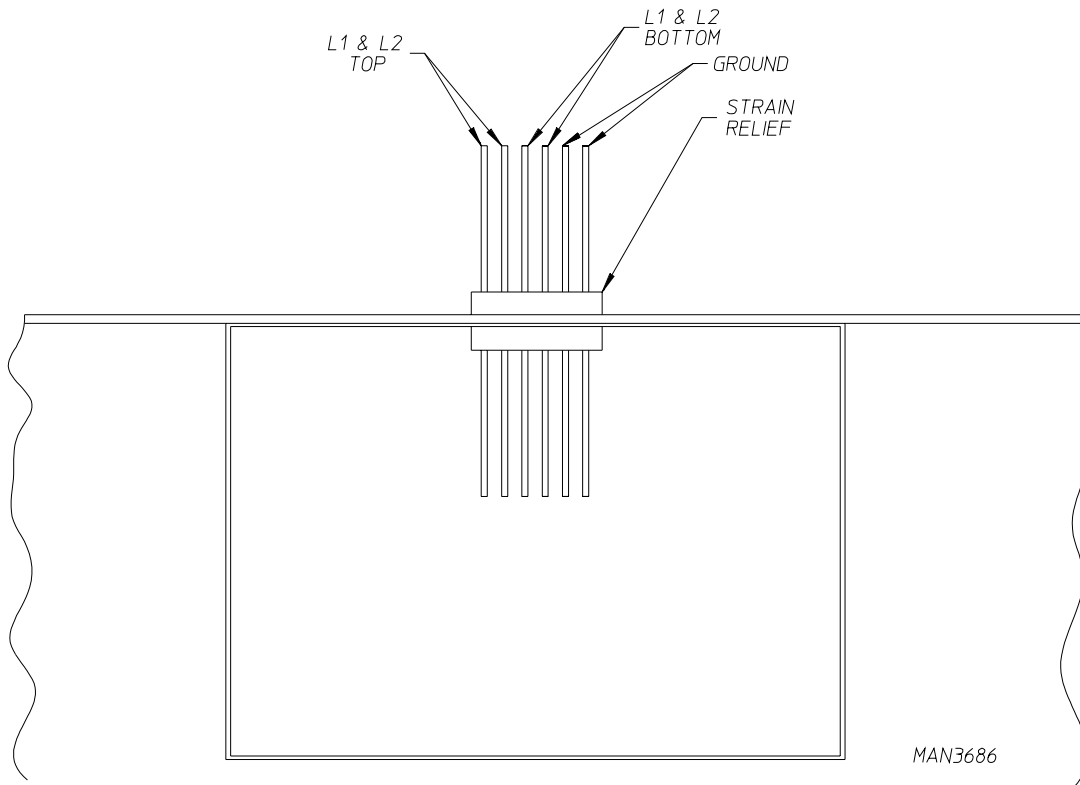
#### a. Single-Phase (1Ø) Hookup

The electrical connections on **ALL** single-phase (1Ø) dryers are made into the junction box located at the upper rear of the dryer. A separate circuit servicing each dryer basket (tumbler) **must be** provided.



<b>Single-Phase (1Ø) Electrical Connection Leads</b>		
Black + Positive	White - Neutral	Green  Ground
or L2		

Providing local codes permit, power to the dryer can be made by use of a flexible U.L. listed power cord or pigtail (wire size **must conform** to the rating of the dryer), or the dryer can be hard wired directly to the service breaker panel. In both cases, a strain relief **must be** installed where the wiring enters the dryer.



## ELECTRICAL SERVICE SPECIFICATIONS (PER TUMBLER)

A separate circuit breaker **must be** provided for each tumbler/pocket.

**NOTES:** Circuit breakers are thermal/magnetic (industrial) motor curve type **ONLY**. For others, calculate/verify correct breaker size according to appliance amp draw rating and type of breaker used.

SERVICE VOLTAGE	PHASE	WIRE SERVICE	APPROX. AMP DRAW	MINIMUM WIRE SIZE	CIRCUIT BREAKER
120	1Ø	2	8.7	*	15

\* AWG Stranded Wire Type...size wire as per National Electrical Code or local codes.

8/5/08

**NOTE:** Contact factory for electrical information not listed.

**NOTE:** Manufacturer reserves the right to make changes in specifications at any time without notice or obligation.

## G. GAS INFORMATION

It is your responsibility to have **ALL** plumbing connections made by a qualified professional to assure that the gas plumbing installation is adequate and conforms to local and state regulations or codes. In the absence of such codes, **ALL** plumbing connections, materials, and workmanship **must conform** to the applicable requirements of the National Fuel Gas Code ANSI Z223.1-LATEST EDITION, or in Canada, the Canadian Installation Codes CAN/CGA-B149.1-M91 (Natural Gas) or CAN/CGA-B149.2-M91 (Liquid Propane [L.P.] Gas) or LATEST EDITION.

**IMPORTANT:** Failure to comply with these codes or ordinances, and/or the requirements stipulated in this manual, can result in personal injury and improper operation of the dryer.

The dryer and its individual shutoff valve **must be** disconnected from the gas supply piping system during any pressure testing of that system at test pressures in excess of 1/2 psig (3.5 kPa).

The dryer **must be** isolated from the gas supply piping system by closing its individual manual shutoff valve during any pressure testing of the gas supply system at test pressures equal to or less than 1/2 psig (3.5 kPa).

**IMPORTANT:** Failure to isolate or disconnect the dryer from supply as noted can cause irreparable damage to the gas valve VOIDING THE WARRANTY.

**WARNING: FIRE OR EXPLOSION COULD RESULT.**

### 1. Gas Supply

The gas dryer installation **must meet** the American National Standard...National Fuel Gas Code ANSI Z223.1-LATEST EDITION, or in Canada, the Canadian Installation Codes CAN/CGA-B149.1 M91 (Natural Gas) or CAN/CGA-B149.2-M91 (L.P. Gas) or LATEST EDITION, as well as local codes and ordinances and **must be** done by a qualified professional.

**NOTE:** Undersized gas piping will result in ignition problems, slow drying, increased use of energy, and can create a safety hazard.

The dryer **must be** connected to the type of heat or gas indicated on the dryer data label. If this information does not agree with the type of gas available, **DO NOT operate the dryer**. Contact the dealer who sold the dryer or contact **Maytag Co.**

**IMPORTANT:** Any burner changes or conversions **must be** made by a qualified professional.

The input ratings shown on the dryer data label are for elevations up to 2,000 feet, unless elevation requirements of over 2,000 feet were specified at the time the dryer order was placed with the factory. The adjustment or conversion of dryers in the field for elevations over 2,000 feet are made by changing each burner orifice. If this conversion is necessary, contact the dealer who sold the dryer or contact **Maytag Co.**

## 2. Technical Gas Data

### a. Gas Specifications

	<b>TYPE OF GAS</b>	
	<b>NATURAL</b>	<b>LIQUID PROPANE</b>
Manifold Pressure*	3.5 inches W.C.	10.5 inches W.C.
In-Line Pressure	6.0 - 12.0 inches W.C.	11.0 inches W.C.
Orifice Size**	#18	#38

\* Measured at gas valve pressure tap when the gas valve is on.

\*\* For elevations up to 2,000 feet.

W.C. = Water column in inches.

Gas Inlet Size	3/4" N.P.T.
Btu/hr Input (Each Basket [Tumbler])	80,000
Btu/hr (Total For Both Baskets [Tumblers])	160,000

N.P.T. = National Pipe Thread.

### b. Natural Gas

Regulation is controlled by each gas valve's internal regulator. Incoming supply pressure **must be** consistent between a minimum of 6.0 inches and a maximum of 12.0 inches water column (W.C.) pressure.

### c. Liquid Propane (L.P.) Gas

Dryers made for use with L.P. gas have the gas valve's internal pressure regulator blocked open so that the gas pressure **must be** regulated upstream of the dryer. The pressure measured at each gas valve pressure tap **must be** a consistent 10.5 inches water column. There is no regulator or regulation provided in an L.P. dryer. The water column pressure **must be** regulated at the source (L.P. tank) or an external regulator **must be** added to each dryer.

## 3. Piping Connections

**ALL** components/materials **must conform** to National Fuel Gas Code Specifications ANSI Z223.1-LATEST EDITION, or in Canada, CAN/CGA-B149.1-M91 (Natural Gas) or CAN/CGA-B149.2-M91 (L.P. Gas) or LATEST EDITION (for General Installation and Gas Plumbing), as well as local codes and ordinances and **must be** done by a qualified professional. It is important that gas pressure regulators meet applicable pressure requirements, and that gas meters be rated for the total amount of **ALL** the appliance BTUs being supplied.

The dryer is provided with a 3/4" N.P.T. inlet pipe connection at the upper right hand corner (when viewed from the rear) of each dryer. It is recommended that a gas shutoff valve be provided to the gas supply line of each dryer for ease of servicing.



The size of the main gas supply line (header) will vary depending on the distance this line travels from the gas meter (or in the case of liquid propane [L.P.] gas, the supply tank), the number of tees, other gas-operated appliances on the supply line, etc. Specific information regarding supply line size **should be** determined by the gas supplier.

**NOTE:** Undersized gas supply piping can create a low or inconsistent pressure, which will result in erratic operation of the burner ignition system.

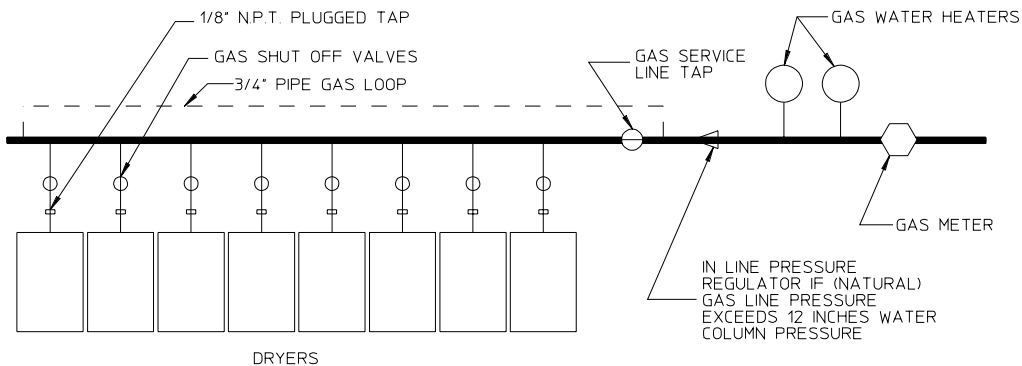
Consistent gas pressure is essential at **ALL** gas connections. It is recommended that a 3/4" pipe loop be installed in the supply line servicing the bank of dryers. An in-line pressure regulator **must be** installed in the gas supply line (header) if (natural) gas line pressure exceeds 12.0 inches water column (W.C.) pressure. (Refer to the **illustration below** for details.)

**IMPORTANT:** Water column pressure of 3.5 inches for natural gas dryers and 10.5 inches for L.P. gas is required at the gas valve pressure tap of each dryer for proper and safe operation.

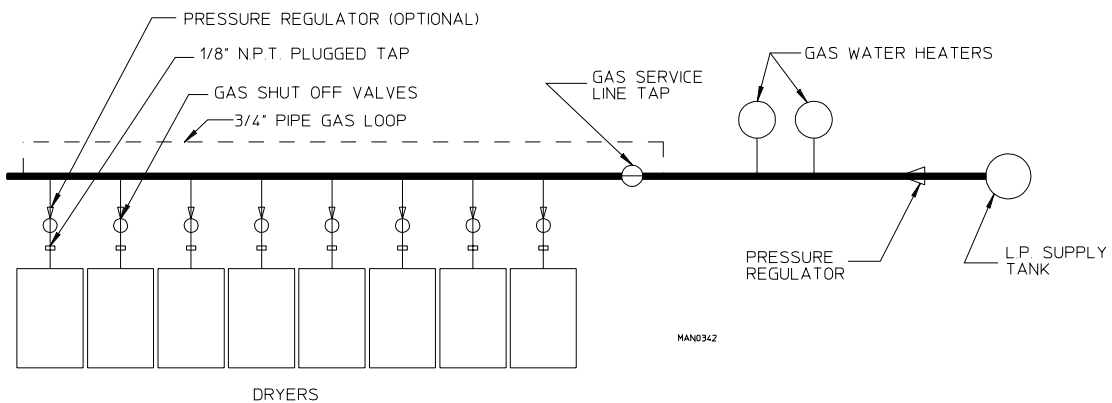
A 1/8" N.P.T. plugged tap, accessible for a test gauge connection, **must be** installed in the main gas supply line immediately upstream of each dryer.

**IMPORTANT:** Pipe joint compounds that resist the action of natural gas and L.P. gas **must be** used.

TYPICAL NATURAL GAS INSTALLATION



TYPICAL L.P. GAS INSTALLATION



**WARNING:** Test ALL connections for leaks by brushing on a soapy water solution (liquid detergent works well).

**WARNING: NEVER TEST FOR LEAKS WITH A FLAME!!!**

It is important that gas pressure regulators meet applicable pressure requirements and that gas meters be rated for the total amount of appliance BTUs being supplied.

## H. PREPARATION FOR OPERATION

The following items **should be** checked before attempting to operate the dryer:

1. Read ALL “CAUTION,” “WARNING,” and “DIRECTION” labels attached to the dryer.
2. Check incoming supply voltage to be sure that it is the same as indicated on the dryer data label.
3. **GAS MODELS** - check to assure that the dryer is connected to the type of heat or gas indicated on the dryer data label.
4. The sail switch damper assembly was installed and adjusted at the factory prior to shipping. However, each sail switch adjustment **must be** checked to assure that this important safety control is functioning.
5. Check bolts, nuts, screws, terminals, and fittings for tightness.
6. **GAS MODELS** - be sure that ALL gas shutoff valves are in the open position.
7. Be sure ALL back guard panels and service box covers have been replaced.
8. Check the lint door to assure that it is closed and secured in place.
9. Rotate the basket (tumbler) by hand to be sure it moves freely.

## I. PREOPERATIONAL TESTS

ALL dryers are thoroughly tested and inspected before leaving the factory. However, a preoperational test **should be** performed before the dryer is publicly used. It is possible that adjustments have changed in transit or due to marginal location (installation) conditions.

1. Turn on electric power to the dryer.
  - a. Coin Models Only
    - 1) The display will read “0 minutes” for both baskets (tumblers) and the price required to start a cycle.
    - 2) Insert the proper number of coins into coin acceptor. Once the correct amount needed to start the dryer has been inserted, the light emitting diode (L.E.D.) display will read “SELECT CYCLE.”

- 3) Start the dryer by pressing the desired fabric setting. After the cycle is started, drying time will count down whether the door is closed or open.

**NOTE:** The dryer can be stopped at any time by opening the main door. To restart dryer, shut the main door and press desired fabric setting.

- 4) Open main door to stop the dryer, and change to a different fabric setting. Repeat this procedure, until **ALL** fabric selections have been tested. This will also confirm that setting key circuits and door switch circuits are functioning properly.
- 5) Repeat above procedure for the other basket (tumbler).

## 2. Heat Circuit Operational Test

- a. When a gas dryer is first started (during initial start-up), it has a tendency not to ignite on the first ignition attempt. This is because the gas supply piping is filled with air, so it may take a few minutes for the air to be purged from the lines.

**NOTE:** During the purging period, check to be sure that **ALL** gas shutoff valves are open.

**NOTE:** Gas dryers are equipped with a Direct Spark Ignition (DSI) system, which has internal diagnostics. If ignition **is not** established after the first attempt, the heat circuit in the DSI module will lockout until it is manually reset. To reset the DSI system, open and close the main door and restart the dryer.

- b. Once ignition is established, a gas pressure test **should be** taken at the gas valve pressure tap of each dryer to assure that the water column (W.C.) pressure is correct and consistent.

**NOTE:** Water column pressure requirements (measured at the pressure tap of the gas valve body):

Natural Gas ..... 3.5 Inches Water Column.  
Liquid Propane (L.P.) Gas .... 10.5 Inches Water Column.

**IMPORTANT:** There is no regulator provided in an L.P. dryer. The water column pressure **must be** regulated at the source (L.P. tank) or an external regulator **must be** added to each dryer.

3. Make a complete operational check of **ALL** the operating controls to ensure that the timing is correct and that the temperatures are set properly.
4. Make a complete operational check of **ALL** safety related circuits (i.e., door switches, hi-limit thermostats, sail switches, basket [tumbler] safety thermostats, etc.).

**NOTE:** The sail switch can be checked for proper operation by opening the control door while the dryer is running and the heating unit (burner) is active (on). The heating unit(s) should shut off within a few seconds. If not, make the necessary adjustments.

5. Each basket (tumbler) **should be** operated through one (1) complete cycle to assure that no further adjustments are necessary and that **ALL** components are functioning properly.

## BASKET (TUMBLER) COATING

The basket (tumbler) is treated with a protective coating. We suggest dampening old garments or cloth material with a solution of water and nonflammable mild detergent and tumbling them in the basket (tumbler) to remove this coating.

### 6. Computer Programs and Selections

Each microprocessor controller (computer) has been preprogrammed by the factory with the most commonly used program (parameter) selections. If microprocessor controller (computer) program changes are required, refer to the computer programming manual, which was shipped with the dryer.

## J. SHUTDOWN INSTRUCTIONS

In the case where the dryer is to be shutdown (taken out of service) for a period of time, the following **must be** performed:

1. Discontinue power to the dryer either at the external disconnect switch or the circuit breaker.
2. Discontinue the gas supply (for gas models only):
  - a. **SHUT OFF external gas supply shutoff valve** (for both the top basket [tumbler] and the bottom basket [tumbler] where the independent supply line for each basket [tumbler] is used).
  - b. **SHUT OFF internal gas supply shutoff valve located in the gas valve burner area** (for both the top basket [tumbler] and the bottom basket [tumbler]).

# SECTION IV

## OPERATING INSTRUCTIONS

### A. STARTING THE DRYER

The dryer is available for use when the appropriate side of the microprocessor display reads “0 minutes” and the amount needed to start the dryer (i.e., “25”). Once the load has been put into the dryer and the main door is closed, start the dryer as follows:

1. Insert the proper number of coins into the coin acceptor. Once the correct “Amount To Start” has been inserted, the display will read “SELECT CYCLE.”
2. Determine fabric setting (selection).

Once the fabric temperature setting (selection) has been determined, start the dryer by pressing the fabric setting key.

3. The dryer will now start, and the display will read the setting and the time vended.
4. The cycle time will count down until the drying and cooling cycles are completed.
5. Upon completion of the drying and cooling cycles, the dryer will shut off.

a. Notes

- 1) The dryer basket (tumbler) can be stopped at any time by opening the main door. To restart dryer, shut the main door and press desired setting.

**NOTE:** When a cycle is interrupted by opening the main door, cycle time will continue to count downward, regardless if the door is open or closed.

- 2) Selection (setting) changes can be made at any time during the drying cycle.

# SECTION V

## SERVICE/PARTS INFORMATION

### A. SERVICE

1. Service **must be** performed by a qualified trained technician, service agency, or gas supplier. If service is required, contact the **Maytag** dealer from whom the equipment was purchased. If the dealer **cannot** be contacted or is unknown, contact the **Maytag Co.** for a dealer in your area.

**NOTE:** When contacting the **Maytag Co.**, be sure to give them the correct **model number** and **serial number** so that your inquiry is handled in an expeditious manner.

### B. PARTS

1. Replacement parts **should be** purchased from the dealer from whom the **Maytag** equipment was purchased. If the dealer **cannot** be contacted or is unknown, contact the **Maytag Co.** for a dealer in your area.

**NOTE:** When ordering replacement parts from the **Maytag** dealer or the **Maytag Co.** be sure to give them the correct **model number** and **serial number** so that your parts order can be processed in an expeditious manner.

# SECTION VI

## WARRANTY INFORMATION

### A. RETURNING WARRANTY CARDS

1. Before any dryer leaves the manufacturer's test area, a warranty card is placed on the back side of the main door glass. These warranty cards are intended to serve the customer where we record the individual installation date and warranty information to better serve you should you file a warranty claim.

**IMPORTANT:** A separate warranty card *must be* completed and returned for each individual dryer.

**NOTE:** Be sure to include the installation date when returning the warranty card(s).

### B. WARRANTY

For a copy of the manufacturer's commercial warranty covering your particular dryer(s), contact the **Maytag** dealer from whom you purchased the equipment and request a dryer warranty form. If the dealer **cannot** be contacted or is unknown, warranty information can be obtained from the **Maytag Co.**

**NOTE:** Whenever contacting the **Maytag Co.** for warranty information, be sure to have the dryer's **model number** and **serial number** available so that your inquiry can be handled in an expeditious manner.

# SECTION VII

## ROUTINE MAINTENANCE

### A. CLEANING

A program and/or schedule **should be** established for periodic inspection, cleaning, and removal of lint from various areas of the dryer, as well as throughout the ductwork system. The frequency of cleaning can best be determined from experience at each location. Maximum operating efficiency is dependent upon proper air circulation. The accumulation of lint can restrict this airflow. If the guidelines in this section are met, a **Maytag** dryer will provide many years of efficient, trouble free and most importantly safe operation.

**WARNING: LINT FROM MOST FABRICS IS HIGHLY COMBUSTIBLE. THE ACCUMULATION OF LINT CAN CREATE A POTENTIAL FIRE HAZARD.**

**WARNING: KEEP DRYER AREA CLEAR AND FREE FROM COMBUSTIBLE MATERIALS, GASOLINE, AND OTHER FLAMMABLE VAPORS AND LIQUIDS.**

**NOTE:** Suggested time intervals shown are for average usage, which is considered six (6) to eight (8) operational (running) hours per day.

**IMPORTANT:** Dryer produces combustible lint and *must be* exhausted to the outdoors. Every 6 months, inspect the exhaust ducting and remove any lint build up.

### SUGGESTED CLEANING SCHEDULE

#### *DAILY (beginning of each work shift)*

Clean lint from lint drawer and screen assembly.

Inspect lint screens or drawers for damage and replace if torn.

#### *WEEKLY*

Clean lint accumulation from around microprocessor temperature sensor probes and sensor bracket assemblies.

#### *90 DAYS*

Remove lint from the motor air vents and surrounding area.

**IMPORTANT:** Lint accumulation will restrict the airflow over the motors, causing overheating and irreparable motor damage. Motor failure due to lint accumulation will VOID THE WARRANTY.

Remove lint accumulation from around the openings in the dryer's back panels.



Remove lint from gas valve burner train area with a dusting brush or vacuum cleaner attachment.

Remove any lint accumulation from the coin acceptor area, including the optical switch.

Inspect and remove lint accumulation in customer furnished exhaust ductwork system and from the dryer's internal exhaust ducting.

**WARNING: THE ACCUMULATION OF LINT IN THE EXHAUST DUCTWORK CAN CREATE A POTENTIAL FIRE HAZARD.**

**WARNING: DO NOT OBSTRUCT THE FLOW OF COMBUSTION AIR AND VENTILATION AIR.**

Inspect and remove lint accumulation from the dryer's exhaust ductwork back draft dampers.

**NOTE:** A back draft damper that is sticking partially closed can result in slow drying and shutdown of the heat circuit safety switches or thermostats.

### ***EVERY 6 MONTHS***

In the cleaning of the dryer cabinet, avoid using harsh abrasives. A product for the cleaning of appliances is recommended.

**ALL** bearings and setscrews **should be** checked to ensure they are tight.

## **B. ADJUSTMENTS**

### ***7 DAYS AFTER INSTALLATION AND EVERY 6 MONTHS THEREAFTER***

Inspect bolts, nuts, screws (bearing setscrews), grounding connections, nonpermanent gas connections (unions, shutoff valves, and orifices), and electrical terminations. Motor and drive belts **should be** examined. A cracked or seriously frayed belt **should be** replaced. Tighten loose belts when necessary and check the alignment. Complete operational check of controls and valves. Complete operational check of **ALL** safety devices (door switches, lint compartment switches, sail switches, burner and hi-limit thermostats).

## **C. LUBRICATION**

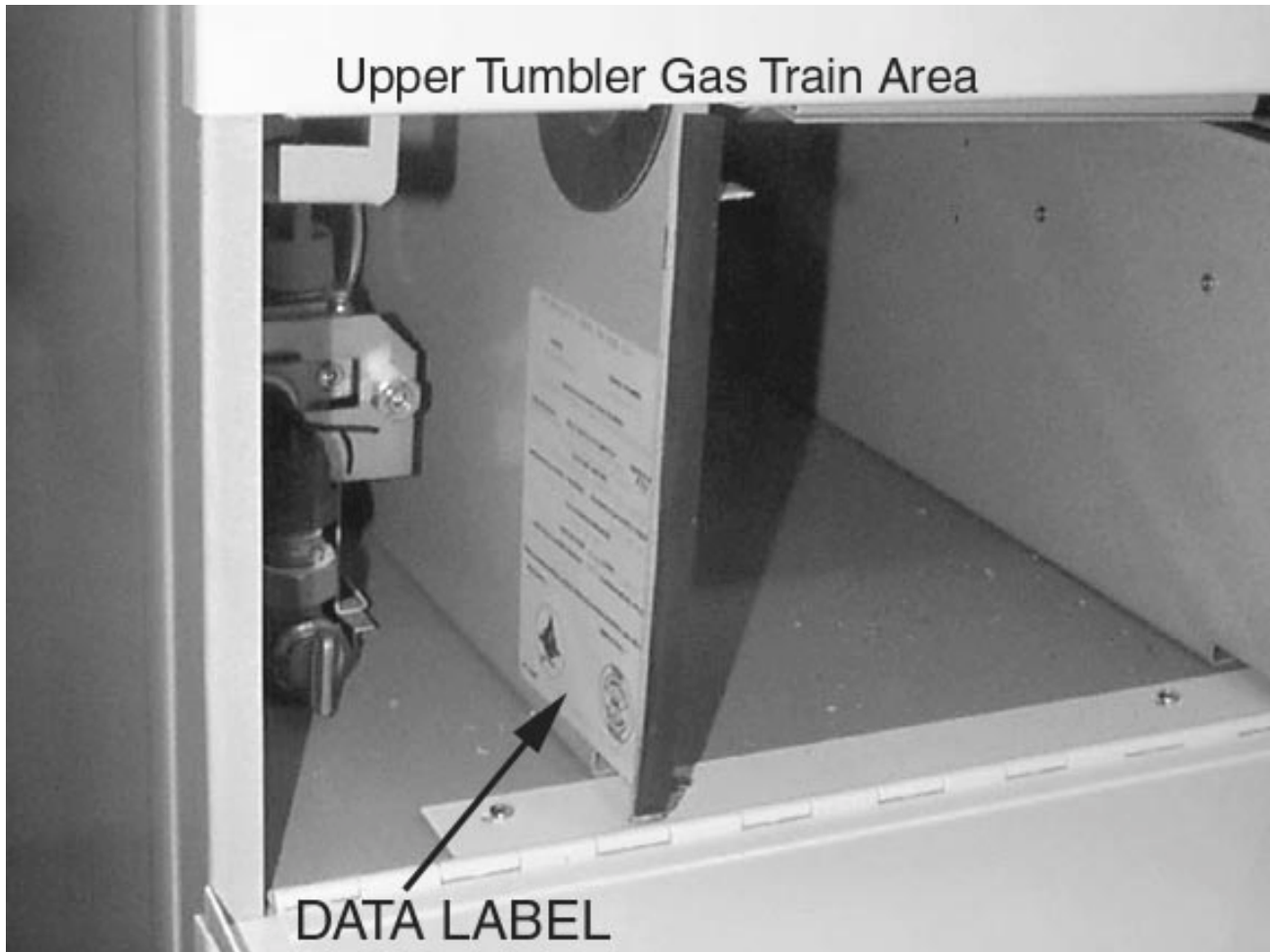
The motor bearings, idler bearings and under normal or most conditions the basket (tumbler) bearings are permanently lubricated. It is physically possible to relubricate the basket (tumbler) bearings if you choose to do so even though this practise is not necessary. Use Shell Alvania #2 or its equivalent. The basket (tumbler) bearings used in the dryer **DO NOT** have a grease fitting. Provisions are made in the bearing housing for the addition of a grease fitting, which can be obtained elsewhere, or from your **Maytag** dealer by ordering kit part no. 882159, which includes two (2) fittings.

# **SECTION VIII**

## **DRYER DATA LABEL INFORMATION**

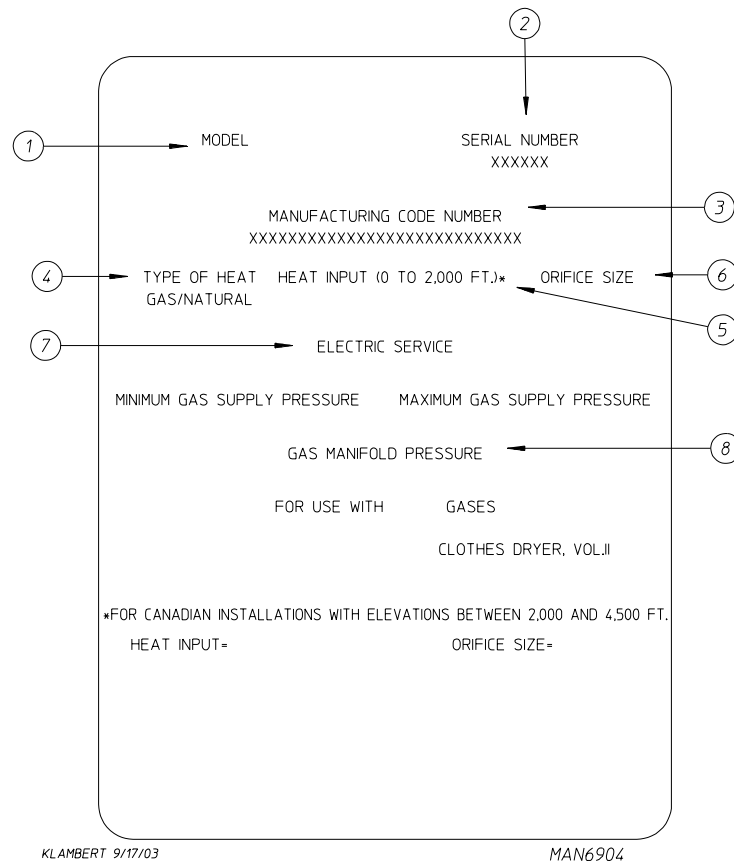
### **A. DATA LABEL LOCATION**

The dryer data label is located in the upper basket (tumbler) gas train area (left middle section of dryer) as shown in the photo below.



## B. DATA LABEL

The data label includes **ALL** the pertinent information about the dryer necessary to ensure the dryer is installed with the proper services (i.e. type of gas and electric voltage, etc.). It also includes **ALL** the necessary data for technical support and parts information. When contacting the **Maytag Co.**, please have the **model** and **serial numbers** available. This information is necessary to ensure proper service and parts information from the manufacturer.



1. **MODEL NUMBER** – Describes the size of the dryer and the type of heat (gas, electric, or steam).
2. **SERIAL NUMBER** – Allows the manufacturer to gather information on your particular dryer.
3. **MANUFACTURING CODE NUMBER** – The number issued by the manufacturer, which describes **ALL** possible options on your particular model.
4. **TYPE OF HEAT** – This describes the type of heat for your particular dryer, gas (either natural gas or liquid propane [L.P.] gas), electric, or steam.
5. **HEAT INPUT** (for GAS DRYERS) – This describes the heat input in British thermal units per hour (Btu/hr).
6. **ORIFICE SIZE** (for GAS DRYERS) – Gives the number drill size used.
7. **ELECTRIC SERVICE** – This describes the electric service for your particular model.
8. **GAS MANIFOLD PRESSURE** (for GAS DRYERS) – This describes the manifold pressure taken at the gas valve tap.

