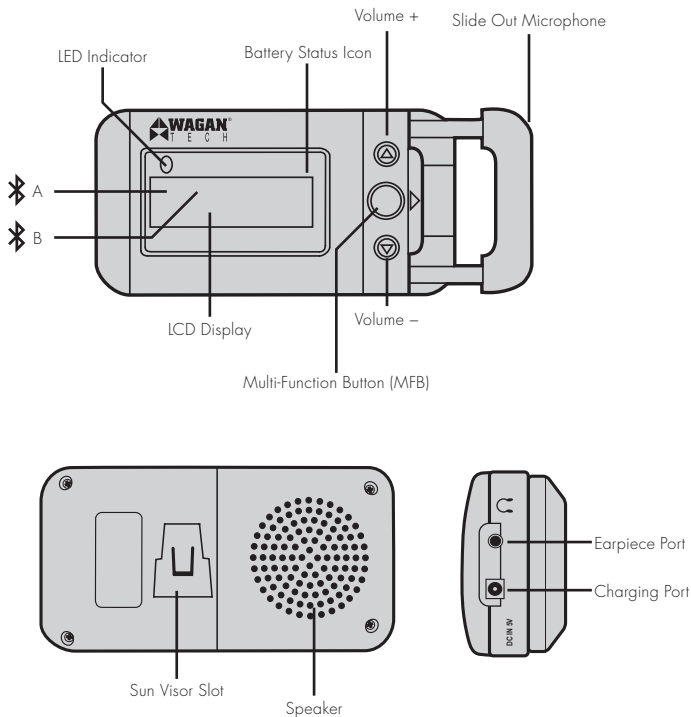


Bluetooth[®] Wireless Handsfree Car Kit



User's Manual

Bluetooth® Wireless Handsfree Car Kit by Wagan Tech



Thank you for purchasing the Bluetooth® Wireless Handsfree Car Kit by Wagan Tech. With normal care and proper treatment it will provide years of reliable service. Please read all operating instructions carefully before use.

PRODUCT DESCRIPTION

- The BLUETOOTH WIRELESS HANDSFREE CAR KIT consists of an easy to operate rechargeable speakerphone, portable for use anywhere. It is specially designed for connecting Bluetooth compatible mobile phones without wires in the vehicle.
- You can enjoy the freedom of wireless communication, even if your car engine is turned on or off. No power connection or connection to the mobile phone is required to use this unit.
- Using the single-button control of the Handsfree, you can make and answer calls without touching the phone. The unit works even if you leave the phone in your pocket or anywhere inside the car.
- The built-in DSP circuit cancels and suppresses echo and background noise.
- This Handsfree car kit is specially designed for Bluetooth mobile phones or other Bluetooth compatible devices that support the Handsfree or Headset profiles.


Note: Bluetooth wireless technology is a worldwide specification designed for low power consumption and short range based in a low cost system. It provides links between mobile computers, mobile phones and other portable and handheld devices, as well as connectivity to the internet.

GETTING STARTED

For the first time using the Handsfree, please:



- Charge Handsfree speakerphone unit with the provided charger for 3 hours.
- Ensure a mobile phone that supports Bluetooth functions is ready for pairing.


QUICK START GUIDE

Status	Operation	LED Indicator & Sound	LCD Display
Switch On	Slide the microphone out.	2 beeps rising in tone sound when turning on the unit. Blue LED flashes every 5 seconds, indicating in idle mode	HF009 > BLUETOOTH
Connect/ Re-connect (with paired phone)	In idle mode, press Multi-Function Key once or select paired device "HF009" on mobile phone, and then select "Connect".	Blue LED flashes every second indicating searching for paired devices. If connected to mobile with Handsfree Pro-file, blue LED always on indicates in standby mode	Connecting > BLUETOOTH >  A

Status	Operation	LED Indicator & Sound	LCD Display
Switch Off	Push the microphone back in.	LED indicator goes off	—
Pairing (for the first time using the Handsfree)	<ol style="list-style-type: none"> 1. Switch on the Handsfree. 2. Enable Bluetooth feature of the mobile phone. 3. In the Bluetooth menu, select "Add Device" or "Search For Device". 4. "HF009" appears in the device list, press "Yes". 5. Enter fixed pass key "8888". Pairing completes. 6. Edit the device name if you would like to personalize it. 	LED flashes blue every 5 seconds, indicating in idle mode. If connected with Handsfree Profile, blue LED always on indicates in standby mode.	Mobile phone model name > Connecting > BLUETOOTH
Receive Call	When Handsfree is ringing, press Multi-Function Key once	—	Call number > Active Call
Reject Call	When Handsfree is ringing, press Multi-Function Key twice.	—	BLUETOOTH

Bluetooth® Wireless Handsfree Car Kit by Wagan Tech

Status	Operation	LED Indicator & Sound	LCD Display
End Call	During a call, press Multi-Function Key once	—	BLUETOOTH
Pairing for a second phone	<ol style="list-style-type: none"> 1. Press the Multi-Function button for 2 to 3 seconds until "BLUETOOTH" appears on the display. 2. Search for Bluetooth devices from your second phone. 3. Select "HF009" from the list. 4. Enter the fixed pass key "8888". Pairing completes. 5. Edit the device name if you would like to personalize it. 	LED flashes blue every second, indicating in idle mode. If connected with Handsfree Profile, blue LED always on indicates in standby mode	BLUETOOTH > Connecting >  A  B
Redial last number	In standby mode, press Multi-Function Key twice.	—	Redial
Voice dial	In standby mode, press Multi-Function Key once.	A tone from the Handsfree indicates the phone is ready to receive voice tag.	Voice Call > Dialing

Status	Operation	LED Indicator & Sound	LCD Display
Mute microphone	During a call, click "+" and "-" buttons together once. Click again for unmute.	Single beep sounds. (You can still hear the other side.)	MUTE MIC / UNMUTE MIC
Adjust Volume	Click "+" or "-" button to control the volume up or down.	—	VOL 
Privacy call	Connect external headphone to headphone port.	—	—
Disconnect with mobile	Press & hold "+" for 2 seconds. To reconnect to phone, click Multi-Function Key once	—	BLUETOOTH
Low battery	—	LED flashes Red & Blue, and single beep sounds	Low Battery
Charging	Connect to charger	Solid red LED	Charging
Charging completed	Within 3 hours	Red LED turns off	BLUETOOTH

CHARGING

Charge with the DC charger (cigarette lighter adaptor). Switch on the Handsfree. Connect the DC charger to the in-car cigarette lighter socket, and then to the charging port of the Handsfree. The LED indicator will be constantly red.

Bluetooth® Wireless Handsfree Car Kit by Wagan Tech

- Maximum charging time: 3 hours
- Red LED indicator shuts off when fully charged
- Talking time: up to 13 hours
- Standby time: up to 220 hours
- Low battery signal: LED indicator flashes blue & red, single beep sounds until Handsfree is recharged
- Do not charge for more than 24 hours

SWITCH ON / OFF

Switch on Handsfree

Simply slide out microphone across to the right from off mode; you will hear 2 beeps rising in tone sound and the LED indicator flashes blue.

Switch off Handsfree

Simply push the microphone back in, and the LED indicator turns off.

PAIRING WITH A PHONE

Before using the Handsfree, you must pair it with the mobile phone first. Once the Handsfree and the phone have been paired. They store the ID of each other in their memory. Thus they can re-connect to each other automatically. You can check, delete or rename the paired device in the devices list of the mobile phone.

Multipoint Pairing and Connecting Phone "A"

1. Turn ON the Handsfree by simply pulling open the microphone. Wait for 10 seconds until HF009 reverts back to the default "Bluetooth" screen.
2. Ensure you mobile phone is within 1 meter distance and Bluetooth functionality is activated. Search for Bluetooth devices (refer to your mobile

phone user manual).

3. When your mobile phone has detected the device, "HF009" will be displayed on your mobile phone screen. Select "HF009" and proceed to Pairing.
4. You will be requested to enter passcode "8888". Depending on your phone model select "HF009" and connect with the Handsfree.
5. On the Handsfree display screen your phone name or model will be displayed.
6. Your first phone Paired will be regarded as the priority phone and will be allocated as phone "A" each time you will turn on the Handsfree it will automatically connect to this phone "A".

Pairing and Connecting Second Phone "B"

While the Handsfree is connected to phone "A" press and hold the MFB (Multi-Function Button) until the Handsfree displays "Bluetooth". Follow steps 1 to 5 as above. Your second phone will be allocated as phone "B".

Switching Between phones

While both phones are connected press and hold the MFB until the Handsfree displays the phone name you want.

Re-connecting Phone "B".

With Phone "A" connected, press and hold the MFB until the Handsfree displays Bluetooth. Now press the MFB for 1 second, and the Handsfree will initiate connection to your phone "B". You can revert back to phone "A" by pressing and holding the MFB.

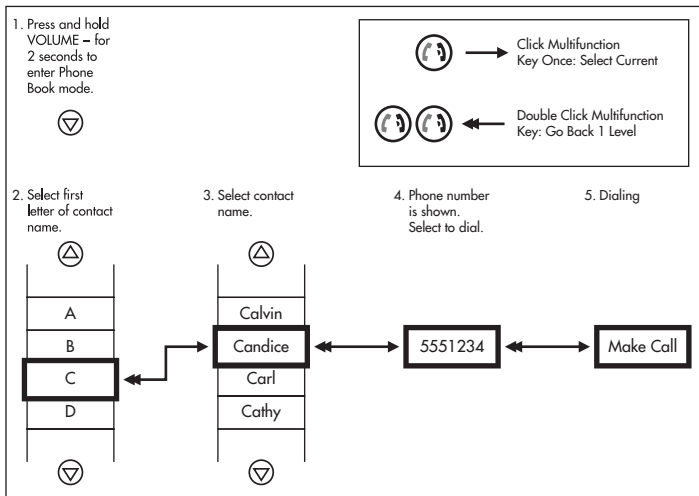
CHECK RECORDS / DIAL FROM PHONE BOOK

1. In standby mode, press & hold "Volume –" button for 2 seconds to enter

Bluetooth® Wireless Handsfree Car Kit by Wagan Tech

phone book menu.

2. LCD displays letter "A". This is the 1st level of the menu, click "Volume +" or "Volume -" to move to other letters. The phone book records the 1st letter of the names which are listed in alphabetical order. Other symbols are listed in "[]".
3. Click the Multi-Function Key to select the desired letter. This is the 2nd level of the menu. The names under the selected letter will be shown. Click "Volume +" or "Volume -" to move to other names.
4. Click the Multi-Function Key to select the desired name. The phone number will be shown.



5. Click the Multi-Function Key to dial the number.

EXIT PHONE BOOK

Double click the Multi-Function Key to go back to the previous menu level or exit the menu. (When there is an incoming call or you are connecting/disconnecting from your phone, the phone book menu will be exited automatically.)

ERASE ALL PHONE BOOK RECORDS

1. Disconnect the phone from the Handsfree. Press and hold the "Volume +" button for 2 seconds.
2. Click the volume "+" and "-" buttons at the same time.
3. The Handsfree will display "Erase?" Press "+" to erase all phone book records. Press "-" to take no action.

TRANSFERRING PHONE BOOK RECORDS

You can transfer a single record or all the records from your phone at once. Some phone models support single record transfer only. The following are the general operating steps for your reference. For further details, please refer to your phone's user manual.

Transfer single record

1. Pair and connect the phone with the Handsfree
2. Disconnect the phone with the Handsfree (press and hold "Volume +" for 2 seconds)
3. Find the phone book records in the phone. They are inside the "Contact / Phone book" menu. Select the record you will transfer.

Bluetooth® Wireless Handsfree Car Kit by Wagan Tech

4. From "Option / More", select "Send Bus.Card/ Send contact"
5. Select "Via Bluetooth". The phone searches and lists the Bluetooth devices nearby.
6. Select "HF009". The phone will send the record(s) and displays "Business card sent", the Handsfree displays "reading XXX (XXX is the number of records received)"
7. If you would like to transfer more records, repeat steps 3–6
8. After all the records needed are transferred, make sure you are not inside the phone book menu of the Handsfree.
9. Press and hold "Volume –" for 2 seconds. The Handsfree displays "Writing...", then "Import XXX", then "Pbook OK" and then "BLUETOOTH".
10. Reconnect the phone with the Handsfree

Transfer all records

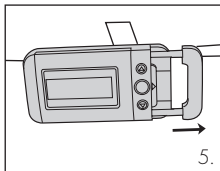
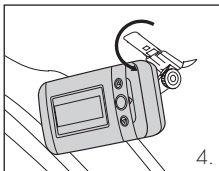
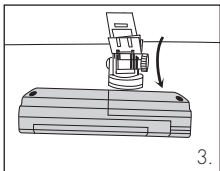
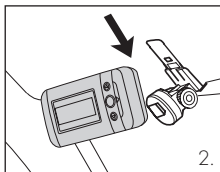
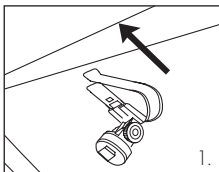
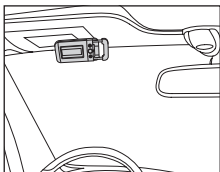
1. Pair and connect the phone with the Handsfree
2. Disconnect the phone with the Handsfree (press and hold "Volume +" for 2 seconds)
3. Inside the "Contacts/Phone book" menu, select "Option/Advanced"
4. Select "send all" (some mobile phone may not have such function to send all)
5. Select "Via Bluetooth". The phone searches and lists the Bluetooth devices nearby.
6. Select "HF009". The phone will send the record(s) and displays "Business card sent", the Handsfree displays "reading XXX (XXX is the number of records received)"
7. After all the records needed are transferred, make sure you are not inside the phone book menu of the Handsfree.

8. Press and hold "Volume -" for 2 seconds. The Handsfree displays "Writing...", then "import XXX", then "Pbook OK" and then "BLUETOOTH".
9. Reconnect the phone with the Handsfree

Note: When the memory (250 records) is full, The Handsfree will not receive the extra records. Do not use punctuation when entering the contact name such as . ; \ It will cancel the process. Some phone models do not support transferring records from the SIM card directly. In such cases, copy records from the SIM card to the phone first. Do not press any buttons on the Handsfree during the record transfer process. It will cause the transfer process to be cancelled.

IN-CAR USE

1. Inside the car, clip the provided bracket to the sun visor as shown.
2. Fit the Handsfree onto the bracket.

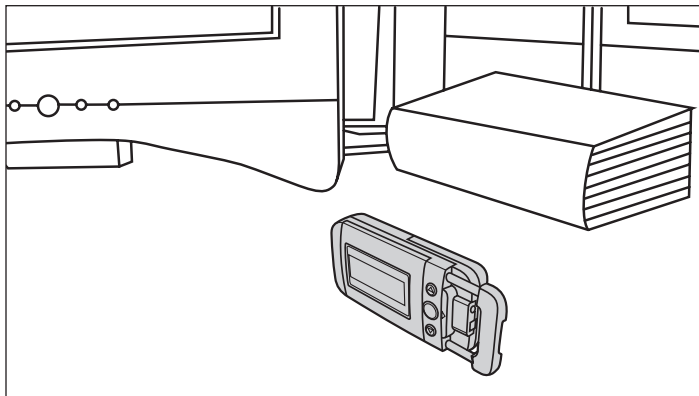


Bluetooth® Wireless Handsfree Car Kit by Wagan Tech

3. To flip the Handsfree up or down, slacken the screw of bracket gently.
4. After the Handsfree has been adjusted to a comfortable view angle facing you, tighten the screw.
5. Slide out the microphone to switch on. For the best performance, extend the microphone fully.

OFFICE OR HOME USE

1. Put the Handsfree on a desktop or other flat surface.



- Slide out the microphone to switch on. For the best performance, extend the microphone fully.

CARE AND MAINTENANCE

- Check the laws and regulations on the use of mobile phones and Handsfree equipment in the area where you drive.
- Always pay full attention to the road while driving. In some areas, you are required to pull off the road and park before making or answering a call.
- Do not expose the Handsfree to extreme temperatures or direct sunlight.
- Do not expose it to moisture or humidity. Keep it away from any liquids or chemicals.
- Do not keep the device in dusty or dirty areas. Only use a soft, damp cloth to clean it.
- Do not attempt to disassemble the Handsfree or the chargers.
- Do not try to replace the rechargeable battery inside the Handsfree.
- Charge the Handsfree only with the supplied charger.
- Charger can only be used indoors under normal temperature and humidity.

SPECIFICATIONS

Bluetooth Specification	Version 2.0 compliant
Bluetooth Profile Supported	Headset and Handsfree Profiles
Frequency Range	2.4 GHz spectrum
Working Distance Range	10 Meters (class 2)

Bluetooth® Wireless Handsfree Car Kit by Wagan Tech

Dimensions (main unit)	110 (L) x 57(W) x 29(T) mm
Weight (main unit)	106 g
LCD Display	Dot matrix rolling display, battery status icon, backlight
Phone book	Bluetooth wireless download, stores up to 250 records
DSP	Full duplex transmission, noise suppression and echo cancellation
Pairing	Memorize up to 8 mobile phones simultaneously
Charging Time	Within 3 hours
Talk Time	Up to 15 hours
Standby Time	Up to 220 hours
Rechargeable Battery	Lithium-ion, 3.7V, 880mAh installed
Battery Protection	Over charge and over discharge protection
Input Current	350 mA (internal controlled)
Input Voltage	DC 5V
Speaker Power	2W (max)
Speaker Impedance	8 ohm
Sensitivity of Microphone	-47 dB





Please activate my limited warranty for WAGAN Corp.

Name		
Mailing Address		
City		
State, Zip code		
E-mail Address		
Item Purchased		Item No.
Store Name		
Date of Purchase		
Signature		Date

All WAGAN Corporation Products must be registered within (30) days of purchase to activate this warranty. Mail the complete registration form, along with a copy of the original sales receipt to:

Attn: Customer Service
WAGAN Corporation
31088 San Clemente St.
Hayward, CA 94544
U.S.A.

WAGAN CORP. LIMITED WARRANTY

All WAGAN Corporation products are warranted to the original purchaser of this product.

Warranty Duration: This product is warranted to the original purchaser for a period of one (1) Year from the original purchase date, to be free of defects in material and workmanship. WAGAN Corporation disclaims any liability for consequential damages. In no event will WAGAN Corporation be responsible for any amount of damages beyond the amount paid for the product at retail. In the event of a defective item, please contact WAGAN Corporation at (800) 231-5806 to obtain a Returned Merchandise Authorization number (RMA#), and return instructions. Each item returned will require a separate RMA#. After you have received the RMA# and the return instructions from WAGAN Corporation, please follow the instructions and send the item with PREPAID SHIPPING, along with all of the required documentation, a complete explanation of the problem, your name, address and daytime phone number. WAGAN Corporation will, at its option, replace or repair the defective part.

A Returned Merchandise Authorization number (RMA#) is REQUIRED when sending in any defective item. WAGAN Corporation is not responsible for any item(s) returned without an official Returned Merchandise Authorization number. The item(s) must be returned with prepaid shipping. WAGAN Corporation is not responsible for any shipping charges incurred in returning the item(s) back to the company for repair or replacement. This warranty is void if the product has been damaged by accident, in shipment, unreasonable use, misuse, neglect, improper service, commercial use, repairs by unauthorized personnel or other causes not arising out of defects in materials or workmanship. This warranty is effective only if the product is purchased and operated in the USA and does not extend to any units which have been used in violation of written instructions furnished.

Warranty Disclaimers: This warranty is in lieu of all warranties expressed or implied and no representative or person is authorized to assume any other liability in connection with the sale of our products. There shall be no claims for defects or failure of performance or product failure under any theory of tort, contract or commercial law including, but not limited to negligence, gross negligence, strict liability, breach of warranty and breach of contract.

Warranty Performance: During the above one (1) Year warranty period, a product with a defect will be replaced with a comparable model when the product is returned to WAGAN Corporation with an original store receipt. The replacement product will be in warranty for the balance of the one (1) Year warranty period.

©2008 WAGAN Corp. *Updated August 2008*



www.wagan.com

customerservice@wagan.com

USA & CAN Toll Free: 1.800.231.5806

Tel: 1.510.471.9221

31088 San Clemente Street

Hayward, CA 94544

U.S.A.