



# Color StyleWriter 2200

*Setting up, connecting, and using your printer*

 Apple Computer, Inc.

© 1995 Apple Computer, Inc. All rights reserved.

Under the copyright laws, this manual may not be copied, in whole or in part, without the written consent of Apple.

The Apple logo is a trademark of Apple Computer, Inc., registered in the U.S. and other countries. Use of the “keyboard” Apple logo (Option-Shift-K) for commercial purposes without the prior written consent of Apple may constitute trademark infringement and unfair competition in violation of federal and state laws.

Every effort has been made to ensure that the information in this manual is accurate. Apple is not responsible for printing or clerical errors.

Apple Computer, Inc.  
1 Infinite Loop  
Cupertino, CA 95014-2084  
(408) 996-1010

Apple, the Apple logo, AppleShare, AppleTalk, EtherTalk, LaserWriter, LocalTalk, Macintosh, PowerBook, StyleWriter, TokenTalk, and TrueType are trademarks of Apple Computer, Inc., registered in the U.S. and other countries.

Chicago, the Dogcow logo, Finder, Geneva, ColorShare, Monaco, New York, QuickDraw, and Zeal are trademarks of Apple Computer, Inc.

Adobe, Adobe Illustrator, Adobe Photoshop, Adobe Type Manager, and PostScript are trademarks of Adobe Systems Incorporated, which may be registered in certain jurisdictions.

Bitstream is a registered trademark of Bitstream, Inc.

Classic is a registered trademark licensed to Apple Computer, Inc.

Delphian and Nadianne are trademarks of Miles, Inc.

ExposurePro is a registered trademark of Baseline Publishing, Inc.

Fontek is a registered trademark of Esselte Pendaflex Corporation in the U.S.A.

Helvetica, Palatino, and Times are registered trademarks of Linotype-Hell AG.

ITC Avant Garde, ITC Bookman, ITC Garamond, ITC Lubalin Graph, ITC Machine, ITC Zapf Chancery, and ITC Zapf Dingbats are registered trademarks of International Typeface Corporation.

Lucida is a registered trademark of Bigelow & Holmes, Inc.

Old English Text is a registered trademark, and Onyx and Swing are trademarks, of Monotype Corporation plc.

Oxford is a trademark of AlphaOmega Typography, Inc.

QMS is a registered trademark of QMS, Inc.

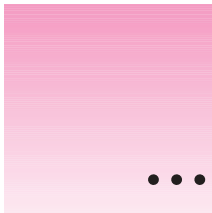
QuarkXPress is a registered trademark of Quark, Inc.

SuperPaint is a registered trademark of Aldus Corporation.

Tektronix is a registered trademark of Tektronix, Inc.

Simultaneously published in the United States and Canada.

Mention of third-party products is for informational purposes only and constitutes neither an endorsement nor a recommendation. Apple assumes no responsibility with regard to the performance or use of these products.



# Contents

Communications regulation information vii

**Welcome ix**

## **1 Setting Up Your Printer 1**

Special setups 1

Important safety instructions 2

Unpacking the printer 3

Getting acquainted with the Color StyleWriter 2200 5

Plugging in the printer 6

Turning the printer on and off 7

Installing an ink cartridge 8

Connecting the printer to your Macintosh 13

Loading paper into the sheet feeder 14

Checking the print nozzles 15

Installing your printer software 16

Telling your computer to use the Color StyleWriter 2200 19

Printing a document to make sure everything's working 21

What's next? 22

<b>2</b>	<b>Printing</b>	<b>23</b>
	Using the right ink cartridge for your documents	23
	Planning documents with the Color StyleWriter 2200 in mind	24
	Positioning print materials in the sheet feeder	25
	Printing a document	27
	Adjusting color options	32
	Creating special effects on the Color StyleWriter 2200	34
	Switching between printers	38
	Creating, throwing away, and manipulating desktop printer icons	40
	Determining the status of a printer by looking at its icon	40
	Printing while you use your computer	41
	Monitoring and controlling background printing	42
	Sharing your printer with other users	44
	Printing on a shared Color StyleWriter 2200	46
<b>3</b>	<b>Using the Battery Attachment</b>	<b>49</b>
	Connecting the battery attachment	49
	Charging the battery	54
	Giving the battery a complete charge	55
	Replacing the battery	56
	Printing using the battery	59
	Battery tips	60
<b>4</b>	<b>Tips on Paper, Quality, Speed, and Cost</b>	<b>61</b>
	Choosing print materials	61
	Quality	63
	Speed	64
	Cost	64

<b>5</b>	<b>Maintaining Your Printer</b>	<b>65</b>
	Replacing ink tanks	65
	Replacing an ink cartridge	67
	Storing the ink cartridge you aren't using	68
	Cleaning the print head	69
	Cleaning the outside of the printer	71
	Cleaning the inside of the printer	72
	Travel tips	73
<b>6</b>	<b>Troubleshooting</b>	<b>75</b>
	Safety precautions	76
	The Chooser doesn't show the Color StyleWriter 2200 icon	76
	Installation is unsuccessful	76
	The computer crashes while attempting to print	79
	The Macintosh doesn't recognize the Color StyleWriter 2200	79
	Desktop printer icons behave unusually	80
	A PowerBook has trouble printing to the Color StyleWriter 2200	81
	The lights indicate a problem	81
	The printer seems slow	82
	Paper is jammed	83
	More than one piece of paper passes through the printer at a time	84
	Paper or envelopes feed improperly	84
	The Color StyleWriter 2200 won't print a particular document	85
	The printer acts as if it's working, but nothing is printed on the page	86
	Messages appear on your computer screen	86
	Memory is low	87
	Documents did not print as expected	88
	Print quality is poor	90
	Ink tanks run out of ink too quickly	92

<b>A</b>	<b>Technical Information</b>	<b>93</b>
<b>B</b>	<b>Using Fonts With the Color StyleWriter 2200 Printer</b>	<b>97</b>
<b>C</b>	<b>Working With ColorSync</b>	<b>113</b>
<b>D</b>	<b>Printing With QuickDraw GX</b>	<b>117</b>
<b>E</b>	<b>Removing the Desktop Printing Software</b>	<b>127</b>
	<b>Index</b>	<b>131</b>

## Communications regulation information

### FCC statement

This equipment has been tested and found to comply with the limits for a Class B digital device in accordance with the specifications in Part 15 of FCC rules. See instructions if interference to radio or television reception is suspected.

### Radio and television interference

The equipment described in this manual generates, uses, and can radiate radio-frequency energy. If it is not installed and used properly—that is, in strict accordance with Apple’s instructions—it may cause interference with radio and television reception.

This equipment has been tested and found to comply with the limits for a Class B digital device in accordance with the specifications in Part 15 of FCC rules. These specifications are designed to provide reasonable protection against such interference in a residential installation. However, there is no guarantee that interference will not occur in a particular installation.

You can determine whether your computer system is causing interference by turning it off. If the interference stops, it was probably caused by the computer or one of the peripheral devices.

If your computer system does cause interference to radio or television reception, try to correct the interference by using one or more of the following measures:

- Turn the television or radio antenna until the interference stops.
- Move the computer to one side or the other of the television or radio.
- Move the computer farther away from the television or radio.
- Plug the computer into an outlet that is on a different circuit from the television or radio. (That is, make certain the computer and the television or radio are on circuits controlled by different circuit breakers or fuses.)

If necessary, consult an Apple-authorized service provider or Apple. See the service and support information that came with your Apple product. Or, consult an experienced radio/television technician for additional suggestions. You may find the following booklet helpful: *Interference Handbook* (stock number 004-000-00493-1). This booklet, prepared by the Federal Communications Commission, is available from the U.S. Government Printing Office, Washington, DC 20402.

**Important** Changes or modifications to this product not authorized by Apple Computer, Inc., could void the FCC Certification and negate your authority to operate the product.

This product was tested for FCC compliance under conditions that included the use of Apple peripheral devices and Apple shielded cables and connectors between system components. It is important that you use Apple peripheral devices and shielded cables and connectors between system components to reduce the possibility of causing interference to radios, television sets, and other electronic devices. You can obtain Apple peripheral devices and the proper shielded cables and connectors through an Apple-authorized dealer. For non-Apple peripheral devices, contact the manufacturer or dealer for assistance.

### **DOC statement**

*DOC Class B Compliance* This digital apparatus does not exceed the Class B limits for radio noise emissions from digital apparatus as set out in the interference-causing equipment standard entitled “Digital Apparatus,” ICES-003 of the Department of Communications.

*Observation des normes—Classe B* Cet appareil numérique respecte les limites de bruits radioélectriques applicables aux appareils numériques de Classe B prescrites dans la norme sur le matériel brouilleur: “Appareils Numériques,” NMB-003 édictée par le ministre des Communications.

### **VCCI statement**

#### 情報処理装置等電波障害自主規制について

この装置は、第二種情報装置（住宅地域又はその隣接した地域において使用されるべき情報装置）で住宅地域での電波障害防止を目的とした情報処理装置等電波障害自主規制協議会（VCCI）基準に適合しております。

しかし、本装置をラジオ、テレビジョン受信機に近接してご使用になると、受信障害の原因となることがあります。

取扱説明書に従って正しい取り扱いをしてください。







## Welcome

Congratulations on your purchase of the Color StyleWriter 2200 printer. This book describes how to set up the printer and how to use it.

### Main features of the Color StyleWriter 2200

- High-quality color graphics with true black and high-resolution black text print on a variety of materials, including plain paper, envelopes, transparencies, and back-print film.
- Small size and light weight allow truly portable, high-quality mobile printing.
- A built-in automatic sheet feeder holds up to 30 sheets of paper or up to 5 envelopes.
- Printer is quiet and fast, at up to 5 black-and-white pages per minute, or one color page in less than three minutes.
- Multiple pages can be printed on the same sheet and customizable watermarks can be printed in the background.
- Ink cartridges and ink tanks are easy to replace.
- Specially formulated inks are both water-resistant and light-resistant to provide vibrant colors that resist fading.
- New printing software allows you to print a document simply by dragging it onto a desktop printer icon.

- 64 available TrueType (outline) fonts print smoothly in a variety of sizes.
- ColorShare, installed with the printer software, allows you to share the printer with anyone on your AppleTalk network (including people using LocalTalk, EtherTalk, or TokenTalk).
- ColorSync, installed with the printer software, ensures colors on your monitor match those produced on your printer.
- A high-speed serial interface transfers documents at over three times the rate of LocalTalk and over 14 times the rate of a standard serial interface.
- An optional universal power adapter provides compatibility with power standards around the world.
- An optional battery attachment allows you to print anywhere, any time.

### Changes to the printing software that affect other printers

The software that comes with the Color StyleWriter 2200 also upgrades the software for many other printers. If you use a printer that uses Apple's PrintMonitor application program, including all LaserWriter and all StyleWriter printers, please note the following changes:

- The new printing software includes a feature called desktop printing, which gives you new ways to print from the desktop. For details, see "Desktop Printing" in the "Printing a Document" section in Chapter 2.
- You also use the desktop printing features (instead of Apple's PrintMonitor program) to monitor background printing. See "Monitoring and Controlling Background Printing" in Chapter 2.

## System requirements

To install the printer software and use the Color StyleWriter 2200 printer with your Macintosh computer, you need

- a Macintosh with a 68020 or higher central processing unit (CPU). Any Macintosh except a Macintosh Plus, SE, Classic®, Portable, or PowerBook 100 will work with the Color StyleWriter 2200.
- system software version 7.1 or a later version
- at least 4 megabytes of random-access memory (RAM)
- some space available on your hard disk (during installation the program tells you if you need more disk space)

The Installer program that comes with the Color StyleWriter 2200 automatically checks whether your computer meets these requirements.

# 1

## Setting Up Your Printer



This chapter introduces the Apple Color StyleWriter 2200 printer and explains how to set it up. After you follow the instructions in this chapter, you'll be ready to print.

**Before you begin** Make sure that your Macintosh computer is already set up and that you know the basics of its operation. Then, before you start unpacking the printer, take a moment to review the following information on safety issues and special setup situations.

### Special setups

This chapter explains how to set up the Color StyleWriter 2200 no matter what your situation is. Here are two special situations you might want to take note of:

- **You plan to share the Color StyleWriter 2200 with others on your network.** Even if you plan to share the printer with others on your AppleTalk network, you must first set it up as described in Chapter 1. (That is, you must connect it directly to your computer rather than connecting it to the network.) When you're finished with this chapter, see "Sharing Your Printer With Other Users" and "Printing on a Shared Color StyleWriter 2200," both of which are in Chapter 2.
- **You use QuickDraw GX.** If you use QuickDraw GX, follow the setup instructions in this chapter, then see Appendix D for instructions on using the Color StyleWriter 2200 QuickDraw GX software.

## Important safety instructions

Always take the following precautions:

- Always turn off the printer before unplugging it.
- Keep the ink cartridges and ink tanks away from children.
- Keep the printer away from sources of liquids, such as wash basins, bathtubs, and shower stalls.
- Protect the printer from dampness or wet weather, such as rain and snow.
- Read all the installation instructions carefully before you plug the printer into a wall socket.
- Keep these instructions handy for reference by you and others.
- Follow all instructions and warnings dealing with your computer system.
- Don't use devices that produce open flames, such as Bunsen burners, near the printer.
- Don't use alcohol-based or ammonia-based cleaners on or around the printer.
- Clean the outside of the printer with only a damp cloth and, if necessary, a mild soap or detergent. Be careful not to get liquid into the printer or the power cord receptacle.

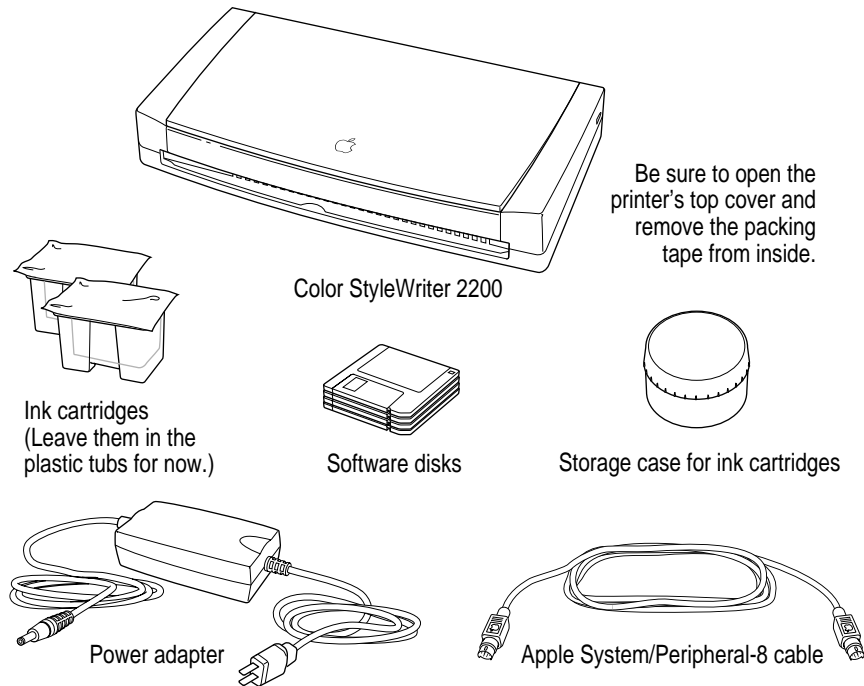
### Watch for these situations, and if one occurs pull the plug!

- the power cord or plug becomes frayed or otherwise damaged
- you spill something into the printer
- the printer is exposed to rain or any other excess moisture
- the printer has been dropped or otherwise damaged
- you suspect that your printer needs service or repair
- you want to clean the printer (use only the procedure recommended in Chapter 5)

**WARNING** Electrical equipment may be hazardous if misused. Operation of this product, or similar products, must always be supervised by an adult. Do not allow children access to the interior of any electrical product and do not permit them to handle any cables.

## Unpacking the printer

- 1** Remove everything from the shipping box, but leave the ink cartridges in their packages.



- 2** Remove the tape and packing material from the inside and outside of the printer.

Save the carton and the packing material in case you ever need to ship the printer.

Note that the Color StyleWriter 2200 comes with two ink cartridges: a color cartridge that contains two replaceable ink tanks and a black cartridge that contains one replaceable black ink tank.

Don't accidentally discard the ink cartridge storage case. You need it to store an opened cartridge that you're not using in the printer. The case keeps the print head from drying out and prevents accidents with ink stains.

**3 Choose a location near your computer to use your printer.**

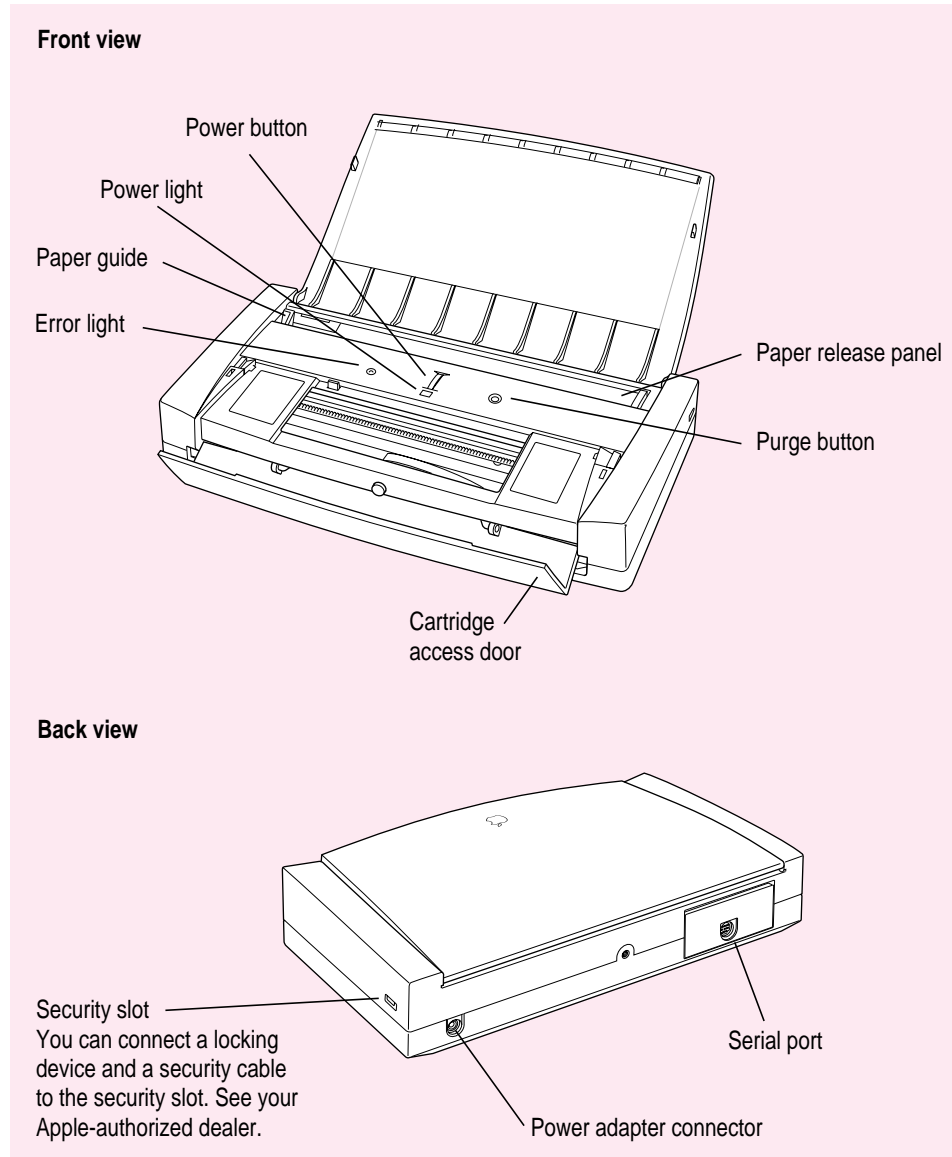
Make sure the location meets these requirements:

- a level (not slanted) surface
- good ventilation
- out of direct sunlight
- never gets damp or very hot or very cold
- away from devices that could cause electromagnetic interference, such as stereo speakers or cordless telephone transmitters

See Appendix A, “Technical Information,” for specific information about the physical requirements of your printer.

## Getting acquainted with the Color StyleWriter 2200

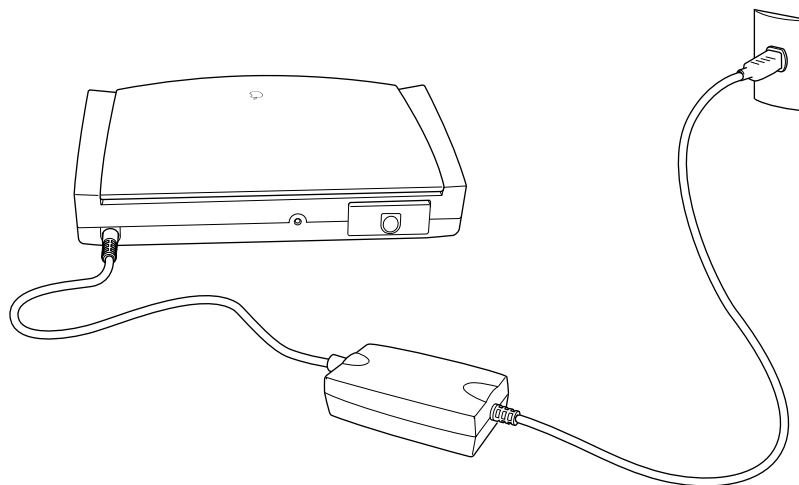
Now that the printer is unpacked, take a look at it to familiarize yourself with its parts.





## Plugging in the printer

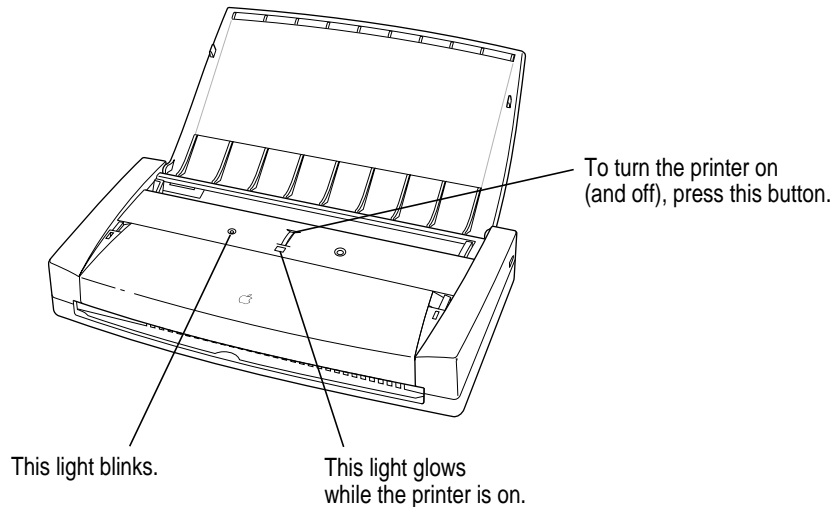
Plug the connector end of the power adapter into the printer and then plug the other end of the adapter into a wall outlet or power strip.



## Turning the printer on and off

You press the power button to turn the printer on and off.

When you plug in the printer, you'll hear the printer preparing itself. Before you press the power button to turn the printer on, wait a few moments for the preparation sounds to subside.



After you press the power button, you'll hear the printer preparing itself again for several seconds.

**Saving energy** When you save energy, you save natural resources and reduce pollution. Your Color StyleWriter 2200 saves energy by automatically turning itself off after sitting unused for about 5 minutes. You can also save energy by using the page preview function available in many programs to check page layout rather than printing a draft.

Be sure to turn the printer back on when you want to print.

**IMPORTANT** Except in an emergency, never turn the printer off by unplugging the printer unless the power light indicates that the power is off. If the printer is plugged into a power strip, never turn off the power strip unless you've already turned the printer off. Each time you press the power button to turn off the printer, or the printer turns itself off, it automatically moves the ink cartridge to the right, where it caps the nozzles to keep the ink cartridge from drying out. If you unplug the printer or discontinue power before turning it off, the printer can't position the cartridge in the capped position, the print head may dry out (which can cause gaps in your printing), and you may have to replace the cartridge.

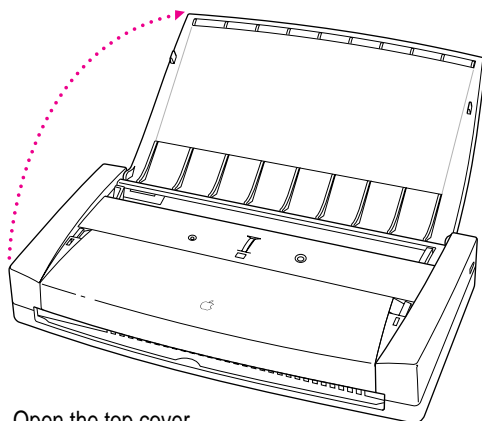
## Installing an ink cartridge

The ink cartridge contains the ink tanks and print head, which sprays the ink onto the paper. Treat the cartridge gently so you don't damage the tiny nozzles.

**WARNING** The carrier holds the ink cartridge and moves it back and forth when you are printing a document. When the printer is plugged in, don't slide the carrier by hand or you may damage the printer.

### 1 Pull up the top cover.

Once the top cover is up, it serves as the printer's sheet feeder.

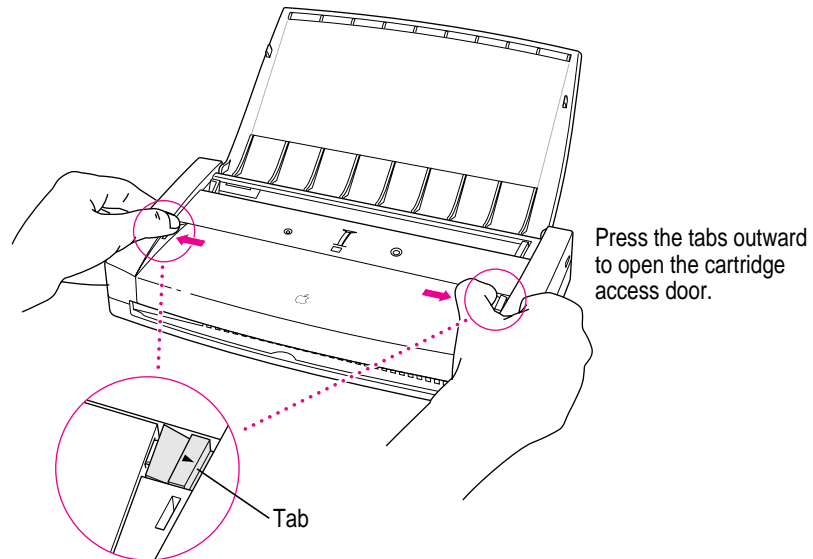


Open the top cover.

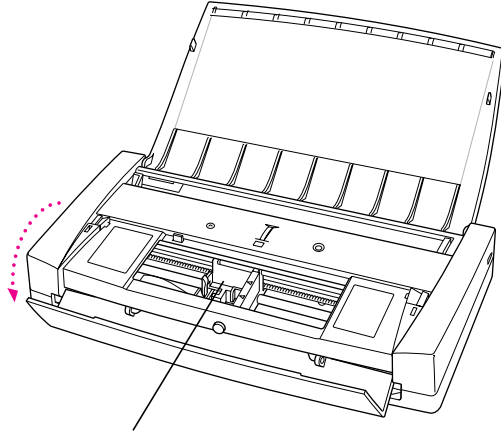
- 2 Press the power button to turn the printer on if necessary.**

The green light flashes, then glows solidly. If this is the first time you are installing an ink cartridge, the amber error light will also blink.

- 3 Locate the tabs on either side of the cartridge access door. Press both tabs outward to release the door.**



- 4 Open the cartridge access door.**



This carrier holds the ink cartridge.

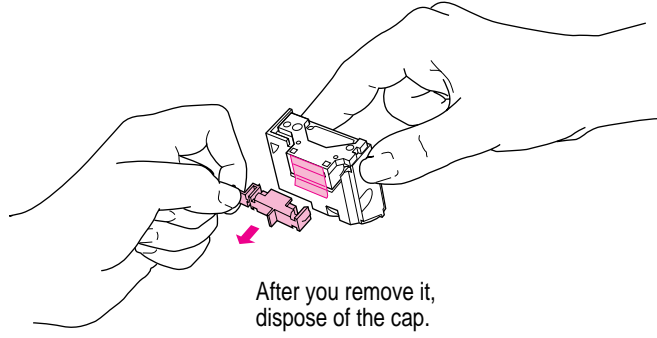
- 5 Wait until the carrier moves to the center of the printer.**
- 6 Remove the cover from the package that contains the ink cartridge.**

You can install either the black cartridge or the color cartridge. (These instructions show the color cartridge being installed, but the process is the same for either cartridge.)

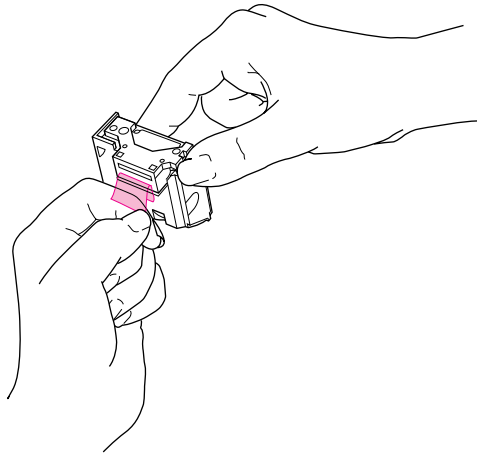
- 7 Remove the ink cartridge from the package, grasping the cartridge by its sides.**

You may touch the plastic on the cartridge, but be careful not to touch any other part.

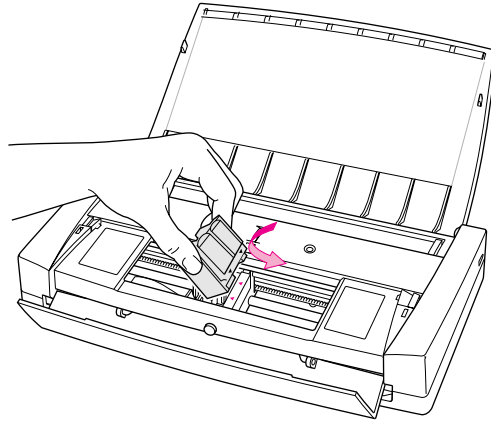
- 8 Remove the bright orange cap from the cartridge's print head.



- 9 Peel the orange tape off the print head.



- 10** Insert the ink cartridge into its place in the printer.

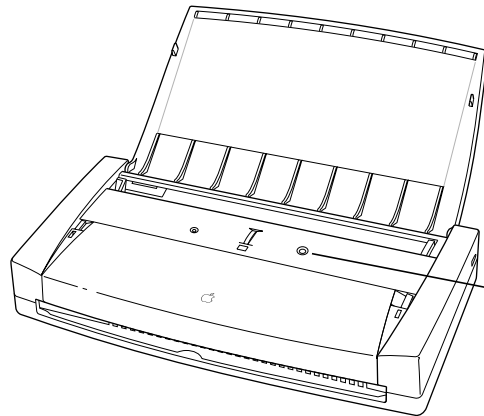


*Note:* Instructions are inscribed on the right side of the cartridge cavity to remind you how to install an ink cartridge.

- 11** Close the cartridge access door.

Make sure to close both sides of the door.

- 12** Press the purge button to draw ink into the nozzles.

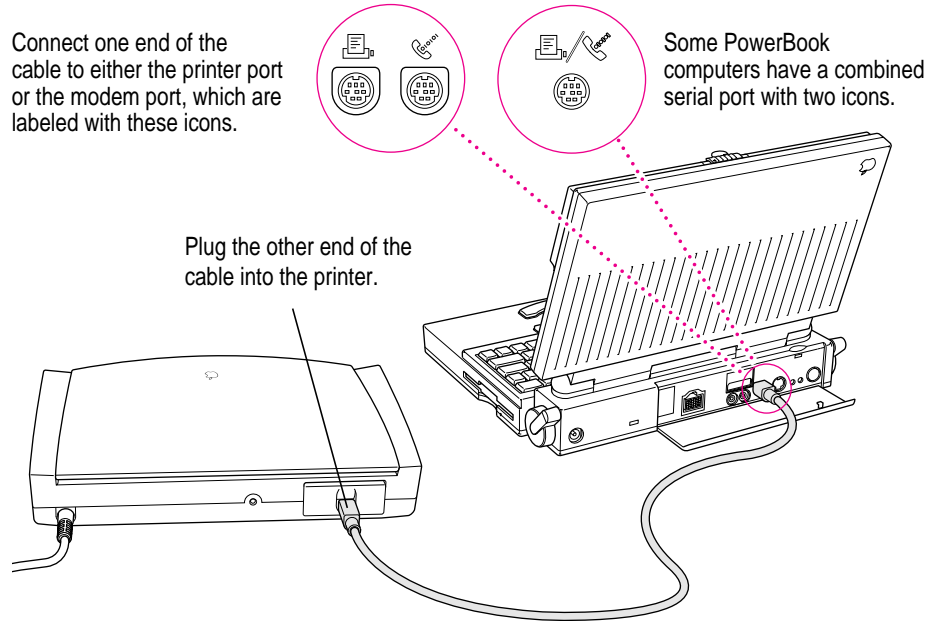


Press the purge button each time you install a new cartridge.

Make sure you press the purge button when you install a new ink cartridge. You may also need to press the purge button if a nozzle appears to be clogged, or if horizontal white lines appear in your document.

## Connecting the printer to your Macintosh

**IMPORTANT** Even if you're planning to share the printer over a network, the Apple System/Peripheral-8 cable must connect the printer directly to the computer. Use only the cable that comes with the printer or a similar replacement. Do not use a LocalTalk cable.



If your computer is connected to a network, a network cable may already be connected to the printer port (🖨️). In that case, use the modem port (📠).

Remember which port you use. Later, you must tell the printer software where to look for the printer.

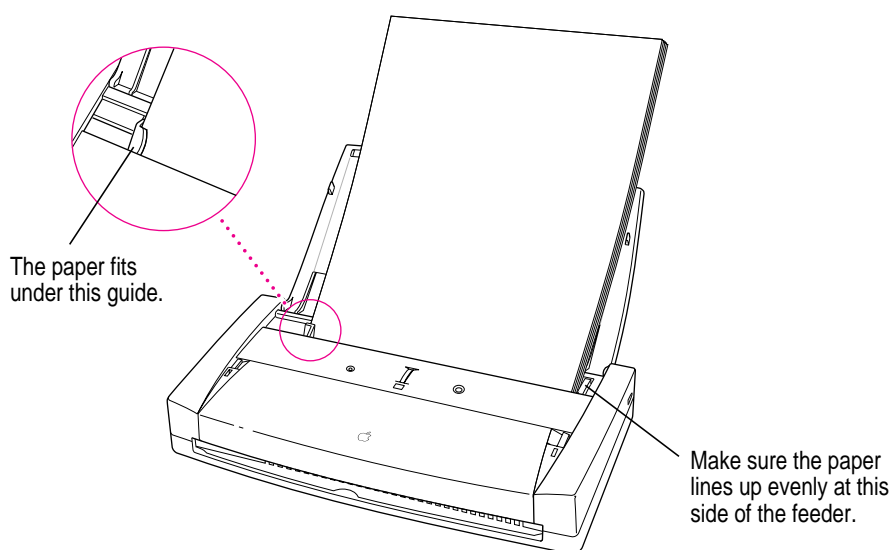
Some PowerBook computers that have an internal modem installed cannot tell that the printer is connected to the computer. You must change a setting in the PowerBook Setup or Express Modem control panel. For details, see “Special Information for PowerBook Owners” in the section “Telling Your Computer to Use the Color StyleWriter 2200” later in this chapter.



## Loading paper into the sheet feeder

The sheet feeder holds up to 30 sheets of 20-pound paper and feeds the paper automatically into the printer. You can load many sizes of paper and other media into the sheet feeder as described in Chapter 2, but to do a nozzle check, as described in the next section, you must use U.S. Letter or A4 Letter paper. To load paper into the sheet feeder, follow these steps:

- 1 Pull up the top cover.**
- 2 Place the paper in the sheet feeder and adjust the paper guide.**



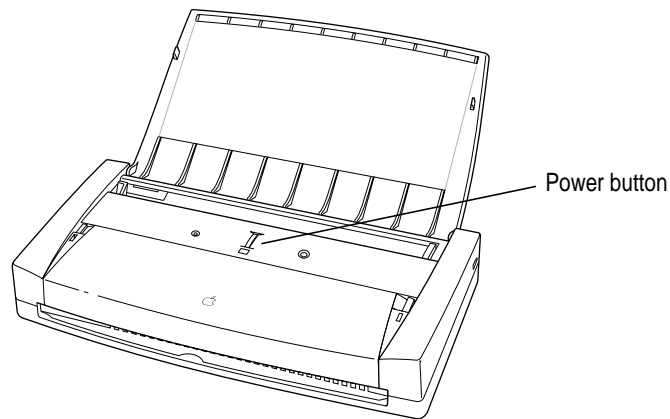
## Checking the print nozzles

The Color StyleWriter 2200 prints by spraying ink onto the paper through tiny nozzles. Sometimes these small nozzles get clogged after sitting unused for a long time. To make sure all the nozzles are working, follow these steps.

- 1** If necessary, turn off the printer.

The green power light should be off.

- 2** Press and hold down the power button until the amber error light turns off.



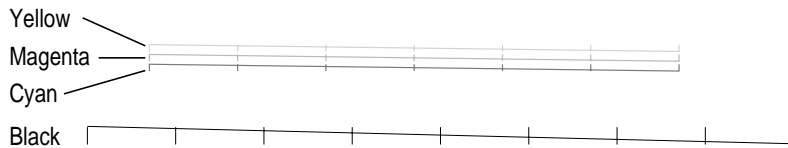
- 3** Release the button and wait for the test page to print.

- 4** Examine the nozzle test pattern for broken or missing horizontal lines.

The nozzle test pattern appears near the bottom of the test page. The test pattern for the color ink cartridge looks like this:

A broken line means a nozzle on the print head needs to be cleaned.

A missing color means you need to replace an ink tank.



The test pattern for the black ink cartridge looks like this:



- 5** If you see broken or missing lines, one or more nozzles may be clogged. To clear the nozzle, repeat this nozzle check, starting with step 1.

The nozzle check includes a procedure that cleans the nozzles. You may need to perform the nozzle check several times.

## Installing your printer software

The disks that come with the Color StyleWriter 2200 contain the printer software and an Installer program that copies the software onto your hard disk. You need the printer software to use the printer. Before you can print your documents, you need to install the printer software on your Macintosh.

The Installer program installs the new printing software you need, plus any fonts that come with the printer (see the section “Font List” in Appendix B). If you use Apple’s special QuickDraw GX software, it will also install QuickDraw GX software for the Color StyleWriter 2200.

### Step-by-step installation instructions

These instructions tell you how to restart your computer with the extensions turned off (which prevents incompatible software from interfering with the installation) and how to use the Installer program.

**Before you begin** Lock all the disks by turning each one over and sliding the small, square plastic tab in the corner so you can see through the hole. (The disks may already be locked.)

- 1** Quit any programs you are running.
- 2** While holding down the Shift key on the keyboard, choose Restart from the Special menu. Don’t release the Shift key until you see the “Extensions Off” message on your screen.
- 3** After you see the Macintosh desktop, insert the Color StyleWriter 2200 *Installation* disk into a floppy disk drive.

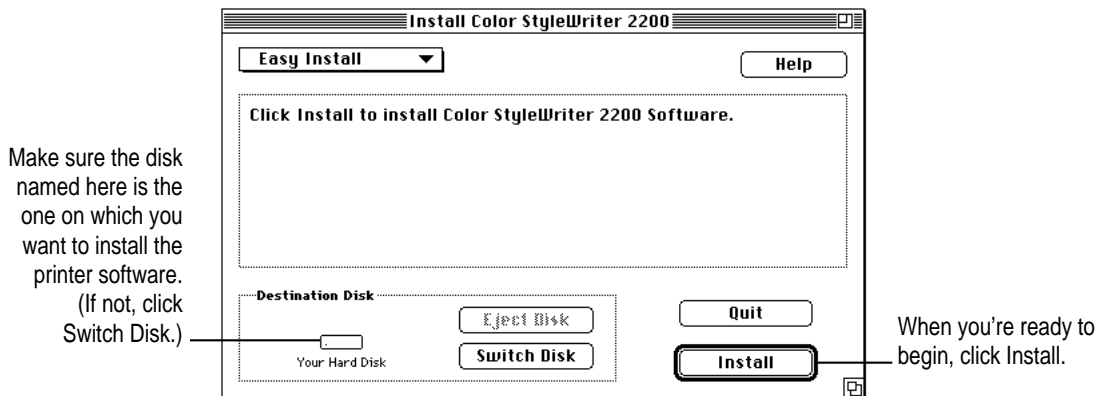
- 4 To start the Installer program, double-click its icon.

You may have to open the disk icon to see the Installer icon.

- 5 In the Welcome dialog box that appears, click Continue.

**IMPORTANT** The Installer determines whether you have the correct system software, and enough memory and hard disk space to use this printer. If you do not, the Installer displays a message telling you what you need. You won't be able to install the printer software until you correct the system software or memory problem. If the message reports a problem, you can purchase new system software or memory from an Apple-authorized dealer, or free up space on your hard disk by throwing away files you don't need.

- 6 In the Installer dialog box, click Install.



After a few moments, the Installer begins to install the printer software. A status box keeps you informed of progress during installation.

- 7 When you see a message on your screen, follow directions and insert the next disk.

The Installer ejects disks and asks you to insert others. Keep following the instructions on the screen until the installation is complete.

- 8** When you see a message reporting that installation was successful, click **Restart**.

The Installer restarts your Macintosh. After you restart, you may notice a new icon on your desktop, one that represents a printer. It's called a desktop printer, and it looks like this. For information about desktop printers, see "Desktop Printing" and "Monitoring and Controlling Background Printing" in Chapter 2.



Examples of desktop printer icons (a bold outline indicates the selected printer)

If this is your first printer, you won't see a desktop printer icon yet.

- 9** After the computer restarts, you must select the printer in the Chooser, as described in the next major section, "Telling Your Computer to Use the Color StyleWriter 2200."

You may notice a short delay as the computer restarts.

### Installation troubleshooting

If the Installer can't complete the installation, it will issue a warning message. Here are some ways to fix some common problems.

- You may not have the correct hardware or system software for this printer. If so, the Installer will tell you what you're missing.
- You may have forgotten to turn off your software extensions as described in the previous section.
- You may have some corrupted fonts on your hard disk. To solve or work around this problem, see "Installation is Unsuccessful" in Chapter 6.

### More information about the Installer program

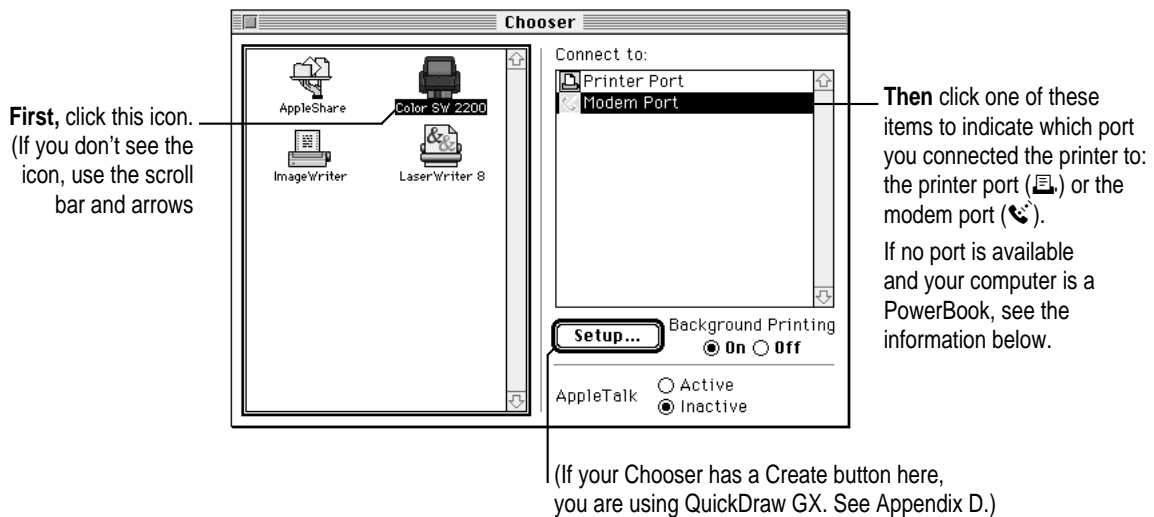
In the procedure just described, the Installer copies all the software you need to your hard disk. In rare circumstances, you may want to copy only a subset of the software. In that case, choose Custom Install from the pop-up menu in the Installer. A list of choices appears. Select the items you wish to install, then click the Install button. (Click the letter *i* to the right of any of the choices for information.)

## Telling your computer to use the Color StyleWriter 2200

Before using your printer the first time, you must select it in the Chooser.

- 1 **Select Chooser from the Apple () menu.**
- 2 **In the Chooser dialog box, click the appropriate items to select them.**

On most Macintosh computers, the Chooser looks like this:



- 3 **Close the Chooser by clicking its close box (in the top-left corner).**
- 4 **Notice the new desktop printer icon for the Color StyleWriter 2200.**

After you close the Chooser, a desktop printer icon for the Color StyleWriter 2200 appears on the desktop.



Color SW 2200

This icon cannot be moved off the desktop (unless you throw it away); however, you can move it anywhere on the desktop that you like.

## Special information for PowerBook owners

Some PowerBook computers have a single serial port identified by a combination printer/modem icon (🖨️/📠). If an internal modem is installed on one of these PowerBook computers, the serial port may be in use even though it looks available. When you plug in the Color StyleWriter 2200, the PowerBook may not be able to communicate with the printer.

To make the port available for printing, make sure the serial port setting is Normal or External. To check the setting, open the PowerBook, PowerBook Setup, or Express Modem control panel. (The control panel and the setting you use depend on which PowerBook you have and which internal modem you have.) If you have a PowerBook Express Modem, it is best to leave the serial port setting as Normal or External unless the modem programs you use require another setting for compatibility reasons.

Even when a PowerBook has two serial ports, if it also has an internal modem, the modem port (📠) may look available but actually be in use. If the printer port (🖨️) is available, connect the Color StyleWriter 2200 to it. If the printer port is unavailable and you must use the modem port, make sure the modem serial port setting is Normal or External. To check the setting, open the PowerBook, PowerBook Setup, or Express Modem control panel. (The control panel and the setting you use depend on which modem and system software version you have.) If you have an Express Modem, it is best to leave the serial port setting as Normal or External.

For more information, see the instructions that came with your PowerBook.

## Printing a document to make sure everything's working

The best way to see if your printer is set up correctly is to try printing something. The following steps describe how to print the Color SW 2200—Troubleshooting file that was installed on your hard disk, but you can print any document you want.

**Before you begin** Return to the Finder by quitting any programs you're running.

**1 Find the Color SW 2200—Troubleshooting file.**

Unless you moved it, you can find the file by double-clicking your hard disk icon.

**2 Open the file by double-clicking its icon.**

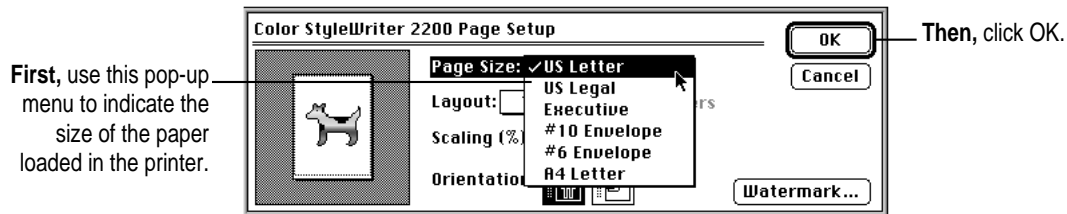


Color SW 2200-Troubleshooting

**3 Choose the Page Setup command from the File menu.**

A dialog box opens.

**4 Indicate what paper size you're using.**



You don't need to choose the Page Setup command every time you print—you only need to use it when you want to change the normal settings. Look at the dialog box on your screen to note what the normal settings are. For information about the options in this dialog box, see “Printing a Document” and “Creating Special Effects on the Color StyleWriter 2200” in Chapter 2.

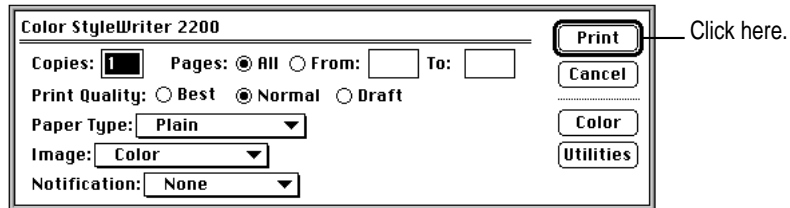
**5 Choose the Print command from the File menu.**

A dialog box opens.



**6 Click the Print button.**

For information about all the choices you can make in the Print dialog box, see “Printing a Document” and “Creating Special Effects on the Color StyleWriter 2200” in Chapter 2.



After a few moments, the printer begins printing the page or pages. If there’s a problem, see Chapter 6 for suggestions. (The most common problem is failing to follow the instructions in “Telling Your Computer to Use the Color StyleWriter 2200,” earlier in this chapter.)

**7 Choose Quit from the File menu to leave the Color SW 2200—Troubleshooting file.**

## What’s next?

You’re now ready to start using your printer.

- If you want to share the printer with others on your network, see “Sharing Your Printer With Other Users” and “Printing on a Shared Color StyleWriter 2200” in Chapter 2.
- If you have installed QuickDraw GX and turned it on, see Appendix D.

# 2

## Printing



This chapter explains how to use the Color StyleWriter 2200 for everyday tasks. Before you follow the instructions in this chapter, make sure the printer is set up and working, as described in Chapter 1.

*Note:* If you use QuickDraw GX, not all of the instructions in this chapter will apply to your software. See Appendix D for more information.

### Using the right ink cartridge for your documents

You can use either of two ink cartridges with the Color StyleWriter 2200: the color cartridge, which contains two replaceable ink tanks (one color ink tank and one black ink tank) or the black cartridge, which contains one replaceable black ink tank.

For color printing or just a few pages of black-and-white or grayscale printing, use the color cartridge.

For more than four pages of black-and-white or grayscale printing, consider using the black cartridge. You should also consider using the black cartridge when any of these factors are important:

- high-resolution printing
- high-speed printing
- cost-effective printing

## Planning documents with the Color StyleWriter 2200 in mind

Many printer options affect page layout. Before you spend a lot of time laying out a document, set it up as you plan to print it:

- 1 Select the printer you plan to use.**  
See “Switching Between Printers,” later in this chapter.
- 2 With the document active on your computer screen, choose Page Setup from the File menu and select the options you like.**

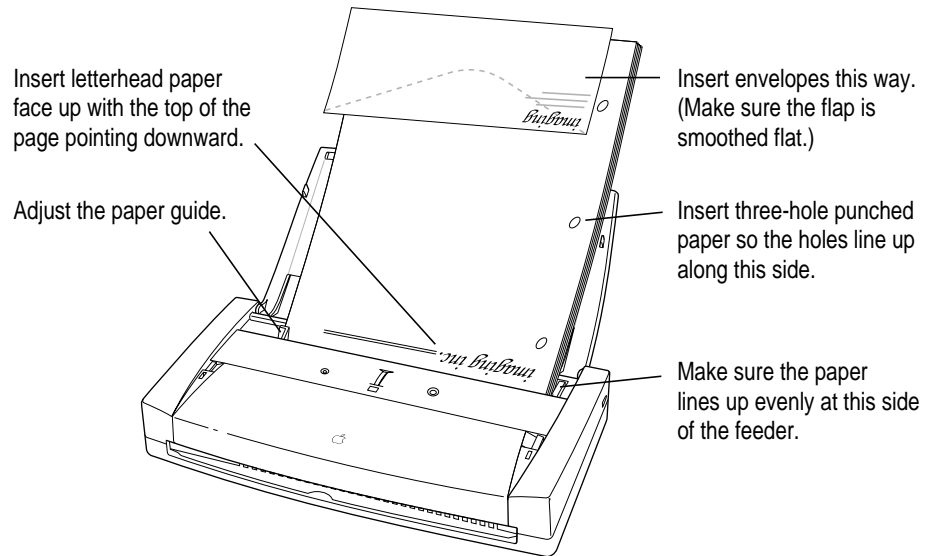
The key areas that affect page layout are paper size, orientation, and scaling percentage. When you’re finished setting your options, click the OK button to return to your document. You can now format it as you like. Since you’ve already set your printing options, the document will print as you see it on your screen.

## Positioning print materials in the sheet feeder

The sheet feeder holds paper, envelopes, or other materials and feeds them automatically into the printer. To position print materials in the sheet feeder, follow these steps:

- 1 **Open the printer by pulling up the top cover.**

**IMPORTANT** Don't mix envelopes with paper in the feeder.



- 2 **Place the paper in the sheet feeder and adjust the paper guide.**
- 3 **Before you print, make sure that you set the software options to indicate the size and kind of material you're using.**
  - In the Page Setup dialog box, indicate the size of the page.
  - In the Print dialog box, indicate the paper type.

Here are details about the kinds of material you can use in your Color StyleWriter 2200 printer.

Print material	Maximum	Special instructions
Plain paper	30 sheets	<ul style="list-style-type: none"> <li>■ Use 16- to 24-pound paper.</li> </ul>
Premium coated paper	8 sheets	<ul style="list-style-type: none"> <li>■ Use only paper designed for this printer.</li> <li>■ The whiter side should face you.</li> </ul>
Glossy paper	8 sheets	<ul style="list-style-type: none"> <li>■ Use only paper designed for this printer.</li> <li>■ To prevent misfeeds, put one sheet of plain paper at the back of the stack.</li> <li>■ The shinier side should face you.</li> </ul>
Envelopes	5	<ul style="list-style-type: none"> <li>■ Make sure the envelope is smoothed flat.</li> </ul>
Transparencies	8	<ul style="list-style-type: none"> <li>■ Use only transparencies designed for this printer.</li> <li>■ The shiny side should face you.</li> <li>■ The edge where the paper and transparency are joined should point downward.</li> </ul>
Back-print film	8 sheets	<ul style="list-style-type: none"> <li>■ Use only film designed for this printer.</li> <li>■ To prevent misfeeds, put one sheet of plain paper at the back of the stack.</li> <li>■ The chalky side should face you.</li> </ul>
Labels	8 sheets	<ul style="list-style-type: none"> <li>■ To prevent misfeeds, put one sheet of plain paper at the back of the stack.</li> <li>■ The labels should face you.</li> <li>■ In the print dialog box, specify Plain as the paper type.</li> </ul>

The Color StyleWriter 2200 uses only the following sizes of materials: U.S. Letter, U.S. Legal, A4 Letter, Executive, #6 envelopes, and #10 envelopes. Don't attempt to use other size materials, or printing errors may result.

For more about the kinds of material you can use with the Color StyleWriter 2200, see Chapter 4, "Tips on Paper, Quality, Speed, and Cost."

### Notes about envelopes

See the instructions that came with the programs you use to see if they offer special, easy ways to format and print envelopes. If not, choose the envelope size you're using in the Page Setup dialog box and format the envelope text as you like.

## Printing a document

The next three sections explain the different ways you can print a document:

- **Quick instructions for printing standard documents.** To print documents that don't require any special options, see this section. (The section describes what a "standard document" is.)
- **Detailed instructions for printing other documents.** To print documents that require any of the non-standard options, see this section.
- **Desktop printing.** To print documents without leaving the Finder desktop, see this section. Desktop printing allows you to quickly send multiple documents to multiple printers.

### Quick instructions for printing standard documents

Follow the instructions in this section to print a standard document:

- standard paper size (8.5" by 11" in the United States)
- plain paper
- portrait page orientation (so when you look at the printed page, it is longer than it is wide)
- no special effects and normal print quality

Assuming you already selected the printer in the Chooser as described in Chapter 1, and that the printer is filled with standard paper, you need only follow these steps:

- 1 While the document is in an active window, choose the Print command from the File menu.**

The Print dialog box opens on your screen.

- 2 Click the Print button.**

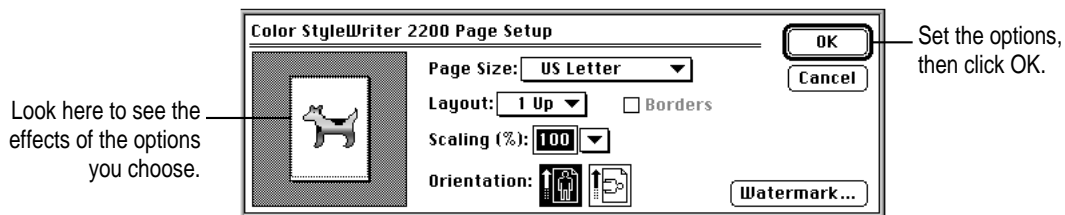
After a few moments, the document starts to print. If the printer is off, press the power button to turn the printer on. If background printing is turned on, you can continue working while the document is printing. You can also monitor and control the documents that are waiting to print. (See "Printing While You Use Your Computer" and "Monitoring and Controlling Background Printing" later in this chapter.)

## Detailed instructions for printing other documents

If your document is not standard (as defined in the previous section), follow these steps:

- 1 If you haven't already selected the Color StyleWriter 2200 in the Chooser, do so now.**  
You already selected the Color StyleWriter 2200 in Chapter 1 and, if it's the only printer you ever use, you won't need to do it again. If you do need to switch, see "Switching Between Printers," later in this chapter.
- 2 Load the paper, envelopes, or other materials into the printer, as described in "Positioning Print Materials in the Sheet Feeder," earlier in this chapter.**
- 3 While the document is active on your screen, choose Page Setup from the File menu and make adjustments in the dialog box that opens.**

If the default settings shown here are satisfactory, you can skip this step.

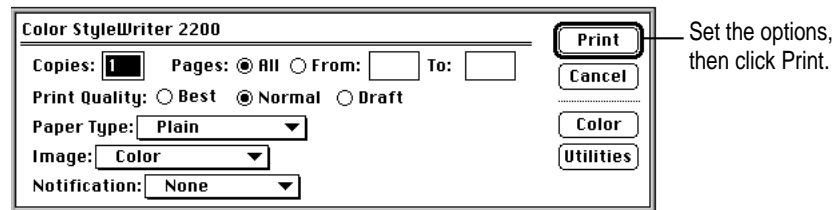


Item in dialog box	What you use it for
Page Size	Indicate size of paper in the sheet feeder.
Layout	Print 2 or 4 mini pages per sheet of paper.
Borders	Put a border around the mini pages.
Scaling	Enlarge or reduce the printed image. Type a number between 5 and 999 or choose a number from the pop-up menu.
Orientation	Indicate whether the printed page should be longer than wide or vice-versa.
Watermark	Specify a background image to be printed on every page.

For more information about the layout, borders, scaling, and watermark features, see “Creating Special Effects on the Color StyleWriter 2200,” later in this chapter.

**IMPORTANT** Make sure you correctly indicate the size of the paper, envelopes, or other material you installed in the sheet feeder. Additionally, if you change the page size in this dialog box, you might want to look over your document to see if any of the page breaks have changed.

**4** Choose Print from File menu and make adjustments in the dialog box that opens.





Item in dialog box	What you use it for
Copies	Type how many copies of the document you want.
Pages	Indicate how many pages of the document to print. To print the whole document, click All. To print a range of pages, type the beginning and end page numbers. As a shortcut, you can indicate the first page by leaving the "From" box blank or the last page by leaving the "To" box blank.
Print Quality	Select which level of quality you want. Generally, the higher the quality, the longer the document will take to print. If you use any paper type other than Plain, only the Best option is available. Choose Draft for lower ink consumption.
Paper Type	Indicate what type of material is loaded in the sheet feeder by selecting a choice from the pop-up menu. For labels and envelopes, choose Plain.
Image	Select between color, grayscale, or black-and-white printing in the pop-up menu. If the document contains no colors or grays, it doesn't matter what you put here.
Notification	Choose how (if at all) to be notified when the document is finished printing. For a visual alert, choose Message from the pop-up menu. For an audio alert, choose a sound.
Color	Open another dialog box, in which you can adjust color options and select a halftoning method for color or grayscale printing.
Utilities	Open another dialog box, in which you can request that the printer clean the ink cartridge.

**IMPORTANT** Make sure the Paper Type pop-up menu accurately indicates what you installed in the sheet feeder.

#### 5 Click the Print button.

After a few moments, the document starts to print. If the printer is off, press the power button to turn the printer on. If background printing is turned on, you can continue working while the document is printing. You can also monitor and control the documents that are waiting to print. (See "Printing While You Use Your Computer" and "Monitoring and Controlling Background Printing" later in this chapter.)

## Desktop printing

If your application program is capable of doing so, you can also print documents without leaving the Finder, using one of the two methods described here. These methods are particularly efficient when you have a number of documents you want to print at once or when you are printing a document that you have already formatted.

- Drag the icons of the documents you want to print to the desktop icon of the printer you want to use.



*or*

- Select the icons of the documents you want to print and choose the Print command from the File menu. The documents will be printed on the default printer. (See “Switching Between Printers” later in this chapter.)

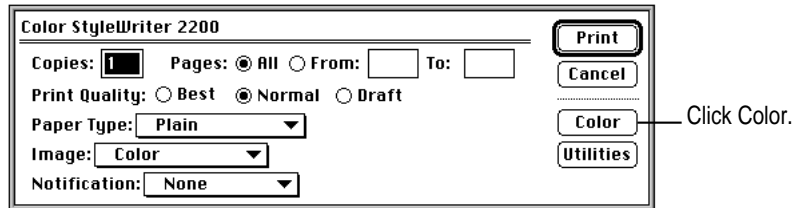
In either case, the computer will show you the Print dialog box so you can choose printing options. Make your choices, then click the Print button.

After a few moments, the document starts to print. If the printer is off, press the power button to turn the printer on. If background printing is turned on, you can continue working while the document is printing. You can also monitor and control the documents that are waiting to print. (See “Printing While You Use Your Computer” and “Monitoring and Controlling Background Printing” later in this chapter.)

## Adjusting color options

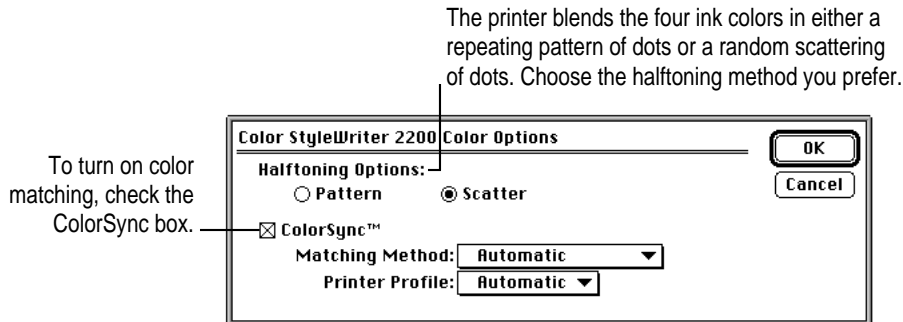
To adjust the way colors are printed and improve the look of your documents, follow these steps:

- 1 Choose Print from the File menu.
- 2 In the dialog box that appears, click Color.



Some programs provide a second box you must click before the Color Options dialog box opens. See the Read Me file on your hard disk for information about printing in color with specific programs.

- 3 Select your color options.



The ColorSync color-matching system ensures that colors look consistent between different devices, such as monitors, printers, scanners, or digital cameras. In addition, ColorSync helps give you the best possible color consistency when you export an image to another Macintosh with ColorSync installed or print it on another color printer.

*Note:* Open the ColorSync control panel and make sure the system profile is correct for your monitor. If it's not, choose Set System Profile from the pop-up menu and select the correct profile.

With ColorSync turned on and the Automatic matching method selected, the Macintosh chooses the best matching method for the contents of the document you are printing. If you need to override the automatically selected color-matching method, you can choose the option you want from the Matching Method pop-up menu. Most of the time, however, the Automatic setting is best.



If you have obtained additional printer profiles from other software companies, you can use the Printer Profile pop-up menu to choose the one you want. (The additional profiles should come with instructions telling you how to choose the appropriate one.)



- 4** Once you've made your choices, click OK to return to the Print dialog box.
- 5** Click Print.
- 6** To save the ColorSync settings with this document, choose Save from the File menu.

For more information on ColorSync, see Appendix C.

## More information about color printing

Here is some additional information about color printing.

- Different programs may define colors in different ways. When you choose a shade of red in one program, you may not be able to find an exact match in another program. You can adjust the color in the second program until you're satisfied with the printed results. To see how different programs define color, consult the manuals that came with your programs.
- Color printing takes longer than black-and-white printing. The printer must sort through more data and use more ink to complete the job, which takes additional time.

## Creating special effects on the Color StyleWriter 2200

You can create a number of special effects on the Color StyleWriter 2200 by selecting options in the Page Setup, Print, and Print Options dialog boxes.

### Enlarging or reducing the printed image

You can enlarge or reduce the image on the Color StyleWriter 2200, much as you can on many photocopying machines. Reducing the printed image by a small amount is a popular way to fit a little extra onto each page.

- 1 **Choose Page Setup from the File menu.**
- 2 **Enter a scaling percentage.**

You can type a number from 5 to 999 or use the pop-up menu.

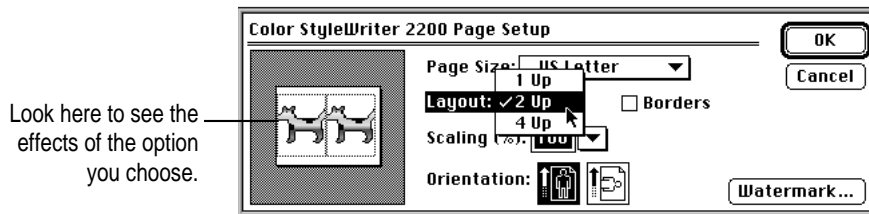
*Note:* Changing the scaling may also change the pagination of your document.

### Printing 2 or 4 mini pages on each sheet of paper

One of the most popular reasons to print mini pages is to save paper when printing long drafts or to make a compact printout of a reference document, such as an address book.

- 1 **With your document on the screen, choose the Page Setup command from the File menu.**

- 2 Choose how many pages you want to appear on each sheet of paper from the Layout pop-up menu.

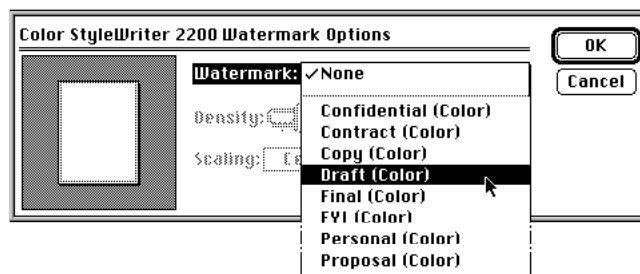


- 3 If you'd like a border around each mini page, click to put an X in the Borders box.

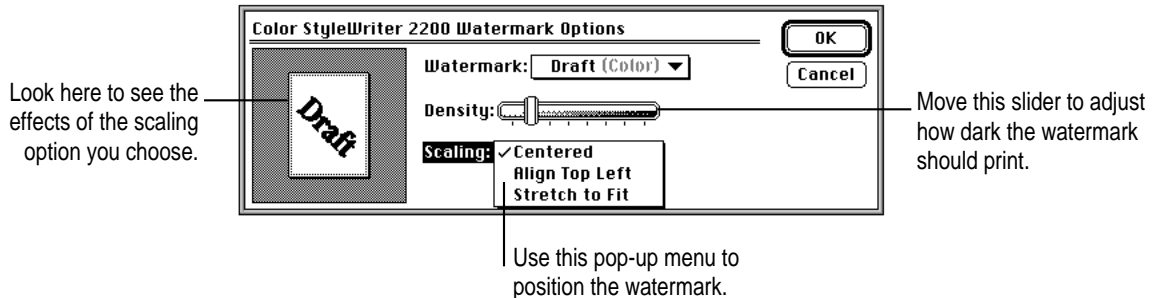
### Printing a watermark on each page of your document

Traditionally, a watermark is a translucent image impressed on a piece of paper that you can see only by holding the paper up to the light. The Color StyleWriter 2200 can't do that, but it can put an image on each page of your document, creating the illusion of a watermark. The Color StyleWriter 2200 comes with a number of watermarks already installed, and you can create more, as described in the next section.

- 1 With your document on the screen, choose Page Setup from the File menu.
- 2 Click the Watermark button to open another dialog box.
- 3 Choose the watermark you want from the pop-up menu.



#### 4 Adjust the Density and Scaling.



When the density slider is all the way to the right, the watermark will print as dark as it is in the original watermark file.

Note the effect of the scaling options:

- **Centered** scales the image the same amount in both the horizontal and vertical directions, then centers it on the page.
- **Align Top Left** places the image at the upper-left corner of the page without scaling the image at all.
- **Stretch to Fit** scales the image so it fills the page, even if it has to scale the horizontal and vertical directions by different amounts. This may cause the image to be somewhat distorted.

#### 5 Click OK to return to the Page Setup dialog box.

The settings you choose are remembered by this document, but do not affect other documents.

### Creating your own watermarks

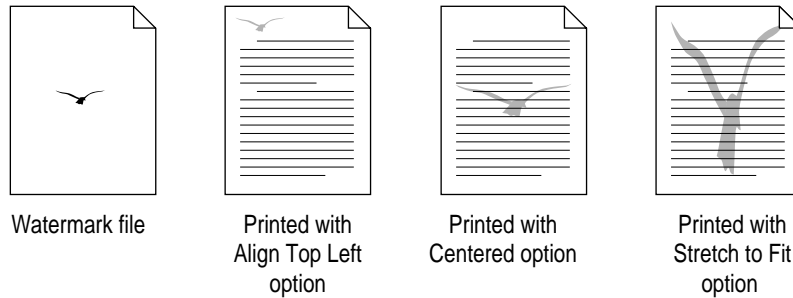
You can use any program that can save PICT or PICT2 format files to create your own watermarks. For example, you can create a watermark with your company's logo on it.

#### 1 Create the file with a drawing program or any program that can save PICT or PICT2 files.

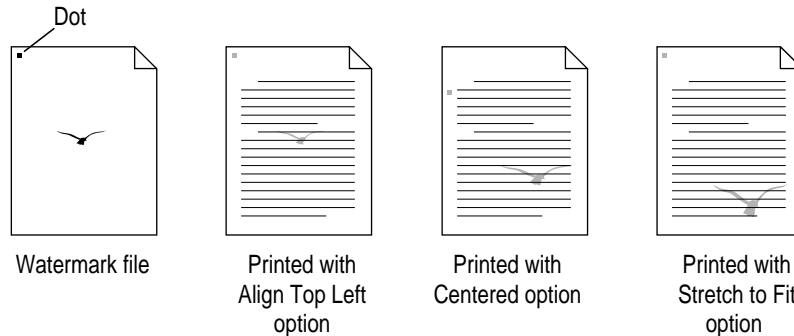
Here are some tips for making effective watermarks:

- Make the watermark black or a saturated color. When you print a document with this watermark, you can use the Density control to make it lighter.

- As you draw the image, keep in mind how the watermark scaling options affect the placement of the image when it is printed.



- The printing software determines the placement of the watermark based on where it calculates the upper-left and lower-right corners of the image are. If you want to have more control over the placement, you can use your drawing program to place a dot above and to the left of the image in the watermark file to define a new upper-left corner. If you don't want the dot to be visible in your printed document, make the dot white.



**2 Save the PICT file inside the Printing Prefs folder.**

To find the Printing Prefs folder, open the System Folder on your hard disk, then open the Preferences folder. The name you save it as will be the same name that appears in the Watermark dialog box.



## Selecting a halftoning method

Halftoning is a process in which colors or shades of gray are printed by using an arrangement of dots. The Color StyleWriter 2200 creates gradated tones by using either a repeating pattern or a random scattering of dots. The random method generally produces a smoother appearance. The default choice is random scattering.

To change the halftoning method, follow these steps:

- 1** When you are ready to print, choose **Print** from the **File** menu.  
The Print dialog box opens.
- 2** Click the **Color** button to open another dialog box.
- 3** Click **Pattern** or **Scatter**.
- 4** To return to the Print dialog box, click **OK**.

## Switching between printers

If you have more than one printer available, you must select which printer you want to use. The printer you select is called the default printer.



A bold outline indicates that this is the default printer, the printer you will use until you indicate otherwise.



A plain outline indicates that this is not the default printer.

To change the default printer, use one of these three methods, as described in the next sections.

- Drag the document you want to print to a desktop printer icon.
- Select the printer using its desktop printer icon.
- Select the printer using the Chooser.

*Note:* Switching between printers may change how much information you can fit on a page. It's best to choose a printer before you spend much time paginating the document.

### **Drag the document you want to print to a desktop printer icon**

You can switch to a new default printer by dragging the icon of any document you want to print to the icon of the printer you want to use. (See “Desktop Printing” earlier in this chapter.)

### **Select the printer using its desktop printer icon**

If you already have a desktop printer icon for the printer you want to use, follow these steps to select a new default printer without immediately printing anything on it:

- 1 Click the icon of the desktop printer you want to use.**

A Printing menu appears on the menu bar at the top of the screen.

- 2 Choose the Set Default Printer command from the Printing menu.**

Until you choose another printer, the Print command will send your documents to this printer.

### **Select the printer using the Chooser**

If you don't have a desktop printer icon for the printer you want to use, you must select the printer using the Chooser. The Chooser will then create a desktop printer icon for the printer that you select, and make it the default printer.

- 1 Select the Chooser from the Apple menu.**
- 2 Select the printer that you want.**
- 3 Close the Chooser by clicking the close box in the upper-left corner.**

When you close the Chooser, it creates a desktop printer icon for the printer you selected.

## Creating, throwing away, and manipulating desktop printer icons

To create a desktop printer, select the printer using the Chooser. After you close the Chooser, the icon will appear on your desktop. See “Select the Printer Using the Chooser,” in the section “Switching Between Printers,” earlier in this chapter.

You may also do the following with desktop printer icons:

- **Throw away the icon.** Drag the icon to the Trash. (You can create another desktop printer icon for that printer whenever you like.) You can't throw away a desktop printer icon while the printer is printing a document. *Note:* You must always have at least one printer icon on your desktop. If you throw away the last icon, it will immediately be created again.
- **Rename the icon.** Rename the icon as you would any other Finder icon. Click the name to highlight it, then type the new name. This changes the name of the icon, not the name of the printer.
- **Move the icon.** You may drag the icon anywhere you like on the desktop. However, you may not move it off the desktop.
- **Create an alias for the icon.** You may create an alias for the icon as you would any Finder icon, by selecting the icon and choosing the Make Alias command from the File menu. The alias may be moved anywhere on or off the desktop.

## Determining the status of a printer by looking at its icon

You can tell the status of a printer by looking at its desktop icon:



**Plain** icon indicates a printer that is not currently chosen for printing.



**Stopped** icon indicates you have stopped the print queue.



**Default** icon indicates the printer you have currently chosen to print on.



**Error** icon indicates there is an error on this printer. Double-click the icon to see a message.



**Printing** icon indicates a document is printing on this printer.



**Disabled** icon indicates this desktop printer is not available. See Chapter 6.

## Printing while you use your computer

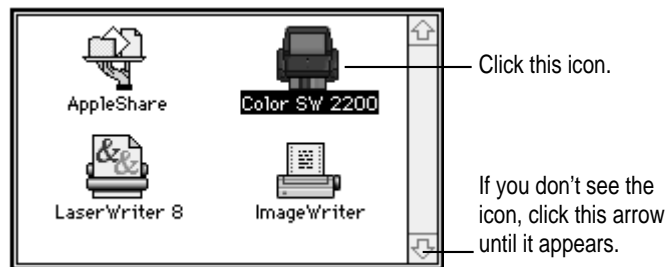
You can continue to work on your computer while printing on the Color StyleWriter 2200. The feature that gives you this ability is called *background printing*, and is automatically turned on when you install the Color StyleWriter 2200 software.

To turn background printing on or off, follow these steps:

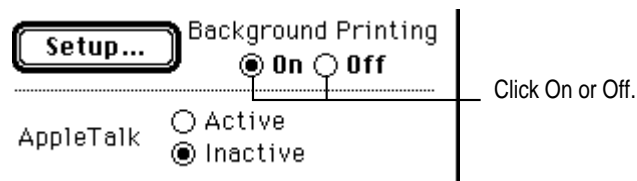
- 1 **Select Chooser from the Apple () menu.**

The Chooser opens.

- 2 **Click the Color SW 2200 icon in the Chooser.**



- 3 **Click to turn background printing on or off.**



- 4 **Click the close box in the upper-left corner of the Chooser.**

Once background printing is turned on, it is in effect whenever you print, until you turn it off. When you click Print in the Print dialog box, a message appears for a moment to tell you the document is being prepared. Once the message disappears, you can continue other work. Your computer may pause occasionally while it processes the document for printing. See “Monitoring and Controlling Background Printing,” next, for more information.

## Monitoring and controlling background printing

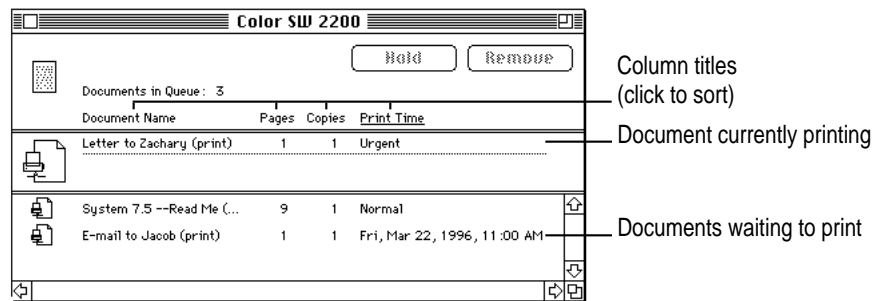
If you are using background printing, you can use the desktop printer features to monitor and control the documents that are waiting to print. To learn how to turn background printing on and off, see “Printing While You Use Your Computer,” earlier in this chapter.

To monitor or control a print request, follow these steps:

- 1 Double-click the desktop printer icon you’re interested in.



A window opens listing the documents that are printing or waiting to print:



*About print requests to shared printers:* If you print a document on a shared StyleWriter that is *not* directly connected to your computer, your print request will be visible in this window for only a few moments. Then the print request moves to the desktop printer on the computer that *is* directly connected to the printer.

- 2 Choose what you’d like to do.
  - To delete a print request, select its title or icon (by clicking it), then click the Remove button. (You can select more than one item at a time by holding down the Shift key while clicking.) You can also drag the icon for the print request to the Trash. Note that these methods delete only the print request, not the document itself.

- **To put a print request on hold**, select its title or icon (by clicking it), then click the Hold button. The print request will stay on hold until you select its title again and click the Resume button. You can also put the document that's currently printing on hold by dragging it to the list of documents waiting to print.
- **To indicate that a print request is urgent**, select its title or icon (by clicking it), then choose Set Print Time from the Printing menu. In the dialog box that opens, click Urgent. This moves the print request to the top of your list.
- **To indicate that a print request should not print until a future time**, select its title or icon (by clicking it), then choose Set Print Time from the Printing menu. In the dialog box that opens, click At Time, then set the time you want.
- **To change the order of the items waiting to print**, move their place in the list by dragging their titles.
- **To sort the list of documents waiting to print**, click the title of the column you want to sort by. For example, to sort by the name of the document, click Document Name. (You can also sort by choosing the commands in the View menu.) The column title you sorted by is underlined. Sorting the items does not change the order in which they will print. To see that order, sort by Print Time.
- **To temporarily stop all documents from printing on this printer**, choose Stop Print Queue from the Printing menu. To resume using the printer, choose Start Print Queue from the Printing menu. If you're using a PowerBook, this can be a good way to save print requests while you're on the road until you get back to your printer. *Shortcut:* The commands to start and stop the print queue are available without opening the window for the printer, so long as the printer's icon is selected on the desktop.
- **To move a print request from one printer to another printer** of the same type, drag the icon for the print request to the icon of the printer where you want to move it. If you're not sure whether the two printers of the same type, try moving the print request anyway—the printer software won't let you move a print request to an incompatible printer.

## Sharing your printer with other users

If your computer is connected to other computers over an AppleTalk network, you can allow other users on the network to print on your Color StyleWriter 2200. The technology that lets you do this is called ColorShare.

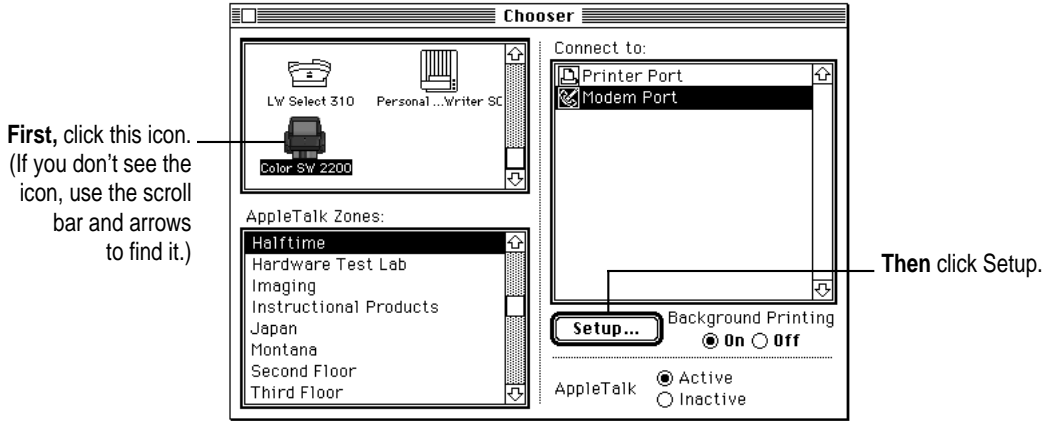
Note the following points about ColorShare:

- Even though you are sharing the printer over a network, the printer must still be connected directly to a single computer using the provided cable, as described in “Connecting the Printer to Your Macintosh” in Chapter 1.
- For others to be able to use the shared Color StyleWriter 2200 printer, your Macintosh must be turned on.
- When other users print on a printer connected to your Macintosh, you may notice that your computer pauses occasionally while you work. Because the printer is attached to your Macintosh, you can see what’s being printed (and by whom) by opening the desktop printer icons, as described in “Monitoring and Controlling Background Printing,” earlier in this chapter.
- These instructions work only if you do not have QuickDraw GX software installed on your computer, and only others who do not have QuickDraw GX can share the printer. (If you have QuickDraw GX software installed, you can share the printer only with other users who also have it installed.)

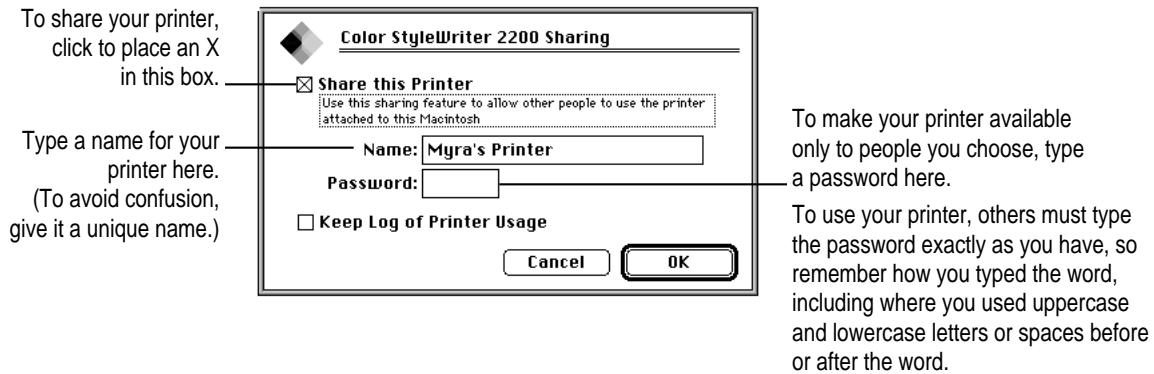
To share the printer with other users, follow these steps:

- 1 **Select Chooser from the Apple () menu.**

**2 In the Chooser dialog box, do the following:**



**3 In the Sharing Setup dialog box, make the changes you want.**



The name you give the printer is the name others will use to select the printer in the Chooser.

**4 To keep a record of what's printed on your printer, click the "Keep Log of Printer Usage" checkbox to put an X in it.**

You can open and print the log with SimpleText, TeachText, or another word-processing program. To find the log file, open your System Folder; then open the Preferences folder, and open the Printing Prefs folder. The file is called Color SW 2200 Log.

*Note:* You can keep a log even if your printer is not shared.



- 5 Click OK to close the Sharing Setup dialog box.

Sharing works only if background printing is turned on. If it is not turned on, ColorShare turns it on.

- 6 Close the Chooser (click the close box in the upper-left corner).

If the Color StyleWriter 2200 software has been installed on their Macintosh computers, other users connected to the network can now use your Color StyleWriter 2200, as described in the next section.

## Printing on a shared Color StyleWriter 2200

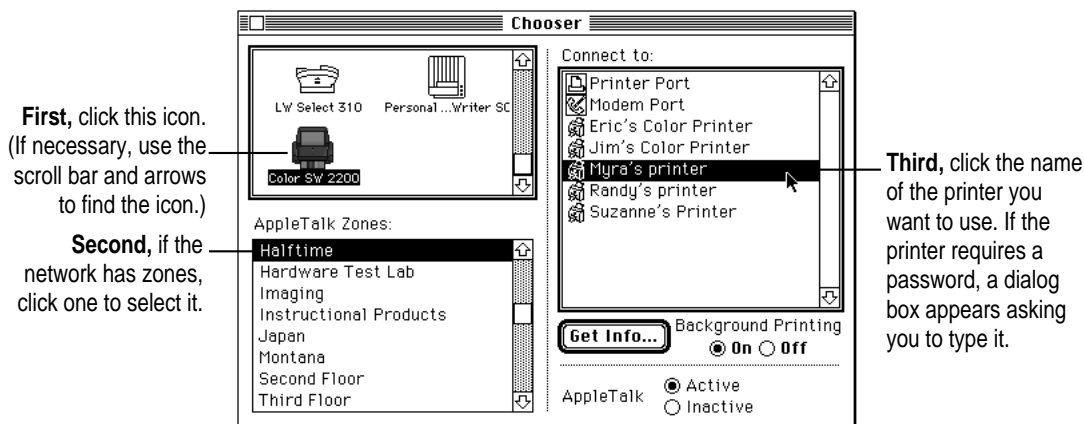
After you turn on ColorShare (as described in the previous section), others on your network can share your printer.

**IMPORTANT** People on the network who want to print on your shared printer must install the Color StyleWriter 2200 software on their computers, as described in Chapter 1. Older StyleWriter software doesn't work with the Color StyleWriter 2200. After the new software is installed, they must follow these steps:

- 1 Select Chooser from the Apple () menu.

The Chooser opens.

- 2 Make selections in the Chooser.



**3 Close the Chooser (click the close box in the upper-left corner).**

After you close the Chooser, a desktop printer icon for the Color StyleWriter 2200 appears.

Anyone who completes these steps can print on the shared Color StyleWriter 2200.

When you print a document to a shared StyleWriter, your computer transfers the request to the computer directly connected to the printer. As soon as the transfer is complete, you can no longer monitor the print request using the desktop printer icon on your computer. You can continue monitoring the print request on the computer that is directly connected to the printer.

# 3

## Using the Battery Attachment



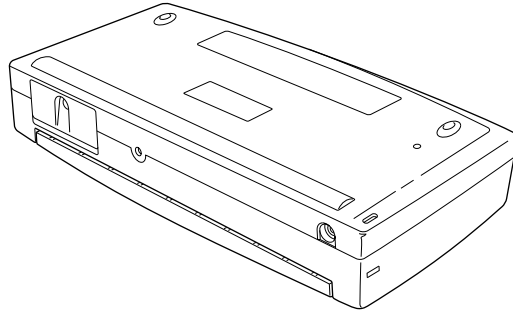
This chapter introduces the Color StyleWriter 2200 optional battery attachment and tells you how to attach it to your printer and how to print using the battery. When powered by a fully charged battery, the printer prints about 200 pages. When the battery runs low, you can charge it or replace it with another battery.

### Connecting the battery attachment

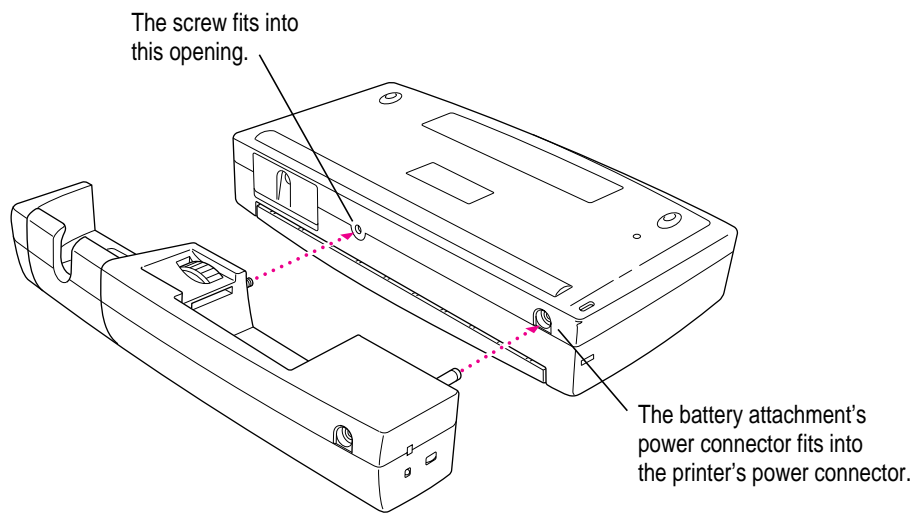
To connect the battery attachment to your Color StyleWriter 2200, follow these steps:

- 1 Turn off the printer.**
- 2 Close the printer cover if it's open, and disconnect the Apple System/Peripheral-8 cable and the power adapter.**

- 3** Turn the printer upside-down.

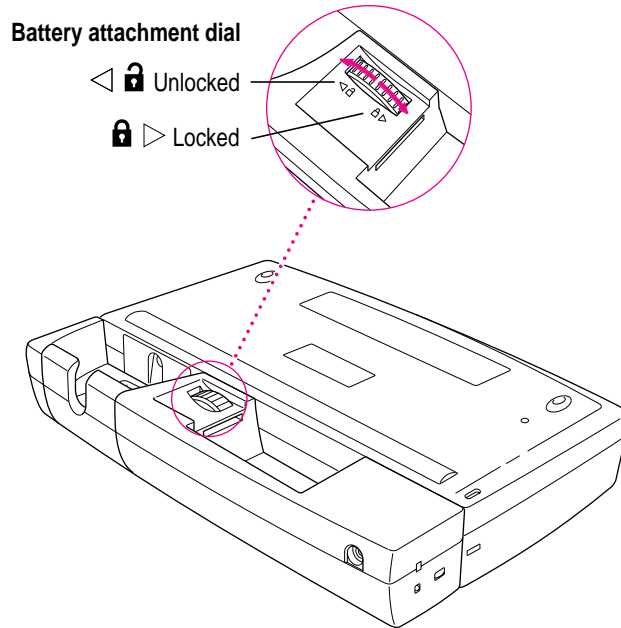


- 4** Hold the battery attachment upside-down, and align the power connector and the screw with the printer.



- 5** Fasten the battery attachment to the printer by turning the attachment dial in the locked (🔒) direction.

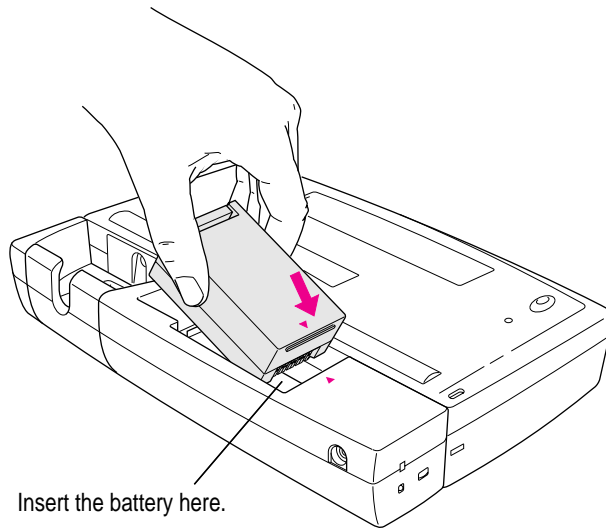
Turn the dial until it stops. Make sure the battery attachment fits snugly against the printer, but don't overtighten the dial.



*Note:* To unfasten the battery attachment, turn the attachment dial in the unlocked (🔓) direction and carefully pull the attachment away from the printer.

**6 Insert the battery into the battery attachment.**

Align the battery contacts with the contacts in the battery attachment as shown, and press until the battery clicks into place. Do not touch the battery contacts on the battery or in the battery attachment.



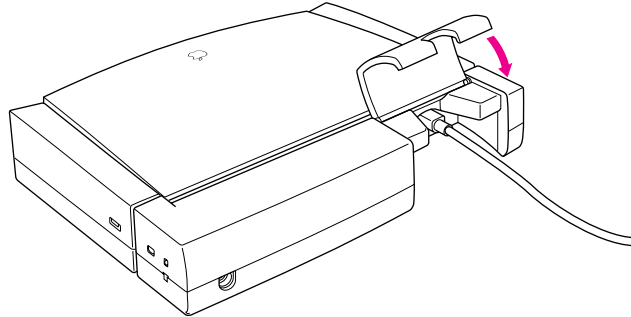
*Note:* To remove the battery, see “Replacing the Battery” later in this chapter.

**WARNING** Do not touch the battery contacts with metal objects such as paper clips or keychains. Doing so can cause burns or start a fire. When not using the battery attachment, you should remove the battery and store it. If the battery remains in the attachment, a small amount of battery power is consumed, which over time will reduce the battery’s charge.

**7 Return the printer to its upright position.**

**WARNING** Damaged nickel-metal hydride batteries may leak small amounts of potassium hydroxide. This substance can cause severe burns to the skin and eyes. If you touch a damaged battery, immediately rinse your hands and any other affected areas with water for at least 5 minutes. *Do not use soap.*

- 8 Attach the Apple System/Peripheral-8 cable.**



- 9 Open the printer cover and turn on the printer.**

You have finished installing the battery. You must charge the battery before you can use it. Note that when the power adapter is connected, the printer uses the power supplied by the power adapter, not the battery.

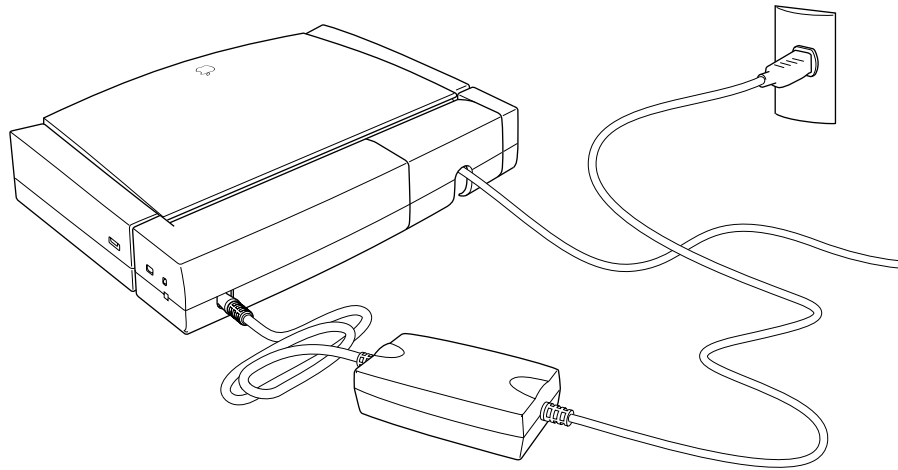
## Charging the battery

Depending on printing conditions, the battery in the Color StyleWriter 2200 needs charging after about 200 pages of printing. When the battery is low, the printer stops printing.

To charge the battery, follow these steps:

- 1 Make sure the battery is installed in the battery attachment.**
- 2 Connect the power adapter to the battery attachment, and plug the adapter into an outlet or a power strip.**

Be sure to use either the power adapter that comes with your printer or the optional universal power adapter.



The green charge light on the side of the battery attachment blinks while the battery charges. The battery will continue to charge for up to 10 hours. When the battery is completely charged, the green light will stop blinking.

*Note:* The green light indicates the charging conditions of the battery. When you disconnect the power adapter after the battery has finished charging, the green light goes out and the charged battery is ready to power the printer.

You can use the printer with the power adapter while the battery is charging, and you can charge the battery without connecting the battery attachment to the printer.



## Giving the battery a complete charge

The battery charge capacity may degrade over time, which means that the printer may print fewer sheets with each charge. In this case, discharge the battery completely, and then give it a complete charge.

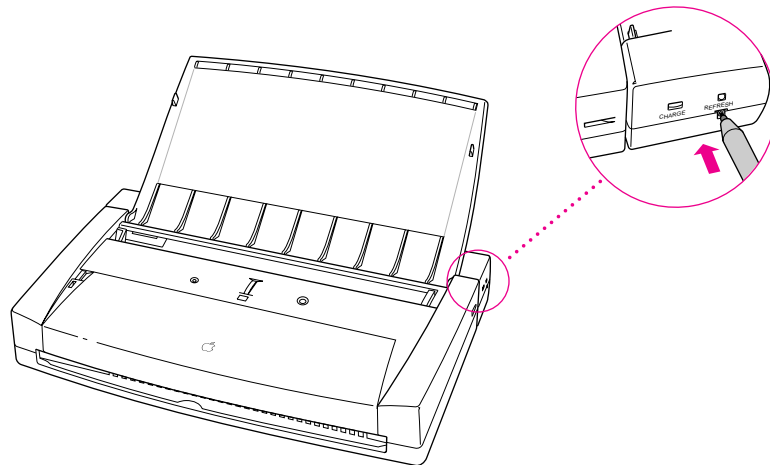
Make sure you charge the battery fully every time. If you charge the battery only partially, you may reduce the battery's capacity to be fully charged.

To give the battery a complete charge, you must first discharge it completely. Discharging takes up to 10 hours.

To discharge the battery, follow these steps:

- 1** Make sure the battery is installed in the battery attachment and the power adapter is connected.
- 2** Use a thin pointed object such as a ballpoint pen to push the Refresh button.

After you release the button, the battery will begin discharging.



When discharging is complete, the battery begins to charge automatically. The green charge light blinks during charging. When the battery is completely charged, the green light will stop blinking. You can use the printer with the power adapter while the battery is charging or discharging.

Note that you can discharge the battery without connecting the battery attachment to the printer.

## Replacing the battery

If you notice that the battery attachment is no longer holding a charge as it should, even after you've discharged the battery and given it a complete charge, you may need to replace the battery. You may also want to replace the battery so that you can continue to work under battery power if you're not immediately able to charge the old battery. To replace the battery, follow these steps:

- 1 Turn the printer off and close the printer cover.**

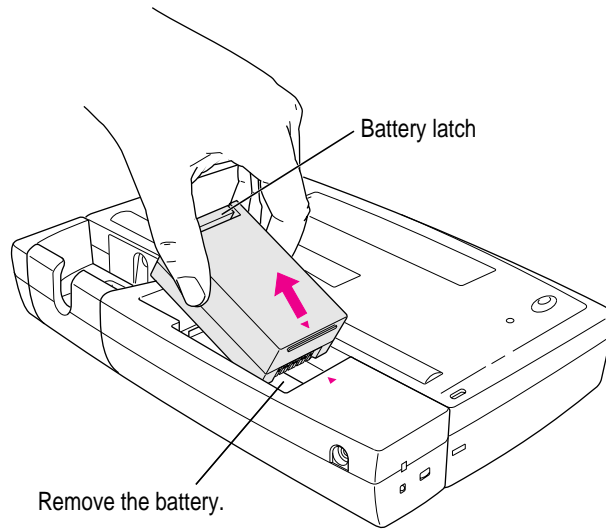
If the power adapter is connected, disconnect it from the printer.

- 2 Turn the printer and the battery attachment upside-down.**

You can leave the Apple System/Peripheral-8 cable connected to the printer.

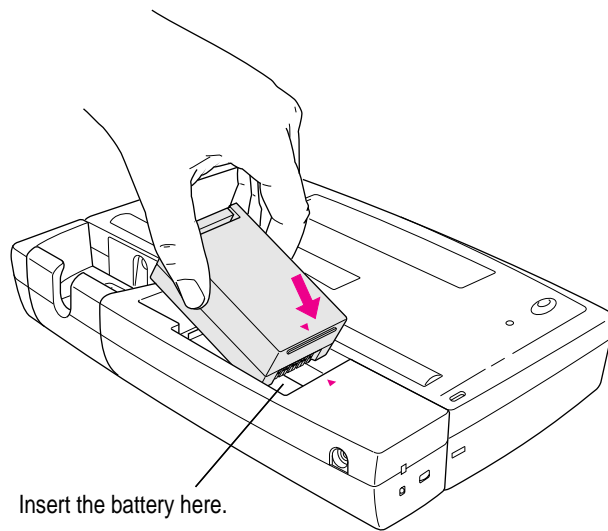
**WARNING** Do not touch the battery contacts with metal objects such as paper clips or keychains. Doing so can cause burns or start a fire. When not using the battery attachment, you should remove the battery and store it. If the battery remains in the attachment, a small amount of battery power is consumed, which over time will reduce the battery's charge.

**3 Release the battery latch and remove the battery.**



**4 Replace the battery with the new one.**

Insert the new battery as shown. Do not touch the battery contacts on the battery or in the battery attachment.



**WARNING** Damaged nickel-metal hydride batteries may leak small amounts of potassium hydroxide. This substance can cause severe burns to the skin and eyes. If you touch a damaged battery, immediately rinse your hands and any other affected areas with water for at least 5 minutes. *Do not use soap.*

**5** Return the printer and battery attachment to its upright position.

You have finished replacing the battery.

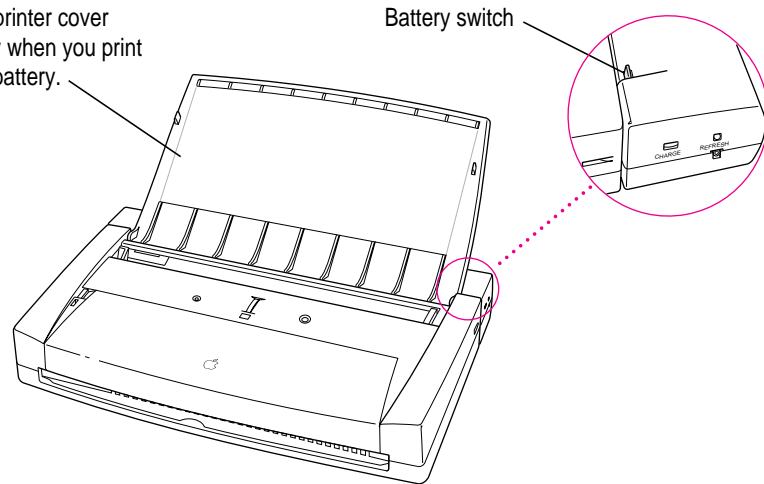
**IMPORTANT** Nickel-metal hydride batteries contain hazardous materials. It is inappropriate, and in some cases unlawful, to throw batteries away with your household or business trash. When a battery is no longer capable of being charged, take it to your authorized Apple service provider, who will make sure they are handled correctly through Apple's battery recycling and disposal network.



## Printing using the battery

**IMPORTANT** When you print using the battery, you must open the printer cover completely so the battery switch turns on. You must also press the power button to turn the printer off before you close the cover, so the ink cartridge can return to its parked position.

Open the printer cover completely when you print using the battery.



Be sure to disconnect the power adapter when you print using the battery. If the power adapter is connected, the printer uses power from the adapter. If you use the power adapter, do not disconnect the adapter from the outlet while you are printing. Doing so could damage the printer.

Turn off the printer and close the printer cover when you are not printing.

**IMPORTANT** The printer stops printing when the battery power runs low. When the power runs low, the printer ejects the page being printed and parks the ink cartridge.

## Battery tips

When the battery power is too low to continue printing, you can charge the battery. You can also continue printing if you plug in the power adapter or install a charged battery.

Don't remove the battery in the middle of printing.

When you charge the battery, charge it completely (not partially).

Don't charge the battery too often without fully discharging it first, since too much partial charging reduces the battery's ability to hold a complete charge.

You can avoid charging too often by keeping track of how many pages you print using the battery. One battery charge yields approximately 200 black-and-white pages with 5 percent ink coverage per page or approximately 35 color pages with 7.5 percent ink coverage per page. A typical page of text with no graphics has about 5 percent coverage.

You should discharge the battery completely before you charge the battery. Completely discharging and then charging the battery can take time, so plan ahead for this process.

# 4

## Tips on Paper, Quality, Speed, and Cost



This chapter explains how to use different materials and printing options to meet your needs.

### Choosing print materials

Here are some tips on when and how to use different print materials.

#### Plain paper

Use plain paper for everyday printing.

- Print quality may vary depending on the manufacturer of the paper. If you're not happy with one kind of paper, try a different brand. For consistent results, use one of the special papers designed for the Color StyleWriter 2200 printer.
- You can use any plain paper, including plain copier paper. Paper weight can range from 16 to 24 pounds, though 20-pound paper is recommended.
- Don't use erasable typing paper, damaged or wrinkled paper, stapled paper, or multipart forms ("carbonless carbons").
- Plain paper almost always has one side that is better for printing than the other. See the package label to determine which side is better, and load that side so that it faces you.

## Premium coated paper

Use premium coated paper for exceptional print quality—for example, for a final draft, a colorful notice, or the master copy of a presentation. Colors appear richer and more vibrant on such paper.

- Use only coated paper designed for use with the Color StyleWriter 2200.
- One side of the paper is a little whiter than the other and is better for printing. See the package label on the coated paper to determine which side is better, and load that side so that it faces you.

## Glossy paper

Use glossy paper for the highest print quality you can get on opaque paper—for example, for color proofs.

- Use only glossy paper designed for use with the Color StyleWriter 2200.
- When loading a stack of glossy paper into the sheet feeder, put a single sheet of plain paper at the back of the stack to prevent misfeeding.

## Back-print film

Use back-print film for the highest print quality of all—for example, for digitized photographs or important client presentations. Back-print film has a shiny surface and works exceptionally well when displayed by backlighting.

- Use only back-print film designed for use with the Color StyleWriter 2200.
- Load back-print film so that the chalky side faces you.
- When loading a stack of back-print film into the sheet feeder, put a single sheet of plain paper at the back of the stack to prevent misfeeding.
- In the Print dialog box, be sure to select Back Print as the paper type.
- The printer automatically reverses the image and prints it on the film's chalky side so that the image looks correct when viewed from the shiny side.



## Transparencies

Use transparencies when you want to present your document on an overhead projector.

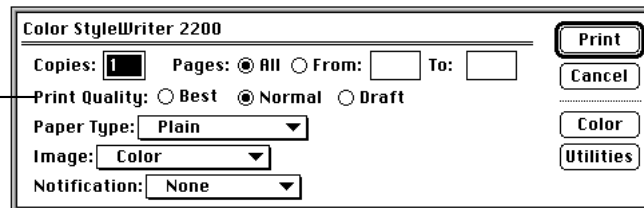
- Use only transparencies designed for use with the Color StyleWriter 2200. These special transparencies have a sheet of paper attached to them; leave the paper attached until after printing.
- Load the transparencies so that the shiny side faces you and the edge where the paper and the transparencies are attached points downward.

## Quality

For highest quality printing, consider the following suggestions:

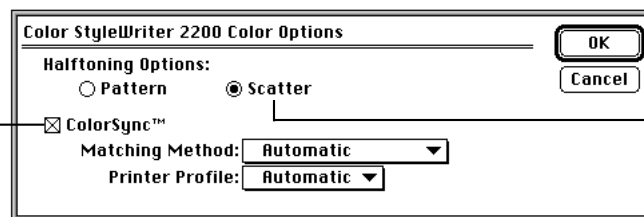
- Use the following selections in the Print dialog box. (To display the dialog box, choose Print from the File menu.)

Select Best quality. Best quality takes longer to print, but you get dramatically better quality—even on plain paper.



- Choose Best quality when you use the black cartridge to take advantage of Apple's 720 by 320 dots per inch edge-smoothing technology.
- Print on coated or glossy paper, back-print film, or transparencies.
- Also consider the following selections in the Color Options dialog box. (To display the dialog box, click the Color button in the Print dialog box.)

To turn on color matching and get the best quality color printing, check the ColorSync box.



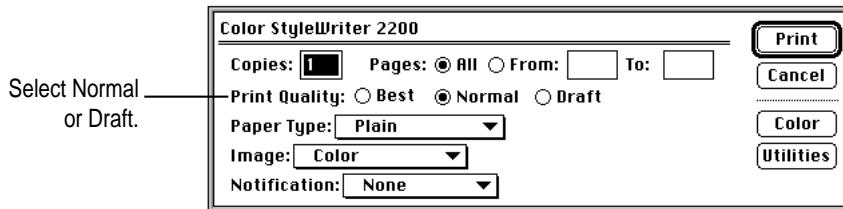
Many people prefer the look of the Scatter halftoning method.

For more information on color matching, see “Adjusting Color Options” in Chapter 2.

## Speed

Try these suggestions for faster printing:

- Change the Print Quality setting in the Print dialog box. (To display the dialog box, choose Print from the File menu.)



- Also use the following selections in the Color Options dialog box. (To open the Color Options dialog box, click the Color button in the Print dialog box.)



- Color printing takes longer than black printing. The black ink cartridge is designed for efficient, high-speed black-and-white and grayscale printing. If you're printing four or more pages in black or grayscale, use the black cartridge.

## Cost

To reduce the amount of ink you use, and so save on cost, keep in mind the following tips:

- Select Draft quality in the Print dialog box whenever possible.
- Use the black cartridge instead of the color cartridge to print black-and-white pages most cost-effectively.

# 5

## Maintaining Your Printer



It doesn't take much effort to keep your Color StyleWriter 2200 printer in good working condition. You simply have to replace the ink cartridges or their ink tanks when they run out of ink and clean the printer or print head if you notice a problem.

For other service, see the information about service and support that comes with your Color StyleWriter 2200.

**IMPORTANT** Follow all the safety instructions given at the beginning of Chapter 1.

### Replacing ink tanks

The color ink cartridge contains two separate, replaceable ink tanks, one for black ink and one for cyan, magenta, and yellow inks. Having two separate ink tanks means that when you run out of black ink, you don't have to replace both tanks. (Most people use more black ink than any other color.) The black cartridge contains one replaceable ink tank.

**WARNING** Use only ink specially designed for the Color StyleWriter 2200. The wrong ink can damage the print head and the printer, and such damage is not covered under the warranty.

## When to change ink tanks

Look carefully at your printed documents to see if a color is missing or faded. Sometimes it's obvious—such as when you run out of black ink. At other times you may notice that the colors seem wrong—such as when you're printing a nature scene and you run out of yellow.

The best way to verify that ink is running low is to print the test page. (For details, see “Printing the Test Page” in the section “Cleaning the Print Head” later in this chapter.)

*Note:* Depending on how much printing you have done with your ink cartridge, this may be a good time to replace the entire cartridge. (A new cartridge comes with fresh ink tanks installed.)

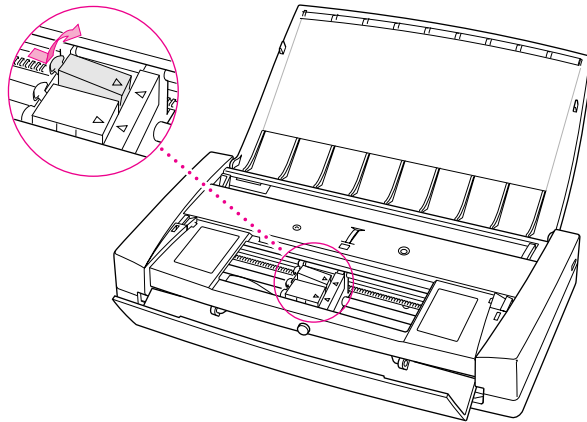
## How to change ink tanks

- 1 Turn on the printer.
- 2 Open the cartridge access door.

Wait while the carrier moves to the center position.

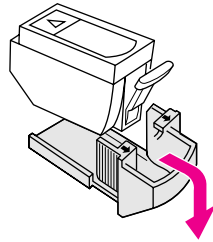
*Note:* Instructions are inscribed on the left side of the cartridge cavity to remind you how to change an ink tank.

- 3 Remove and discard the old ink tank.



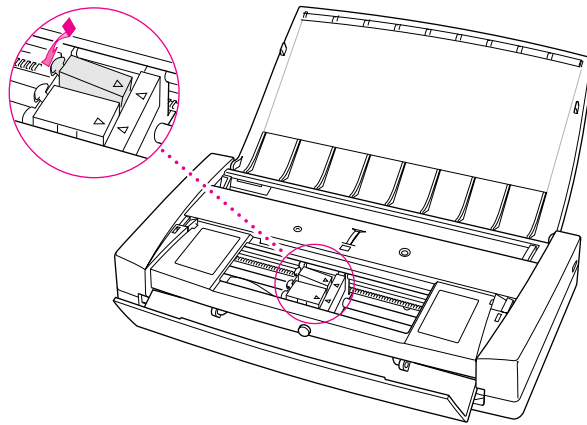
**4** Remove the new ink tank from its packaging.

**5** Remove the plastic cap from the ink tank.



Pull forward and down on both sides of the cap to remove it.

**6** Insert the tank into the cartridge, and push it down so it snaps into place.



**7** Close the cartridge access door.

## Replacing an ink cartridge

The ink cartridge contains the print head, the device that takes the ink and sprays it on the paper. The Color StyleWriter 2200 printer comes with two ink cartridges: a black cartridge that contains a replaceable black ink tank and a color cartridge that contains two replaceable ink tanks.

## When to replace an ink cartridge

Age is the primary factor in determining when a cartridge wears out. If you've done a lot of printing with your cartridge and notice a gradual deterioration in print quality, it may be time to install a new ink cartridge. Before you do, try printing the test page in case a clogged nozzle is the problem. (See "Printing the Test Page" in the section "Cleaning the Print Head" later in this chapter.)

*Note:* A new ink cartridge comes with a fresh ink tank or tanks already installed.

## How to find ink cartridges

You should be able to find cartridges, ink tanks, and other supplies for your Color StyleWriter 2200 printer at any Apple-authorized reseller.

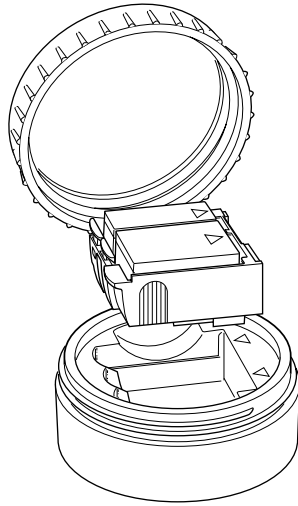
## How to replace an ink cartridge

**IMPORTANT** Before replacing the cartridge, try printing the test page. (See "Printing the Test Page" in the section "Cleaning the Print Head" later in this chapter.)

For instructions on replacing an ink cartridge, see "Installing an Ink Cartridge" in Chapter 1.

## Storing the ink cartridge you aren't using

The Color StyleWriter 2200 comes with two ink cartridges, a black and a color cartridge. While they are sealed in their original packaging, the ink cartridges are protected. If you open both packages and switch ink cartridges for printing different documents, be sure to store the one you're not using in the storage case supplied with your Color StyleWriter 2200. The storage case keeps the print head from drying out and prevents accidents with ink stains.



Once you've removed both cartridges from their original packages, always keep one inside the printer and the other in the storage case.

## Cleaning the print head

Occasionally, the nozzles on the print head may become clogged. If you notice problems with the print quality, such as horizontal white lines in your document, you may need to clean the print head. There are three ways to do this:

- **Press the purge button.** For more information about using the purge button, see “Installing an Ink Cartridge” in Chapter 1.
- **Clean the print head as part of a print request.** This is the fastest method of clearing nozzles. It tells the printer to clean the print head before it starts printing the next document.
- **Print a test page.** This method gives you a test pattern you can evaluate, but it takes a bit longer.

**IMPORTANT** Cleaning the print head consumes a small amount of ink. If you repeat the procedure unnecessarily, you reduce the life of your ink tanks.

## Cleaning the print head as part of a print request

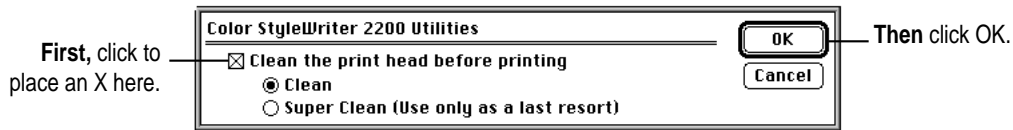
To clean the print head, follow these steps:

- 1 **When you are about to print a document, click the Utilities button in the Print dialog box.**

The Print Utilities dialog box opens.

- 2 **Make your choices in the Utilities dialog box.**

The Super Clean option uses more ink than the Clean option, so use Super Clean only as a last resort.



The Print Utilities dialog box closes, and the Print dialog box reappears.

- 3 **In the Print dialog box, click Print.**

The printer cleans the print head before printing your document.

*Note:* After the printer cleans the print head and prints your document, the cleaning option is automatically turned off. You don't have to turn it off before printing again.

## Printing the test page

To print the test page and clean the print head, follow these steps:

- 1 **Turn off the printer.**
- 2 **Make sure you've loaded U.S. Letter or A4 paper into the printer.**
- 3 **Press and hold down the power button until the amber error light turns off.**
- 4 **Release the power button and wait for the test page to print.**

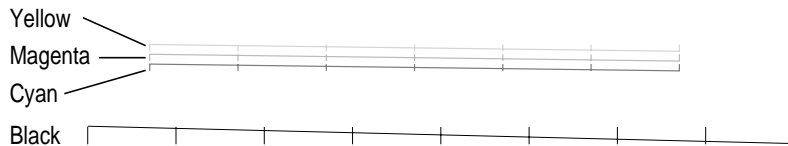


**5 Examine the nozzle test pattern for broken or missing horizontal lines.**

The nozzle test pattern appears near the bottom of the test page. The test pattern for the color ink cartridge looks like this:

A broken line means a nozzle on the print head needs to be cleaned.

A missing color means you need to replace an ink tank.



The test pattern for the black ink cartridge looks like this:



**6 If you see broken or missing lines, try the following:**

- Print the test page again until the problem clears up or the ink runs out completely.
- Replace the ink tank containing the missing color.

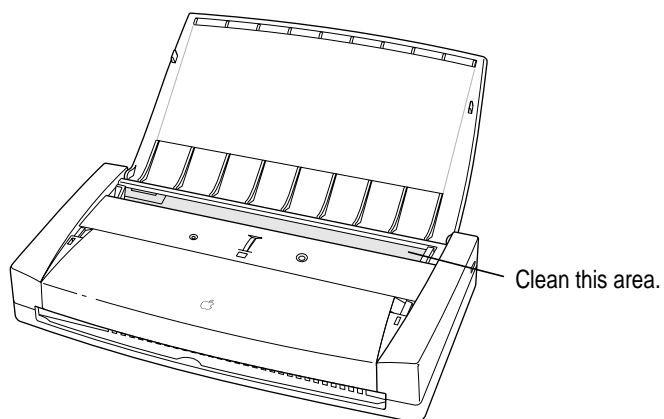
## Cleaning the outside of the printer

Before you clean the printer, turn it off and unplug the power adapter. Then wipe the outside of the printer with a clean, soft cloth dampened with water. If necessary, you can use a mild soap or detergent. Be careful not to get any liquid in the power adapter receptacle.

**WARNING** Don't use ammonia-based or alcohol-based cleaners on or around the printer—they may react with the plastic.

## Cleaning the inside of the printer

Occasionally you may need to wipe off paper dust or drops of ink inside the printer. Turn the printer off and unplug it. Then open the printer and carefully clean the area shown with a soft, dry cloth.



**WARNING** Don't use any liquid cleaners inside the printer.

## Travel tips

If you plan to travel with your Color StyleWriter 2200, follow these tips to safely transport your printer.

- Turn off the printer before transporting it to assure that the ink cartridge returns to its parked position.
- Remove any paper from the sheet feeder.
- Remove the power adapter and the Apple System/Peripheral-8 cable.
- Remove the battery from the battery attachment if you will not be using the printer for more than a month.
- Carry a replacement battery with you in case the installed battery runs low and you don't have access to a power source for charging. Keep the replacement battery in its packaging until you install it.
- If you plan to travel to another country, you may need to obtain an adapter designed for the electrical outlets in that country. An optional universal power adapter is available for the Color StyleWriter 2200.
- Do not leave the printer in a car or any other place where it might get too hot.
- Protect the printer from vibration and physical shock.

# 6

## Troubleshooting



This chapter provides solutions to some problems that you may encounter while using your Color StyleWriter 2200 printer.

As long as you follow the maintenance instructions in Chapter 5, you're not likely to have any problems with your Color StyleWriter 2200. The most common source of trouble is faulty software installation. To avoid these problems, follow the software installation instructions in Chapter 1.

**WARNING** If you have a problem with your Color StyleWriter 2200 printer and nothing presented in this chapter solves it, consult the service and support information that came with your printer for instructions on how to contact an Apple-authorized service provider or Apple for assistance. If you attempt to repair the Color StyleWriter 2200 yourself, any damage you may cause to the printer will not be covered by the limited warranty on your printer. Contact an Apple-authorized dealer or service provider for additional information about this or any other warranty question.

## Safety precautions

To prevent damage to the Color StyleWriter 2200 printer and harm to yourself and other users, follow these safety tips.

- Don't touch anything inside the printer except as described in the instructions in this manual. Otherwise, you may damage delicate mechanical parts.
- Don't shake the ink cartridges or ink tanks, or hold them with the ink opening pointing down. Ink can leak out and cause stains.
- Don't touch the ink opening on an ink tank.
- Don't oil the inside of the printer.
- Don't attempt to disassemble the printer.
- Before you unplug the printer, make sure it is turned off. (The green power light should be off.) Turning the power off ensures that the carrier has returned securely to its parked position and the cartridge has been capped.

## The Chooser doesn't show the Color StyleWriter 2200 icon

If you open the Chooser and don't see the Color StyleWriter 2200 icon, you probably need to install the appropriate printer software. For instructions, see "Installing Your Printer Software" in Chapter 1.

## Installation is unsuccessful

If a message tells you that installation was not successful—or if you have to repeatedly swap between the same two disks—check to make sure you restarted your computer with all your software extensions off as explained in Chapter 1. If that doesn't work, try removing corrupted fonts or performing a custom installation, as described in the next two sections.

### Removing items from your Fonts folder to solve installation problems

Items in your current Fonts folder can interfere with successful installation of the printer software. To correct the problem, follow these steps:

- 1 **Quit all programs you are currently running.**

- 2** Open the Fonts folder (inside the System Folder) on your Macintosh.
- 3** Drag the following files out of the Fonts folder. (Look for files with exactly these names.)
  - Avant Garde
  - Bookman
  - Delphian
  - Garamond Narrow
  - Helvetica Black, Helvetica Compressed, and Helvetica Narrow
  - Lubalin Graph
  - Lucida Bright
  - Machine
  - Nadianne
  - New Century Schlbk
  - Old English Text
  - Onyx
  - Oxford
  - Swing
  - Zapf Chancery
  - Zapf Dingbats
  - Zeal

You can put the fonts temporarily into a new folder and drag the folder to your desktop. Then, after you install the Color StyleWriter 2200 software (including these fonts), you can drag the temporary folder to the Trash.

- 4** Repeat the software installation procedure in Chapter 1.

For more details about fonts, see Appendix B.

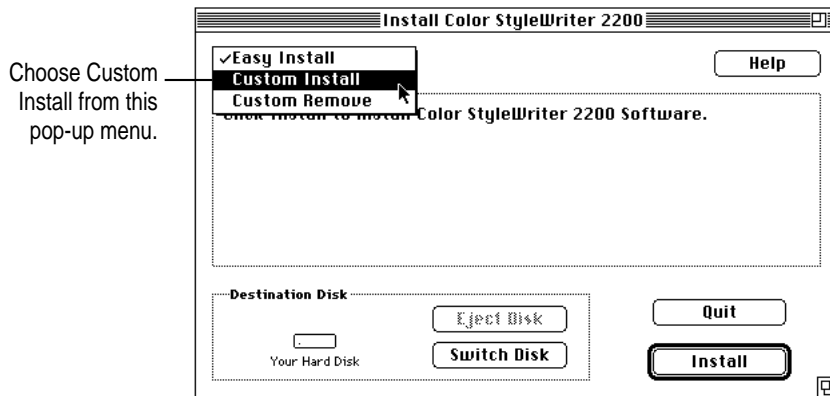
## Using the Custom Installer to solve installation problems

You can install the printer software without installing the fonts that come with the printer. (The disadvantage is that you won't be able to use these fonts if you don't already have them.)

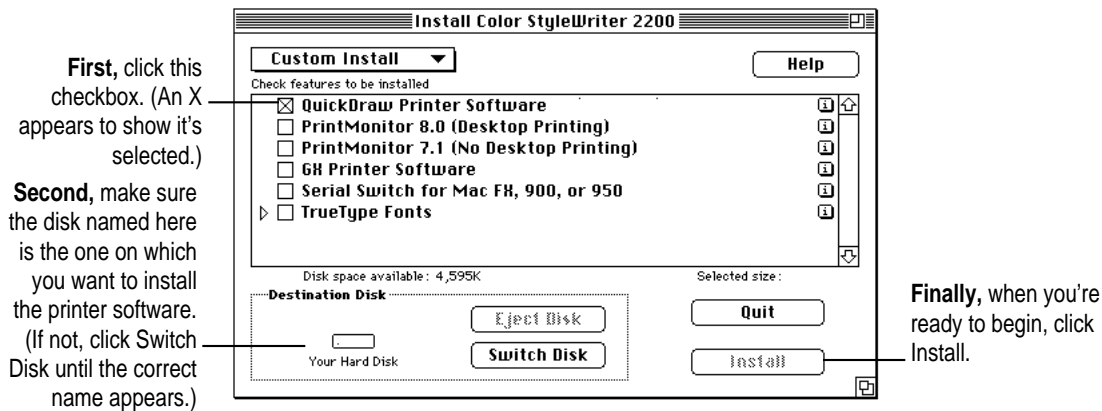
- 1 Insert the *Color StyleWriter 2200 Installation* disk into a floppy disk drive.

If necessary, open the disk icon.

- 2 To start the Installer program, double-click its icon.
- 3 In the Welcome dialog box that appears, click Continue.
- 4 In the Installer dialog box, choose Custom Install.



- 5 In the Custom Install dialog box, click the QuickDraw Printer Software checkbox.



- 6 When you see a message on your screen, follow the directions and insert the next disk.**

The Installer ejects disks and asks you to insert others. Keep following the instructions on the screen until the installation is complete.

- 7 When you see a message reporting that installation was successful, click Restart.**

The Installer restarts your Macintosh.

## The computer crashes while attempting to print

When a computer suddenly stops working—either a message on the screen tells you a system error occurred or the mouse and keyboard act as if they’re disconnected—the computer has crashed.

If your computer often crashes after you tell it to print a document, your printing software may have become corrupted. Reinstall the printer software by following the instructions in “Installing Your Printer Software” and “Telling Your Computer to Use the Color StyleWriter 2200” in Chapter 1.

## The Macintosh doesn’t recognize the Color StyleWriter 2200

If you have selected the Color StyleWriter 2200 printer in the Chooser but nothing prints, or you get a message that no Color StyleWriter 2200 is connected, one of the conditions in the list that follows may be the cause.

*Note:* Before you try to solve the problem, open the Color StyleWriter 2200 desktop printer icon to see if there are any error messages there, and to check how many print requests are waiting. If you repeatedly tried to print a document, there may be multiple copies waiting to print. You can delete anything you don’t want by selecting its title, then clicking the Remove button. See “Monitoring and Controlling Background Printing” in Chapter 2.

- A plug may be loose. To make sure that all cables are securely connected, turn off the computer and the printer, then unplug each end of each cable you want to test and plug it back in. For connection instructions, see Chapter 1.



- You may have indicated the wrong port in the Chooser. Open the Chooser and change the port selection. (Look at the back of the computer to see whether you plugged the printer into the computer's printer port [L] or modem port [M].)
- If you are trying to use a shared printer connected to another Macintosh and the printer name isn't listed in the Chooser, make sure that the other Macintosh is turned on and connected to the network. Also make sure that the printer is set up to be shared. Then try again to select the printer in the Chooser. (*Note:* QuickDraw GX users can share a printer only with other QuickDraw GX users and non-QuickDraw GX users can share only with other non-QuickDraw GX users.) See the instructions in "Sharing Your Printer With Other Users" in Chapter 2.
- You may be using the wrong printer software. Make sure you installed the software as described in Chapter 1 and that you have selected the printer as described in "Telling Your Macintosh to Use the Color StyleWriter 2200," also in Chapter 1. Don't use software intended for older StyleWriter printers.
- If you're using a PowerBook computer with an internal modem, change the serial port setting to Normal or External. For details, see "Special Information for PowerBook Owners" in the section "Telling Your Computer to Use the Color StyleWriter 2200" in Chapter 1.
- If your computer is not connected to a network, turn off AppleTalk in the Chooser.
- The printer may need to be reset. Turn the printer off, count to five, then turn it back on.

If you still can't resolve the problem, the printer may not be working properly. See the information about service and support that comes with your printer.

## Desktop printer icons behave unusually

**A desktop printer icon appears again as soon as I drag it to the Trash.**

You must always have at least one desktop printer icon. If you drag your last desktop printer to the Trash, the computer instantly creates another one just like it.

If you don't wish to use desktop printers at all, you can remove the desktop printing software, as described in Appendix E.

**An X appears over the desktop printer icon.**

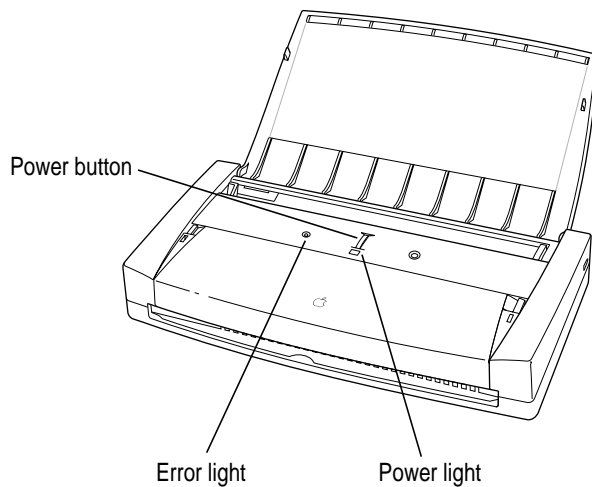
When a desktop printer is not working, it appears with an X over it.

- You may have started up the computer using a different startup disk or temporarily turned off all the software extensions. When you restart the computer as usual, the icons will return to normal.
- You may have removed the desktop printing software that created the printer icons. If you meant to do so, you can drag the icons to the Trash. If not, you can reinstall the software as explained in Chapter 1.

## A PowerBook has trouble printing to the Color StyleWriter 2200

Some PowerBook computers have special requirements for printing. See “Special Information for PowerBook Owners” in the section “Telling Your Computer to Use the Color StyleWriter 2200” in Chapter 1.

### The lights indicate a problem



Sometimes the lights on the printer signal a problem.

- **Both lights are off.** To conserve energy, the printer turns itself off if it's left idle for some time (usually about 5 minutes). If you suspect a problem, press the power button. If the lights remain off, check to make sure the power adapter is plugged in properly and the outlet has power, or that the battery attachment has been connected properly. If you can't turn the printer lights on, see the information about service and support that came with the printer.
- **Both lights are blinking.** The battery is low and you need to charge it. See "Charging the Battery" in Chapter 3.
- **The error light glows steadily.** Either the printer is out of paper or the paper has misfed. Check your computer screen for messages. See Chapter 1 for instructions on loading the sheet feeder, or "Paper Is Jammed" and "Paper or Envelopes Feed Improperly" later in this chapter.
- **The error light blinks.** The ink cartridge may not be seated properly. Open the cartridge access door and make sure the cartridge is inserted correctly. For instructions, see "Installing an Ink Cartridge" in Chapter 1. After checking the cartridge, make sure the cartridge access door is closed completely.

## The printer seems slow

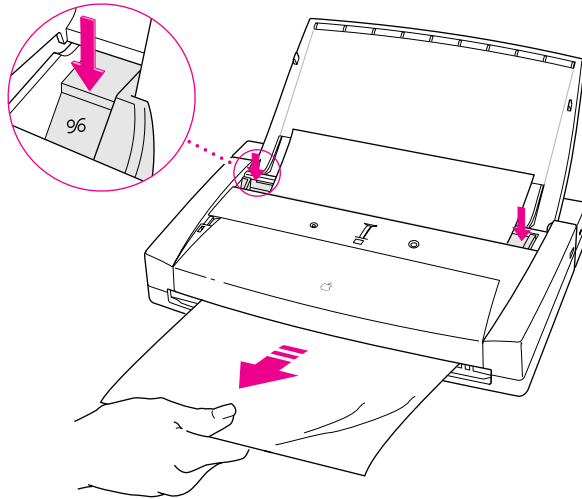
See the suggestions in "Speed" in Chapter 4.

If you have a Macintosh IIfx, Macintosh Quadra 900, or Quadra 950 computer, check the Serial Switch control panel. Make sure the setting is "Compatible."

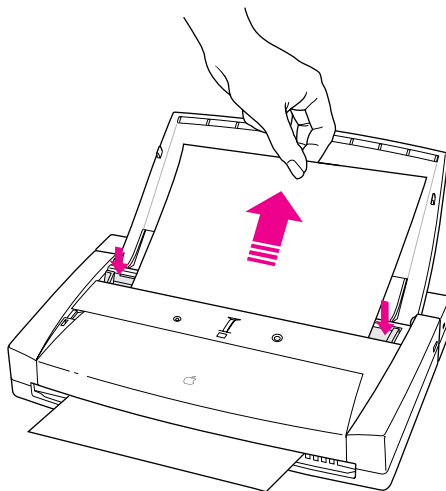
## Paper is jammed

Occasionally a piece of paper may get jammed (stuck) inside the printer during the printing process. To clear a paper jam, follow these steps:

- 1 Hold down both ends of the paper release panel to free the paper.



- 2 Gently pull the paper free as shown.



## More than one piece of paper passes through the printer at a time

Follow these steps:

- 1 Remove all the paper from the sheet feeder.
- 2 Turn off the printer.
- 3 Turn the printer back on.
- 4 Put the paper back in.

Do not force the paper into the sheet feeder.

## Paper or envelopes feed improperly

If paper tears, gets skewed, or comes through the printer crumpled, it may not be entering the printer properly. Try the following:

- **Make sure you have loaded the paper correctly.**

For instructions on loading paper, see “Positioning Print Materials in the Sheet Feeder” in Chapter 2.

- **Do not overload the sheet feeder.**

The feeder holds up to 5 envelopes or up to 30 sheets of 20-pound paper. If you use heavier paper, fewer sheets will fit in the feeder.

- **Make sure nothing has fallen into the sheet feeder.**

Remove any paper from the sheet feeder, then carefully turn the whole printer upside-down and shake it.

- **Try to remove any torn or damaged pieces of paper from the printer.**

See “Paper Is Jammed,” earlier in this chapter.

- **Take the paper out of the sheet feeder and check it.**

Make sure none of the sheets is curled, bent, or dog-eared.

Make sure the edges of the stack line up evenly.

Make sure the left paper guide isn't too snug or too loose. The stack should lie flat (not bowed).

Make sure the paper doesn't slide down into the printer.

Load either envelopes or paper (not both) into the sheet feeder.

Make sure you have inserted envelopes correctly. The flaps should lie flat against the envelope, the edges should be smoothed flat, and no air should be trapped in the envelopes.

When loading back-print film, labels, or glossy paper, put a sheet of plain paper at the back of the stack.

When loading transparencies, the shiny side should face you. The edge where the paper and the transparency are joined should point downward.

## The Color StyleWriter 2200 won't print a particular document

If you attempt to print a document and no page is printed—not even a blank one—try the following:

- Check for messages on your Macintosh screen. Also, open the window for your printer by double-clicking its desktop icon.
- Your computer may be low on memory. See “Memory is Low” later in this chapter.
- Turn the printer off, then on again. (This resets the printer.)
- Repeat the printing process.

Sometimes problems disappear when you try to print your document again.

- Printing problems can often be caused by errors in your programs. If you can print from the SimpleText or TeachText program but not from another program, it's probably a problem with that program. Contact the publisher of that program for help.
- Restart your Macintosh.

## The printer acts as if it's working, but nothing is printed on the page

If your printer takes the paper, but doesn't actually print anything, try the following:

- If the ink cartridge is new, make sure that you removed the orange plastic cap and orange tape from its print head.
- Make sure the ink cartridge and the ink tanks are correctly installed. (For instructions, see “Replacing Ink Tanks” and “Replacing an Ink Cartridge” in Chapter 5).
- The printer may be out of ink. You can check by seeing whether the test page prints. To print a test page, see “Printing the Test Page” in the section “Cleaning the Print Head” in Chapter 5.

## Messages appear on your computer screen

Most messages that appear on your screen are self-explanatory. For example, they may tell you that the printer is out of paper or that the paper is jammed. Once you correct the problem, the message goes away.

Here are some other problems that on-screen messages might report:

**You document will be printed in the background when more memory is available.**

The computer doesn't have enough spare memory to print in the background.

- Click Cancel if you don't want to print.
- Click Print Later if you want the document to print when more memory is available. To free up memory, quit some of the programs you are running.
- Click Print Now to print the document in the foreground. You won't be able to use the computer until the document is printed.

**There is an error in the printer.**

Check to make sure the cable is still connected to the printer and the computer. Also, the ink cartridge may not be seated properly. Turn off the printer and open the printer's cover. Make sure the cartridge is inserted properly, and that the cartridge access door is closed completely.

**The printer detects an end of paper error.**

If you are using a valid size of paper, make sure that you indicate the size in the Page Setup dialog box. Valid sizes for the Color StyleWriter 2200 are: U.S. Letter, U.S. Legal, A4 Letter, Executive, #6 envelopes, and #10 envelopes. Other sizes will not work correctly.

**No Paper or Wrong Paper Size**

These messages usually mean what they say. Occasionally they can appear when you have the wrong port indicated in the Chooser. See “Telling Your Computer to Use the Color StyleWriter 2200” and “Special Information for PowerBook Owners” in Chapter 1.

**Memory is low.**

See the next section.

## Memory is low

If you experience any of the following problems, your computer may be temporarily low on random-access memory (RAM):

- Some documents do not print.
- Some fonts incorrectly appear in the Geneva font.
- Characters look jagged.
- An “out of memory” message appears on your screen.

If so, try one or more of the following:

- Run only one program at a time; quit the ones you're not using.
- Choose “Black and White” instead of “Color” in the Print dialog box.
- Turn off background printing. See “Printing While You Use Your Computer” in Chapter 2.



- Turn on virtual memory in the Memory control panel. Virtual memory is described in the instructions that came with your computer. (*Note:* Using virtual memory can sometimes slow down your computer.)
- Obtain additional RAM for your computer to solve some of these problems. This can sometimes improve printing speed as well.

## Documents did not print as expected

If the quality of printing is OK—not smeared or incomplete—but the result is not as you expected, you may have made a mistake in using the printer software. Check the subsections that follow for suggestions.

### Text appears in the Geneva font or prints jagged

When your Macintosh computer is low on memory, it may display and print certain fonts in the Geneva font. (*Geneva looks like this.*) Some text may also have jagged edges. To fix low-memory problems, see “Memory is Low,” earlier in this chapter.

If you’re printing to a shared StyleWriter that is not directly connected to your computer and you use Adobe Type Manager, the PostScript version of your fonts must be installed on the computer that is directly connected to the StyleWriter.

For more information about fonts, see Appendix B.

Some rotated text may print jagged if you apply a style that has not been defined for the font. Try applying plain style to the text.

### Text prints but pictures do not

Some advanced page layout and art programs use the PostScript page description language, a language that the Color StyleWriter 2200 does not understand. If your programs have a PICT preview option, that will allow you to print the file on a Color StyleWriter 2200.

## Page breaks change unexpectedly

Most programs determine where to break pages by evaluating the information you provide in the Page Setup dialog box. Also, different types of printers may space text in slightly different ways. The following events can cause page breaks to change:

- changing from one type of printer to another
- changing the page size in the Page Setup dialog box
- scaling the document in the Page Setup dialog box
- changing the orientation in the Page Setup dialog box

It's best to choose the printer you want and the Page Setup options you need before working on your page breaks.

## A page prints off center

This problem may result from one of the following conditions:

- You have selected the wrong page size in the Page Setup dialog box.
- The margins are set incorrectly in the document you are printing.
- Paper is not placed properly in the sheet feeder. See “Paper or Envelopes Feed Improperly” earlier in this chapter.
- You are not using recommended printing materials.

## Text lines up in columns on the screen but not when it prints

You may have used spaces (rather than tabs) to line up the text. Because printers interpret spaces differently than the screen does, the text may fail to line up when you print it. Try replacing the spaces with tabs.

You can also make columns by using a monospace font—such as Courier or Monaco—instead of tabs. A monospace font is one in which every character has the same width.

## Everything prints backwards

Choose the Print command and check what paper type you've selected in the dialog box that opens. If you indicate that you're printing on back-print film, the printer reverses the image.

## Watermark problems

### The wrong watermark printed.

If you selected one watermark, but a different one printed, you can fix it by changing the modification date and time of one of the watermark files. To change the modification date, open one of the files, then save it using the Save As command. (The watermark files are stored the Printing Prefs folder, which is in the Preferences folder inside the System Folder.) When asked if you want to replace the file, say yes.

### I created a new watermark, but it doesn't show up in the dialog box.

- Make sure the watermark was saved as a PICT or PICT2 file.
- Make sure the file was saved in the Printing Prefs folder, which is in the Preferences folder inside the System Folder.

## Print quality is poor

Most image problems are caused by problems with an ink cartridge or with your choice of paper. Don't use the following types of paper:

- erasable typing paper
- damaged, wrinkled, or stapled paper
- multipart forms ("carbonless carbons")
- glossy paper, unless its especially designed for StyleWriter printers

If you use plain paper, use 16- to 24-pound copier paper; 20-pound paper is recommended. Plain papers can vary widely. If you're not happy with one kind of paper, try a different brand.

## The image is too light or too dark

If printing looks fuzzy because it's too light or too dark, try the following:

- Check the nozzles in the print head. See “Checking the Print Nozzles” in Chapter 1 for instructions. You may have to replace an ink tank or an ink cartridge. See “Replacing Ink Tanks” and “Replacing an Ink Cartridge” in Chapter 5 for instructions.
- Make sure you've chosen the correct paper type in the Print dialog box.
- If you're using plain paper, try flipping the stack of paper in the paper tray. Most paper has one side that's better for printing. If you're using other material, make sure you have it loaded in the correct orientation. See “Positioning Print Materials In the Sheet Feeder” in Chapter 2.
- Try using a different kind of paper.
- Try choosing Best quality in the Print dialog box.

## Ink smears when rubbed

Don't handle pages before the printer ejects them from the printer. This allows all the time needed for the ink to dry.

## Pages leave the printer smeared, blurred, or smudged

The print head may be too close to the paper it's printing on. Use only paper of the recommended weight.

## Printing appears on only part of the paper

Check the selections in the Page Setup dialog box. You may have set the page size incorrectly.

Check the nozzles in the print head. See “Checking the Print Nozzles” in Chapter 1 for instructions. You may have to replace an ink tank or an ink cartridge. See “Replacing Ink Tanks” and “Replacing an Ink Cartridge” in Chapter 5 for instructions.

### The image prints wavy or distorted

Make sure that you are using recommended types and weights of paper. If the problem persists, see the information about service and support that comes with the printer.

### Stains appear on printed pages

Stains on the backs or tops of printed pages may mean that ink has spilled inside the printer. Follow the instructions in “Cleaning the Inside of the Printer” in Chapter 5.

### Ink tanks run out of ink too quickly

If it seems like an ink tank has run out of ink too quickly, clean the print head to make sure the ink tank is actually out of ink and not just clogged. See “Printing the Test Page” in the section “Cleaning the Print Head” in Chapter 5.

To extend the life of your ink tanks, try the following:

- Select Draft print quality in the Print dialog box whenever you can.
- Use the black cartridge when you print more than a few black-and-white pages.
- Don't clean the print head unless necessary.
- Don't print solid background colors unless necessary.
- Don't print the test page unless necessary.

The more ink you use per page, the fewer pages you'll be able to print per ink tank. For example, if you use the black cartridge to print double-spaced text, you could get approximately 150 pages from one black ink tank. If you print single-spaced text, you will only get about 75 pages per ink tank.

Color pages typically use much more ink per page than black text pages, which results in fewer color pages per ink tank.



## Appendix A Technical Information

• • • • •

### General specifications

#### Marking engine

- Thermal ink-jet engine

#### Resolution

- 360 dots per inch (dpi) for text and graphics (180 dpi for Draft quality); black cartridge uses 720 by 360 dpi edge-smoothing technology for Best quality printing.

#### Engine speed

- Prints up to 5 black-and-white pages per minute with Normal or Draft quality. Prints one color page with Normal quality in less than 3 minutes. Printing speed depends on the images printed and on the Macintosh computer used.

#### Connector cable

- Apple System/Peripheral-8 cable

#### Interface

- High-speed serial (RS-422)

#### Paper feed in pounds (lb.) and grams/meter<sup>2</sup> (g/m<sup>2</sup>)

- Sheet feeder holds up to 30 sheets of 20 lb. (75-g/m<sup>2</sup>) paper or 5 envelopes.

### **Printing materials**

- Plain paper: Use 16 lb. (60 g/m<sup>2</sup>) to 24 lb. (90 g/m<sup>2</sup>) paper.
- Accepts most letterhead and colored stock.
- Accepts medium-weight sheets of labels.
- Use #6 or #10 envelopes.
- Apple recommends back-print film, transparency film, coated paper, and glossy paper especially designed for Color StyleWriter printers. See your Apple-authorized dealer or reseller.

### **Paper sizes in millimeters (mm) and inches (")**

- U.S. Letter: 215.9 mm x 279.4 mm (8.5" x 11")
- U.S. Legal: 215.9 mm x 355.6 mm (8.5" x 14")
- Executive: 184.2 mm x 266.7 mm (7.25" x 10.5")
- A4 Letter: 210 mm x 297 mm (8.3" x 11.7")
- #10 envelopes: 241.3 mm x 104.7 mm (9.5" x 4.125")
- #6 envelopes: 165.1 mm x 92.1 mm (6.5" x 3.625")

### **Dimensions**

- Height: 57.1 millimeters (2.2 inches)
- Width: 300 millimeters (11.8 inches)
- Depth: 158.2 millimeters (6.2 inches); with battery attachment, 212.2 millimeters (8.3 inches)

### **Weight**

- Approximately 1.4 kilograms (3.1 pounds); with battery attachment, 1.9 kilograms (4.2 pounds)

### **Battery attachment dimensions**

- Height: 57.6 millimeters (2.3 inches)
- Width: 300 millimeters (11.8 inches)
- Depth: 54 millimeters (2.1 inches)

### **Battery attachment weight**

- Approximately 224 grams (0.49 pounds); with battery installed, 490 grams (1.1 pound)

## Ink cartridges

- Black ink cartridge: M3909G/A
- Color ink cartridge: M3908G/A

## Replacement ink tanks

- Black ink tank for color cartridge: M3912G/A
- Color ink tank for color cartridge: M3911G/A
- Black ink tank for black cartridge: M3910G/A

## Operating environment

### Temperature

- 15° to 30° C (59° to 86° F)

### Relative humidity

- 10 percent to 80 percent, noncondensing

## Storage environment

### Temperature

- 0° to 35° C (32° to 95° F)

### Humidity

- 5 percent to 95 percent, noncondensing

## Power supply

- AC power adapter or NiMH (nickel-metal hydride) battery

## Power requirements for AC power adapter

### U.S./Japan

- 120 volts AC, 60 hertz, 1.0 ampere (amp)

### Europe/Australia

- 220 to 240 volts AC, 50 hertz, 0.5 amp



## Power consumption

### Operating

- 31.5 watts maximum

## Printable surface

- Maximum printable line: 206 millimeters (8.1 inches)
- Minimum margins: 5 millimeters (0.2 inches) left and right;  
3 millimeters (0.1 inches) top; 8 millimeters (0.3 inches) bottom

## Available options

- Battery attachment: M3618ZM/A
- Replacement battery: M4084G/A
- Universal power adapter:
  - North America–style plug: M4133G/A
  - Japan-style plug: M4132G/A
  - Continental Europe–style plug: M4134G/A
  - United Kingdom–style plug: M4135G/A
  - Australia-style plug: M4136G/A





## Appendix B Using Fonts With the Color StyleWriter 2200 Printer



A font is a collection of letters, numbers, and symbols in a distinctive typographic design. Your Macintosh computer and Color StyleWriter 2200 printer come with a variety of fonts that look great both on your monitor and on paper.

Fonts come in such a variety of formats that problems can sometimes arise. This appendix provides the information you need to avoid such problems and to solve them if they come up.

### Kinds of fonts

The Macintosh works with three main kinds of fonts: TrueType, bitmapped, and PostScript™ fonts.

Apple provides two kinds of fonts with your Macintosh and the Color StyleWriter 2200 printer: TrueType and bitmapped. However, your system can use PostScript fonts as well when it has the proper software installed.

## TrueType fonts

A TrueType font is scalable, describing a typeface without rigidly specifying a size. So it looks good whatever size you choose. TrueType fonts provide sharp text at any size on screen or on paper. You can mix and match TrueType fonts from various font vendors.



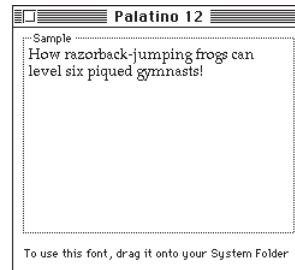
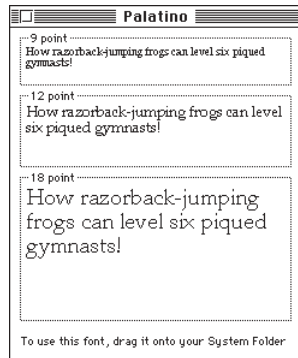
Courier

TrueType fonts store individual text characters as mathematical descriptions of lines and curves, rather than as groups of pixels (a bitmap). When a program asks for a character in a particular size, such as 33 points, the Macintosh uses mathematical calculations to enlarge the character's outline to 33 points and fill in the dots for the monitor or printer output.

Sometimes you'll still get jagged edges when you print a document, even when you use a TrueType font. In nearly all cases, this is because there isn't enough memory available to scale the font properly for printing. This may happen, for example, when you're running several programs at the same time.

Because you don't need a separate font for each character size in order for your printing to look good (as you do with bitmapped fonts), TrueType font names don't have numbers in them.

*How does a font look?* To see what a TrueType or bitmapped font looks like on your screen, double-click the font's icon to open it. A sample of that font appears (in three sizes for TrueType fonts and in the size you opened for bitmapped fonts).



You can also use the Key Caps desk accessory to examine fonts. See the documentation that came with your computer for instructions.

## Bitmapped fonts

Bitmapped fonts consist of “pictures” of a typeface at specific sizes. For example, you might have bitmapped fonts at 10-, 12-, and 18-point sizes installed in your Macintosh computer. For best results you need a separate font file for each size of character you want to use.

The icon of a bitmapped font (also called a *fixed-size font* or *screen font*) has the single letter *A* on it. The font’s point size appears at the end of its name.



Monaco 12

When you request a bitmapped character, your Macintosh looks for an installed bitmapped font in the size you specified. (See “How the Macintosh Looks for Fonts” later in this appendix.) If it can’t find that font, your Macintosh tries to construct one by scaling a size that it does find.

In most cases, scaled bitmapped fonts don’t look nearly as good as preinstalled ones. Such scaling is one reason for the jagged edges (sometimes called “jaggies”) you’ll see on your screen or in a printed document when you request an uninstalled size (for example, 17-point Geneva).

Bitmapped fonts are designed on grids of 72 dots per inch (dpi)—the standard Macintosh screen resolution. Because of their correspondence to the standard screen resolution, bitmapped fonts in preinstalled sizes always look great on your display.

When you print a bitmapped font, it prints at a resolution of 72 dpi. Because most modern printers can print at resolutions far better than this (your Color StyleWriter 2200 prints at 360 dpi or better), printed bitmapped fonts almost always have jagged edges or stairstep sides.

Fortunately, the Macintosh can use bitmapped fonts in combination with other font formats, reserving bitmaps for the screen and other kinds of fonts for the printer.

## PostScript fonts

PostScript is a page-description language that defines the characters, symbols, and images that appear on each page of a document. A PostScript font comes as a pair of fonts: an outline font for the printer and a corresponding bitmapped font for displaying type on your screen.

*No bitmapped font, no menu entry:* If your system doesn't have the bitmapped font, the PostScript font name won't appear in your font menu.



Certain printers are designed specifically to work with PostScript fonts. While your Color StyleWriter 2200 is not a PostScript printer, it can use PostScript fonts if you have Adobe™ Type Manager software installed. Adobe Type Manager uses printer fonts to generate clean-looking screen text at any size. (This software is included with system software version 7.5. It is available from your local Apple-authorized reseller for version 7.1.)

**IMPORTANT** Adobe Type Manager is not an Apple product. It is made and supported by Adobe Systems, Incorporated. Only the version that comes with Apple Macintosh system software version 7.5 is supported by Apple.

PostScript printer fonts have no numbers associated with their names, because a single font can be scaled to any size.

## QuickDraw GX imaging technology

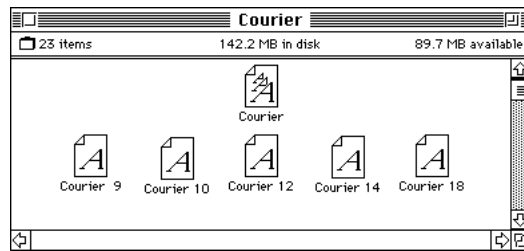
A QuickDraw GX font is a TrueType or PostScript font with an additional set of sophisticated features. These features include extremely accurate typographic elements such as ligatures and kerning, plus the ability to skew, rotate, and add perspective to text in extremely flexible ways.

## How TrueType fonts work with other kinds of fonts

Although TrueType fonts offer distinct advantages, your Color StyleWriter 2200 printer can also use other kinds of fonts.

### TrueType and bitmapped fonts

Macintosh computers running System 7 come with both bitmapped (screen) fonts and TrueType fonts installed. This maintains consistency with documents created on Macintosh systems that don't have TrueType fonts.



Bitmapped fonts look better displayed on the monitor, while TrueType fonts look better on a high-resolution printer such as the Color StyleWriter 2200. So, if you have both versions of the font available, the Macintosh uses the bitmapped version when displaying the font on the screen (provided that the size you're using is available) and the TrueType version when printing the font on the Color StyleWriter 2200. To force the Macintosh to use only TrueType fonts everywhere, you must remove the bitmapped fonts.

For example, if a document uses 12-point Times®, available in that size as a bitmapped font and as a TrueType font, the system uses the bitmapped font on the screen and the TrueType font on the printer. If a document uses 4-point Times, the system scales the TrueType font to that size for both the screen and the printer, because a bitmapped version isn't available.

Using only TrueType fonts produces a closer match between the appearance of type on the screen and on paper. However, a document you've already created with bitmapped fonts will be reformatted with the corresponding TrueType fonts, and line breaks in the document may change. Similarly, if a document is created on a system that has TrueType fonts or Adobe Type Manager software installed, it may have different spacing, kerning, and so on, when opened on a system that doesn't have TrueType fonts or Adobe Type Manager software.

### Keeping two font versions available

If you have a TrueType version of a font, you don't need a bitmapped version. However, although keeping both versions of a font takes up more disk space, there are several advantages to doing so.

Bitmapped fonts are hand-designed: a graphic artist planned each character in each font to look good on a screen. TrueType fonts are scaled by the computer to match what you request. At smaller point sizes, the bitmaps may appear sharper.

Additionally, scaling fonts takes time—sometimes up to several seconds in slower Macintosh computers; but all Macintosh computers can display a bitmapped font instantly.

### TrueType and PostScript fonts

PostScript fonts were designed as fonts for PostScript printers. The Color StyleWriter 2200 wasn't designed to use PostScript. However, if you have Adobe Type Manager software installed, your computer can both display and print PostScript fonts.

*Use different names:* To avoid confusing the printer software, be sure that you don't install both TrueType and PostScript versions of the same font. For example, do not have a PostScript font file called *Times* and a TrueType font file called *Times* installed in your system at the same time.



## How the Macintosh looks for fonts

Here's the search order your Macintosh uses to determine which font to display on your screen when you choose a specific size:

1. an installed bitmapped font in that size, if one exists
2. a scaled TrueType font, if no bitmapped font exists
3. an Adobe Type Manager (ATM) version of a PostScript font, if ATM is installed and if no TrueType version exists
4. a scaled bitmap if no ATM font exists

Here's the search order it uses to determine which font to print on your Color StyleWriter 2200 printer:

1. a scaled TrueType font, if one exists
2. an ATM version of a PostScript font, if ATM is installed and if no TrueType version exists
3. a scaled 72-dpi bitmap if no ATM font exists

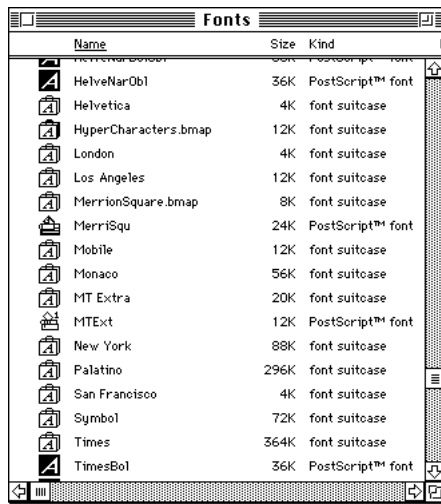


## Where fonts are stored

All fonts for your Color StyleWriter 2200 printer reside in special places within the System Folder. To install fonts, you drag them to the System Folder. Your Macintosh will automatically put them where they belong.

Fonts are installed in the Fonts folder within the System Folder.

The Fonts folder can contain a total of 128 font suitcases (described in the next section), plus any number of PostScript fonts, up to the available storage capacity of your hard disk.



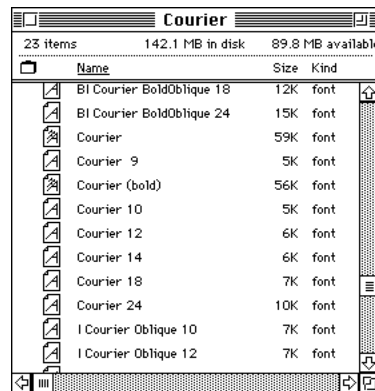
**IMPORTANT** Fonts installed in other folders or in the top level of the System Folder may not work correctly. Additionally, bitmapped and TrueType fonts stored outside of suitcases may not work correctly.

## Suitcases

A font suitcase is a special folder for collections of fonts.



Suitcases provide a convenient way to organize fonts in the same font family. For example, it's a good idea to use a single suitcase (called *Courier*) for all fonts in the Courier font family—all Courier roman fonts as well as fonts with names like Courier Bold and Courier Oblique.



*Combining suitcases:* To merge all the fonts from one suitcase with another, drag one suitcase on top of the other. All the fonts from the dragged suitcase will go into the other, and the dragged suitcase will disappear.

A suitcase can also contain fonts from different font families, although you should keep all fonts of the same family in the same suitcase. All the fonts will still appear in menus with their proper names.

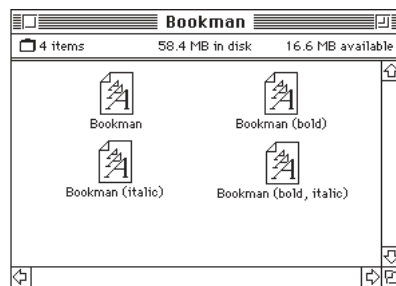
You treat a suitcase as you would a folder. To open a suitcase, you double-click it. To add a font, you drag the font's icon to the suitcase and drop it in. To remove a font, you drag its icon out of the suitcase.

To create a font suitcase, duplicate an existing one and throw away its contents. Then rename the suitcase as appropriate and drag whatever fonts you want into it.

*Size limits for suitcases:* No matter how many fonts you have in a single suitcase, the Fonts folder counts the suitcase as a single unit. There's no limit to the number of fonts in a single suitcase, but the suitcase cannot be larger than 16 megabytes.

## Styled fonts

Most fonts that come with your Color StyleWriter 2200 printer have defined styles. For example, if you open the Bookman font suitcase, you see files for bold and italic versions of the font.



But fonts such as Chicago, Geneva, Monaco, and New York do not come with defined styles. If you open the Chicago font (contained in a suitcase in the Fonts folder, which is inside your System Folder), you see only one file.



You can apply a style to a font like this by making a choice from the appropriate menu (Fonts, Style, Format, or some similar menu, depending on the application program). A font predesigned with a given style nearly always looks better than a font with a computer-generated “derived” style.

*About style names:* Predesigned styled fonts sometimes have names you may not be familiar with. For example, *roman* refers to a font without styling, or plain. *Oblique* is similar to italic. *Light*, *demi*, and *extra* are different states of bold.

## Common questions about fonts

Here are some questions that often come up about fonts.

### **What kind of fonts should I buy?**

Using a font that has both bitmapped and TrueType versions works best. The bitmapped version looks great on the screen and the TrueType fonts print beautifully on the Color StyleWriter 2200.

Avoid bitmapped fonts that don't have TrueType versions because they print with jagged edges on the Color StyleWriter 2200. By contrast, TrueType fonts work well, even if you don't have a bitmapped version.

If you have a PostScript printer or Adobe Type Manager, PostScript fonts look great on paper. The Color StyleWriter 2200 is not a PostScript printer.

People who need professional typographic features such as swash characters and proportional space numerals might also consider using QuickDraw GX and QuickDraw GX TrueType fonts.

### **Why don't all of my fonts appear in the Fonts menu?**

You may not have all of your fonts placed correctly. All the fonts should be installed in the Fonts folder in the System Folder.

Additionally, some application programs let the user decide which fonts should appear in the Fonts menu. Check the manuals that came with your programs.

### **Why can't I see my Monaco 9, Geneva 9 and 12, and Chicago 12 bitmapped fonts?**

These fonts are used by your Macintosh to display information correctly. Because the Macintosh needs these fonts, the Finder makes them invisible to prevent users from removing them.

### What does the term *Apple classic fonts* mean?

The Apple classic fonts are the original ten bitmapped fonts that came with the first Macintosh in 1984. These fonts, which all have city names, include Athens, Cairo (a picture font), Chicago, Geneva, London, Los Angeles, Monaco, New York, San Francisco, and Venice. Several of the fonts (Athens, Cairo, London, and San Francisco) came in only one size—18 points.

**This is a sample of Athens.**



**This is a sample of Chicago.**

*This is a sample of Geneva.*

**This is a sample of London.**

*This is a sample of Los Angeles.*

*This is a sample of Monaco.*

*This is a sample of New York.*

**This is a sample of San Francisco.**

*This is a sample of Venice.*

Chicago, Geneva, Monaco, and New York are currently available in TrueType versions. The other classic fonts are still only available in bitmapped versions.

### Why do I sometimes get Geneva or Courier in my printed documents when I have specified other fonts?

Geneva often appears when you're trying to use a TrueType font but don't have enough memory for scaling to operate properly.

Substitute fonts can also appear in a document composed on one Macintosh that has a particular set of fonts but printed on another Macintosh that doesn't have those fonts.

### Why does a document written entirely in Times look different on different Macintosh computers?

Times, an extremely popular font, is manufactured and sold by more than one company. Such fonts usually have small differences, even though they have the same name. For example, the Times font manufactured by Adobe Systems, Incorporated, has different letterspacing than does the Times font from Apple Computer, Inc.

**What is font substitution?**

Font Substitution, which isn't available for your Color StyleWriter 2200 printer, is an option in the Page Setup dialog box for certain PostScript printers. When font substitution is turned on, these printers will use their built-in equivalents for three bitmapped fonts (Times for New York, Helvetica for Geneva, and Courier for Monaco).

**What's a downloadable font?**

A downloadable font is a TrueType or PostScript font sent to an "intelligent" printer by your system software. (An intelligent printer is one that has a microprocessor built into it.) The printer then uses the font to print your document.

If a printer has sufficient memory, it can hold more than one downloaded font; otherwise, it must request the fonts it needs as necessary. This can be a time-consuming process.

Some printers have hard disks attached to them for holding downloaded fonts. A printer can get the fonts from its hard disk more quickly than it can download them from the computer's hard disk.

Your Color StyleWriter 2200 printer cannot receive downloaded fonts. Instead, your Macintosh composes the entire image and then sends it to your Color StyleWriter 2200 for printing.

## Font list

Between the fonts that come with your Macintosh and those that come with the Color StyleWriter 2200, there are 28 font families (and 64 total styled fonts) available as soon as you install the Color StyleWriter 2200 software.

Name in Font menu	Number of fonts	Font family (and styled fonts)	Comes with
Avant Garde	4	ITC Avant Garde® (plain, italic, bold, and bold-italic)	Color StyleWriter 2200
Bookman	4	ITC Bookman® (plain, italic, bold, and bold-italic)	Color StyleWriter 2200
<b>Chicago</b>	1	Chicago	Macintosh
Courier	4	Courier (plain, italic, bold, and bold-italic)	Macintosh
DELPHIAN	1	Delphian	Color StyleWriter 2200
Garamond Narrow	4	ITC Garamond® Narrow (plain, italic, bold, and bold-italic)	Color StyleWriter 2200
Geneva	1	Geneva	Macintosh
Helvetica	4	Helvetica® (plain, italic, bold, and bold-italic)	Macintosh
<b>Helvetica Black</b>	2	Helvetica Black (plain and italic)	Color StyleWriter 2200
<b>Helvetica Compressed</b>	2	Helvetica Compressed (plain and italic)	Color StyleWriter 2200
Helvetica Narrow	4	Helvetica Narrow (plain, italic, bold, and bold-italic)	Color StyleWriter 2200
Lubalin Graph	4	ITC Lubalin Graph® (plain, italic, bold, and bold-italic)	Color StyleWriter 2200
Lucida Bright	4	Lucida Bright (plain, italic, bold, and bold-italic)	Color StyleWriter 2200
<b>MACHINE</b>	1	ITC Machine®	Color StyleWriter 2200
Monaco	1	Monaco	Macintosh

*continues ►*



Name in Font menu	Number of fonts	Font family (and styled fonts)	Comes with
<i>Nadianne</i>	2	Nadianne (plain and bold)	Color StyleWriter 2200
New Century Schoolbook	4	New Century Schoolbook (plain, italic, bold, and bold-italic)	Color StyleWriter 2200
New York	1	New York	Macintosh
Old English Text	1	Old English Text	Color StyleWriter 2200
Onyx	1	Onyx	Color StyleWriter 2200
Oxford	1	Oxford®	Color StyleWriter 2200
Palatino	4	Palatino® (plain, italic, bold, and bold-italic)	Macintosh
<i>Swing</i>	1	Swing	Color StyleWriter 2200
Σψμβολ (Symbol)	1	Symbol	Macintosh
Times	4	Times® (plain, italic, bold, and bold-italic)	Macintosh
<i>Zapf Chancery</i>	1	ITC Zapf Chancery®	Color StyleWriter 2200
☼☼☼☼ ☼☼☼☼ ☼☼☼☼ (Zapf Dingbats)	1	ITC Zapf Dingbats®	Color StyleWriter 2200
⌘ ⌥ ⌘ ⌥ (Zeal)	1	Zeal	Color StyleWriter 2200
<b>Total</b>	<b>64</b>		





## Appendix C Working With ColorSync

•••••

The Macintosh does a lot of work to make sure that the colors you see on your display closely match the colors you get on your printers, scanners, and other devices. The software that does this work is called ColorSync. Because ColorSync does its work behind the scenes, you don't have to know anything about it. But if you're curious, this appendix explains how ColorSync works and how you can benefit from using it.

### The problem that ColorSync solves

Providing consistent color with desktop computers is a technical challenge. Reproducing colors consistently from device to device is difficult because colored light on your monitor is very different from printed ink. Different color devices use different methods for representing color information and produce different ranges of colors.

Monitors (and most scanners) produce colors by mixing red, green, and blue light—called RGB color. Most printers produce colors by mixing cyan (a shade of blue), magenta (a bright pink), yellow, and black ink—called CMYK color. Since monitors and printers have different color capabilities, they cannot reproduce each other's colors exactly.

In addition, no two monitors or printers produce exactly the same colors. (You can see an example of the differences among monitors at a consumer electronics store, in the section that sells television sets.)

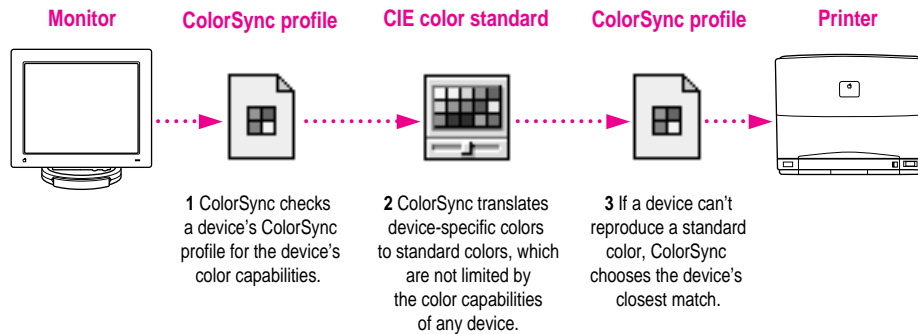
## About ColorSync

ColorSync is a system extension that provides color-conversion capabilities and improves color consistency. ColorSync “translates” the colors used on one device so that they match the colors displayed or printed on another device.

ColorSync color conversion is a central part of Macintosh computing, ensuring that application programs, monitors, printers, scanners, and digital cameras use the same scheme for color conversion. This means you can scan an image, display it on your monitor, and print it—with visually matching colors every step of the way.

## How ColorSync works

ColorSync does not convert colors directly from one device to another. Instead, ColorSync takes information about each device’s color capabilities and compares it to an independent color standard. In this way, it converts the colors produced on one device to closely matching colors that can be reproduced on another device.



ColorSync defines the colors a monitor, printer, scanner, or digital camera can reproduce in a ColorSync profile. ColorSync profiles are compatible with the profile specifications of the International Color Consortium (ICC).

Next, ColorSync converts device-specific colors into standard colors. The CIE color standard describes colors in terms of how they are perceived by the human eye under standardized lighting conditions. (CIE stands for the Commission International de l’Eclairage, the International Commission on Illumination, which founded the standard in 1931.)

To maintain consistency, ColorSync previews a device’s color capabilities (in the ColorSync profile) and—where necessary—converts standard colors to closely matching colors that the device can reproduce. For example, your monitor may be able to display a vivid red, but your printer inks may not be able to produce that color. ColorSync determines the “next best” color for your printer to use.

## Using ColorSync

The ColorSync profile for a device is automatically installed as part of the device’s software. To get the best visual color matching on your system, make sure the following display settings are selected:

- For the best color match when printing, select the “page-white” or “D50” system profile for your type of display in the ColorSync control panel.
- For the best visual match between the colors on your display and printed colors, select the Page-White Gamma option in the Monitors control panel. To select a gamma option, open the Monitors control panel, then hold down the Option key while you click the Options button. In the Options window, click the Use Special Gamma checkbox to put an X in it. Then choose Page-White Gamma from the menu.
- On a multi-scan display, make sure that the color temperature, or intensity, is set to 9300K (the default setting). See the display manual for instructions. If the Page-White Gamma option is selected with a color temperature other than 9300K, your monitor colors could look too red or too blue compared to printed colors.

Some color devices allow you to set additional color options that affect the way ColorSync converts colors. See the device manual for more information about using ColorSync with the device.



## **Appendix D Printing With QuickDraw GX**

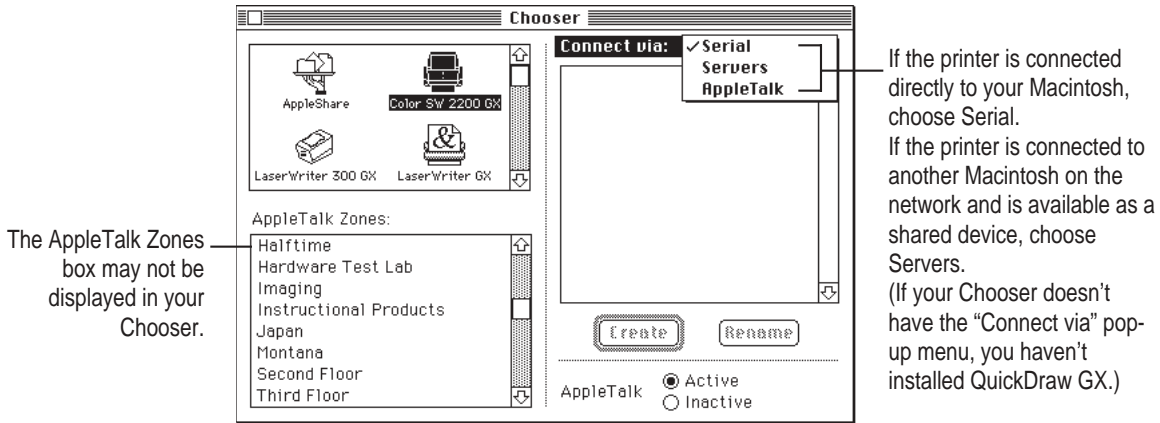


If you installed QuickDraw GX software along with system software version 7.5, your Macintosh computer has some new printing capabilities. This appendix explains how to use your Color StyleWriter 2200 printer with QuickDraw GX.

## Telling your computer to use the Color StyleWriter 2200 with QuickDraw GX

Make sure the printer and your computer are connected and turned on.

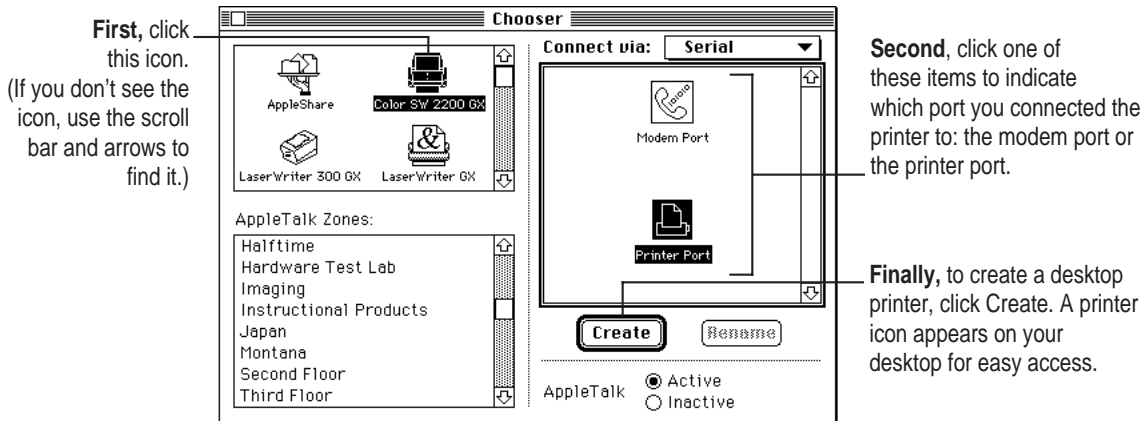
- 1 Select the Chooser from the Apple () menu.
- 2 In the Chooser dialog box, use the “Connect via” pop-up menu to choose the appropriate type of connection.



*Note:* If QuickDraw GX is installed on your Macintosh, background printing is always on and cannot be turned off.

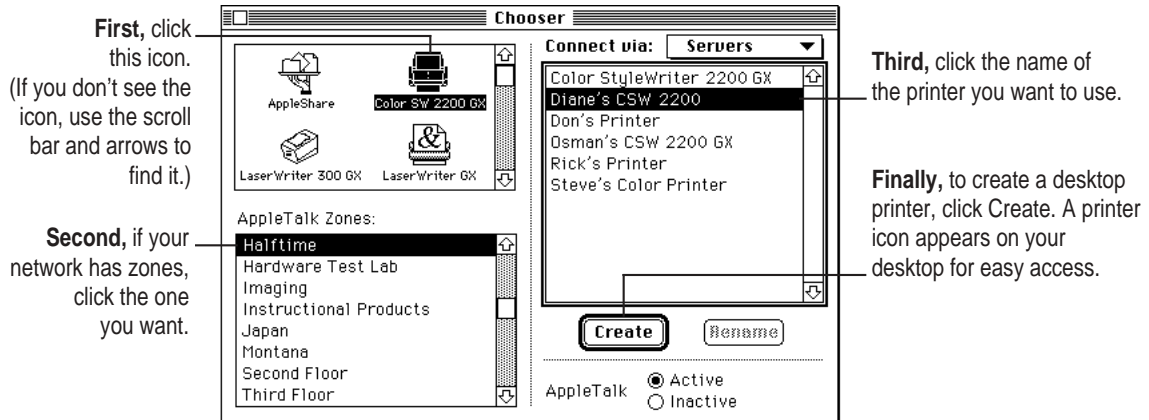
- 3 In the Chooser dialog box, click items to select them.

Some Chooser features change, depending on the selection you made in step 2. If you chose Serial in step 2, the Chooser looks like this:



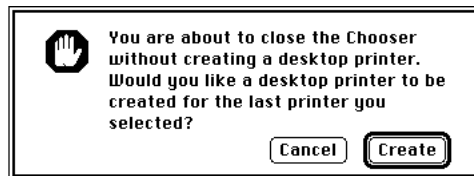
If no port is available and your computer is a PowerBook, see “Special Information for PowerBook Owners” in the section “Telling Your Computer to Use the Color StyleWriter 2200” in Chapter 1.

If you chose Servers, the Chooser looks like this:



**4 Close the Chooser dialog box.**

If you close the Chooser without creating at least one desktop printer, this message appears.



To use a printer for which you have no desktop icon, you must select the printer in the Chooser and click Create. If you select the printer but don't click Create, the Chooser ignores the selection.

## Defining the page setup

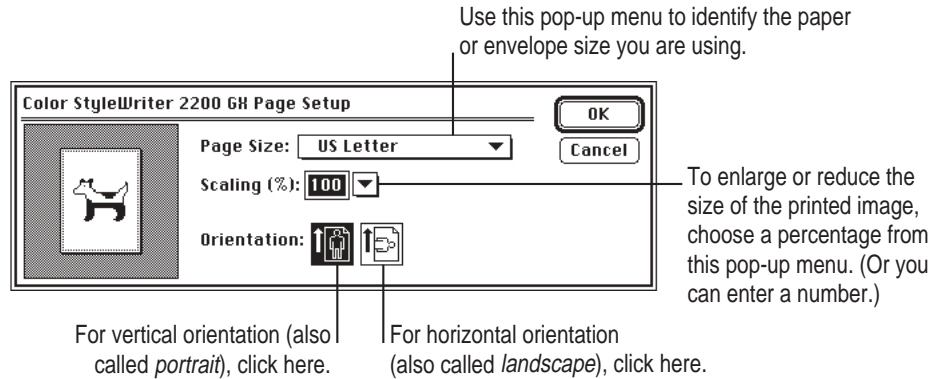
Most Macintosh programs have a Page Setup command in the File menu. You can use this command to set a variety of options. The most common options are already selected for you, but you can change them if you want to.

### 1 Choose Page Setup from the File menu.

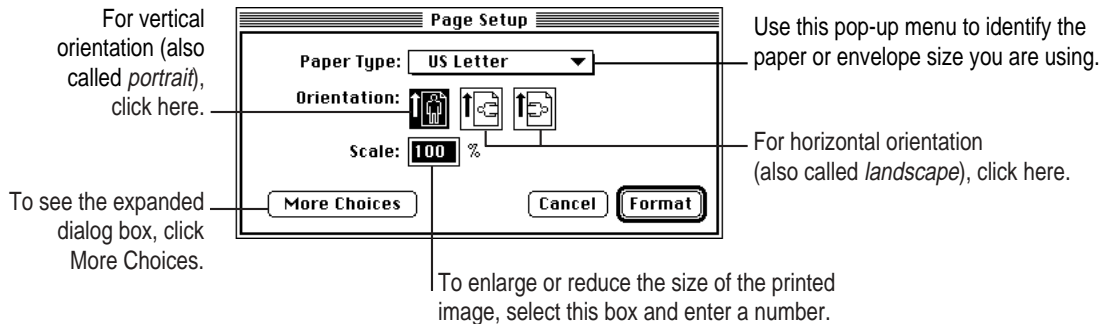
The Page Setup dialog box appears, as shown in the next step. The dialog box you see may not exactly match any of the illustrations in step 2, but it works basically the same way.

### 2 In the dialog box, make the selections you want.

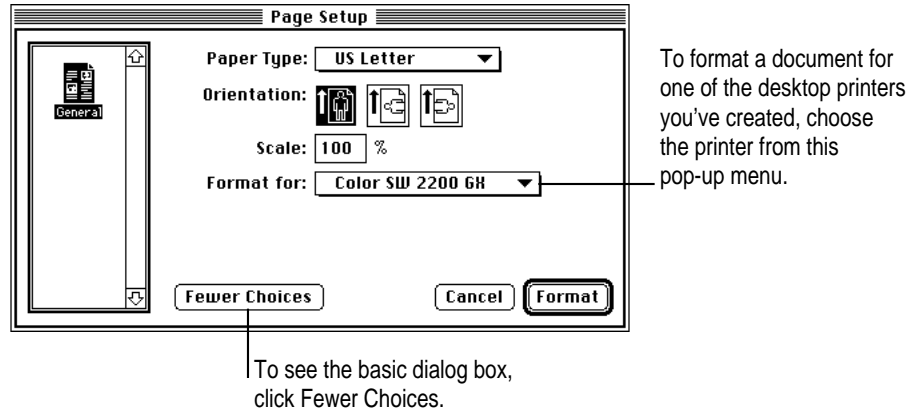
If you're using a program that doesn't take full advantage of QuickDraw GX (is not "GX-savvy"), a dialog box similar to the one below appears.



If you're using a GX-savvy program, there are two versions of the Page Setup dialog box. This is the basic version:



In the expanded dialog box you can select a specific printer.



- 3** When you've made your choices, click **Format** (or **OK** in a program that's not **GX-savvy**).

Your document is now set up for printing.

## Printing a document

To print a document, follow these steps:

- 1** Open the document you want to print, or select its icon in the Macintosh Finder.
- 2** Choose **Print** from the **File** menu.

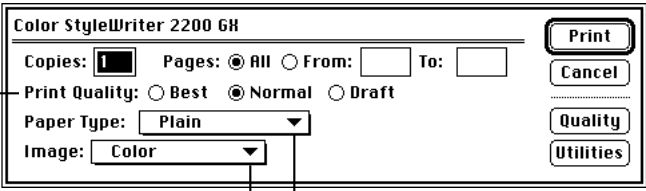
A dialog box appears, displaying a number of printing options. The dialog box you see may not exactly match any of the illustrations in step 3, but it works basically the same way. The most common choices are already set for you.



**3 Set any options you like.**

If you're working in a program that doesn't take full advantage of QuickDraw GX (is not "GX-savvy"), a Print dialog box similar to the one below appears.

Click Best for highest quality, Normal for typical use, or Draft for lower ink consumption. For plain and coated paper, you can use any of these three choices; for other materials, you must use Best quality.



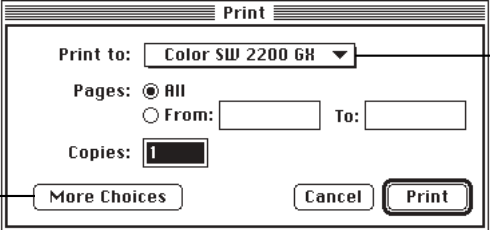
Choose Color, Grayscale, or Black & White from this pop-up menu.

Use this pop-up menu to identify the type of material you've loaded into the printer. (For labels and envelopes, choose Plain.)

Click Best for highest quality, Normal for typical use, or Draft for lower ink consumption. For plain and coated paper, you can use any of these three choices; for other materials, you must use Best quality.

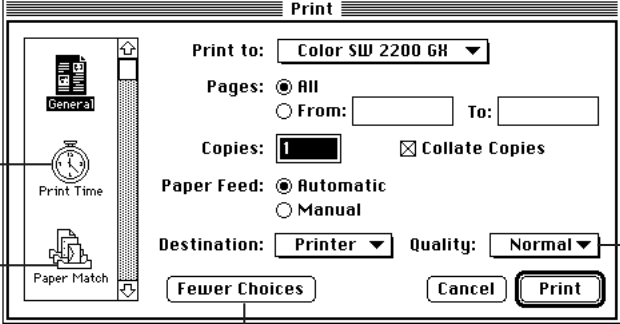
If you are using a GX-savvy program, there are two versions of the Print dialog box. This is the basic version:

To see the expanded dialog box, click More Choices.



To identify the desktop printer you want, use this pop-up menu.

In the expanded dialog box you can make additional choices.



The screenshot shows the 'Print' dialog box with the following settings: 'Print to: Color SW 2200 6H', 'Pages: All', 'Copies: 1' with 'Collate Copies' checked, 'Paper Feed: Automatic', 'Destination: Printer', and 'Quality: Normal'. The dialog has a sidebar with 'General', 'Print Time', and 'Paper Match' icons. At the bottom are 'Fewer Choices', 'Cancel', and 'Print' buttons.

To display a dialog box that lets you schedule print jobs, click this icon.

The paper-matching feature is useful for printers that have multiple paper trays.

To see the basic dialog box, click Fewer Choices.

Use the Quality pop-up menu to choose Best for highest quality, Normal for typical use, or Draft for lower ink consumption.

*Note:* If the printer is printing on back-print film, glossy paper, or transparencies, choose Best.

**4** When you are satisfied with the settings, click **Print**.

If the printer is off, press the power button to turn the printer on.

## Adjusting quality options

To adjust the way colors are printed, follow these steps:

- 1** Choose **Print** from the **File** menu.
- 2** Make sure the expanded dialog box appears.

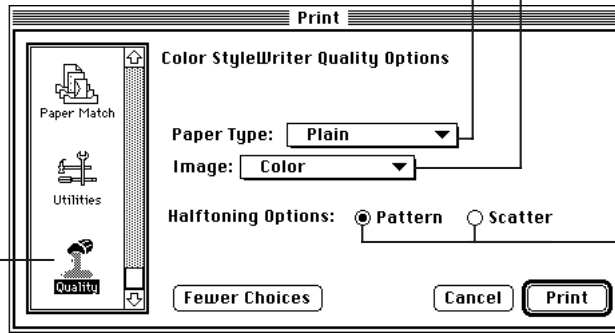
If necessary, click **More Choices**.

**3 In the expanded dialog box, click the Quality icon and set any options you like.**

Use this pop-up menu to identify the type of material you've loaded into the printer. (For labels and envelopes, choose Plain.)

Choose Color, Grayscale, or Black & White from this pop-up menu.

To see the quality options, click this icon. (If you don't see the icon, use the scroll bar and arrows to find it.)



The printer blends the four ink colors in either a random scattering of dots or a repeating pattern of dots. Choose the method you prefer.

**4 When you are satisfied with the settings, click Print.**

If the printer is off, press the power button to turn the printer on.

If you are still not happy with the quality, try using the regular (non-GX) QuickDraw printing software and see which results you prefer. See “If You Choose Not to Use QuickDraw GX Printing” at the end of this appendix.

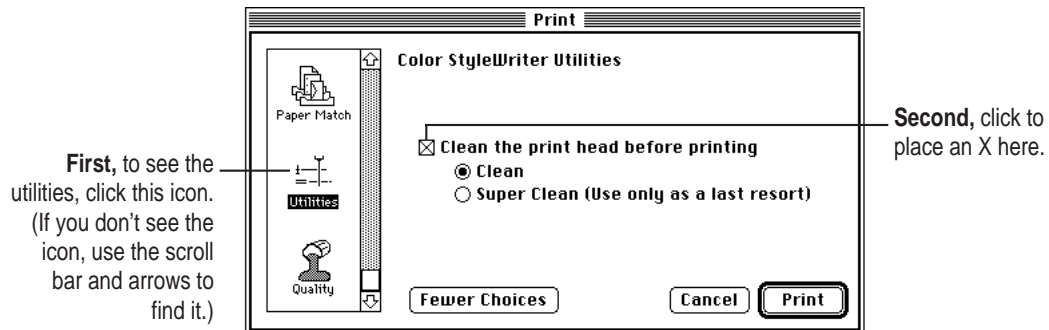
*Note:* Open the ColorSync control panel and make sure the system profile is correct for your monitor. If it's not, choose Set System Profile from the pop-up menu and select the correct profile.



## Cleaning the print head

To clean the print head, follow these steps (or print a test page as explained in “Printing a Test Page” in the section “Cleaning the Print Head” in Chapter 5):

- 1 When you are about to print a document, click Utilities in the expanded Print dialog box.



- 2 When you are satisfied with the settings, click Print.

If the printer is off, press the power button to turn the printer on.

*Note:* After the printer cleans the print head and prints your document, the cleaning option is automatically turned off. You don't have to turn it off before printing again.

## A printing shortcut

If you have one or more desktop printer icons on your desktop, you can print a document by dragging its icon to the desktop printer.

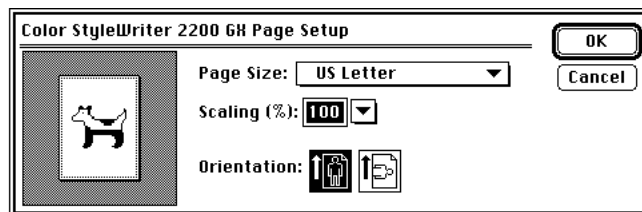
For instructions on creating a desktop printer, see “Telling Your Computer to Use the Color StyleWriter 2200 with QuickDraw GX” at the beginning of this appendix.

## If you choose not to use QuickDraw GX printing

If you're unhappy with the quality of printing on your Color StyleWriter 2200 or if you're unable to print using QuickDraw GX, try turning off the QuickDraw GX printing software and using the regular QuickDraw printing software instead. You can decide which you prefer.

### 1 Open a program that's not GX-savvy.

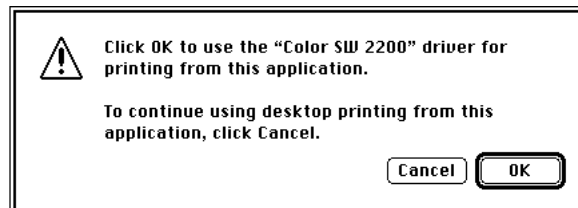
If you're not sure whether the program is GX-savvy, choose Page Setup from the File menu. If the dialog box that appears looks like the one below, the program is not able to take full advantage of QuickDraw GX.



The GX-savvy version of the Page Setup dialog box contains additional features.

### 2 Choose Turn Desktop Printing Off from the Apple () menu.

A message appears:



*Note:* If the message doesn't mention the Color StyleWriter 2200 driver, someone may have removed it from your Macintosh. Use the Custom Install option in the Installer to install the driver. (See "Using the Custom Installer to Solve Installation Problems" in the section "Installation Is Unsuccessful" in Chapter 6.)

### 3 Click OK.

Now your Color StyleWriter 2200 will use the regular QuickDraw printing software. If you want to go back to using the QuickDraw GX printing software, repeat this process, but in step 2 choose Turn Desktop Printing On.

## Appendix E Removing the Desktop Printing Software



The printing software that is installed in Chapter 1 requires that you have at least one printer icon on your desktop. If you don't want to have any desktop printer icons, you must install special software, as shown in these steps:

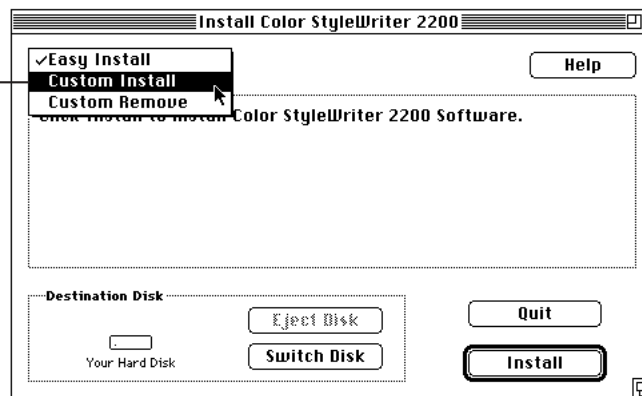
**Before you begin** Find the disks that came with the Color StyleWriter 2200.

- 1 **Insert the StyleWriter 2200 *Installation* disk into a floppy disk drive.**

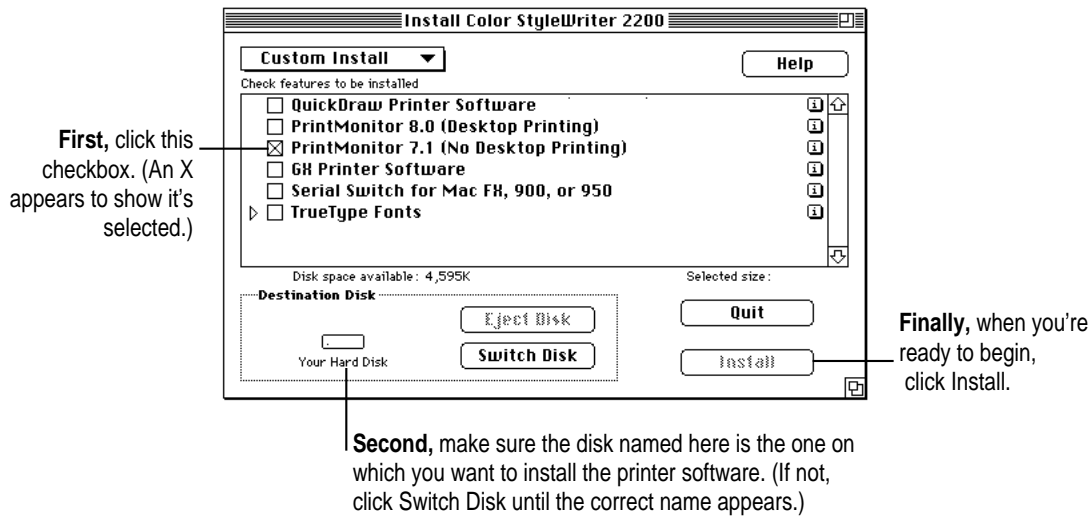
If necessary, open the disk icon.

- 2 **To start the Installer program, double-click its icon.**
- 3 **In the Welcome dialog box that appears, click Continue.**
- 4 **In the Installer dialog box, choose Custom Install.**

Choose Custom Install from this pop-up menu.



- 5 In the Custom Install dialog box, click the PrintMonitor 7.1 checkbox.



- 6 When you see a message on your screen, follow the directions and insert the next disk.

The Installer ejects disks and asks you to insert others. Keep following the instructions on the screen until the installation is complete.

- 7 When you see a message reporting that installation was successful, click Restart.

The Installer restarts your Macintosh. When the computer restarts, the desktop printer icons appear with an X on them.

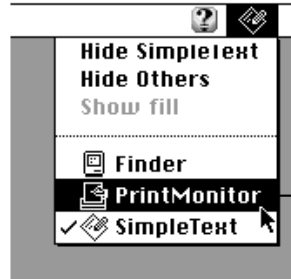
- 8 After the computer restarts, drag your old desktop printer icons to the Trash.

- 9 Read the next section to learn how to use the new software.

## Monitoring and controlling print requests without desktop printers

If you don't have desktop printers, you must use the PrintMonitor program to monitor and control background printing.

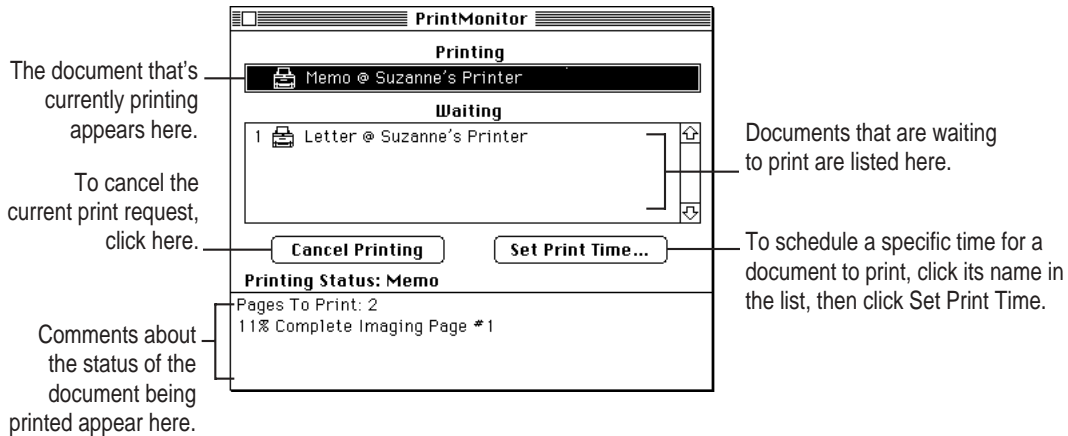
- 1 While your document is printing, choose PrintMonitor from the Application menu at the far right of the menu bar.



PrintMonitor is available only when background printing is on.

If you turn off background printing, messages on your screen keep you informed of printing status.

- 2 In the PrintMonitor dialog box, review the status of documents that are printing (and make any changes you want).



- 3 When you finish, click the close box.





## Index

•••••

### A

AC power adapter. *See* power adapter  
Adobe Type Manager (ATM) 100  
    in font search order 103  
    multiple font versions and 102  
alias, for desktop printer icon 40  
amber (error) light 5  
    problems indicated by 81–82  
Apple classic fonts 108  
Apple (🍏) menu, Chooser 19.  
    *See also* Chooser  
Apple System/Peripheral-8 cable 3  
    connecting to Macintosh with 13  
AppleTalk network  
    setup considerations 1  
    sharing printer on 44–47  
application programs  
    color printing and 34  
    printing problems with 85  
Athens font 108  
Australia, power specifications 95  
Automatic color matching method 33  
Avant Garde font 110

### B

background printing 27, 30  
    not enough memory for 86  
    monitoring and controlling 42–43  
    on shared printer 44  
    turning on or off 41  
back-print film  
    when to use 62  
    tips for printing on 26, 62  
backwards printing, troubleshooting 90  
battery  
    charging 54–56  
    discharging 55–56  
    disposing of 58  
    inserting 52  
    printing with 59  
    replacing 56–57  
    safety warnings 52, 56, 57  
    specifications 96  
    tips for using 60  
battery attachment x, 49–60  
    connecting 49–53  
    specifications 94–95  
battery switch 59

- bitmapped fonts 97, 99
  - defined 99
  - icon 99
  - recommendations for 107
  - using with TrueType fonts 101–102
- black ink cartridge
  - nozzle test pattern 16
  - quality options and 63
  - reasons for choosing 23, 92
  - replacing 67–68
  - replacing ink tank on 65–67
  - specifications 95
  - storing 68–69
- bold font styles 106, 107
- Bookman font 110
- borders around mini pages, indicating 29

## C

- cables
  - Apple System/Peripheral-8 3, 13
  - printer problems and 87
- Cairo font 108
- cartridge access door 5, 9
- charging the battery 54–56
- Chicago font 110
- Chicago 12 bitmapped font 107
- Chooser (Apple menu) 19
  - selecting printer in 19, 39
  - selecting QuickDraw GX in 117–119
  - selecting shared printer in 46–47
  - setting up printer sharing in 44–47
  - turning background printing on in 41
- Chooser dialog box 19, 45
- CIE color standard 114, 115
- cleaning the printer 2, 71, 72
- cleaning the print head 69–71, 125
- coated paper
  - when to use 62
  - tips for printing on 26, 62

- color ink cartridge
  - nozzle test pattern 15
  - reasons for choosing 23
  - replacing 67–68
  - replacing ink tanks on 65–67
  - specifications 95
  - storing 68–69
- color matching, ColorSync option for x, 32, 33, 113–115
- color printing
  - adjusting options for 32–33
  - application programs and 34
  - memory requirements for 87
  - time required for 34
- ColorShare feature x, 44–47
- Color StyleWriter 2200 *Installation* disk 16
- Color SW 2200 icon 18, 19
  - not shown in Chooser 76
- Color SW 2200 Log file 45
- Color SW 2200—Troubleshooting file, printing test document in 21–22
- ColorSync feature x, 32, 33
  - matching method used by 114–115
  - problem solved by 113
  - using 115
- ColorSync control panel 115
- columns, problems printing 89
- computer, connecting printer to 13
- computer crashes while printing 79
- connecting printer to Macintosh 13
- “Connect via” pop-up menu 118
- cost control, printing tips for 64
- Courier font 108, 110

## D

- default printer
    - changing 38–39
    - determining 40
  - Delphian font 110
  - demi font style 107
  - density options, for watermark 36
  - desktop printer icons 18, 19
    - creating, manipulating, and throwing away 40
    - determining printer status with 40
    - removing 127–128
    - selecting printer with 39, 122
    - troubleshooting 80–81
  - desktop printing 27, 31, 121–123
    - removing software for 126
  - Disabled printer icon 40
  - discharging the battery 55–56
  - DOC statement viii
  - document icon, dragging to desktop printer icon 31
  - documents, printing 27–31
    - from desktop 27, 31
    - non-standard 28–30
    - problems in 85
    - standard 27
  - downloadable fonts 109
- ## E
- energy-saving tips 7
  - enlarging the printed image 29, 34
  - envelopes
    - feeding improperly 84–85
    - maximum size and number of 26
    - positioning in sheet feeder 25
    - printing on 25, 26
  - environmental considerations 95
  - error light 5
    - problems indicated by 81–82
  - error messages 86–87
  - Error printer icon 40
  - Europe, power specifications for 95
  - Express Modem (PowerBook computer), printer installation and 20
  - extra bold font style 107

## F

- FCC statement vii
- features of Color StyleWriter 2200 ix–x
- File menu. *See also specific commands*
  - Page Setup command 21, 24, 25, 28, 34, 35
  - Print command 21–22, 27, 30, 32
- film, back-print. *See* back-print film
- fixed-size fonts. *See* bitmapped fonts
- font icons 98, 99, 100
- fonts 97–111
  - Apple classic 108
  - common questions 107–109
  - defined 97
  - downloadable 109
  - installation problems and 76–79
  - list of available 110–111
  - printing problems and 88
  - QuickDraw GX 100
  - search order for 103
  - storage location 104–106
  - styles of 106–107
  - types of 97–100. *See also specific types*
  - using different types together 101–102
  - viewing examples of 98–99
- Fonts folder 104
  - installation problems and 76–77
- Fonts menu 107
- font substitution 109
- font suitcases 105–106

## G

- Garamond Narrow font 110
- Geneva font 110
  - memory requirements and 108
  - text printed in 88
- Geneva 9 bitmapped font 107
- glossy paper
  - when to use 62
  - tips for printing on 26, 62, 90
- green (power) light 5
  - problems indicated by 81–82

## H

- halftoning options 32, 38
- hard disk space requirements xi
- hardware options (printer) 96
- hardware requirements (computer) xi, 13, 18
  - printer speed and 82
- hardware specifications (printer) 93–96
- Helvetica fonts 110
- horizontal (landscape) orientation, choosing 120

## I

- ICC (International Color Consortium) 114
- icons
  - desktop printer 18, 19. *See also* desktop printer icons
  - determining printer status with 40
  - font 98, 99, 100
  - Installer 17
  - modem port 13
  - printer/modem port (PowerBook computers) 20
  - printer port 13
- ink cartridges 3
  - buying 68
  - choosing 23
  - cleaning print heads on 69–71
  - disconnecting the printer and 7
  - installing 8–12
  - replacing 67–68
  - replacing ink tanks on 65–67
  - storing 68–69
  - troubleshooting 86, 91, 92
- ink cartridge storage case 3, 68–69
- ink tanks
  - extending life of 92
  - replacing 65–67
  - specifications 95
- Install dialog box 17
- Installer icon 17

- Installer program, troubleshooting 18.
  - See also* installing printer software
- installing an ink cartridge 8–12
- installing printer software 16–18
  - custom installation 18
  - for removing desktop printer icons 127–128
  - troubleshooting 18, 76–79
  - without fonts 78–79
- International Color Consortium (ICC) 114
- italic font styles 106

## J

- jagged print quality 88, 98
- Japan, power specifications for 95

## K

- Key Caps desk accessory, for viewing fonts 99

## L

- labels, printing on 26
- landscape (horizontal) orientation, choosing 120
- LaserWriter icon (Ⓛ) 18
- layout
  - indicating 29
  - printer options and 24
- Layout pop-up menu, for mini pages 35
- light font style 107
- lines, maximum length of 96
- loading paper into sheet feeder 14
- location for printer 4
- logging printer usage 45
- London font 108
- Los Angeles font 108
- Lubalin Graph font 110
- Lucida Bright font 110

## M

Machine font 110  
Macintosh computer  
    connecting printer to 13  
    printer not recognized by 79–80  
maintenance 65–73  
    cleaning inside printer 72  
    cleaning printer case 71  
    cleaning print head 69–71  
    replacing ink cartridges 67–68  
    replacing ink tanks 65–67  
    storing ink cartridges 68–69  
    travel tips 73  
margins, minimum 96  
Matching Method pop-up menu 33  
Memory control panel, virtual memory  
    option 88  
memory requirements xi, 17  
    font problems and 108  
    printing problems and 85, 86,  
        87–88, 98  
mini pages, printing 34–35  
modem port (☞)  
    in Chooser dialog box 19  
    connecting printer to 13  
    on PowerBook computer 20  
Monaco font 108, 110  
Monaco 9 bitmapped font 107  
Monitors control panel, ColorSync  
    options 115  
moving a printer icon 40

## N

Nadianne font 110  
network  
    computer/printer connection when  
        using 13  
    features x  
    printing on. *See* shared printer  
    printing problems on 80  
    setup considerations 1  
New Century Schoolbook font 110  
New York font 108, 111  
nozzle check, paper size required for 14  
nozzle test pattern 15–16, 70–71

## O

oblique font style 107  
Old English Text font 111  
Onyx font 111  
operating environment 95  
options, hardware (printer) 96  
orientation, indicating 29  
Oxford font 111

## P

page breaks  
    changing unexpectedly 89  
    page size and 29  
page layout  
    indicating 29  
    printer options and 24  
page orientation, indicating 29  
Page Setup command (File menu)  
    for mini pages 34  
    for paper size selection 21, 25  
    in QuickDraw GX 120–121  
    for scaling options 34  
    selecting options in 24  
    for special effects 34, 35  
    for watermark 35–36  
Page Setup dialog box 25, 28  
    for QuickDraw GX 120–121  
Page-White Gamma option (Monitors  
    control panel) 115  
Palatino font 111  
paper  
    indicating size of 21, 29  
    jams 82–83  
    loading into sheet feeder 14, 25  
    maximum sheets allowed 26  
    positioning in sheet feeder 14, 25  
    size specifications 26, 94  
    tips on choosing 61–63, 90  
    troubleshooting 82–85, 87, 90, 91, 92  
    types of 26, 94

- paper guide 5
- paper jams 82–83
- paper release panel 5, 83
- PICT/PICT2 format files
  - printing problems and 88
  - for watermarks 36–37
- pictures not printed 88
- pixels, bitmapped fonts stored as 98
- plain paper 26, 61, 90
- Plain printer icon 40
- plugging in the printer 6
- portrait (vertical) orientation,
  - choosing 120
- PostScript font icon 100
- PostScript fonts 97, 100
  - defined 100
  - downloadable 109
  - recommendations for 107
  - using with TrueType fonts 102
- power adapter 3
  - battery power and 59
  - connecting 6
  - for foreign travel x, 73
  - specifications 95, 96
- power adapter connector 5
- PowerBook computer
  - connecting to printer 13
  - printing problems with 80, 81
  - selecting the printer on a 20
- power button 5, 7
- power consumption 96
- power cord, safety concerns 2
- power light 5
  - problems indicated by 81, 82
- power supply specifications 95
- Print command (File menu) 21–22
  - for color options 32
  - for custom printing 30
  - for halftoning 38
  - for quick printing 27
- Print dialog box 29–30
  - choosing paper type in 25, 30
  - choosing print quality in 63, 123
  - for QuickDraw GX 120–121, 122
  - Utilities option 70
- printer. *See also* desktop printing; printer software; printing; setting up
  - connecting to computer 13
  - plugging in 6
  - maintenance considerations 65–73
  - resetting 80
  - selecting in chooser 19, 39
  - specifications 93–96
  - switching between printers 38–39, 43
  - turning on and off 7
- printer cable 3, 13
  - printer problems and 87
- printer icons 18, 19
  - creating, manipulating, and throwing away 40
  - determining printer status by 40
  - removing 127–128
  - selecting printer from 39, 122
  - troubleshooting 80–81
- printer/modem icon (🖨️) 20
- printer port, on PowerBook computer 20
- printer port icon (🖨️) 13
  - in Chooser dialog box 19
- Printer Profile pop-up menu 33
- printers, switching between 38–39, 43
- printer software
  - features ix, x
  - installing 16–18
  - other printers and x
  - problems installing 76–79
  - problems using 80
  - removing desktop printing software 127–129
  - system software requirements xi
  - turning off QuickDraw GX 126
  - using QuickDraw GX 117–124
  - working with ColorSync 113–116
- printer usage log 45
- print head
  - cleaning 69–71, 124
  - ink tank and 92
  - paper type and 91

- printing 23–47. *See also* print requests
  - adjusting color options 32–33
  - in background 27, 30, 41–43
  - on back-print film 26, 62
  - by battery power 59
  - choosing ink cartridge 23
  - on coated paper 26, 62
  - cost considerations 64
  - from desktop 27, 31, 121–123
  - documents 27–31
  - on glossy paper 26, 62
  - halftoning options 38
  - mini pages 34–35
  - on network. *See* shared printer
  - paper and envelope options 26, 61–63
  - on plain paper 61
  - planning page layout for 24
  - positioning paper or envelopes in sheet feeder 25
  - problems with. *See* troubleshooting
  - quality considerations 63
  - QuickDraw GX for 117–126
  - selecting printer in Chooser 19, 39
  - special effects 34–38
  - speed considerations 64
  - speed specifications 93
  - standard documents 27
  - stopping 43
  - test document 21–22
  - test page 70–71
  - time required for 34
  - on transparencies 63
  - watermarks 35–37
- Printing icon 40
- Printing menu, Set Default Printer command 39
- Printing Prefs folder
  - for custom watermark file 37
  - printer usage log in 45
- PrintMonitor application program
  - upgrades x
  - using 129

- print nozzles
  - cleaning 69–71
  - nozzle test patterns 15–16
- print requests
  - cleaning print head as part of 69–70
  - deleting 42
  - determining or changing order of 43
  - moving to another printer 43
  - PrintMonitor program and 129
- purge button 5
  - using to clean print head 69
  - using when installing a cartridge 12

## Q

- quality printing tips 63
- QuickDraw GX
  - adjusting quality options in 123
  - cleaning print head in 125
  - selecting printer when using 117–119
  - fonts 100, 107
  - installing 16
  - page setup in 120–121
  - printing with 121–122
  - setup considerations 1
  - shared printer and 44
  - turning off 126

## R

- radio interference vii
- random-access memory (RAM)
  - printing problems and 85, 86, 87–88
  - requirements for xi, 17
- reducing the printed image 29, 34
- renaming a printer icon 40
- resetting the printer 80
- resolution 93
  - bitmapped fonts and 99
- reversed-image printing, as error 90
- roman font style 107

## S

- safety instructions 2
  - battery attachment 52, 56, 57
  - for traveling 73
  - troubleshooting caution 76
- San Francisco font 108
- scaling
  - bitmapped fonts and 99, 102
  - indicating 29, 34
  - PostScript fonts and 100
  - TrueType fonts and 98
  - for watermark 36
- screen fonts. *See* bitmapped fonts
- security slot 5
- serial (RS-422) interface x, 93
- serial port 5
  - on PowerBook computer 20
- Set Default Printer command (Printer menu) 39
- setting up 1–22
  - battery attachment 49–53
  - checking print nozzles 15–16
  - choosing a location 4
  - connecting printer to Macintosh 13
  - installation problems 76–79
  - installing printer software 16–18
  - loading paper into sheet feeder 14, 25
  - network considerations 1
  - parts of printer 5
  - plugging in the printer 6
  - printing test document 21–22
  - for QuickDraw GX users 1
  - safety instructions 2
  - selecting printer in Chooser 19
  - turning the printer on and off 7
  - unpacking the printer 3–4
  - with PowerBook computer 20
- shared printer 44–47
  - print request window and 42
  - troubleshooting 80, 88
- Sharing Setup dialog box 45
- sheet feeder
  - capacity of 93
  - loading paper in 14
  - positioning paper or envelopes in 25
  - top cover as 8
- software. *See* application programs; printer software; system software
- sorting print requests 43
- special effects 34–38
  - choosing 29
  - enlargement or reduction 34
  - halftoning 38
  - printing mini pages 34–35
  - watermarks 35–37
- specifications 93–95
- speed
  - bitmapped fonts and 102
  - specifications 93
  - suggestions for 64
  - troubleshooting 82
- Stopped printer icon 40
- stopping printing 43
- storage environment 95
- storing ink cartridges 68–69
- styled fonts 106–107
- suitcases (fonts) 105–106
- Swing font 111
- Symbol font 111
- System Folder, Fonts folder in 104
- System/Peripheral-8 cable 3
- system requirements xi, 17
- system software
  - Adobe Type Manager and 100
  - requirements for xi, 17



## T

- technical information 93–96
- television interference vii
- test page, for cleaning print head 70–71
- Times font 109, 111
- transparencies
  - tips for printing on 26, 63
  - when to use 63
- Trash, dragging desktop printer icon to 40
- travel tips 73
  - power requirements 95
- troubleshooting 75–92
  - battery too low 59
  - blank pages 86
  - blurred images 91
  - Color SW 2200 icon not in Chooser 76
  - columns not lining up 89
  - computer crashes while printing 79
  - desktop printer icons 80–81
  - document won't print 85
  - envelope problems 84–85
  - error light 81–82
  - error messages 86–87
  - font problems 76–79, 88, 98
  - ink cartridges 86
  - ink missing or faded 66
  - Installer program 18
  - installing printer software 18, 76–79
  - Macintosh doesn't recognize printer 79–80
  - memory problems 85, 86, 87–88, 98
  - page break problems 89
  - paper problems 82–85, 87, 90
  - partially blank pages 91
  - pictures not printing 88
  - poor-quality printing 90–92
  - power light 81, 82
  - printer too slow 82
  - printing backwards 90
  - printing off center 89
  - printing with PowerBook 80, 81
  - printing too light or dark 91
  - print nozzles 15–16

- smearing or smudging 91
- stains on pages 92
- warranty considerations 75
- watermarks 90
  - wavy or distorted images 92
- Troubleshooting file, printing test document in 21–22
- TrueType font icon 98
- TrueType fonts 97, 98–99
  - recommendations for 107
  - using with bitmapped fonts 101–102
  - using with PostScript fonts 102
- turning the printer on and off 7

## U

- United States, power specifications for 95
- universal power adapter x, 73
- unpacking the printer 3–4
- Utilities dialog box, for cleaning print head 70

## V

- VCCI statement viii
- Venice font 108
- vertical (portrait) orientation, choosing 119
- virtual memory 88

## W

- warranty considerations 75
  - ink tank replacement 65
- watermark
  - creating your own 36–37
  - problems with 90
  - specifying 29, 35–36

## Z

- Zapf Chancery font 111
- Zapf Dingbats font 111
- Zeal font 111

### **The Apple Publishing System**

This Apple manual was written, edited, and produced on a desktop publishing system using Apple Macintosh computers and QuarkXPress. Technical illustrations were drawn in Adobe Illustrator; screen shots were created and modified with system software, ExposurePro, Aldus SuperPaint, and Adobe Photoshop. Proof pages were created on Apple LaserWriter printers and on QMS and Tektronix color printers. Final pages were output directly to separated film on a PostScript-driven imagesetter.

Text type is Times®, display type is Helvetica® Narrow, and cover type is Apple Garamond, Apple's corporate font. Ornaments are custom symbols designed for Apple Computer.

PostScript, the LaserWriter page-description language, was developed by Adobe Systems Incorporated.