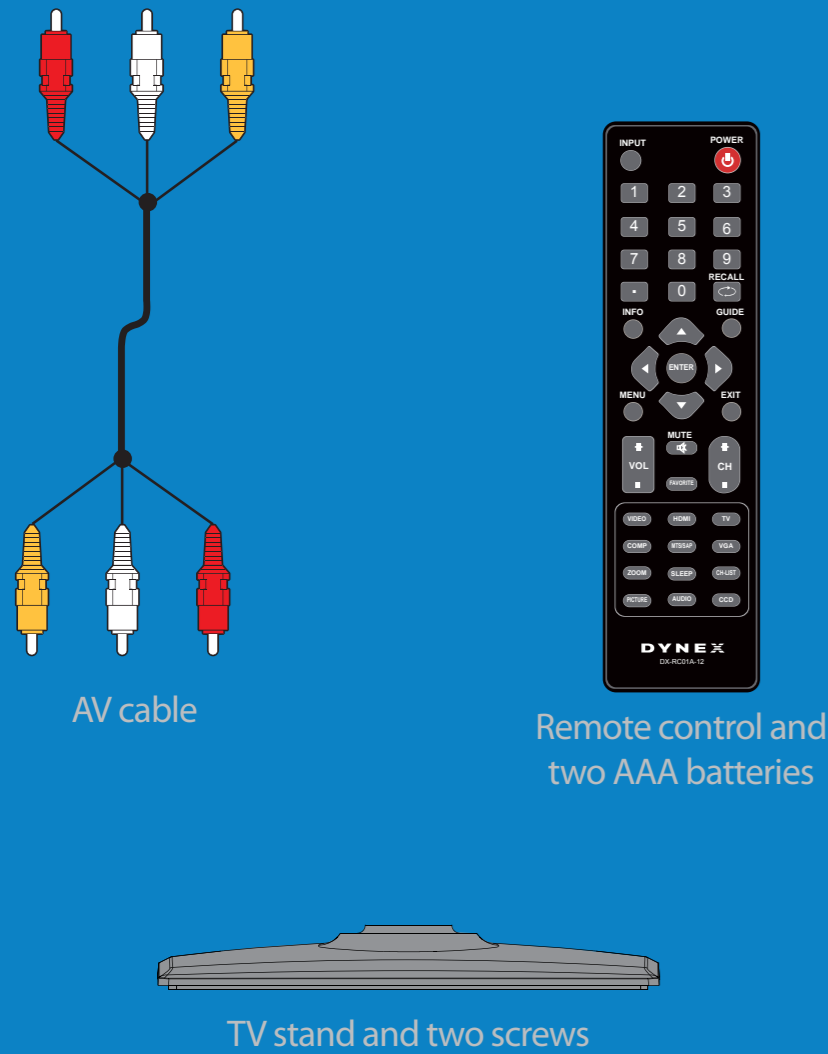
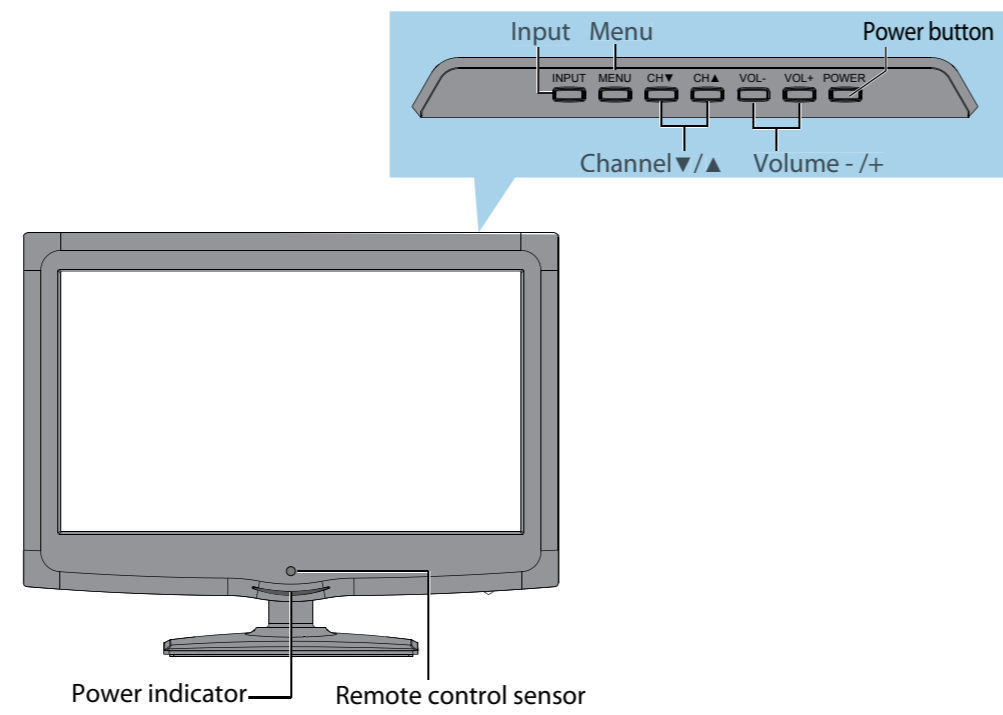


15" LED-LCD TV 720p
QUICK SETUP GUIDE
 DX-15E220A12



Front features

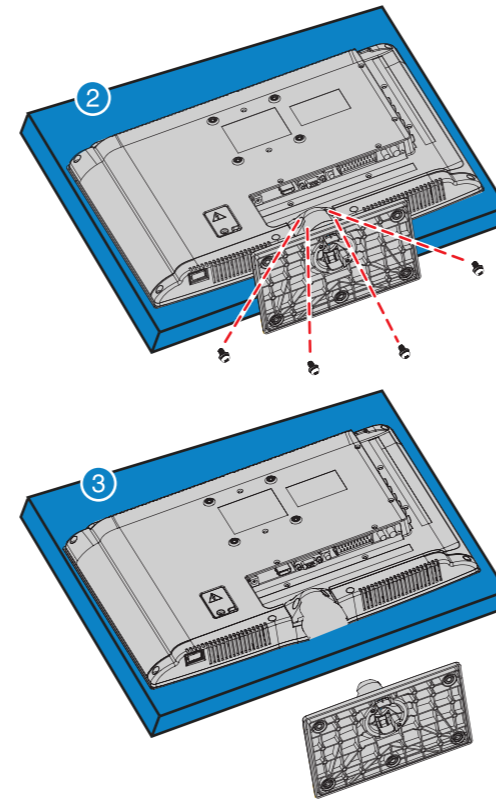


Installing the stand

- 1 Carefully place your TV screen face-down on a cushioned, clean surface to protect the screen from damages and scratches.
- 2 Secure the stand to the stand column on the TV with the two screws provided.

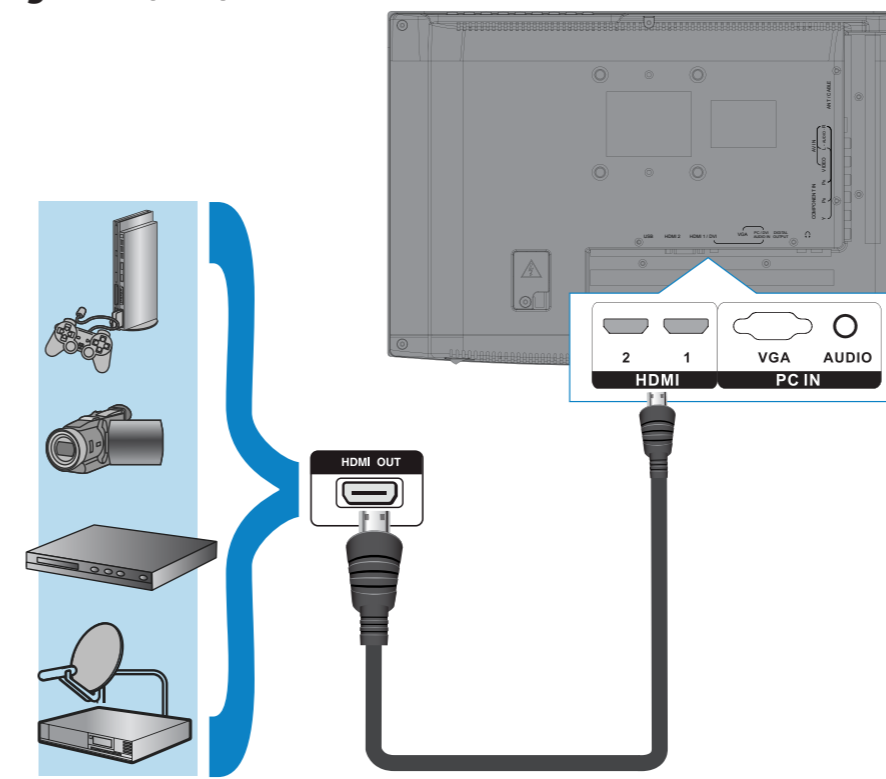
Installing a wall-mount bracket

- 1 Carefully place your TV screen face-down on a cushioned, clean surface to protect the screen from damages and scratches.
- 2 Remove the four screws that secure the stand column to the TV, then remove the stand column.
- 3 Attach the wall-mount bracket to your TV using the mounting holes on the back of your TV. See the instructions that came with the wall-mount bracket for information on how to correctly hang your TV.

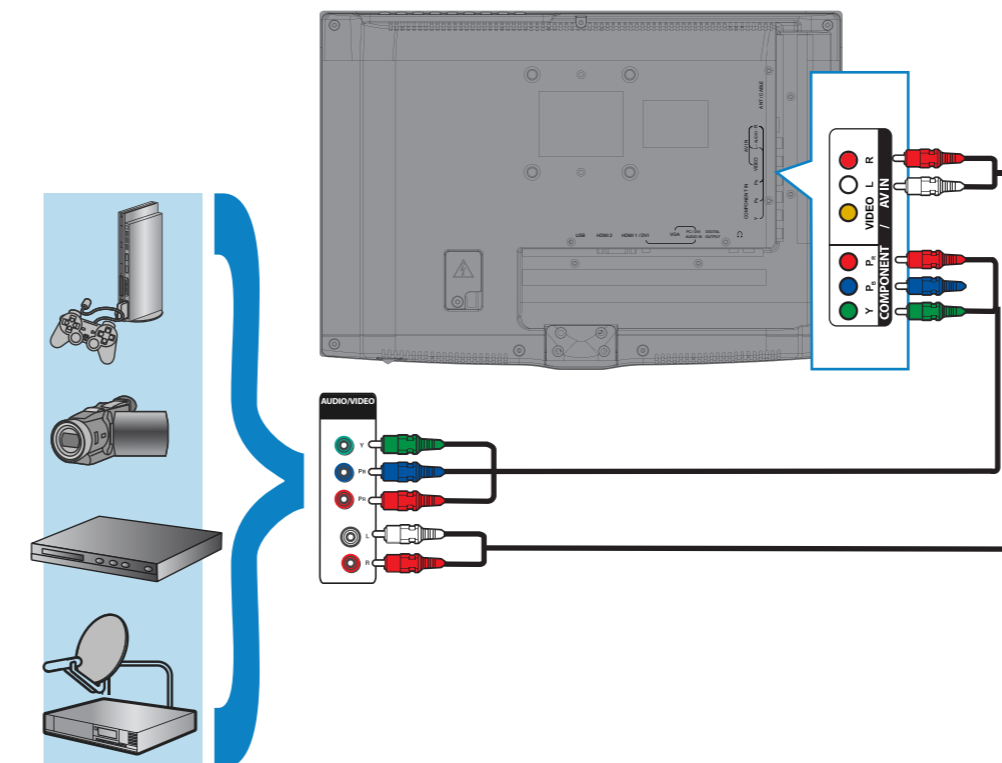


Connecting a DVD or Blu-ray player, cable box, satellite receiver or game station

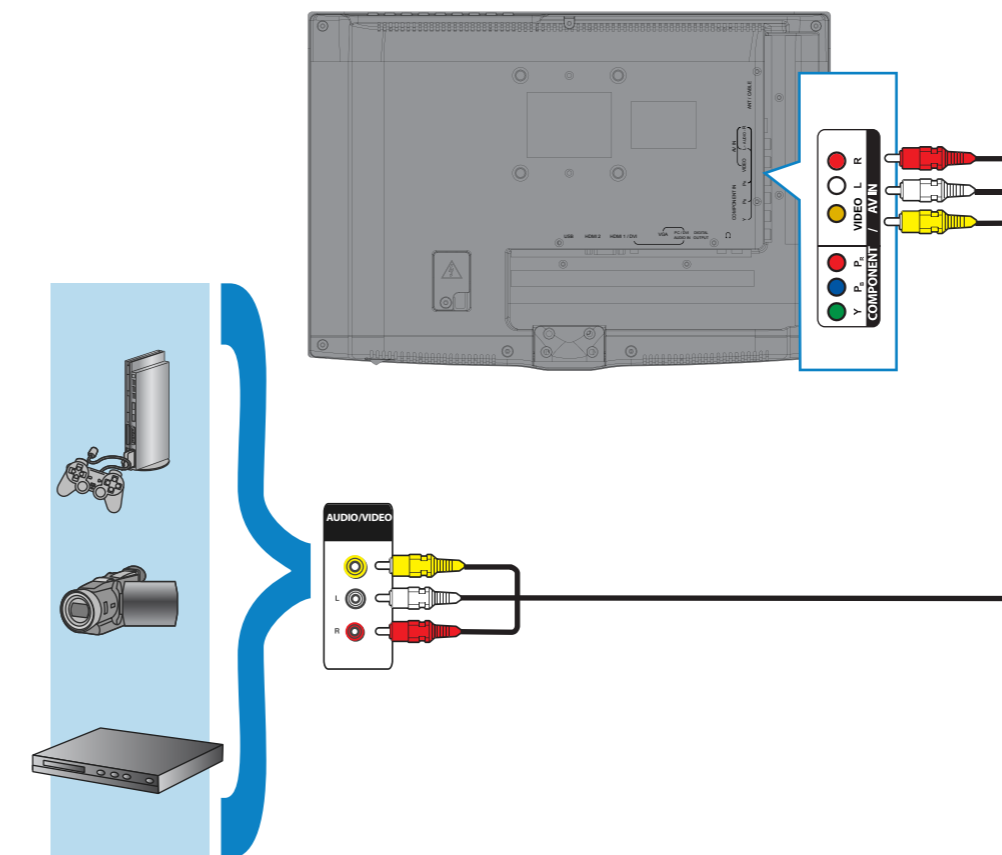
Using HDMI (best)



Using component cables (better)

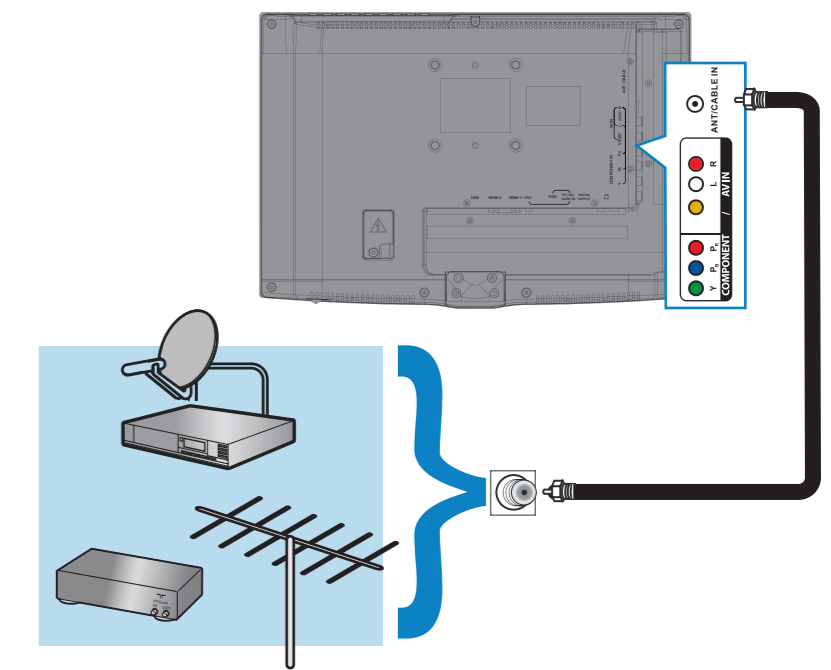


Using composite cables (good)



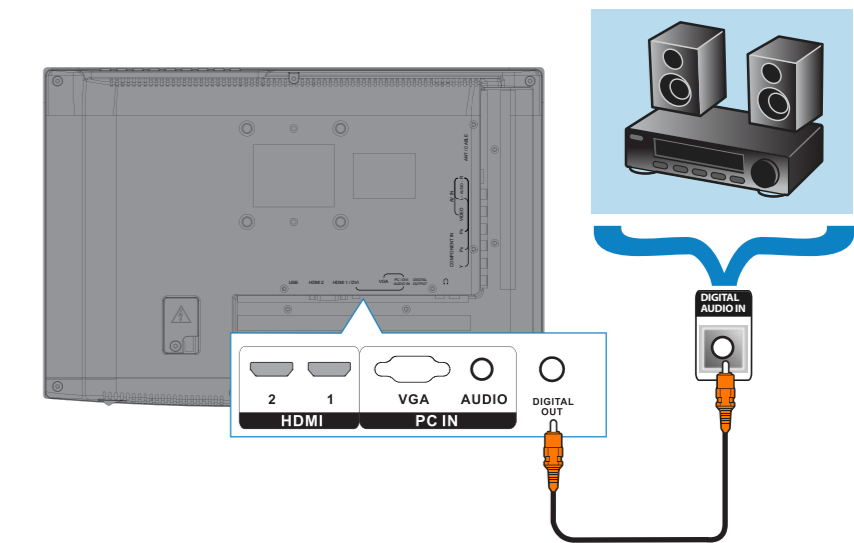
Connecting an antenna/cable wall jack

Connect a coaxial cable (not included) to the ANT/CABLE IN jack on the back of your TV and to the Antenna/Cable wall jack.

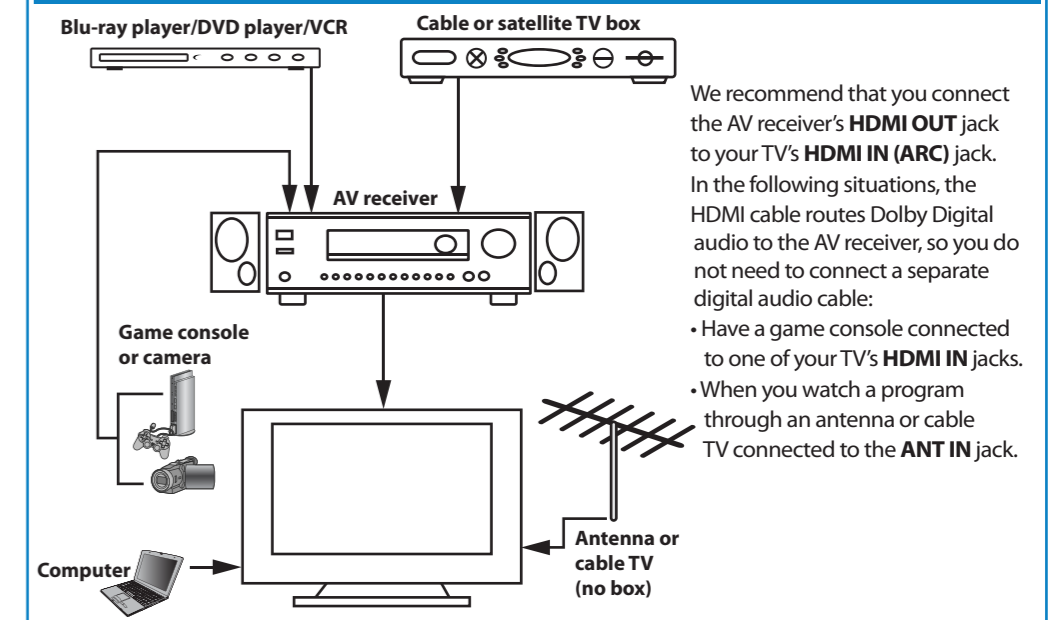


Connecting a Home Theater System

Using digital audio



Connecting a home theater system with multiple devices



WE ARE GOING GREEN!

A copy of your *User Guide* is not provided in the box but is available online. Go to www.dyneproducts.com, click **Support & Service**, enter your model number in the *Product Search* field, then click **Search**.



Warning

This apparatus is intended to be supported by a UL Listed wall mount bracket.

Identifying cables

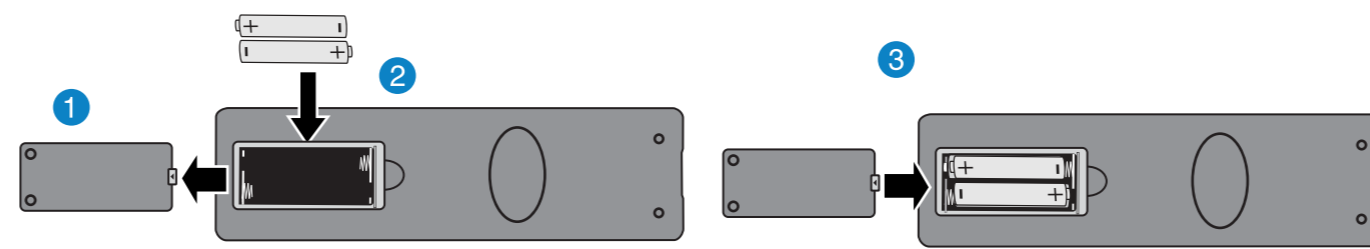
Your TV has several connection types for connecting devices. For the best video quality, connect a device to the best available connection.

Connection type	Video quality	Cable connector
HDMI video/audio	Best	
OR		
Component video and analog audio	Better	
OR		
Composite video and analog audio	Good	

You can use an HDMI jack to connect a DVI device to your TV. You need to attach an HDMI-to-DVI adapter to the end of the HDMI cable that connects to the DVI device's jack.

Setting up and using your remote control

- 1 Press the release button on the back of the remote to remove the battery compartment cover.
- 2 Insert two AAA batteries into the battery compartment. Make sure that the + and - symbols on the batteries match the + and - symbols in the battery compartment.
- 3 Replace the cover.



INPUT SOURCE
TV
AV
Component
HDMI1
HDMI2
VGA
USB

Parental Controls
Time
Closed Caption
Menu Settings
Computer Settings
Input Labels
System Info
Power on in Void Mode
Reset to Default

Aspect ratio options

- Normal:** Displays the original 4:3 aspect ratio with black bars vertical on the left and right hand side of the screen.
- Zoom:** Expands the image to fill the screen. The top and bottom of the image may be cropped.
- Wide:** Use this option to view content recorded in a 16:9 (wide-screen) aspect ratio.
- Cinema:** Stretches the image at the edges, but keeps a clear image in the center.
- Auto:** Automatically adjusts the image based on the screen size and the TV program. **Note:** Auto is only available when Auto Zoom in the CHANNELS menu must be set to On.

Input Opens the Source list.

Numbers Enter channel numbers.

Enter a digital sub-channel number (e.g. 4.1)

INFO Opens a TV status banner.

ENTER Confirms selections or changes.

MENU Opens the on-screen menu.

Volume Changes the volume.

MUTE Mutes the sound.

ZOOM Changes how the picture displays on the screen.

PICTURE Selects the video modes.

SLEEP Sets the sleep timer.

AUDIO Selects the audio modes.

POWER Turns your TV on or off.

RECALL Returns to the previous channel.

GUIDE Displays the program guide.

Arrows Navigate in on-screen menus.

EXIT Closes the on-screen menu.

Channel Changes the TV channels.

FAVORITE Opens the Favorite Channel list.

Quick Launch Inputs Selects another source connected to your TV.

CH-LIST Opens the channel list.

CCD Turns closed captioning on or off.

MTS/SAP Cycles through mono, stereo, and secondary audio for analog programs.

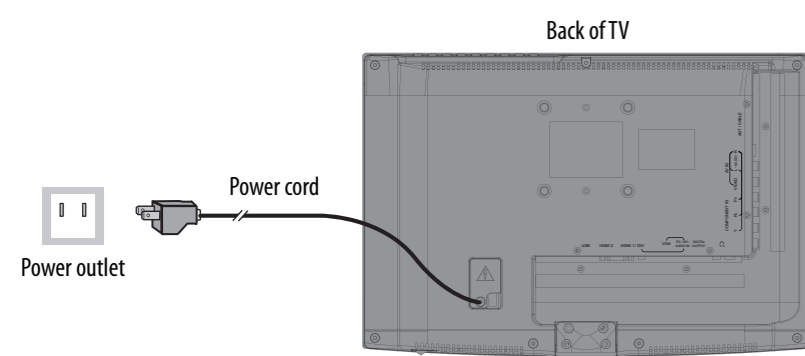
Programming your remote control

To program your universal remote control to work with your new Dynex TV, see the table for common codes. If you have problems programming your remote or need a different remote control code, visit <http://www.dynexproducts.com/remotecodes> for the latest remote control code information.

Universal remote TV codes												
Universal remote controls				Cable/Satellite/Set-top boxes								
One for All	Philips	RCA	Sony	Cablevision	Charter	Comcast	Cox	Direct TV	Dish Network	Time Warner	Tivo	Verizon
0054	0198, 0490	135	068, 069, 078, 096, 100, 164, 168, 229, 026	068, 069, 078, 096, 100, 164, 168, 229, 026	2002, 1204, 1423, 1517, 0171, 1963, 0463, 1463, 0842, 1326, 167, 415, 424, 450, 456, 461, 507, 523, 567, 577, 586	10171, 11204, 11326, 11463, 11517, 11641, 11780, 11785, 11892, 11963, 12002	1326, 1463	10171, 11204, 11326, 11517, 11564, 11641, 11963, 12002	720	400, 450, 461, 456, 10463, 1463, 0463	0091	0198, 0490

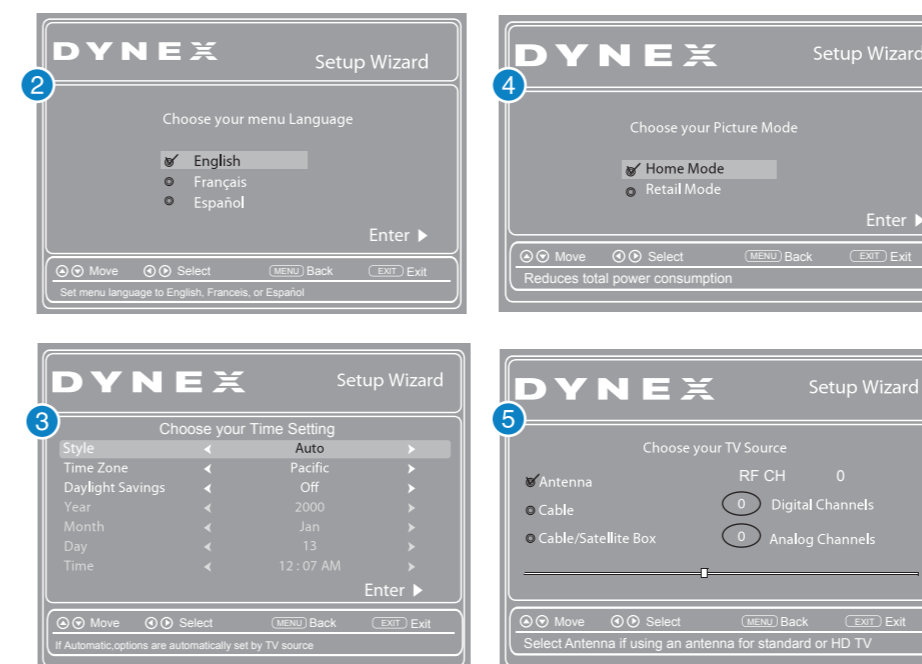
Connecting power

Plug the AC power cord into an AC power outlet.



Turning on your TV for the first time

- 1 Make sure that you have:
 - Installed the remote control batteries.
 - Connected an antenna, cable TV, or satellite TV.
 - Connected the power cord.
- 2 Press **POWER** (power), then wait several seconds. The *Choose your menu language* screen opens.
- 3 Press **▲** or **▼** to highlight a language, then press **ENTER**. The *Time* screen opens with Mode highlighted.
- 4 Press **◀** or **▶** to select **Auto** or **Custom**. If you select **Auto**, the date and time are set automatically from a digital TV signal. If you select **Custom**, you can manually set the date and time. Press **ENTER**. The *Choose your Picture Mode* screen opens.
- 5 Press **▲** or **▼** to highlight **Home Mode** or **Retail Mode**, then press **ENTER**. If you select **Retail Mode**, a message asks you to confirm your selection. Select **Yes** or **No**. **Retail Mode** is not an energy-saving mode. The *Choose your TV source* screen opens.
- 6 Press **▲** or **▼** to highlight **Antenna**, **Cable**, or **Cable/Satellite box**. If you select **Antenna** or **Cable**, your TV scans for available channels. The scan may take several minutes. **If you select Cable/Satellite box, your TV does not scan for channels.**
- 7 To watch TV, press **INPUT**, then press **▲** or **▼** to select the video input source for your TV signal. For example, select **HDMI** if your TV is connected to a cable/satellite box using an HDMI cable or select **TV** if your TV is connected to an antenna or cable/satellite using a coaxial cable.



DYNEX

One-year limited warranty

Visit www.dynexproducts.com for details.

Need additional help?

See your *User Guide*! This comprehensive guide includes everything from basic how-to steps to more advanced features. Go to www.dynexproducts.com, click **Support & Service**, enter your model number in the *Product Search* field, then click **Search**.

We're here for you

www.dynexproducts.com
For customer service, call:
800-305-2204 (U.S./Canada markets)

Distributed by Best Buy Purchasing, LLC
7601 Penn Avenue South, Richfield, MN USA 55423-3645

© 2011 BBY Solutions, Inc., All Rights Reserved.
DYNEX is a trademark of BBY Solutions, Inc. Registered in some countries. All other products and brand names are trademarks of their respective owners.

WE ARE GOING GREEN!

A copy of your *User Guide* is not provided in the box but is available online.

Go to www.dynexproducts.com, click **Support & Service**, enter your model number in the *Product Search* field, then click **Search**.



ENGLISH 11-1202