



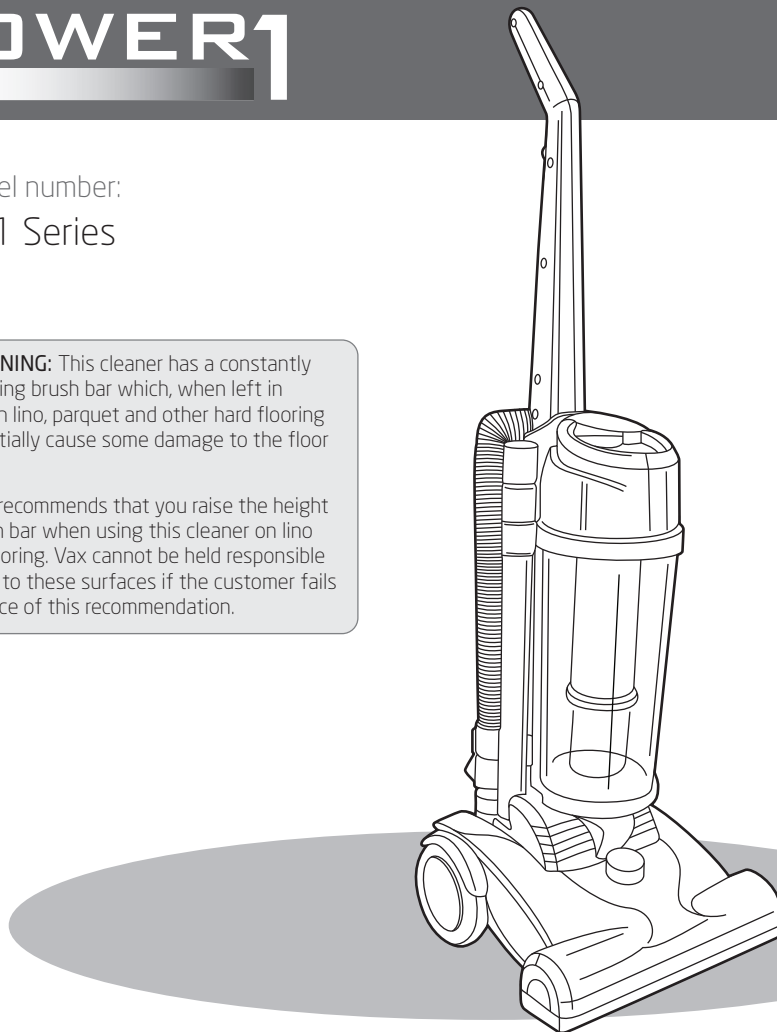
Vax Careline: (UK) 0844 412 8455
(ROI) 1-800 928 308

Bagless upright vacuum **POWER1**

Vax model number:
U90-P1 Series

WARNING: This cleaner has a constantly rotating brush bar which, when left in contact with lino, parquet and other hard flooring could potentially cause some damage to the floor surface.

NOTE: Vax recommends that you raise the height of the brush bar when using this cleaner on lino and hard flooring. Vax cannot be held responsible for damage to these surfaces if the customer fails to take notice of this recommendation.



instruction manual

vax.co.uk

Please read carefully before using this cleaner.
Always fully extend the mains cable before use.
Retain for future reference.

1. Diagram

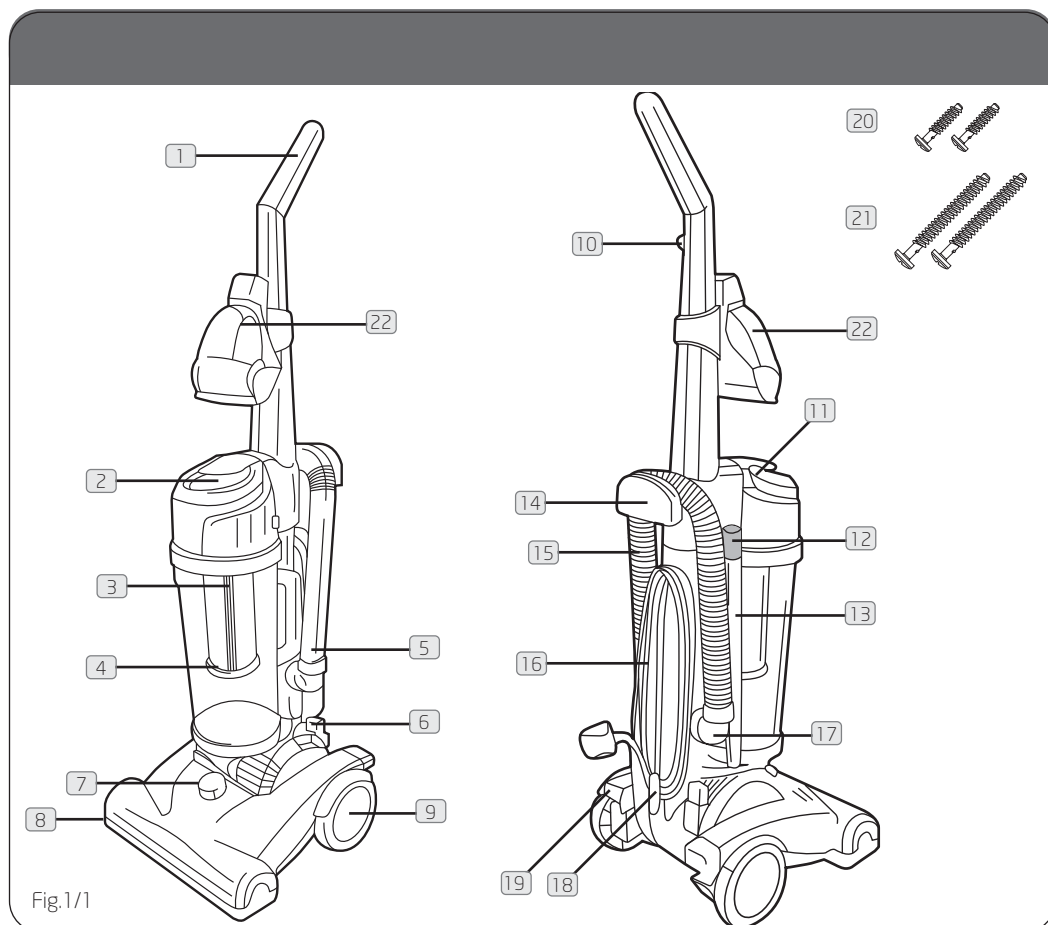


Fig.1/1

PLEASE NOTE: some parts may vary according to model. Please check inside flap of box for more details.

- | | |
|----------------------------------|--|
| 1 Handle | 12 Crevice tool (stored in extension tube) |
| 2 Dirt container lid | 13 Extension tube |
| 3 HEPA filter | 14 Hose clip |
| 4 Dirt container | 15 Hose |
| 5 Lower hose inspection tube | 16 Power cord |
| 6 On/off switch | 17 Hose connector |
| 7 Carpet height adjuster | 18 Lower cord wrap with quick release |
| 8 Vacuum head | 19 Handle release pedal |
| 9 Wheel | 20 Two (2) short screws |
| 10 Cord clip | 21 Two (2) long screws |
| 11 Dirt container button release | 22 TurboTool (Some models only) |

WARNING: This cleaner has a constantly rotating brush bar which, when left in contact with lino, parquet and other hard flooring could potentially cause some damage to the floor surface.

NOTE: Vax recommends that you raise the height of the brush bar when using this cleaner on lino and hard flooring. Vax cannot be held responsible for damage to these surfaces if the customer fails to take notice of this recommendation.

2. Safety Information

For Household Use Only

When using the vacuum cleaner, basic safety precautions should always be observed, including the following:

1. Only use the vacuum cleaner indoors on dry surfaces. Do not handle the plug or vacuum cleaner with wet hands. Do not use outdoors or on wet surfaces.
2. Turn off the vacuum cleaner controls before connecting or disconnecting from the mains supply.
3. Always unplug the vacuum cleaner before connecting or disconnecting the vacuum hose and accessories.
4. Children should be supervised to ensure that they do not play with the appliance.
5. The appliance is not intended for use by persons (including children) with reduced physical, sensory or mental capabilities, or lack of experience and knowledge, unless they have been given supervision or instruction concerning use of the appliance by a person responsible for their safety.
6. Use only as described in this manual. Use only the manufacturer's recommended attachments.
7. Do not use the vacuum cleaner if it has been dropped, damaged, left outdoors or dropped into water. Do not use the vacuum cleaner with a damaged cord or plug. If the supply cord or plug is damaged, it must be replaced by the manufacturer or a recommended Service Agent to avoid hazard and invalidating the guarantee.
8. Do not pull or carry by the cord. Do not use the cord as a handle, close a door on the cord or pull the cord around sharp edges or corners. Do not run the vacuum cleaner over the cord. Keep the cord away from heated surfaces.
9. Do not put any objects into openings. Do not use with any openings blocked and do not restrict air flow. Keep all openings free of dust, lint, hair or anything that may reduce airflow.
10. Keep hair, loose clothing, fingers and all parts of the body away from openings and moving parts.
11. Do not pick up hot coals, cigarette butts, matches or any hot, smoking or burning objects.
12. Do not pick up flammable or combustible materials (lighter fluid, petrol, kerosene, etc) or use in the presence of explosive liquids or vapours.
13. Do not vacuum up harmful or toxic material (chlorine bleach, ammonia, drain cleaner, etc).

14. Do not vacuum up hard or sharp objects such as glass, nails, screws, coins, etc.
15. Do not use without the filters in place.
16. Take extra care when vacuuming stairs.
17. Keep vacuuming area well lit.
18. Store the vacuum cleaner indoors in a cool, dry area.
19. Turn off the on/off switch before unplugging the vacuum cleaner.
20. Use only CE-approved 13 amp extension cords. Non-approved extension cords may overheat. Care should be taken to arrange the cord so that the cord cannot be pulled or tripped over.

! **WARNING:** Always switch off and unplug the vacuum cleaner from the electrical outlet before assembling, opening or emptying the dirt container, or before connecting/disconnecting the attachments.

! **CAUTION:** The vacuum cleaner is a very powerful unit. Before plugging the cord into the electrical outlet, make sure the switch is in the 'off' position.

! **IMPORTANT:** If the inlet, hose or telescopic tube is blocked, switch off the vacuum cleaner and remove the blockage(s) before re-starting the vacuum cleaner.

! **IMPORTANT:** Cleaning filters improves vacuum performance. Make sure all the filters are completely dry before inserting back into the vacuum cleaner.

NOTE: Cleaner is not suitable for use on hard floors.

This vacuum cleaner is intended for household use only and not for commercial or industrial use.

Motor Protector

IMPORTANT: The motor is equipped with a thermal cut-out. If for any reason, the vacuum cleaner should over-heat, the thermostat will automatically turn the unit off. Should this occur, unplug the vacuum cleaner from the electrical outlet and turn off the switch. Remove the dirt container and empty. Clean the filters. Allow the cleaner to cool for approximately one (1) hour. To re-start, plug into an electrical outlet and switch back on.

3. How to Assemble

⚠ IMPORTANT: Always remove the power plug from the electrical outlet before assembling or removing accessories.

Handle Assembly

Firmly push the back panel onto the base assembly. Ensure it is fully located before inserting the two short screws (Fig.3/1).

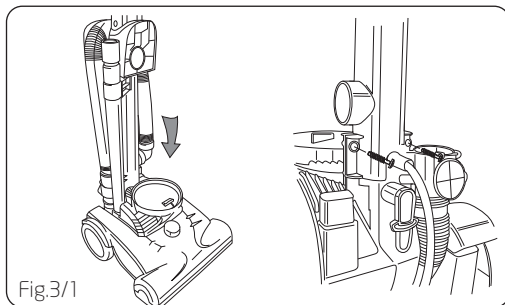


Fig.3/1

Slide the handle into place onto the top of the back panel. Secure the top handle to the back panel by inserting the two long screws (Fig.3/2).

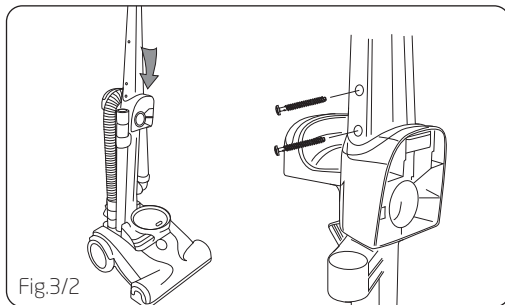


Fig.3/2

Assembling the Dirt Container

Insert the bottom of the dirt container to align with the tab on the upper cover of the motor. To secure the dirt container, push the top in place, there will be an audible click when it is secure (Fig.3/3).

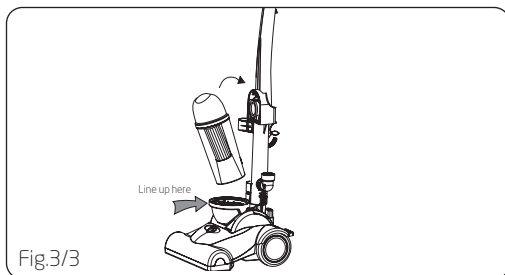


Fig.3/3

Assembly of the Hose

Align the tabs on the lower hose/inspection tube with the slots on the hose. Push and turn the hose clockwise until secure (Fig.3/4).

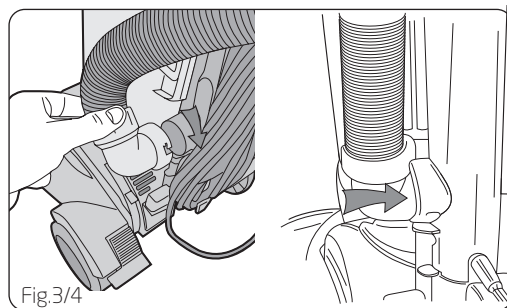


Fig.3/4

Wrap the hose round and through the hose clip and then down and insert into hose connector (Fig.3/5).

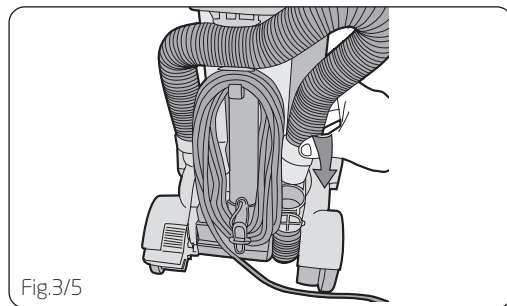


Fig.3/5

Cord Storage

This vacuum cleaner is equipped with a convenient cord storage feature. The power cord winds around the two cord holders at the side of the unit. The bottom cord holder has a quick release feature. Turn the cord hook to the left or the right to remove the power cord (Fig.3/6).

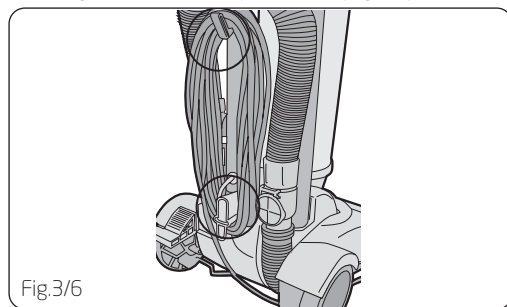


Fig.3/6

4. How to Operate

Turn the vacuum cleaner on by pressing the on/off switch located on the lower right side of the cleaner (Fig.4/1).

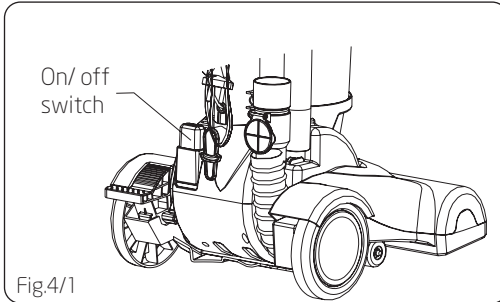


Fig.4/1

The cleaner can be turned off by pressing the on/off switch again.

Adjusting the Angle of the Main Body

To adjust the angle of the vacuum cleaner body, push the release pedal on the lower left side of the cleaner (Fig.4/2). Move the handle to the desired position. (A) for upright position, (B) for normal operation and (C) to clean under furniture (Fig.4/2).

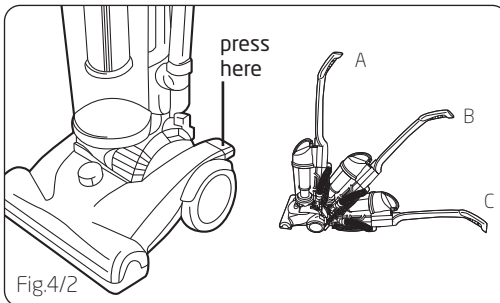


Fig.4/2

Carpet Height Adjuster

The front of the vacuum cleaner has a carpet height adjuster that raises and lowers the brushbar to suit the type of carpet. With the cleaner NOT connected to the electrical outlet, and when the vacuum is in the upright position set the adjustment to the lowest setting for maximum cleaning. If the cleaner is difficult to move, push the knob to the next highest setting until the vacuum is comfortable to push. The brushbar must reach the carpet for effective cleaning.(Fig.4/3).

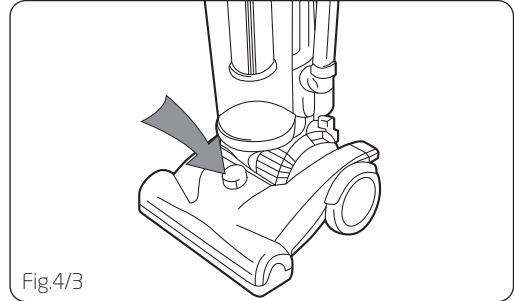


Fig.4/3

! WARNING: This cleaner has a constantly rotating brush bar which, when left in contact with lino, parquet and other hard flooring could potentially cause some damage to the floor surface.

NOTE: Vax recommends that you raise the height of the brush bar when using this cleaner on lino and hard flooring. Vax cannot be held responsible for damage to these surfaces if the customer fails to take notice of this recommendation.

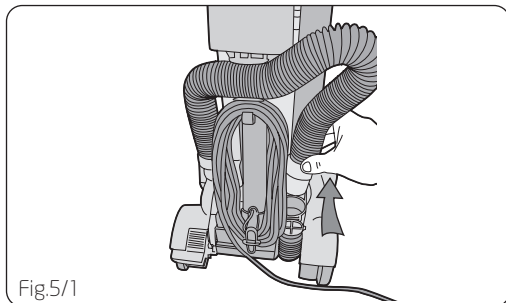
! IMPORTANT: When the vacuum cleaner is stood in the upright position or when using the hose and tools, the carpet height adjuster must be set to the highest position.

! WARNING: To avoid injury, keep loose clothing, hair, fingers and all other parts of the body away from any moving part (such as the brushbar). Turn off the switch and unplug the cleaner before adjusting the cleaner for the carpet height.

5. Accessories

Attaching the Accessories

The accessories can be used with or without the extension tube. To attach, remove the hose from the machine and push the desired accessory onto the end (Fig.5/1).



Crevice Tool

Use the crevice tool for radiators, crevices, corners, skirting boards and between cushions.

TurboTool (Some models only)

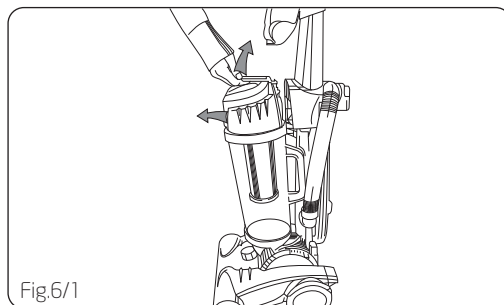
For pet hair, stairs and upholstery. The TurboTool should be pulled backwards for optimum cleaning.

6. Dirt Container & Filter: Removal and Replacement

! IMPORTANT: Always unplug the unit from the electrical outlet before opening the dirt container.

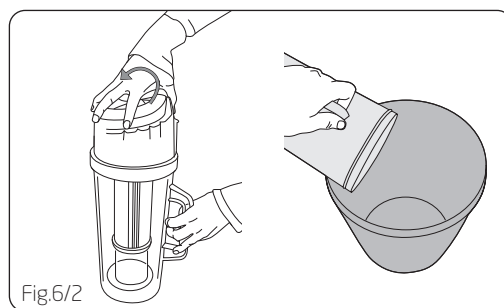
! IMPORTANT: Do NOT use the vacuum without the HEPA filter in place.

To remove the dirt container, press the dirt container release button and lift away from the vacuum cleaner (Fig.6/1).



Cleaning the HEPA Filter

Remove the dirt container lid by grasping the dirt container and turning anti-clockwise (Fig.6/2).



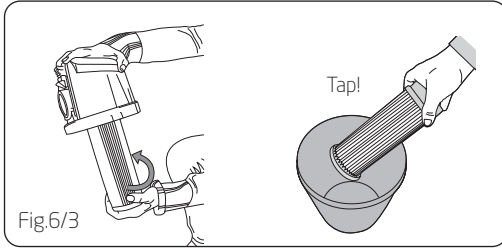
Empty all the dirt from the container.

Remove the filter by twisting anti-clockwise and pulling out.

Firmly tap clean the HEPA filter until no more dust is observed falling out (Fig.6/3).

The HEPA filter may be washed by running it under the tap. We recommend washing it once a month or when suction appears reduced. Always allow to air dry for 24 hours before replacing into the vacuum.

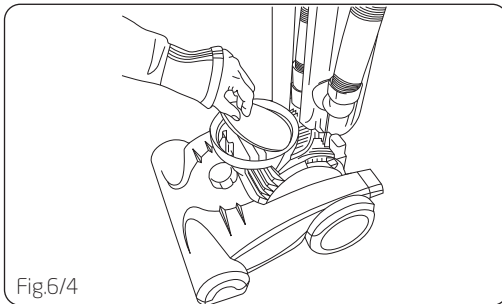
PLEASE NOTE: The white material in the HEPA filter will discolour over time -This is NORMAL and will NOT affect the performance of the filter.



! WARNING: Always empty the dirt container and clean the HEPA filter before each use and during prolonged usage. Never over fill the dirt container, remove dirt and clean the HEPA filter each time the dirt container is emptied during prolonged usage or risk motor damage.

Cleaning the Pre-Motor Filter

Underneath the dirt container is a pre-motor filter. If found to be defective, please replace (Fig.6/4).



Cleaning the Dirt Container

! WARNING: To reduce the risk of electric shock, the power cord must be disconnected before removing the dirt container, HEPA filter, changing the filters or performing maintenance/troubleshooting checks.

- The dirt container can be washed in lukewarm water (max 40°C).
- Do not use strong detergents.
- Ensure that the dirt container is fully dry before putting back on the vacuum cleaner. Do not wash in dishwasher.

7. Maintenance

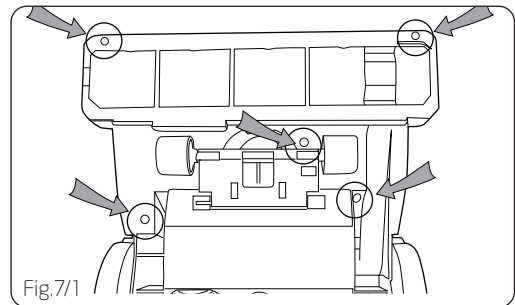
Cleaning and Changing the Belt

TOOLS REQUIRED: Phillips screwdriver.

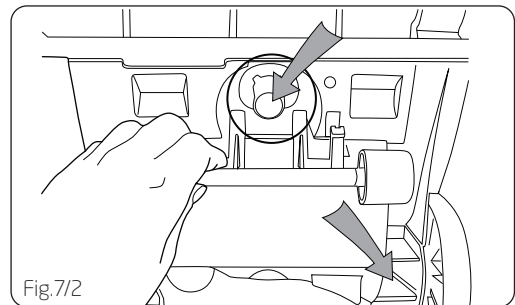
! WARNING: To reduce the risk of electric shock, the power cord must be disconnected before removing the dirt container, HEPA filter, changing the filters or performing maintenance/troubleshooting checks. Occasionally, the power nozzle drive belt will require changing, the frequency will depend upon the amount of vacuum use.

Turn vacuum off and unplug from power supply. Press handle release button and lay vacuum cleaner on a flat, level surface.

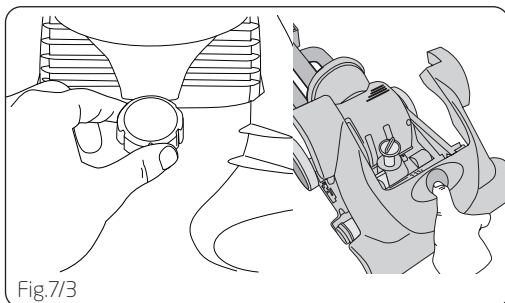
Using a Phillips screwdriver, remove the five (5) screws on the underside of the cleaner (Fig.7/1).



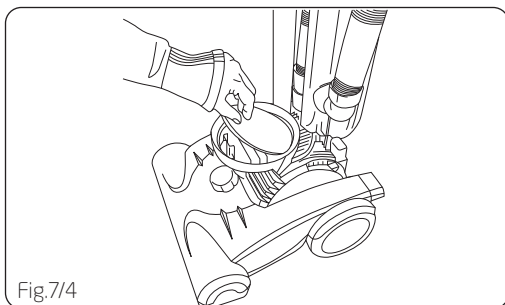
Pull down the smaller wheel flap on the underside and remove the remaining screw inside the black tube (Fig.7/2).



Remove the carpet height adjuster knob from the top of the floor head cover. Remove the floor head cover, lifting from the rear of the machine (Fig.7/3).



Lift the right side of the brushbar and lift the left hand side and remove the brushbar from the power head (Fig.7/4).



Remove the worn or broken belt from the motor drive shaft.

Carefully remove any belt residue that may exist in the belt area before replacing with a new belt.

Loop the new belt first over the motor drive shaft and then over the agitator pulley.

Insert the right side of the brushbar in first by placing the end cap down in the slot and then so the same with the left side. Press firmly to make sure that each end is completely inserted.

Check to make sure that the belt is centred on the agitator pulley and that the brushbar turns.

Replace the vacuum head cover then reattach the carpet height adjuster knob. Secure parts by screwing in one (1) screw underneath the small wheel flap and the five (5) screws on the underside of the vacuum cleaner.

8. Troubleshooting

! WARNING: To reduce the risk of personal injury, unplug the vacuum cleaner before performing maintenance or troubleshooting checks.

PROBLEM: Vacuum cleaner won't run

Cause: Not properly plugged into electrical outlet.

Solution: Plug in securely.

Cause: No electricity in the electrical outlet.

Solution: Check fuse or breaker.

Cause: On/off switch not turned on.

Solution: Push on/off switch to 'on'.

Cause: Motor thermostat has tripped.

Solution: Switch off and unplug the vacuum cleaner. Leave for one (1) hour before switching the vacuum cleaner back on.

Cause: Blown fuse/tripped breaker.

Solution: Reset circuit breaker or replace fuse.

PROBLEM: Cleaner won't pick up/loss of suction.

Cause: Dirt container not installed properly.

Solution: Review dirt container replacement.

Cause: Dirt container full or blocked.

Solution: Empty dirt container.

Cause: Clogged filters.

Solution: Remove, clean and replace filters.

PROBLEM: Accessories won't pick up.

Cause: Accessories are not attached correctly.

Solution: Refer to section 5.

Cause: TurboBrush / TurboTool is clogged.

Solution: Refer to section 7.

Cause: Hose / Stretch Hose is not installed correctly.

Solution: Refer to section 7.

PROBLEM: Dust escaping from the vacuum cleaner.

Cause: Dirt container full.

Solution: Empty dirt container.

Cause: Dirt container not installed correctly.

Solution: Review dirt container replacement.

Cause: Hose / Stretch Hose is not installed correctly.

Solution: Review installation.

Cause: Filter not installed completely.

Solution: Remove, clean and replace filters.

9. UK Service & Help

(UK) 0844 412 8455
(ROI) 1-800 928 308

Monday-Friday 8.30am to 6.30pm
Saturday-Sunday 9.00am to 5.00pm

Any queries or concerns about using your Vax, call the Vax Careline. Please make a note of the model number and serial number of your Vax before calling. For the nearest Vax Service Agent, please call the Vax Careline or visit vax.co.uk

10. Consumables

To purchase spares and accessories, please visit vax.co.uk

HEPA filter kit (1-9-126184-00)

11. Technical Specification

Voltage: 220-240V ~50Hz
Wattage: 1600W max
Capacity: 3L (approx)
Filters: Pleated paper HEPA filter
HEPA anti-bacterial (some models only)

Cord length: 10m (approx)
Weight: 6.7kg/7kg (varies per model)

Subject to technical change without notice.



This page has been left intentionally blank

This page has been left intentionally blank



EEC STATEMENT OF COMPLIANCE

Manufacturer/EEC importer: Vax Limited, hereby on our own responsibility, declare that the Power 1 Series is manufactured in compliance with the following Directives:

Safety: 2006/95/EC Low Voltage Directive

EMC: 2004/108/EC Electromagnetic Compatibility Directive



Waste electrical products should not be disposed of with household waste. Please recycle where facilities exist. Check with your Local Authority or retailer for recycling advice.

Vax Ltd., Kingswood Road, Hampton Lovett, Droitwich, Worcestershire, WR9 0QH, UK
email: info@vax.co.uk - website: vax.co.uk