

BLODGETT® **BLODGETT**® **BLODGETT**® **BLODGETT**®

BLODGETT® **BLODGETT**® **BLODGETT**®

BLODGETT® **BLODGETT**® **BLODGETT**® **BLODGETT**®

BLODGETT®

ZEPHAIRE-E
ELECTRIC CONVECTION OVEN
INSTALLATION -- OPERATION -- MAINTENANCE



BLODGETT OVEN COMPANY

www.blodgett.com

44 Lakeside Avenue, Burlington, Vermont 05401 USA Telephone (800) 331-5842, (802) 860-3700 Fax: (802)864-0183

PN 90147 Rev G (6/01)

E 2001 – G.S. Blodgett Corporation

IMPORTANT

WARNING: IMPROPER INSTALLATION, ADJUSTMENT, ALTERATION, SERVICE OR MAINTENANCE CAN CAUSE PROPERTY DAMAGE, INJURY OR DEATH. READ THE INSTALLATION, OPERATING AND MAINTENANCE INSTRUCTIONS THOROUGHLY BEFORE INSTALLING OR SERVICING THIS EQUIPMENT

FOR YOUR SAFETY

Do not store or use gasoline or other flammable vapors or liquids in the vicinity of this or any other appliance.

The information contained in this manual is important for the proper installation, use, and maintenance of this oven. Adherence to these procedures and instructions will result in satisfactory baking results and long, trouble free service. Please read this manual carefully and retain it for future reference.

Errors: Descriptive, typographic or pictorial errors are subject to correction. Specifications are subject to change without notice.



THE REPUTATION YOU CAN COUNT ON

For over a century and a half, The Blodgett Oven Company has been building ovens and nothing but ovens. We've set the industry's quality standard for all kinds of ovens for every foodservice operation regardless of size, application or budget. In fact, no one offers more models, sizes, and oven applications than Blodgett; gas and electric, full-size, half-size, countertop and deck, convection, Cook'n Hold, Combi-Ovens and the industry's highest quality Pizza Oven line. For more information on the full line of Blodgett ovens contact your Blodgett representative.

Your Service Agency's Address:



Model:

Serial Number:

Your oven was installed by:

Your oven's installation was checked by:

Table of Contents

Introduction

Oven Description and Specifications	2
Oven Components	3

Installation

Delivery and Location	4
Utility Connections – Standards and Codes	5
Oven Assembly	6
NSF Bolts	6
Leg Attachment	7
Caster Assembly	7
Double Section Assembly	8
Oven Leveling	8

Operation

Single Speed Blower	9
Single Speed Blower with Cavity Lights	10
Dual Speed Blower	11
Dual Speed Blower with Cavity Lights	12
General Guidelines for Operating Personnel	13
Suggested Times and Temperatures	14

Maintenance

Cleaning and Preventative Maintenance	15
Troubleshooting Guide	16

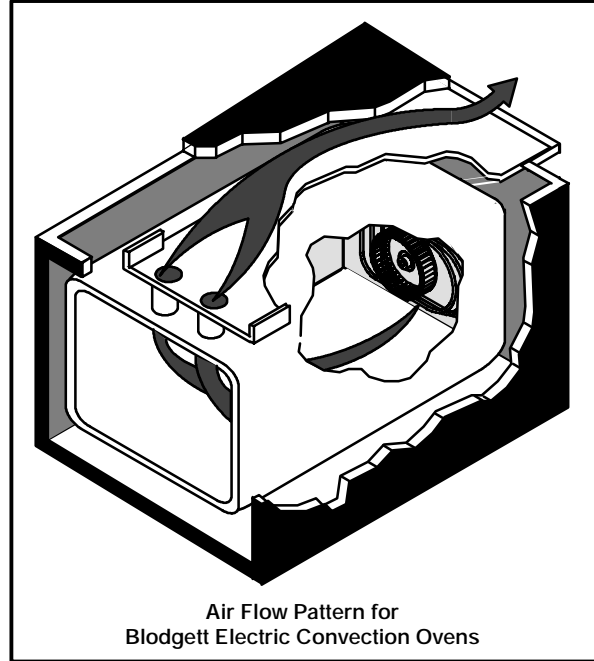


Introduction

Oven Description and Specifications

Cooking in a convection oven differs from cooking in a conventional deck or range oven since heated air is constantly recirculated over the product by a fan in an enclosed chamber. The moving air continually strips away the layer of cool air surrounding the product, quickly allowing the heat to penetrate. The result is a high quality product, cooked at a lower temperature in a shorter amount of time.

Blodgett convection ovens represent the latest advancement in energy efficiency, reliability, and ease of operation. Heat normally lost, is recirculated within the cooking chamber before being vented from the oven: resulting in substantial reductions in energy consumption and enhanced oven performance.



Air Flow Pattern for
Blodgett Electric Convection Ovens

Figure 1

KW/Section	Volts	Phase	Amperes				Electrical Connection AWG*
			L1	L2	L3	N	
60 HZ UNITS							
11	208	1	51	0	51	–	6
11	208	3	31	29	29	–	8
11	220-240	1	44	0	44	–	6
11	220-240	3	26	24	24	–	8
11	440	3	15	14	14	–	12
11	480	3	14	13	13	–	12
50 HZ UNITS							
11.0	220/380	3	18	16	16	2	Size per local code
11.0	240/415	3	18	14	14	8	
11.0	230/400	3	18	15	15	3	

* Electric connection wiring is sized for 90_C copper wire at 125% of rated input.



Oven Components

Heating Elements – located in the back of the oven, the elements provide heat to the baking chamber on electric ovens.

Control Panel – contains wiring and components to control the oven operation.

Oven Racks – five racks are provided standard. Additional racks are available.

Rack Supports – hold oven racks.

Baffle – located on the back interior wall of the oven. Protects the blower wheel.

Blower Wheel – spins to circulate hot air in the baking chamber.

Blower Motor – provides power to turn the blower wheel.

Oven Lights – provide lighting inside the baking compartment.

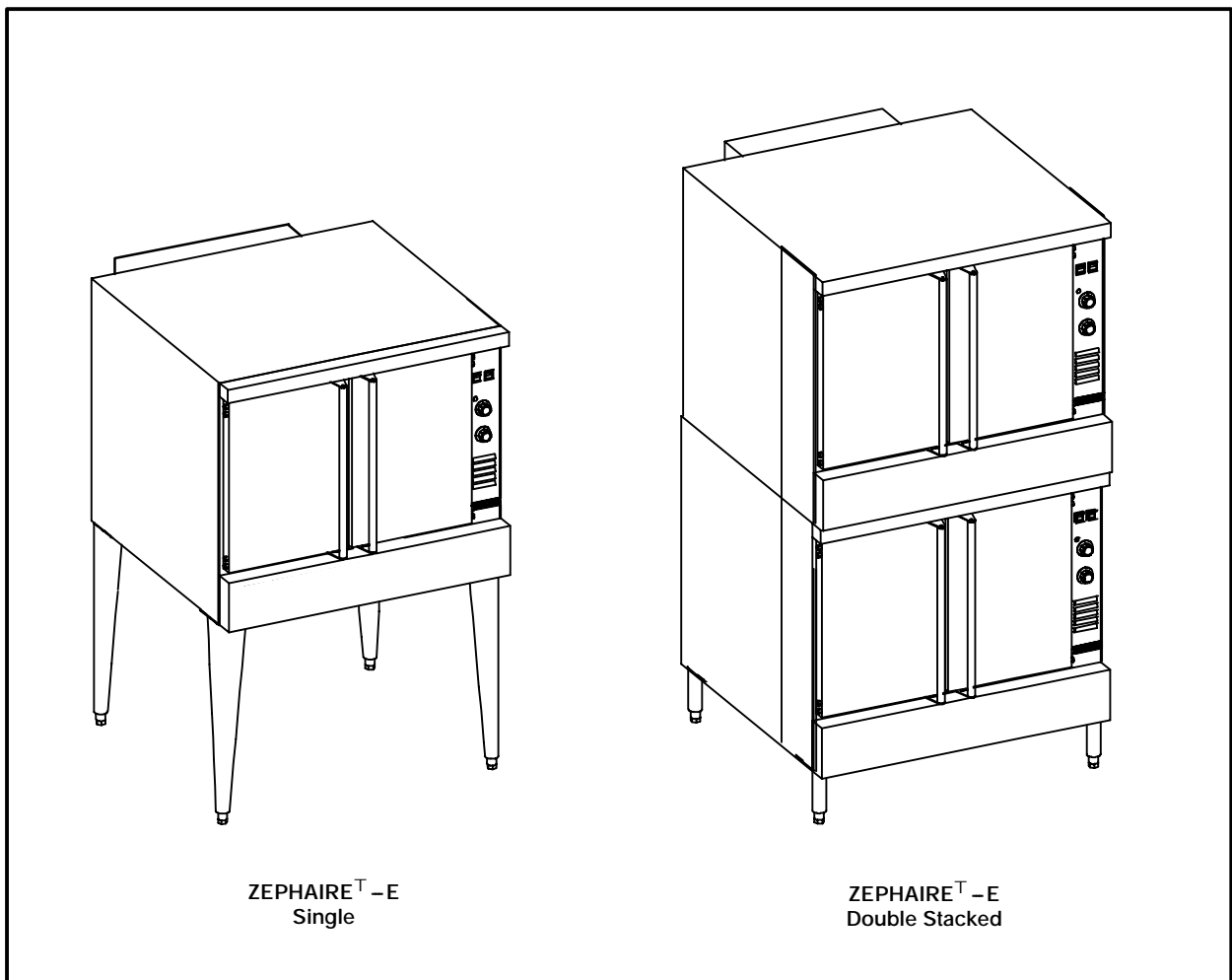


Figure 2



Installation

Delivery and Location

DELIVERY AND INSPECTION

All Blodgett ovens are shipped in containers to prevent damage. Upon delivery of your new oven:

- D Inspect the shipping container for external damage. Any evidence of damage should be noted on the delivery receipt which must be signed by the driver.
- D Uncrate the oven and check for internal damage. Carriers will accept claims for concealed damage if notified within fifteen days of delivery and the shipping container is retained for inspection.

The Blodgett Oven Company cannot assume responsibility for loss or damage suffered in transit. The carrier assumed full responsibility for delivery in good order when the shipment was accepted. We are, however, prepared to assist you if filing a claim is necessary.

OVEN LOCATION

The well planned and proper placement of your oven will result in long term operator convenience and satisfactory performance.

The following clearances must be maintained between the oven and any combustible or non-combustible construction.

- D Oven body right side – 1/2" (1.3 cm)
- D Oven body left side – 1/2" (1.3 cm)
- D Oven body back – 1/2" (1.3 cm)
- D Oven body bottom – 1/2" (1.3 cm)

Adequate clearances must be available for servicing.

- D Keep the oven area free and clear of all combustibles such as paper, cardboard, and flammable liquids and solvents.
- D Do not place the oven on a curb base or seal to a wall. This will restrict the flow of air and prevent proper ventilation resulting in damage to the oven.

Before making any utility connections to this oven, check the rating plate to be sure the oven specifications are compatible with the electrical services supplied for the oven.

1. The rating plate is attached under ledge above the door.

Utility Connections – Standards and Codes

THE INSTALLATION INSTRUCTIONS CONTAINED HEREIN ARE FOR THE USE OF QUALIFIED INSTALLATION AND SERVICE PERSONNEL ONLY. INSTALLATION OR SERVICE BY OTHER THAN QUALIFIED PERSONNEL MAY RESULT IN DAMAGE TO THE OVEN AND/OR INJURY TO THE OPERATOR.

Qualified installation personnel are individuals, a firm, a corporation, or a company which either in person or through a representative are engaged in, and responsible for:

- the installation of electrical wiring from the electric meter, main control box or service outlet to the electric appliance.

Qualified installation personnel must be experienced in such work, familiar with all precautions required, and have complied with all requirements of state or local authorities having jurisdiction.

U.S. and Canadian installations

Installation must conform with local codes, or in the absence of local codes, with the *National Electrical Code, ANSI/NFPA 70–Latest Edition* and/or *Canadian National Electric Code C22.2* as applicable.

General export installations

Installation must conform with Local and National installation standards. Local installation codes and/or requirements may vary. If you have any questions regarding the proper installation and/or operation of your Blodgett oven, please contact your local distributor. If you do not have a local distributor, please call the Blodgett Oven Company at 0011-802-860-3700.





Installation

Oven Assembly

NSF BOLTS

These bolts are required by NSF to block any exposed hole on the back of an oven. This includes:

□ any unit, single or stacked, without a back panel.

□ any holes in stacked units not used for mounting stacking brackets.

1. Locate the 5/16" bolts that were shipped with the oven.
2. Install the bolts as shown in Figure 3.

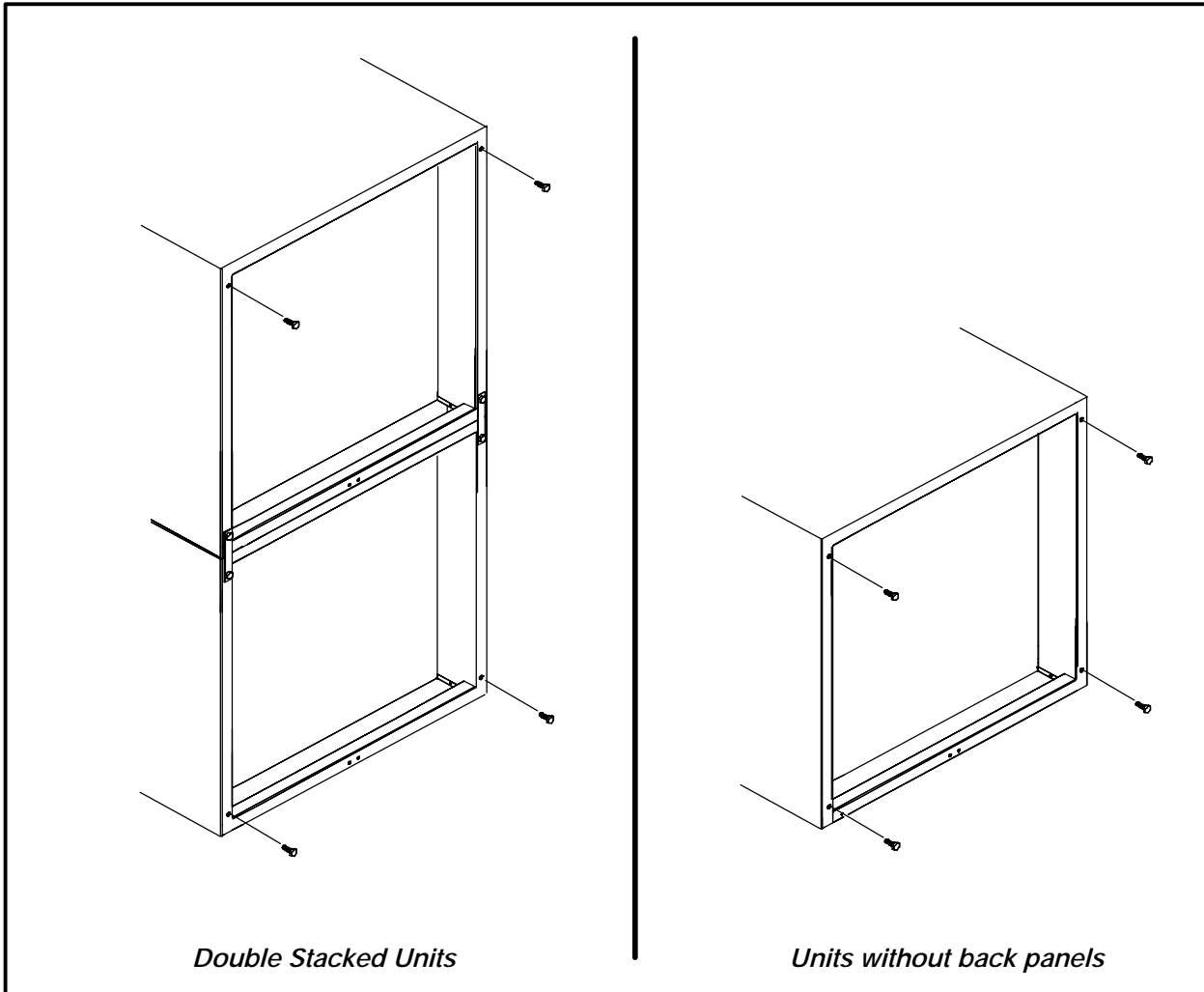


Figure 3

Oven Assembly

LEG ATTACHMENT

1. Lay the oven on its back.
2. Align the threaded stud in each leg with the nut located inside each bottom corner of the oven frame. Turn the legs clockwise and tighten to the nearest full turn.
3. Align the two leg plate holes in each leg with those in the oven bottom. Secure each leg using two 1/2" bolts.

NOTE: If using casters see CASTER ASSEMBLY before proceeding.

4. Tip the oven up on the legs.
5. Level the oven by screwing the adjustable leg feet in or out as necessary.

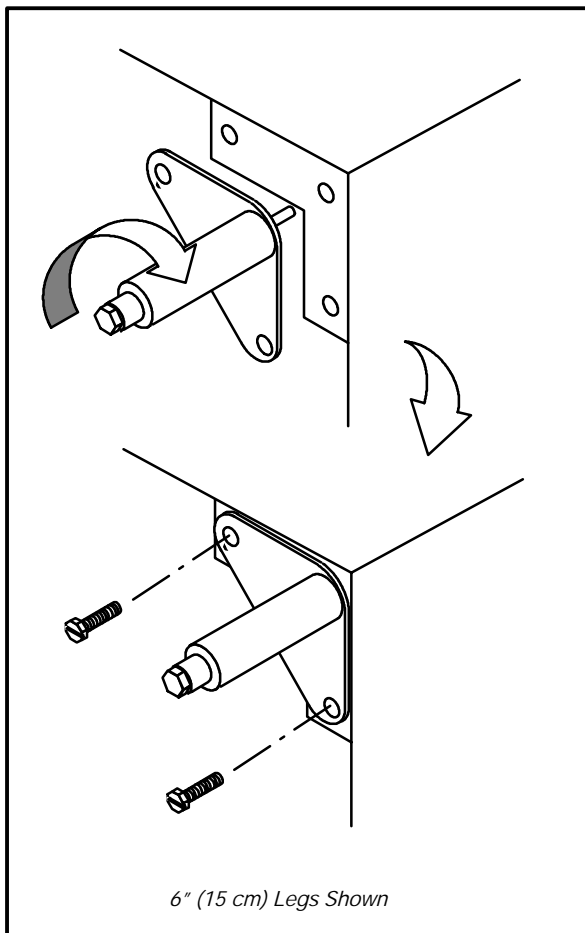


Figure 4

CASTER ASSEMBLY

NOTE: Install the locking casters on the front of the oven. Install the non-locking casters on the back of the oven.

Casters for Single and Double Stacked Ovens:

1. Attach the legs as described.
2. Pry the adjustable feet out of the legs.
3. Insert one caster into each leg as shown. Tighten the large hex nut to secure the casters.

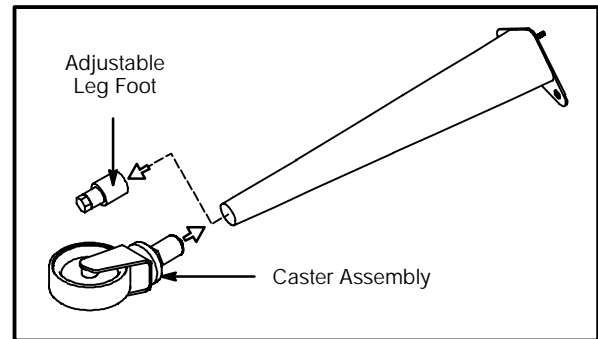


Figure 5

Low Profile Casters for Double Stacked Ovens:

1. Align the three holes in each caster assembly plate with those in the oven bottom. Secure each caster using three 1/2" bolts.

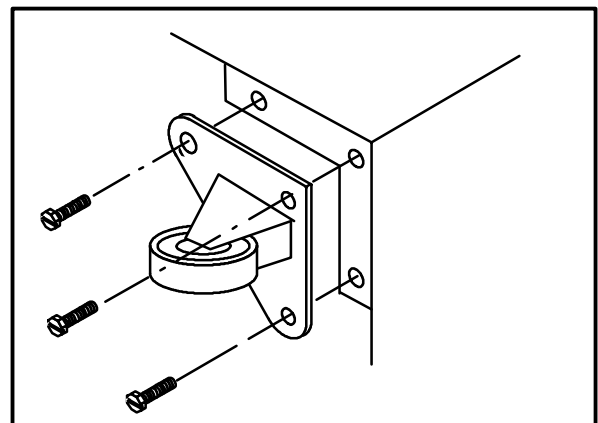


Figure 6



Installation

Oven Assembly

DOUBLE SECTION ASSEMBLY

NOTE: Old style ovens refer to units with painted exposed rear angle. New style ovens refer to units with rear angle iron enclosed in steel.

The following instructions apply to stacking two new style ovens.

1. Secure the short legs to the bottom sections as described.
2. Place the upper section in position on top of the lower oven.
3. Attach the stacking brackets using the remaining 5/16" bolts shipped with the ovens.
4. Attach the flue connector.

The following instructions apply to stacking a new style oven on an old style oven.

1. Secure the short legs to the bottom sections as described.
2. Place the upper section in position on top of the lower oven.

3. Attach the stacking brackets using the remaining 5/16" bolts shipped with the ovens.
4. Drill a clearance hole for a 5/16" bolt in the angle iron of the old style oven. Use the holes in the stacking brackets as a pilot.
5. Attach the stacking brackets to the old style oven with the 5/16" bolts and nuts provided in the kit.
6. Attach the flue connector.



WARNING!!

When stacking ovens be sure to remove the single oven flue boxes prior to attaching three-piece connector.

OVEN LEVELING

After assembly, the oven should be leveled and moved to the operating location.

1. The oven can be leveled by adjusting the feet or casters located on the bottom of each leg.

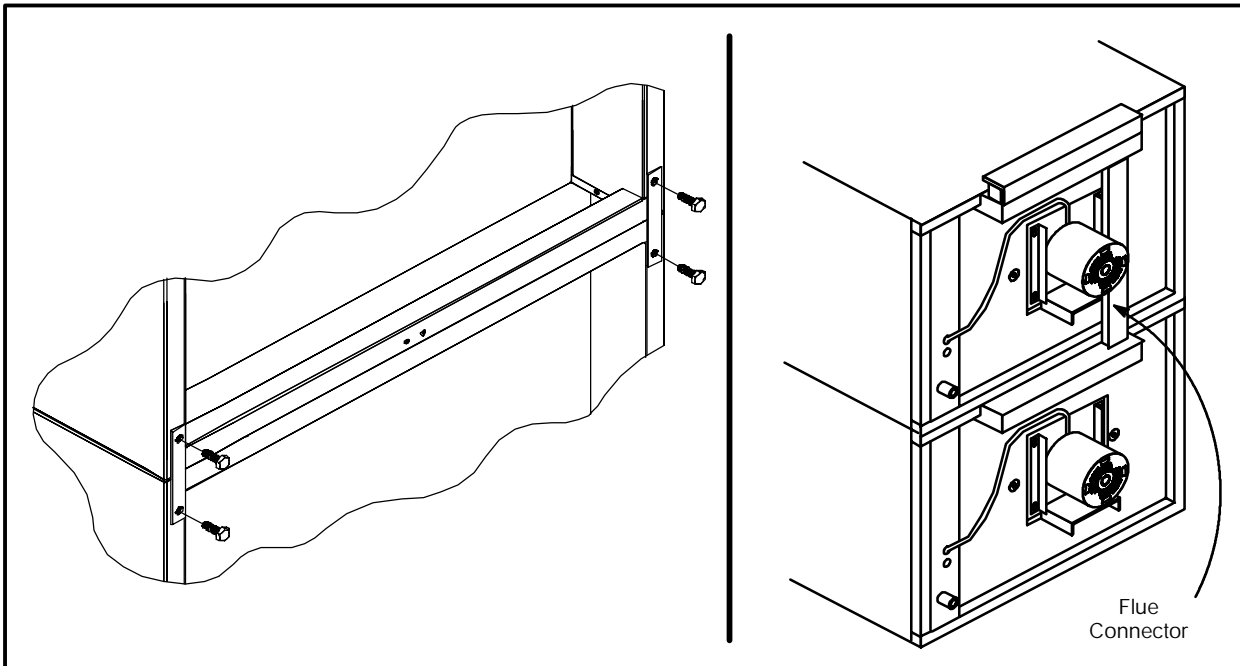


Figure 7



Single Speed Blower

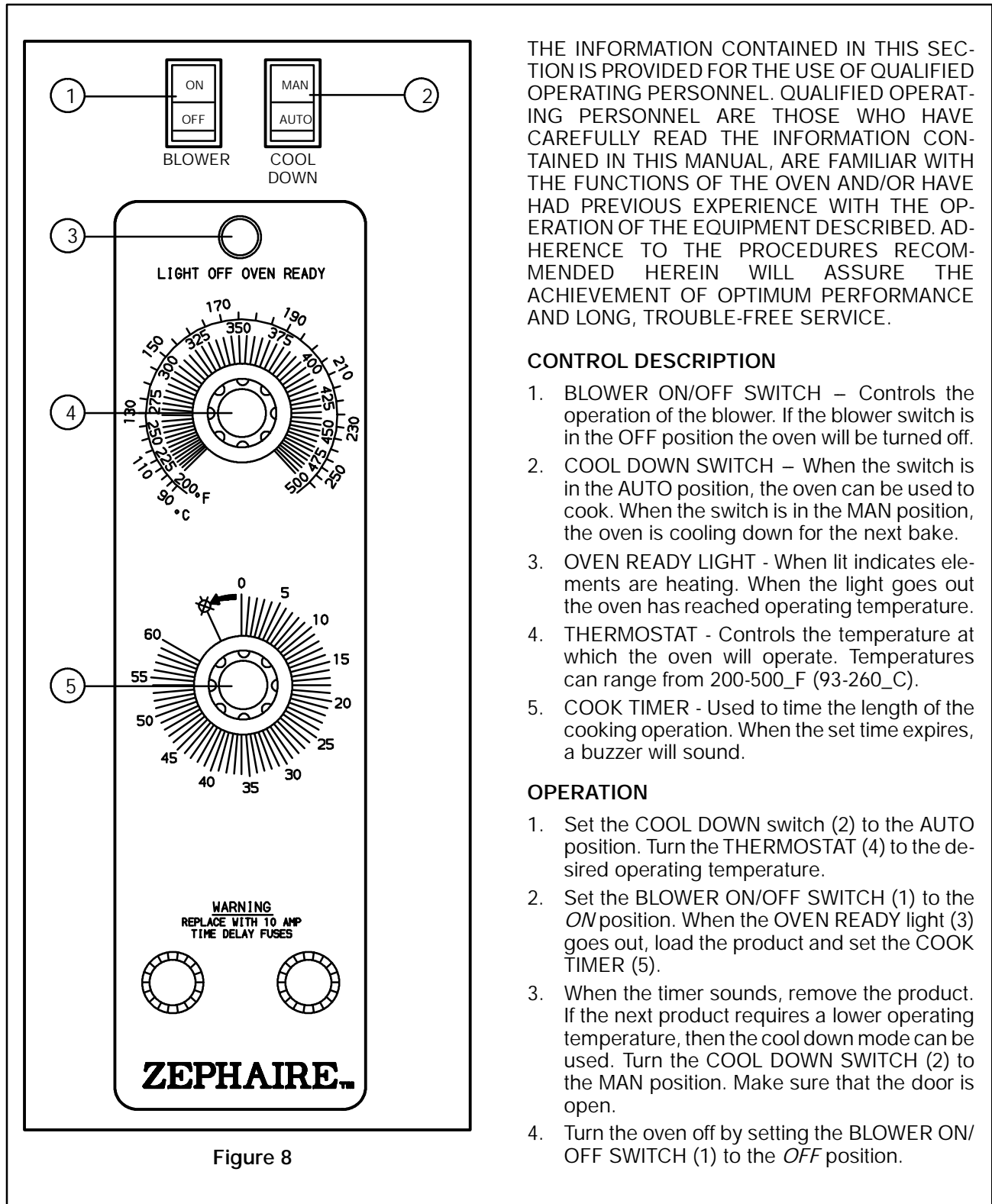


Figure 8

THE INFORMATION CONTAINED IN THIS SECTION IS PROVIDED FOR THE USE OF QUALIFIED OPERATING PERSONNEL. QUALIFIED OPERATING PERSONNEL ARE THOSE WHO HAVE CAREFULLY READ THE INFORMATION CONTAINED IN THIS MANUAL, ARE FAMILIAR WITH THE FUNCTIONS OF THE OVEN AND/OR HAVE HAD PREVIOUS EXPERIENCE WITH THE OPERATION OF THE EQUIPMENT DESCRIBED. ADHERENCE TO THE PROCEDURES RECOMMENDED HEREIN WILL ASSURE THE ACHIEVEMENT OF OPTIMUM PERFORMANCE AND LONG, TROUBLE-FREE SERVICE.

CONTROL DESCRIPTION

1. BLOWER ON/OFF SWITCH – Controls the operation of the blower. If the blower switch is in the OFF position the oven will be turned off.
2. COOL DOWN SWITCH – When the switch is in the AUTO position, the oven can be used to cook. When the switch is in the MAN position, the oven is cooling down for the next bake.
3. OVEN READY LIGHT - When lit indicates elements are heating. When the light goes out the oven has reached operating temperature.
4. THERMOSTAT - Controls the temperature at which the oven will operate. Temperatures can range from 200-500_F (93-260_C).
5. COOK TIMER - Used to time the length of the cooking operation. When the set time expires, a buzzer will sound.

OPERATION

1. Set the COOL DOWN switch (2) to the AUTO position. Turn the THERMOSTAT (4) to the desired operating temperature.
2. Set the BLOWER ON/OFF SWITCH (1) to the ON position. When the OVEN READY light (3) goes out, load the product and set the COOK TIMER (5).
3. When the timer sounds, remove the product. If the next product requires a lower operating temperature, then the cool down mode can be used. Turn the COOL DOWN SWITCH (2) to the MAN position. Make sure that the door is open.
4. Turn the oven off by setting the BLOWER ON/OFF SWITCH (1) to the OFF position.



Operation

Single Speed Blower with Cavity Lights

CONTROL DESCRIPTION

1. CAVITY LIGHTS ON/OFF – Operates the oven cavity lights.
2. BLOWER ON/OFF SWITCH – Controls the operation of the blower. If the blower switch is in the OFF position the oven will be turned off.
3. COOL DOWN SWITCH – When the switch is in the AUTO position, the oven can be used to cook. When the switch is in the MAN position, the oven is cooling down for the next bake.
4. OVEN READY LIGHT - When lit indicates elements are heating. When the light goes out the oven has reached operating temperature.
5. THERMOSTAT - Controls the temperature at which the oven will operate. Temperatures can range from 200-500_F (93-260_C).
6. COOK TIMER - Used to time the length of the cooking operation. When the set time expires, a buzzer will sound.

OPERATION

1. Set the COOL DOWN switch (3) to the AUTO position. Turn the THERMOSTAT (5) to the desired operating temperature.
2. Set the BLOWER ON/OFF SWITCH (2) to the ON position. When the OVEN READY light (4) goes out, load the product and set the COOK TIMER (6).
3. When the timer sounds, remove the product. If the next product requires a lower operating temperature, then the cool down mode can be used. Turn the COOL DOWN SWITCH (3) to the MAN position. Make sure that the door is open.
4. Turn the oven off by setting the BLOWER ON/OFF SWITCH (2) to the OFF position.

Figure 9

Dual Speed Blower

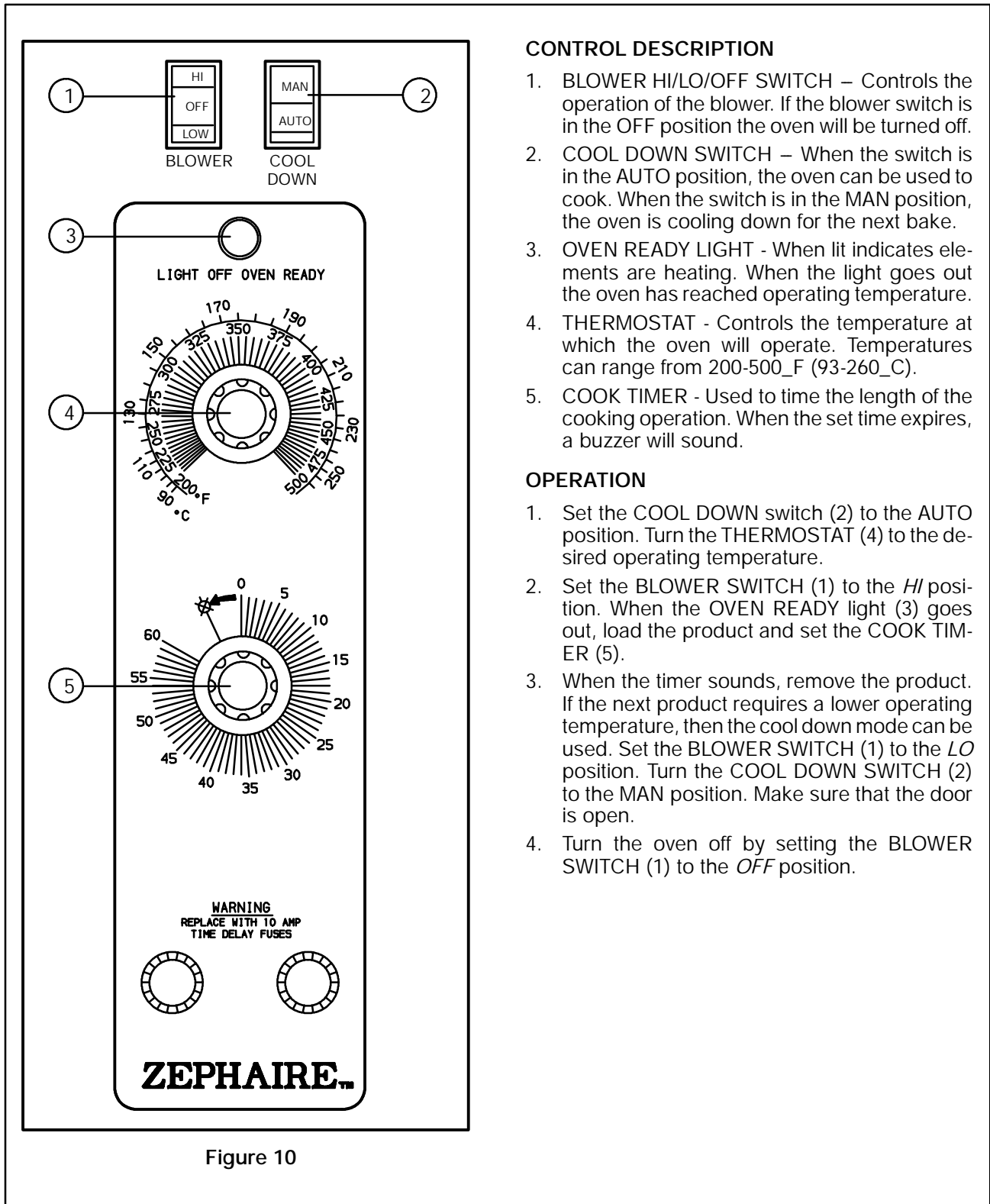


Figure 10



Operation

Dual Speed Blower with Cavity Lights

CONTROL DESCRIPTION

1. CAVITY LIGHTS ON/OFF – Operates the oven cavity lights.
2. BLOWER HI/LO/OFF SWITCH – Controls the operation of the blower. If the blower switch is in the OFF position the oven will be turned off.
3. COOL DOWN SWITCH – When the switch is in the AUTO position, the oven can be used to cook. When the switch is in the MAN position, the oven is cooling down for the next bake.
4. OVEN READY LIGHT - When lit indicates elements are heating. When the light goes out the oven has reached operating temperature.
5. THERMOSTAT - Controls the temperature at which the oven will operate. Temperatures can range from 200-500_F (93-260_C).
6. COOK TIMER - Used to time the length of the cooking operation. When the set time expires, a buzzer will sound.

OPERATION

1. Set the COOL DOWN switch (3) to the AUTO position. Turn the THERMOSTAT (5) to the desired operating temperature.
2. Set the BLOWER SWITCH (2) to the HI position. When the OVEN READY light (4) goes out, load the product and set the COOK TIMER (6).
3. When the timer sounds, remove the product. If the next product requires a lower operating temperature, then the cool down mode can be used. Set the BLOWER SWITCH (2) to the LO position. Turn the COOL DOWN SWITCH (3) to the MAN position. Make sure that the door is open.
4. Turn the oven off by setting the BLOWER SWITCH (2) to the OFF position.

Figure 11

General Guidelines for Operating Personnel

COOK TIMES AND TEMPERATURES

Preheating the oven

Always preheat the oven before baking or roasting. We recommend preheating 50_F (10_C) above the cook temperature to offset the drop in temperature when the doors are opened and cold product is loaded into the oven. Set the thermostat to the cook temperature after the product is loaded.

NOTE: For frozen product, preheat the oven 100_F (38_C) above the cook temperature.

Cook Temperatures

Generally, cook temperatures should be 50_F (10_C) lower than deck or range oven recipes. Use this as a starting point and adjust the temperature as necessary. If the edges of the product are done but the center is raw, or if there is color variation, reduce the thermostat setting another 15–25_F (10–15_C). Continue to reduce the cook temperature on successive loads until the desired results are achieved.

NOTE: Cooking at excessive temperatures will not reduce cook time, it will produce unsatisfactory baking and roasting results.

Cook Time

Check the product in about half the time recommended for deck or range oven recipes. Record times and temperatures which provide best results for future reference.

NOTE: Cook time will vary with the amount of product loaded, the type of pan and the temperature.

OPERATING TIPS

Pans and Racks

Product or pan height determines how many racks are used. The oven holds up to 10 18" x 26" (45.7 x 66.0 cm) bun pans.

Load the oven from the bottom, centering the pans on the rack. Never place a pan or aluminum foil on the bottom of the oven. This obstructs the flow of air and results in uneven baking and roasting.

Roasting

To reduce shrinkage when roasting, place meat directly on the racks. Place a sheet pan one-half full of water in the bottom rack position. The water evaporates, increasing humidity in the oven chamber. The pan catches grease from the meat, making oven cleaning easier.

Baking

Weigh the product to ensure equal distribution in each pan. Varying amounts of product will cause uneven baking results.

Fans

The fan must be operating for the oven to heat. Use the Pulse Plus feature to allow light or liquid product to set in the pan and to avoid rippling towards the fan. If your oven is not equipped with this feature use the following procedure.

1. Preheat the oven 25_F (15_C) above the baking temperature.
2. Load the oven with product. Close the doors.
3. Set the thermostat to the baking temperature.
4. Turn the oven off.
5. Allow the product to set for 5–7 minutes with the fan off. The residual heat in the oven sets the product.
6. Turn the oven on for the remainder of the bake.

Lights

Turn the oven lights off when not viewing the product. Leaving the lights on for extended periods of time shortens the bulb life considerably.



Operation

Suggested Times and Temperatures

Product	Temperature	Time	# Shelves
Meats			
Hamburger Patties (5 per lb)	400_F (205_C)	8-10 mins.	10
Steamship Round (80 lb. quartered)	275_F (135_C)	2 hrs 45 mins.	2
Standing Rib Choice (20 lbs, trimmed, rare)	235_F (115_C)	2 hrs 45 mins.	2
Banquet Shell Steaks (10 oz. meat)	450_F (235_C)	7-8 mins.	5
Swiss Steak after Braising	275_F (135_C)	1 hr.	5
Baked Stuffed Pork Chop	375_F (190_C)	25-30 mins.	5
Boned Veal Roast (15 lbs.)	300_F (150_C)	3 hrs. 10 mins.	2
Lamb Chops (small loin)	400_F (205_C)	7-8 mins.	5
Bacon (on racks in 18" x 26" pans)	400_F (205_C)	5-7 mins.	10
Poultry			
Chicken Breast & Thigh	350_F (175_C)	40 mins.	5
Chicken Back & Wing	350_F (175_C)	35 mins.	5
Chicken (2 ¹ / ₂ lbs. quartered)	350_F (175_C)	30 mins.	5
Turkey Rolled (18 lb. rolls)	310_F (155_C)	3 hrs 45 mins.	3
Fish and Seafood			
Halibut Steaks, Cod Fish (frozen 5 oz)	350_F (175_C)	20 mins.	5
Baked Stuffed Lobster (2 ¹ / ₂ lb.)	400_F (205_C)	10 mins.	3
Lobster Tails (frozen)	425_F (220_C)	9 mins.	5
Cheese			
Macaroni & Cheese Casserole	350_F (175_C)	30 mins.	5
Melted Cheese Sandwiches	400_F (205_C)	8 mins.	10
Potatoes			
Idaho Potatoes (120 ct.)	400_F (205_C)	50 mins.	5
Oven Roasted Potatoes (sliced or diced)	325_F (165_C)	10 mins.	5
Baked Goods			
Frozen Berry Pies (22 oz)	325_F (150_C)	35 mins.	5 (30 pies)
Fresh Apple Pie (20 oz.)	350_F (175_C)	25-30 mins.	5 (30 pies)
Pumpkin Pies (32 oz.)	300_F (150_C)	30-50 mins.	5 (20 pies)
Fruit Crisp	300_F (150_C)	25 mins.	5
Bread (24 - 1 lb. loaves)	325_F (155_C)	30 mins.	3
Southern Corn Bread	375_F (190_C)	15-20 mins.	5
Baking Soda Biscuits	400_F (205_C)	6 mins.	5
Brown & Serve Rolls	350_F (175_C)	15 mins.	5
Sheet Cakes (5 lb. mixed batter per pan)	325_F (160_C)	16-18 mins.	5
Chocolate Cake	325_F (160_C)	20 mins.	5
Brownies	325_F (150_C)	15 mins.	5

NOTE: Actual times and temperatures may vary considerably from those shown above. They are affected by weight of load, temperature of the product, recipe, type of pan and calibration of thermostat. Should your recipe vary, write in your proven time and temperature for ready reference.



Cleaning and Preventative Maintenance

CLEANING THE OVEN

Stainless steel ovens may be kept clean and in good condition with a light oil.

1. Saturate a cloth, and wipe the oven when it is cold.
2. Dry the oven with a clean cloth.

On the stainless front or interiors, deposits of baked on splatter may be removed with any non-toxic industrial stainless steel cleaner. Heat tint and heavy discoloration may be removed with any non-toxic commercial oven cleaner.

1. Apply cleaners when the oven is cold. Always rub with the grain of the metal.

Keep liquid away from the light sockets, temperature probes, heating elements, etc. Avoid spraying the oven's electrical connections, thermostat and light bulb receptacles.

The porcelain interior can be cleaned with any commercial oven cleaner. Be sure caustic cleaning compounds DO NOT come in contact with the aluminized steel panel directly behind the blower wheel.

1. Remove the racks and rack supports from the oven.
2. Soak the parts in a solution of ammonia and water.
3. Reinstall after cleaning.

PREVENTATIVE MAINTENANCE

The best preventative maintenance measures are, the proper installation of the equipment and a program for routinely cleaning the ovens.

Annual Maintenance

This oven requires no lubrication, however, the venting system should be checked annually for possible deterioration resulting from moisture and corrosive flue products.

If maintenance or repairs are required, contact your local Blodgett service company, a factory representative or the Blodgett Oven company.



WARNING!!

Always disconnect the appliance from the power supply before servicing or cleaning.



Maintenance

Troubleshooting Guide

POSSIBLE CAUSE(S)	SUGGESTED REMEDY
SYMPTOM: Elements will not heat	
<ul style="list-style-type: none"> § Oven not plugged in. § Power switch on the control panel is off. § Control set below ambient temperature. § Doors are open. 	<ul style="list-style-type: none"> § Plug in electrical supply cord. § Set the control panel to COOK or OVEN ON. § Set to desired cook temperature. § Close doors.
SYMPTOM: Oven does not come to ready.	
<ul style="list-style-type: none"> § The oven has not reached preheat temperature. § Internal problem with main temperature control. 	<ul style="list-style-type: none"> § Wait for oven to reach preheat temperature. § *
SYMPTOM: Convection fan does not run.	
<ul style="list-style-type: none"> § Oven is not plugged in. § Circuit breaker tripped. § Doors are open 	<ul style="list-style-type: none"> § Plug in electrical supply cord. § Reset the breaker. § Close doors.
SYMPTOM: General baking problems.	
<ul style="list-style-type: none"> § Thermostat out of calibration. § Improper oven venting. 	<ul style="list-style-type: none"> § * § *
<p>* Denotes remedy is a difficult operation and should be performed by qualified personnel only. It is recommended, however, that All repairs and/or adjustments be done by your local Blodgett service agency and not by the owner/operator. Blodgett cannot assume responsibility for damage as a result of servicing done by unqualified personnel.</p>	



WARNING!!

Always disconnect the power supply before cleaning or servicing the oven.

**CUSTOMER
INSERT
WIRING DIAGRAM
HERE**