



22" Bio-ethanol Indoor/Outdoor Fireplace

Model # 64000

Distributed by:

Duraflame, Inc., Stockton, CA 95201

For questions about Assembly and Operating instructions or Warranty Claims contact Duraflame, Inc. Consumer Affairs

info@duraflame.com

1 (866) 552-3015

www.duraflame.com/illumina

Patents Pending

WARNING: If the information in this manual is not followed exactly, a fire or explosion may result, causing property damage, personal injury, or loss of life.

Do not store or use gasoline or other flammable vapors and liquids in the vicinity of this or any other appliance.

WHAT TO DO IN THE EVENT OF AN ALCOHOL SPILL: DO NOT light the burner. Extinguish any open flame near the spill. Wipe up the spill, and wait several minutes for the residue to evaporate.

WARNING: Improper installation, adjustment, alteration, service, or maintenance can cause injury or property damage. Refer to this manual for correct installation and operational procedures.

WARNING: This appliance is designed for installation only in a solid-fuel-burning masonry fireplace, a UL127 factory-built fireplace, or in an ANSI Z21.91 ventless firebox, or on a table or cabinet. There are no other standards for this type of appliance for other installations, thus be very careful and follow all directions for such installations.

This appliance may be installed in a fireplace or firebox approved for aftermarket, permanently located, manufactured (mobile) homes, where not prohibited by local codes.

This appliance is for use only with duraflame® illumina-fuel® or types of fuel indicated on the rating plate. This appliance is not convertible for use with other fuels, nor should you use illumina-fuel® with any product other than duraflame® illumina® fireplaces.

Save this manual for future reference.

TABLE OF CONTENTS

	page
I. Safety Information	3
II. Setup	5
III. Minimum Firebox Dimensions	7
IV. Clearances.....	7
V. Installing Damper Stop	7
VI. Installation	7
VII. Installing the Fuel Canister	10
VIII. Operation.....	10
IX. Refueling.....	12
X. Adjustments.....	13
XI. Maintenance	13
XII. Troubleshooting	15
XIII. Parts List.....	16
Warranty	17

I. SAFETY INFORMATION

IMPORTANT: Read this owner's manual carefully and completely before trying to assemble, operate, or service this appliance. Improper use of this appliance or failure to comply with the safety rules can cause serious injury or death from burns, fire, explosion, or carbon monoxide poisoning. Keep this manual. It should be read by all users of the appliance.

DANGER: Carbon monoxide poisoning may lead to death!

Carbon Monoxide Poisoning: Early signs of carbon monoxide poisoning resemble the flu, with headaches, dizziness, or nausea. If you have these signs, the appliance may not be working properly, and/or you do not have an adequately vented room. **Extinguish the appliance and get fresh air at once!** Some people are more affected by carbon monoxide poisoning than others. These include pregnant women, people with heart or lung disease or anemia, those under the influence of alcohol, and those at high altitudes.

WARNING: This appliance is designed to be placed in a variety of different locations inside and outside your house. Please follow the following instructions carefully to avoid any spilling of the fuel especially when the fuel is burning! Spilling burning fuel on our near combustible surface could cause a fire.

a- Do not place the appliance on the ground or floor. The appliance should be located on a sturdy table or non-combustible piece of furniture, with proper clearances away from other combustible materials.

b- When placed on a table or any other moveable furniture, make sure the furniture is sturdy and will not move if bumped by a person or a pet. Also, make sure it is placed away from curtains, clothing or any other combustible material.

c- When placed inside a fireplace make sure it is installed per instructions in this manual.

Never move this appliance while it is in operation or when there is still a flame in the burner (no matter how small the flame is). Moving the appliance while burning may cause spilling of fuel inside or outside the appliance which could result in a fire. Make sure the appliance has cooled down for at least 30 minutes after the flame is extinguished before moving.

WARNING: Any modifications to this appliance or its controls could be dangerous.

WARNING: Do not place this appliance on a combustible surface or on a surface that gets damaged by any ethanol that may drip out of the canister or this appliance.

WARNING: Do not allow fans to blow directly into the fireplace or onto this appliance. Avoid any drafts that alter burner flame patterns. (Ceiling fans could create such drafts.) Altered flame patterns could cause sooting.

WARNING: Do not use a blower insert, heat exchanger insert, or other accessory not approved for use with this appliance.

WARNING: Risk of explosion. Never use any fuel other than the fuels specifically identified for use in the appliance. Never use gasoline. Never use this appliance in areas where flammable vapors or gas may be present. Never store or transport the fuel in anything other than the original container that it came in. Store fuel in a cool and dry place away from heat sources.

WARNING: Risk of indoor air pollution. Use this appliance only in well-ventilated areas. People with breathing problems should consult a physician before using the appliance.

WARNING: Do not use this appliance to heat or boil water or use as a cooking appliance. Do not burn trash or any other material in or on the appliance.

Due to high temperatures, this appliance should be installed and used only in an approved fireplace or firebox away from flammable objects (curtains, clothing, rugs, furniture, etc.). Flammable objects should not come into contact with the appliance or the flames. Keep them at least three feet away. Never place any objects on the appliance or inside the burner.

The appliance becomes very hot when in operation. Keep children and adults (and pets) away from flames and hot surfaces to avoid burns or clothing ignition. The appliance will remain hot for a time after shutdown. Allow the appliance to cool for at least 30 minutes before touching it. Carefully follow instructions for refueling while appliance is in use.

Never leave children unattended and carefully supervise young children when they are in the room where this appliance is in use.

When installed in a fireplace, you must operate this appliance with a fireplace screen in place. Make sure the fireplace screen is closed while running the appliance.

Keep the appliance area clear and free from combustible materials, gasoline, and other flammable vapors and liquids.

This appliance is for decorative purposes only and should not be used as a heater.

Do not store the duraflame illuma-fuel® canisters near the appliance. Store illuma-fuel tightly closed in its original canister in a dry, cool place, out of direct sunlight and away from heat sources, flammable objects and open fires, and out of the reach of children. If swallowed, seek medical attention immediately. In case of contact with eyes, flush immediately with cool water for 15 minutes and seek medical attention. For contact with skin, rinse well with cool water. If irritation develops, see your doctor.

Do not remove a duraflame illuma-fuel canister from the appliance until the canister is completely empty.

WHAT TO DO IN THE EVENT OF A FUEL SPILL OR FUEL LEAK: DO NOT light the burner.

Extinguish any open flame near the spill. Wipe up the spill, and wait at least 5 minutes for the residue to evaporate. In addition to the potential for fire, spilled duraflame illuma-fuel can damage some surfaces like wood and leather. Wipe up any spills immediately.

Install this appliance in compliance with the laws of your local jurisdiction. This appliance shall not be installed in a bedroom or bathroom, unless installed as a vented appliance inside a vented fireplace. Do not install this appliance in trailers, boats or vehicles.

If a gas line has been run to your fireplace, all gas connections must be disconnected by a qualified service technician prior to installing this appliance.

The appliance must be set on a level surface in your fireplace firebox or table.

This appliance has not been tested for use with fireplace glass doors. To reduce the risk of fire or injury, do not install or use glass doors with this appliance when installed in a fireplace. If the fireplace has glass doors, never operate the appliance with the glass doors closed. Heat buildup within the fireplace could cause the glass doors to break or burst, or cause the release of harmful combustion products into the living area.

If the fireplace has vents at the bottom, the vents must be opened before running the appliance.

This appliance is designed to be smokeless. If the unit emits smoke, extinguish the appliance (by turning the knob on the side – see Section VIII. OPERATION), wait for the appliance to cool down for at least 30 minutes, and check for any debris that may be causing the smoke. Note: During initial operation, slight smoking might occur due to the burning off of manufacturing residues. This is a normal condition.

Do not use cleaning materials or agents such as furniture polish, wax, carpet cleaner, or similar products in the room where the appliance is located while the appliance is in use. If heated,

the vapors from these products can create a white powdery residue within the burner box or on adjacent walls or furniture.

Do not operate this appliance where flammable liquids or vapors are used or stored, or in a dusty environment.

If water has entered the burner reservoir of the appliance, ensure that the water has been emptied from the appliance before use. Water can dilute the duraflame illuma-fuel and affect the performance of the appliance.

Do not use the appliance if there is visible damage. If you see damage, contact the store where purchased or Duraflame's customer service. Do not attempt to repair the appliance yourself. Do not use your appliance if it has been modified in any way.

Turn off the appliance and let it cool before servicing or repairing it.

An open fire is always a potential hazard. You must have a Class B fire extinguisher near the fireplace in case of fire.

Do not dismantle the burner. Do not insert any other fuel canister into the burner.

This appliance must be operated using only authorized accessories and equipment.

Do not move the appliance while it is burning. This could cause burning fuel to spill and result in injury or a fire.

Do not put anything into the flames of the appliance. This could cause sooting and the creation of harmful combustion products.

Do not put your head over the burner while lighting it. Keep all body parts safely away from the device while igniting and while the appliance is in use.

Do not leave the appliance burning unattended. Extinguish the flames before you leave the house, go to bed, or leave the room for an extended period of time. Never leave children unattended near the appliance while it is in use.

Extinguish the flames by rotating the knob on the side – this will close the burner cover and extinguish the flames. Do not attempt to blow out the flames. Never use water to extinguish the flames. This could cause an explosion. The cover will be extremely hot. Do not obstruct the sliding cover of the snuffer device in any way as this could interfere with your ability to extinguish the flames.

Keep packing materials away from children, as they could be a choking or suffocation hazard.

In case of burns, seek treatment from your doctor or hospital.

Duraflame accepts no responsibility for any damage that might result if this appliance is improperly installed, incorrectly operated, used for purposes other than that for which it is intended, or if it is repaired by unqualified persons.

II. SETUP

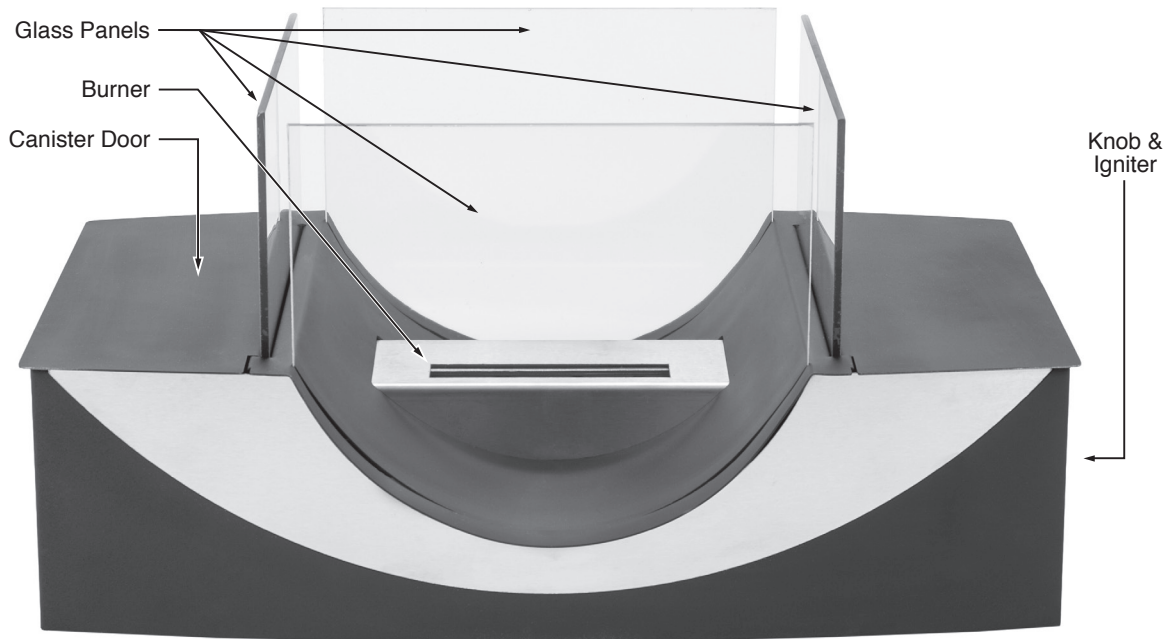
CAUTION: Do not remove the metal data plate (rating plate) that is attached to the inside of the door of the appliance. It contains important product information.

WARNING: Before installing this appliance in a solid-fuel-burning fireplace, the chimney flue and firebox must be cleaned of soot, creosote, ashes, and loose paint by a qualified chimney cleaner. Creosote will ignite if highly heated. Inspect the chimney flue for damage. If damaged, operate the appliance with the flue damper closed.

WARNING: Seal any fresh air vent or ash clean-out doors located on the floor or walls of the fireplace. Failure to do so may result in drafts that could cause sooting. Use a heat-resistant sealant. Do not seal the chimney flue damper.

WARNING: Never install this appliance in a bedroom or bathroom unless installed as a vented appliance in a recreational vehicle where curtains, furniture, clothing, or other flammable objects are less than 42 inches from the front, top, or sides of the appliance or in high traffic areas or in windy or drafty areas.

CAUTION: This appliance creates warm air currents that heat the wall surfaces next to the appliance. Installing the appliance next to vinyl or cloth wall coverings or furniture, or operating the appliance where impurities in the air (such as tobacco smoke, aromatic candles, cleaning fluids, oil or kerosene lamps, etc.) exist, may discolor the walls and furniture.



**Figure 1
Appliance Overview**

Install this appliance in compliance with all local building codes. In the absence of local codes, use the latest edition of *The National Fuel Gas Code* (ANSZ223.1, also known as NFPA54), available from:

American National Standards Institute
25 West 43rd Street, 4th floor
New York, NY 10036

OR

National Fire Protection Association, Inc.
1 Batterymarch Park
Quincy, Massachusetts USA 02169-7471

This appliance is designed to burn with very low emissions, so that it requires no outside venting (“ventless” or “vent-free” operation). It can be installed and used in a fireplace with the flue damper closed, as long as the room in which it is installed is adequately ventilated (see Section II, Air for Ventilation and Combustion). State and local codes in some areas prohibit the use of vent-free heaters. Check the building codes in your jurisdiction before installation. This appliance also may be operated as a vented decorative product by opening the flue damper of the fireplace. **IMPORTANT:** Vent-free appliances add moisture to the air. Although this is beneficial, installing the appliance in rooms without enough ventilation may cause mildew to form from too much moisture (see Section II, Air for Ventilation and Combustion).

III. MINIMUM FIREBOX DIMENSIONS

WARNING: Maintain or exceed the minimum clearances.

IV. CLEARANCES (Vent-free operation only)

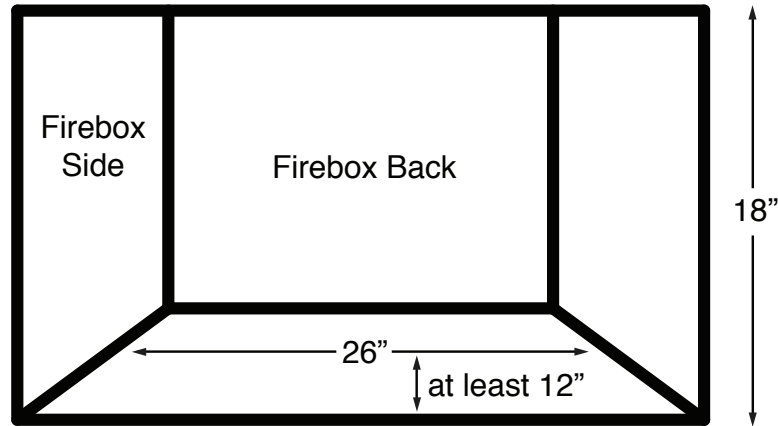


Figure 2
Minimum Dimensions of Firebox

WARNING: Maintain or exceed the minimum clearances.

V. INSTALLING DAMPER STOP (Vented operation)

For vented operation of this appliance, a damper stop must be installed in the fireplace to prevent full closure of the damper blade. The damper stop must be adjusted to provide a minimum flue opening of 29 square inches. You can obtain a damper stop at your local hearth products dealer or hardware store.

WARNING: The fireplace and burner function as a system. If the fireplace is spilling combustion gases into the room (check draft with a match, candle or smoke stick), reposition the damper clamp to open the damper wider, until a positive draft (i.e. all combustion emissions go up the chimney) is obtained.

VI. INSTALLATION

1. Carefully remove the contents of the carton. You should find:
 - The burner / base (Figure 1)
 - Four (4) tempered glass panes.
 - Two (2) appliance base screws and two (2) small pieces of flat metal (hold downs) inside a small bag.
 - One (1) AA battery.If components are missing, contact Duraflame Consumer Affairs.
2. Remove all these components from their packaging. Keep packing materials away from children, as they could be a choking or suffocation hazard.

3. Check each component for shipping damage. If components are damaged, contact the store where purchased or Duraflame, Inc.
4. a1. If installing this unit in a firebox, check the firebox dimensions to ensure that they are at least equal to the minimum dimensions shown in Figure 2. The minimum clearances that the appliance originally required will be adequate for this installation. You will need the two (2) ¼" x 1 ½" masonry screws and the two hold downs provided for this step. Orient the unit so the door is on the left and the igniter and shutoff knob are on the right. Remove the two back legs by unscrewing them. Install the two hold downs on each leg and reinstall the back legs. Place the burner / base in a solid-fuel-burning masonry fireplace, a UL127 factory-built fireplace, or an approved (to ANSI Z21.92) ventless firebox, centered left to right on a level surface. When it is positioned properly, mark the screw locations through the screw-down holes in the hold downs. If you are installing the appliance in a brick-bottomed fireplace, mark the screw locations in a mortar joint between the bricks. Remove the appliance, and drill holes at the marked locations using a 3/16" masonry drill bit. Replace the appliance, and attach it to the fireplace floor using the masonry screws. a2. For this appliance to function properly, the burner / base must be stable and level. If the floor of your fireplace is uneven or out of level, you must unscrew or screw down the legs so the unit ends up level and not wobbly. a3. Install the four glass panes in the slots on the unit (see Figures 3-6). The small panes go on the sides and the large panes go in the front and back. a4. As an option you can place loose decorative glass or small rocks in the areas between the front glass (or back glass or both) and the burner. Make sure the top level of the loose material is not higher (could be lower) than the top of the burner. The material has to be larger than 3/16" in size and smaller than 1" in size for each piece. These materials could be purchased from your supplier or at the store you bought the unit from and could be made from glass or stone as long as they are non combustible and they can withstand high temperatures.
5. If installing this unit on a table or cabinet, make sure the surface the appliance is placed on is non combustible and can withstand a temperature of at least 150°F without discoloring. If the appliance is placed on a table, make sure the table is sturdy and does not move or wobble to make sure that the ethanol that is burning does not spill if somebody bumps into the table by mistake. Also make sure the table has at least two feet of surface space between the edge of the appliance and the edge of the table on all sides. Make sure the unit is installed away from traffic and that children or pets do not come close to it. The unit gets hot and contains combustible fluid in it that could spill if bumped.
6. Next step is to install the battery into the igniter. The igniter is on the right side of the appliance in the middle side(see Figure 1). The button and front cover of the igniter twists off (see Figure 1). Twist the front off, install the battery and twist the front back on. Push the button and you should hear the sparkers creating the sparks. If you do not hear or see the sparks, you either have a dead battery or you did not install the battery properly. If after remedying both issues the sparkers still does not create a spark, contact the installer, the store where you purchased the product or Duraflame, Inc.

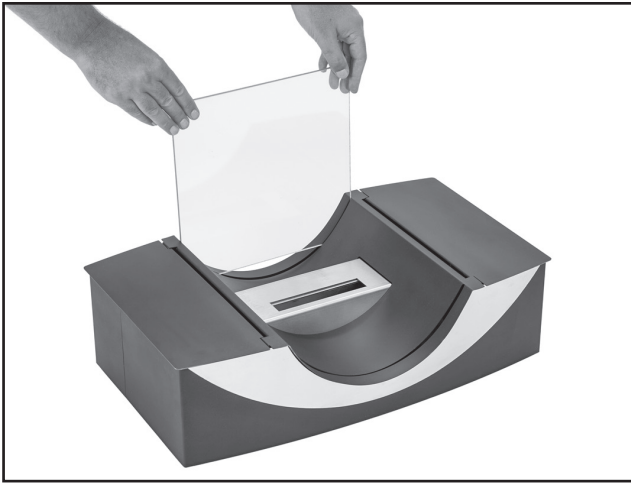


Figure 3
Placement of rear glass panel

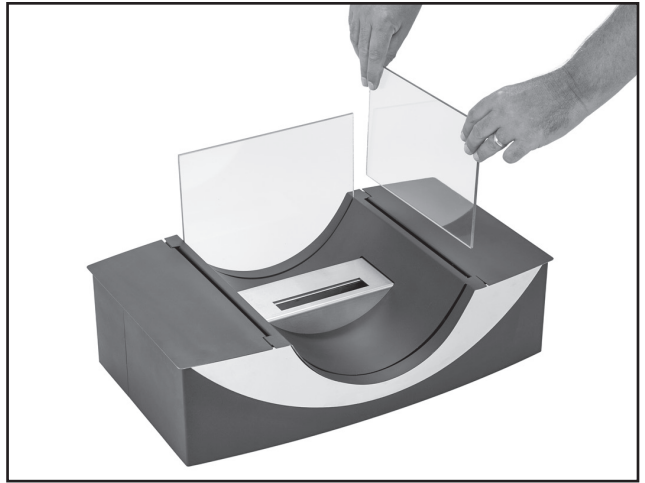


Figure 4
Placement of right glass panel

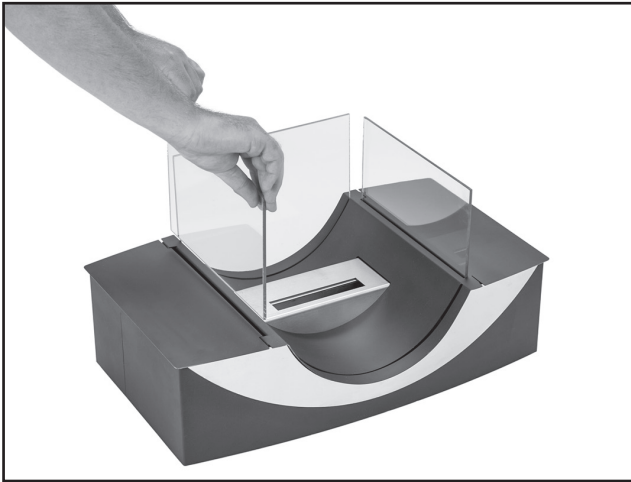


Figure 5
Placement of left glass panel

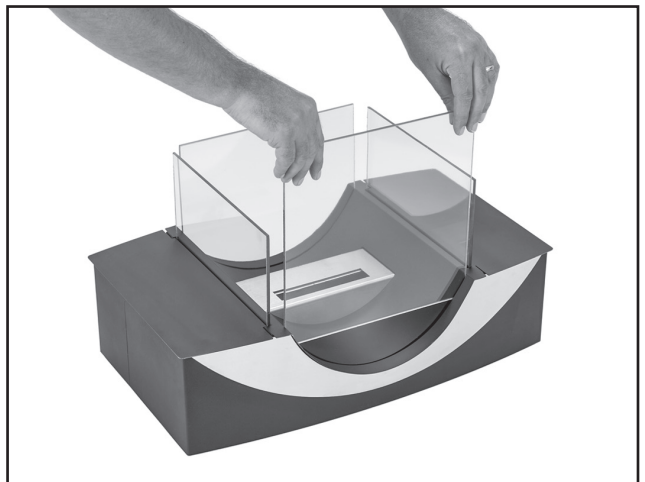


Figure 6
Placement of front glass panel

VII. INSTALLING THE FUEL CANISTER

NOTE: Use only 1 liter duraflame® illuma-fuel® bio-ethanol canisters with this appliance. The canisters are recyclable but NOT refillable.

1. Open the door on the left side of the appliance (see Figure 7).
2. Remove the child resistant screw cap from a canister of illuma-fuel (by pushing down on it and twisting at the same time) to expose the foil seal covering the opening of the canister. **DO NOT REMOVE THE FOIL SEAL.**
3. Invert the canister and position it so that the left end fits under the bracket at the back end of the canister tray (see Figure 8). Lower the canister so that the neck is aligned with the piercer hole in the tray at the bottom of the fuel canister compartment. Push down firmly on the canister until the piercer punctures the foil seal and the canister is seated firmly on the tray. To assist the flow of illuma-fuel from the canister, wiggle the canister back and forth slightly on the piercer. You might hear a soft gurgling noise as the fuel from the canister begins to fill the burner—this is normal.
4. After the canister has been installed, leave it in place and close the door. The appliance is now ready for use. At this point the canister still contains fuel and should not be removed until the canister is completely empty. The canister automatically feeds more fuel into the burner after the fuel is ignited and starts burning. This continues until all the fuel is used from the canister. The burner will continue to burn for a while after the canister is empty. At some point the flame will move to the right side of the burner to indicate that the fuel is about to run out. You can refuel the appliance at this time (see Section IX) or let the flame die down.

VIII. OPERATION

WARNING: If you do not follow these instructions exactly, a fire may result, causing property damage, personal injury or loss of life.

NOTE: During initial operation of the new appliance and at the beginning of each burn season, the appliance may emit a slight odor. This is normal, and the odor will dissipate after a few hours. Open a window or the fireplace damper to vent the odor, if you find it unpleasant. This will not occur in subsequent use.

NOTE: Before burning the appliance for the first time, install a canister of duraflame® illuma-fuel®, let the fuel sit in the burner for five minutes, and check to ensure there aren't any leaks below and around the front appliance (see Figure 10).

1. Use the knob (located at the right side of the appliance – Figure 9) to slide the snuffer device or burner cover to the rear of the burner. Be sure that the cover is slid back far enough to fully expose the burner slot.
2. Install a canister.
3. Wait a few minutes then push the igniter button located on the right side. The burner should light. If it does not, hold down the igniter button until it does. You may need to wait a minute or so to allow the duraflame illuma-fuel to drain into the burner reservoir and reach the right level before you push the sparker button. Initially, the flames might be low with a bluish hue. The flames should grow in height and become yellow and orange as the fuel heats up. Make sure that your head and face are not above the appliance when you are lighting it. NOTE: If the fireplace is very cold or the temperature of the fuel is very low, the fuel may not ignite by using the igniter. If this occurs, please use a long match or long butane lighter to ignite the fuel.



Figure 7
Door on side open

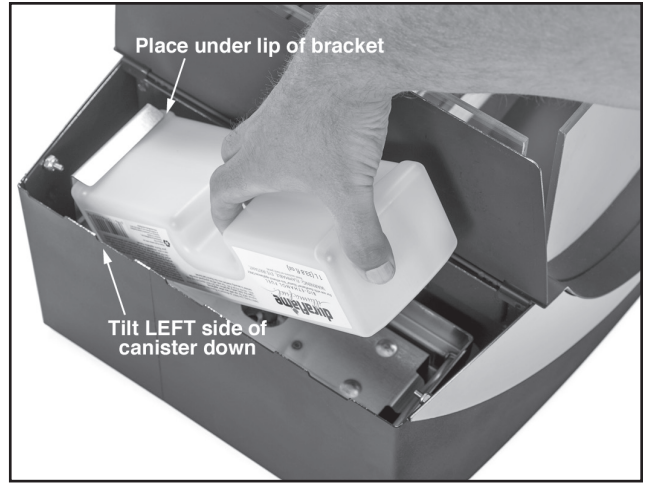


Figure 8
Proper placement of canister

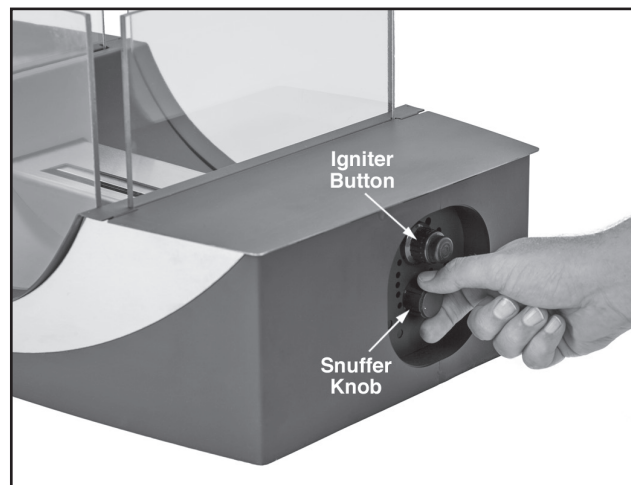


Figure 9
How to operate snuffer

4. To extinguish the flames, grasp the snuffer knob, and turn it towards you to move the burner cover forward. The slot must be completely covered to extinguish the flames. This appliance can be relit at any time—even immediately after extinguishing, if desired, using the igniter. However, if the fuel is hot or even warm the fuel may not ignite using the sparker because the fuel is evaporating at a higher rate than usual and creates an oxygen free environment around the sparker. If that happens, either wait for a while for the fuel to cool down or ignite the fuel in the burner using a long match or a butane igniter. In case you use a match or igniter when the fuel is hot, be careful not to have your face near the burner, because the fuel will ignite quickly.

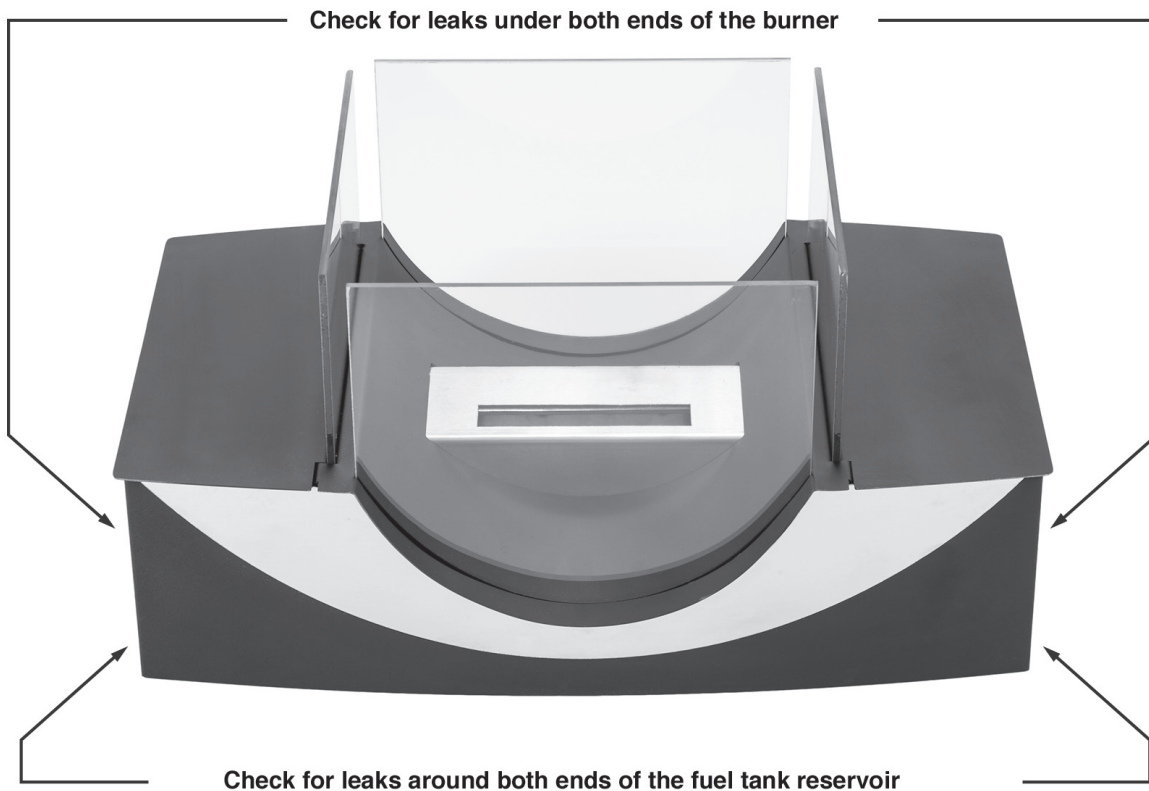


Figure 10
Check for leaks on the floor of the fireplace under the areas indicated.

IX. REFUELING

This appliance is designed so that one canister of illuma-fuel® (1 Liter) will provide a continuous supply of fuel to the burner for about two hours and thirty minutes*. To allow for uninterrupted burning beyond this time, the burner has been designed so that a few minutes before the fuel is completely exhausted, the flame will start to shift to the right side of the burner. At this point, you can replace the empty canister with a full one. This can be done while the appliance is burning—there is no need to extinguish the flames.

To change the canisters :

1. Open the door on the left side of the appliance. The open door acts as a flame shield. Please note that even though the area indicated in Figure 11 is cool, areas of the door closer to the flame may be hot.
2. Check the fuel canister and make sure **IT IS EMPTY**.
3. Grasp the empty canister by the notches provided in the canister body (see Figure 11). Pull it up and tip it so that it clears the bracket (make sure the back side of the canister is tipped so it is lower than the frontside) and then lift it straight up to remove it. Keep the canister away from the flames. Keep canister tilted down on the left side while removing it. This will ensure that any small amount of fuel that may still be in the canister does not spill out. **DO NOT ALLOW THE CANISTER TO GET CLOSE TO THE FLAMES.**
4. Install a new, foil-sealed canister as described above (see **INSTALLING THE FUEL CANISTER**, Steps 2 and 3).
5. After the canister has been installed, close the door. The appliance is now ready for continued use.

6. If the flame is out by this time, use the igniter to start it again.

***NOTE: Burn times will vary depending on conditions such as temperature, draft and how level the surface is.**



Figure 11
How to remove canister when fire is burning

X. ADJUSTING BURN TIME

You can extend the burn time and flame height of the fire. Experiment with different settings by slowly moving the snuffer forward as you would when you want to extinguish the flame (see Section IX Step #4), but do not cover the burner completely, or the fire will be extinguished. By moving the snuffer partially over the burner, the burn time will be extended. For maximum flame height and minimum burn time, push the snuffer all the way to the back.

XI. MAINTENANCE

WARNING: Extinguish the appliance and let it cool at least 30 minutes before cleaning.

CAUTION: Periodic cleaning is necessary to ensure proper functioning of this appliance. The appliance might need more frequent cleaning due to excessive lint from carpeting, bedding material, pet hair, etc.

The only maintenance needed for the continued good performance of this appliance is periodic cleaning, at least once per year or more depending on frequency of use, and checking for leaks. Note that after some time, heat might cause the stainless steel burner to discolor slightly. This is natural. To clean the appliance:

1. Allow the flames to die out naturally by consuming all the fuel in the canister and burner. This will ensure that there is only residual alcohol in the burner. Also, the burner is quite hot while in operation. Wait at least 30 minutes after the flames have died out before cleaning the appliance.
2. Metal components of the appliance should be cleaned using a damp cloth and a mild dish detergent. Never use abrasive cleaners, as they can damage the metal.
3. Lift out the piercer and clean underneath.
4. Clean the area inside the burner. Be very careful when doing so, because the top edges of the

burner may be very sharp.

5. Make sure that all parts of the appliance are returned to their proper operating positions by following assembly instructions. Ensure the piercer is installed properly (see Figure 12). The top surface of the piercer should be level. If it is higher on the back end or on one side, then turn it around and place it back in place again.
6. Check for leaks by installing a fuel canister into the appliance and letting it sit for five minutes. Check for leaks in the areas shown in Figure 10 before igniting the fuel.

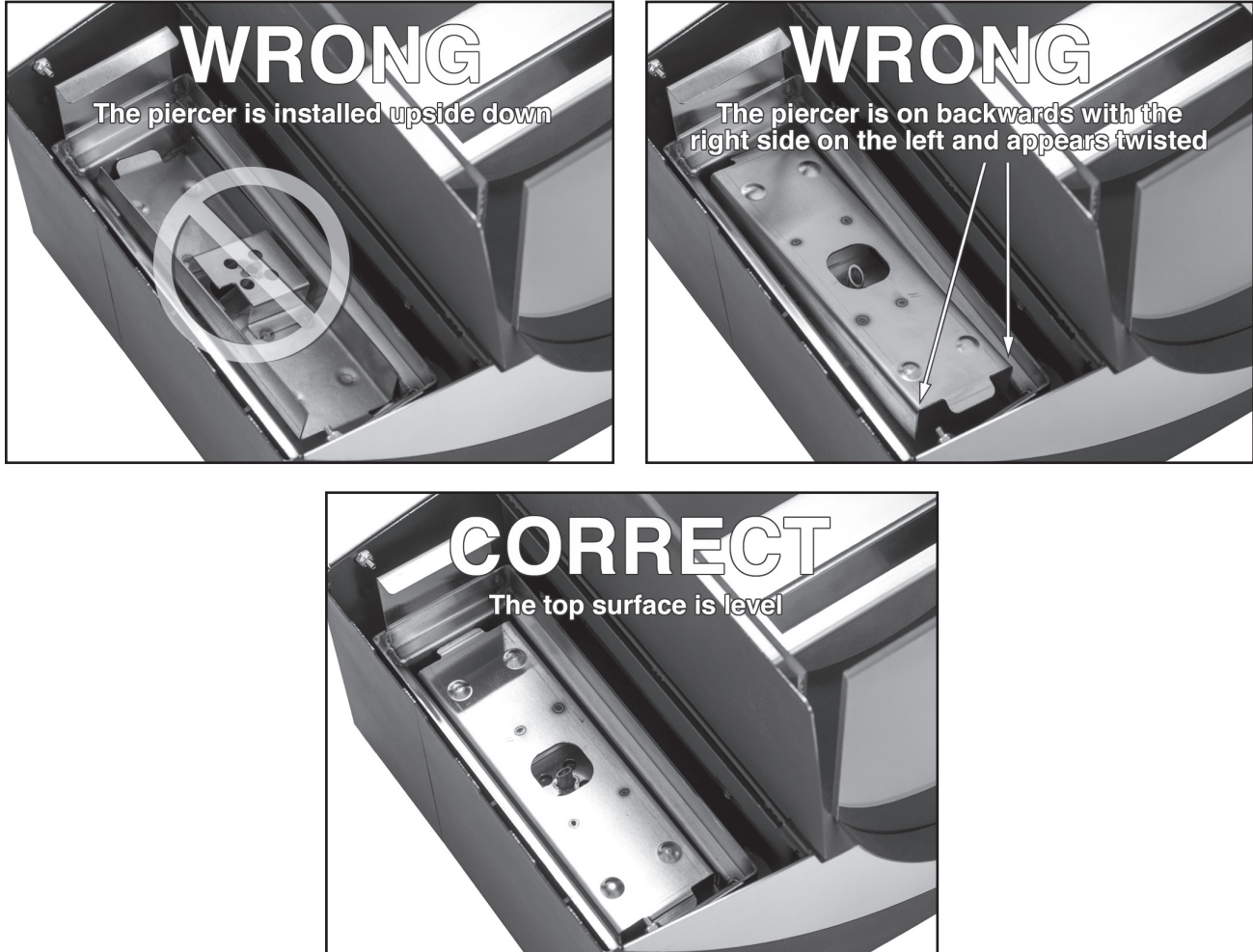


Figure 12
How to install piercer

XII. TROUBLESHOOTING

Use the following guide to solve any problems you might encounter in operating this appliance.

PROBLEM

1. You see fuel on the ground near the appliance.

2. You do not see fuel in the burner prior to lighting the appliance and after installing a canister.

3. You push the igniter button but the appliance does not light.

SOLUTION

- DO NOT light the burner. Extinguish any open flame near the spill. Wipe up the spill, and wait several minutes for the residue to evaporate. If you see no additional fuel on the ground, you may light the burner. If you see additional fuel on the ground, you might have a leak. DO NOT use this appliance if it leaks fuel.
- The appliance may not be level. Check to make sure the appliance is level, and shim under the grate legs or rear support, if necessary. Shim only with metal washers or other non-flammable objects.
- A small piece of foil that covers the opening of the illuma-fuel® canister might be obstructing the piercer tube. Open the fuel canister door on the left side of the appliance. Gently wiggle the fuel canister left to right and front to rear on the fuel canister tray to enlarge the opening in the foil. DO NOT lift the illuma-fuel canister from the tray, as this could cause a fuel spill.
- The tubes connecting the burner to the fuel reservoir might be clogged. Starting at the tube opening in the bottom of the burner, run a thin, flexible wire through the length of the tube to remove the obstruction.
- The battery in the igniter may be dead. Replace it with a new battery
- The sparker tip may be out of position. The tip of the sparker should be about ¼” above the level of the sparking point. Carefully bend the wire so that the tip of the sparker wire is in this position
- The fuel is cold or the appliance is cold. Use a long match or a long butane lighter to ignite the fuel.
- If the fuel is hot, the fuel vapors stop oxygen from being in the vicinity of the spark. Thus not allowing the fuel to ignite. Wait until the fuel is cool or relight the appliance using a long match or a long nosed butane igniter.

XIII. PARTS LIST

Part Numbers

64001 Small Glass

64002 Large Glass

61002 Igniter

61007 Canister Tray & Piercer

61010 Masonry Screws

61011 Sparker

64003 Hold Downs

WARRANTY INFORMATION

KEEP THIS WARRANTY

Model: _____

Serial No.: _____

Date Purchased: _____

Always specify model and serial numbers when communicating with Duraflame, Inc.

We reserve the right to amend the specifications of this product at any time without notice. The only warranty applicable is our standard written warranty. We make no other warranty, expressed or implied.

LIMITED WARRANTY – DURAFLAME ILLUMA® LOG SETS, FIRE PITS & FIREPLACE APPLIANCES

Duraflame, Inc. warrants to the original purchaser this product to be free from defects in materials and workmanship, exclusive of normal manufacturing defects and customary variations not affecting ordinary performance, under normal home use and service for one (1) year from the date of first purchase, provided that the product has been properly installed, operated, and maintained in accordance with all applicable instructions. To make a claim under this warranty the original purchase receipt, Bill of Sale, or cancelled check must be presented.

Our obligation under this warranty shall be limited to the repair or exchange of any part(s) which may be demonstrated to be defective from faulty material or poor workmanship under normal home use and service within one (1) year from the date of first purchase and which are required to restore this product to proper operating condition, along with a reasonable allowance for labor when provided by a Duraflame, Inc. Authorized Service Center. Warranty part(s) MUST be obtained through authorized dealers of this product and/or Duraflame, Inc., which will provide original factory replacement parts. Failure to use original factory replacement parts voids this warranty. Correction in the manner provided above shall constitute a fulfillment of all liabilities of Duraflame, Inc. with respect to the quality of the product. The product MUST be installed by a person capable of following all instructions in accordance with all local codes and instructions furnished with the unit.

This warranty does not apply to parts that are not in original condition because of normal wear and tear, or parts which have been subject to accident, negligence, alteration, abuse, or misuse, or which fail or become damaged as a result of lack of proper maintenance, or to defects caused by improper assembly or installation. We make no warranty whatsoever in respect to accessories or parts not supplied by us. Travel, diagnostic cost, labor, shipping and handling, and any and all such other costs related to repairing a product damaged through normal wear and tear, misuse, or negligence will be the responsibility of the owner.

TO THE FULL EXTENT ALLOWED BY THE LAW OF THE JURISDICTION THAT GOVERNS THE SALE OF THE PRODUCT, THIS WARRANTY IS EXPRESSLY IN LIEU OF ALL OTHER WARRANTIES EXPRESSED OR IMPLIED INCLUDING THE WARRANTIES OF MERCHANTABILITY AND FITNESS FOR USE AND OF ALL OTHER OBLIGATIONS OR LIABILITIES ON OUR PART, AND WE NEITHER ASSUME, NOR AUTHORIZE ANY OTHER PERSON TO ASSUME FOR US, ANY OTHER LIABILITY IN CONNECTION WITH THE SALE OF THIS PRODUCT. IN NO EVENT SHALL DURAFLAME, INC. AT ANY TIME BECOME LIABLE FOR ANY BREACH OF WARRANTY IN AN AMOUNT EXCEEDING THE PURCHASE PRICE OF THE PRODUCT AND DURAFLAME, INC. SHALL NOT BE LIABLE FOR ANY OTHER DAMAGES WHATSOEVER INCLUDING INDIRECT, INCIDENTAL, OR CONSEQUENTIAL DAMAGES.

Some states do not allow a limitation on how long an implied warranty lasts or an exclusion or limitation of incidental or consequential damages, so the above limitation on implied warranties, or exclusion or limitation on damages may not apply to you.

This warranty gives you specific legal rights, and you may also have other rights that vary from state to state.

For information about this warranty write to:

Attn: Consumer Affairs, Duraflame, Inc., 2894 Monte Diablo Ave., Stockton, CA 95203, www.duraflame.com