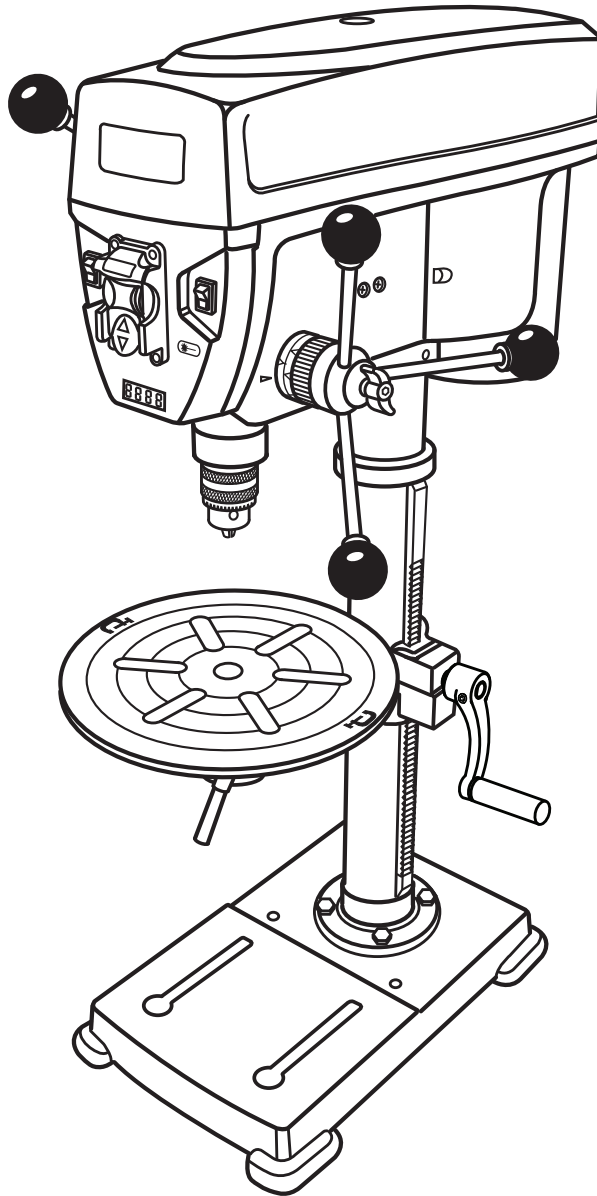




OPERATOR'S MANUAL

12 in. DIGITAL DRILL PRESS

DP121L



Your drill press has been engineered and manufactured to our high standard for dependability, ease of operation, and operator safety. When properly cared for, it will give you years of rugged, trouble-free performance.

⚠ WARNING: To reduce the risk of injury, the user must read and understand the operator's manual before using this product.

Thank you for your purchase.

SAVE THIS MANUAL FOR FUTURE REFERENCE

TABLE OF CONTENTS

■ Introduction	2
■ Warranty	2
■ General Safety Rules.....	3-4
■ Specific Safety Rules.....	5
■ Symbols.....	6-7
■ Electrical	8
■ Glossary of Terms.....	9
■ Features.....	10-11
■ Tools Needed.....	11
■ Loose Parts	12
■ Assembly.....	13-17
■ Operation.....	18-20
■ Adjustments.....	21
■ Maintenance.....	22
■ Troubleshooting.....	23
■ Parts Ordering / Service	Back Page

INTRODUCTION

This tool has many features for making its use more pleasant and enjoyable. Safety, performance, and dependability have been given top priority in the design of this product making it easy to maintain and operate.

WARRANTY

RYOBI® POWER TOOL - LIMITED TWO YEAR WARRANTY AND 30 DAY EXCHANGE POLICY

One World Technologies, Inc., warrants its RYOBI® power tools with the following conditions:

30-DAY EXCHANGE POLICY: During the first 30 days after date of purchase, you may either request service under this warranty or you may exchange any RYOBI® power tool which does not work properly due to defective workmanship or materials by returning the power tool to the dealer from which it was purchased. To receive a replacement power tool or requested warranty service, you must present proof of purchase and return all original equipment packaged with the original product. The replacement power tool will be covered by the limited warranty for the balance of the two year period from the date of the original purchase.

WHAT THIS WARRANTY COVERS: This warranty covers all defects in workmanship or materials in your RYOBI® power tool for a period of two years from the date of purchase. With the exception of batteries, power tool accessories are warranted for ninety (90) days. Batteries are warranted for two years.

HOW TO GET SERVICE: Just return the power tool, properly packaged and postage prepaid, to an Authorized Service Center. You can obtain the location of the Service Center nearest you by contacting a service representative at One World Technologies, Inc., P.O. Box 1207, Anderson, SC 29622-1207, by calling 1-800-525-2579 or by logging on to www.ryobitools.com. When you request warranty service, you must also present proof of purchase documentation, which includes the date of purchase (for example, a bill of sale). We will repair any faulty workmanship, and either repair or replace any defective part, at our option. We will do so without any charge to you. We will complete the work in a reasonable time, but, in any case, within ninety (90) days or less.

WHAT'S NOT COVERED: This warranty applies only to the original purchaser at retail and may not be transferred. This warranty only covers defects arising under normal usage and does not cover any malfunction, failure or defects resulting from misuse, abuse, neglect, alteration, modification or repairs by other than Authorized Service Centers. One World Technologies, Inc. makes no warranties, representations or promises as to the quality or performance of its power tools other than those specifically stated in this warranty.

ADDITIONAL LIMITATIONS: Any implied warranties granted under state law, including warranties of merchantability or fitness for a particular purpose, are limited to two years from the date of purchase. One World Technologies, Inc. is not responsible for direct, indirect, or incidental damages, so the above limitations and exclusions may not apply to you. This warranty gives you specific legal rights, and you may also have other rights which vary from state to state.

GENERAL SAFETY RULES



WARNING:

Read and understand all instructions. Failure to follow all instructions listed below, may result in electric shock, fire and/or serious personal injury.

READ ALL INSTRUCTIONS

- **KNOW YOUR POWER TOOL.** Read the operator's manual carefully. Learn the applications and limitations as well as the specific potential hazards related to this tool.
- **GUARD AGAINST ELECTRICAL SHOCK BY PREVENTING BODY CONTACT WITH GROUNDED SURFACES.** For example: pipes, radiators, ranges, refrigerator enclosures.
- **KEEP GUARDS IN PLACE** and in good working order.
- **REMOVE ADJUSTING KEYS AND WRENCHES.** Form habit of checking to see that keys and adjusting wrenches are removed from tool before turning it on.
- **KEEP WORK AREA CLEAN.** Cluttered areas and benches invite accidents. **DO NOT** leave tools or pieces of wood on the tool while it is in operation.
- **DO NOT USE IN DANGEROUS ENVIRONMENTS.** Do not use power tools in damp or wet locations or expose to rain. Keep the work area well lit.
- **KEEP CHILDREN AND VISITORS AWAY.** All visitors should wear safety glasses and be kept a safe distance from work area. Do not let visitors contact tool or extension cord while operating.
- **MAKE WORKSHOP CHILDPROOF** with padlocks, master switches, or by removing starter keys.
- **DON'T FORCE THE TOOL.** It will do the job better and safer at the feed rate for which it was designed.
- **USE THE RIGHT TOOL.** Do not force the tool or attachment to do a job for which it was not designed.
- **USE THE PROPER EXTENSION CORD.** Make sure your extension cord is in good condition. Use only a cord heavy enough to carry the current your product will draw. An undersized cord will cause a drop in line voltage resulting in loss of power and overheating. A wire gauge size (A.W.G.) of at least **16** is recommended for an extension cord 50 feet or less in length. If in doubt, use the next heavier gauge. The smaller the gauge number, the heavier the cord.
- **DRESS PROPERLY.** Do not wear loose clothing, gloves, neckties, or jewelry that can get caught and draw you into moving parts. Rubber gloves and nonskid footwear are recommended when working outdoors. Also wear protective hair covering to contain long hair.
- **ALWAYS WEAR SAFETY GLASSES WITH SIDE SHIELDS.** Everyday eyeglasses have only impact-resistant lenses, they are **NOT** safety glasses.
- **SECURE WORK.** Use clamps or a vise to hold work when practical, it is safer than using your hand and frees both hands to operate the tool.
- **DO NOT OVERREACH.** Keep proper footing and balance at all times.
- **MAINTAIN TOOLS WITH CARE.** Keep tools sharp and clean for better and safer performance. Follow instructions for lubricating and changing accessories.
- **DISCONNECT TOOLS.** When not in use, before servicing, or when changing attachments, blades, bits, cutters, etc., all tools should be disconnected from power source.
- **AVOID ACCIDENTAL STARTING.** Be sure switch is off when plugging in any tool.
- **USE RECOMMENDED ACCESSORIES.** Consult the operator's manual for recommended accessories. The use of improper accessories may result in injury.
- **NEVER STAND ON TOOL.** Serious injury could occur if the tool is tipped or if the cutting tool is unintentionally contacted.
- **CHECK DAMAGED PARTS.** Before further use of the tool, a guard or other part that is damaged should be carefully checked to determine that it will operate properly and perform its intended function. Check for alignment of moving parts, binding of moving parts, breakage of parts, mounting and any other conditions that may affect its operation. A guard or other part that is damaged must be properly repaired or replaced by an authorized service center to avoid risk of personal injury.
- **USE THE RIGHT DIRECTION OF FEED.** Feed work into a blade, cutter, or sanding spindle against the direction or rotation of the blade, cutter, or sanding spindle only.
- **NEVER LEAVE TOOL RUNNING UNATTENDED. TURN THE POWER OFF.** Don't leave tool until it comes to a complete stop.
- **PROTECT YOUR LUNGS.** Wear a face or dust mask if the cutting operation is dusty.
- **PROTECT YOUR HEARING.** Wear hearing protection during extended periods of operation.
- **DO NOT ABUSE CORD.** Never carry tool by the cord or yank it to disconnect from receptacle. Keep cord from heat, oil, and sharp edges.
- **USE OUTDOOR EXTENSION CORDS.** When tool is used outdoors, use only extension cords with approved ground connection that are intended for use outdoors and so marked.
- **STAY ALERT AND EXERCISE CONTROL.** Watch what you are doing and use common sense. Do not operate tool when you are tired. Do not rush.

GENERAL SAFETY RULES

- **DO NOT USE TOOL IF SWITCH DOES NOT TURN IT ON AND OFF.** Have defective switches replaced by an authorized service center.
- **ALWAYS TURN SWITCH OFF** before disconnecting it to avoid accidental starting.
- **NEVER USE IN AN EXPLOSIVE ATMOSPHERE.** Normal sparking of the motor could ignite fumes.
- **INSPECT TOOL CORDS PERIODICALLY.** If damaged, have repaired by a qualified service technician at an authorized service facility. The conductor with insulation having an outer surface that is green with or without yellow stripes is the equipment-grounding conductor. If repair or replacement of the electric cord or plug is necessary, do not connect the equipment-grounding conductor to a live terminal. Repair or replace a damaged or worn cord immediately. Stay constantly aware of cord location and keep it well away from the rotating blade.
- **INSPECT EXTENSION CORDS PERIODICALLY** and replace if damaged.
- **GROUND ALL TOOLS.** If tool is equipped with three-prong plug, it should be plugged into a three-hole electrical receptacle.
- **USE ONLY CORRECT ELECTRICAL DEVICES:** 3-wire extension cords that have 3-prong grounding plugs and 3-pole receptacles that accept the tool's plug.
- **KEEP TOOL DRY, CLEAN, AND FREE FROM OIL AND GREASE.** Always use a clean cloth when cleaning. Never use brake fluids, gasoline, petroleum-based products, or any solvents to clean tool.
- **NEVER START A TOOL WHEN ANY ROTATING COMPONENT IS IN CONTACT WITH THE WORKPIECE.**
- **DO NOT OPERATE A TOOL WHILE UNDER THE INFLUENCE OF DRUGS, ALCOHOL, OR ANY MEDICATION.**
- **WHEN SERVICING** use only identical replacement parts. Use of any other parts may create a hazard or cause product damage.
- **USE ONLY RECOMMENDED ACCESSORIES** listed in this manual or addendums. Use of accessories that are not listed may cause the risk of personal injury. Instructions for safe use of accessories are included with the accessory.
- **IF THE POWER SUPPLY CORD IS DAMAGED,** it must be replaced only by the manufacturer or by an authorized service center to avoid risk.

SPECIFIC SAFETY RULES

- **KEEP BITS CLEAN AND SHARP.** Sharp bits minimize stalling. Dirty and dull bits may cause misalignment of the material and possible operator injury.
- **KEEP HANDS AWAY FROM WORK AREA.** Keep hands away from the bit. Restrain any loose clothing, jewelry, long hair, etc., that may become entangled in the bit.
- **ALWAYS CLAMP WORKPIECE AND BRACE AGAINST COLUMN TO PREVENT ROTATION.** Never use your hand to hold the object while drilling.
- **USE RECOMMENDED SPEED FOR DRILL ACCESSORY AND WORKPIECE MATERIAL.**
- **BE SURE DRILL BIT OR CUTTING TOOL IS SECURELY LOCKED IN THE CHUCK.**
- **BE SURE CHUCK KEY IS REMOVED** from the chuck before connecting to power source or turning power ON.
- **ADJUST THE TABLE OR DEPTH STOP TO AVOID DRILLING INTO THE TABLE.** Shut off the power, remove the drill bit, and clean the table before leaving machine.
- **AVOID DIRECT EYE EXPOSURE** when using the laser guide.
- **ALWAYS ENSURE THE LASER BEAM IS AIMED AT A SURFACE WITHOUT REFLECTIVE PROPERTIES.** Shiny reflective materials are not suitable for laser use.
- **NEVER PLACE YOUR FINGERS IN A POSITION WHERE THEY COULD CONTACT THE DRILL** or other cutting tool if the workpiece should unexpectedly shift.
- **NEVER PERFORM ANY OPERATION** by moving the head or table with respect to one another. Do not turn the motor switch ON or start any operation before checking that the head and table support lock handle is clamped tight to column and head and table support collars are correctly positioned.
- **BEFORE ENGAGING THE POWER SWITCH, MAKE SURE THE BELT GUARD IS DOWN AND THE CHUCK IS INSTALLED PROPERLY.**
- **LOCK THE MOTOR SWITCH OFF WHEN LEAVING THE DRILL PRESS.** Do not perform layout, assembly, or set-up work on the table while the cutting tool is rotating, switched on, or connected to a power source.
- **SAVE THESE INSTRUCTIONS.** Refer to them frequently and use to instruct other users. If you loan someone this tool, loan them these instructions also.

WARNING:








Some dust created by power sanding, sawing, grinding, drilling, and other construction activities contains chemicals known to cause cancer, birth defects or other reproductive harm. Some examples of these chemicals are:

- lead from lead-based paints,
- crystalline silica from bricks and cement and other masonry products, and
- arsenic and chromium from chemically-treated lumber.

Your risk from these exposures varies, depending on how often you do this type of work. To reduce your exposure to these chemicals, work in a well ventilated area, and work with approved safety equipment, such as those dust masks that are specially designed to filter out microscopic particles.




SYMBOLS

Some of the following symbols may be used on this tool. Please study them and learn their meaning. Proper interpretation of these symbols will allow you to operate the tool better and safer.

SYMBOL	NAME	DESIGNATION/EXPLANATION
V	Volts	Voltage
A	Amperes	Current
Hz	Hertz	Frequency (cycles per second)
W	Watt	Power
min	Minutes	Time
~	Alternating Current	Type of current
==	Direct Current	Type or a characteristic of current
n_0	No Load Speed	Rotational speed, at no load
	Class II Construction	Double-insulated construction
.../min	Per Minute	Revolutions, strokes, surface speed, orbits etc., per minute
	Wet Conditions Alert	Do not expose to rain or use in damp locations.
	Read The Operator's Manual	To reduce the risk of injury, user must read and understand operator's manual before using this product.
	Eye Protection	Always wear safety goggles or safety glasses with side shields and a full face shield when operating this product.
	Safety Alert	Precautions that involve your safety.
	No Hands Symbol	Failure to keep your hands away from the blade will result in serious personal injury.
	Hot Surface	To reduce the risk of injury or damage, avoid contact with any hot surface.

SYMBOLS

The following signal words and meanings are intended to explain the levels of risk associated with this product.

SYMBOL	SIGNAL	MEANING
	DANGER:	Indicates an imminently hazardous situation, which, if not avoided, will result in death or serious injury.
	WARNING:	Indicates a potentially hazardous situation, which, if not avoided, could result in death or serious injury.
	CAUTION:	Indicates a potentially hazardous situation, which, if not avoided, may result in minor or moderate injury.
	CAUTION:	(Without Safety Alert Symbol) Indicates a situation that may result in property damage.

SERVICE

Servicing requires extreme care and knowledge and should be performed only by a qualified service technician. For service we suggest you return the product to your nearest **AUTHORIZED SERVICE CENTER** for repair. When servicing, use only identical replacement parts.



WARNING:

To avoid serious personal injury, do not attempt to use this product until you read thoroughly and understand completely the operator's manual. Save this operator's manual and review frequently for continuing safe operation and instructing others who may use this product. Call Ryobi customer service for assistance.



WARNING:



The operation of any power tool can result in foreign objects being thrown into your eyes, which can result in severe eye damage. Before beginning power tool operation, always wear safety goggles or safety glasses with side shields and a full face shield when needed. We recommend Wide Vision Safety Mask for use over eyeglasses or standard safety glasses with side shields. Always use eye protection which is marked to comply with ANSI Z87.1.

SAVE THESE INSTRUCTIONS

ELECTRICAL

EXTENSION CORDS

Use only 3-wire extension cords that have 3-prong grounding plugs and 3-pole receptacles that accept the tool's plug. When using a power tool at a considerable distance from the power source, use an extension cord heavy enough to carry the current that the tool will draw. An undersized extension cord will cause a drop in line voltage, resulting in a loss of power and causing the motor to overheat. Use the chart provided below to determine the minimum wire size required in an extension cord. Only round jacketed cords listed by Underwriter's Laboratories (UL) should be used.

**Ampere rating (on tool faceplate)

Cord Length	Wire Size (A.W.G.)					
	0-2.0	2.1-3.4	3.5-5.0	5.1-7.0	7.1-12.0	12.1-16.0
25'	16	16	16	16	14	14
50'	16	16	16	14	14	12
100'	16	16	14	12	10	—

**Used on 12 gauge - 20 amp circuit.

NOTE: AWG = American Wire Gauge

When working with the tool outdoors, use an extension cord that is designed for outside use. This is indicated by the letters "WA" on the cord's jacket.

Before using an extension cord, inspect it for loose or exposed wires, and cut or worn insulation.

WARNING:

Keep the extension cord clear of the working area. Position the cord so that it will not get caught on lumber, tools, or other obstructions while you are working with a power tool. Failure to do so can result in serious personal injury.

WARNING:

Check extension cords before each use. If damaged replace immediately. Never use tool with a damaged cord since touching the damaged area could cause electrical shock resulting in serious injury.

ELECTRICAL CONNECTION

This tool is powered by a precision built electric motor. It should be connected to a **power supply that is 120 volts, 60 Hz, AC only (normal household current)**. Do not operate this tool on direct current (DC). A substantial voltage drop will cause a loss of power and the motor will overheat. If the tool does not operate when plugged into an outlet, double check the power supply.

SPEED AND WIRING

The no-load speed of this tool is approximately 3,000 rpm. This speed is not constant and decreases under a load or with lower voltage. For voltage, the wiring in a shop is as important as the motor's horsepower rating. A line intended only for lights cannot properly carry a power tool motor. Wire that is heavy enough for a short distance will be too light for a greater distance. A line that can support one power tool may not be able to support two or three tools.

GROUNDING INSTRUCTIONS

In the event of a malfunction or breakdown, grounding provides a path of least resistance for electric current to reduce the risk of electric shock. This tool is equipped with an electric cord having an equipment-grounding conductor and a grounding plug. The plug must be plugged into a matching outlet that is properly installed and grounded in accordance with all local codes and ordinances.

Do not modify the plug provided. If it will not fit the outlet, have the proper outlet installed by a qualified electrician. Improper connection of the equipment-grounding conductor can result in a risk of electric shock. The conductor with insulation having an outer surface that is green with or without yellow stripes is the equipment-grounding conductor. If repair or replacement of the electric cord or plug is necessary, do not connect the equipment-grounding conductor to a live terminal.

Check with a qualified electrician or service personnel if the grounding instructions are not completely understood, or if in doubt as to whether the tool is properly grounded.

Repair or replace a damaged or worn cord immediately.

This tool is intended for use on a circuit that has an outlet like the one shown in figure 1. It also has a grounding pin like the one shown.

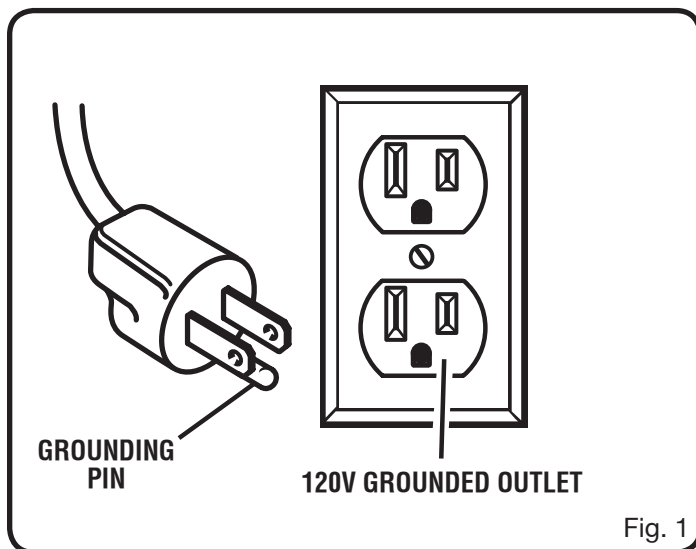


Fig. 1

GLOSSARY OF TERMS

Anti-Kickback Pawls (radial arm and table saws)

A device which, when properly installed and maintained, is designed to stop the workpiece from being kicked back toward the front of the saw during a ripping operation.

Arbor

The shaft on which a blade or cutting tool is mounted.

Bevel Cut

A cutting operation made with the blade at any angle other than 90° to the table surface.

Chamfer

A cut removing a wedge from a block so the end (or part of the end) is angled rather than at 90°.

Compound Cut

A cross cut made with both a miter and a bevel angle.

Crosscut

A cutting or shaping operation made across the grain or the width of the workpiece.

Cutter Head (planers and jointers)

A rotating piece of adjustable blades. The cutter head removes material from the workpiece.

Dado Cut

A non-through cut which produces a square-sided notch or trough in the workpiece (requires a special blade).

Featherboard

A device used to help control the workpiece by guiding it securely against the table or fence during any ripping operation.

FPM or SPM

Feet per minute (or strokes per minute), used in reference to blade movement.

Freehand

Performing a cut without the workpiece being guided by a fence, miter gauge, or other aids.

Gum

A sticky, sap-based residue from wood products.

Heel

Alignment of the blade to the fence.

Kerf

The material removed by the blade in a through cut or the slot produced by the blade in a non-through or partial cut.

Kickback

A hazard that can occur when the blade binds or stalls, throwing the workpiece back toward operator.

Leading End

The end of the workpiece pushed into the tool first.

Miter Cut

A cutting operation made with the workpiece at any angle to the blade other than 90°.

Non-Through Cuts

Any cutting operation where the blade does not extend completely through the thickness of the workpiece.

Pilot Hole (drill presses)

A small hole drilled in a workpiece that serves as a guide for drilling large holes accurately.

Push Blocks and Push Sticks

Devices used to feed the workpiece through the saw blade during cutting operations. A push stick (not a push block) should be used for narrow ripping operations. These aids help keep the operator's hands well away from the blade.

Resaw

A cutting operation to reduce the thickness of the workpiece to make thinner pieces.

Resin

A sticky, sap-based substance that has hardened.

Revolutions Per Minute (RPM)

The number of turns completed by a spinning object in one minute.

Ripping or Rip Cut

A cutting operation along the length of the workpiece.

Riving Knife (table saws)

Also known as a spreader or splitter. A metal piece, slightly thinner than the saw blade, which helps keep the kerf open and also helps to prevent kickback.

Saw Blade Path

The area over, under, behind, or in front of the blade. As it applies to the workpiece, that area which will be or has been cut by the blade.

Set

The distance that the tip of the saw blade tooth is bent (or set) outward from the face of the blade.

Snipe (planers)

Depression made at either end of a workpiece by cutter blades when the workpiece is not properly supported.

Through Sawing

Any cutting operation where the blade extends completely through the thickness of the workpiece.

Throw-Back

The throwing back of a workpiece usually caused by the workpiece being dropped into the blade or being placed inadvertently in contact with the blade.

Workpiece or Material

The item on which the operation is being done.

Worktable

Surface where the workpiece rests while performing a cutting, drilling, planing, or sanding operation.

FEATURES

PRODUCT SPECIFICATIONS

Chuck 1/2 in.
 Input 120 Volt, 60Hz, AC Only, 5 Amps
 Motor 1/3 HP Induction
 No Load Speed 500–3,000 r/min (RPM)
 Depth 12 in.

Spindle Travel 3 in.
 Table Size 10-3/4 in. dia.
 Table Movement 45° bevel, 360° swivel
 Overall Height 35 in.
 Net Weight 91 lbs.

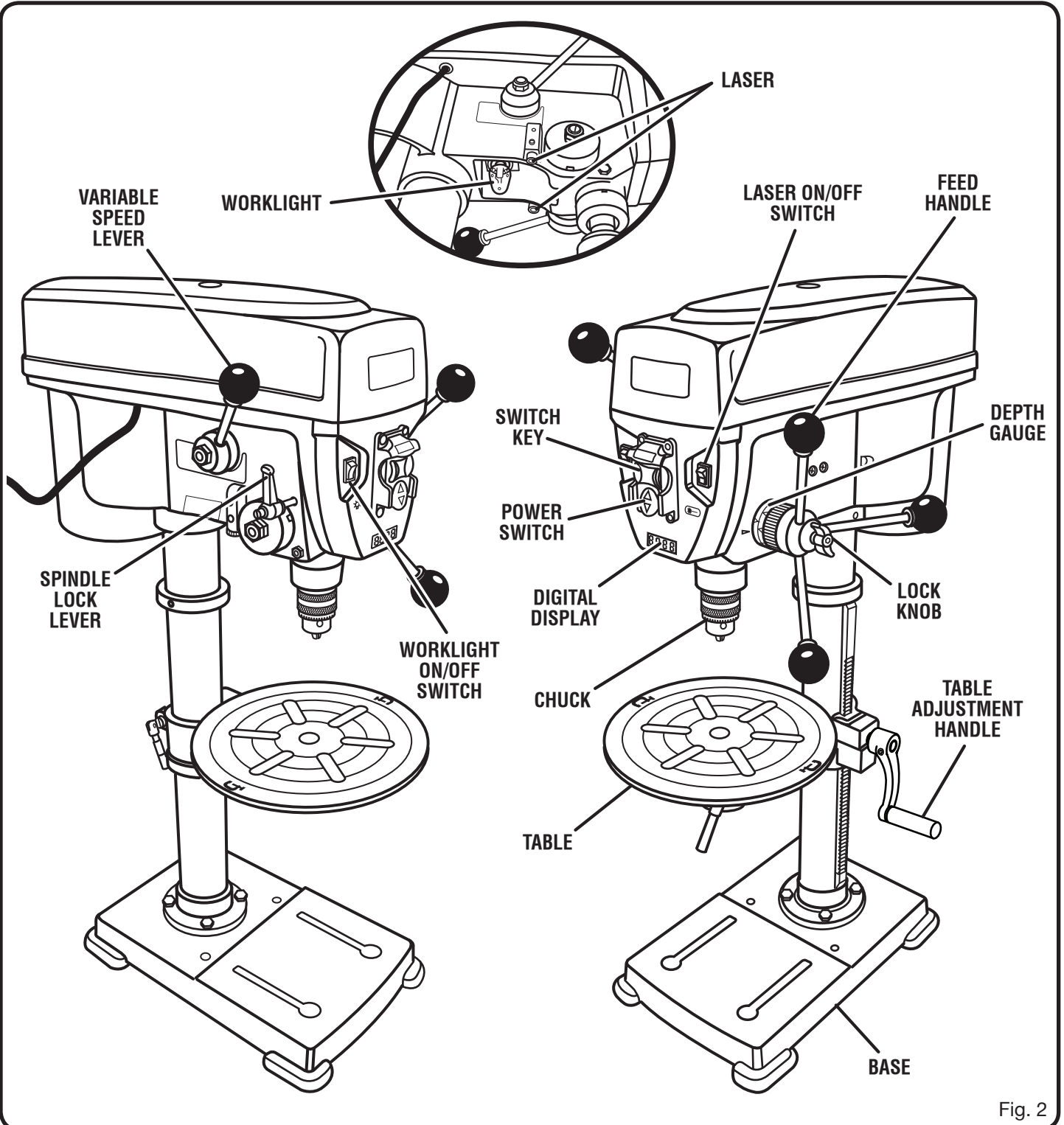


Fig. 2

FEATURES

KNOW YOUR DRILL PRESS

See Figure 2.

Before attempting to use this product, familiarize yourself with all operating features and safety rules.

BEVEL SCALE

The bevel scale indicates the degree the table is tilted.

CHUCK

Your drill press features a standard three-jaw type chuck with a self-ejecting chuck key, which prevents accidentally starting the drill press with the key still engaged in the chuck.

DEPTH GAUGE

A depth gauge is located between the pulley housing and feed handles to aid in drilling at desired depths.

DEPTH STOP

The adjustable locking depth stop permits accurate depth measurement and repetitive drilling.

DIGITAL DISPLAY

Red numbers in the digital display show the RPM of the tool.

CHUCK TOOL

The chuck tool is used to remove the chuck and chuck spindle.

EXACTLINE™ LASER

The Exactline™ laser makes accurate, precision drilling simple and easy.

FEED HANDLES

Feed handles raise and lower the chuck and bit during the drilling operation.

MOTOR

Your drill press is equipped with an industrial duty induction motor for long-lasting, smooth performance.

SPINDLE LOCK LEVER

The spindle lock lever secures the spindle at the desired depth for drilling.

SPINDLE SPEED

Five different spindle speeds allow you to drill a wide variety of material including wood, plastic, and metal.

TABLE

The table of your drill press rotates 360° and bevels up to 45° for angle drilling.

VARIABLE SPEED

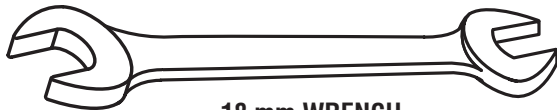
Adjust drilling speed using the variable speed lever on the side of the tool. Speed can only be changed when the tool is on.

WORKLIGHT

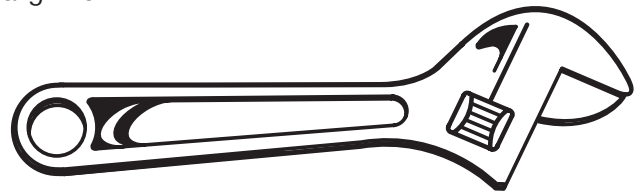
The integrated worklight can be used to help illuminate the work area. It requires a 15-watt (maximum), 120-volt, candelabra-base bulb (not included).

TOOLS NEEDED

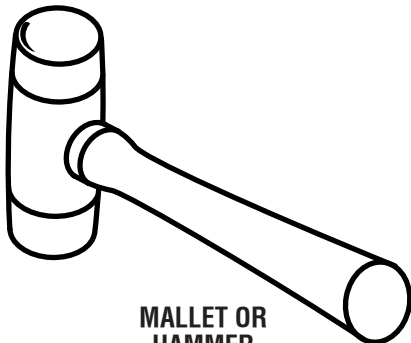
The following tools (not included) are needed for assembly and alignment:



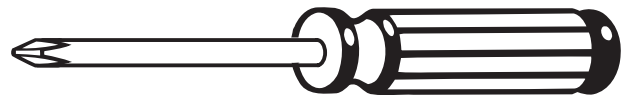
18 mm WRENCH



ADJUSTABLE WRENCH



MALLET OR
HAMMER



PHILLIPS SCREWDRIVER

Fig. 3

LOOSE PARTS

The following items are included with the drill press:

Head Assembly	1	Spindle Lock Lever.....	1
Column Assembly	1	Table Adjustment Handle	1
Table	1	Table Lock Handle.....	1
Table Support	1	Variable Speed Lever	1
Base	1	Chuck Tool.....	1
Hex Key (3 mm, 4 mm, and 5 mm).....	3	Chuck	1
Hex Bolts (M8).....	4	Chuck Key	1
Feed Handles	3	Arbor.....	1
Worm Gear	1	Operator's Manual (not shown)	1

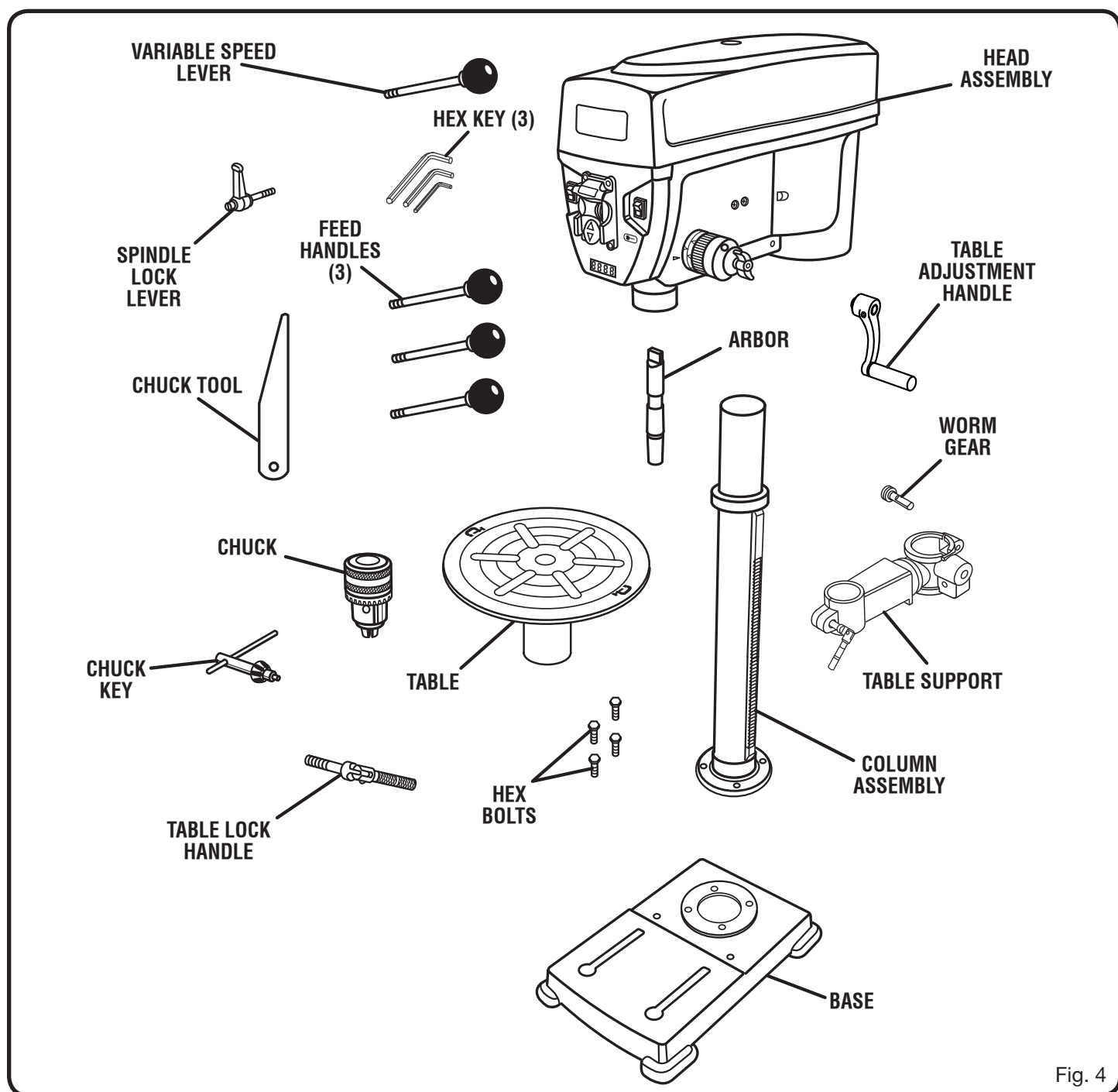


Fig. 4

ASSEMBLY

UNPACKING

This product requires assembly.

- Carefully remove the tool and any accessories from the box. Place it on a level work surface.

NOTE: This tool is heavy. To avoid back injury, lift with your legs, not your back, and get help when needed.

- Inspect the tool carefully to make sure no breakage or damage occurred during shipping.
- Do not discard the packing material until you have carefully inspected the tool, identified all loose parts, and satisfactorily operated the tool.
- If any parts are damaged or missing, please call 1-800-525-2579 for assistance.

WARNING:

If any parts are damaged or missing do not operate this tool until the missing parts are replaced. Failure to heed this warning could result in possible serious personal injury.

WARNING:

Do not attempt to modify this tool or create accessories not recommended for use with this tool. Any such alteration or modification is misuse and could result in a hazardous condition leading to possible serious personal injury.

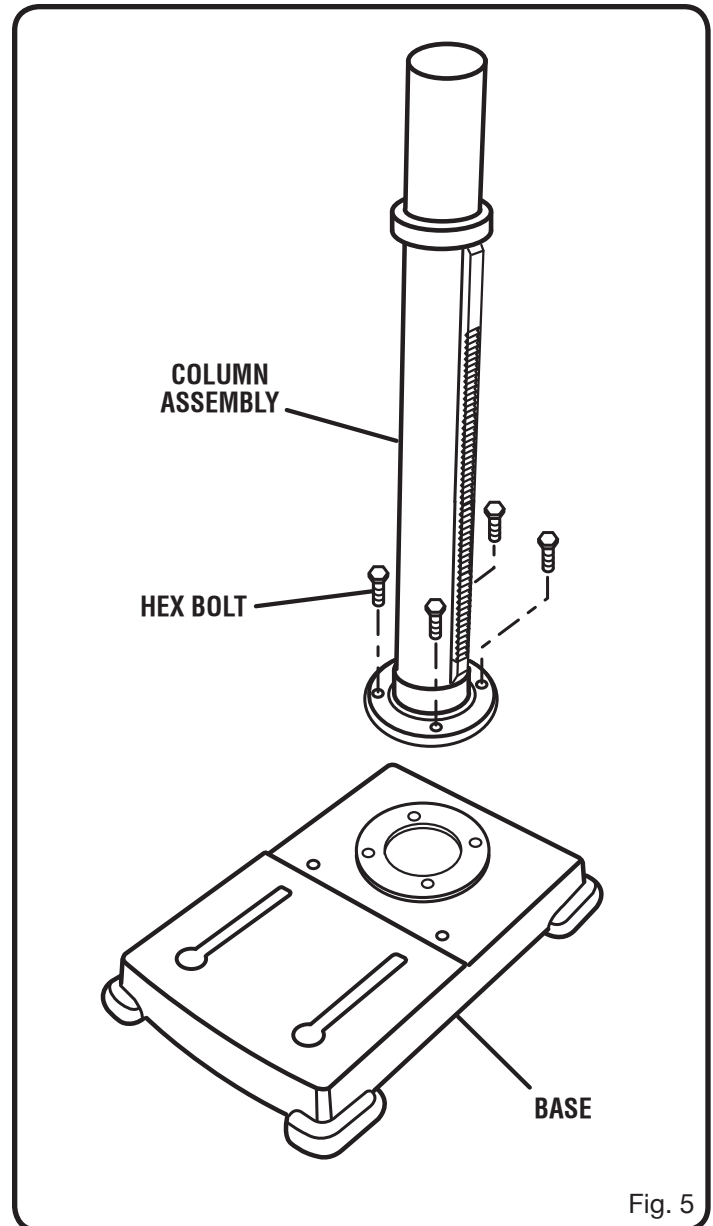
WARNING:

Do not connect to power supply until assembly is complete. Failure to comply could result in accidental starting and possible serious personal injury.

ATTACHING COLUMN ASSEMBLY TO BASE

See Figure 5.

- Place the base on a flat surface. Align screw holes in the column assembly with screw holes in the base.
- Place a hex bolt in each hole and tighten using an adjustable wrench.



ASSEMBLY

INSTALLING TABLE AND TABLE SUPPORT

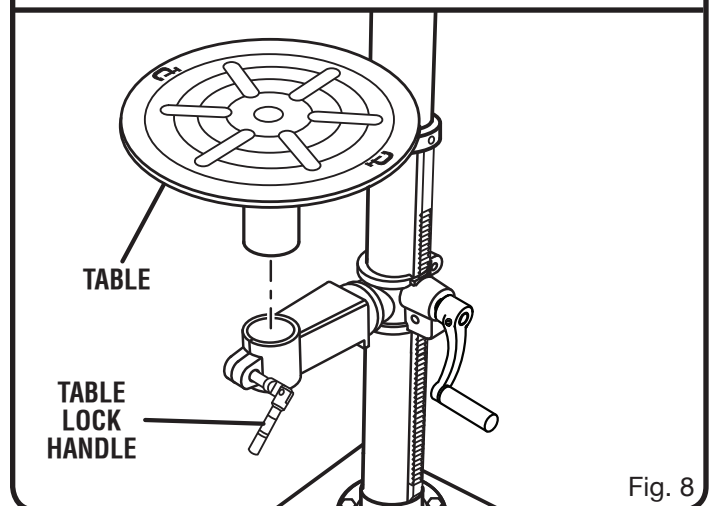
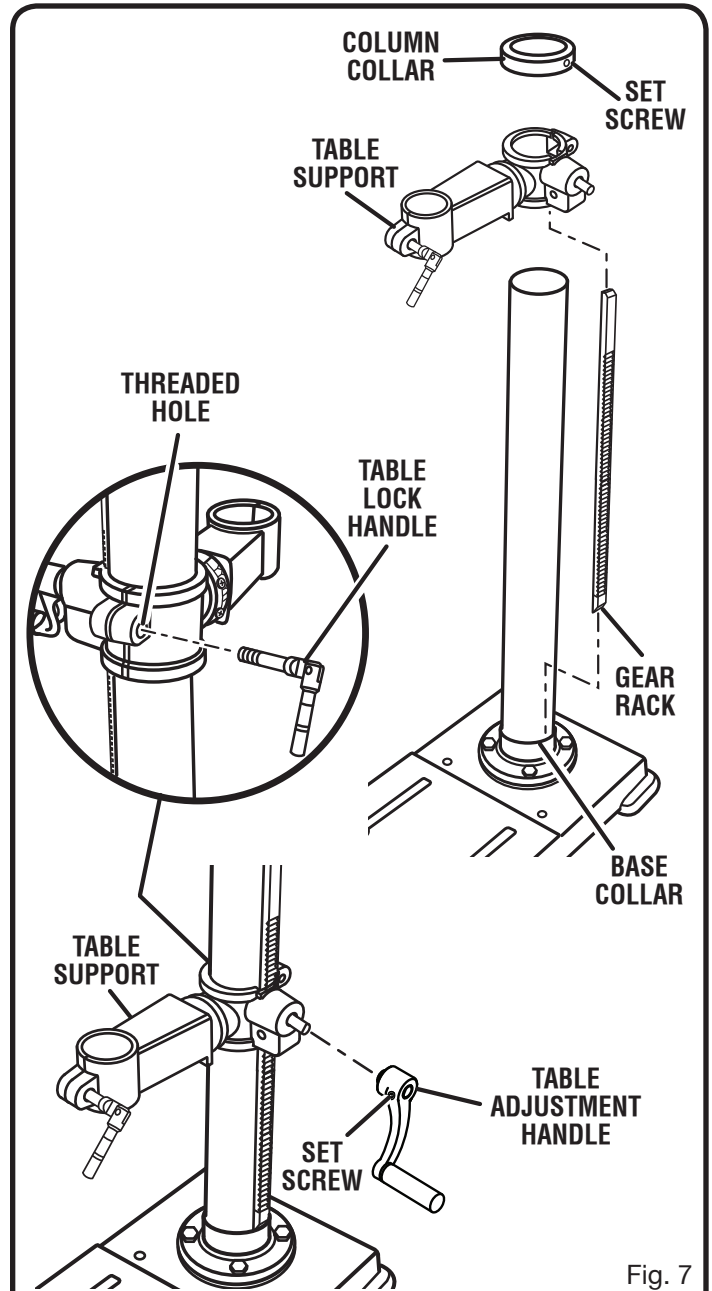
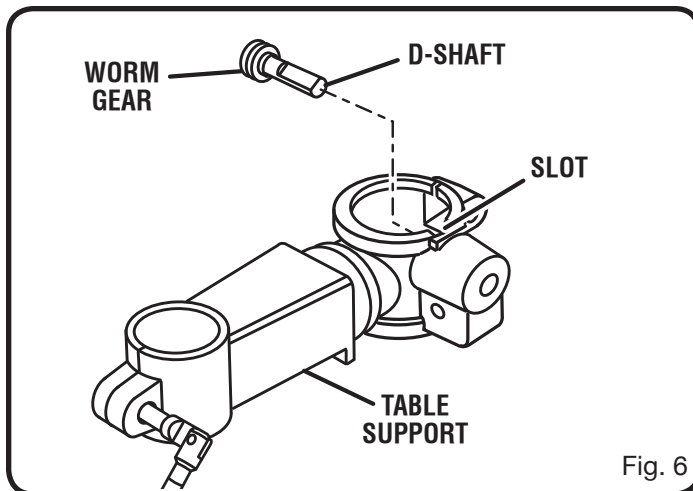
See Figures 6 - 8.

- Loosen the set screw in the column collar. Remove the column collar and gear rack from the column and set aside.
- Locate the worm gear and feed the D-shaft through the hole in the table support.
- Feed the gear rack through the slot in the table support so that the teeth are facing out and the longer smooth end faces up. The worm gear should engage the gear rack.
- Using both hands, slide the entire table support and gear rack onto the column until the bottom of the gear rack is positioned in the base collar and against the column.
- Slide the column collar, bevel-side down, over the column until the beveled side engages the beveled end of the gear rack. Tighten the set screw in the collar using the hex key. Do not overtighten.

NOTE: You should be able to move the table support from side to side.

- Install table adjustment handle over the end of the D-shaft so that the flat side of the shaft aligns with the set screw. Using the hex key, tighten the set screw on the table adjustment handle.
- Locate the table lock handle. Insert it into the threaded hole at the rear of the table support and tighten by hand.
- Remove protective covering from the table and discard. Place the table in the table support and tighten the table lock handle by hand.

NOTE: If the table won't fit into the table support easily, pry open the table support with a flat blade screwdriver.



ASSEMBLY

INSTALLING CHUCK, HEAD ASSEMBLY, AND FEED HANDLES

See Figures 9 - 11.

NOTE: Move the table out of the way before beginning installation.

■ Position the head assembly onto the column with the chuck positioned over the table.

NOTE: The head assembly is heavy. Get help when needed.

■ Slide the head assembly down as far as it will go. Align the head assembly with the base then tighten the two head set screws with the hex key.

■ Attach the three feed handles by screwing them into the threaded holes in the hub.

■ Position chuck on arbor. Chuck should be fully opened to avoid damaging jaws.

■ Using a piece of scrap wood to protect the chuck, firmly tap the chuck into place using a mallet or hammer.

■ Fit the arbor into the spindle shaft turning it to the right until it slips into place and tap with mallet using a piece of wood.

NOTE: Wipe the surfaces of the arbor and spindle shaft with a clean, dry cloth before assembly to remove excess grease. Do not use a chemical cleaning agent.

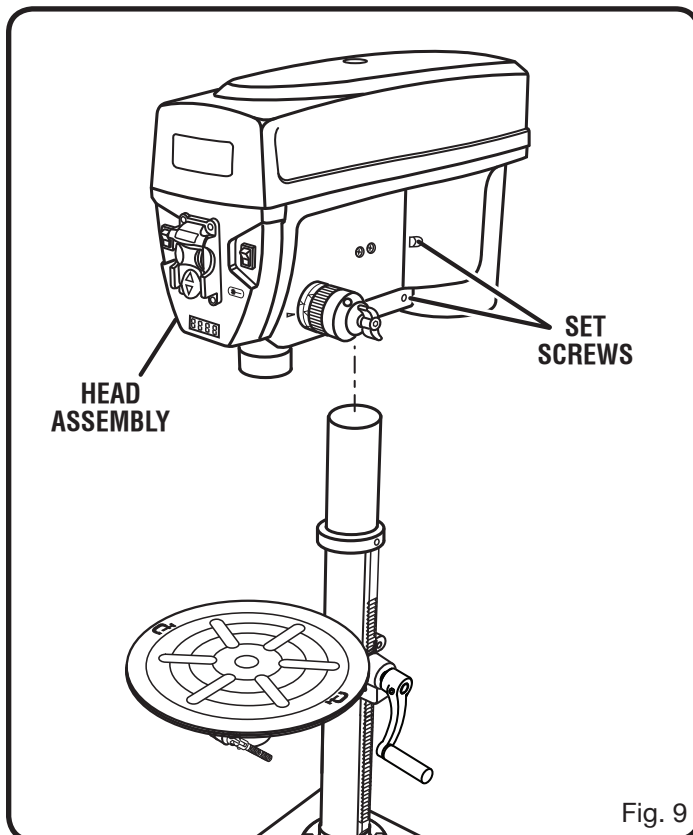


Fig. 9

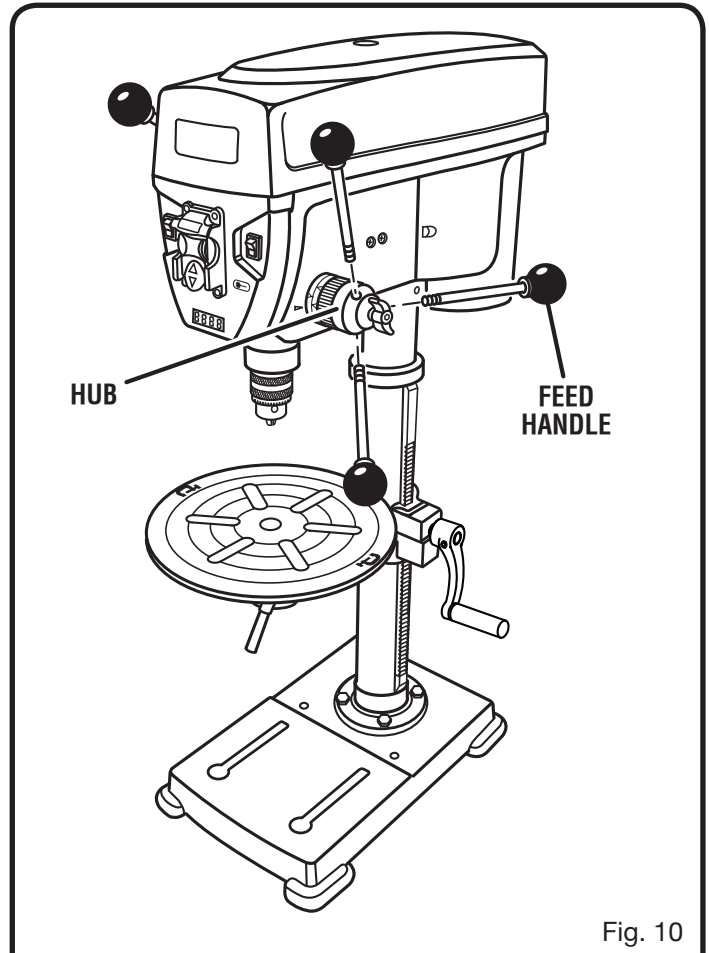


Fig. 10

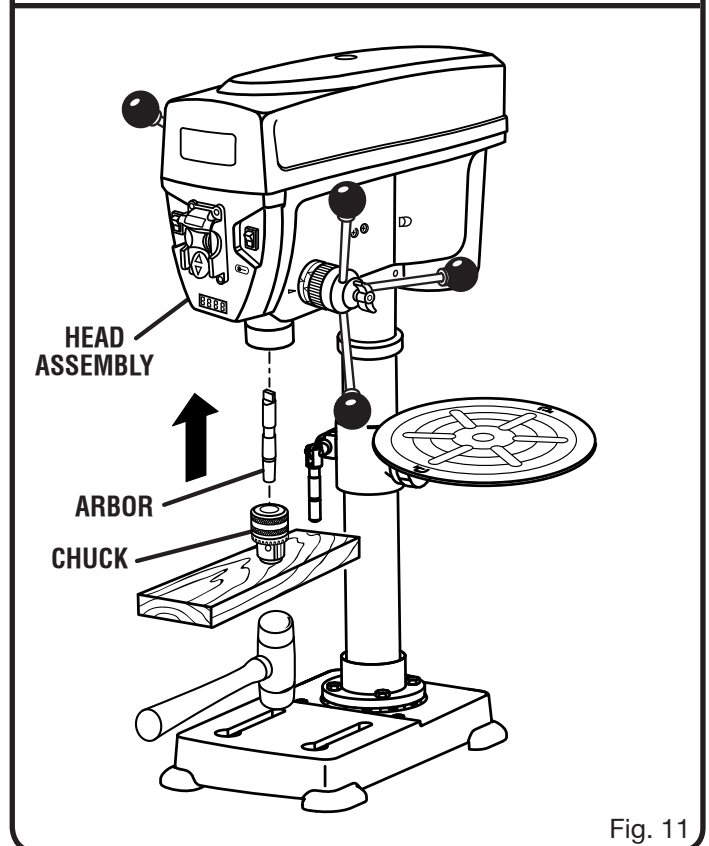


Fig. 11

ASSEMBLY

INSTALLING/CHANGING WORKLIGHT BULB

See Figure 12.

The integrated worklight can be used to help illuminate the work area. The worklight requires a 15-watt, 120-volt, candelabra-base bulb (not included).

To install, insert the bulb into the worklight receptacle and twist clockwise to secure.

MOUNTING THE DRILL PRESS

See Figure 13.

If the drill press is to be used in a permanent location, secure it to a workbench or other stable surface.

If the drill press is to be used as a portable tool, fasten it permanently to a mounting board that can easily be clamped to a workbench or other stable surface. The mounting board should be of sufficient size to avoid tipping while drill press is in use. Any good grade plywood or chipboard with a 3/4 in. thickness is recommended.

- Mark holes on surface where drill press is to be mounted using holes in drill press base as a template for hole pattern.
- Drill holes through mounting surface.
- Place drill press on mounting surface, aligning holes in the base with holes drilled in the mounting surface.
- Insert bolts (not included) and tighten securely with lock washers and hex nuts (not included).

If lag bolts are used, make sure they are long enough to go through holes in drill press base and material the drill press is being mounted to. If machine bolts are used, make sure bolts are long enough to go through holes in drill press, the material being mounted to, and the lock washers and hex nuts.

NOTE: All bolts should be inserted from the top. Install the lock washers and hex nuts from the underside of the workbench.

Once the drill press is securely mounted on a sturdy surface perform the following:

- Check for vibration when the motor is switched **ON**.
- Adjust and retighten the mounting hardware as necessary.
- Check the table assembly to assure smooth movement up and down the column.
- Check to assure that the spindle shaft moves smoothly.

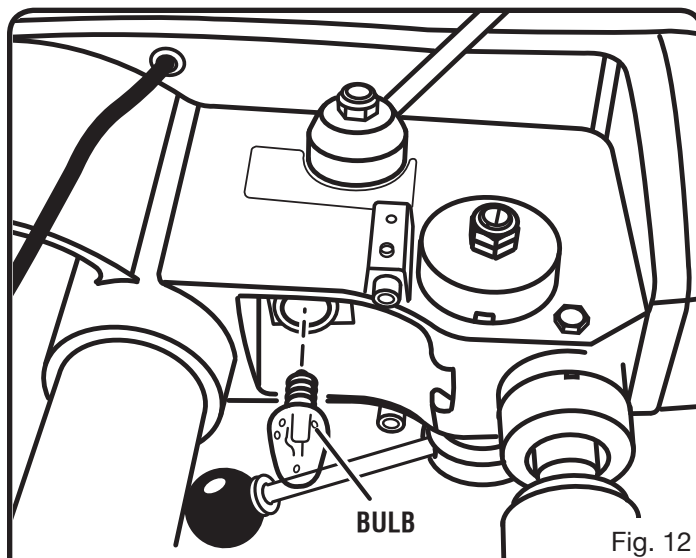


Fig. 12

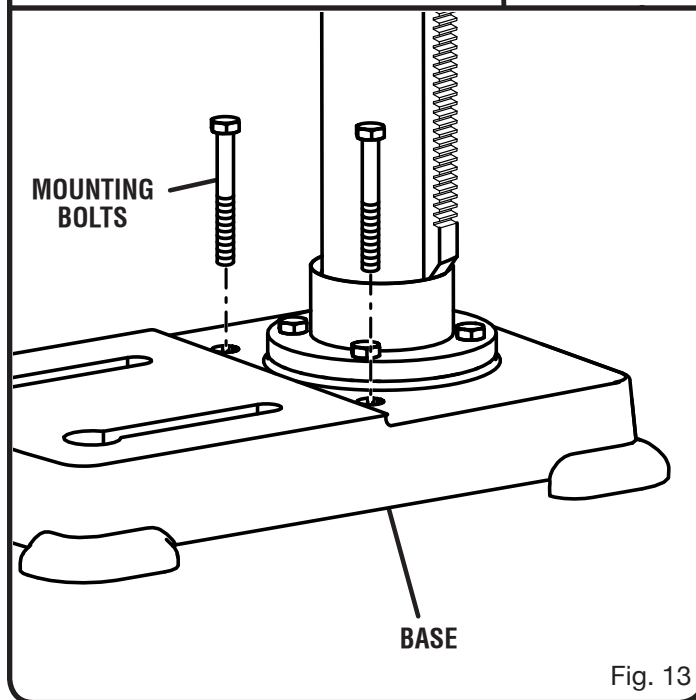


Fig. 13

ASSEMBLY

INSTALLING/USING THE SPINDLE LOCK LEVER

See Figure 14.

The spindle lock is installed by aligning the threaded post on the lock lever with the hole on the left side of the tool then turning the post clockwise. Securely tightening the spindle lock lever locks the spindle in place. Turning the lock lever counterclockwise will loosen the spindle.

CHECKING/ADJUSTING LASER ALIGNMENT

See Figure 15.

Check the laser alignment to ensure the intersection of the laser lines is precisely at the spot where the drill bit meets the workpiece. If it is not, the laser lines should be adjusted using the laser adjustment knobs located on opposite sides of the head assembly.

- Mark an "X" on a piece of scrap wood.
- Insert a small drill bit into the chuck and align its tip to the intersection of the lines of the "X".
- Secure the board to the table.
- Turn on the laser and verify the laser lines align with the "X" on the workpiece.
- If the laser lines do not align, loosen the set screws on each of the laser housings with a hex key and rotate the laser adjustment knobs until the lines meet in the center of the "X". Retighten the set screws to secure.

WARNING:

Use of controls or adjustments or performance of procedures other than those specified herein could result in hazardous radiation exposure.

⚠ DANGER / DANGER / PELIGRO

LASER RADIATION - AVOID DIRECT EYE EXPOSURE
RAYONNEMENT LASER - ÉVITER LE CONTACT OCULAIRE DIRECT
RADIACIÓN LÁSER - EVITE LA EXPOSICIÓN DIRECTA DE LOS OJOS

MAXIMUM OUTPUT: $\leq 5\text{mW}$ WAVELENGTH: 635-650 NM.
PUISSANCE MAXIMUM: $\leq 5\text{mW}$ LONGUEUR D'ONDE: 635-650 nm
POTENCIA MÁXIMA $\leq 5\text{mW}$ LONG. ONDA: 635-650nm RYLD

Class IIIa Laser Product	Produit laser de classe IIIa	Aparato láser Clase IIIa
-----------------------------	---------------------------------	-----------------------------

AVOID EXPOSURE- Laser radiation emitted from this aperture
ÉVITER L'EXPOSITION- Cette ouverture produit un rayonnement laser
EVITE EXPONERSE -Hay emisión de rayo láser a través de esta abertura

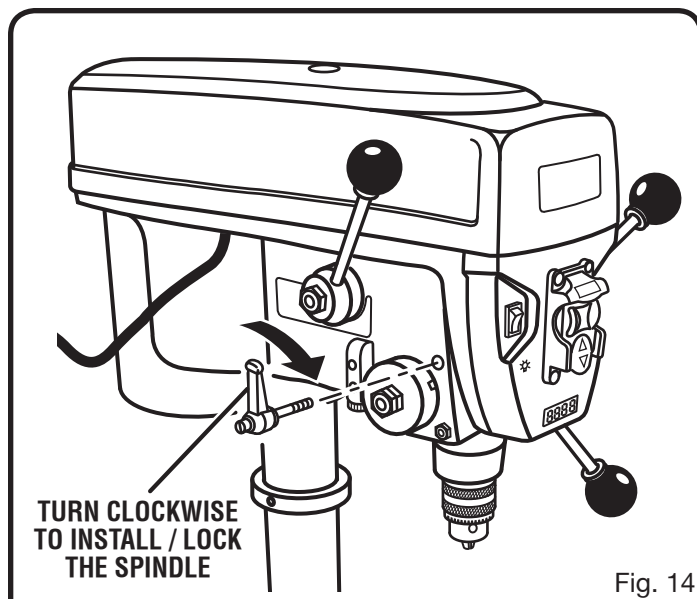


Fig. 14

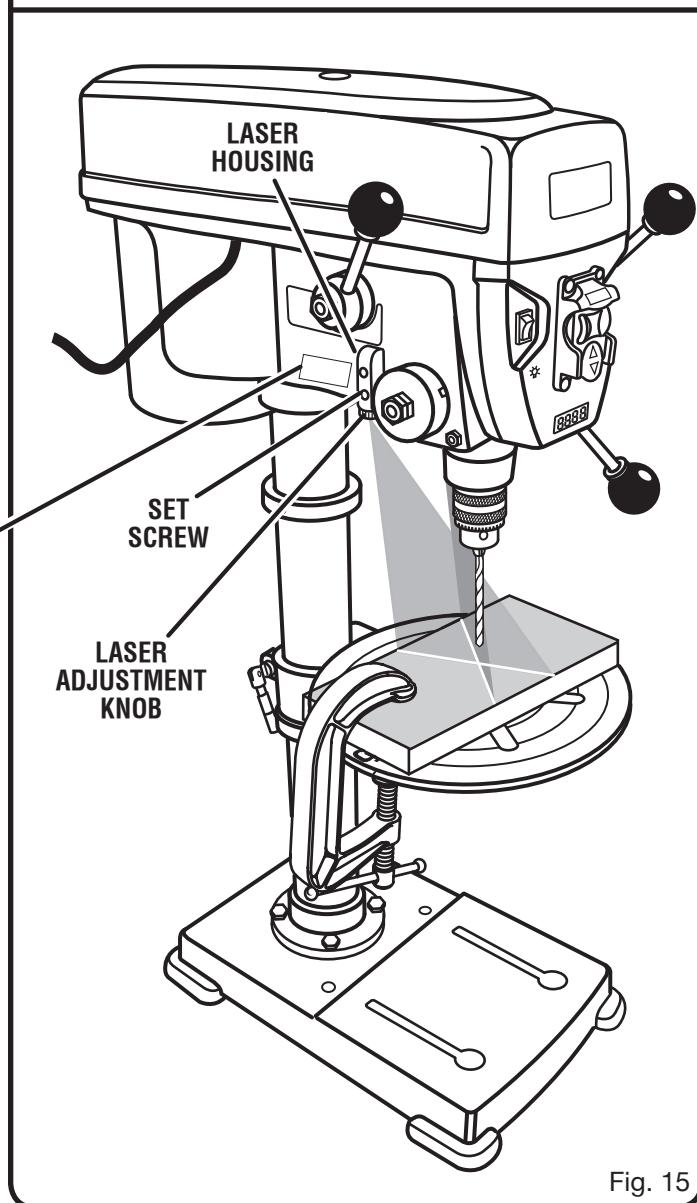


Fig. 15

OPERATION

⚠ WARNING:

Do not allow familiarity with tools to make you careless. Remember that a careless fraction of a second is sufficient to inflict serious injury.

⚠ WARNING:

Always wear safety goggles or safety glasses with side shields when operating power tools. Failure to do so could result in objects being thrown into your eyes resulting in possible serious injury.

⚠ WARNING:

Do not use any attachments or accessories not recommended by the manufacturer of this tool. The use of attachments or accessories not recommended can result in serious personal injury.

⚠ WARNING:

Always remove the switch key when the tool is not in use and keep it in a safe place. In the event of a power failure, turn the switch **OFF (O)** and remove the key. This action will prevent the tool from accidentally starting when power returns.

⚠ WARNING:

Always make sure the workpiece is not in contact with the bit before operating the switch to start the tool. Failure to heed this warning may cause the workpiece to be kicked back toward the operator and result in serious personal injury.

APPLICATIONS

You may use this tool for the purposes listed below:

- Drilling in wood
- Drilling in ceramics, plastics, fiberglass, and laminates
- Drilling in metals

POWER SWITCH

See Figure 16.

The drill press is equipped with a power switch that has a built-in locking feature. This feature is intended to prevent unauthorized and possible hazardous use by children and others.

To turn the drill press on:

- With the switch key inserted into the switch, lift the switch to turn **ON (I)**.

To turn the drill press off:

- With the switch key inserted into the switch, push the switch down to turn **OFF (O)**.

To lock the drill press:

- Place the switch in the **OFF (O)** position.
- Remove the switch key from the switch and store in a secure location.

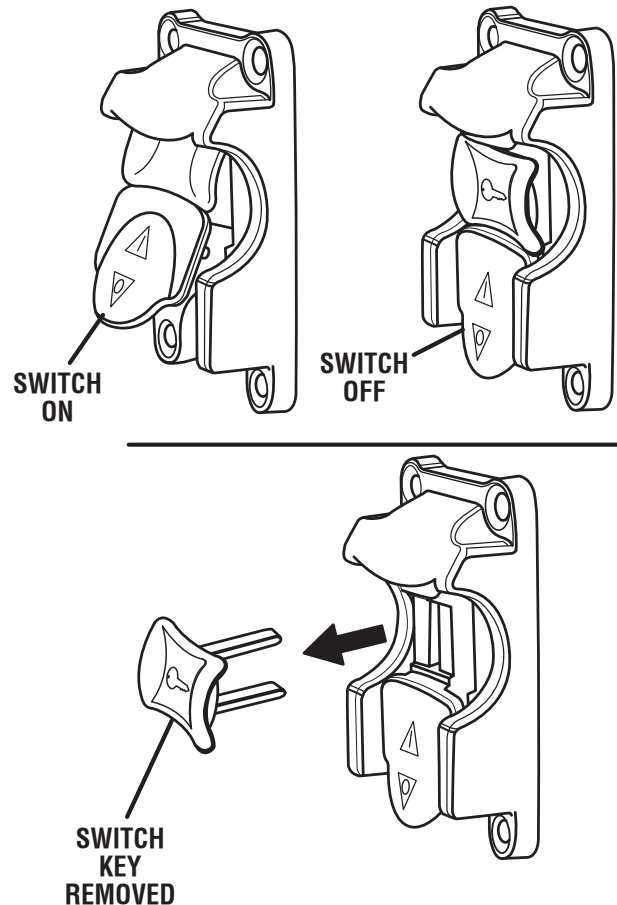


Fig. 16

OPERATION

SELF-EJECTING CHUCK KEY

See Figure 17.

The self-ejecting chuck key ensures the chuck key is removed from the chuck before the drill press is turned on.

In order to loosen or tighten the chuck using the chuck key, push the key into the key hole located on the chuck. Rotate the key clockwise to tighten the chuck or counterclockwise to loosen the chuck.

⚠ WARNING:

Use only the self-ejecting chuck key provided. Always remove chuck key. Failure to heed this warning could result in serious personal injury.

TABLE ROTATION

See Figure 18.

The table can be rotated out of the way when drilling large objects.

- Loosen the table lock handle.
- Rotate the table to the desired position.
- Retighten the table lock handle.

INSTALLING AND REMOVING BITS

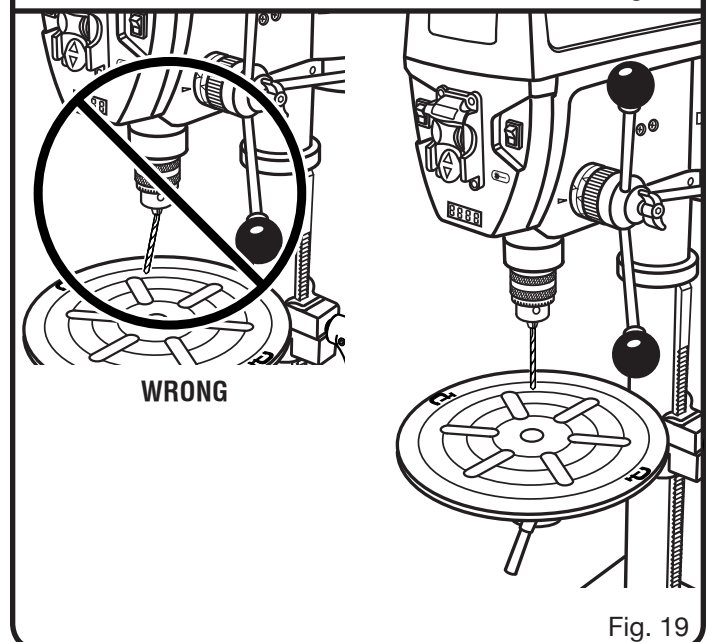
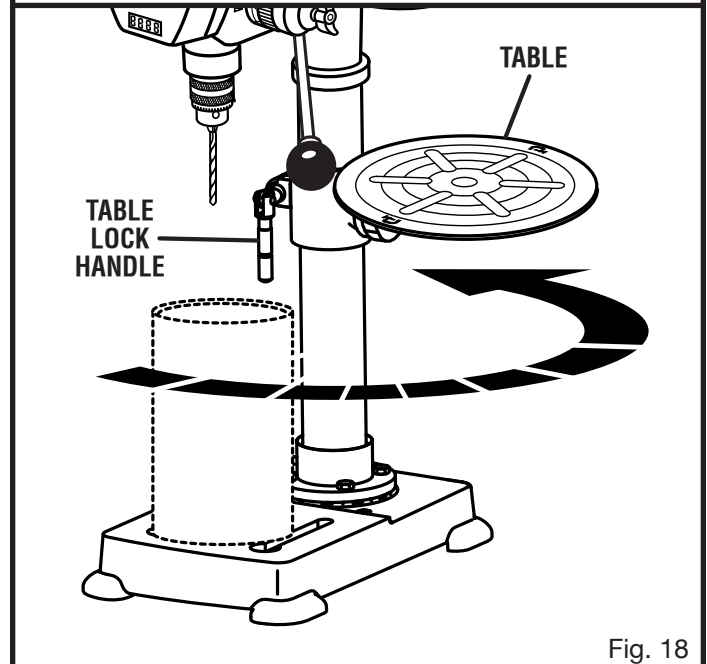
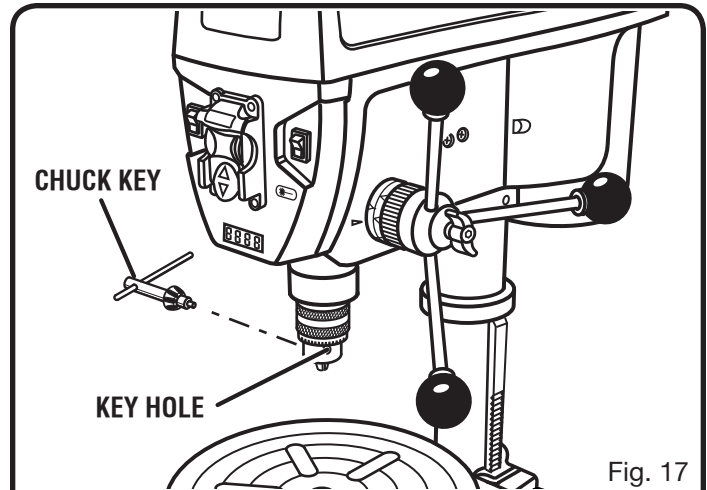
See Figure 19.

- Unplug the drill press.
- Open or close the chuck jaws to a point where the opening is slightly larger than the bit size you intend to use.
- Insert drill bit into the chuck the full length of the jaws.

⚠ WARNING:

Do not insert drill bit into chuck jaws and tighten as shown in figure 19. This could cause drill bit to be thrown from the drill press, resulting in possible serious personal injury or damage to the chuck.

- Tighten chuck jaws securely using chuck key provided. Do not use a wrench to tighten or loosen chuck jaws.
- Remove chuck key.
- To remove the drill bit, reverse the steps listed above.



OPERATION

DRILLING

See Figures 20 - 21.

- Using a clamp, secure the workpiece to the table. To protect the top surface of the workpiece, use a piece of scrap wood between the clamp and the workpiece.
- Select the proper drill bit based on the hole size desired. For large holes, drill a pilot hole first, using a smaller diameter bit.
- Unlock the spindle lock lever and the lock knob. Using the feed handles, set the spindle at the desired depth and retighten both the lock lever and lock knob securely.
- Turning the table adjustment handle, set the table to desired height.

NOTE: Make sure the table is free of all loose objects and the bit is not in contact with the workpiece.

- Plug the electrical cord into power supply and turn the switch **ON**. Make sure spindle rotates freely.
- With the motor running, change the spindle speed with the variable speed lever.

NOTE: The digital display on the front of the drill press will give you the exact spindle speed. Use the chart below to determine speed for the material and drill size.

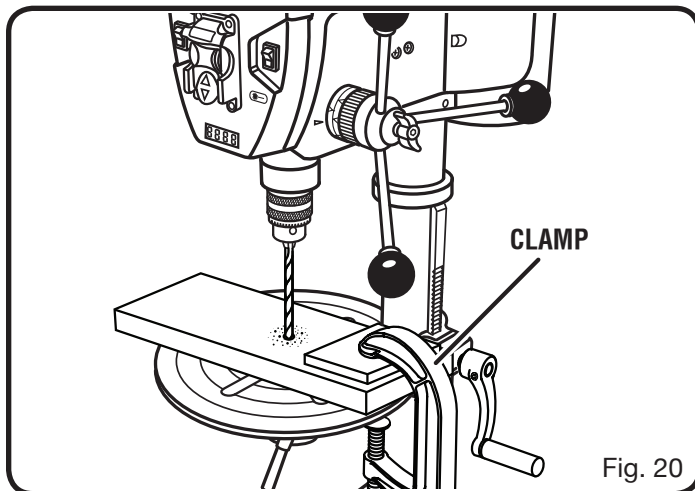


Fig. 20

- Slowly lower drill bit into workpiece. Do not force the bit; let the drill press do the work.
- Once the hole is completed, allow the spindle to return to its normal position. This will automatically raise the chuck and bit.

DRILLING TIPS

- If a large hole is needed, it's a good idea to drill a smaller pilot hole before drilling the final one. Your hole will be more accurately positioned, rounder, and the bits will last longer.
- If the hole is deeper than it is wide, back off occasionally to clear the chips.
- When drilling metal, lubricate the bit with oil to improve drilling action and increase bit life.
- As you increase the bit size, you may need to reduce the spindle speed.
- If drilling a through hole, make sure that the bit will not drill into the table after moving through the workpiece.

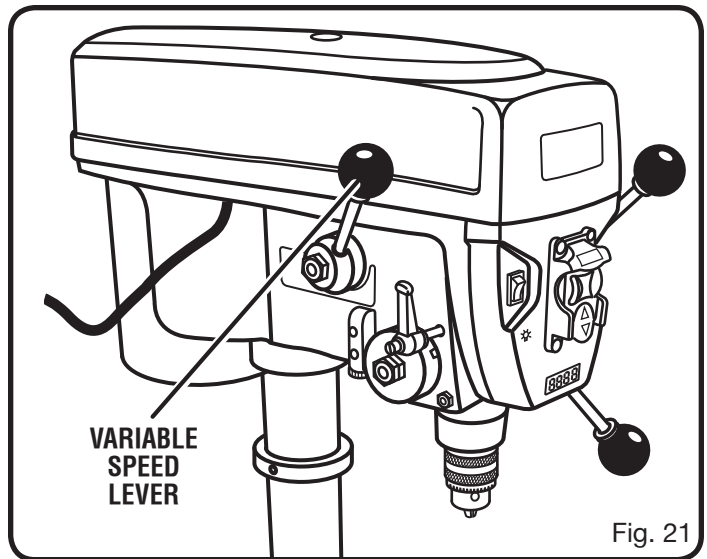


Fig. 21

RECOMMENDED SPEED FOR DRILL SIZE & MATERIAL VITESSE RECOMMANDÉE POUR LA TAILLE DE FORET ET LE MATÉRIAU VELOCIDAD RECOMENDADA PARA EL TAMAÑO DE LA BROCA Y EL MATERIAL

SPEED RANGE (RPM) PLAGE DE RÉGIME (TR/MM) GAMA DE VELOCIDAD (RPM)	WOOD BOIS MADERA		ALUM / ZINC / BRASS ALU / ZINC / LAITON ALUMIN / ZINC / BRONCE		IRON / STEEL FER / ACIER HIERRO / ACERO	
	in. / po. / pulg.	mm	in. / po. / pulg.	mm	in. / po. / pulg.	mm
2150 - 3000	3/8	9.5	7/32	5.6	3/32	2.4
1600 - 2000	5/8	16.0	11/32	8.7	5/32	4.0
1250 - 1400	7/8	22.0	15/32	12.0	1/4	6.4
600 - 700	1-1/4	31.75	11/16	17.5	3/8	9.5
500 - 520	1-5/8	41.0	3/4	19.0	5/8	16.0

ADJUSTMENTS

WARNING:

Before performing any adjustment, make sure the tool is unplugged from the power supply. Failure to heed this warning could result in serious personal injury.

ADJUSTING TABLE HEIGHT

See Figure 22.

- Hold the table with one hand and loosen the table lock handle.
- Rotate the table adjustment handle clockwise to raise the table.
- Rotate the table adjustment handle counterclockwise to lower the table.
- Position the table to the desired height and retighten the table lock handle.

ADJUSTING TABLE BEVEL

See Figure 23.

The drill press is equipped with a tilting table that allows you to drill angled holes. The table can be tilted left or right, from 0° to 45°.

To tilt the table:

- Loosen the large hex bolt located underneath the table.
- Use the bevel scale to tilt the table to the desired angle.
- Retighten the hex bolt securely.

ADJUSTING THE DRILLING DEPTH

See Figure 24.

To adjust the drilling depth when you need to drill a number of holes to exactly the same depth:

- Loosen the lock knob and the spindle lock lever.
- Rotate depth gauge to the desired setting.
- Retighten the lock knob securely using the hex key, if needed.

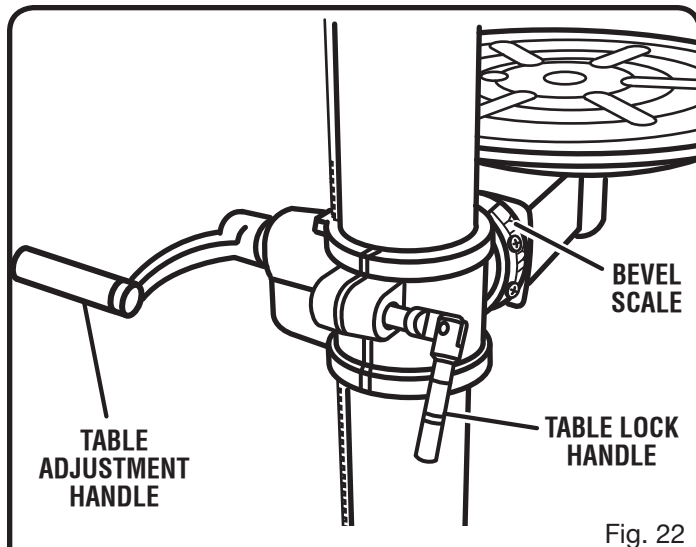


Fig. 22

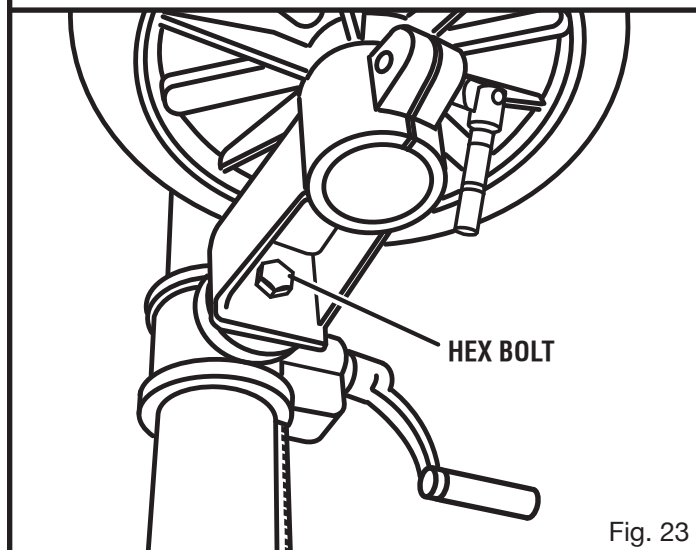


Fig. 23

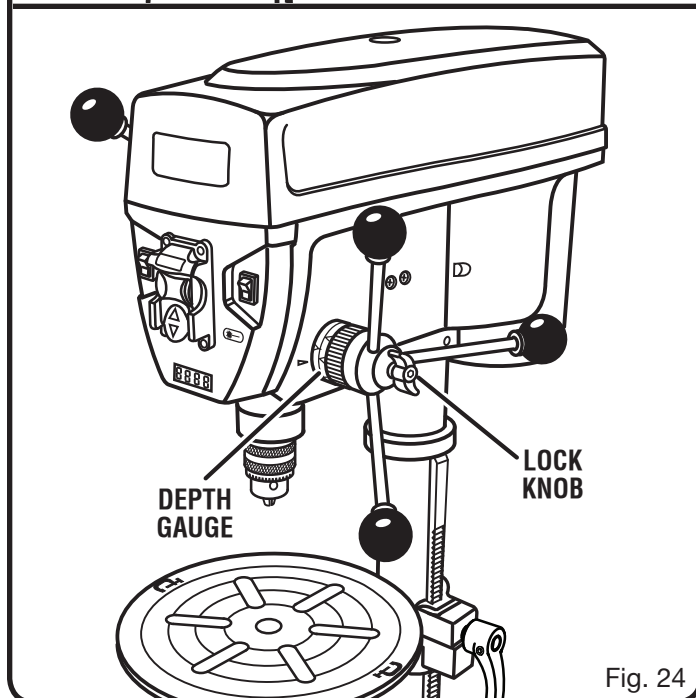


Fig. 24

MAINTENANCE

WARNING:

When servicing, use only identical replacement parts. Use of any other parts may create a hazard or cause product damage.

WARNING:

Always wear safety goggles or safety glasses with side shields during power tool operation or when blowing dust. If operation is dusty, also wear a dust mask.

WARNING:

To prevent accidental starting that could cause possible serious personal injury, turn off the tool, remove the switch key, and unplug the drill press before performing any maintenance or adjustment.

GENERAL MAINTENANCE

Avoid using solvents when cleaning plastic parts. Most plastics are susceptible to damage from various types of commercial solvents and may be damaged by their use. Use clean cloths to remove dirt, dust, oil, grease, etc.

WARNING:

Do not at any time let brake fluids, gasoline, petroleum-based products, penetrating oils, etc., come in contact with plastic parts. Chemicals can damage, weaken or destroy plastic which may result in serious personal injury.

After using the drill press, clean it completely and lubricate all sliding and moving parts. Apply a light coat of automotive-type paste wax to the table and column to help keep the surfaces clean.

LUBRICATION

- Lower spindle to maximum depth and oil moderately once every three months.

- Oil the column lightly every two months.

- If cranking becomes difficult, grease gear rack lightly.

The ball bearings in the tool are permanently lubricated.

MOTOR/ELECTRICAL

The induction motor is easy to maintain but must be kept clean. Do not allow water, oil, or sawdust to accumulate on or in it. The sealed bearings are permanently lubricated and need no further attention.

HEAD ASSEMBLY AND MOTOR HOUSING

Frequently blow out any dust that may accumulate inside the head assembly and/or motor housing.

GEAR RACK

Periodically lubricate the worm gear and gear rack in order to keep the vertical movement smooth and to help prolong the life of the drill press.

REMOVING THE SPINDLE/CHUCK

The chuck tool is used to remove the chuck and/or spindle when either an attachment is to be used or when large drill bits with a tapered shank are to be used.

- Unplug the drill press.

- Lower the spindle until the slots in the spindle are visible.

- Insert the chuck tool into the spindle slot. While supporting the chuck in one hand, tap the chuck tool lightly with a rubber mallet until the chuck and spindle release from the drill press.

- Remove the chuck tool from the spindle.

TROUBLESHOOTING

Problem	Possible Cause	Solution
Noisy operation	Incorrect belt tension Dry spindle Loose spindle pulley or motor pulley	Adjust belt tension. Lubricate spindle. Tighten set screws in pulleys.
Bit burns or smokes	Incorrect speed Chips not coming out of hole Dull bit Feeding too slow Not lubricated	Change speed. Retract bit frequently to clear chips. Sharpen or replace bit. Feed fast enough; allow drill to cut. Lubricate bit for metal work.
Excessive drill runout or wobble	Bent bit Bit not properly installed in chuck Chuck not properly installed Worn spindle bearings	Replace bit. Install bit properly. Install chuck properly. Contact authorized service center.
Drill bit binds in workpiece	Excessive feed pressure Improper belt tension	Reduce feed pressure. Adjust belt tension.
Workpiece support loosens	Workpiece not supported or clamped properly	Check support and/or reclamp workpiece.

