

# User's Guide

## AXIS Q8108-R Network Video Recorder

ENGLISH

FRANÇAIS

DEUTSCH

ITALIANO

ESPAÑOL

## About this Document

This document includes instructions for installing the AXIS Q8108-R Network Video Recorder.

### Legal Considerations


Video and audio surveillance can be prohibited by laws that vary from country to country. Check the laws in your local region before using this product for surveillance purposes.

### Electromagnetic Compatibility (EMC)

This equipment generates, uses and can radiate radio frequency energy and, if not installed and used in accordance with the instructions, may cause harmful interference to radio communications. However, there is no guarantee that interference will not occur in a particular installation.

If this equipment does cause harmful interference to radio or television reception, which can be determined by turning the equipment off and on, the user is encouraged to try to correct the interference by one or more of the following measures: Re-orient or relocate the receiving antenna. Increase the separation between the equipment and receiver. Connect the equipment to an outlet on a different circuit to the receiver. Consult your dealer or an experienced radio/TV technician for help. Shielded (STP) network cables must be used with this unit to ensure compliance with EMC standards.

**USA** – This equipment has been tested and found to comply with the limits for a Class B computing device pursuant to Subpart B of Part 15 of FCC rules, which are designed to provide reasonable protection against such interference when operated in a commercial environment. Operation of this equipment in a residential area is likely to cause interference, in which case the user at his/her own expense will be required to take whatever measures may be required to correct the interference.

**Europe** –  This digital equipment fulfills the requirements for radiated emission according to limit B of EN55022, and the requirements for immunity according to EN55024 residential and commercial industry.

### Equipment Modifications

This equipment must be installed and used in strict accordance with the instructions given in the user documentation. This equipment contains no user-serviceable components. Unauthorized equipment changes or modifications will invalidate all applicable regulatory certifications and approvals.

### Liability

Every care has been taken in the preparation of this document. Please inform your local Axis office of any inaccuracies or omissions. Axis Communications AB cannot be held responsible for any technical or typographical errors and reserves the right to make changes to the product and documentation without prior notice. Axis Communications AB makes no warranty of any kind with regard to the material contained within this document, including, but not limited to, the implied warranties of merchantability

and fitness for a particular purpose. Axis Communications AB shall not be liable nor responsible for incidental or consequential damages in connection with the furnishing, performance or use of this material.

### RoHS

This product complies with both the European RoHS directive, 2002/95/EC, and the Chinese RoHS regulations, ACEPIP.



### WEEE Directive

The European Union has enacted a Directive 2002/96/EC on Waste Electrical and Electronic Equipment (WEEE Directive). This directive is applicable in the European Union member states.



The WEEE marking on this product (see right) or its documentation indicates that the product must not be disposed of together with household waste. To prevent possible harm to human health and/or the environment, the product must be disposed of in an approved and environmentally safe recycling process. For further information on how to dispose of this product correctly, contact the product supplier, or the local authority responsible for waste disposal in your area. Business users should contact the product supplier for information on how to dispose of this product correctly. This product should not be mixed with other commercial waste.

### Support

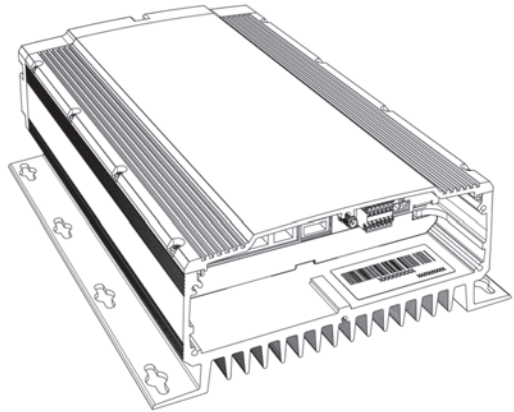
Should you require any technical assistance, please contact your Axis reseller. If your questions cannot be answered immediately, your reseller will forward your queries through the appropriate channels to ensure a rapid response. If you are connected to the Internet, you can:

- download user documentation
- find answers to resolved problems in the FAQ database. Search by product, category, or phrases
- report problems to Axis support by logging in to your private support area.

# AXIS Q8108-R User's Guide

This user's guide provides instructions for installing the AXIS Q8108-R Network Video Recorder.

- Hardware overview - page 4
- Unit connectors - page 5
- Install the hardware - page 8
- Connect the cables - page 9
- Mounting Hard Disk - page 10
- Set up your computer - page 12
- Technical Specifications - page 15



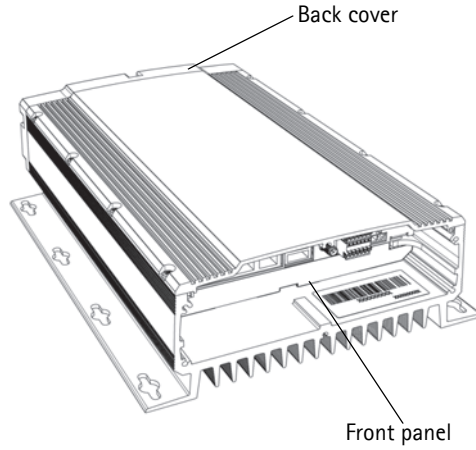
ENGLISH

**Important!**  
 The network video recorder should be installed by a trained professional. Please observe relevant national and local regulations for the installation

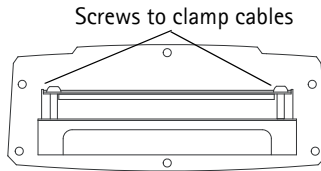
## Package contents

Item	Models/variants/notes
Network Video Recorder	AXIS Q8108-R
Printed materials	AXIS Q8108-R User's Guide (this document)
Included accessories	Power cable with terminal block, Cable shelf
Not included accessory	Power supply, Cable sealing for IP65 rating

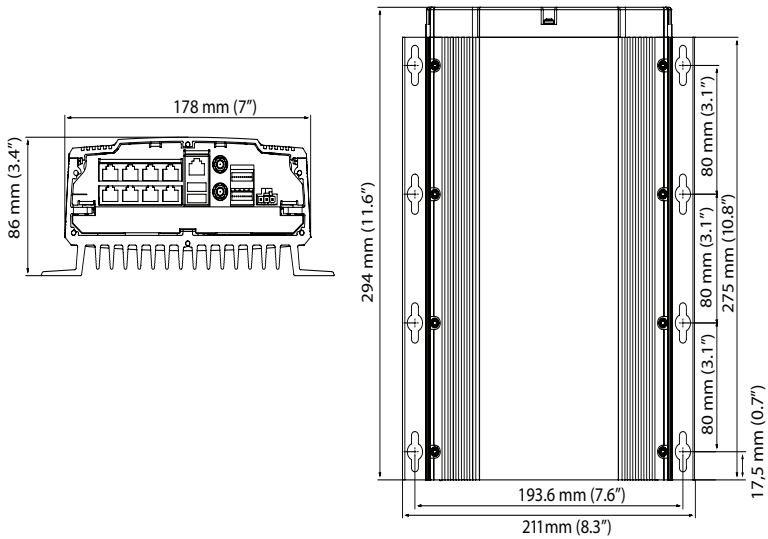
## Hardware overview



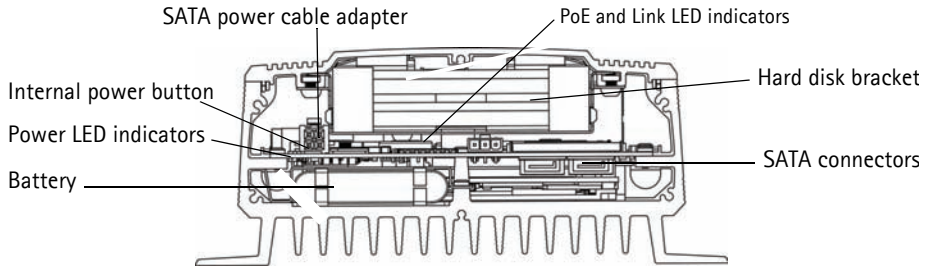
### Cable shelf



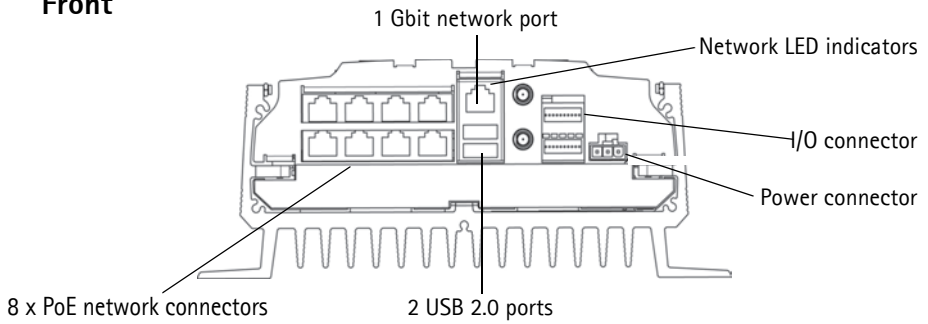
### Dimensions



## Back



## Front



## Unit connectors

**8 PoE network connectors** - RJ-45 Ethernet connectors. Provides power to up to 8 network cameras that are PoE enabled Class 1. The PoE ports are divided into a left and right group of four. A maximum load of 16W is allowed per group. For example, a PoE class 0 can be connected in the left group and up to 4 PoE class 1 can be connected in the right group. If a PoE class 0 is connected, the other ports in the group must not be used. See illustration below and Technical specifications on page 15.

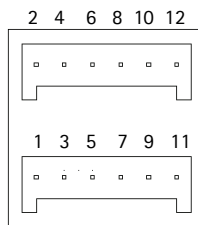
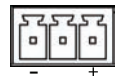
Possible combinations		Left group	Right group	Total
		4 PoE Class 1	4 PoE Class 1	8
		4 PoE Class 1	1 PoE Class 0	5
		1 PoE Class 0	4 PoE Class 1	5
		1 PoE Class 0	1 PoE Class 0	2

**Network connector**- 1 Gbit port for external network connection.

**Power connector**- 3-pin terminal block. Use a fused power supply: 12V DC (10A) or 24V DC (5 A)

**2 USB 2.0 ports** - To be used with any peripheral USB device. Max load = 500mA

**I/O connector** - 2 digital output ports and 8 digital input ports.



## Pin assignment - I/O connector

Pin number	Function	Notes	Specifications
1	Output 1	Open collector NPN transistor with the emitter connected to ground when activated. Outputs are reserved for developer use.	Max load = 500mA
2	Output 2		
3	Input 1	Inactive for voltages less than 1V Active for voltages more than 3V Only one input can be programmed via AXIS NVR manager, see <i>Power Configuration</i> , on page 13	Max input = + 30V
4	Input 2		
5	Input 3		
6	Input 4		
7	Input 5		
8	Input 6		
9	Input 7		
10	Input 8		
11	5V DC Power	Can be used to power auxiliary equipment. Note: This pin can only be used as power out.	Max load = 250mA
12	GND	Ground	

ENGLISH

## LED indicators

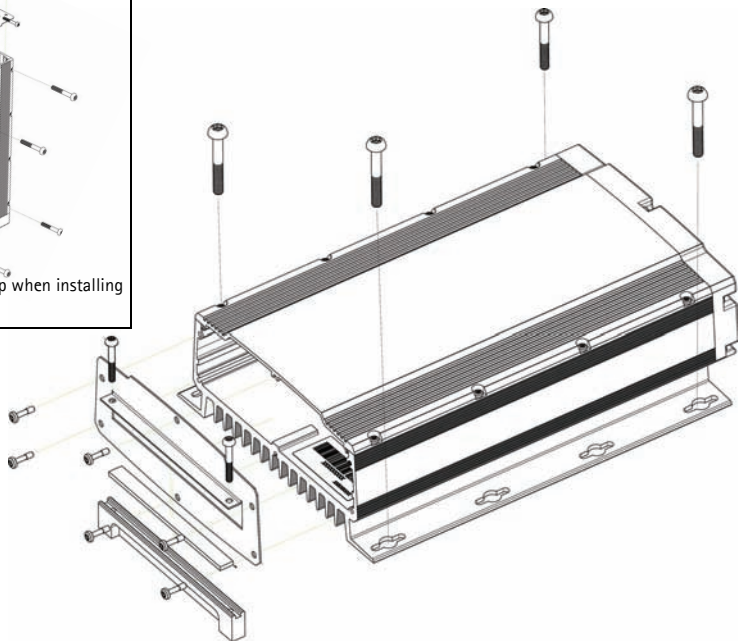
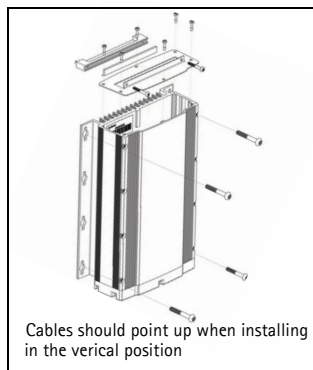
LED	Color	Indication	
Network	Amber	Link established.	
	Green Unlit	Steady for connection to 100 Mbit/s network	
		For connection to 1Gbit/s network	
Power	Green	Power supplied - normal operation.	
	Green and Amber	Battery powered	
	Unlit	Power off	
PoE/Link	Green	Steady	Power is being supplied to the camera
		Flash slowly	Short circuit
		2 flash sequence	Error in PoE connection.
		5 flash sequence	Connected units exceed the max load.
		6 flash sequence	Connected units in the left or right group exceed the max load.
	Amber	Link established	

## Install the hardware

### Before you begin

There are a few considerations before installing the AXIS Q8108-R.

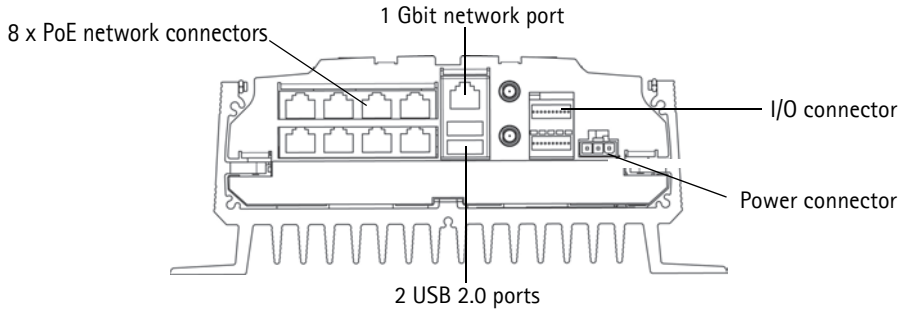
- The AXIS Q8108-R casing is designed to mount directly on any surface using a minimum of 4 screws appropriate for the surface type
  - The operating temperature range is dependent on the Hard Disk
  - Install in an open area allowing for 10mm of space on all sides for cooling and ventilation
  - Ensure there is proper fuse protection: 12V DC (10A) or 24V DC (5 A)
1. Use at least 4 screws appropriate for the surface. The AXIS Q8108-R is designed to install in any position, but if it is to be installed in a vertical position the cable shelf should be pointing up for optimal heat dissipation.



2. Thread the cables through cable shelf. For an IP65 rating use Cable Sealing (not included).
3. Connect all appropriate cables. See *Connect the cables*, on page 9.
4. Attach front cable shelf to AXIS Q8108-R with the four provided screws.
5. Tighten shelf to clamp cables. This prevents connector damage during operation.



## Connect the cables

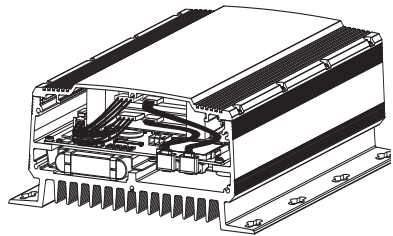
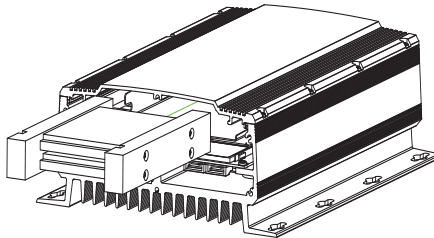
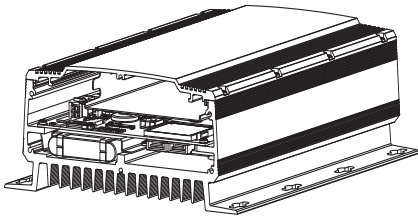


1. Install up to 8 Axis network cameras according to their Installation Guides.
2. Connect cameras to AXIS 8108-R via RJ-45 PoE connectors, which will provide both power and network connection to each camera.
3. Optionally connect external input/output devices.
4. Connect the supplied power cable to the power block.

## Mounting Hard Disk

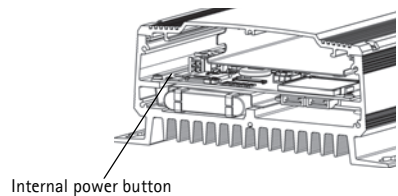
AXIS Q8108-R supports the use of up to 2 separate hard disk. Follow these instructions and consult manufacturer's recommendations to mount or change hard disk.

1. Remove the back cover.
2. Power off the AXIS Q8108-R, see *Start up and shut down*, on page 11 and *LED indicators*, on page 7.
3. Insert hard disks into adapter kit. It's possible to use one 3.5" or up to two 2.5" hard disks.
4. Insert adapter kit with hard disks into the bracket in the lid.
5. Attach the SATA connectors.
6. Power on the device.
7. Replace back cover and tighten screws



## Start up and shut down

The AXIS Q8108-R starts up automatically when power is supplied. See *AXIS NVR Manager*, on page 13 for more options. The AXIS Q8108-R automatically does a controlled shut down after one minute when the power is shut off.



### Internal power button

Use this button to manually start up or shut down the AXIS Q8108-R. When pushed briefly the NVR will power down in a controlled manner, which will take 15 – 30 seconds. If the button is held down for more than 3 seconds the NVR will hard power down. This is useful if for some reason the NVR becomes unresponsive.

The internal power button is also used for resetting the NVR to factory default settings, see **Resetting to the factor default settings**.

### Battery backup function

The AXIS Q8108-R has an Uninterruptable Power Supply (UPS) designed for short power shortages. For periods more than 1 minute, the UPS will provide enough power to the AXIS Q8108-R for a controlled shut down.

A controlled shutdown may not occur if the battery temperature is outside of charging range 0 - 45°C (32 - 113°F).

## Resetting to the factory default settings

This will reset parameters to the factory default settings including the password.

1. Disconnect power from the NVR and remove back cover.
2. Make sure all indicator LEDs are off (this could take a few moments).
3. Press and hold the Internal power button and reconnect power.
4. Release the Internal power button when the power LED is lit.

These settings will be reset:

- Network configuration is set to factory default (DHCP and UPnP™ off)
- Administrator password is set to "password"
- Power Configuration is set to "Automatic"

Resetting the NVR to factory default settings will not affect AXIS Camera Station settings or recordings.

## Set up your computer

This section will help you install AXIS NVR Manager and AXIS Camera Station Client and configure it for your Axis NVRs and Axis Network Cameras. A brief introduction to the functionality of the software is covered here. For more information see the context sensitive help files or, for AXIS Camera Station see the User's Manual available at [www.axis.com](http://www.axis.com)

AXIS NVR Manager is for discovery, configuration and firmware upgrade of AXIS Q8108-R. Go to [www.axis.com](http://www.axis.com) to download AXIS NVR Manager and follow the install wizard's instructions. Make sure you have full administrator rights on the computer you install on.

AXIS Camera Station Client is for monitoring, recording, playback and event management of Axis network cameras. Launch AXIS Camera Station Client from AXIS NVR Manager and follow the install wizard's instructions or download from [www.axis.com](http://www.axis.com).

Minimum recommended requirements for AXIS NVR Manager and AXIS Camera Station Client

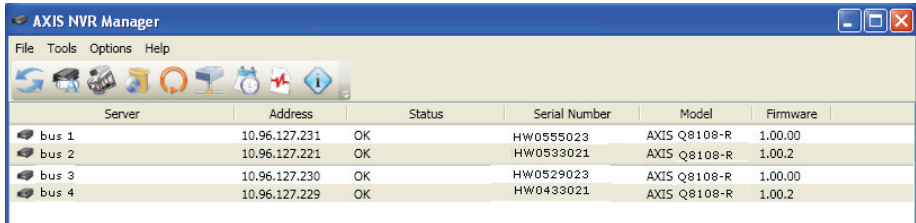
PC minimum requirements:

- Memory: 1 GB RAM
- Software: Windows XP SP2, Server 2003 SP2, Vista, Windows 7 (For other operating systems, see [www.axis.com/techsup](http://www.axis.com/techsup)), Microsoft .NET 3.5 (included in installation package)
- Support for DirectX 9.0c

For individual PC requirements for AXIS Camera Station Client refer to the AXIS Camera Station User's Manual.

## AXIS NVR Manager

1. Connect to the NVR directly via a network cable or through the network and make sure that power has been applied.
2. Start AXIS NVR Manager.
3. AXIS NVR Manager will automatically discover all NVRs that are in the same network. Note that the NVR startup takes more than a minute and must be completed before it can be discovered.



Server	Address	Status	Serial Number	Model	Firmware
bus 1	10.96.127.231	OK	HW0555023	AXIS Q8108-R	1.00.00
bus 2	10.96.127.221	OK	HW0533021	AXIS Q8108-R	1.00.2
bus 3	10.96.127.230	OK	HW0529023	AXIS Q8108-R	1.00.00
bus 4	10.96.127.229	OK	HW0433021	AXIS Q8108-R	1.00.2

### Set the password

The default user name is "Administrator" and password is "password". It is strongly recommended that the Administrator password be changed at once to a strong password containing both upper and lower case letters and numbers.

1. Select the NVR in the AXIS NVR Manager window.
2. Go to **Tools > Set Master Credentials**.
3. Enter a strong password.

### Network configuration

Network settings can be assigned either automatically or manually. Go to **Tools > Network Configuration**

To access the NVR from behind a router UPnP™ must be enabled in AXIS NVR Manager. Check **Enable UPnP™** under **Network Configuration**. When enabling UPnP™, the NVR needs to be in the subnet as your computer. Make sure that the router is UPnP™ capable and has UPnP™ enabled.

**Caution:**

For security reasons, enable UPnP™ in order to access the NVR via AXIS NVR Manager or AXIS Camera Station only when the NVR is behind a router that requires NAT traversal.

### Power Configuration

To configure how the NVR powers on, go **Tools > Power Configuration**. The AXIS Q8108-R can be configured to power on automatically when external power is available, manually with the internal power button, or when an external button is wired to an input port.

**Note:**

If power configuration is done incorrectly you might not be able to start the NVR. To remedy this situation go to *Resetting to the factory default settings*, on page 11 and follow the instructions.

## AXIS Camera Station

AXIS Camera Station Client is for monitoring, recording, playback and event management.

### Connect AXIS Camera Station Client

From AXIS NVR Manager select an NVR device and click the **Launch AXIS Camera Station Client** icon or start AXIS Camera Station Client from your computer and use the NVR's network address in the logon dialog.

#### Notes:

- If the correct version of AXIS Camera Station Client has not been previously installed on the computer running AXIS NVR Manager, a prompt will appear to perform an installation.
- Prior versions of AXIS Camera Station Client and AXIS Camera Station Server need to be removed from the computer before installing this version. Do not continue with the installation if the removal of prior versions is not your intent.

To log onto the NVR enter the administrator user name and password you set up in NVR Manager see *Set the password*, on page 13.

### Configure AXIS Camera Station

For easy navigation AXIS Camera Station is divided into workspaces; **Live view**, **Recordings**, **Logs** and **Configuration**.

- **Live view** – Provides a single interface to organize and monitor AXIS network cameras and video encoders on your network
- **Recordings** – Search, playback and export recordings from one or many cameras in a desired time interval with timeline visualization
- **Logs** – Alarm, event and audit logs for an instant overview of the system
- **Configuration** – has a collection of all the important links to add cameras, set up recording settings, user permissions, event configuration and more

When AXIS Camera Station is started for the first time it automatically adds Axis cameras and video encoders it finds on your network. If there are more cameras on your network than you have a license for, go to **Configuration > Add/Edit Cameras**.

#### Note:

To use the NVR as an NTP server for the added cameras, use the NVR's IP address.

For more information see the context sensitive help in AXIS Camera Station or the User's Manual.

## Technical Specifications

Function/ group	Item	Specification
	Model	AXIS Q8108-R
System	Processor	1.1GHz Intel Atom Z5 series CPU
	RAM	1GB SODIMM DDR2
	System disk	Compact Flash PATA drive 4GB
	Operating system	Windows Embedded Standard 2009
	Battery backup	Controlled shutdown 1 minute after power loss
Network	Security	Password protection, user access log
	NTP	NTP server included
Software	Video Management Software	AXIS Camera Station, 8-channel license included. For more information, see <a href="http://www.axis.com/products/cam_station_software">www.axis.com/products/cam_station_software</a>
	Application Programming Interface	Open API for software integration
	Video compression	H.264 (MPEG-4 Part 10/AVC), MPEG-4 Part 2, Motion JPEG
	Audio compression	AAC,G.711, G.726
	Resolutions	Supports connected Axis video product resolutions
	Recording frame rate	Supports connected Axis video product frame rates (Maximum total recording bit rate 70 Mb/s)
General	Casing	Rugged IP43 rated aluminum casing
	Input voltage	12 or 24V DC
	Max power	84 W
	PoE output	8 PoE class 1, or 1 PoE class 0 + 4 PoE class 1, or 2 PoE class 0
	Connectors	2x high speed USB ports, 1x Gbit port for external connection, 8 RJ-45 10BASE-T/100BASE-TX PoE, 2 digital output ports and 8 digital input ports, 2 SATA connectors
	Operating Temperatures	-10 to 50 °C (14 - 122 °F)
	Weights	3.7 kg (8.14 lb)

Function/ group	Item	Specification
	<b>Approvals</b>	EU directive 2002/96/EC, MIL STD-810F Method 516.5 Procedure I, MIL STD-810F method 514.5, EN 55022, EN 55024, EN 61000-4-2, ISO 11452-2, EN 61000-4-3, ISO 11452-2, EN 61000-4-4, EN 61000-4-5, EN 61000-4-11, ISO 7637-2, EN50121-3-2, FCC part 15 subpart B class B
	<b>Project customization</b>	WLAN 802.11b/g, GSM/UMTS/HSDPA, GPS, Accelerometer

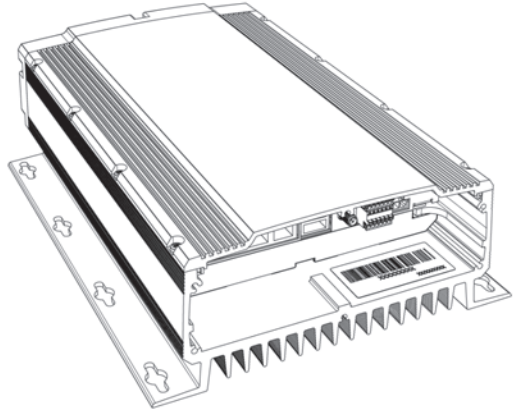


# AXIS Q8108-R

## Guide d'utilisation

Ce guide fournit des instructions relatives à l'utilisation du AXIS Q8108-R Enregistreur vidéo sur IP.

- Vue d'ensemble du matériel - page 18
- Connecteurs de l'appareil - page 19
- Installation du matériel - page 22
- Branchement des câbles - page 23
- Montage de disque dur - page 24
- Configuration de votre ordinateur - page 26
- Caractéristiques techniques - page 29



FRANÇAIS

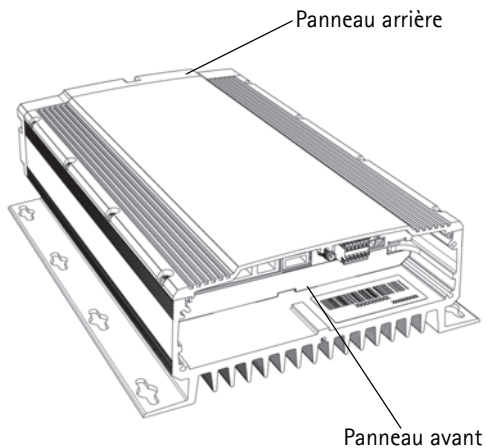
**Important !**

L'enregistreur vidéo sur IP doit être installé par un professionnel qualifié. Veuillez vous conformer aux règlements nationaux et locaux appropriés pour l'installation.

### Contenu de l'emballage

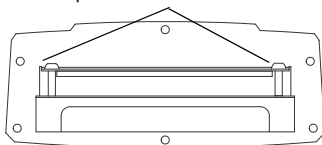
Élément	Modèles/variantes/remarques
Enregistreur vidéo sur IP	AXIS Q8108-R
Documentation imprimée	Guide d'utilisation AXIS Q8108-R(ce document)
Accessoires fournis	Câble d'alimentation avec bloc terminal, goulotte de câblage
Accessoires non fournis	Alimentation, un dispositif d'étanchéité pour câble pour degré de protection IP65

## Description du matériel

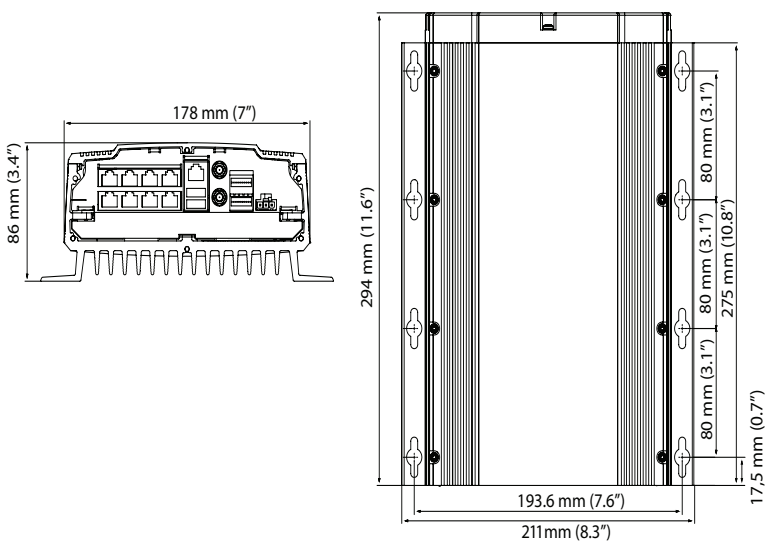


### Goulotte de câblage

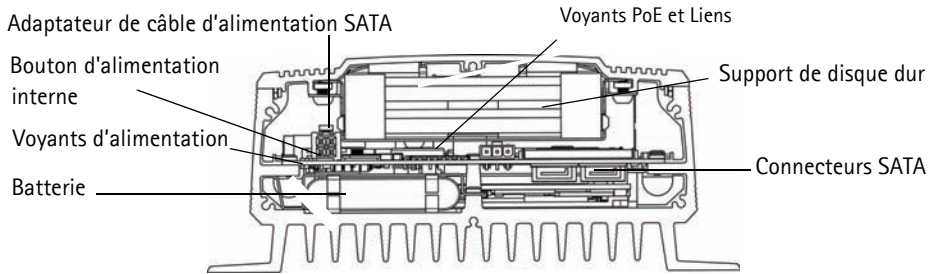
Vis pour attacher les câbles



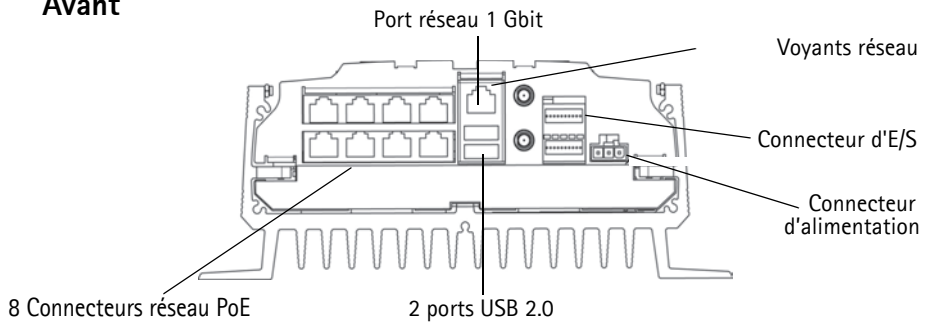
## Dimensions



## Arrière

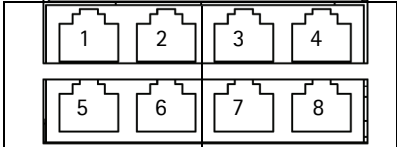


## Avant



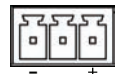
## Connecteurs de l'unité

**8 Connecteurs réseau PoE** – Connecteurs Ethernet RJ-45. Alimente au maximum 8 caméras réseau qui sont compatibles PoE classe 1. Les ports PoE sont divisés en groupes de quatre, un à droite et un à gauche. Une charge maximale de 16W est autorisée par groupe. Par exemple, un PoE classe 0 peut être connecté au groupe de gauche et jusqu'à 4 PoE classe 1 peuvent être connectés au groupe de droite. Si un PoE classe 0 est connecté, les autres ports du groupe ne doivent pas être utilisés. Voir l'illustration ci-dessous et les spécifications techniques. page 29

Les combinaisons possibles				
		<b>Groupe de gauche</b>	<b>Groupe de droite</b>	<b>Total :</b>
<b>Groupe de gauche</b> 4 PoE classe 1 1 PoE classe 0 Charge maximale = 16W		<b>Groupe de droite</b> 4 PoE classe 1 1 PoE classe 0 Charge maximale = 16W		
		4 PoE classe 1	4 PoE classe 1	8
		4 PoE classe 1	1 PoE classe 0	5
		1 PoE classe 0	4 PoE classe 1	5
		1 PoE classe 0	1 PoE classe 0	2

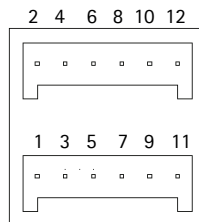
**Connecteur réseau** – 1 port Gbit pour la connexion réseau externe.

**Connecteur d'alimentation** – bloc terminal à trois broches. Utilisez une alimentation protégée par fusibles : 12V CC (10A) ou 24V CC (5 A)



**2 ports USB 2.0** – Pour être utilisés avec tout périphérique USB. Charge maximale = 500mA

**Connecteur d'entrée/sortie** – 2 ports de sortie numérique et 8 ports d'entrée numérique.



## Affectation des broches - connecteur d'E/S

Numéro de broche	Fonction	Remarques	Caractéristiques techniques
1	Sortie 1	Transistor NPN à collecteur ouvert avec émetteur connecté à la terre lorsqu'il est activé. Les sorties sont réservées aux développeurs.	Charge maximale = 500mA
2	Sortie 2		
3	Entrée 1	Inactive pour des tensions inférieures à 1V Active pour des tensions supérieures à 3V Une seule entrée peut être programmée via AXIS NVR manager, voir <i>Configuration de l'alimentation</i> , à la page 27	Entrée maximum = + 30V
4	Entrée 2		
5	Entrée 3		
6	Entrée 4		
7	Entrée 5		
8	Entrée 6		
9	Entrée 7		
10	Entrée 8		
11	Alimentation en courant continu de 5V	Peut servir à alimenter le matériel auxiliaire. Remarque : Cette broche ne peut être utilisée que comme sortie d'alimentation.	Charge maximale = 250mA
12	GND (Terre)	Mise à la terre	

## Voyants LED

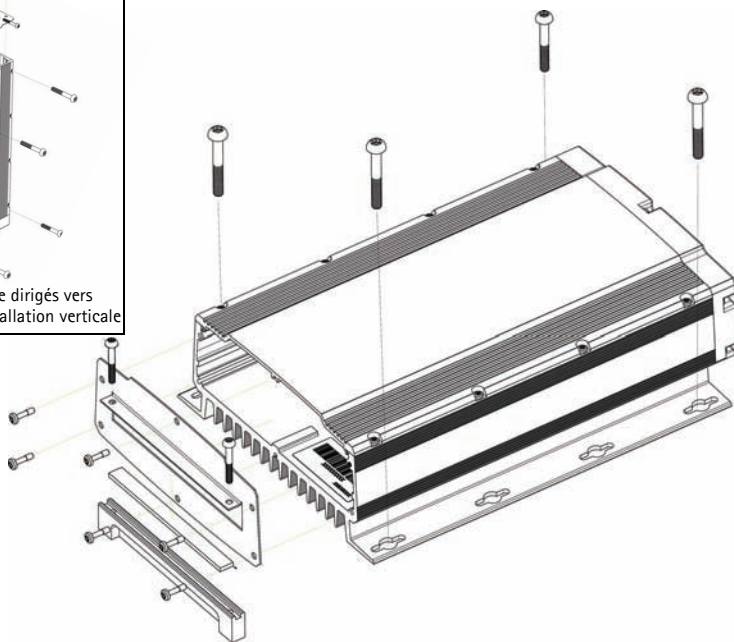
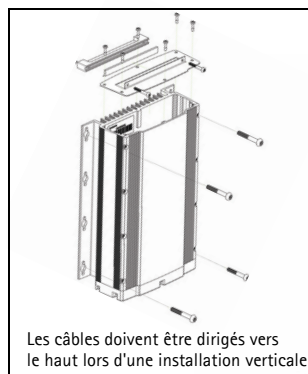
	Couleur	Indication	
Connecteur	Orange	Lien établi.	
	Vert Éteint	Continu en cas de connexion à un réseau de 100Mbps/s. Pour la connexion à un réseau de 1Gbit/s	
Alimentation	Vert	Alimentation fournie - fonctionnement normal.	
	Vert et orange	Alimenté par batterie	
	Éteint	Hors tension	
PoE/Lien	Vert	Continu	Alimentation fournie à la caméra
		Clignote lentement	Court-circuit
		2 séquences de clignotement	Erreur au niveau de la connexion PoE.
		5 séquences de clignotement	Les périphériques branchés dépassent la charge maximale.
		6 séquences de clignotement	Les périphériques branchés au groupe de gauche ou de droite dépassent la charge maximale.
	Orange	Lien établi	

## Installation du matériel

### Avant de commencer

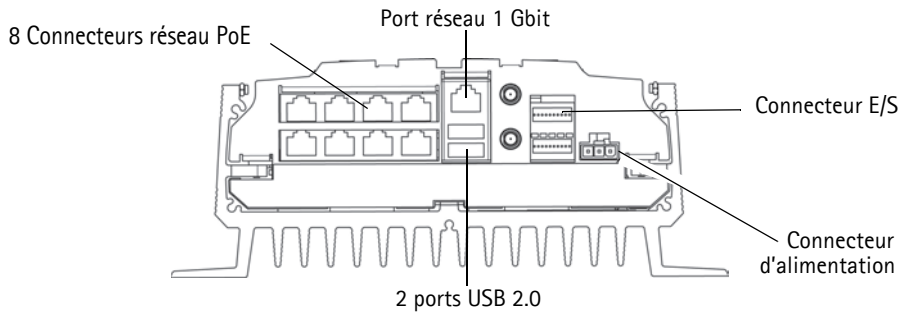
Il ya quelques éléments à prendre en considération avant d'installer le.AXIS Q8108-R

- Le boîtier AXIS Q8108-R est conçu pour être monté directement sur n'importe quelle surface en utilisant un minimum de 4 vis appropriées selon le type de surface
  - La plage de température d'exploitation dépend du disque dur
  - A installer dans un espace ouvert avec 10mm d'espace libre de chaque côté pour le refroidissement et la ventilation
  - Veillez à ce qu'il y ait une protection par fusible appropriée : 12V CC (10A) ou 24V CC (5 A)
1. Utilisez au moins 4 vis adaptées à la surface. L'AXIS Q8108-R est conçu pour être installé dans n'importe quelle position, mais s'il doit être installé en position verticale, la goulotte de câblage doit être dirigée vers le haut pour une dissipation thermique optimale.



2. Enfilez les câbles à travers la goulotte de câblage. Pour un degré de protection IP65 , utilisez un dispositif d'étanchéité pour câble (non fourni).
3. Connectez tous les câbles appropriés. Reportez-vous à la *Branchement des câbles*, à la page 23.
4. Fixez l'avant de la goulotte de câblage à l'AXIS Q8108-R avec les quatre vis fournies.
5. Serrez la goulotte pour attacher les câbles. Ceci évitera un endommagement des connecteurs pendant le fonctionnement.

## Branchement des câbles

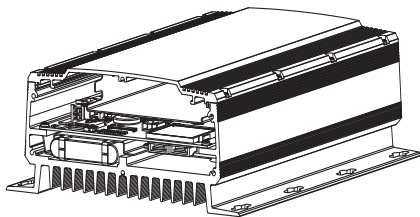


1. Installer jusqu'à 8 caméras réseau Axis conformément à leurs guides d'installation.
2. Connectez les caméras à l'AXIS 8108-R via des connecteurs RJ-45 PoE, qui fourniront pour chaque caméra l'alimentation électrique et la connexion réseau.
3. Si vous le souhaitez, connectez des dispositifs d'entrée/sortie externes.
4. Branchez le câble d'alimentation fourni dans le bloc d'alimentation.

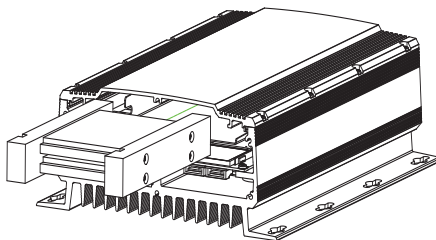
## Installation de disque dur

AXIS Q8108-R prend en charge jusqu'à 2 disques durs séparés. Suivez les instructions suivantes et consultez les recommandations du fabricant pour installer ou changer un disque dur.

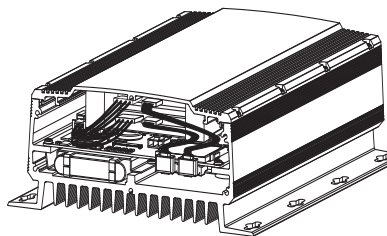
1. Retirez le panneau arrière.
2. Mettez hors tension l'AXIS Q8108-R, voir *Démarrer et arrêter*, à la page 25 et *Voyants LED*, à la page 21.
3. Insérez les disques durs dans le kit adaptateur. On peut utiliser un disque dur 3,5" ou deux disques durs 2,5".
4. Insérez le kit adaptateur avec les disques durs dans le support du couvercle.
5. Attachez les connecteurs SATA.
6. Allumez l'appareil.
7. Remettez le panneau arrière et serrez les vis



1



2

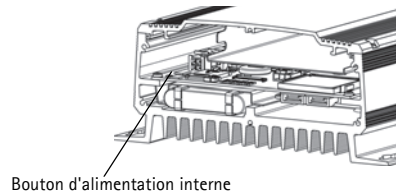


3



## Démarrer et arrêter

L'AXIS Q8108-R démarre automatiquement dès que l'alimentation est fournie. Reportez-vous à *AXIS NVR Manager*, à la page 27 pour plus d'options. L'AXIS Q8108-R fait automatiquement un contrôle d'arrêt une minute après la coupure de l'alimentation.



### Bouton d'alimentation interne

Utilisez ce bouton pour démarrer ou arrêter manuellement l'AXIS Q8108-R. Lorsqu'il est appuyé brièvement, l'enregistreur vidéo sur IP (NVR) s'éteint d'une manière contrôlée, qui prend de 15 à 30 secondes. Si le bouton est maintenu enfoncé pendant plus de 3 secondes, l'enregistreur vidéo sur IP (NVR) s'éteint brutalement. Ceci peut s'avérer utile surtout lorsque l'enregistreur vidéo sur IP (NVR), pour une raison quelconque, ne répond plus.

Le bouton d'alimentation interne est également utilisé pour le rétablissement des paramètres par défaut de l'enregistreur vidéo sur IP (NVR), voir **Rétablissement des paramètres par défaut**.

### Rôle de la batterie de secours

L'AXIS Q8108-R est doté d'une alimentation sans interruption (ASI) conçue pour les coupures d'alimentation courtes. Pour les durées de plus d'une minute, l'ASI fournira suffisamment d'énergie pour un arrêt contrôlé de l'AXIS Q8108-R.

Un arrêt contrôlé ne peut pas se produire si la température de la batterie est en dehors de l'intervalle de charge qui est entre 0 et - 45°C (32 - 113°F).

## Rétablissement des paramètres par défaut

Ceci permet de rétablir les paramètres par défaut, y compris le mot de passe.

1. Débranchez l'enregistreur vidéo sur IP (NVR) et enlevez le panneau arrière.
2. Assurez-vous que tous les voyants sont éteints (cela peut prendre quelques instants).
3. Maintenez enfoncé le bouton d'alimentation interne et rebranchez.
4. Relâchez le bouton d'alimentation interne lorsque le voyant d'alimentation s'allume.

Les paramètres suivants seront réinitialisés :

- La configuration du réseau sera définie aux paramètres par défaut (DHCP et UPnP™ désactivés)
- Le mot de passe administrateur sera défini à "password"
- La configuration d'alimentation sera définie à "Automatique"

Le rétablissement des paramètres par défaut de l'enregistreur vidéo sur IP (NVR) n'affecte pas les paramètres de l'AXIS Camera Station ou les enregistrements.

## Configuration de votre ordinateur

Cette section vous aidera à installer les logiciels AXIS NVR Manager et l'AXIS Camera Station Client, et à configurer vos enregistreurs vidéo sur IP Axis et les caméras réseau Axis. Voici une brève présentation des fonctionnalités du logiciel. Pour plus d'informations voir les fichiers d'aide contextuels ou, pour l'AXIS Camera Station voir le manuel d'utilisation qui est disponible sur le site [www.axis.com](http://www.axis.com)

Le logiciel AXIS NVR Manager est pour la détection, la configuration et la mise à niveau du micrologiciel de l'AXIS Q8108-R. Aller à [www.axis.com](http://www.axis.com) pour télécharger AXIS NVR Manager et suivez les instructions de l'Assistant d'installation. Assurez-vous que vous disposez de tous les droits administrateur de l'ordinateur sur lequel vous installez.

AXIS Camera Station Client est pour la surveillance, l'enregistrement, la lecture et la gestion des événements des caméras réseau Axis. Lancez AXIS Camera Station Client à partir d'AXIS NVR Manager et suivez les instructions de l'assistant ou téléchargez à partir de [www.axis.com](http://www.axis.com).

Configuration minimale recommandée pour AXIS NVR Manager et AXIS Camera Station Client

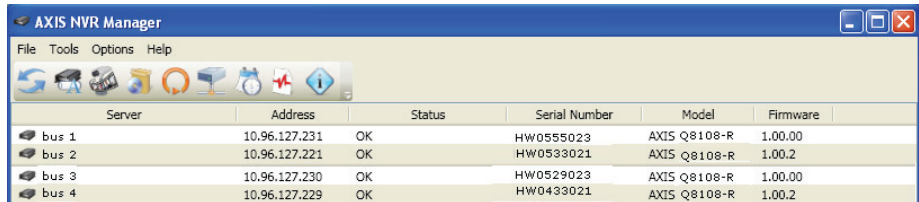
Configuration minimale PC :

- Mémoire : 1 Go de mémoire RAM
- Logiciel : Windows XP SP2, Server 2003 SP2, Vista, Windows 7 (pour les autres systèmes d'exploitation, voir [www.axis.com/techsup](http://www.axis.com/techsup)), Microsoft .NET 3.5 (inclus dans le package d'installation)
- Support pour DirectX 9.0c

Pour des configurations PC particulières pour l'AXIS Camera Station Client reportez-vous au manuel d'utilisation d'AXIS Camera Station.

## AXIS NVR Manager

1. Connectez-vous directement à l'enregistreur vidéo sur IP (NVR) via un câble réseau ou le réseau et assurez-vous que l'appareil est sous tension.
2. Lancez AXIS NVR Manager.
3. AXIS NVR Manager va détecter automatiquement tous les enregistreurs vidéo sur IP (NVR) qui sont dans le même réseau. Notez que le démarrage d'un enregistreur vidéo sur IP (NVR) prend plus d'une minute et doit être terminé pour qu'il puisse être détecté.



Server	Address	Status	Serial Number	Model	Firmware
bus 1	10.96.127.231	OK	HW0555023	AXIS Q8108-R	1.00.00
bus 2	10.96.127.221	OK	HW0533021	AXIS Q8108-R	1.00.2
bus 3	10.96.127.230	OK	HW0529023	AXIS Q8108-R	1.00.00
bus 4	10.96.127.229	OK	HW0433021	AXIS Q8108-R	1.00.2

## Configuration du mot de passe

Le nom d'utilisateur par défaut est "Administrator" et le mot de passe par défaut est "password". Il est fortement recommandé de changer le mot de passe Administrateur par un nouveau mot de passe contenant à la fois des lettres majuscules et minuscules et des chiffres.

1. Sélectionnez l'enregistreur vidéo sur IP (NVR) dans la fenêtre AXIS NVR Manager.
2. Aller à Tools > Set Master Credentials.
3. Entrez un mot de passe difficile.

## Configuration réseau

Les paramètres réseau peuvent être attribués automatiquement ou manuellement. Aller à Tools > Network Configuration (outils de configuration réseau).

Pour accéder à l'enregistreur vidéo sur IP (NVR) derrière un routeur, UPnP™ doit être activé dans AXIS NVR Manager. Activez la case **Enable UPnP™** sous **Network Configuration**. Lors de l'activation d'UPnP™, l'enregistreur vidéo sur IP (NVR) doit être dans le même sous-réseau que votre ordinateur. Assurez-vous que le routeur supporte UPnP™ et a UPnP™ activé.

### Attention :

Pour des raisons de sécurité, activer UPnP™ pour accéder à l'enregistreur vidéo sur IP (NVR) via l'AXIS NVR Manager ou l'AXIS Camera Station uniquement lorsque l'enregistreur vidéo sur IP (NVR) est derrière un routeur qui nécessite un NAT traversal.

## Configuration de l'alimentation

Pour configurer le démarrage de l'enregistreur vidéo sur IP (NVR), allez à Tools > Power Configuration (outils de Configuration de l'alimentation). L'AXIS Q8108-R peut être configuré pour démarrer automatiquement lorsqu'une alimentation externe est disponible, manuellement avec le bouton d'alimentation interne, ou quand un bouton externe est branché à un port d'entrée.

### Remarque :

Si la configuration de l'alimentation est faite de manière incorrecte vous pourriez ne pas être en mesure de démarrer l'enregistreur vidéo sur IP (NVR). Pour remédier à cette situation aller à *Rétablissement des paramètres par défaut*, à la page 25 et suivez les instructions.

## AXIS Camera Station

AXIS Camera Station Client est pour la surveillance, l'enregistrement, la lecture et la gestion des événements.

### Connexion d'AXIS Camera Station Client

Dans AXIS NVR Manager sélectionnez un périphérique enregistreur vidéo sur IP (NVR) et cliquez sur l'icône de lancement d'AXIS Camera Station Client ou démarrez AXIS Camera Station Client à partir de votre ordinateur et utilisez l'adresse réseau de l'enregistreur vidéo sur IP (NVR) de la boîte de dialogue de connexion.

#### Remarques :

- Si la version correcte d'AXIS Camera Station Client n'a pas déjà été installée sur l'ordinateur sur lequel tourne AXIS NVR Manager, une invite s'affiche pour effectuer une installation.
- Les versions antérieures d'AXIS Camera Station Client et AXIS Camera Station Server doivent être supprimées de l'ordinateur avant d'installer cette version. Ne poursuivez pas l'installation si vous n'avez pas l'intention de supprimer les versions antérieures.

Pour vous connecter à un enregistreur vidéo sur IP (NVR), entrez le nom d'utilisateur et le mot de passe administrateur que vous définissez dans NVR Manager, voir *Configuration du mot de passe*, à la page 27.

### Configuration de AXIS Camera Station

Pour faciliter la navigation, AXIS Camera Station est divisé en espaces de travail : **Live View (Vidéo en direct)**, **enregistrements**, **journaux** et **configuration**.

- **Vidéo en direct** : propose une interface unique pour organiser et surveiller les caméras du réseau Axis et les encodeurs vidéo de votre réseau.
- **Enregistrements** : rechercher, visionner et exporter des enregistrements d'une ou plusieurs caméras dans un intervalle de temps spécifique grâce à la visualisation chronologique.
- **Journaux** : journaux d'alarmes et d'événements et listes de contrôle pour une vue globale instantanée du système.
- **Configuration** : propose tous les liens importants permettant d'ajouter des caméras, de configurer les paramètres d'enregistrement, les droits d'accès utilisateur, les événements de configuration, etc.

Lors du premier démarrage d'AXIS Camera Station, les encodeurs vidéo et caméras AXIS se trouvant sur votre réseau sont automatiquement ajoutés. S'il y a plus de caméras sur votre réseau que vous en avez de licences, allez à **Configuration > Add/Edit Cameras (Configuration Ajouter/Modifier Caméra)**.

#### Remarque :

Pour utiliser un enregistreur vidéo sur IP (NVR) comme un serveur NTP pour les caméras ajoutées, utilisez l'adresse IP de l'enregistreur vidéo sur IP (NVR).

Pour plus d'informations, reportez-vous à l'aide contextuelle d'AXIS Camera Station ou au manuel d'utilisation.

## Caractéristiques techniques

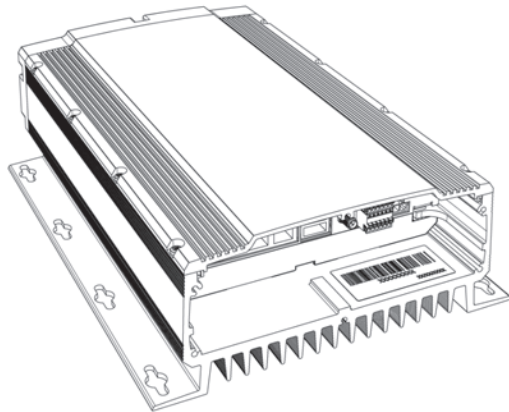
Fonction/ groupe	Élément	Caractéristique technique
	Modèle	AXIS Q8108-R
Système	Processeur	CPU de la série Atom Z5 d'Intel à 1.1GHz
	Mémoire RAM	1Go SODIMM DDR2
	Disque système	Disque dur PATA Compact Flash de 4Go
	Système d'exploitation	Windows Embedded Standard 2009
	Batterie de secours	Arrêt contrôlé 1 minute après une panne de courant
Réseau	Sécurité	Protection par mot de passe, journal des accès utilisateur
	NTP	Serveur NTP inclus
Logiciel	Logiciel de gestion vidéo	AXIS Camera Station, licence 8 canaux incluse. Pour tout complément d'information, reportez-vous à <a href="http://www.axis.com/products/cam_station_software">www.axis.com/products/cam_station_software</a>
	Interface de programmation d'applications	API ouverte pour l'intégration logicielle
	Compression vidéo	H.264 (MPEG-4 Partie 10/AVC), MPEG-4 Partie 2, Motion JPEG
	Compression audio	AAC,G.711, G.726
	Résolutions	Prise en charge des résolutions des produits vidéo Axis connectés
	Fréquence d'image d'enregistrement	Prise en charge des fréquences d'image des produits vidéo Axis connectés (le débit binaire total maximal d'enregistrement est de 70 Mb/s)

Fonction/ groupe	Élément	Caractéristique technique
Général	Boîtier	Boîtier robuste en aluminium, indice de protection IP43
	Tension d'entrée	12 ou 24V CC
	Puissance max.	84 W
	Sortie PoE	8 PoE classe 1, ou 1 PoE classe 0 + 4 PoE classe 1, ou 2 PoE classe 0
	Connecteurs	2 ports USB haute vitesse, 1 port Gbit pour les connexions externes, 8 RJ-45 10BASE-T/100BASE-TX PoE, 2 ports de sortie numérique et 8 ports d'entrée numérique. 2 connecteurs SATA
	Températures d'exploitation	-10 à 50°C (14 à 122°F)
	Poids	3,7 kg (8,14 livres)
	Homologations	Directive UE 2002/96/CE, MIL STD-810F, Méthode 516.5, Procédure I, MIL STD-810F, méthode 514.5, EN 55022, EN 55024, EN 61000-4-2, ISO 11452-2, EN 61000-4-3, ISO 11452-2, EN 61000-4-4, EN 61000-4-5, EN 61000-4-11, ISO 7637-2, EN50121-3-2, Section 15, sous-section B, classe B des règles de la FCC
	Personnalisation de projets	WLAN 802.11b/g, GSM/UMTS/HSDPA, GPS, Accelerometer

# AXIS Q8108-R Benutzerhandbuch

Dieses Benutzerhandbuch enthält Anweisungen für die Installation des AXIS Q8108-R Netzwerk-Videorecorders.

- Hardwareübersicht - Seite 32
- Geräteanschlüsse - Seite 33
- Installation der Hardware - Seite 36
- Anschließen der Kabel - Seite 37
- Montieren der Festplatte - Seite 38
- Einrichten des Computers - Seite 40
- Technische Daten - Seite 44



**Wichtig!**

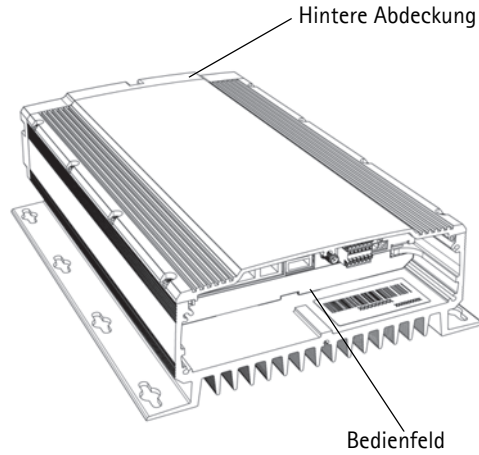
Der Netzwerk-Videorecorder sollte nur von geschultem Fachpersonal installiert werden. Beachten Sie bei der Montage die geltenden nationalen und regionalen Bestimmungen und Richtlinien.

DEUTSCH

## Inhalt des Produktpakets

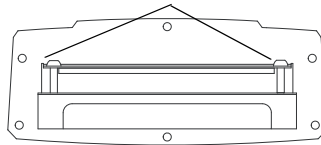
Komponente	Modelle/Varianten/Anmerkungen
Netzwerk-Videorecorder	AXIS Q8108-R
Gedruckte Dokumente	AXIS Q8108-R Benutzerhandbuch (dieses Dokument)
Im Lieferumfang enthaltenes Zubehör	Netzkabel mit Anschlussblock, Kabelblende
Nicht im Lieferumfang enthaltenes Zubehör	Netzteil, Kabelabdichtung für IP65-Schutz

## Hardwareübersicht

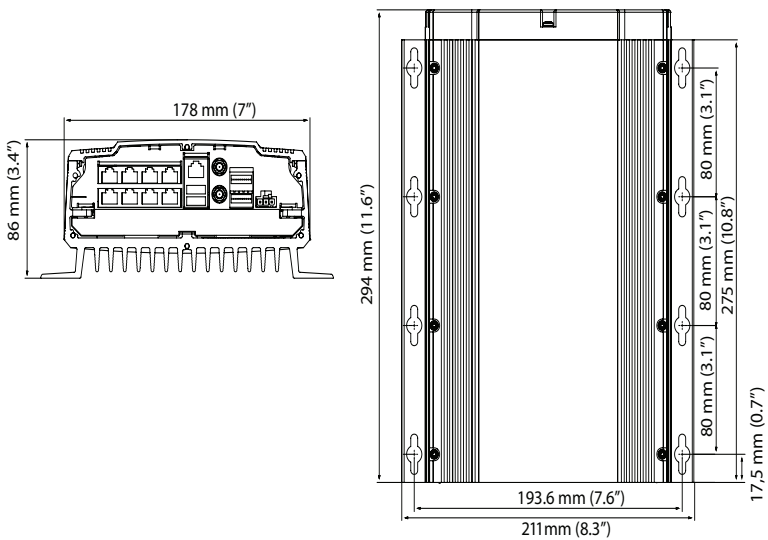


### Kabelblende

Schrauben für die Arretierung der Kabel

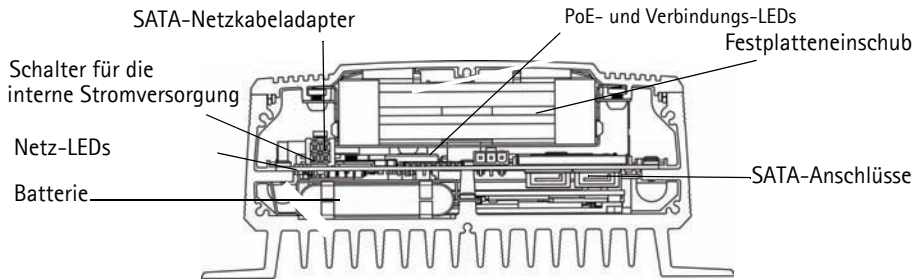


## Abmessungen

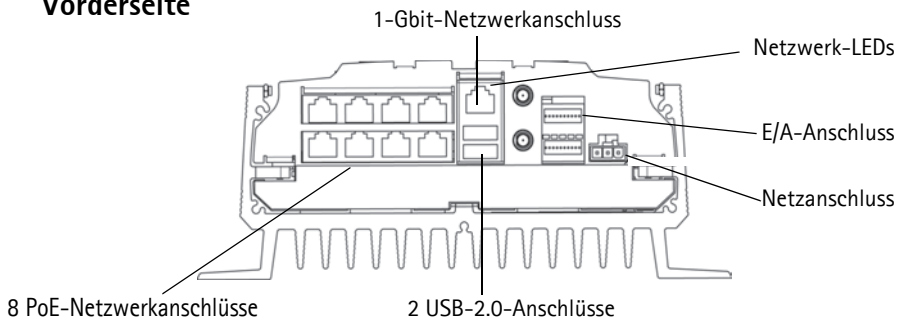




## Rückseite

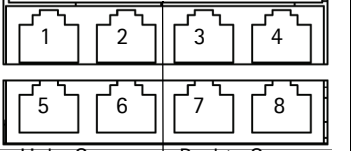


## Vorderseite



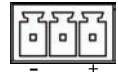
## Geräteanschlüsse

**8 PoE-Netzwerkanschlüsse** - RJ-45 Ethernet-Anschlüsse. Versorgt bis zu 8 PoE-fähige Netzwerk-Kameras der Klasse 1 mit Strom. Die PoE-Anschlüsse werden in eine rechte und eine linke Vierergruppe unterteilt. Die maximal zulässige Belastung pro Gruppe beträgt 16 W. Beispielsweise können in der linken Gruppe eine Kamera der PoE-Klasse 0 und in der rechten Gruppe bis zu 4 Kameras der PoE-Klasse 1 angeschlossen werden. Wird eine Kamera der PoE-Klasse 0 angeschlossen, dürfen die anderen Anschlüsse in der Gruppe nicht verwendet werden. Weitere Informationen hierzu finden Sie in der folgenden Abbildung und unter "Technische Daten" auf Seite 44.

Mögliche Kombinationen		Linke Gruppe	Rechte Gruppe	Gesamt
		4 PoE-Klasse 1	4 PoE-Klasse 1	8
		4 PoE-Klasse 1	1 PoE-Klasse 0	5
		1 PoE-Klasse 0	4 PoE-Klasse 1	5
		1 PoE-Klasse 0	1 PoE-Klasse 0	2
<p><u>Linke Gruppe</u> 4 PoE-Klasse 1 1 PoE-Klasse 0 Max. Belastung = 16 W</p> <p><u>Rechte Gruppe</u> 4 PoE-Klasse 1 1 PoE-Klasse 0 Max. Belastung = 16 W</p>				

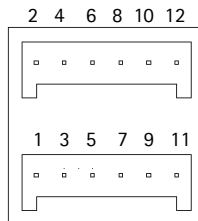
**Netzwerkanschluss** - 1-Gbit-Anschluss für externe Netzwerkverbindung.

**Netzanschluss** - 3-poliger Anschlussblock. Verwenden Sie ein gesichertes Netzteil: 12 V DC (10 A) oder 24 V DC (5 A)



**2 USB-2.0-Anschlüsse** - Für die Verwendung externer USB-Geräte. Max. Stromstärke = 500 mA

**E/A-Anschluss** - 2 digitale Ausgänge sowie 8 digitale Eingänge.



## Kontaktzuweisung – E/A-Anschluss

Kontakt nummer	Funktion	Hinweise	Spezifikationen
1	Ausgang 1	NPN-Transistor mit offenem Kollektor, wobei der Emitter bei Aktivierung mit der Masse verbunden ist. Die Ausgänge sind für Entwicklerzwecke reserviert.	Max. Stromstärke = 500 mA
2	Ausgang 2		
3	Eingang 1	Inaktiv bei einer Spannung von weniger als 1 V Aktiv bei einer Spannung von über 3 V Über den AXIS NVR-Manager kann nur ein Eingang programmiert werden. Weitere Informationen hierzu finden Sie unter <i>Einschaltkonfiguration</i> , auf Seite 41	Max. Eingang = 30 V
4	Eingang 2		
5	Eingang 3		
6	Eingang 4		
7	Eingang 5		
8	Eingang 6		
9	Eingang 7		
10	Eingang 8		
11	5 V Gleichstrom	Dieser Kontakt kann auch für die Stromversorgung von Zusatzgeräten verwendet werden. Hinweis: Dieser Kontakt kann nur für die Stromversorgung verwendet werden.	Max. Stromstärke = 250 mA
12	Schutzleiter	Masse	

DEUTSCH

## LED-Anzeigen

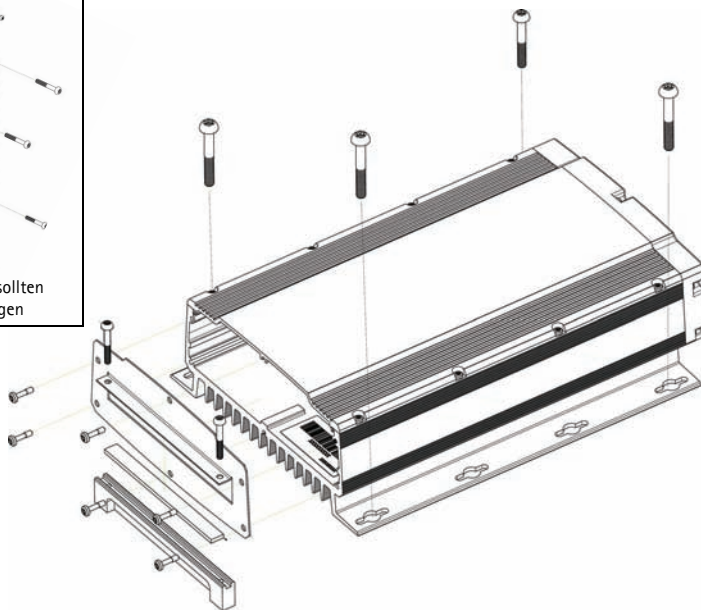
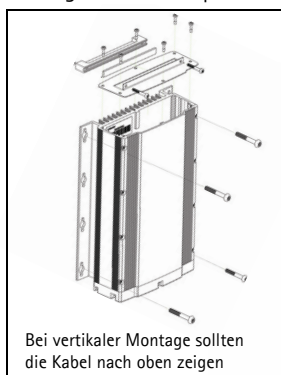
LED	Farbe	Bedeutung	
Netzwerk	Gelb	Verbindung aufgebaut	
	Grün Leuchtet nicht	Leuchtet konstant bei einer Netzwerkverbindung mit bis zu 100 Mbit/s Für Netzwerkverbindung mit bis zu 1 Gbit/s	
Betriebsan- zeige	Grün	Netzstrom - normaler Betrieb	
	Grün und Gelb	Batteriestrom	
	Leuchtet nicht	Kein Strom	
PoE/ Verbindung	Grün	Konstant	Kamera wird mit Strom versorgt
		Blinkt langsam	Kurzschluss
		2-faches Blinken	Fehler in PoE-Verbindung
		5-faches Blinken	Angeschlossene Einheiten überschreiten die Maximallast
	6-faches Blinken	Angeschlossene Einheiten der linken oder rechten Gruppe überschreiten die Maximallast	
	Gelb	Verbindung aufgebaut	

## Installieren der Hardware

### Vorbereitungen

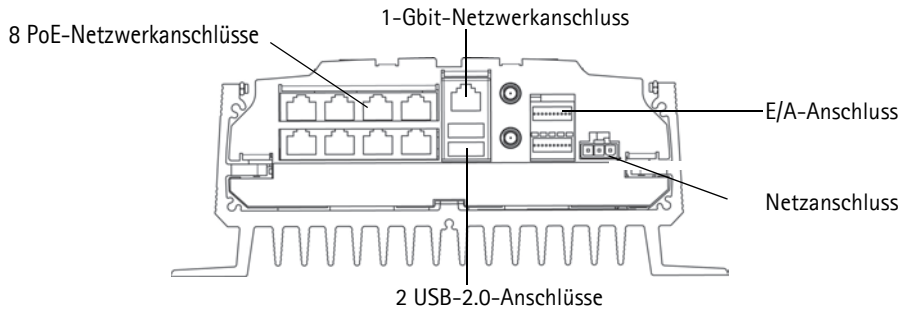
Vor der Installation des AXIS Q8108-R ist Folgendes zu beachten.

- Das Gehäuse des AXIS Q8108-R kann auf jeder Oberfläche mit 4 dafür geeigneten Schrauben montiert werden.
  - Die Betriebstemperatur hängt von der Festplatte ab.
  - Achten Sie bei der Wahl des Montageortes darauf, dass zur Kühlung und Belüftung auf allen Seiten ein Abstand von 10 mm zu benachbarten Flächen frei bleibt.
  - Sorgen Sie für eine ausreichende Absicherung: 12 V DC (10 A) oder 24 V DC (5 A)
1. Verwenden Sie mindestens 4 für die Oberfläche geeignete Schrauben. Der AXIS Q8108-R kann in jeder Position montiert werden. Bei vertikaler Montage sollte die Kabelblende nach oben zeigen, um eine optimale Wärmeabfuhr zu gewährleisten.



2. Ziehen Sie die Kabel durch die Kabelblende. Verwenden Sie ggf. eine Kabelabdichtung für den IP65-Schutz (nicht enthalten).
3. Schließen Sie alle erforderlichen Kabel an. Weitere Informationen hierzu finden Sie unter *Anschließen der Kabel*, auf Seite 37.
4. Befestigen Sie die frontseitige Kabelblende mit den 4 dafür vorgesehenen Schrauben am AXIS Q8108-R.
5. Befestigen Sie die Blende, um die Kabel zu arretieren. Damit wird eine Beschädigung der Anschlüsse während des Betriebs verhindert.

## Anschließen der Kabel

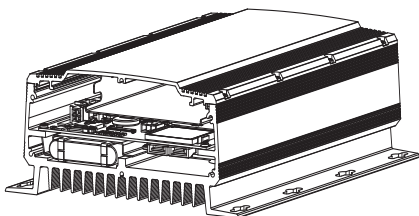


1. Installieren Sie bis zu 8 Axis Netzwerk-Kameras anhand der jeweiligen Installationsanleitungen.
2. Verwenden Sie für die Verbindung der Kameras mit dem AXIS 8108-R RJ-45 PoE-Anschlüsse, über die jede Kamera mit Strom versorgt und mit dem Netzwerk verbunden wird.
3. Schließen Sie ggf. externe Ein-/Ausgabegeräte an.
4. Schließen Sie das mitgelieferte Netzkabel an den Stromanschlussblock an.

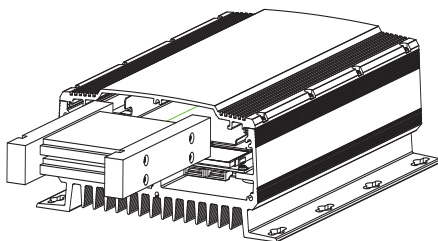
## Montieren der Festplatte

AXIS Q8108-R unterstützt die Verwendung von maximal 2 separaten Festplatten. Befolgen Sie diese Anweisungen und ziehen Sie die Herstellerempfehlungen zu Rate, wenn Sie die Festplatte montieren oder austauschen möchten.

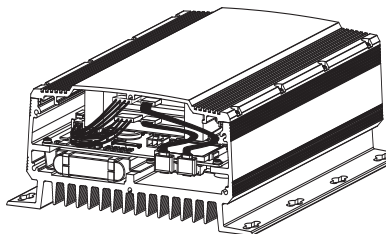
1. Entfernen Sie die Abdeckung auf der Rückseite.
2. Schalten Sie den AXIS Q8108-R aus (siehe *Starten und Herunterfahren*, auf Seite 39 und *LED-Anzeigen*, auf Seite 35).
3. Legen Sie die Festplatten in den Adapter. Sie können eine 3,5-Zoll- oder zwei 2,5-Zoll-Festplatten verwenden.
4. Schieben Sie den Adapter mit den Festplatten in die vorgesehene Halterung.
5. Schließen Sie die SATA-Anschlüsse an.
6. Schalten Sie das Gerät ein.
7. Setzen Sie die hintere Abdeckung wieder ein und ziehen Sie die Schrauben fest.



1



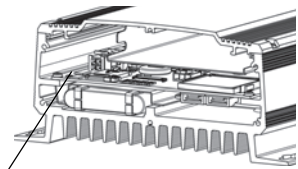
2



3

## Starten und Herunterfahren

Der AXIS Q8108-R startet automatisch, wenn die Stromversorgung eingeschaltet wird. Informationen zu weiteren Optionen finden Sie unter *AXIS NVR Manager*, auf Seite 41. Eine Minute nach dem Ausschalten der Stromversorgung führt der AXIS Q8108-R automatisch ein kontrolliertes Abschalten durch.



Schalter für die interne Stromversorgung

### Schalter für die interne Stromversorgung

Verwenden Sie diesen Schalter, um den AXIS Q8108-R manuell zu starten oder zu beenden. Wird er kurz gedrückt, schaltet sich der NVR innerhalb von 15 bis 30 Sekunden kontrolliert ab. Wird der Schalter mehr als 3 Sekunden lang gedrückt, wird der NVR abrupt ausgeschaltet. Dies ist dann sinnvoll, wenn der NVR unter bestimmten Umständen nicht mehr reagiert.

Der Schalter für die interne Stromversorgung wird auch verwendet, um die werkseitigen Standardeinstellungen des NVR wiederherzustellen (siehe *Wiederherstellen der werkseitigen Standardeinstellungen*).

### Batteriepufferung

Der AXIS Q8108-R verfügt über eine unterbrechungsfreie Stromversorgung (USV), die kurzfristigen Strommangel überbrücken kann. Für Zeiträume über einer Minute liefert die USV eine ausreichende Menge Strom für ein kontrolliertes Abschalten des AXIS Q8108-R.

Ein kontrolliertes Abschalten wird nicht durchgeführt, wenn die Batterietemperatur außerhalb des Ladebereichs (0 - 45 °C) liegt.

## Wiederherstellen der werkseitigen Standardeinstellungen

Mit dieser Option werden die Parameter einschließlich des Kennworts auf die werkseitigen Standardeinstellungen zurückgesetzt.

1. Ziehen Sie das Netzkabel und entfernen Sie die hintere Abdeckung von dem NVR.
2. Vergewissern Sie sich, dass keine LED-Anzeige mehr leuchtet (dies kann etwas dauern).
3. Halten Sie die Taste für die interne Stromversorgung gedrückt und schließen Sie den Netzstecker wieder an.
4. Lassen Sie die Taste für die interne Stromversorgung los, wenn die Netz-LED leuchtet.

Die folgenden Einstellungen werden zurückgesetzt:

- "Network Configuration" (Netzwerkkonfiguration) wird auf die werkseitigen Standardeinstellungen eingestellt: "DHCP and UPnP™ off" (DHCP und UPnP™ aus).
- Für das Administratorkennwort wird "password" eingestellt.
- "Power Configuration" (Einschaltkonfiguration) wird auf "Automatic" (Automatisch) gesetzt.

Die Wiederherstellung der werkseitigen Standardeinstellungen auf dem NVR hat keine Auswirkung auf die Einstellungen und die Aufzeichnungen von AXIS Camera Station.

## Einrichten des Computers

Die Informationen in diesem Abschnitt helfen Ihnen bei der Installation von AXIS NVR Manager und AXIS Camera Station Client sowie bei der Konfiguration Ihrer Axis NVRs und Axis Netzwerkkameras. Darüber hinaus ist in diesem Abschnitt eine kurze Einführung in die Softwarefunktionalität enthalten. Nähere Informationen finden Sie in den kontextbezogenen Hilfedateien oder im Benutzerhandbuch für AXIS Camera Station, das unter [www.axis.com](http://www.axis.com) zur Verfügung steht.

AXIS NVR Manager dient der Erkennung, der Konfiguration und der Firmware-Aktualisierung von AXIS Q8108-R. Laden Sie sich den AXIS NVR Manager von [www.axis.com](http://www.axis.com) herunter und befolgen Sie die Anweisungen des Installationsassistenten. Stellen Sie sicher, dass Sie auf dem Computer, auf dem Sie installieren, über alle Administratorrechte verfügen.

AXIS Camera Station Client enthält Überwachungs-, Aufzeichnungs-, Wiedergabe- und Ereignisverwaltungsfunktionen für Axis Netzwerk-Kameras. Starten Sie den AXIS Camera Station Client vom AXIS NVR Manager aus und befolgen Sie die Anweisungen des Installationsassistenten oder laden Sie die Software von [www.axis.com](http://www.axis.com) herunter.

Empfohlene Mindestanforderungen für AXIS NVR Manager und AXIS Camera Station Client

Mindestanforderungen an den Computer:

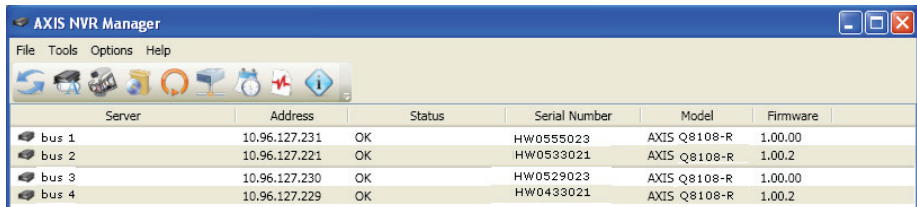
- Speicher: 1 GB RAM
- Software: Windows XP SP2, Server 2003 SP2, Vista, Windows 7 (Informationen zu anderen Betriebssystemen- unter [www.axis.com/techsup](http://www.axis.com/techsup)), Microsoft .NET 3.5 (im Installationspaket enthalten)
- Unterstützung von DirectX 9.0c

Weitere Informationen zu den einzelnen Anforderungen an den Computer für AXIS Camera Station Client finden Sie im Benutzerhandbuch von AXIS Camera Station.



## AXIS NVR Manager

1. Stellen Sie eine Verbindung zum NVR her, entweder direkt über ein Netzwerkkabel oder über das Netzwerk und stellen Sie sicher, dass die Stromversorgung eingeschaltet ist.
2. Starten Sie AXIS NVR Manager.
3. AXIS NVR Manager erkennt automatisch alle NVRs, die sich im selben Netzwerk befinden. Beachten Sie, dass der Start eines NVR über eine Minute in Anspruch nimmt und abgeschlossen sein muss, damit der NVR erkannt werden kann.



Server	Address	Status	Serial Number	Model	Firmware
bus 1	10.96.127.231	OK	HW0555023	AXIS Q8108-R	1.00.00
bus 2	10.96.127.221	OK	HW0533021	AXIS Q8108-R	1.00.2
bus 3	10.96.127.230	OK	HW0529023	AXIS Q8108-R	1.00.00
bus 4	10.96.127.229	OK	HW0433021	AXIS Q8108-R	1.00.2

## Festlegen des Kennworts

Der Standard-Benutzername ist "Administrator", das Standardkennwort ist "password". Es wird strengstens empfohlen, dass das Administratorkennwort sofort in ein sicheres Kennwort geändert wird, das Groß- und Kleinbuchstaben sowie Ziffern enthält.

1. Wählen Sie den NVR im Fenster "AXIS NVR Manager" aus.
2. Wählen Sie **Tools > User Configuration (Benutzerkonfiguration)** aus.
3. Wählen Sie **Administrator**, klicken Sie auf **Edit (Bearbeiten)** und geben Sie ein sicheres Kennwort ein.

## Netzwerkkonfiguration

Netzwerkeinstellungen können sowohl automatisch als auch manuell zugewiesen werden. Wählen Sie **Tools > Network Configuration (Netzwerkkonfiguration)** aus.

Um über einen Router auf einen NVR zuzugreifen, muss UPnP™ in AXIS NVR Manager aktiviert sein. Wählen Sie **Enable (Aktivieren) UPnP™** unterhalb von **Network Configuration (Netzwerkkonfiguration)**. Wenn Sie UPnP™ aktivieren, muss sich der NVR im selben Subnetz wie Ihr Computer befinden. Stellen Sie sicher, dass der Router UPnP™-fähig ist und dass dort UPnP™ aktiviert ist.

### Vorsicht:

Aktivieren Sie aus Sicherheitsgründen UPnP™ für den Zugriff auf den NVR über AXIS NVR Manager oder AXIS Camera Station nur dann, wenn sich der NVR hinter einem Router befindet, der auf die Durchführung von NAT-Traversal angewiesen ist.

## Einschaltkonfiguration

Um zu konfigurieren, wie der NVR startet, wählen Sie **Tools > Power Configuration (Einschaltkonfiguration)**. Der AXIS Q8108-R kann für das automatische Einschalten konfiguriert werden, wenn externer Strom zur Verfügung steht, oder für das manuelle Einschalten über den Schalter für die interne Stromversorgung bzw. über einen externen Schalter, der an einen Eingangsanschluss angeschlossen ist.

**Hinweis:**

Wenn die Einschaltkonfiguration nicht ordnungsgemäß durchgeführt wird, können Sie den NVR möglicherweise nicht starten. Um in einer solchen Situation Abhilfe zu schaffen, lesen Sie *Wiederherstellen der werkseitigen Standardeinstellungen*, auf Seite 39 und befolgen Sie die Anweisungen.

## AXIS Camera Station

AXIS Camera Station Client enthält Überwachungs-, Aufzeichnungs-, Wiedergabe- und Ereignisverwaltungsfunktionen.

### Verbindung zu AXIS Camera Station-Client herstellen

Wählen Sie im AXIS NVR Manager ein NVR-Gerät und klicken Sie auf das Symbol **Launch AXIS Camera Station Client** (AXIS Camera Station Client starten) oder starten Sie den AXIS Camera Station Client von Ihrem Computer aus und verwenden Sie im Anmeldedialogfeld die Netzwerkadresse des NVR.

#### Hinweise:

- Falls auf dem Computer, auf dem AXIS NVR Manager läuft, nicht zuvor die korrekte Version von AXIS Camera Station Client installiert wurde, werden Sie aufgefordert, eine Installation durchzuführen.
- Ältere Versionen von AXIS Camera Station Client und AXIS Camera Station Server müssen von dem Computer entfernt werden, bevor diese Version installiert wird. Setzen Sie die Installation nicht fort, wenn Sie ältere Versionen beibehalten möchten.

Um sich beim NVR anzumelden, geben Sie den Benutzernamen des Administrators und das Kennwort an, die Sie im NVR Manager eingestellt haben (siehe *Festlegen des Kennworts*, auf Seite 41).

### AXIS Camera Station konfigurieren

Um eine einfache Navigation zu gewährleisten, ist AXIS Camera Station in diese Arbeitsbereiche unterteilt: **Direktübertragung, Aufzeichnungen, Protokolle und Konfiguration**.

- **Direktübertragung** – Eine einzige Benutzeroberfläche zum Organisieren und Überwachen von AXIS Netzwerk-Kameras und Video-Encodern in Ihrem Netzwerk.
- **Aufzeichnungen:** Suche, Wiedergabe und Export der Aufzeichnungen von einer oder mehreren Kameras in einem gewünschten Zeitabschnitt mit Anzeige einer Zeitachse.
- **Protokolle:** Alarm-, Ereignis- und Auditprotokolle für eine Systemübersicht auf einen Blick
- **Konfiguration:** Alle wichtigen Links zum Hinzufügen von Kameras, zum Festlegen von Aufzeichnungseinstellungen, zu Benutzerberechtigungen, zu Ereigniskonfigurationen und vieles mehr.

Beim ersten Start von AXIS Camera Station werden die in Ihrem Netzwerk gefundenen Axis-Kameras und Video-Encoder automatisch hinzugefügt. Falls sich in Ihrem Netzwerk mehr Kameras befinden als Ihre Lizenz lässt, wählen Sie **Konfiguration > Kameras hinzufügen/bearbeiten**.

#### Hinweis:

Wenn der NVR als NTP-Server für die hinzugefügten Kameras fungieren soll, verwenden Sie dessen IP-Adresse.

Weitere Informationen hierzu finden Sie in der kontextbezogenen Hilfe in AXIS Camera Station und im Benutzerhandbuch.

## Technische Daten

Funktion/ Gruppe	Komponente	Spezifikation
	Modell	AXIS Q8108-R
System	Prozessor	1,1 GHz-CPU der Intel Atom Z5-Serie
	RAM	1GB SODIMM DDR2
	Systemplatte	4-GB-CompactFlash-Laufwerk mit PATA
	Betriebssystem	Windows Embedded Standard 2009
	Batteriepufferung	Kontrolliertes Abschalten 1 Minute nach Stromunterbrechung
Netzwerk	Sicherheit	Kennwortschutz, Protokoll der Benutzerzugriffe
	NTP	NTP-Server enthalten
Software	Videoverwaltungssoftware	AXIS Camera Station, Lizenz für 8 Kanäle enthalten. Weitere Informationen hierzu finden Sie unter " <a href="http://www.axis.com/products/cam_station_software">www.axis.com/products/cam_station_software</a> ".
	API	Offene API für Softwareintegration
	Videokomprimierung	H.264 (MPEG-4 Part 10/AVC), MPEG-4 Part 2, Motion JPEG
	Audiokomprimierung	AAC, G.711, G.726
	Auflösungen	Unterstützt Auflösungen von angeschlossenen Axis Videoprodukten
	Aufzeichnungsbildrate	Unterstützt Bildraten der angeschlossenen Axis-Videoprodukte (maximale Bildrate der Gesamtaufzeichnung 70 Mb/s)
Allgemein	Gehäuse	Robustes, IP43-konformes Aluminiumgehäuse
	Eingangsspannung	12 oder 24 V DC
	Max. Leistung	84 W
	PoE-Ausgang	8 PoE Klasse 1 oder 1 PoE Klasse 0 + 4 PoE Klasse 1 oder 2 PoE Klasse 0
	Anschlüsse	2 High-Speed-USB-Anschlüsse, 1 Gbit-Anschluss für externe Verbindung, 8 RJ-45 10BASE-T/100BASE-TX PoE, 2 digitale Ausgänge und 8 digitale Eingänge, 2 SATA-Anschlüsse
	Betriebstemperaturen	-10 bis 50 °C
	Gewicht	3,7 kg

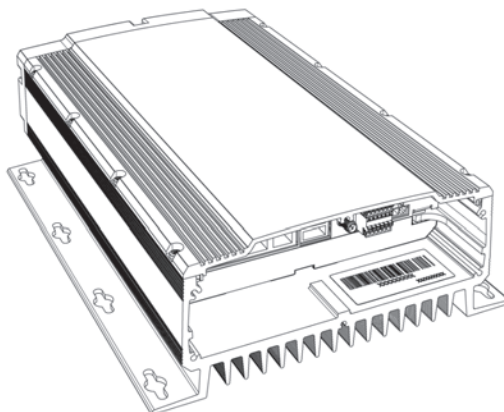
Funktion/ Gruppe	Komponente	Spezifikation
	<b>Zulassungen</b>	EU-Richtlinie 2002/96/EC, MIL STD-810F Method 516.5 Procedure I, MIL STD-810F method 514.5, EN 55022, EN 55024, EN 61000-4-2, ISO 11452-2, EN 61000-4-3, ISO 11452-2, EN 61000-4-4, EN 61000-4-5, EN 61000-4-11, ISO 7637-2, EN50121-3-2, FCC Teil 15 Abschnitt B Klasse B
	<b>Projektanpassung</b>	WLAN 802.11b/g, GSM/UMTS/HSDPA, GPS, Beschleunigungsmesser



# AXIS Q8108-R Guida per l'utente

Questa guida per l'utente fornisce le istruzioni per l'installazione del Registratore video di rete AXIS Q8108-R.

- Panoramica dell'hardware - pagina 48
- Connettori dell'unità - pagina 49
- Installazione dell'hardware - pagina 52
- Collegamento dei cavi - pagina 53
- Montaggio del disco rigido - pagina 54
- Configurazione del computer - pagina 56
- Specifiche tecniche - pagina 59



**Importante!**

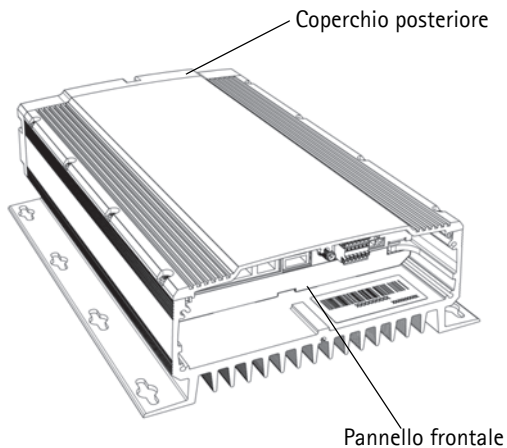
Il videoregistratore di rete deve essere installato da un professionista preparato. Per l'installazione, rispettare i regolamenti nazionali e locali in vigore.

ITALIANO

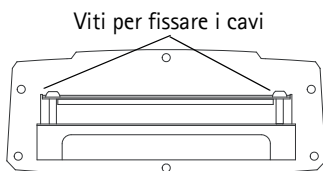
## Contenuto della confezione

Elemento	Modelli/varianti/note
Registratore video di rete	AXIS Q8108-R
Materiali stampati	AXIS Q8108-R Guida per l'utente (questo documento)
Accessori inclusi	Cavo di alimentazione con morsetti, Supporto cavi
Accessorio non incluso	Alimentatore, Tenuta cavi per classe IP65

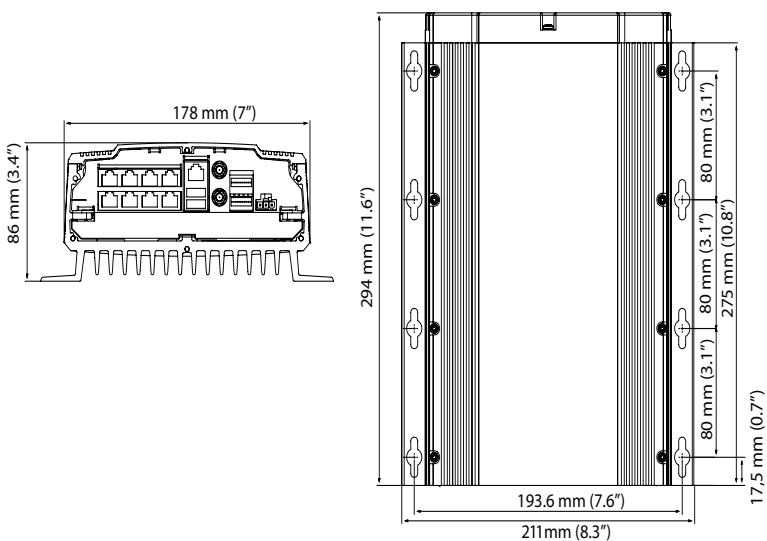
## Panoramica dell'hardware



### Supporto cavi

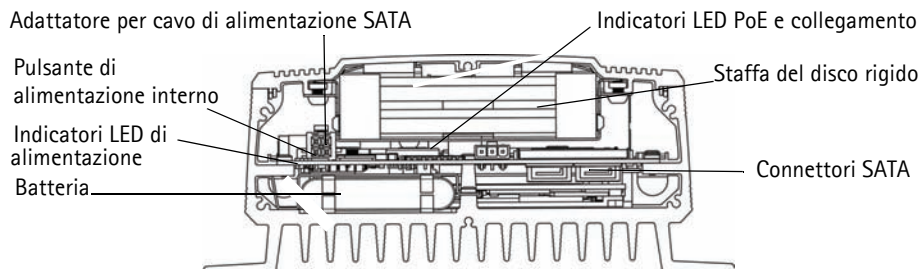


### Dimensioni

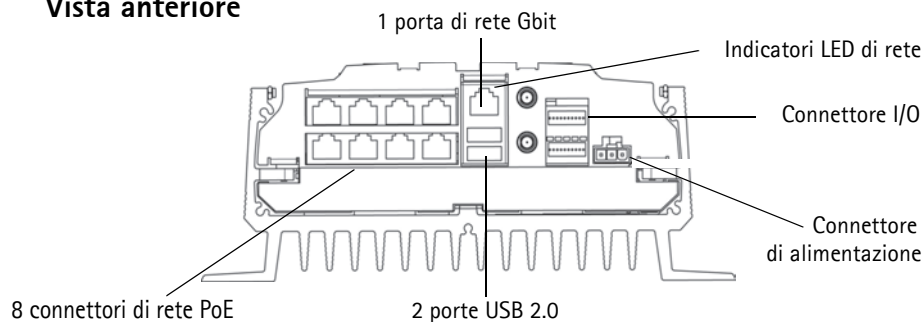




## Vista posteriore



## Vista anteriore



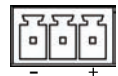
### Connettori dell'unità

8 connettori di rete PoE - Connettori Ethernet RJ-45. Fornisce l'alimentazione per un massimo di 8 telecamere di rete abilitate PoE Classe 1. LE porte PoE sono divisi in due gruppi di quattro (destra e sinistro). È consentito un carico massimo di 16W per gruppo. Ad esempio, un dispositivo PoE classe 0 può essere connesso al gruppo di sinistra, mentre al gruppo di destra possono essere connessi fino a 4 dispositivi PoE classe 1. Se si connette un dispositivo PoE classe 0, le altre porte del gruppo non devono essere usate. Vedere l'illustrazione che segue e le specifiche tecniche a pagina 59.

Combinazioni possibili				
		Gruppo di sinistra	Gruppo di destra	Totale
		4 PoE classe 1	4 PoE classe 1	8
4 PoE classe 1	1 PoE classe 0	5		
1 PoE classe 0	4 PoE classe 1	5		
1 PoE classe 0	1 PoE classe 0	2		
<p><b>Gruppo di sinistra</b> 4 PoE classe 1 1 PoE classe 0 Carico massimo = 16W</p> <p><b>Gruppo di destra</b> 4 PoE classe 1 1 PoE classe 0 Carico massimo = 16W</p>				

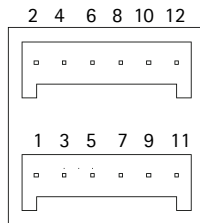
**Connettore di rete** - 1 porta Gbit per connessione esterna alla rete.

**Connettore di alimentazione**- Morsetteria a 3 pin. Usare una sorgente di alimentazione dotata di fusibile: 12V CC (10A) o 24V CC (5 A)



**2 porte USB 2.0** - Da usare con qualsiasi dispositivo periferico USB. Carico massimo = 500mA

**Connettore I/O** - 2 porte digitali di uscita e 8 porte digitali di ingresso.



## Assegnazione dei pin – Connettore di I/O

Numero pin	Funzione	Note	Specifiche
1	Uscita 1	Transistor NPN a collettore aperto con emettitore collegato a terra quando è attivato. Le uscite sono riservate agli sviluppatori.	Carico massimo = 500mA
2	Uscita 2		
3	Ingresso 1	Inattivo per tensioni minori di 1V Attivo per tensioni superiori a 3V Un solo ingresso è programmabile con AXIS NVR manager, vedere <i>Configurazione dell'alimentazione</i> , a pagina 57	Ingresso max = +30V
4	Ingresso 2		
5	Ingresso 3		
6	Ingresso 4		
7	Ingresso 5		
8	Ingresso 6		
9	Ingresso 7		
10	Ingresso 8		
11	Alimentazione e a 5V CC	Il pin può essere utilizzato per alimentare una periferica ausiliaria. Nota: Questo pin può essere usato solo come uscita alimentazione.	Carico massimo = 250 mA
12	GND	Terra	

## Indicatori LED

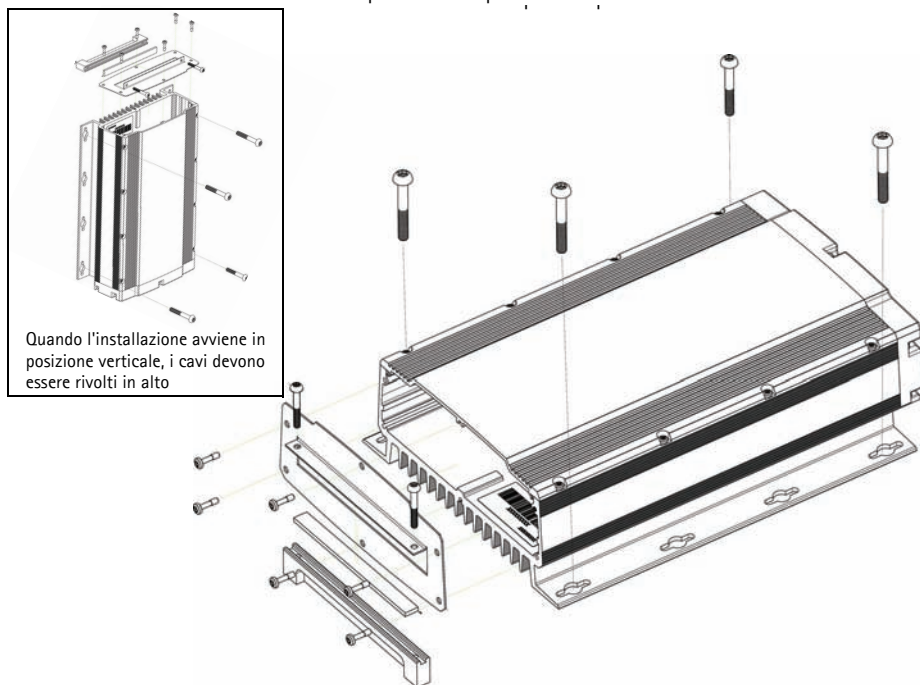
LED	Colore	Indicazione	
Rete	Giallo	Collegamento stabilito.	
	Verde Spento	Luce fissa	per connessione di rete a 100 Mbit/s
			Per connessione alla rete a 1Gbit/s
Alimentazione	Verde	Alimentazione attiva - utilizzo normale.	
	Verde e giallo	Alimentazione a batteria	
	Spento	Alimentazione spenta	
PoE/ Collegamento	Verde	Fisso	La telecamera viene alimentata
		Lampeggio lento	Corto circuito
		Sequenza di 2 lampi	Errore nella connessione PoE.
		Sequenza di 5 lampi	Le unità connesse superano il carico massimo.
		Sequenza di 6 lampi	Le unità connesse al gruppo sinistro o destro superano il carico massimo.
	Giallo	Collegamento stabilito	

## Installazione dell'hardware

### Operazioni preliminari

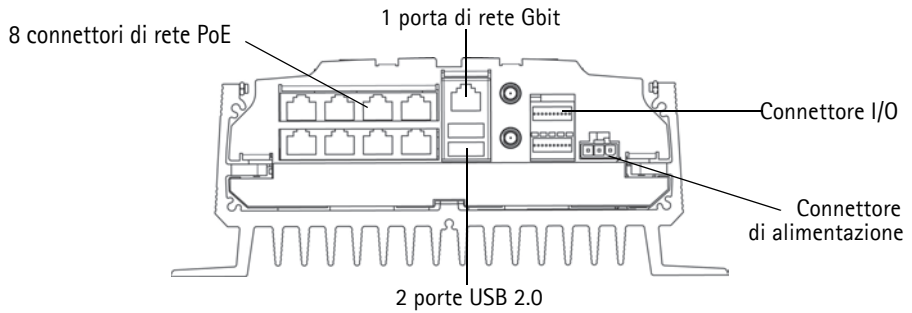
Esistono numerose considerazioni da fare prima di installare l'unità AXIS Q8108-R.

- Il telaio dell'unità AXIS Q8108-R è stato progettato per essere montato direttamente su qualsiasi superficie utilizzando almeno 4 viti adatte al tipo di superficie
  - L'intervallo delle temperature di funzionamento dipende dal disco rigido
  - Installare in un'area all'aperto lasciando 10mm di spazio su tutti i lati per il raffreddamento e la ventilazione
  - Assicursi che l'unità sia protetta da un fusibile: 12V CC (10A) o 24V CC (5 A)
1. Usare almeno 4 viti adatte al tipo di superficie. L'unità AXIS Q8108-R è stata progettata per essere installata in qualsiasi posizione, ma se viene installata in posizione verticale, il supporto dei cavi deve essere rivolto in alto per una dissipazione ottimale del calore.



2. Far scorrere i cavi attraverso il loro supporto. Per la classe IP65 utilizzare la tenuta per cavi (non inclusa).
3. Collegare tutti i cavi necessari. Vedere *Collegamento dei cavi*, a pagina 53.
4. Collegare il supporto cavi frontale all'unità AXIS Q8108-R con le quattro viti fornite.
5. Fissare il supporto per i cavi. Questo evita che il connettore si danneggi durante il funzionamento.

## Collegamento dei cavi

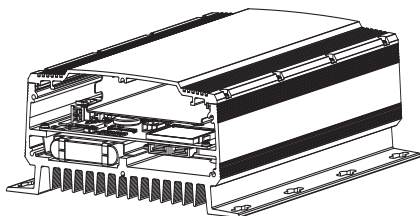


1. Installare fino a 8 telecamere di rete Axis seguendo le relative guide all'installazione.
2. Collegare le telecamere all'unità AXIS 8108-R per mezzo dei connettori PoE RJ-45, che forniscono l'alimentazione e la connessione di rete a tutte le telecamere.
3. Collegare facoltativamente gli altri dispositivi esterni di input/output.
4. Collegare il cavo di alimentazione fornito alla morsettiera di alimentazione.

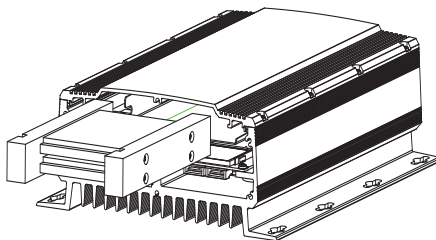
## Montaggio del disco rigido

L'unità AXIS Q8108-R supporta l'utilizzo di 2 dischi rigidi separati. Seguire queste istruzioni e le raccomandazioni del produttore per montare o sostituire il disco rigido.

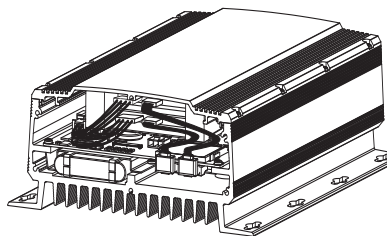
1. Rimuovere la copertura posteriore.
2. Spegner l'unità AXIS Q8108-R, vedere *Avviare e spegnere*, a pagina 55 e *Indicatori LED*, a pagina 51.
3. Inserire i dischi rigidi nel kit adattatore. È possibile usare un disco rigido da 3.5" o fino a due da 2.5".
4. Inserire il kit adattatore con i dischi rigidi nella staffa del coperchio.
5. Collegare i connettori SATA.
6. Alimentare il dispositivo.
7. Rimontare il coperchio posteriore e serrare le viti



1



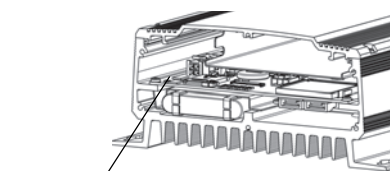
2



3

## Avviare e spegnere

L'unità AXIS Q8108-R si avvia automaticamente quando viene alimentata. Per ulteriori opzioni, vedere *AXIS NVR Manager*, a pagina 57. L'unità AXIS Q8108-R esegue automaticamente uno spegnimento controllato un minuto dopo l'interruzione dell'alimentazione.



Pulsante di alimentazione interno

### Pulsante di alimentazione interno

Usare questo pulsante per avviare o spegnere manualmente l'unità AXIS Q8108-R. Quando viene premuto brevemente il videoregistratore di rete si spegne in modo controllato, impiegando da 15 a 30 secondi. Se il pulsante viene tenuto premuto per più di 3 secondi il videoregistratore di rete si spegne immediatamente. Questo è utile se il dispositivo smette di rispondere per qualche motivo.

Il pulsante di alimentazione interno viene utilizzato anche per reimpostare il videoregistratore di rete alle impostazioni predefinite in fabbrica, vedere **Ripristino delle impostazioni predefinite**.

### Funzione di backup della batteria

L'unità AXIS Q8108-R è dotata di un gruppo di continuità (UPS) progettato per brevi interruzioni dell'alimentazione. Per periodi più lunghi di 1 minuto, l'UPS fornisce all'unità AXIS Q8108-R la potenza sufficiente per uno spegnimento controllato.

Se la temperatura della batteria è al di fuori dell'intervallo di carica, 0 - 45 °C, è possibile che lo spegnimento controllato non si verifichi.

## Ripristino delle impostazioni predefinite

Questa procedura ripristina le impostazioni predefinite di fabbrica per tutti i parametri, incluso l'indirizzo IP.

1. Scollegare l'alimentazione dal videoregistratore di rete e rimuovere il coperchio posteriore.
2. Assicurarsi che tutti gli indicatori LED siano spenti (potrebbe richiedere alcuni istanti).
3. Tenere premuto il pulsante di alimentazione interno e ricollegare l'alimentazione.
4. Quando il LED di alimentazione è acceso, rilasciare il pulsante di alimentazione.

Verranno reimpostate queste impostazioni:

- La configurazione di rete viene impostata secondo l'impostazione di fabbrica (DHCP e UPnP™ spenti)
- La password dell'amministratore è impostata a "password"
- La configurazione dell'alimentazione è impostata su "Automatica"

La reimpostazione del videoregistratore di rete ai valori predefiniti di fabbrica non influisce sulle impostazioni di Camera Station o sulle registrazioni.

## Configurazione del computer

Questa sezione aiuta a installare e configurare AXIS NVR Manager e il client AXIS Camera Station per il videoregistratore di rete Axis e le telecamere di rete Axis. Qui viene fornita una breve introduzione alle funzionalità del software. Per ulteriori informazioni, vedere i file della guida in linea oppure, per AXIS Camera Station, leggere il manuale per l'utente disponibile all'indirizzo [www.axis.com](http://www.axis.com).

AXIS NVR Manager serve a scoprire, configurare ed aggiornare il firmware dell'unità AXIS Q8108-R. Andare all'indirizzo [www.axis.com](http://www.axis.com) per scaricare AXIS NVR Manager e seguire le istruzioni dell'installazione guidata. Assicurarsi di disporre di tutti i privilegi di amministratore sul computer che ospiterà l'installazione.

Il client AXIS Camera Station permette di monitorare, registrare, riprodurre e gestire eventi sulle telecamere di rete Axis. Avviare il client AXIS Camera Station da AXIS NVR Manager e seguire le istruzioni dell'installazione guidata o scaricarlo da [www.axis.com](http://www.axis.com).

Requisiti minimi consigliati per AXIS NVR Manager e il client AXIS Camera Station

Requisiti minimi del PC

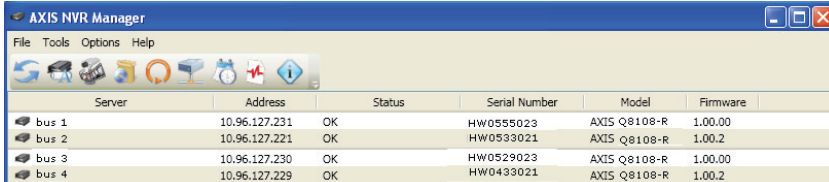
- Memoria: 1 GB di RAM
- Software: Windows XP SP2, Server 2003 SP2, Vista, Windows 7 (per altri sistemi operativi, vedere [www.axis.com/techsup](http://www.axis.com/techsup)), Microsoft .NET 3.5 (incluso nel pacchetto di installazione)
- Supporto di DirectX 9.0c

Per i requisiti dei singoli PC relativi al client AXIS Camera Station, consultare la Guida per l'utente di AXIS Camera Station.



## AXIS NVR Manager

1. Connettersi al videoregistratore direttamente per mezzo di un cavo di rete o attraverso la rete e assicurarsi che sia alimentato.
2. Avviare AXIS NVR Manager.
3. AXIS NVR Manager rileva automaticamente tutti i videoregistratori di rete connessi alla stessa rete. Si osservi che l'avvio del videoregistratore di rete impiega un altro minuto e deve essere completato prima che la rilevazione sia possibile.



Server	Address	Status	Serial Number	Model	Firmware
bus 1	10.96.127.231	OK	HW0555023	AXIS Q8108-R	1.00.00
bus 2	10.96.127.221	OK	HW0533021	AXIS Q8108-R	1.00.2
bus 3	10.96.127.230	OK	HW0529023	AXIS Q8108-R	1.00.00
bus 4	10.96.127.229	OK	HW0433021	AXIS Q8108-R	1.00.2

## Impostazione della password

Il nome utente predefinito è "Administrator" e la password è "password". Si consiglia vivamente di cambiare immediatamente la password dell'amministratore impostando una password complessa contenente lettere maiuscole, minuscole e numeri.

1. Selezionare il videoregistratore di rete nella finestra di AXIS NVR Manager.
2. Andare a **Strumenti > Configurazione utente**.
3. Scegliere **Amministratore**, fare clic su **Modifica** e immettere una password complessa.

## Configurazione di rete

Le impostazioni della rete possono essere assegnate automaticamente o manualmente. Andare a **Strumenti > Configurazione di rete**

Per accedere al videoregistratore di rete situato dietro a un router, è necessario abilitare UPnP™ in AXIS NVR Manager. Spuntare **Abilita UPnP™** sotto **Configurazione di rete**. Quando si abilita UPnP™, il videoregistratore di rete deve trovarsi nella stessa subnet del proprio computer. Assicurarsi che il router supporti UPnP™ e che UPnP™ sia abilitato.

### Attenzione:

Per ragioni di sicurezza, abilitare UPnP™ per accedere al videoregistratore di rete tramite AXIS NVR Manager o AXIS Camera Station solo quando il NVR è situato dietro a un router che richiede l'attraversamento NAT.

## Configurazione dell'alimentazione

Per configurare la modalità di alimentazione del videoregistratore di rete, andare a **Strumenti > Configurazione alimentazione**. L'unità AXIS Q8108-R può essere configurata in modo da accendersi automaticamente quando è disponibile l'alimentazione esterna, manualmente con il pulsante di alimentazione interno, oppure quando viene cablato un pulsante esterno a una porta di ingresso.

### Nota:

Se la configurazione di alimentazione non viene eseguita correttamente, potrebbe essere impossibile avviare il videoregistratore. Per risolvere questa situazione andare a *Ripristino delle impostazioni predefinite*, a pagina 55 e seguire le istruzioni.

## AXIS Camera Station

Il client AXIS Camera Station permette monitoraggio, la registrazione, la riproduzione e la gestione degli eventi.

### Connessione del client AXIS Camera Station

Da AXIS NVR Manager scegliere un videoregistratore di rete e fare clic sull'icona **Avvia il client AXIS Camera Station** o avviare il client AXIS Camera Station dal proprio computer e usare l'indirizzo di rete del videoregistratore nella finestra di accesso.

#### Note:

- Se sul computer non è stata precedentemente installata la versione corretta del client AXIS Camera Station che esegue AXIS NVR Manager, apparirà un messaggio per eseguire l'installazione.
- Prima di installare questa versione, è necessario rimuovere dal computer le versioni precedenti del client AXIS Camera Station e del server AXIS Camera Station. Non proseguire l'installazione se non si intende eseguire la rimozione delle versioni precedenti.

Per accedere al videoregistratore di rete, immettere il nome utente e la password dell'amministratore impostati in NVR Manager, vedere *Impostazione della password*, a pagina 57.

### Configurazione di AXIS Camera Station

Per facilitare l'esplorazione, il sistema AXIS Camera Station è suddiviso in quattro aree di lavoro: **Live view** (Immagine dal vivo), **Recordings** (Registrazioni), **Logs** (Registri) e **Configuration** (Configurazione).

- **Live view** (Immagine dal vivo): fornisce una singola interfaccia per organizzare e monitorare le videocamere e i codificatori video AXIS sulla rete.
- **Registrazioni** - Ricerca, riproduzione ed esportazione delle registrazioni di una o più telecamere comprese entro un intervallo specifico, nonché di visualizzare anche la data e l'ora.
- **Registri** - Registri di allarmi, eventi e controlli per una panoramica immediata del sistema
- **Configurazione** - Contiene una raccolta di tutti i collegamenti importanti per aggiungere telecamere, configurare le impostazioni di registrazione, le autorizzazioni degli utenti, la configurazione degli eventi e altro ancora

Quando AXIS Camera Station viene avviato per la prima volta, aggiunge automaticamente le telecamere e i codificatori video Axis che trova sulla rete. Se il numero di telecamere presenti nella rete è superiore al numero di licenze disponibili, accedere al menu **Configurazione > Aggiungi/Modifica telecamere**.

#### Nota:

Per impiegare il videoregistratore di rete come server NTP per le telecamere aggiunte, usare l'indirizzo IP del videoregistratore.

Per ulteriori informazioni, vedere la Guida in linea sensibile al contesto in AXIS Camera Station oppure il manuale per l'utente.

## Specifiche tecniche

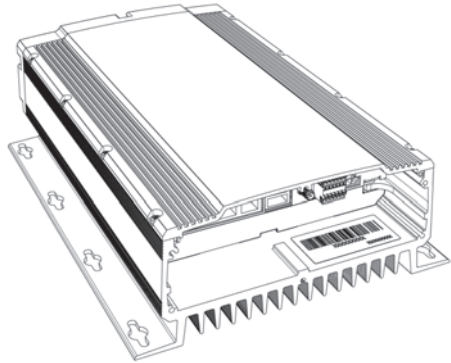
Funzione/ gruppo	Elemento	Specifica
	Modello	AXIS Q8108-R
Sistema	Processore	CPU serie Intel Atom Z5, 1.1GHz
	RAM	1GB SODIMM DDR2
	Disco di sistema	Unità Compact Flash PATA da 4GB
	Sistema operativo	Windows Embedded Standard 2009
	Batteria tampone	Spegnimento controllato 1 minuto dopo l'interruzione dell'alimentazione
Rete	Protezione	Protezione mediante password, registrazione dell'accesso utente
	NTP	Server NTP incluso
Software	Software per la gestione di video	AXIS Camera Station, licenza per 8 canali inclusa. Per ulteriori informazioni, vedere <a href="http://www.axis.com/products/cam_station_software">www.axis.com/products/cam_station_software</a>
	Interfaccia di programmazione applicazioni	API aperta per integrazione software
	Compressione video	H.264 (MPEG-4 Part 10/AVC), Motion JPEG, MPEG-4 Part 2
	Compressione audio	AAC,G.711, G.726
	Risoluzioni	Supporta tutte le risoluzioni dei prodotti video Axis connessi
	Velocità di registrazione in fotogrammi	Supporta le velocità di trasmissione dei prodotti video Axis connessi (velocità di registrazione globale massima 70 Mb/s)
Caratteristiche generali	Involucro	Alloggiamento resistente in alluminio, di classe IP66
	Tensione in ingresso	12 o 24V CC
	Potenza massima	84 W
	Uscita PoE	8 PoE classe 1 o 1 PoE classe 0 + 4 PoE classe 1 o 2 PoE classe 0
	Connettori	2 porte USB ad alta velocità, 1 porta Gbit per collegamento esterno, 8 PoE RJ-45 10BASE-T/100BASE-TX, 2 porte digitali di uscita e 8 porte digitali di ingresso, 2 connettori SATA
	Temperature di funzionamento	Da -10 a 50 °C
	Pesi	3,7 kg (8,14 lb)

Funzione/ gruppo	Elemento	Specifica
	<b>Approvazioni</b>	Direttiva UE 2002/96/CE, MIL STD-810F Metodo 516.5 Procedura I, MIL STD-810F metodo 514.5, EN 55022, EN 55024, EN 61000-4-2, ISO 11452-2, EN 61000-4-3, ISO 11452-2, EN 61000-4-4, EN 61000-4-5, EN 61000-4-11, ISO 7637-2, EN50121-3-2, FCC part 15 subpart B class B
	<b>Personalizzazione progetto</b>	WLAN 802.11b/g, GSM/UMTS/HSDPA, GPS, Accelerometro

# Manual del usuario de AXIS Q8108-R

Este manual de usuario incluye las instrucciones necesarias para instalar la Grabadora de vídeo en red AXIS Q8108-R.

- Presentación del hardware - página 62
- Conectores de la unidad - página 63
- Instalación del hardware - página 66
- Conexión de los cables- página 67
- Montaje de disco duro- página 68
- Configuración de su ordenador - página 70
- Especificaciones técnicas - página 73



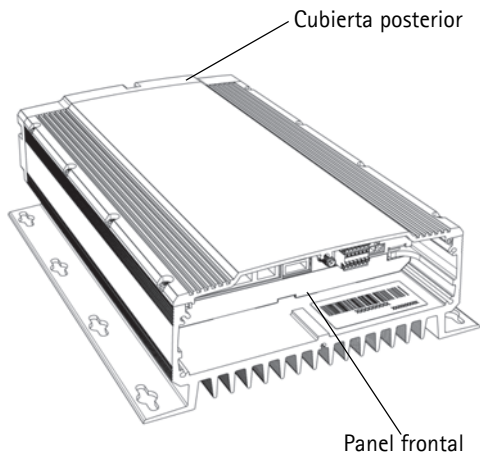
## ¡Importante!

La instalación de la grabadora de vídeo en red debe realizarla un profesional cualificado. Siga las normativas nacionales y locales aplicables para la instalación

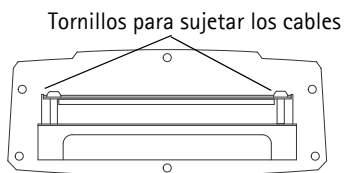
## Contenido del paquete

Artículo	Modelos/variantes/notas
Grabadora de vídeo en red	AXIS Q8108-R
Material impreso	Manual del usuario de AXIS Q8108-R (este documento)
Accesorios incluidos	Cable de alimentación con bloque de terminales, estante para el cable
Accesorio no incluido	Fuente de alimentación, sellado del cable para cumplir con el grado de protección IP65

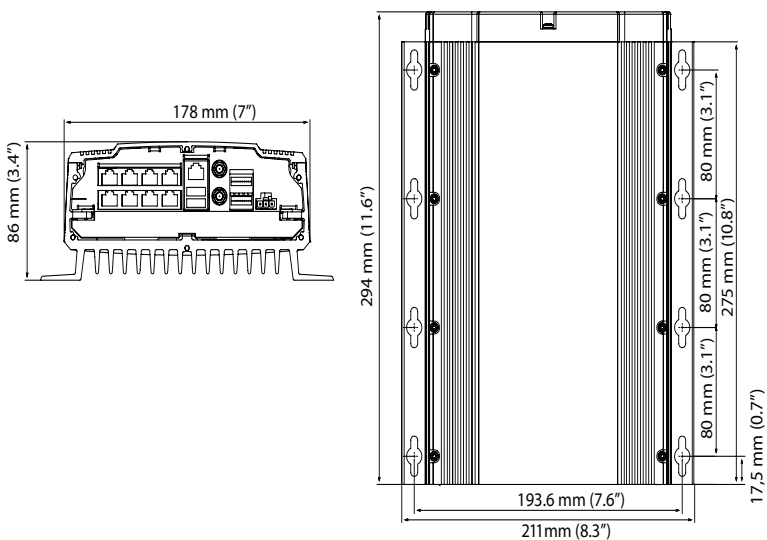
## Presentación del hardware



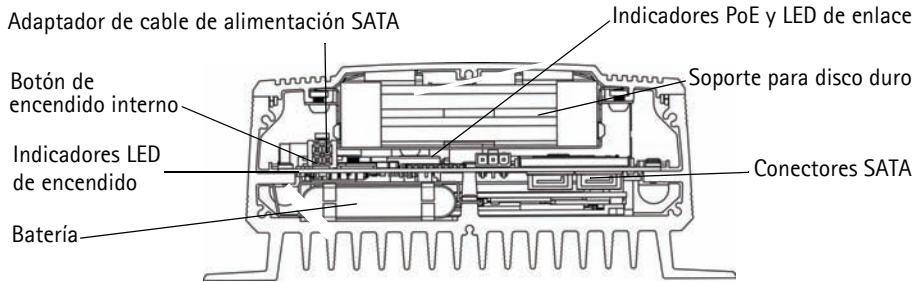
### Estante para el cable



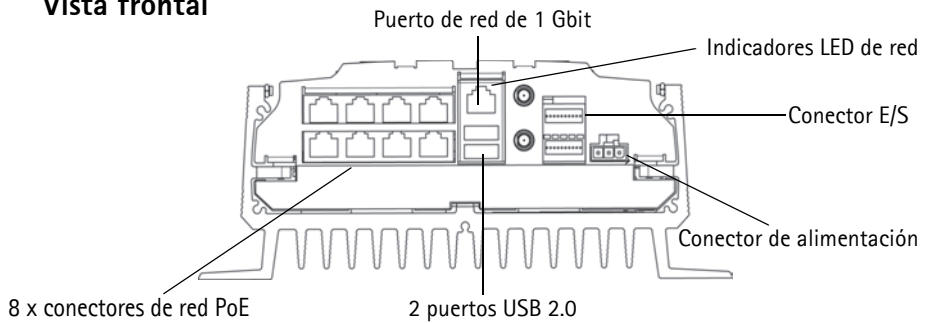
## Dimensiones



## Parte posterior

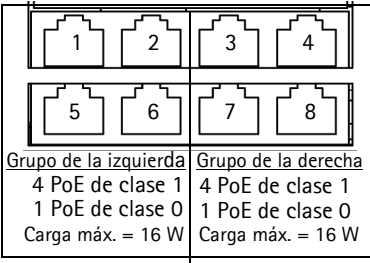


## Vista frontal



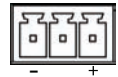
### Conectores de la unidad

**8 conectores de red PoE** - Conectores Ethernet RJ-45. Proporciona alimentación hasta un máximo de 8 cámaras de red habilitadas para alimentación a través de Ethernet (PoE) de clase 1. Los puertos PoE se dividen en dos grupo de cuatro, uno a la izquierda y otro a la derecha. Se admite una carga máxima de 16 W por grupo. Por ejemplo, se puede conectar un PoE de clase 0 en el grupo de izquierda y hasta 4 PoE de clase 1 en el grupo de la derecha. Si se conecta un PoE de clase 0, no deben utilizarse los demás puertos del grupo. Consulte la siguiente ilustración y las especificaciones técnicas en página 73.

Combinaciones posibles		Grupo de la izquierda	Grupo de la derecha	Total
				
		4 PoE de clase 1	4 PoE de clase 1	8
		4 PoE de clase 1	1 PoE de clase 0	5
		1 PoE de clase 0	4 PoE de clase 1	5
	1 PoE de clase 0	1 PoE de clase 0	2	
	<b>Grupo de la izquierda</b> 4 PoE de clase 1 1 PoE de clase 0 Carga máx. = 16 W	<b>Grupo de la derecha</b> 4 PoE de clase 1 1 PoE de clase 0 Carga máx. = 16 W		

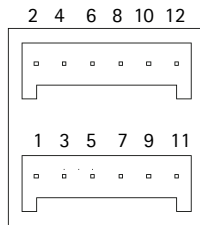
**Conector de red:** puerto de 1 Gbit para conexión a la red externa.

**Conector de alimentación:** bloque de terminales de 3 pines. Utilice una fuente de alimentación con fusible: 12 V CC (10 A) o 24 V CC (5 A)



**2 puertos USB 2.0:** para su utilización con cualquier periférico USB.  
Carga máx. = 500 mA

**Conector E/S:** 2 puertos de salida digital y 8 puertos de entrada digital.





## Asignación de pines: conector E/S

Número de pin	Función	Notas	Especificaciones
1	Salida 1	Transistor NPN de colector abierto con el emisor conectado a toma de tierra cuando está activado. Las salidas están reservadas para su uso por los desarrolladores.	Carga máx. = 500 mA
2	Salida 2		
3	Entrada 1	Inactiva para tensiones inferiores a 1 V Activa para tensiones superiores a 3 V Solamente se puede programar una entrada a través del AXIS NVR Manager, consulte <i>Configuración de la alimentación</i> , en la página 71	Entrada máx. = + 30 V
4	Entrada 2		
5	Entrada 3		
6	Entrada 4		
7	Entrada 5		
8	Entrada 6		
9	Entrada 7		
10	Entrada 8		
11	Alimentación de 5 V CC	Este pin puede usarse para alimentar equipos auxiliares. Nota: Este pin sólo se puede usar como salida de alimentación.	Carga máx. = 250 mA
12	GND	Toma de tierra	

## Indicadores LED

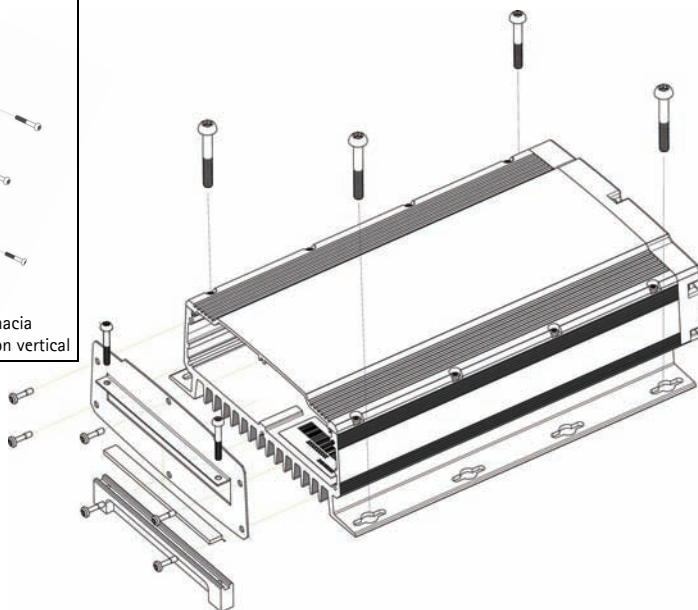
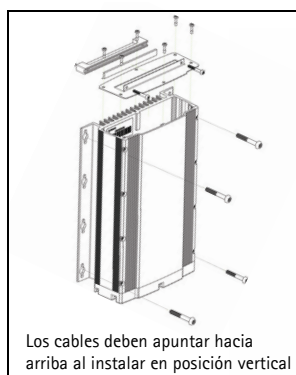
LED	Color	Indicación	
Red	Ámbar	Enlace establecido.	
	Verde Apagado	Fijo	para indicar la conexión a una red de 100 Mbits/s
Parpadeo		Para conexión a una red de 1 Gbit/s	
Alimentación	Verde	Con alimentación. Operación normal.	
	Verde y ámbar	Alimentación con batería	
	Apagado	Alimentación apagada	
PoE/enlace	Verde	Fijo	Se está suministrando alimentación a la cámara
		Parpadea lentamente	Cortocircuito
		Secuencia de 2 parpadeos	Error en la conexión PoE.
		Secuencia de 5 parpadeos	Las unidades conectadas exceden la carga máxima.
	Secuencia de 6 parpadeos	Las unidades conectadas en el grupo de la izquierda o la derecha exceden la carga máxima.	
Ámbar	Enlace establecido		

## Instalación del hardware

### Antes de comenzar

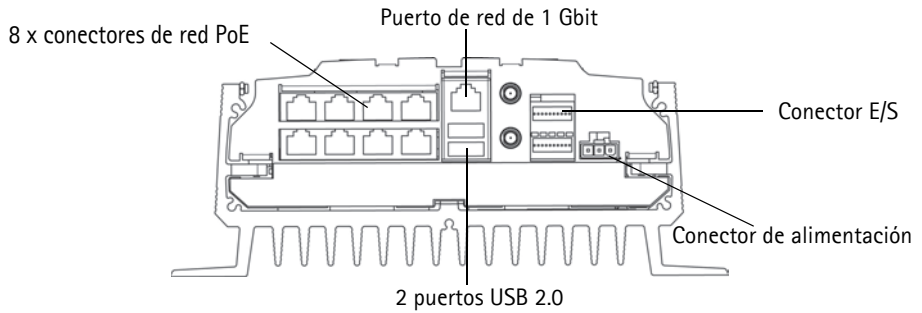
Existen ciertos aspectos que se deben considerar antes de la instalación de la AXIS Q8108-R.

- La cubierta de la AXIS Q8108-R está diseñada de modo que pueda montarse directamente sobre cualquier superficie mediante un mínimo de 4 tornillos adecuados para el tipo de superficie
  - El margen de temperatura de funcionamiento depende del disco duro
  - Realice la instalación en una zona abierta y deje 10 mm de espacio por todos los lados para permitir la refrigeración y ventilación de la unidad.
  - Asegúrese de disponer de una protección adecuada con fusibles: 12 V CC (10 A) o 24 V CC (5 A)
1. Utilice un mínimo de 4 tornillos adecuados para el tipo de superficie. La cámara AXIS Q8108-R está diseñada para su instalación en cualquier posición, pero si la va a instalar en posición vertical, el estante para el cable debe apuntar hacia arriba para una óptima disipación del calor.



2. Pase los cables a través del estante para el cable. Para cumplir con el grado de protección IP65, use el sellado del cable (no incluido).
3. Conecte todos los cables pertinentes. Consulte *Conecte los cables*, en la página 67.
4. Acople el estante frontal para el cable a la AXIS Q8108-R con los cuatro tornillos incluidos.
5. Apriete el estante para sujetar los cables. Esto evita que se produzcan daños en el conector durante la operación.

## Conecte los cables

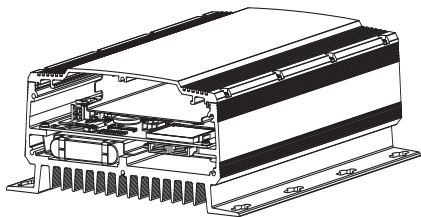


1. Instale hasta 8 cámaras de red Axis, de acuerdo con sus guías de instalación.
2. Conecte las cámaras a la unidad AXIS 8108-R a través de los conectores PoE RJ-45, que ofrecen tanto alimentación como conexión de red para cada cámara.
3. También existe la opción de conectar dispositivos de entrada/salida externos.
4. Conecte el cable de alimentación al bloque de alimentación.

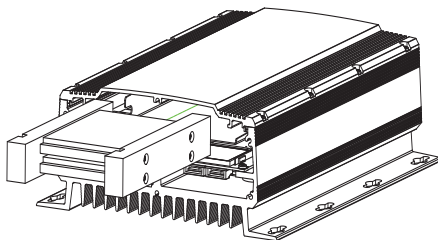
## Montaje de disco duro

La unidad AXIS Q8108-R admite hasta 2 discos duros separados. Siga estas instrucciones y consulte las recomendaciones del fabricante para montar o cambiar el disco duro.

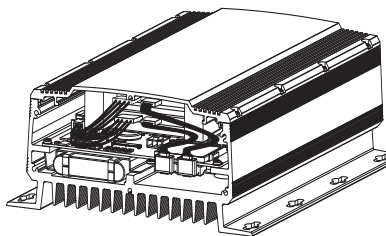
1. Retire la cubierta posterior.
2. Apague la alimentación de la AXIS Q8108-R, consulte *Puesta en marcha y apagado*, en la página 69 y *Indicadores LED*, en la página 65.
3. Inserte los discos duros en el kit adaptador. Es posible utilizar un disco duro de 3,5" o hasta dos de 2,5".
4. Inserte el kit adaptador con los discos duros en el soporte de la tapa.
5. Acople los conectores SATA.
6. Encienda el dispositivo.
7. Vuelva a colocar la cubierta posterior y apriete los tornillos



1



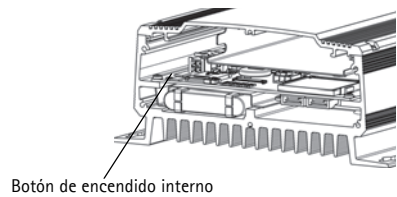
2



3

## Puesta en marcha y apagado

La unidad AXIS Q8108-R se pone en marcha automáticamente al suministrar alimentación. Consulte *AXIS NVR Manager*, en la página 71 para conocer más opciones. La unidad AXIS Q8108-R realiza automáticamente un apagado controlado pasado un minuto desde que se desconecta la alimentación.



### Botón de encendido interno

Utilice este botón para arrancar manualmente o apagar la AXIS Q8108-R. Cuando se pulsa brevemente, la NVR se apagará de forma controlada, tras unos 15 a 30 segundos. Si mantiene pulsado el botón durante más de 3 segundos, la NVR realizará un apagado forzado. Esto es útil en caso de que, por alguna razón, la NVR no responda.

El botón de encendido interno también se utiliza para restablecer la NVR a sus valores iniciales, consulte *Restablecimiento de los valores iniciales*.

### Funcionamiento con batería de reserva

La unidad AXIS Q8108-R dispone de un sistema de alimentación interrumpida (UPS) diseñado para los cortes de alimentación de corta duración. En el caso de períodos de más de 1 minuto, el SAI suministrará la energía suficiente para que la unidad AXIS Q8108-R realice un apagado controlado.

No podrá producirse un apagado controlado si la temperatura de la batería se encuentra fuera del intervalo de carga 0 °C - 45 °C.

## Restablecimiento de los valores iniciales

De este modo, se restablece la unidad a los valores iniciales, incluida la contraseña.

1. Desconecte la corriente de la NVR y retire la cubierta posterior.
2. Asegúrese de que todos los indicadores LED estén apagados (podría tardar unos instantes).
3. Mantenga pulsado el botón de encendido interno y vuelva a conectar la alimentación.
4. Suelte el botón de encendido interno cuando el indicador LED esté iluminado.

Se habrán restablecido estos ajustes:

- La configuración de la red se restablece a los valores iniciales (DHCP y UPnP™ desactivados)
- La contraseña de administrador pasa a ser "password"
- La configuración de la alimentación pasa a "Automática"

El restablecimiento de la NVR a sus valores iniciales no afectará a los ajustes de AXIS Camera Station ni a las grabaciones.

## Configuración de su ordenador

Esta sección le asistirá durante la instalación de AXIS NVR Manager y AXIS Camera Station Client, y le ayudará a configurarlos para sus grabadoras de vídeo en red y cámaras de red Axis. El documento ofrece una breve introducción a la funcionalidad del software. Para obtener más información, consulte los archivos de ayuda contextual de AXIS Camera Station o el Manual del usuario, disponible en [www.axis.com](http://www.axis.com).

AXIS NVR Manager se utiliza para el reconocimiento, configuración y actualización del firmware de la AXIS Q8108-R. Visite [www.axis.com](http://www.axis.com) para descargar el AXIS NVR Manager y siga las instrucciones del asistente de instalación. Asegúrese de disponer de todos los derechos de administrador en el equipo en el que realice la instalación.

AXIS Camera Station Client sirve para supervisar, grabar, reproducir y gestionar eventos en las cámaras de red Axis. Abra AXIS Camera Station Client desde AXIS NVR Manager y siga las instrucciones del asistente de instalación o descárguelo en [www.axis.com](http://www.axis.com).

Requisitos mínimos para AXIS NVR Manager y AXIS Camera Station Client

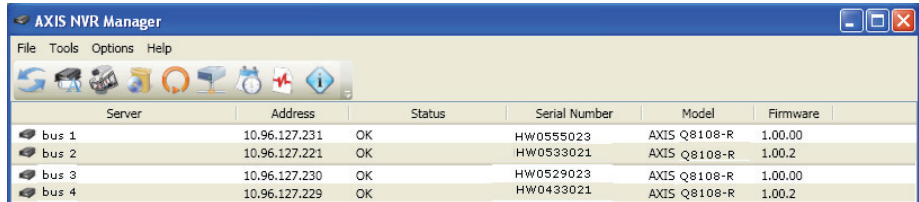
Requisitos mínimos del PC:

- Memoria: 1 GB de RAM
- Software: Windows XP SP2, Server 2003 SP2, Windows Vista, Windows 7 (para otros sistemas operativos, consulte la página [www.axis.com/techsup](http://www.axis.com/techsup)), Microsoft .NET 3.5 (incluido en el paquete de instalación)
- Compatible con DirectX 9.0c

Para conocer los requisitos individuales de cada PC para AXIS Camera Station Client, consulte el Manual del usuario de AXIS Camera Station.

## AXIS NVR Manager

1. Realice la conexión con la NVR directamente a través de un cable de red o a través de la red y asegúrese de que reciba alimentación.
2. Abra el AXIS NVR Manager.
3. AXIS NVR Manager reconocerá automáticamente todas las NVR que se encuentren en la misma red. Tenga en cuenta que la puesta en marcha de la NVR tarda más de un minuto y debe completarse antes de que sea posible reconocerla.



Server	Address	Status	Serial Number	Model	Firmware
bus 1	10.96.127.231	OK	HW0555023	AXIS Q8108-R	1.00.00
bus 2	10.96.127.221	OK	HW0533021	AXIS Q8108-R	1.00.2
bus 3	10.96.127.230	OK	HW0529023	AXIS Q8108-R	1.00.00
bus 4	10.96.127.229	OK	HW0433021	AXIS Q8108-R	1.00.2

## Configuración de la contraseña

El nombre de usuario predeterminado es "Administrator" y la contraseña es "password". Le recomendamos encarecidamente que modifique de inmediato la contraseña del administrador a una contraseña segura que contenga mayúsculas, minúsculas y números.

1. Seleccione la NVR en la ventana del AXIS NVR Manager.
2. Vaya a **Herramientas > Configuración del usuario**.
3. Seleccione **Administrador**, haga clic en **Editar** y escriba una contraseña segura.

## Configuración de red

La configuración de red se pueden asignar de forma automática o manualmente. Vaya a **Herramientas > Configuración de red**.

Para acceder a la NVR desde un router, es necesario que UPnP™ esté activado en AXIS NVR Manager. Marque **Activar UPnP™** en **Configuración de red**. Al habilitar UPnP™, la NVR debe encontrarse en la misma subred que su ordenador. Asegúrese de que el router tenga capacidad UPnP™ y tenga habilitada la opción de UPnP™.

### ¡Precaución!

Por razones de seguridad, habilite UPnP™ para poder acceder a la NVR a través de AXIS NVR Manager o AXIS Camera Station únicamente cuando la NVR se encuentre detrás de un router que precise NAT transversal.

## Configuración de la alimentación

Para configurar cómo se enciende la NVR, vaya a **Herramientas > Configuración de energía**. La cámara AXIS Q8108-R se puede configurar de modo que se encienda automáticamente cuando esté disponible la alimentación externa, de forma manual con el botón de encendido interno, o cuando se conecte un botón externo a un puerto de entrada.

### Nota:

Si la configuración de alimentación se realiza incorrectamente, es posible que no pueda arrancar la NVR. Para remediar esta situación, vaya a **Restablecimiento de los valores iniciales**, en la página 69 y siga las instrucciones.

## AXIS Camera Station

AXIS Camera Station Client sirve para supervisar, grabar, reproducir y gestionar eventos.

### Conexión de AXIS Camera Station Client

Desde AXIS NVR Manager, seleccione un dispositivo NVR y haga clic en el icono **Iniciar AXIS Camera Station Client** o abra **AXIS Camera Station Client** desde el ordenador, e introduzca la dirección de la red de la NVR en el cuadro de diálogo de inicio de sesión.

#### Notas:

- Si no se ha instalado previamente la versión correcta de **AXIS Camera Station Client** en el ordenador en el que se ejecute **AXIS NVR Manager**, aparecerá un mensaje para realizar una instalación.
- Es necesario eliminar del ordenador las versiones anteriores de **AXIS Camera Station Client** y **AXIS Camera Station Server** antes de instalar esta versión. No continúe con la instalación si no desea eliminar las versiones anteriores.

Para iniciar sesión en la NVR, introduzca el nombre de usuario y la contraseña de administrador que ha configurado en **NVR Manager**; consulte *Configuración de la contraseña*, en la página 71.

### Configuración de AXIS Camera Station

Para facilitar la navegación, **AXIS Camera Station** está dividida en espacios de trabajo; **En vivo**, **Grabaciones**, **Registros** y **Configuración**.

- **En vivo**: proporciona una única interfaz para organizar y monitorizar las cámaras de red y los codificadores de vídeo **AXIS** de la red.
- **Grabaciones**: busque, reproduzca y exporte grabaciones de una o varias cámaras en un intervalo de tiempo deseado con la visualización de la línea temporal.
- **Registros**: registros de alarmas, eventos y auditoría para obtener al instante una visión general del sistema.
- **Configuración**: contiene una colección de todos los vínculos importantes para agregar cámaras, configurar grabaciones, permisos de usuario, configuración de eventos y más

La primera vez que se inicia **AXIS Camera Station**, se añaden automáticamente las cámaras y codificadores de vídeo **Axis** que se encuentran en la red. Si hay un número de cámaras en la red superior al que permite una licencia, vaya a **Configuración > Agregar/Editar cámaras**.

#### Nota:

Para utilizar la NVR como servidor NTP para las cámaras añadidas, utilice la dirección IP de la NVR.

Para obtener más información, consulte la ayuda contextual de **AXIS Camera Station** o el Manual del usuario.



## Especificaciones técnicas

Función/ grupo	Artículo	Especificación
	Modelo	AXIS Q8108-R
Sistema	Procesador	CPU Intel Atom Z5 de 1,1 GHz
	RAM	SODIMM DDR2 de 1 GB
	Disco del sistema	Unidad Compact Flash PATA de 4 GB
	Sistema operativo	Windows Embedded Standard 2009
	Batería de reserva	Apagado controlado 1 minuto después de la pérdida de alimentación
Red	Seguridad	Protección por contraseña, registro de acceso de usuarios
	NTP	Servidor NTP incluido
Software	Software de gestión de vídeo	AXIS Camera Station, incluida licencia para 8 canales. Para más información, consulte <a href="http://www.axis.com/products/cam_station_software">www.axis.com/products/cam_station_software</a>
	Interfaz de programación de aplicaciones	API abierta para la integración de software
	Compresión de vídeo	H.264 (MPEG-4 parte 10/AVC), MPEG-4 parte 2, Motion JPEG
	Compresión de audio	AAC,G.711, G.726
	Resoluciones	Compatible con las resoluciones de los productos de vídeo Axis conectados
	Velocidad de grabación	Compatible con las frecuencias de imagen de los productos de vídeo Axis conectados (Frecuencia de bits de grabación total máxima de 70 Mb/s)
General	Carcasa	Carcasa de aluminio robusta, con clasificación de protección IP43
	Tensión de entrada	12 o 24 V CC
	Potencia máxima	84 W
	Salida PoE	8 PoE clase 1 ó 1 PoE clase 0 + 4 PoE clase 1 ó 2 PoE clase 0
	Conectores	2x puertos USB de alta velocidad, 1x puerto Gbit para conexión externa, 8 RJ-45 10BASE-T/100BASE-TX PoE, 2 puertos de salida digital y 8 puertos de entrada digital, 2 conectores SATA
	Temperaturas de funcionamiento	-10 a 50 °C

Función/ grupo	Artículo	Especificación
	<b>Peso</b>	3,7 kg
	<b>Homologaciones</b>	Directiva UE 2002/96/CE, MIL STD-810F Método 516.5 Procedimiento I, MIL STD-810F Método 514.5, EN 55022, EN 55024, EN 61000-4-2, ISO 11452-2, EN 61000-4-3, ISO 11452-2, EN 61000-4-4, EN 61000-4-5, EN 61000-4-11, ISO 7637-2, EN50121-3-2, FCC parte 15 subparte B clase B
	<b>Personalización del proyecto</b>	WLAN 802.11b/g, GSM/UMTS/HSDPA, GPS, acelerómetro



User's Guide

Ver.1.1

AXIS Q8108-R

Printed: November 2010

© Axis Communications AB, 2010

Part No. 40118