

DX-PHD35 3.5" PATA Hard Drive Disk Enclosure

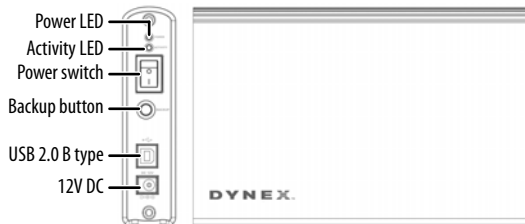
Package contents

- USB 2.0 3.5" PATA hard drive enclosure
- USB 2.0 cable A-B
- AC power adapter
- Utility CD with *User Guide* and *Roxio BackOnTrack* software
- Accessories:
 - Screwdriver
 - Screws (4)
- *User Guide*
- *Quick Setup Guide*

System requirements

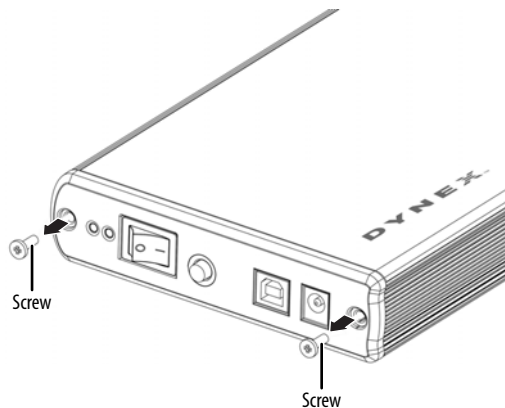
- Computer with an available USB 2.0 port
 - 3.5" PATA hard drive
 - Windows 7, Windows Vista, and Windows XP operating system.
 - MAC OS X version 10.4 or higher operating system.
- For highest performance and reliability, install the latest updates and service pack (SP). For Windows, go to the **Start** menu, then select **Windows Update**.

Features

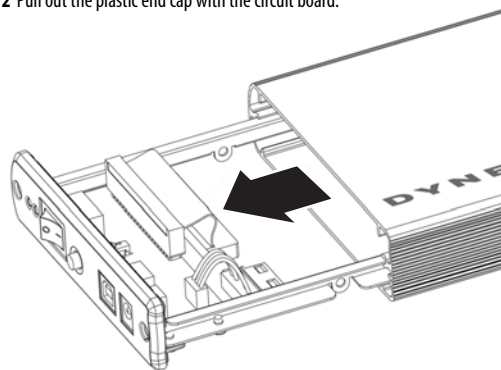


Installing your hard drive in the enclosure

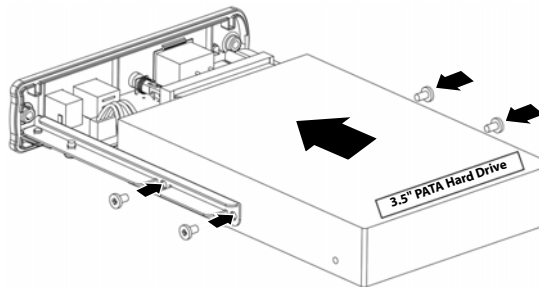
1 Remove two screws on the left side of panel.



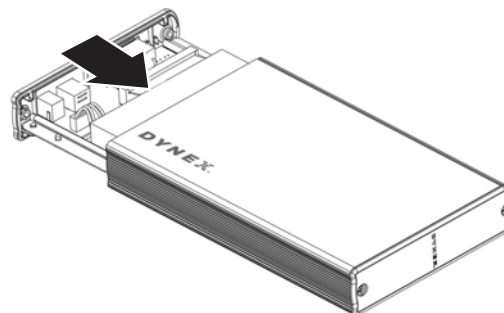
2 Pull out the plastic end cap with the circuit board.



3 Connect the drive to the 40-pin data connector and to the power connector on the enclosure circuit board, then secure the drive to the rails with the four screws (provided).



4 Place the hard drive with the plastic cap back into the aluminum housing and secure it with the two screws you previously removed.



Connecting the enclosure to your computer

Note: Make sure you have already installed a hard drive into the enclosure before you connect the enclosure to your computer.

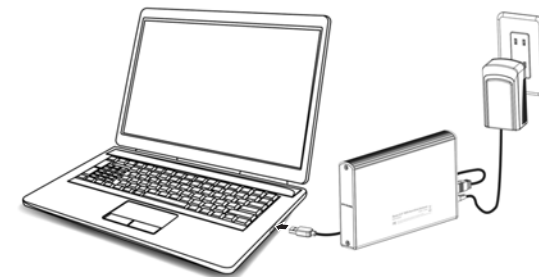


- 1 Plug the AC power adapter into the 12V DC jack, then plug it into an AC power outlet.
- 2 Plug the USB B type connector into the enclosure, then plug the A type connector into one of the available USB 2.0 ports on your computer.
- 3 Press the power button to turn on the enclosure. The operating system automatically detects and sets up the new drive. The power LED turns on when the enclosure/hard drive turns on.
- 4 If the drive is correctly detected, a new drive letter is assigned.
 - For PCs, the new drive letter appears in *My Computer*.
 - For Macintosh computers, the new drive letter appears on your desktop.

Note for Windows users: If you do not see an additional drive in your system, you must format the new drive. See the instructions below.

Note for Macintosh users: If you do not see an additional drive in your system, select **Disk Utilities** from the *Utilities* folder, then select the external enclosure and format the drive to meet your requirements.

5 If the drive is new and is not formatted, follow the steps below to format the drive. Otherwise, continue to "Installing the backup software".



Formatting the hard drive

For Windows users:

- 1 Right click **My Computer** (or **Computer** depending on what version of Windows you have), then click **Manage**.
- 2 Under *Storage* on the LEFT pane, select **Disk Management**.
- 3 Click on the new drive, then click on the *Action* tab at the top of screen.
- 4 Go to *All Tasks*, then click **Format** from the menu.
- 5 Select other choices you want, then click **OK**.

For Macintosh users:

- 1 Start the *Disk Utility* tool (under *Applications*).
- 2 Select the new hard drive you are trying to install.
- 3 Click the **Erase** tab.
- 4 Choose a volume format and assign a name to the new drive.
- 5 Click **Erase**.
- 6 Once complete, an icon for your new hard drive appears on your desktop.

Installing the software

This Utility CD includes backup software to enable you to back up your files.

Note: This *Roxio BackOnTrack* software only runs on Windows 7, Windows Vista, or Windows XP computers.

Important: Before installing the backup software, make sure that your Windows operating system has been updated to the latest service pack.

To install backup software:

- 1 Save all files and close all programs.
- 2 Insert the included utility CD into your optical drive. Your computer automatically detects the CD. Or, if the screen does not open, locate the CD in Windows Explorer and double-click **Run.exe** on the CD. The initial menu opens.
- 3 Click **Install Backup Software**. The *Welcome* screen opens.
- 4 Click **Next**. Then *Roxio End-User License Agreement* screen opens.
- 5 Read the license agreement, click "I accept...", then click **NEXT**. The *Choose Setup Type* screen opens.
- 6 Choose setup type, then click **Install** to start installation. It may take several minutes to install the software.
- 7 When installation is complete, the *Setup Wizard Completed* screen opens.
- 8 Click **Finish** to complete the installation.

See your *User Guide* located on the CD for information on using the software.

Using one-touch backup

To use one-touch backup if you have set up a backup project:

Press the *One-Touch* button on the side of the HDD enclosure. The backup process begins.

To use one-touch backup if you have NOT set up a backup project:

- 1 Press the **One-Touch** button on the side of the HDD enclosure. The *Roxio BackOnTrack* software opens with the *Backup files* pages displayed.
- 2 Follow the on-screen instructions to set up a backup project.
- 3 After a backup project is set up, push the **One-Touch** button to backup your data.
- 4 To modify *One-Touch* backups in the future, follow the instructions for setting up backup in your *User Guide*.

Disconnecting the enclosure from your computer

For Windows users:

Note: If a drive window is open or the hard drive enclosure is active, close any associated windows before attempting to remove the enclosure.

- 1 Right-click the **Safely Remove Hardware** icon (located in the notification area of the taskbar where you usually see the time displayed.).
- 2 Select the drive you want to unplug, then click **STOP**.
- 3 When Windows notifies you that it is safe to do so, unplug the enclosure from your computer.

To disconnect the enclosure from your Macintosh computer without shutting it down:

- 1 Drag the **USB** icon into the **TRASH**.
- 2 Unplug the enclosure.

One-year limited warranty

For complete warranty, visit www.dynexproducts.com.

Contact Dynex:

For customer service call 1-800-305-2204
www.dynexproducts.com

© 2011 BBY Solutions, Inc. All Rights Reserved.

DYNEX is a trademark of BBY Solutions, Inc. Registered in some countries. All other products and brand names are trademarks of their respective owners.