

- Ⓧ **Bedienungsanleitung
Tauchpumpe**
- Ⓤ **Operating Instructions
Submersible Pump**
- Ⓧ **Mode d'emploi
Pompe submersible**
- Ⓧ **Istruzioni per l'uso
Pompa sommersa**
- Ⓧ **Betjeningsvejledning
Dykpumpe**
- Ⓧ **Használati utasítás
Bemerülő szivattyú**
- Ⓧ **Upute za uporabu
Podvodna pumpa**
- Ⓧ **Uputstva za upotrebu
Podvodna pumpa**

Einhell[®]

1

CE

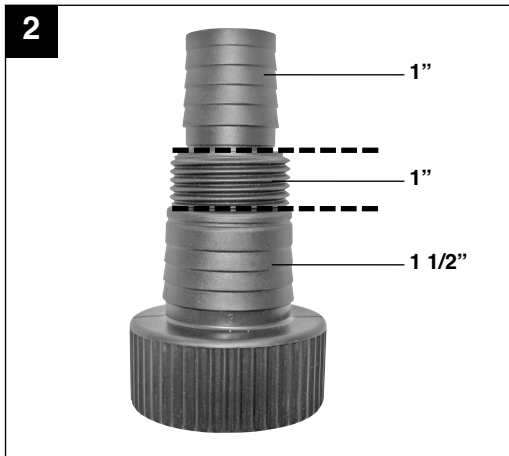
Art.-Nr.: 41.702.91

I.-Nr.: 01018

BG-SP 250



- Ⓓ Vor Inbetriebnahme Bedienungsanleitung und Sicherheitshinweise lesen und beachten
- Ⓔ Read and follow the operating instructions and safety information before using for the first time.
- Ⓕ Avant la mise en service, lisez le mode d'emploi et les consignes de sécurité et respectez-les.
- Ⓖ Prima della messa in esercizio leggete e osservate le istruzioni per l'uso e le avvertenze di sicurezza.
- Ⓝ Betjeningsvejledningen og sikkerhedsanvisningerne skal læses, inden maskinen tages i brug. Alle anvisninger skal følges.
- Ⓜ Üzembehelyezés előtt elolvasni és figyelembe venni a használati utasítást és a biztonsági utasításokat.
- Ⓡ Prije puštanja u rad pročitajte i pridržavajte se ovih uputa za uporabu i sigurnosnih napomena.
- Ⓢ Prije puštanja u pogon pročitajte i uvažite uputstva za upotrebu i napomene bezbednosti.



GB**⚠ Important!**

When using equipment, a few safety precautions must be observed to avoid injuries and damage. Please read the complete operating manual with due care. Keep this manual in a safe place, so that the information is available at all times. If you give the equipment to any other person, give them these operating instructions as well.

We accept no liability for damage or accidents which arise due to non-observance of these instructions and the safety information.

1. Safety regulations**⚠ Caution!**

In stagnant water bodies, garden ponds, swimming ponds and their surrounding areas the unit may only be used with an earth-leakage circuit breaker with an actuating rated current of up to 30 mA (according to VDE 0100 Part 702 and 738).

The equipment is not designed for use in swimming pools and paddling pools of any kind or other bodies of water in which people or animals may be present during operation. It is prohibited to operate the equipment if a person or animal is in the danger area. Ask your electrician!

This equipment is not designed to be used by people (including children) with limited physical, sensory or mental capacities or those with no experience and/or knowledge unless they are supervised by a person who is responsible for their safety or they have received instructions from such a person in how to use the equipment safely. Children must always be supervised in order to ensure that they do not play with the equipment.

Important!

- Before you put the equipment into operation, arrange for a specialist to check that the
 - earthing
 - protective multiple earthing
 - residual-current operated circuit-breaker circuit
 comply with the safety regulations of the power supply company and work correctly.
- The electrical plug-in connections must be protected from wet conditions.
- If there is a risk of flooding, place the plug-in connections in an area which is safe from flooding.
- Strictly avoid pumping aggressive liquids and

8

abrasive substances.

- Protect the equipment from frost.
- Protect the equipment from dry running.
- Take suitable measures to keep the equipment out of the reach of children.

⚠ CAUTION!**Read all safety regulations and instructions.**

Any errors made in following the safety regulations and instructions may result in an electric shock, fire and/or serious injury.

Keep all safety regulations and instructions in a safe place for future use.

2. Layout (Fig. 1)

1. Handle
2. Universal hose connection
3. Intake cage
4. Floating switch

3. Proper use

The equipment you have purchased is designed to pump water with a maximum temperature of 35 °C. This equipment must never be used for other liquids, especially engine fuels, cleaning agents and other chemically-based products! Installed in a shaft, the equipment provides protection from flooding.

However, it can be used wherever you want to move water, e.g. in the house, in the garden, and for many other applications. The equipment must not be used to operate swimming pools!

If you want to use the equipment in bodies of water with a natural, muddy bottom, place the equipment in a slightly elevated position, e.g. on bricks.

The equipment is not designed for continuous operation, e.g. as a circulating pump in a pond. In this case the equipment's anticipated life will be greatly shortened because the equipment was not designed for continuous loading.

The equipment is to be used only for its prescribed purpose. Any other use is deemed to be a case of misuse. The user / operator and not the manufacturer will be liable for any damage or injuries of any kind caused as a result of this.

Please note that our equipment has not been designed for use in commercial, trade or industrial applications. Our warranty will be voided if the

machine is used in commercial, trade or industrial businesses or for equivalent purposes.

4. Technical data

Mains connection	230V ~ 50 Hz
Power rating	250 W
Max. pumping rate	6200 l/h
Max. delivery head	5,5 m
Max. immersion depth	5 m
Max. water temperature	35 °C
Hose connection	1 1/2" female thread
Max. size of foreign bodies:	Ø 3 mm
Switching point height: ON	max. approx. 50 cm
Switching point height: OFF	min. approx. 5 cm

5. Before putting the equipment into operation

5.1 Installation

The equipment can be installed either:

- Stationary with rigid tubing
- or
- Stationary with a flexible hose line

Note:

The maximum pumping rate is possible only with the largest possible line diameter; if smaller hoses or tubes are connected, the pumping rate will be reduced. If the universal hose connection (Fig. 1/Item 2) is used, it should be shortened (as shown in Fig. 2) to the connection actually used in order not to reduce the pumping rate unnecessarily. Flexible hoses must be fastened to the universal hose connection with a hose clip (not included in the scope of supply).

Note!

When installing, never hang the equipment by the discharge line or by the power cable. The equipment must be hung up with the provided carry handle or it must rest on the bottom of the shaft. To ensure that the equipment works properly, the bottom of the shaft always must be free of sludge and other accumulations of dirt. If the water level is too low, the sludge in the shaft can quickly dry out and hinder the equipment from starting. It is necessary therefore to check the equipment regularly (carry out trial start-ups).

Note:

The pump shaft should measure at least 40 x 40 x 50 cm so that the floating switch can move freely.

5.2 Mains connection

The equipment you have purchased comes with an earthing-pin plug. The equipment is designed for connection to a socket outlet with earthing contact for 230 V ~ 50 Hz. Make sure that the socket-outlet is sufficiently fused (at least 6 A) and in good working order. Insert the power plug in the socket-outlet and the equipment is ready for operation.

Important!

To rule out danger, this work must be left strictly to a specialist electrician or Customer Service.

6. Operation

You can put the equipment into operation after you have thoroughly read the installation and operating instructions. Pay attention to the following points:

- Make sure that the equipment is set up securely.
- Check that the discharge line is fitted correctly.
- Make sure that the electrical connection is 230 V ~ 50 Hz.
- Check that the electrical socket-outlet is in good working order.
- Make sure that no moisture or water can ever reach the power connection.
- Make sure that the equipment does not run dry.

Setting the ON/OFF switching point:

The ON/OFF switching point of the floating switch can be adjusted by shifting the floating switch in the floating switch notched holder. Check the following points before putting the equipment into operation:

- The floating switch must be fitted so that the switching point height: ON and the switch point height: OFF can be reached easily and with little force. Check this by placing the equipment in a container filled with water and carefully raising and lowering the floating switch with your hand. You can then see whether the equipment switches on and off.
- Make sure that the distance between the floating switch head and the cable holder is not too small. If the distance is too small, there is no guarantee that the equipment will work correctly.
- When adjusting the floating switch, make sure that the floating switch does not touch the bottom before the equipment is switched off. Important! Risk of dry running.

GB

7. Replacing the power cable

If the power cable for this equipment is damaged, it must be replaced by the manufacturer or its after-sales service or similarly trained personnel to avoid danger.

8. Cleaning, maintenance and ordering of spare parts

Important!

- Unplug the power plug prior to any maintenance work.
- For mobile applications, the equipment should be cleaned with clear water after every usage.
- For stationary installation, it is recommended that you check the floating switch for proper functioning every three months.
- Use a water jet to remove any lint or fibrous particles that may have become trapped in the housing.
- Remove sludge from the shaft bottom and clean the shaft walls every 3 months.
- Use clear water to remove deposits from the floating switch.

8.1 Cleaning the paddle wheel

If a lot of deposits collect in the housing, the bottom part of the equipment must be dismantled as follows:

1. Disconnect the intake cage from the housing.
2. Clean the paddle wheel with clear water.

Important! Do not put down or rest the equipment on the paddle wheel!

3. Assemble in reverse order.

8.2 Maintenance

There are no parts inside the equipment which require additional maintenance.

8.3 Ordering replacement parts:

Please quote the following data when ordering replacement parts:

- Type of machine
- Article number of the machine
- Identification number of the machine
- Replacement part number of the part required

For our latest prices and information please go to www.isc-gmbh.info

9. Disposal and recycling

The unit is supplied in packaging to prevent its being damaged in transit. This packaging is raw material and can therefore be reused or can be returned to the raw material system.

The unit and its accessories are made of various types of material, such as metal and plastic. Defective components must be disposed of as special waste. Ask your dealer or your local council.

10. Troubleshooting guide

Faults	Cause	Remedy
The equipment does not start	<ul style="list-style-type: none"> - Power supply not connected - Floating switch does trigger 	<ul style="list-style-type: none"> - Check power supply - Raise position of floating switch
The equipment does not pump	<ul style="list-style-type: none"> - Intake sieve clogged - Discharge hose kinked 	<ul style="list-style-type: none"> - Clean intake sieve with water jet - Unkink the hose
The equipment does not cut out	<ul style="list-style-type: none"> - Floating switch cannot sink 	<ul style="list-style-type: none"> - Place equipment correctly on shaft bottom
Insufficient pumping rate	<ul style="list-style-type: none"> - Intake sieve clogged - Performance reduced due to heavily contaminated and abrasive water impurities 	<ul style="list-style-type: none"> - Clean intake sieve - Clean equipment and replace wear parts
The equipment switches off after briefly running	<ul style="list-style-type: none"> - Motor circuit-breaker switches the equipment off due to excessive water contamination - Water temperature too high; motor circuit-breaker switches the equipment off 	<ul style="list-style-type: none"> - Unplug power plug and clean equipment and shaft - Ensure that maximum permissible water temperature (35 °C) is not exceeded



Konformitätserklärung

ISC-GmbH · Eschenstraße 6 · D-94405 Landau/Isar

D erklärt folgende Konformität gemäß EU-Richtlinie und Normen für Artikel
GB declares conformity with the EU Directive and standards marked below for the article
F déclare la conformité suivante selon la directive CE et les normes concernant l'article
NL verklaart de volgende conformiteit in overeenstemming met de EU-richtlijn en normen voor het artikel
E declara la siguiente conformidad a tenor de la directiva y normas de la UE para el artículo
P declara a seguinte conformidade de acordo com a directiva CE e normas para o artigo
S förklarar följande överensstämmelse enl. EU-direktiv och standarder för artikeln
FIN ilmoittaa seuraavaa Euroopan unionin direktiivien ja normien mukaista yhdenmukaisuutta tuotteelle
N erklærer herved følgende samsvar med EU-direktiv og standarder for artikkel
BS заявляет о соответствии товара следующим директивам и нормам ЕС
HR izjavljuje sljedeću uskladenost s odredbama i normama EU za artikl.
RO declară următoarea conformitate cu linia directoare CE și normele valabile pentru articolul.
TR ürün ile ilgili olarak AB Yönetmelikleri ve Normları gereğince aşağıdaki uygunluk açikla masını sunar.
GR δηλώνει την ακόλουθη συμφωνία σύμφωνα με την Οδηγία ΕΕ και τα πρότυπα για το προϊόν


I dichiara la seguente conformità secondo la direttiva UE e le norme per l'articolo
DK attesterer følgende overensstemmelse i henhold til EU-direktiv og standarder for produkt
CZ prohlašuje následující shodu podle směrnice EU a norem pro výrobek.
H a következő konformitást jelenti ki a termékerekre vonatkozó EU-irányvonalak és normák szerint
SV pojasnjuje sledečo skladnost po smernici EU in normah za artikel.
PL deklaruje zgodność wymienionego poniżej artykułu z następującymi normami na podstawie dyrektywy WE.
SK vydáva nasledujúce prehlásenie o zhode podľa smernice EÚ a noriem pre výrobok.
BG декларира следното съответствие съгласно директивите и нормите на ЕС за продукта.
HR заявља про відповідність згідно з Директивою ЄС та стандартами, чинними для даного товару
ES deklareerib vastavuse järgnevalele EL direktiivi dele ja normidele
LT deklaruoja atitiktį pagal ES direktyvas ir normas straipsniui
RO izjavljuje sledeći konformitet u skladu s odredbom EZ i normama za artikl
LV Atbilstības sertifikāts apliecina zemāk minēto preču atbilstību ES direktīvām un standartiem
IS Samræmisfyrirýsing staðfestir eftirfarandi samræmi samkvæmt reglum Evrópubandalagsins og stöðlum fyrir vörur

Tauchpumpe BG-SP 250

<input type="checkbox"/> 98/37/EC	<input type="checkbox"/> 87/404/EEC
<input checked="" type="checkbox"/> 2006/95/EC	<input type="checkbox"/> R&TTED 1999/5/EC
<input type="checkbox"/> 97/23/EC	<input type="checkbox"/> 2000/14/EC_2005/88/EC:
<input checked="" type="checkbox"/> 2004/108/EC	<input type="checkbox"/> 95/54/EC:
<input type="checkbox"/> 90/396/EEC	<input type="checkbox"/> 97/68/EC:
<input type="checkbox"/> 89/686/EEC	

EN 60335-1; EN 60335-2-41; EN 50366;
 EN 55014-1; EN 55014-2; EN 61000-3-2; EN 61000-3-3

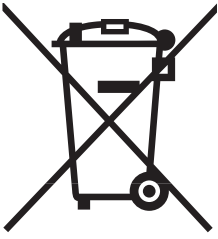
Landau/Isar, den 13.02.2008


 Weichselgartner
 General-Manager


 Wang
 Product-Management

Art.-Nr.: 41.702.91 I.-Nr.: 01018
 Subject to change without notice

Archivierung: 4170280-35-4155050



Ⓞ Nur für EU-Länder

Werfen Sie Elektrowerkzeuge nicht in den Hausmüll!

Gemäß europäischer Richtlinie 2002/96/EG über Elektro- und Elektronik-Altgeräte und Umsetzung in nationales Recht müssen verbrauchte Elektrowerkzeuge getrennt gesammelt werden und einer umweltgerechten Wiederverwertung zugeführt werden.

Recycling-Alternative zur Rücksendeaufforderung:

Der Eigentümer des Elektrogerätes ist alternativ anstelle Rücksendung zur Mitwirkung bei der sachgerechten Verwertung im Falle der Eigentumsaufgabe verpflichtet. Das Altgerät kann hierfür auch einer Rücknahmestelle überlassen werden, die eine Beseitigung im Sinne der nationalen Kreislaufwirtschafts- und Abfallgesetze durchführt. Nicht betroffen sind den Altgeräten beigefügte Zubehörteile und Hilfsmittel ohne Elektrobestandteile.

Ⓞ For EU countries only

Never place any electric tools in your household refuse.

To comply with European Directive 2002/96/EC concerning old electric and electronic equipment and its implementation in national laws, old electric tools have to be separated from other waste and disposed of in an environment-friendly fashion, e.g. by taking to a recycling depot.

Recycling alternative to the demand to return electrical devices:

As an alternative to returning the electrical device, the owner is obliged to cooperate in ensuring that the device is properly recycled if ownership is relinquished. This can also be done by handing over the used device to a returns center, which will dispose of it in accordance with national commercial and industrial waste management legislation. This does not apply to the accessories and auxiliary equipment without any electrical components which are included with the used device.

Ⓞ Uniquement pour les pays de l'Union Européenne

Ne jetez pas les outils électriques dans les ordures ménagères.

Selon la norme européenne 2002/96/CE relative aux appareils électriques et systèmes électroniques usés et selon son application dans le droit national, les outils électriques usés doivent être récoltés à part et apportés à un recyclage respectueux de l'environnement.

Possibilité de recyclage en alternative à la demande de renvoi :

Le propriétaire de l'appareil électrique est obligé, en guise d'alternative à un envoi en retour, à contribuer à un recyclage effectué dans les règles de l'art en cas de cessation de la propriété. L'ancien appareil peut être remis à un point de collecte dans ce but. Cet organisme devra l'éliminer dans le sens de la Loi sur le cycle des matières et les déchets. Ne sont pas concernés les accessoires et ressources fournies sans composants électroniques.

① Solo per paesi membri dell'UE

Non gettate gli utensili elettrici nei rifiuti domestici.

Secondo la Direttiva europea 2002/96/CE sui rifiuti di apparecchiature elettriche ed elettroniche e l'applicazione nel diritto nazionale gli elettrodomestici usati devono venire raccolti separatamente e smaltiti in modo ecologico.

Alternativa di riciclaggio alla richiesta di restituzione

Il proprietario dell'apparecchio elettrico è tenuto in alternativa, invece della restituzione, a collaborare in modo che lo smaltimento venga eseguito correttamente in caso ceda l'apparecchio. L'apparecchio vecchio può anche venire consegnato ad un centro di raccolta che provvede poi allo smaltimento secondo le norme nazionali sul riciclaggio e sui rifiuti. Non ne sono interessati gli accessori e i mezzi ausiliari senza elementi elettrici forniti insieme ai vecchi apparecchi.

Ⓚ Gælder kun EU-lande

Ⓝ

Smid ikke el-værktøj ud som almindeligt husholdningsaffald.

I henhold til EF-direktiv 2002/96 om elektroaffald og dets omsættelse til national lovgivning skal brugt el-værktøj indsamles adskilt og indleveres på genbrugsstation.

Recycling-alternativ til tilbagesendelse af brugt vare:

Ejeren af det elektroniske apparat er forpligtet til – som et alternativ i stedet for tilbagesendelse – at medvirke til, at relevante dele af apparatet genanvendes ifølge miljøforskrifterne i tilfælde af overdragelse af ejerskab til tredjemand. Det brugte apparat kan også overdrages til et deponeringssted, som vil varetage bortskaffelsen af apparatets dele i overensstemmelse med nationale bestemmelser vedrørende skrotning og genbrug. Ikke omfattet heraf er tilbehørsdele og hjælpemidler, som ikke indeholder elektroniske komponenter.

Ⓜ Csak EU-országok

Ne dobja az elektromos szerszámokat a házi hulladék közé.

A villamos készülékekkel és elektromos-öregkészülékekkel kapcsolatos 2002/96/EG-i európai irányvonalaknak valamint ezeknek a nemzeti jogban történő realizálásának megfelelően az elhasznált villamos szerszámokat külön kell gyűjteni és egy környezetbaráti újraértékesítéshez juttatni.

Újrahasznosítás-alternatíva a visszaküldési felhíváshoz:

Az elektromos készülék tulajdonosa kötelezve van, a tulajdon feladása esetében, a visszaküldés helyett alternatív egy szakszerű értékesítésre. Ehhez az öreg készüléket egy visszavevő helynek lehet átengedni, amely a nemzetközi iparkörfolyamat és hulladéktörvény értelmében elvégzi a megsemmisítést. Ez nem érinti az öreg készülékekhez mellékelt villamosalkatrészek nélküli tartozékrészeket és segítőeszközöket.

Ⓟ Samo za zemlje Europske zajednice

Ⓜ

Elektroalate ne bacajte u kućno smeće.

U skladu s europskom odredbom 2002/96/EG o starim električnim i elektroničkim uređajima i njezinom primjenom u okviru državnog prava, istrošeni elektroalati moraju se odvojeno sakupiti i zbrinuti na ekološki način u svrhu recikliranja.

Alternativa s recikliranjem u odnosu na zahtjev za povrat uređaja:

Vlasnik elektrouređaja alternativno je obvezan da umjesto povrata robe u slučaju odricanja vlasništva sudjeluje u stručnom zbrinjavanju elektrouređaja. Stari uređaj može se u tu svrhu prepustiti i stanici za preuzimanje rabljenih uređaja koja će provesti uklanjanje u smislu državnog zakona o recikliranju i otpadu. Zakonom nisu obuhvaćeni dijelovi pribora ugrađeni u stare uređaje i pomoćni materijali bez električnih elemenata.

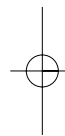
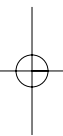
Ⓡ Samo za zemlje EU

Ne bacajte elektro-alate u kućno smeće!

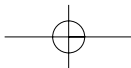
Shodno evropskoj smernici 2002/96/EG o starim električnim i elektronskim uređajima i primeni državnog prava, istrošeni elektro-alati mora da se odvojeno sakupe i eliminišu na ekološki primeren način u stanici za recikliranje.

Alternativa recikliranju prema zahtevima za povrat uređaja:

Vlasnik elektro-uređaja alternativno je obavezan da umesto povrata robe u slučaju predaje vlasništva učestvuje u stručnom eliminisanju elektro-uređaja. Stari uređaj može da se u tu svrhu prepusti i stanici za preuzimanje rabljenih uređaja koja će provesti odstranjivanje u smislu državnog zakona o reciklaži i otpadu. Zakonom nisu obuhvaćeni delovi pribora ugradjeni u stare uređaje i pomoćni materijali bez električnih elemenata.



- Ⓒ Technische Änderungen vorbehalten
- Ⓒ Technical changes subject to change
- Ⓒ Sous réserve de modifications
- Ⓒ Con riserva di apportare modifiche tecniche
- Ⓒ Der tages forbehold for tekniske ændringer
- Ⓒ Technikai változások jogát fenntartva
- Ⓒ Zadržavamo pravo na tehnične izmjene.
- Ⓒ Zadržavamo pravo na tehničke promene



ⓓ

Der Nachdruck oder sonstige Vervielfältigung von Dokumentation und Begleitpapieren der Produkte, auch auszugsweise ist nur mit ausdrücklicher Zustimmung der ISC GmbH zulässig.

Ⓒ

The reprinting or reproduction by any other means, in whole or in part, of documentation and papers accompanying products is permitted only with the express consent of ISC GmbH.

Ⓔ

La réimpression ou une autre reproduction de la documentation et des documents d'accompagnement des produits, même incomplète, n'est autorisée qu'avec l'agrément exprès de l'entreprise ISC GmbH.

Ⓛ

La ristampa o l'ulteriore riproduzione, anche parziale, della documentazione o dei documenti d'accompagnamento dei prodotti è consentita solo con l'esplicita autorizzazione da parte della ISC GmbH.

Ⓓ/Ⓝ

Eftertryk eller anden form for mangfoldiggørelse af skriftligt materiale, ledsagepapirer indbefattet, som omhandler produkter, er kun tilladt efter udtrykkelig tilladelse fra ISC GmbH.

Ⓗ

Az termékek dokumentációjának és kísérő okmányainak az utánnomása és sokszorosítása, kivonatossan is csak az ISC GmbH kifejezett beleegyezésével engedélyezett.

Ⓜ/Ⓢ

Naknadno tiskanje ili slična umnožavanja dokumentacije i pratećih papira ovih proizvoda, čak i djelomično kopiranje, moguće je samo uz izričito dopuštenje tvrtke ISC GmbH.

Ⓡ

Potpuno ili delimično štampanje ili umnožavanje dokumentacije i službenih papira koji su priloženi proizvodu dozvoljeno je samo uz izričitu saglasnost firme ISC GmbH.

GUARANTEE CERTIFICATE

Dear Customer,

All of our products undergo strict quality checks to ensure that they reach you in perfect condition. In the unlikely event that your device develops a fault, please contact our service department at the address shown on this guarantee card. Of course, if you would prefer to call us then we are also happy to offer our assistance under the service number printed below. Please note the following terms under which guarantee claims can be made:

1. These guarantee terms cover additional guarantee rights and do not affect your statutory warranty rights. We do not charge you for this guarantee.
2. Our guarantee only covers problems caused by material or manufacturing defects, and it is restricted to the rectification of these defects or replacement of the device. Please note that our devices have not been designed for use in commercial, trade or industrial applications. Consequently, the guarantee is invalidated if the equipment is used in commercial, trade or industrial applications or for other equivalent activities. The following are also excluded from our guarantee: compensation for transport damage, damage caused by failure to comply with the installation/assembly instructions or damage caused by unprofessional installation, failure to comply with the operating instructions (e.g. connection to the wrong mains voltage or current type), misuse or inappropriate use (such as overloading of the device or use of non-approved tools or accessories), failure to comply with the maintenance and safety regulations, ingress of foreign bodies into the device (e.g. sand, stones or dust), effects of force or external influences (e.g. damage caused by the device being dropped) and normal wear resulting from proper operation of the device.

The guarantee is rendered null and void if any attempt is made to tamper with the device.

3. The guarantee is valid for a period of 2 years starting from the purchase date of the device. Guarantee claims should be submitted before the end of the guarantee period within two weeks of the defect being noticed. No guarantee claims will be accepted after the end of the guarantee period. The original guarantee period remains applicable to the device even if repairs are carried out or parts are replaced. In such cases, the work performed or parts fitted will not result in an extension of the guarantee period, and no new guarantee will become active for the work performed or parts fitted. This also applies when an on-site service is used.
4. In order to assert your guarantee claim, please send your defective device postage-free to the address shown below. Please enclose either the original or a copy of your sales receipt or another dated proof of purchase. Please keep your sales receipt in a safe place, as it is your proof of purchase. It would help us if you could describe the nature of the problem in as much detail as possible. If the defect is covered by our guarantee then your device will either be repaired immediately and returned to you, or we will send you a new device.

Of course, we are also happy offer a chargeable repair service for any defects which are not covered by the scope of this guarantee or for units which are no longer covered. To take advantage of this service, please send the device to our service address.