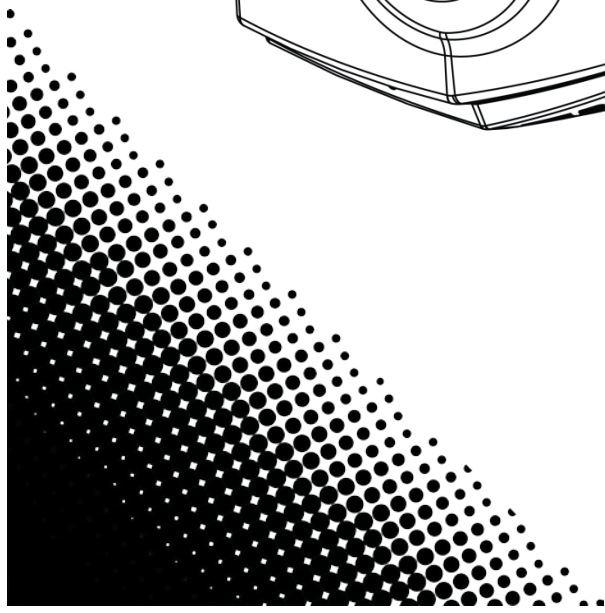
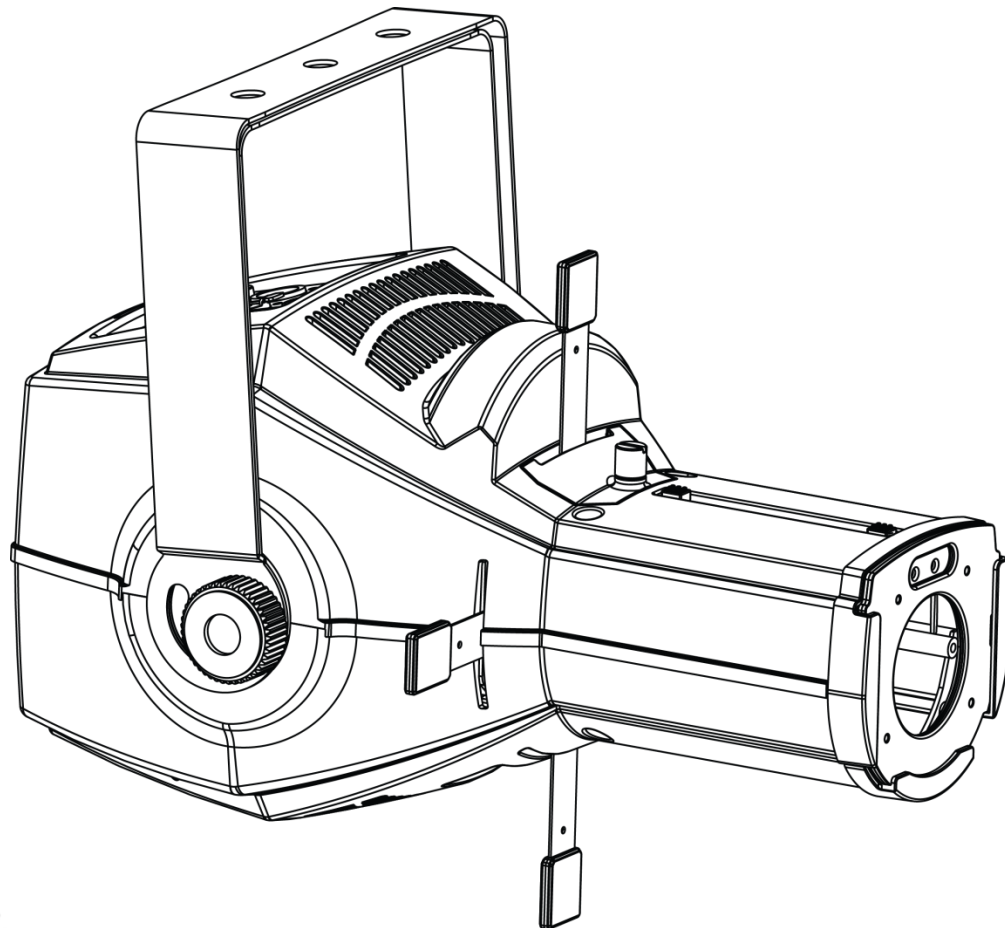


# LFS-75DMX

User Manual



  
**CHAUVET®**  
It's **Green** Thinking.

---

# TABLE OF CONTENTS

<b>1. Before You Begin .....</b>	<b>3</b>
What Is Included .....	3
Unpacking Instructions .....	3
Claims .....	3
Text Conventions .....	3
Symbols .....	3
Disclaimer .....	3
Product at a Glance .....	4
Safety Notes .....	4
<b>2. Introduction .....</b>	<b>5</b>
Overview .....	5
Overview (cont.) .....	6
Dimensions .....	7
<b>3. Setup .....</b>	<b>8</b>
AC Power .....	8
Fuse Replacement .....	8
Power Linking .....	9
Mounting .....	10
Orientation .....	10
Rigging .....	10
<b>4. Operation .....</b>	<b>11</b>
Control Panel Operation .....	11
Menu Map .....	11
Configuration (DMX) .....	11
Starting Address .....	11
DMX Channel Modes, Assignments, and Values .....	12
4-Channel .....	12
LFS-75DMX Color Wheel .....	12
Configuration (Standalone) .....	13
Manual Mode .....	13
Display Orientation .....	13
Temperature Display .....	13
Reset Software .....	13
Load Factory Defaults .....	13
Included Gobos .....	14
Changing Gobos .....	14
<b>5. Technical Information .....</b>	<b>15</b>
Product Maintenance .....	15
<b>6. Technical Specifications .....</b>	<b>16</b>
Returns .....	17
Contact Us .....	17

# 1. BEFORE YOU BEGIN

## What Is Included

- LFS-75DMX
- Power cord
- 4 metal gobos
- 4 framing shutters
- Warranty card
- Quick Reference Guide

## Unpacking Instructions

Carefully unpack the product immediately and check the container to make sure all the parts are in the package and are in good condition.

## Claims




If the box or the contents (the product and included accessories) appear damaged from shipping, or show signs of mishandling, notify the carrier immediately, not CHAUVET®. Failure to report damage to the carrier immediately may invalidate your claim. In addition, keep the box and contents for inspection.

For other issues, such as missing components or parts, damage not related to shipping, or concealed damage, file a claim with CHAUVET® within 7 days of delivery.

## Text Conventions

Convention	Meaning
1—512	A range of values
50/60	A set of values of which only one can be chosen
<b>Settings</b>	A menu option not to be modified
<b>Menu &gt; Settings</b>	A sequence of menu options to be followed
<b>&lt;ENTER&gt;</b>	A key to be pressed on the product's control panel
<b>ON</b>	A value to be entered or selected

## Symbols

Symbol	Meaning
	Critical installation, configuration, or operation information. Not following these instructions may make the product not work, cause damage to the product, or cause harm to the operator.
	Important installation or configuration information. The product may not function correctly if this information is not used.
	Useful information.

## Disclaimer

The information and specifications contained in this User Manual are subject to change without notice. CHAUVET® assumes no responsibility or liability for any errors or omissions, and reserves the right to revise or recreate this manual at any time. Download the latest version from [www.chauvetlighting.com](http://www.chauvetlighting.com).

© Copyright 2013 CHAUVET®. All rights reserved.

Electronically published by CHAUVET® in the United States of America.

Author	Date	Editor	Date
A. Leon	08/08/13	T. Yeago	08/08/13

## Product at a Glance

Use on Dimmer	X	Auto Programs	P
Outdoor Use	X	Switchable voltage (120 V/230 V)	P
Sound-Activated	X	Replaceable Fuse	P
DMX	P	User-Serviceable	X
Master/Slave	P		

## Safety Notes

These notes include important information about the mounting, usage, and maintenance of this product; read before using the product.



- Always connect the product to a grounded circuit to avoid the risk of electrocution.
- Always disconnect the product from the power source before cleaning or replacing the fuse.
- Avoid direct eye exposure to the light source while the product is on.
- Make sure the power cord is not crimped or damaged.
- Never disconnect the product from power by pulling or tugging on the cord.
- If mounting the product overhead, always secure to a fastening device using a safety cable.
- Make sure there are no flammable materials close to the product when operating.
- Do not touch the product's housing when operating because it may be very hot.



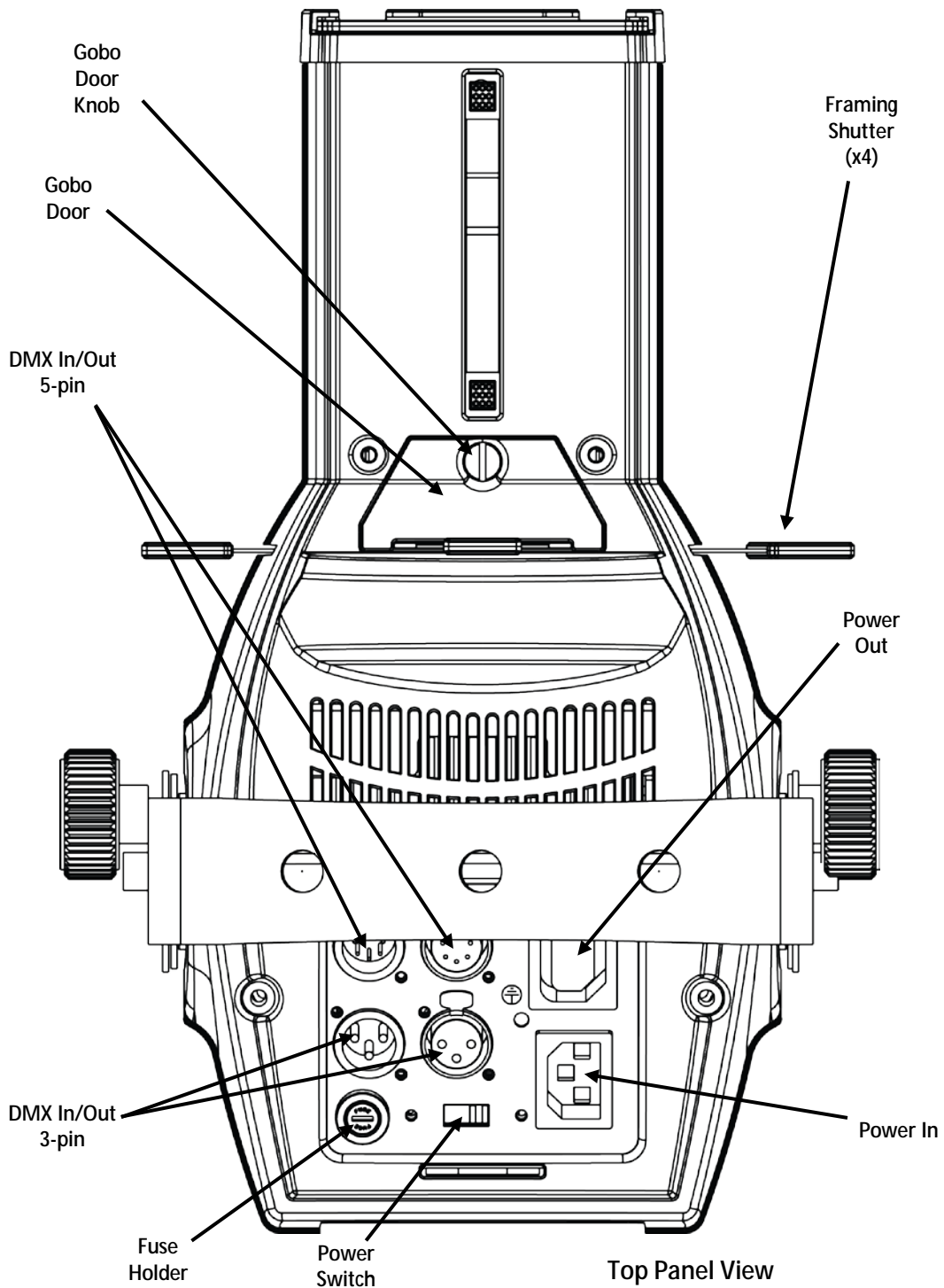
- Always make sure that the voltage of the outlet to which you are connecting the product is within the range stated on the decal or rear panel of the product.
- The product is for indoor use only! (IP20) To prevent risk of fire or shock, do not expose the product to rain or moisture.
- Always install the product in a location with adequate ventilation, at least 20 in (50 cm) from adjacent surfaces.
- Be sure that no ventilation slots on the product's housing are blocked.
- Never connect the product to a dimmer.
- Make sure to replace the fuse with another of the same type and rating.
- Never carry the product from the power cord or any moving part. Always use the hanging/mounting bracket.
- The maximum ambient temperature (Ta) is 104 °F (40 °C). Do not operate the product at higher temperatures.
- In the event of a serious operating problem, stop using the product immediately.
- Never try to repair the product. Repairs carried out by unskilled people can lead to damage or malfunction. Contact the nearest authorized technical assistance center.
- This product is not intended for permanent installation.



- Keep this User Manual for future use. If you sell the product to another user, be sure to give this document to the next owner.

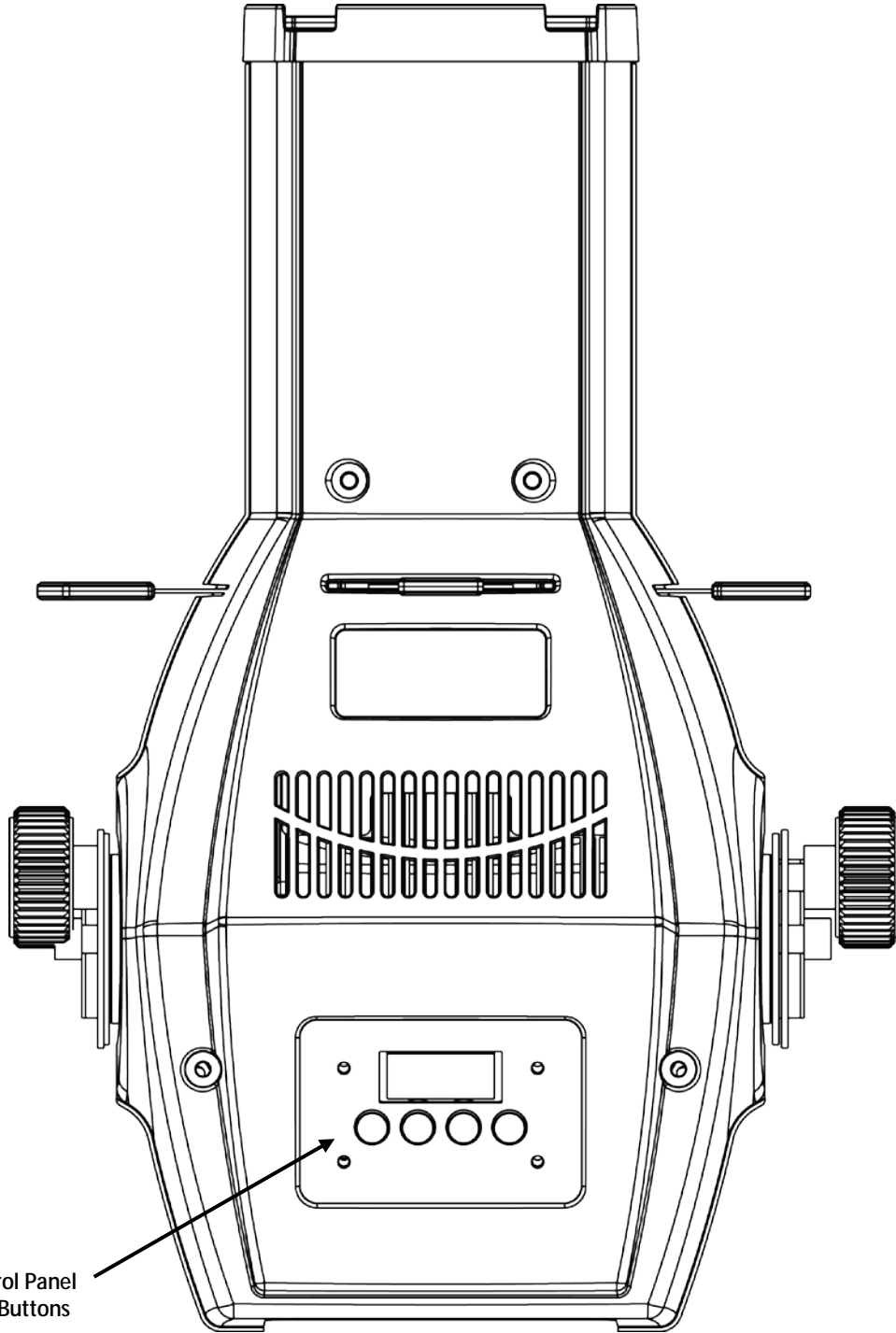
## 2. INTRODUCTION

### Overview



---

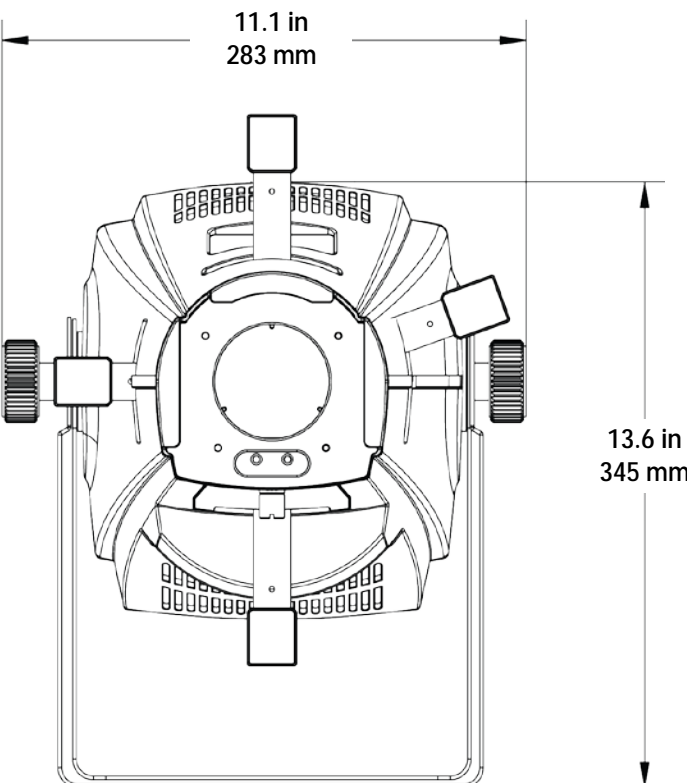
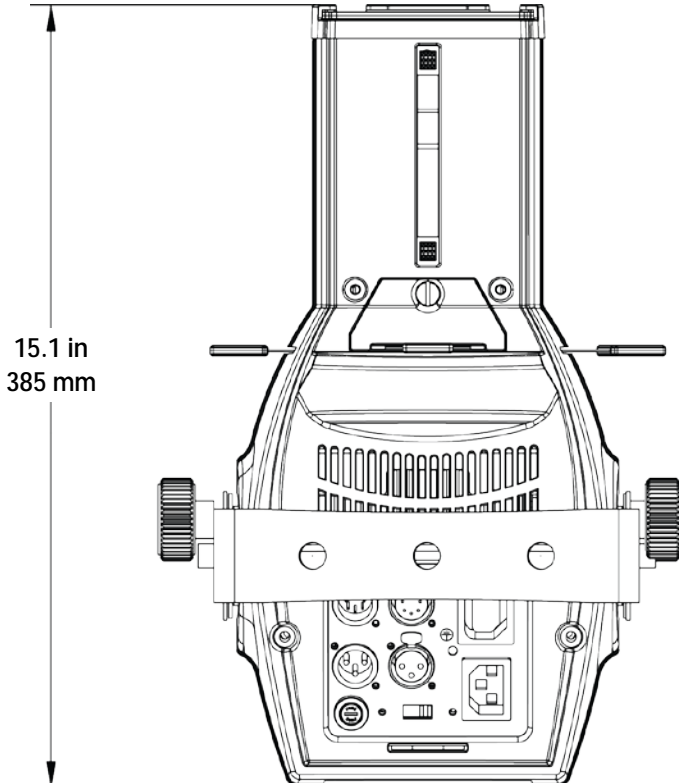
**Overview (cont.)**



Control Panel  
and Buttons

Bottom Panel View

# Dimensions



---

## 3. SETUP

**AC Power** The LFS-75DMX has a dual voltage power supply and it can work with an input voltage of either 120 V, 60 Hz or 230 V, 50 Hz, depending on the position of the voltage selection switch.

To determine the product's power requirements (circuit breaker, power outlet, and wiring), use the current value listed on the label affixed to the product's back panel, or refer to the product's specifications chart. The listed current rating indicates the product's average current draw under normal conditions.



**Always connect the product to a protected circuit (circuit breaker or fuse). Make sure the product has an appropriate electrical ground to avoid the risk of electrocution or fire.**



**Never connect the product to a rheostat (variable resistor) or dimmer circuit, even if the rheostat or dimmer channel serves only as a 0—100% switch.**

### Fuse Replacement



**Disconnect the product from power before replacing the fuse.**

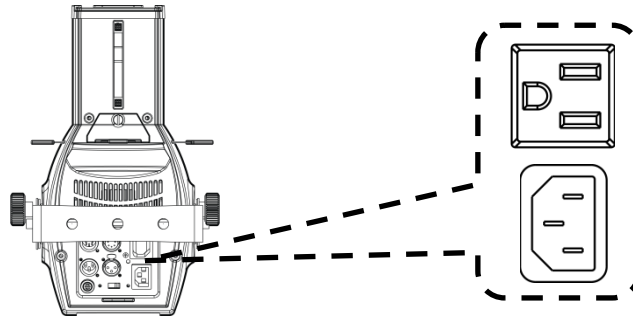
1. Disconnect the product from power.
2. With a flat-head screwdriver, unscrew the fuse holder cap from the housing.
3. Remove the blown fuse.
4. Replace with a fuse of the same type and rating.
5. Screw the fuse holder cap back in place and reconnect power.



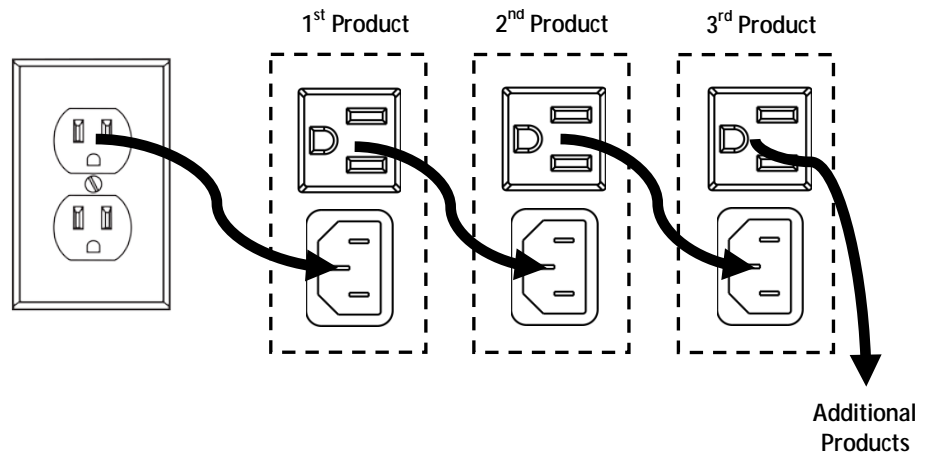
**Always replace a blown fuse with another of the same type and rating.**



**Power Linking** The product provides power linking via the Edison/IEC outlet located in the top of the unit.



**Power Linking Diagram**



You can power link up to 8 LFS-75DMX units on 120 VAC or up to 14 LFS-75DMX units on 230 VAC.



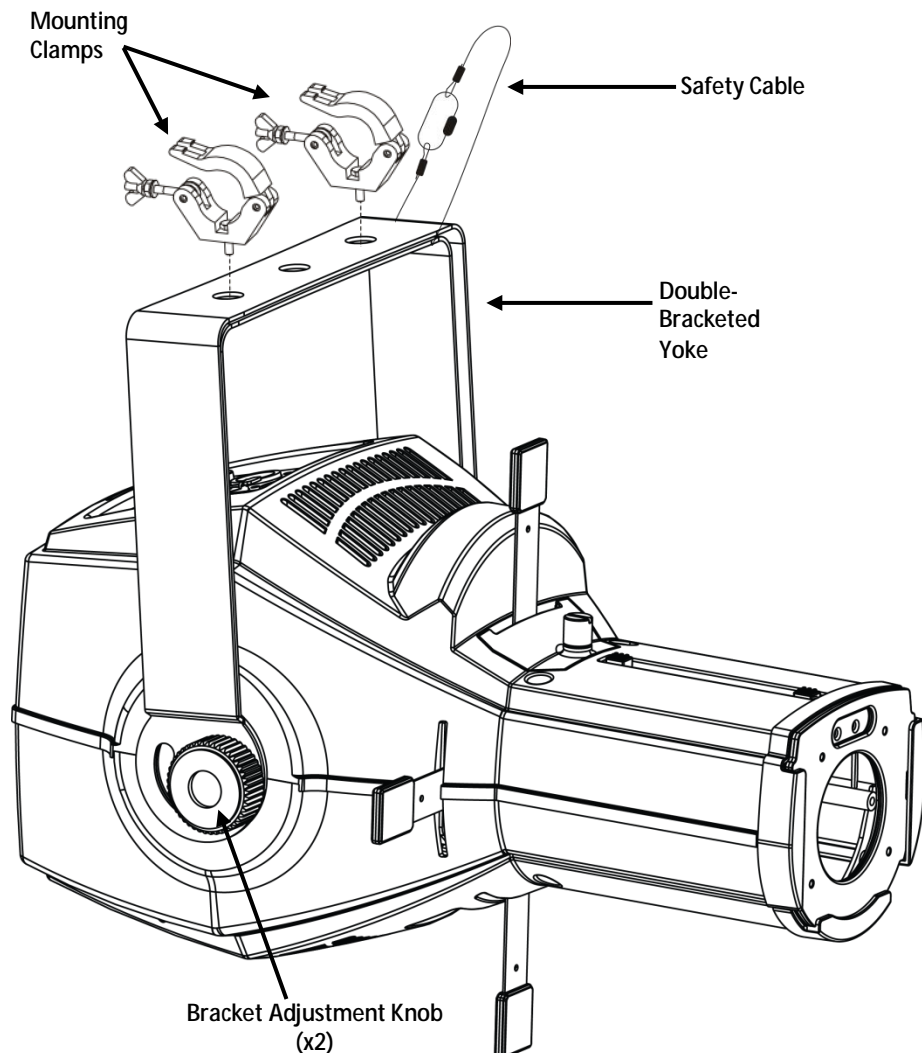
The power linking diagram shown above corresponds to the North American version of the product **ONLY!** If using the product in other markets, you must consult with the local CHAUVET® distributor as power linking connectors and requirements may differ in your country or region.

**Mounting** Before mounting the product, read and follow the safety recommendations indicated in the Safety Notes.

**Orientation** The LFS-75DMX may be mounted in any position; however, make sure adequate ventilation is provided around the product.

- Rigging**
- Before deciding on a location, always make sure there is easy access to the product for maintenance and programming.
  - Make sure that the structure or surface onto which you are mounting the product can support the product's weight (see the [Technical Specifications](#)).
  - When mounting the product overhead, always use a safety cable. Mount the product securely to a rigging point, such as an elevated platform or a truss.
  - When rigging the product onto a truss, you should use a mounting clamp of appropriate weight capacity. The bracket has 13-mm holes, which is appropriate for this purpose.
  - When power linking multiple products, you must always consider the length of the power linking cable and mount the products close enough for the cable to reach.
  - The bracket adjustment knobs allow for directional adjustment when aiming the product to the desired angle. Only loosen or tighten the bracket knobs manually. Using tools could damage the knobs.
  - The double-bracketed yoke allows for surface mounting. When mounting the product on the floor, make sure that the product and cables are away from people and vehicles.

**Mounting Diagram**



## 4. OPERATION

### Control Panel Operation

To access the control panel functions, use the four buttons located underneath the display.

Button	Function
<MODE/ESC>	Selects an operation mode or backs out of the current menu option
<UP>	Scrolls up the list of options or selects a higher value
<DOWN>	Scrolls down the list of options or selects a lower value
<ENTER>	Activates a menu option or a selected value

### Menu Map

Main Level	Programming Levels		Description
<b>DMX Address</b>	<b>d001—d512</b>		Selects the DMX starting address
<b>Manual Mode</b>	<b>MAN</b>	<b>CoLr</b> <b>Co00—Co17</b>	Color wheel
		<b>CoSP</b> <b>CP00—CP63</b>	Color scroll speed (when CoLr is set to Co16 or Co17)
		<b>dimm</b> <b>L000—L255</b>	Dimmer (0—100%)
		<b>SHUt</b> <b>S000—S100</b>	Shutter speed (slow to fast)
<b>Display</b>	<b>diS</b>		Normal display
	<b>rdiS</b>		Inverted display
<b>Temperature</b>	<b>tC__</b>		Displays LED temperature in Celsius
<b>Reset</b>	<b>rEst</b>		Resets product
<b>Load</b>	<b>LoAd</b>		Loads factory defaults

### Configuration (DMX)

Set the product in DMX mode to control with a DMX controller.

1. Move the position of the voltage selection switch to the appropriate input voltage.
2. Connect the product to a suitable power outlet.
3. Connect a DMX cable from the DMX output of the DMX controller to the DMX input socket on the product.

### Starting Address

When selecting a starting DMX address, always consider the number of DMX channels the selected DMX mode uses. If you choose a starting address that is too high, you could restrict the access to some of the product's channels.

The LFS-75DMX uses up to 4 DMX channels in its 4-channel DMX mode, which defines the highest configurable address to **509**.

If unfamiliar with DMX, download the DMX Primer from [www.chauvetlighting.com](http://www.chauvetlighting.com).

To select the starting address, do the following:

1. Press <MODE/ESC> repeatedly until **d001—d512** shows on the display.
2. Press <ENTER>.
3. Use <UP> or <DOWN> to select the starting address.
4. Press <ENTER>.

## DMX Channel Modes, Assignments, and Values

4-Channel	Channel	Function	Value	Setting
	1	Dimmer	000 ∘ 255	0 to 100%
	2	Strobe	000 ∘ 003 004 ∘ 007 008 ∘ 215 216 ∘ 255	Light off Light on Strobe (slow to fast) Light on
	3	Fan Speed	000 ∘ 001 002 ∘ 255	Automatic Manual (slow to fast)
	4	Color Wheel	000 ∘ 006 007 ∘ 013 014 ∘ 020 021 ∘ 027 028 ∘ 034 035 ∘ 041 042 ∘ 048 049 ∘ 055 056 ∘ 063 064 ∘ 070 071 ∘ 077 078 ∘ 084 085 ∘ 091 092 ∘ 098 099 ∘ 105 106 ∘ 112 113 ∘ 119 120 ∘ 127 128 ∘ 191 192 ∘ 255	White Yellow Pink Green Red Light Blue Kelly Orange Red Dark Blue White + Yellow Yellow + Pink Pink + Green Green + Red Red + Light Blue Light Blue + Kelly Kelly + Orange Red Orange Red + Dark Blue Dark Blue + White Rainbow effect with increasing speed Reverse rainbow effect with increasing speed

### LFS-75DMX Color Wheel



---

## Configuration (Standalone)

Set the product in the standalone Manual mode to control without a DMX controller.

- Connect the product to a suitable power outlet.



**Never connect a product that is operating in a standalone mode to a DMX string connected to a DMX controller. Products in standalone mode may transmit DMX signals that could interfere with the DMX signals from the controller.**

### Manual Mode

To enable the Manual mode, do the following:

1. Press **<MODE/ESC>** repeatedly until **MAN** shows on the display.
2. Press **<ENTER>** and **CoLr**, **CoSP**, **dimM**, or **SHut** shows on the display.
3. Use **<UP>** or **<DOWN>** to select the desired option as follows.

To select a color from the color wheel options:

1. Select **CoLr** and press **<ENTER>**.
2. Use **<UP>** or **<DOWN>** to select **Co00—Co17**.
3. Press **<ENTER>**.

When **CoLr** is set to **Co16** or **Co17**, select the color wheel scroll speed as follows:

1. Select **CoSP** and press **<ENTER>**.
2. Use **<UP>** or **<DOWN>** to select **CP00—CP63**.
3. Press **<ENTER>**.

For dimmer control:

1. Select **dimM** and press **<ENTER>**.
2. Use **<UP>** or **<DOWN>** to select **L000—L255** (0—100%).
3. Press **<ENTER>**.

To select the shutter speed:

1. Select **SHUt** and press **<ENTER>**.
2. Use **<UP>** or **<DOWN>** to select **S000—S100**.
3. Press **<ENTER>**.

### Display Orientation

You are able to flip the LED display for easy readability in any mounting situation.

To select your display angle:

1. Press **<MODE/ESC>** repeatedly until **diS** (normal) or **rdiS** (inverted) shows on the display.
2. Use **<UP>** or **<DOWN>** to select the desired orientation.
3. Press **<ENTER>**.

### Temperature Display

To view the LED's temperature, press **<MODE/ESC>** repeatedly until **tCXX** shows on the display. The temperature will be shown in degrees Celsius.

### Reset Software

To reset the software in the LFS-75DMX, do the following:

1. Press **<MODE/ESC>** repeatedly until **rESt** shows on the display.
2. Press **<ENTER>**.

### Load Factory Defaults

To load the factory default settings in the LFS-75DMX, follow the instructions below:

1. Press **<MODE/ESC>** and until **LoAd** shows on the display.
2. Press **<ENTER>**.

## Included Gobos

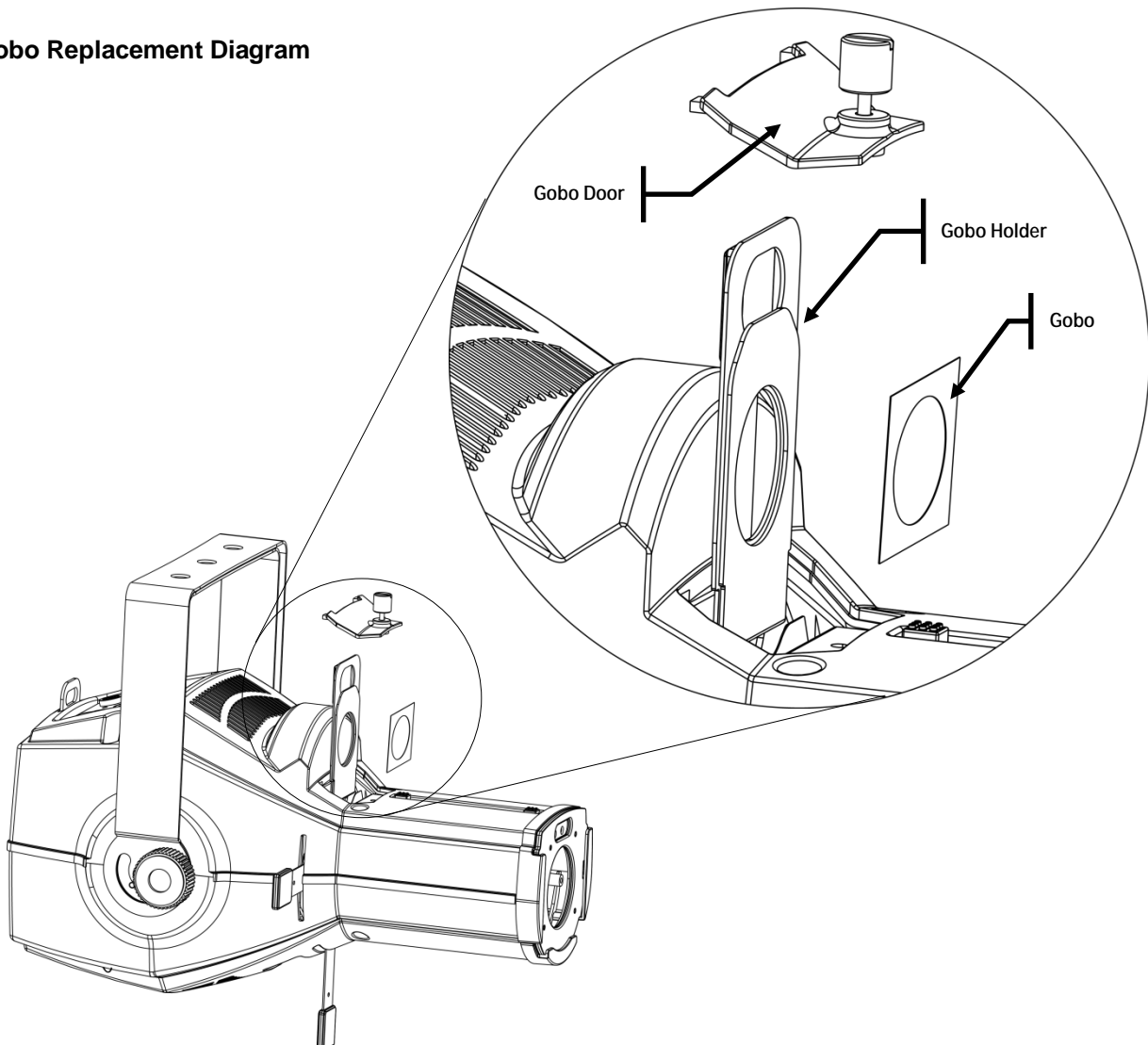


## Changing Gobos

To change the gobos in the LFS-75DMX, do the following:

1. Disconnect the product from power.
2. Place the product on a flat, level surface.
3. Loosen the gobo door thumbscrew and pull off the gobo door.
4. Pull up the gobo holder out of the product.
5. Remove the gobo from between the slats of the gobo holder.
6. Insert a new gobo between the slats of the gobo holder.
7. Push the gobo holder back down into place.
8. Replace the gobo door and tighten the gobo door thumbscrew.

## Gobo Replacement Diagram



---

## 5. TECHNICAL INFORMATION

### **Product Maintenance**

Dust build-up reduces light output performance and can cause overheating. This can lead to reduction of the light source's life and mechanical wear. To maintain optimum performance and minimize wear, clean the product at least twice a month. However, usage and environmental conditions contribute to increased cleaning frequency.

To clean the product, follow the instructions below:

- Unplug the product from power.
- Wait until the product is at room temperature.
- Use a vacuum (or dry compressed air) and a soft brush to remove dust collected on the external surface and vents.
- Clean all external optics and glass/transparent surfaces with a mild soap solution, ammonia-free glass cleaner, or isopropyl alcohol.
- Apply the solution directly to a soft, lint-free cotton cloth or a lens cleaning tissue.
- Softly wipe any dirt or grime to the outside edges of the external optics or glass/transparent surface.
- Gently polish the external optics and glass/transparent surfaces until they are free of haze and lint.



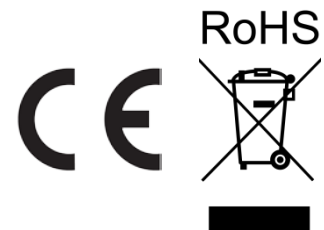
**Always dry the external optics and glass/transparent surfaces carefully after cleaning them.**



**Do not spin the cooling fan using compressed air because you could damage it.**

## 6. TECHNICAL SPECIFICATIONS

<b>Dimensions and Weight</b>	<b>Length</b>	<b>Width</b>	<b>Height</b>	<b>Weight</b>
	15.1 in (385 mm)	11.1 in (283 mm)	13.6 in (345 mm)	8 lb (3.7 kg)
<b>Note:</b> Dimensions in inches rounded to the nearest decimal digit.				
<b>Power</b>	<b>Power Supply Type</b>	<b>Range</b>	<b>Voltage Selection</b>	
	Switching (external)	120/230 V, 50/60 Hz	Switchable	
	<b>Parameter</b>	<b>120 V, 60 Hz</b>	<b>230 V, 50 Hz</b>	
	Consumption	198 W	206 W	
	Operating current	1.6 A	0.9 A	
<b>Light Source</b>	<b>Power I/O</b>	<b>US/Worldwide</b>	<b>UK/Europe</b>	
	Power input connector	IEC	IEC	
	Power output connector	Edison	IEC	
	Power Cord plug	Edison (US)	Local plug	
	<b>Type</b>	<b>Power</b>	<b>Lifespan</b>	
LED	75 W	50,000 hours		
<b>Photo Optic</b>	<b>Color</b>	<b>Quantity</b>	<b>Current</b>	
	White	1	16.9 A	
	<b>Parameter</b>			
	Illuminance @ 2 m	8710 lx		
	Zoom angle	14° to 22°		
<b>Thermal</b>	<b>Strobe rate</b>	0 to 20 Hz		
	<b>Gobo size</b>	40 mm outside 18 mm image 1 mm max thickness		
	<b>Maximum External Temp.</b>	<b>Cooling System</b>		
	104 °F (40 °C)	Fan-cooled		
	<b>DMX</b>	<b>I/O Connectors</b>	<b>Connector Type</b>	<b>Channel Range</b>
	3- and 5-pin XLR	Sockets	4	
<b>Ordering</b>	<b>Product Name</b>	<b>Item Code</b>	<b>UPC Number</b>	
	LFS-75DMX	08120673	781462210212	





---

To return a product or request support:

- In the U.S., contact CHAUVET® World Headquarters (see below).
- In the UK or Ireland, contact CHAUVET® Europe Ltd. (see below).
- In any other country, DO NOT contact CHAUVET®. Contact your distributor. See [www.chauvetlighting.com](http://www.chauvetlighting.com) for distributors outside the U.S., United Kingdom, or Ireland.



**If you live outside the U.S., United Kingdom, or Ireland, contact your distributor of record and follow their instructions on how to return CHAUVET® products to them. Visit our website for contact details.**

## Returns

Call the corresponding CHAUVET® Technical Support office and request a Return Merchandise Authorization (RMA) number before shipping the product. Be prepared to provide the model number, serial number, and a brief description of the cause for the return.

You must send the merchandise prepaid, in its original box, and with its original packing and accessories. CHAUVET® will not issue call tags.

Clearly label the package with the RMA number. CHAUVET® will refuse any product returned without an RMA number.



**Write the RMA number on a properly affixed label. DO NOT write the RMA number directly on the box.**

Before sending the product, clearly write the following information on a piece of paper and place it inside the box:

- Your name
- Your address
- Your phone number
- RMA number
- A brief description of the problem

Be sure to pack the product properly. Any shipping damage resulting from inadequate packaging will be your responsibility. FedEx packing or double-boxing are recommended.



**CHAUVET® reserves the right to use its own discretion to repair or replace returned product(s).**

## Contact Us

### World Headquarters CHAUVET®

#### General Information

Address: 5200 NW 108th Avenue  
Sunrise, FL 33351  
Voice: (954) 577-4455  
Fax: (954) 929-5560  
Toll free: (800) 762-1084

#### Technical Support

Voice: (954) 577-4455 (Press 4)  
Fax: (954) 756-8015  
Email: [tech@chauvetlighting.com](mailto:tech@chauvetlighting.com)

#### World Wide Web

[www.chauvetlighting.com](http://www.chauvetlighting.com)

### United Kingdom & Ireland CHAUVET® Europe Ltd.

#### General Information

Address: Unit 1C  
Brookhill Road Industrial Estate  
Pinxton, Nottingham, UK  
NG16 6NT  
Voice: +44 (0)1773 511115  
Fax: +44 (0)1773 511110

#### Technical Support

Email: [uktech@chauvetlighting.com](mailto:uktech@chauvetlighting.com)

#### World Wide Web

[www.chauvetlighting.co.uk](http://www.chauvetlighting.co.uk)