



## INSTALLATION INSTRUCTIONS

### MICROWAVE IN-A-DRAWER™

*For use with models:*

*MMDV30S*

*MMD30S*

*MMD30B*

GOEDEKER'S  
Trusted since 1951



# TABLE OF CONTENTS

Appliance Safety .....	1	Clearances and Dimensions.....	3
Installation Recommendations .....	1	Anti-Tip Block.....	4
Important Notes To The Installer .....	1	<b>Installation Instructions.....</b>	<b>5</b>
Important Notes To The Consumer .....	1	Verifying Package Contents.....	5
<b>Important Safety Instructions .....</b>	<b>2</b>	Electrical Outlet.....	5
Grounding Instructions.....	2	Drawer Installation .....	5
<b>Design Specifications .....</b>	<b>3</b>	<b>Before You Call For Service .....</b>	<b>5</b>
Drawer Measurements .....	3		

## APPLIANCE SAFETY

### Important Information About Safety Instructions

The Important Safety Instructions and warnings in this manual are not meant to cover all possible conditions and situations that can occur. Use common sense and caution when installing, maintaining or operating this or any other appliance.

Always contact the Dacor® Customer Service Team about problems or situations that you do not understand.

### Safety Symbols and Labels

#### **DANGER**

Immediate hazards that **WILL** result in severe personal injury or death.

#### **WARNING**

Hazards or unsafe practices that **COULD** result in severe personal injury or death.

#### **CAUTION**

Hazards or unsafe practices that **COULD** result in minor personal injury or property damage.

## INSTALLATION RECOMMENDATIONS

The importance of proper installation of your new appliance cannot be overemphasized. Installation should be done by a qualified installer.

Before you begin the installation process, read these Installation Instructions completely. There are important details that you need to observe during installation. Reading these instructions carefully, will make the installation process easier, problem-free and safe.

Direct any questions or problems with the installation to your Dacor dealer or the Dacor Customer Service Team at (800) 793-0093. Or you may email us at customerservice@Dacor.com. You can also visit our website at www.Dacor.com.

### IMPORTANT NOTES TO THE INSTALLER

- Read all of the Installation Instructions before installing the Microwave In-A-Drawer™.
- Remove all packing material before connecting the electrical supply.
- Observe all governing codes and ordinances.
- Leave these instructions with the consumer.

### IMPORTANT NOTES TO THE CONSUMER

Keep these instructions with your use and care manual for future reference.

- When using any microwave oven generating heat, there are certain safety precautions you should follow. These are listed in the use and care manual. Read the use and care manual and follow all safety precautions carefully.
- Be sure your Microwave In-A-Drawer™ is installed and grounded properly by a qualified installer or service technician.

For SAFETY CONSIDERATIONS do not install drawer in any combustible cabinetry, which is not in accord with the stated clearances and dimensions on pages 4 and 5. See **Figures 2 and 3**.

# IMPORTANT SAFETY INSTRUCTIONS

## ⚠️ WARNINGS

If the information in this manual is not followed exactly, a fire or electrical shock may result that could cause property damage, personal injury or death.

To reduce the risk of tipping, the Microwave In-A-Drawer™ must be secured by a properly installed Anti-Tip block.

- This drawer must be electrically grounded in accordance with local codes.
- Make sure the wall coverings and the cabinets around the drawer can withstand the heat generated by the microwave.

Never leave children alone or unattended in the area where a microwave is in use. Never leave the drawer open when the microwave is unattended.

Stepping, leaning or sitting on the drawer may result in serious injuries and can also cause damage to the Microwave In-A-Drawer™.

- Do not use the drawer as a storage space. This creates a potentially hazardous situation.
- Check that the time-of-day is in the display. If not, touch STOP/CLEAR to prevent unintended use.

## GROUNDING INSTRUCTIONS

This appliance must be grounded. The Microwave In-A-Drawer™ is equipped with a cord having a grounding wire with a grounding plug. It must be plugged into a wall receptacle that is properly installed and grounded in accordance with the National Electrical Code and local codes and ordinances. In the event of an electrical short circuit, grounding reduces risk of electric shock by providing an escape wire for the electric current.

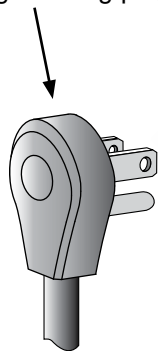
**Installer:** Leave these installation instructions with this appliance.

If you have any questions, call:

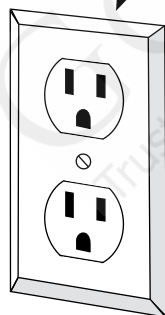
Dacor® Customer Service  
(800) 793-0093 (U.S.A. and Canada)  
Monday — Friday 6:00 AM to 5:00 pm Pacific Time  
website: [www.Dacor.com](http://www.Dacor.com)

Have the complete model and serial number for your microwave available. The numbers are found on the serial number plate, located on the faceplate behind the drawer front. Write these numbers below for reference.

Power supply cord with three-prong grounding plug



Grounding type wall receptacle (ground fault circuit not allowed)



## ⚠️ WARNING

Improper use of the grounding plug can result in a risk of electric shock.

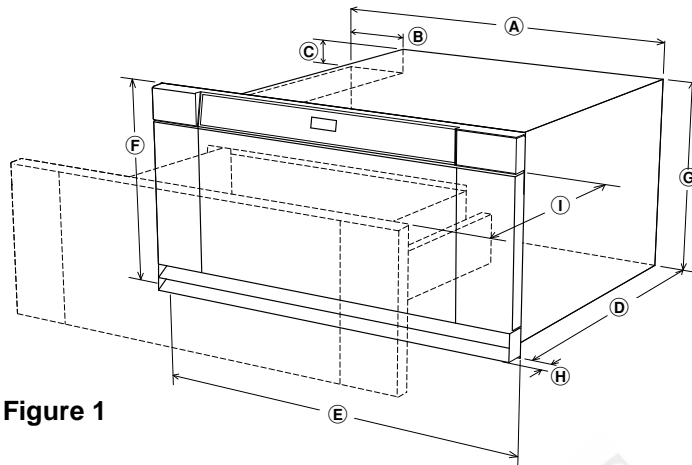
Model Number \_\_\_\_\_

Serial Number \_\_\_\_\_

Date of Purchase \_\_\_\_\_

# DESIGN SPECIFICATIONS

## DRAWER MEASUREMENTS

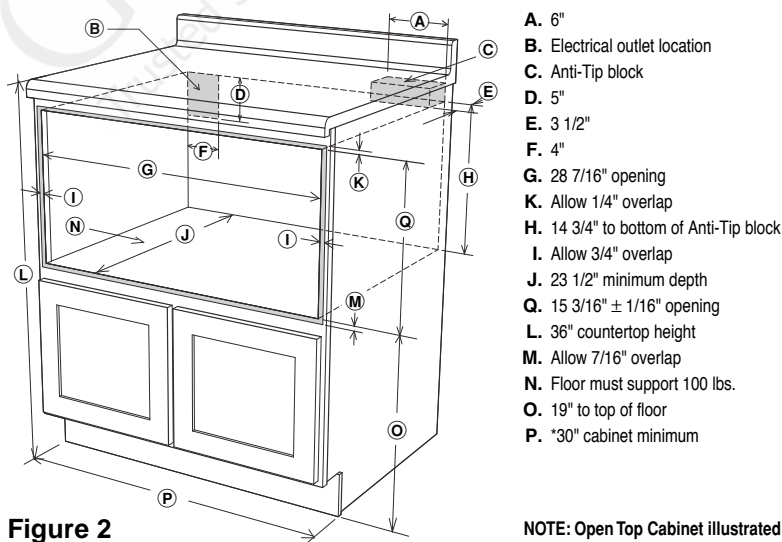


**Figure 1**

A. 28 1/8"	D. 23 3/8"	G. 15 1/16"
B. 4 11/16"	E. 30"	H. 1 1/4" door thickness
C. 2"	F. 15 5/8"	I. 13 5/8" auto drawer opening

## CLEARANCES AND DIMENSIONS

- Dimensions that are shown in **Figures 2 and 3** must be used. Given dimensions provide minimum clearance. Locate electrical outlet in the shaded area in the upper left-hand corner of the cutout.
- Contact surface must be solid and level. Pay special attention to the floor on which the drawer will sit. The floor of the opening should be constructed of plywood strong enough to support the weight of the oven (about 100 pounds).
- Check location where the drawer will be installed for proper electrical supply.
- Your oven can be built into a cabinet or wall by itself or under a specific electric wall oven.
- Be sure that the clearance of the floor between the wall oven and the drawer is a minimum of 2".
- For updates of approved appliances that can be used adjacent to the Microwave In-A-Drawer™ go to [www.Dacor.com](http://www.Dacor.com).



**Figure 2**

A. 6"
B. Electrical outlet location
C. Anti-Tip block
D. 5"
E. 3 1/2"
F. 4"
G. 28 7/16" opening
K. Allow 1/4" overlap
H. 14 3/4" to bottom of Anti-Tip block
I. Allow 3/4" overlap
J. 23 1/2" minimum depth
Q. 15 3/16" ± 1/16" opening
L. 36" countertop height
M. Allow 7/16" overlap
N. Floor must support 100 lbs.
O. 19" to top of floor
P. *30" cabinet minimum

NOTE: Open Top Cabinet illustrated

**Figures 2 and 3** contain many Microwave In-A-Drawer™ measurements for reference when planning the drawer's location.

# DESIGN SPECIFICATIONS

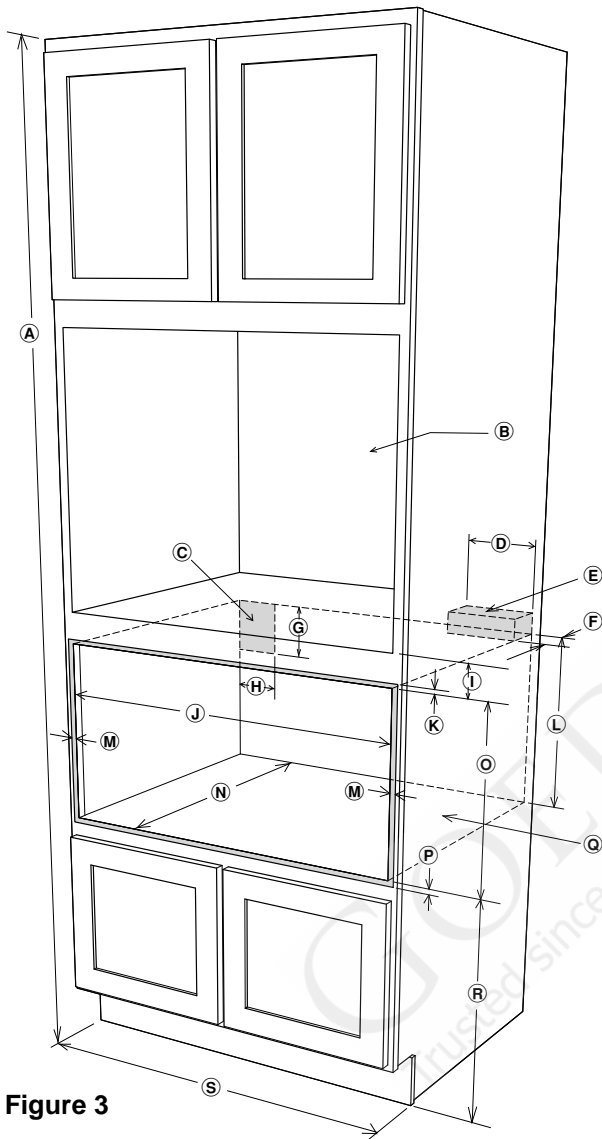
## ANTI-TIP BLOCK

### Normal Installation Steps

#### Anti-Tip BLOCK Installation Instructions

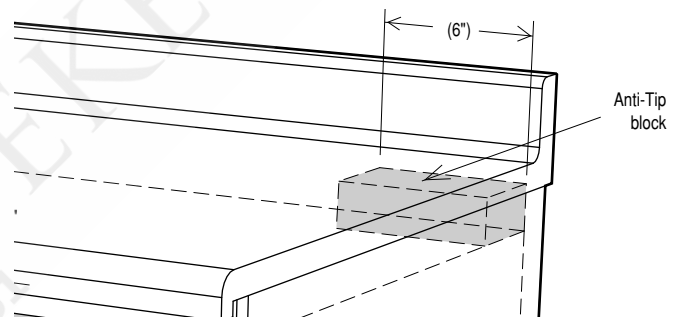
To reduce the risk of tipping of the drawer, the Anti-Tip block must be properly installed located 14 3/4" above the floor on which the Microwave In-A-Drawer™ will sit. The 6" Anti-Tip block must be provided by the installer. See Figures 2, 3 and 4. The Anti-Tip block prevents serious injury that might result from spilled hot liquids.

If the drawer is ever moved to a different location, the Anti-Tip block must also be moved and installed. When installed to the wall, make sure that the screws completely penetrate the dry wall and are secured in wood or metal so that the block is totally stable. When fastening, be sure that the screws do not penetrate electrical wiring or plumbing.



**Figure 3**

- |   |   |
|---|---|
| <b>A.</b> 84" wall cabinet                                | <b>J.</b> 28 7/16" opening                    |
| <b>B.</b> Optional wall oven cutout illustrated in sketch | <b>K.</b> Allow 1/4" overlap                  |
| <b>C.</b> Electrical outlet location                      | <b>L.</b> 14 3/4" to bottom of Anti-Tip block |
| <b>D.</b> 6"  | <b>M.</b> Allow 3/4" overlap                  |
| <b>E.</b> Anti-Tip block                                  | <b>N.</b> 23 1/2" minimum depth               |
| <b>F.</b> 3 1/2"  | <b>O.</b> 15 3/16" ± 1/16" opening            |
| <b>G.</b> 5"  | <b>P.</b> Allow 7/16" overlap                 |
| <b>H.</b> 4"  | <b>Q.</b> Floor must support 100 lbs.         |
| <b>I.</b> 2" minimum                                      | <b>R.</b> * 19" to top of floor (recommended) |
|   | <b>S.</b> 30" cabinet minimum                 |



**Figure 4**

# INSTALLATION INSTRUCTIONS

## VERIFYING PACKAGE CONTENTS

- Remove all packing materials from inside the drawer. **DO NOT REMOVE THE WAVEGUIDE COVER**, which is located on the top of the Microwave In-A-Drawer™.
- Remove the feature sticker, if there is one. Check the drawer for any damage, such as misaligned or bent drawer, damaged drawer seals and sealing surfaces, broken or loose drawer guides and dents inside the cavity or on the front side of the drawer. If there is any damage, do not operate the Microwave In-A-Drawer™ and contact your dealer or a DACOR AUTHORIZED SERVICER.

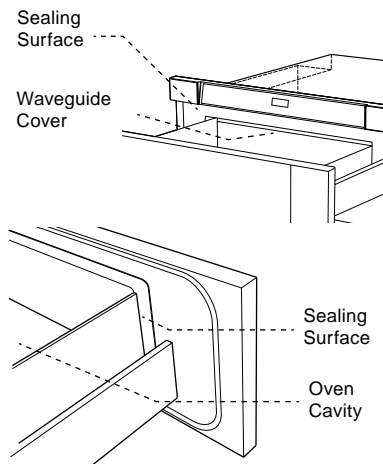


Figure 5

## ELECTRICAL OUTLET

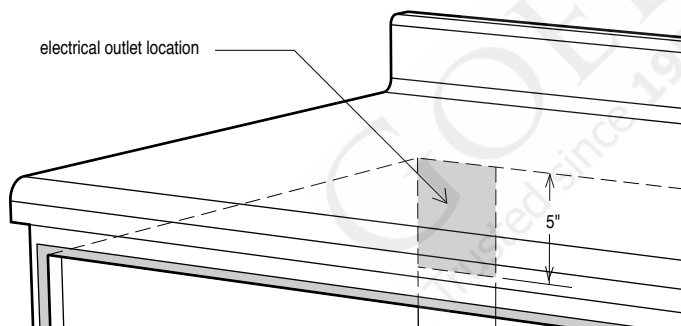


Figure 6

The electrical requirements are a 120 volt 60 Hz, AC only, 15 amp. or more protected electrical supply. It is recommended that a separate circuit serving only this appliance be provided.

The drawer is equipped with a 3-prong grounding plug. It must be plugged into a wall receptacle that is properly installed and grounded. Should you only have a 2-prong outlet, have a qualified electrician install a correct wall receptacle.

### NOTE:

If you have any questions about the grounding or electrical instructions, consult a qualified electrician or service person.

## DRAWER INSTALLATION

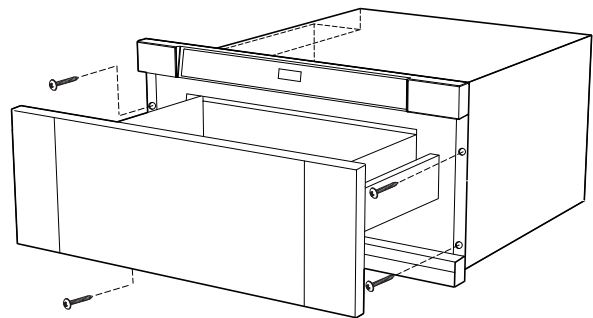


Figure 7A

1. Place the drawer adjacent to the wall or cabinet opening. Plug the power supply cord into the electrical outlet.
2. Carefully guide the drawer into the prepared opening. Avoid pinching the cord between the oven and the wall.
3. Slide the drawer all the way until the mounting flange is flush with the face of the cabinet.
4. Open the drawer. Using the 4 holes on the drawer as a template, predrill the cabinet using a 1/16" bit. See Figure 7A.
5. Secure the drawer with the 4 screws supplied. See Figure 7B.

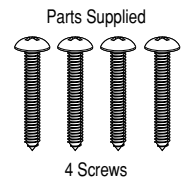


Figure 7B

## BEFORE YOU CALL FOR SERVICE

Read the BEFORE YOU CALL and operating instruction sections in your use and care manual. It may save you time and expense. The list includes common occurrences that are not the result of defective workmanship or materials in this range.

Refer to the warranty in your use and care manual for Dacor's toll-free service number and address. Please call or write if you have inquiries about your microwave product and/or need to order parts.

GOEDEKER'S  
Trusted since 1951

**Specifications contained within are subject to change without notice.**

**No liability is assumed by DACOR® for changes in specifications.**

The information and images in this book are the copyright property of Distinctive Appliances, Inc. Neither this book nor any information or images contained herein may be copied or used in whole or in part without the express written permission of Distinctive Appliances, Inc.