

CATEYE

VECTRA Wireless

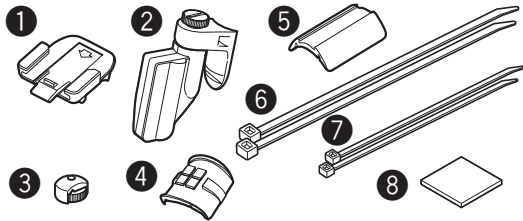
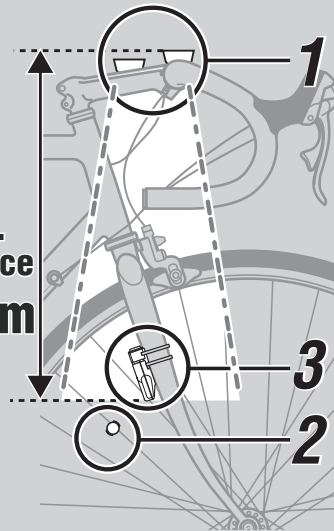
CYCLOCOMPUTER
CC - VT100W
Owner's Manual



U.S. Pat. Nos. 4633216/4636769/4642606/5236759 and Design Pat.-Pending
Copyright© 2005 CATEYE Co., Ltd.
CCVT1W-050615 [066600380] 3

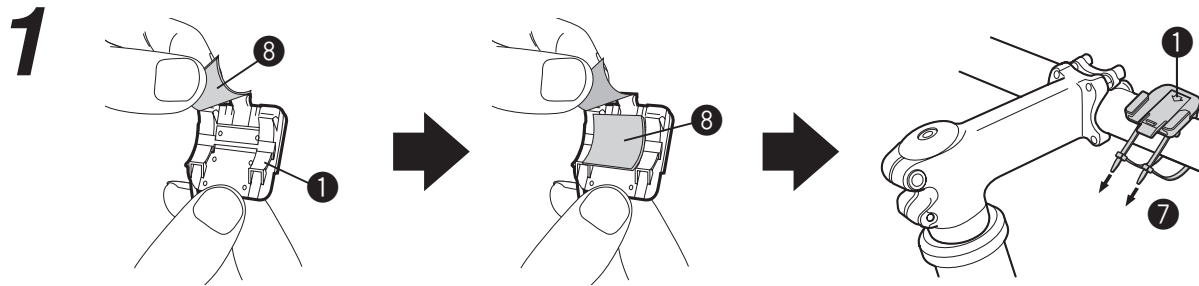


Max.
Distance
70 cm

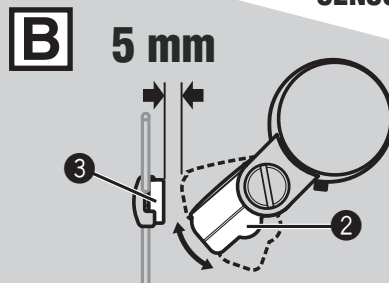
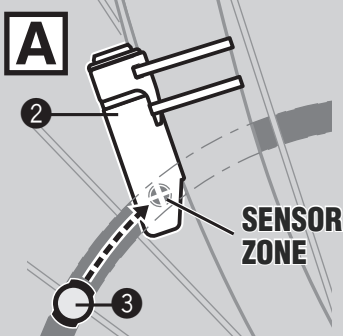
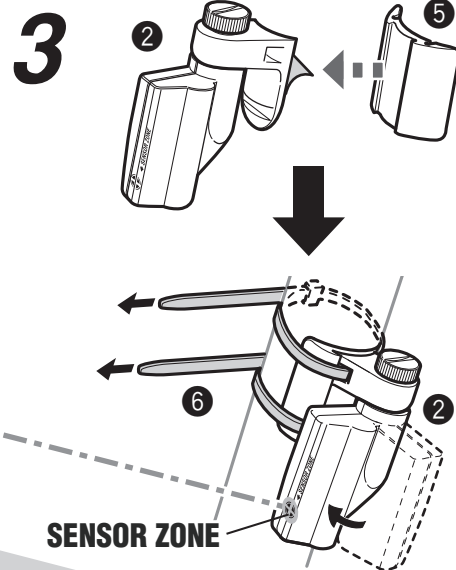
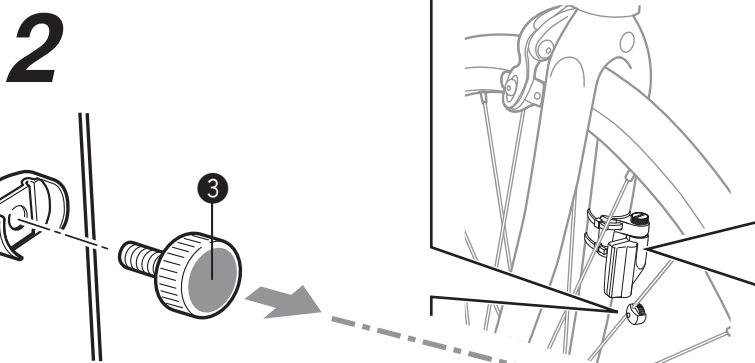


Component name

- 1 Bracket
- 2 Speed Sensor A
- 3 Magnet
- 4 Bracket Rubber Pad
- 5 Sensor Rubber Pad
- 6 Nylon Ties (L x2)
- 7 Nylon Ties (S x2)
- 8 Double-sided tape



or



ENG

VECTRA Wireless
CC-VT100W

SETTING

All Clear a

Select km/h or mph SET : km/h

Tire size	L (cm)
ETRTO	
14 x 1.50	102
14 x 1.75	106
16 x 1.50	119
47-305	
16 x 1.75	120
18 x 1.50	134
18 x 1.75	135
47-406	
20 x 1.75	152
20 x 1-3/8	162
22 x 1-3/8	177
22 x 1-1/2	179
24 x 1	175
24 x 3/4 Tubular	178
24 x 1-1/8	179
24 x 1-1/4	191
47-507	
24 x 1.75	189
24 x 2.00	192
24 x 2.125	196
26 x 7/8	192
23-571	
26 x 1(59)	191
26 x 1(65)	195
26 x 1.25	195
26 x 1-1/8	190
37-590	
26 x 1-3/8	207
26 x 1-1/2	210
26 x 1.40	200
40-559	
26 x 1.50	201
47-559	
26 x 1.75	202
50-559	
26 x 1.95	205
54-559	
26 x 2.00	206
26 x 2.10	207
57-559	
26 x 2.125	207
26 x 2.35	208
57-559	
26 x 3.00	217
27 x 1	215
27 x 1-1/8	216
32-630	
27 x 1-1/4	216
27 x 1-3/8	217
650 x 35A	209
650 x 38A	212
650 x 38B	211
18-622	
700 x 18C	207
700 x 19C	208
20-622	
700 x 20C	209
23-622	
700 x 23C	210
25-622	
700 x 25C	211
28-622	
700 x 28C	214
700 x 30C	217
32-622	
700 x 32C	216
700C Tubular	213
37-622	
700 x 35C	217
700 x 38C	218
40-522	
700 x 40C	220

ODO Manual Set SET : 10001.0 km

(00000.0 - 99999.9)

Wheel Circumference TIRE : 27x1-3/8 → SET : L = 217 cm

(100 - 299 cm)

OPERATION FLOW b

Current Speed
0.0 (4.0) - 105.9 km/h
[0.0 (3.0) - 65.9 mph]

Mx **RESET**
0.0(4.0)-105.9 km/h
[0.0(3.0)-65.9 mph]

Odo
0-9999.9
10000-99999 km[mile]

Dst **RESET**
0.00-999.99 km [mile]

Wheel Circumference
(100 - 299 cm)

RESET
MODE → Mx Dst → Q

BATTERY

COMPUTER

Close
Open
CR2032

All Clear a

SENSOR

Close
Open
CR2032

Clock Setting 24 hr [12 hr]

0 - 23 [1 - 12] 00 - 59

VECTRA Wireless

CC-VT100W



CAUTION

- Do not concentrate on the computer while riding. Be sure to ride safely!
- Install the magnet, sensor, and bracket securely. Check these periodically.
- Dispose of used batteries according to local regulations. If swallowed, consult a doctor immediately.
- Avoid having the computer in hot direct sunlight for extended periods.
- Do not disassemble the computer.
- Clean the computer and accessories with a soft cloth dampened with a neutral detergent. Do not use thinners, benzene, or alcohol on the computer.

Wireless Sensor

The sensor was designed to receive signals within a limited range to prevent sensor signal interference. Thus, the sensor and computer must be relatively close. If the temperature or battery power is low, they may need to be even closer than normal. The sensor must be installed at the top of the fork, and the distance between the sensor and the computer should not exceed approximately 70 cm. Install the computer on the stem, with its bottom surface facing the sensor. (Take into account the angle of the stem.)

Interference may occur, resulting in malfunction, if the computer is:

- Near a TV, PC, radio, motor, or in a car or train.
- Close to a railroad crossing, railway tracks, TV stations and or radar base.
- Close to a second bicycle with wireless sensors.

Correct installation of sensor and magnet

- A** Attach the magnet **B** so that it passes through the sensor zone of the sensor **C**.
- B** Be sure to have a 5 mm-or-less clearance between the sensor **C** and magnet **A**.

Part names

- A** Current Speed
- B** Sensor signal reception icon Flashes in sync with sensor signals.
- C** Speed unit **km/h mph**
- D** Mode symbol **D** Indicates the mode currently selected.
 - Mx** [Maximum Speed]
 - Odo** [Total Distance]
 - Dst** [Trip Distance]
 - Clock** [Clock]
- E** Battery Case Cover

Starting/Stopping measurement

This computer automatically starts measurement when the bicycle is moving.

Switching Mode symbol **D**

Press the MODE button to cycle through different functions, which are listed in the OPERATION FLOW chart.

Resetting data **D**

As shown in the OPERATION FLOW, press the MODE button to clear data when **RESET** appears on the screen. The trip distance cannot be reset.

Power-saving function

If the computer has not received a signal for 10 minutes, power-saving mode will activate and only the clock will be displayed. When the computer receives a sensor signal again, the measuring screen reappears. If the unit remains inactive for two weeks, the unit enters SLEEP mode. Press the MODE button to stop SLEEP mode.

Setting the clock **C**

With the **Clock** symbol displayed, press the SET button to set the clock.

Press the MODE button to move time forward. The value changes more rapidly if the button is pressed and held. Press the SET button to move from the "hour" to "minutes" digit. Press the SET button again to set the clock, and revert to the measuring screen.

* If the unit of speed is set to km/h, the 24-hour time system is activated. When set to mph, the 12-hour system applies.

Maintenance

To clean the computer or accessories, use diluted neutral detergent on a soft cloth, and then wipe it off with a dry cloth.

Troubleshooting

- No display.
 - Is battery in the computer run down? Replace it, and re-enter the correct information. (All Clear **A**).
- Incorrect data appears.
 - Do all clear operation. (All Clear **A**).
- The sensor signal icon does not flash. (The speed is not displayed.)
 - [If the signal icon does not flash, reduce the distance between the sensor and computer, adjust the position of the magnet, and spin the wheel again. If the icon now flashes, this indicates that the computer and sensor are too far apart or that the battery is low.]
 - Is the clearance between the sensor and magnet too great? Does the magnet pass through the sensor zone? Adjust the positions of the magnet and sensor.
 - Is the computer installed at the correct angle? Install the computer with its bottom surface facing the sensor.
 - Is the distance between the computer and sensor too great? Install the sensor closer to the computer.
 - Is the sensor battery weak? In cold weather, battery performance degrades. Replace it.
 - Is the computer's battery weak? Replace it with a new one. (All Clear **A**).

Replacing the Battery

- Computer**
 - If the display appears faded or sensor reception is poor, replace the battery. The Total Distance can be entered manually. Before removing the battery, note the current Total Distance. Install a new lithium battery (CR2032) with the (+) side facing upward. Then re-start the computer according to the SETTING procedure, and then set the clock. **C**
 - * When the batteries in either the main unit or sensor run down, please replace both the sensor and main unit batteries.
- Sensor**
 - If sensor reception is poor, replace the battery. Then check the positions of the battery and magnet.

Specification

- Battery Computer: Lithium Battery CR2032 X 1
Sensor: Lithium Battery CR2032 X 1
- Battery Life Computer: Approx. 1 year
(On the basis that the computer is used for 1 hour/day)
- Sensor: until Total Distance reaches about 10,000 km (6,250 mile)
- * This is the average figure of being used under 20°C temperature and the distance between the computer and the sensor is 65 cm.
- Controller 4-bit 1-chip microcomputer (crystal controlled oscillator)
- Display Liquid crystal display
- Sensor No contact magnetic sensor
- Wheel Circumference Range 100 cm - 299 cm
- Working Temperature 0°C - 40°C (32°F - 104°F)
- Dimension/Weight 40 x 55 x 21 mm [1-4/7" x 2-1/6" x 5/6"] / 30 g [1.06 oz]
- * The factory-loaded battery life might be shorter than the above-mentioned specification.
- * The specifications and design are subject to change without notice.

Standard Parts

- #169-6590**
Parts Kit
- #169-6580**
Speed Sensor A
- #169-6570**
Bracket kit
- #169-9691**
Wheel Magnet
- #166-5150**
Lithium Battery (CR2032)

Option Parts

- #169-6667**
Center Mount Kit
- #169-9760**
Magnet for Composite Wheel
- #169-9690**
Hi-Power Wheel Magnet

This device complies with Part 15 of the FCC Rules. Operation is subject to the following two conditions: (1) This device may not cause harmful interference, and (2) this device must accept any interference received, including interference that may cause undesired operation. **Modifications** The FCC requires the user to be notified that any changes or modifications made to this device that are not expressly approved by CatEye Co., Ltd. May void the user's authority to operate the equipment.

LIMITED WARRANTY - 2-Year Computer/Sensor only (Accessories/Attachments and Battery Consumption excluded)
If trouble occurs during normal use, the part of the Main Unit or sensor will be repaired or replaced free of charge. The service must be performed by CatEye Co., Ltd. To return the product, pack it carefully and remember to enclose the warranty certificate with instruction for repair. Please write or type your name and address clearly on the warranty certificate. Insurance, handling and transportation charges to our service shall be borne by person desiring service.

CATEYE CO., LTD.
2-8-25, Kuwazu, Higashi Sumiyoshi-ku, Osaka 546-0041 Japan
Attn: CATEYE Customer Service Section

Service & Research Address for USA
CATEYE Service and Research Center
1705 14th St. 115 Boulder, CO 80302
Phone: 303.443.4595
Toll Free: 800.5CATEYE
Fax: 303.473.0006
E-mail: service@cateye.com
URL: http://www.cateye.com