

Dual Digital Drive

COMBO 4816IA

User's Manual

**CLASS 1 LASER PRODUCT
APPAREIL A LASER DE CLASSE 1
LASER KLASSE 1
LUOKAN 1 LASERLAITE
PRODUIT LASER
CATEGORIE 1**

DANGER INVISIBLE LASER RADIATION WHEN OPEN AVOID DIRECT EXPOSURE TO BEAM
VORSICHT INSICHTBARE LASERSTRAHLUNG WENN ABDECKUNG GEÖFFNET NICHT DEM STRAHL AUSSETSEN
ATTENTION RADIATION DU FAISCEAU LASER INVISIBLE EN CAS D'OUVERTURE. EVITER TOUTE EXPOSITION AUX RAYONS.

Copyright Statement

It is a criminal offence, under applicable copyright laws, to make unauthorised copies of copyright-protected material, including computer programs, films, broadcasts and sound recordings. This equipment should not be used for such purposes.

FCC Compliance Statement

This device complies with Part 15 of the FCC Rules. Operation is subject to the following two conditions:

1. This device may not cause harmful interference, and
2. This device must accept any interference received, including interference that may cause undesired operation.

FCC Warning Statement

This equipment has been tested and found to comply with the limits for a Class B digital device, pursuant to Part 15 of the FCC Rules. These limits are designed to provide reasonable protection against harmful interference in a residential installation. This equipment generates, uses and can radiate radio frequency energy and, if not installed and used in accordance with the instructions, may cause harmful interference to radio communications. However, there is no guarantee that interference will not occur in a particular installation. If this equipment does cause harmful interference to radio or television reception, which can be determined by turning the equipment off and on, the user is encouraged to correct the interference by one or more of the following measures:

- Reorient or relocate the receiving antenna
- Increase the separation between the equipment and the receiver
- Connect the equipment into an outlet on a circuit different from that to which the receiver is connected
- Consult the dealer or an experienced radio/TV technician for help.

CAUTION

Any changes or modifications not expressly approved by the party responsible for compliance could void the user's authority to operate the equipment.

FOR EUROPE



“The drive is in conformity with the EMC directive and low-voltage directive.”

Table of Contents

<u>INTRODUCTION</u>	<u>1</u>
SYSTEM REQUIREMENTS	2
PACKAGE CONTENTS	2
<u>INSTALLATION</u>	<u>3</u>
HOST INTERFACE CONNECTIONS	3
HARDWARE INSTALLATION	4
DRIVER INSTALLATION	6
SOFTWARE INSTALLATION	9
DVD REGION CODE	11
<u>OPERATION & CONNECTION</u>	<u>13</u>
FRONT PANEL	13
REAR VIEW	15
<u>TECHNICAL DATA</u>	<u>17</u>

INTRODUCTION

Welcome to a multimedia world of CD-ReWritable technology, DVD-ROM capabilities and, memory card compatibility!

This compact and high-performance COMBO 4816IA frees up precious bay space and presents you as an IDE Combo (CD-RW+DVD ROM) Drive and a USB- connected card reader. It reads CDs of all types at maximum 48X speed, and DVD-ROMs at maximum 16X speed. For the writing ability, it writes to CD-Rs at up to 48X speed, and to CD-RWs at up to 24X speed.

Other than that, the built-in 7 in 1 card reader which offers read-write ability of 7 memory card types simplifies the process of exchanging data between Digital cameras, voice recorders, PDAs, MP3s... and your computer.

With this multi-functional solution and the bundled software package, you can view, archive, or write files/photos/video/music directly from the drive and enjoy the fascinating digital as well as the DVD entertainment on your desktop.

Here are some important features of this Combo Drive:

- ◆ Easy installation with Combo drive of IDE and card reader of USB 1.1 interface (on board connection)
- ◆ 8X, 16X, 24X, 32X, 40X and 48X writing speed on CD-R media
- ◆ 4X, 10X, 12X, 16X and 24X writing speed on CD-RW media
- ◆ Adopts "MTKSuperLink" to prevent Buffer Underrun
- ◆ Supports writing modes of TAO, DAO, SAO and packet writing
- ◆ Supports MultiRead function
- ◆ Four-slot integration works with CompactFlash, MicroDrive, Memory Stick, Memory Stick Pro, MultiMediaCard, Secure Digital, and SmartMedia

- ◆ Smooth DVD playback

System Requirements

For IBM compatible PCs, the system requirements recommended are as follows:

- ◆ Pentium II, Celeron 400MHz & above with at least 64MB of memory
- ◆ Fast and sufficient hard disk space (minimum 200MB for installation, 1GB or more is recommended.)
- ◆ IDE host interface supporting ATAPI MMC command & USB host interface (if you don't have USB on-board connection)
- ◆ Microsoft Windows 98SE/2000/ME/XP

Package Contents

The package contains the following items:

- ◆ Dual Digital Drive, COMBO 4816IA
- ◆ Audio cable
- ◆ 2 Application software discs
- ◆ 4pcs of screws/bag
- ◆ Quick Installation Guide

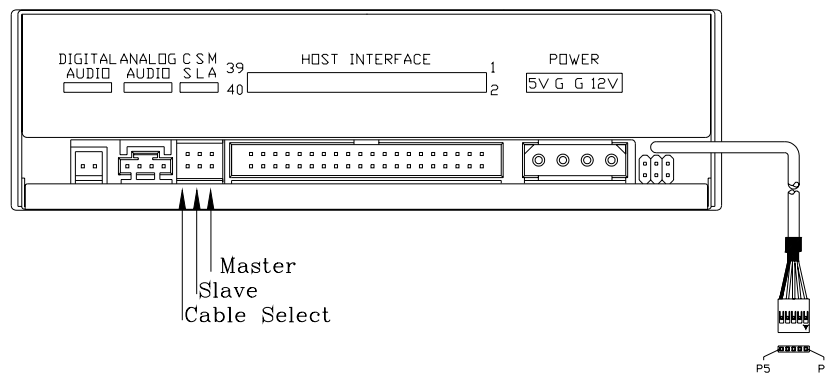
INSTALLATION

Host Interface Connections

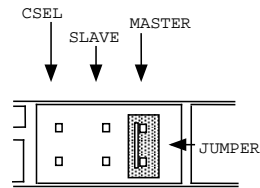
Most current mainboard models have two IDE ports (primary and secondary), which can connect two IDE cables. Two IDE cables allow you to connect up to four devices, but it is recommended that you separate IDE ports for your hard drive and your Dual Digital Combo Drive. This will ensure that your hard drive's performance and speed won't be affected by having the drive on the same cable.

Jumper Setting

On the rear panel of this drive, you will find three pairs of jumpers: CS (CSEL), SL (Slave) and MA (Master). Use the jumper cap to set the device to CS, SL or MA mode corresponding to your PC configuration. If you connect only one device on the IDE cable, you can set the jumper as "MASTER" or "SLAVE".



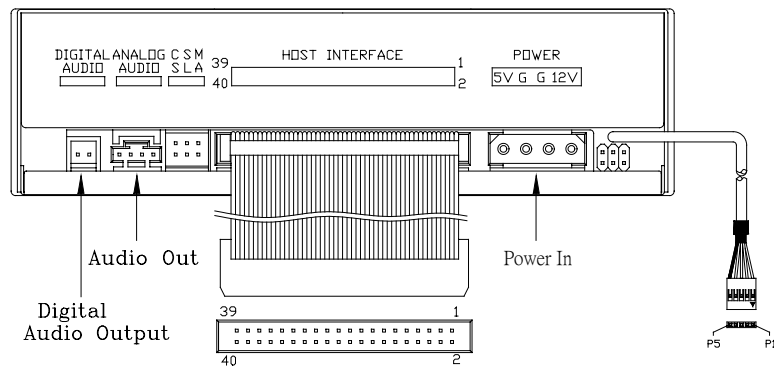
If you connect two devices on the same cable, set different jumper for each device (one as "MASTER", and the other one as "SLAVE"). The same rule applies to the connection of having your hard disk and another device on the same cable.



Improper or conflicting setting will cause the unit not detected by your system.

Hardware Installation

1. Turn off the power to your computer system.
2. Disconnect the power cord and all cables from the back of your computer, and then remove the cover of the computer.
3. Insert the drive into one of the vacant 5.25" drive bays and secure it to your PC with all four mounting screws.
4. Connect one end of the 40-pin IDE cable to the IDE connector of this drive and the other end to the IDE port on your mainboard. Also, connect the power supply cable to the back of the drive.



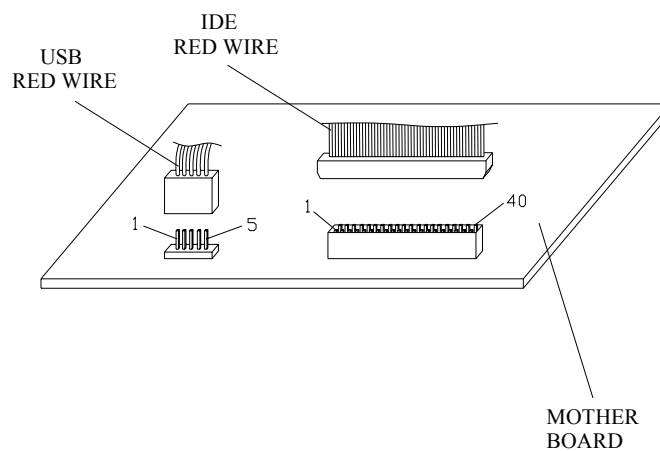
☞ *Make sure to align and connect the red-edge of the IDE Cable to Pin 1 on the drive.*

5. If you have a sound card that can be connected to the drive, you can also connect the drive (as Audio-Out) and the sound card (as Audio-in) with a 4-pin audio cable.

If your mainboard is integrated with built-in sound system, plug the 4-pin audio cable into the CD-IN connector on the mainboard as Audio-in.

6. Connect the USB cable at the back of the drive to the USB connector on the mainboard. The red wire of the cable needs to plug into Pin 1 on the board.

☞ This drive supports USB 1.1 and if you connect to USB 2.0 connector, only transfer rate of USB 1.1 will be available.



7. Re-attach the cover of the computer, and reconnect the power cord and all cables to the computer.

Driver Installation

For the Combo Drive

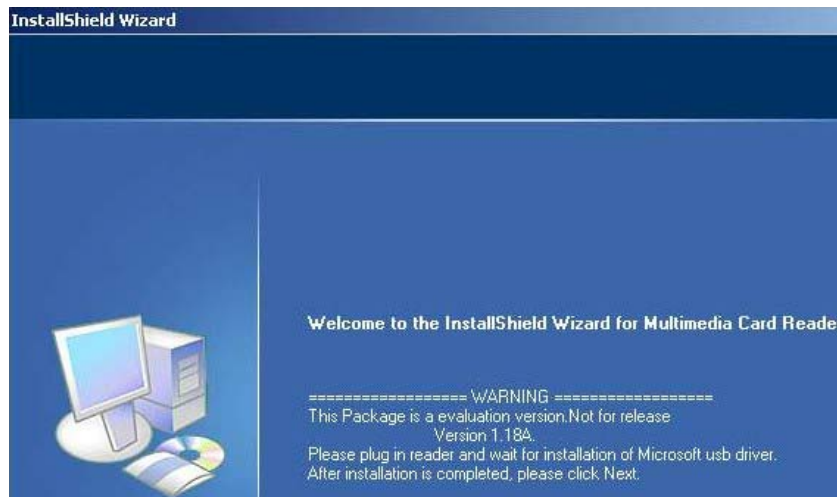
For the Combo Drive itself, it's an IDE device supporting Plug & Play and Windows 98SE/ME/2000/XP can automatically detect the drive and load the appropriate driver.

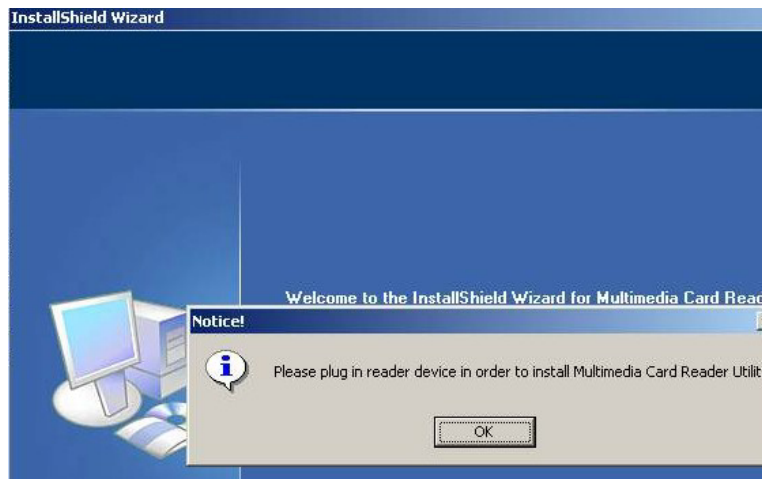
For the Card Reader

Windows 98SE/2000

If you are using Window 98SE or 2000, please install the provided driver.

1. Insert the application disc.
2. Select:\Card Reader Driver
3. Click “**setup.exe**”, and follow the on-screen instructions:





☞ Click “OK” if you have already had USB cable connected (Refer to Hardware Installation, Step 6.)





☞ *Make sure to restart your computer.*

Windows ME/XP

Since Windows ME and XP already have USB Mass Storage support, the card reader can be detected and work fine without installing driver. However, we recommend that you install the provided driver to have more explicit operation status of the card reader, as described below.

☞ *For Windows XP users, please upgrade to Service Pack 1.*

After the driver installation, 4 extra icons with different card type indicated will show in Device Manager/My computer. And then you can use each slot of the card reader for file archiving/recording.



While the card reader is reading data of memory cards, the icon for the card accessed will light up and the LED beside the card slot on the front panel will flash Green.

Software Installation

Burning Software

The bundled recording software gives you the complete solution for making audio/data CDs. With the user-friendly interface, it guides you through the creation and backup of files/photos/video/music from your computer to a recordable compact disc. Combining of the card reader capabilities, no matter you are a novice or an experienced user; you can enrich your digital life with this best recording tool.

DVD Playback Software

The DVD playback software has a newly enhanced MPEG-1 and 2 decoder to provide you with the most rich and powerful image quality. It is based on the proprietary MPEG-2 video decoding engine that supports full

resolution 720 x 480 video playback. You can enjoy the wide range of educational and entertaining CD/DVD titles with sound and visual effect of theater quality.

Windows Environment

1. Insert the application CD and the installation program will run automatically. Then follow the on-screen procedures.

Or

2. Run:\setup.exe on the application CD.

DVD Region Code

Region Playback Control Management

All DVD Video Playback systems have “Region Playback Control” management (RPC) which is required by Hollywood movie industry and defined by DVD Forum. This includes DVD-Video players and PC systems with DVD-Video capability. You can only play DVD-Video discs with the same region code as your DVD-Video Playback system.

As for DVD-ROM drives, one kind of the DVD-Video Playback system, there are 2 types:

RPC Phase 1 (as RPC1): RPC1 drives do not have built-in hardware support for region management. DVD-ROM drives of this kind don't play a part in controlling the playback region. It solely depends on the decoder.

RPC Phase 2 (as RPC2): RPC2 drives maintain the region change count information in hardware, and in general, the region of such drives can be changed up to 5 times by the end users under some software decoder (e.g. PowerDVD).

And referring to the region codes, there are 6 regions worldwide, and normally, there is a region code mark on the package of DVD titles. :

Region 1: Canada, US

Region 2: Japan, Europe, South Africa, and Middle East (including Egypt)

Region 3: Southeast Asia and East Asia (including Hong Kong)

Region 4: Australia, New Zealand, Pacific Islands, Central America, Mexico, South America, and the Caribbean

Region 5: Eastern Europe, Indian subcontinent, Africa, North Korea, and Mongolia

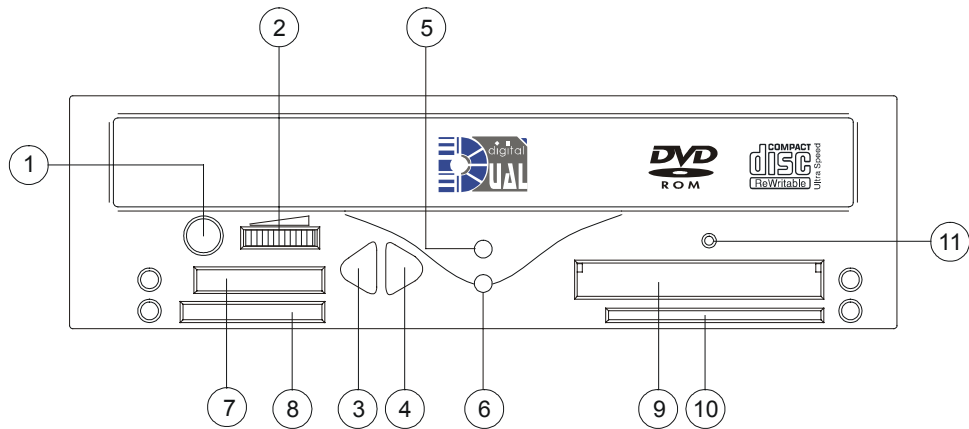
Region 6: China

About This Dual Digital Combo Drive

This drive is also a RPC2 DVD-ROM drive and according to DVD-Forum, PC chip must be designed into DVD-ROM drives to record how many times a user has changed the region code. The first region code will depend on the DVD title you play and you are allowed to modify the region code 5 times (including the initial one). After the fifth alteration, the region code will be locked and only those DVD titles of the same region code could be played afterwards, so set the code carefully.

OPERATION & CONNECTION

Front Panel



1. Headphone Jack

By plugging in the stereo mini jack here, you can listen to an audio disc directly playing from the drive with headphones.

2. Headphone Volume Control

This rotary knob adjusts the audio output level. Turn the wheel to the right/left for the volume control of your headphone.

3. Play/Skip button

Press this button to play tracks or skip to next track during the playing state.

4. Close/Eject button

This button opens and closes the disc tray. If the tray is closed, pressing the button will eject it. If the drive is playing audio, pressing this button will stop it.

5. Led Indicator (Combo Drive)

Flashes “**green**” while verifying or reading a CD/DVD.

Flashes “**red**” while writing data.

While the tray goes in/out, the indicator lights **green** and it's off when the drive is ready.

6. LED Indicator (card reader)

Once the USB cable is correctly connected, this LED will light **yellow**, which means the card slots are ready to use.

7. Slot for Memory Stick (MS)/Memory Stick Pro (MS Pro)

8. Slot for Secure Digital (SD)/MultiMediaCard (MMC)

9. Slot for Compact Flash(CF) Type I, II/MicroDrive

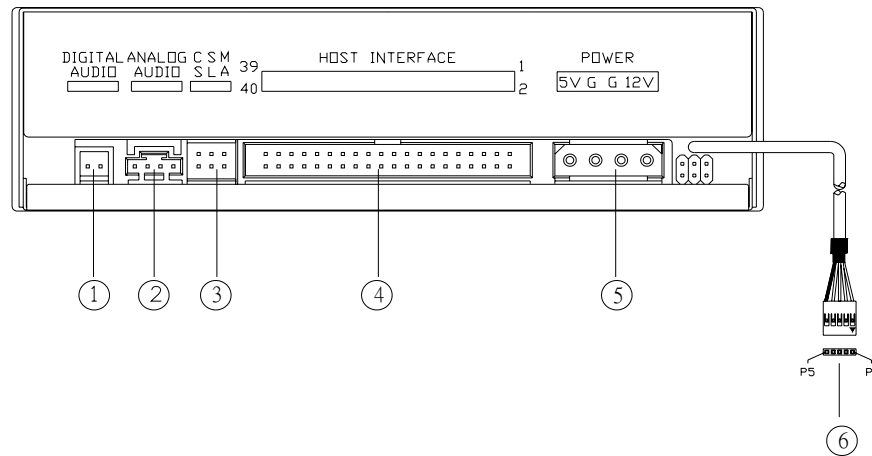
10. Slot for Smart Media

11. Emergency Eject Hole

When the Close/Eject button doesn't work properly and the disc tray can't be opened, you can insert a paper clip or a small rod into this hole for manual ejection. Please make sure to power off the system before you do that.

☞ **Note:** *The design of front panel is subject to change without notice.*

Rear View



1. Digital Audio Output Connector

If your sound card has a digital audio IEC958 format connector, you can connect it to this digital audio output connector with a 2-pin audio cable.

2. Analog Audio Output Connector

This connector allows you to connect the drive to your sound card with a 4-pin audio cable.

3. Device Configuration Jumper

Set the jumper to Master, Slave or Cable Select according to your system configuration.

4. IDE Interface Connector

Plug one end of the 40-pin IDE cable here to join the 40-pin IDE connector on the motherboard. The red-edge of the IDE cable must be connected to Pin 1 of each connector.

5. Power Supply Connector

By plugging the computer's power supply cable here, you can connect the drive and your computer system.

6. USB Cable

Connect the USB cable to the USB connector on the mainboard. The red wire of the cable needs to plug into Pin 1 on the board.

TECHNICAL DATA

Interface	Combo Drive: IDE Card Reader: USB 1.1
Form factor	5.25" Half Height
Writing speed	CD-R: 8X/16X/24X/32X/40X/48X CD-RW: 4X/10X/12X/16X/24X
Writing modes	TAO (Track at once), DAO (Disc At Once), SAO (Session at once), Multi-session, Incremental Packet Writing
Digital Media	CompactFlash, MicroDrive, Memory Stick, Memory Stick Pro, SmartMedia, MultiMediaCard, and Secure Digital
Transfer rate	
Combo Drive	Read: CD-ROM: 7200kb/sec (up to 48X) CD-RW: 4800kb/sec (up to 32X) DVD: 21632kb/sec (up to 16X) Write: CD-R: 7200kb/sec (up to 48X) CD-RW: 3600kb/sec (up to 24X)
Card Reader	Read: Up to 1.5MB/s Write: Up to 1.5MB/s
Access time	CD/DVD: 110/120 ms

Disc Format Supported

	Write	Read
CD-DA	✓	✓
CD-ROM	✓	✓
CD-ROM XA	✓	✓
CD-EXTRA	✓	✓
Video CD	✓	✓
Photo CD	✓	✓
CD-I	✓	✓
CD-TEXT	✓	✓
DVD-ROM (DVD-5, DVD-9, DVD-10, DVD-18)		✓
DVD+RW, DVD-RW		✓

Data buffer	2MB
Disc loading	Tray (motorised), Dust Sealed
Audio output level	Line out = $0.6 \pm 10\%V_{rms}$ Headphone out = $0.6 \pm 10\%V_{rms}$
Power	5 VDC & 12VDC Card Reader power directly from computer power supply through USB connection
Dimensions	
Height	41.8 ± 0.2 mm
Width	148.8 ± 0.2 mm
Depth	193.4 ± 0.3 mm
Weight	1 kg

Environment

Combo Drive

Temperature	
Operating	5°C to 45°C
Non-operating	-20°C to 60°C

Humidity	
Operating	8% ~ 80%RH
Non-operating	5% ~ 95%RH

Card Reader

Temperature	
Operating	0°C to 40°C
Non-operating	-20°C to 45°C

Humidity	
Operating	0% ~ 90%RH
Non-operating	0% ~ 95%RH

Compact Disc

Disc Size	80mm and 120mm discs
Disc Data Capacity	DVD-ROM: Single layer – 4.7GB Dual layer – 8.5GB (one side) CD-ROM: 74min – 650MB – Mode 1 80min – 700MB – Mode 1

3100551770
Version 1.0
June 2003