



**Robert Bosch GmbH**

Power Tools Division  
70745 Leinfelden-Echterdingen  
Germany

[www.bosch-garden.com](http://www.bosch-garden.com)

**F 016 L70 762** (2010.09) O / 12 **XXX**



3 165140 707626

## Rotak Ergo Flex

34 LI | 37 LI | 43 LI



**BOSCH**

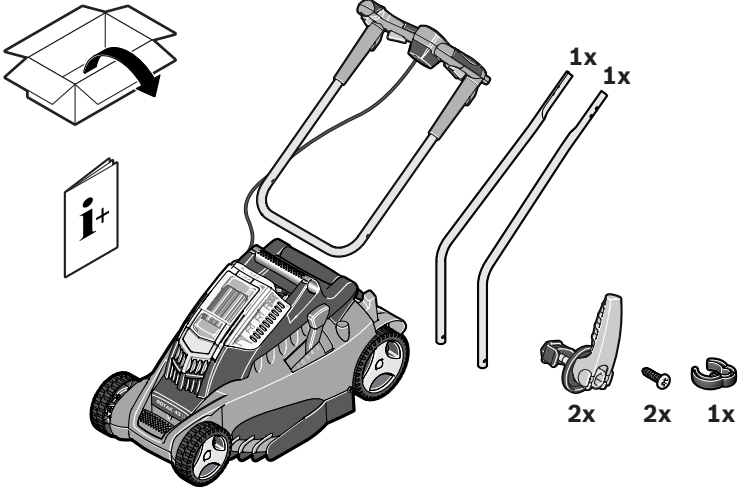
en Original instructions



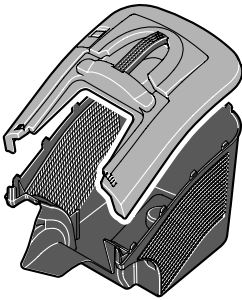
1



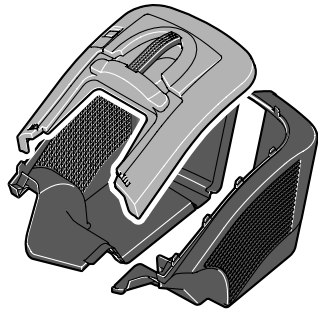
14,2 kg



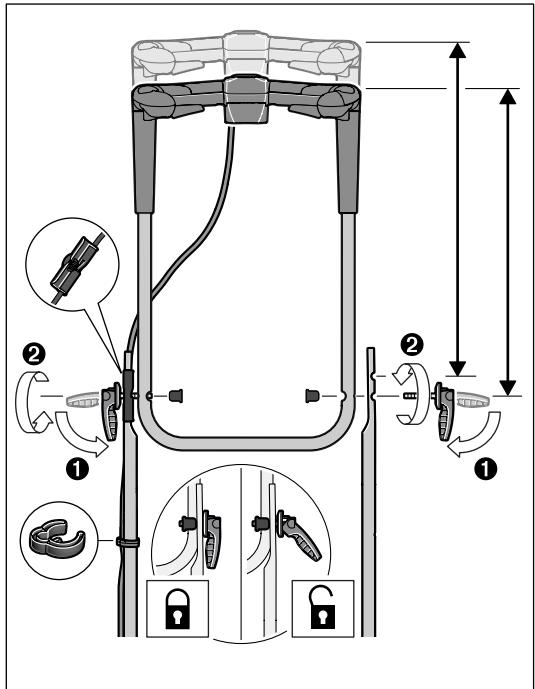
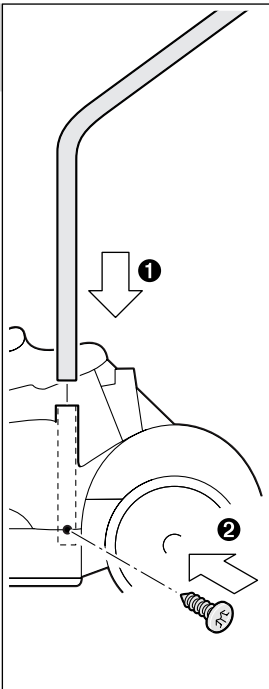
Rotak 34/37 LI



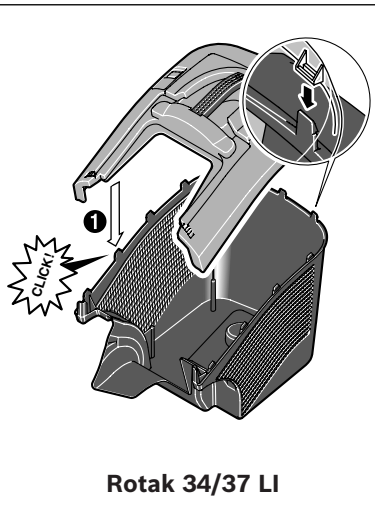
Rotak 43 LI



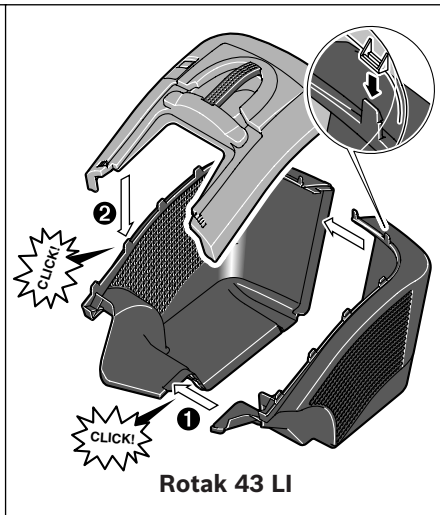
2



3

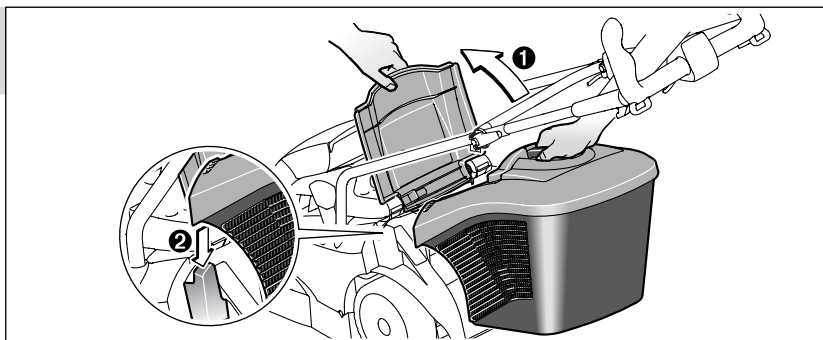


Rotak 34/37 LI

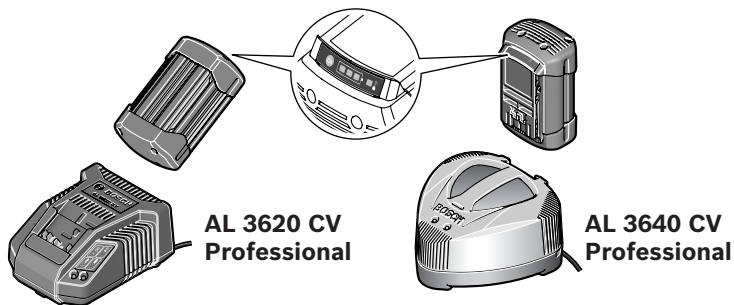


Rotak 43 LI

4



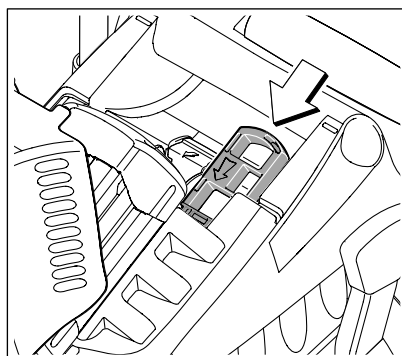
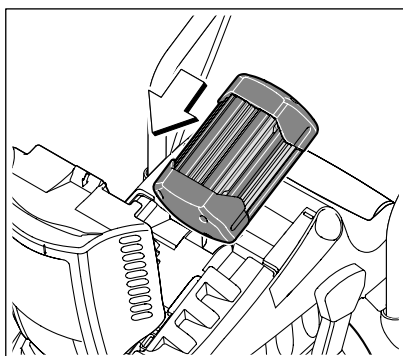
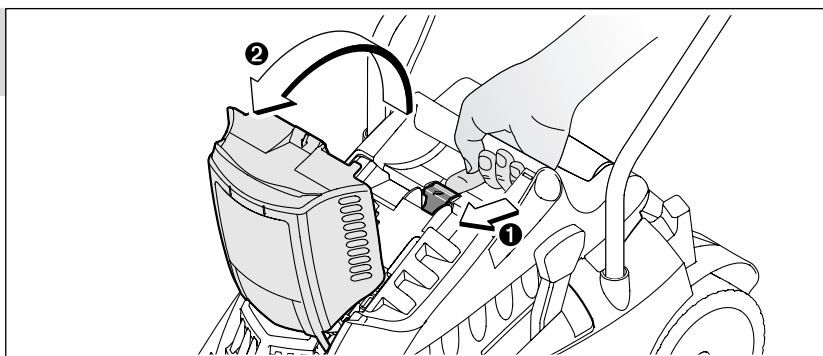
5

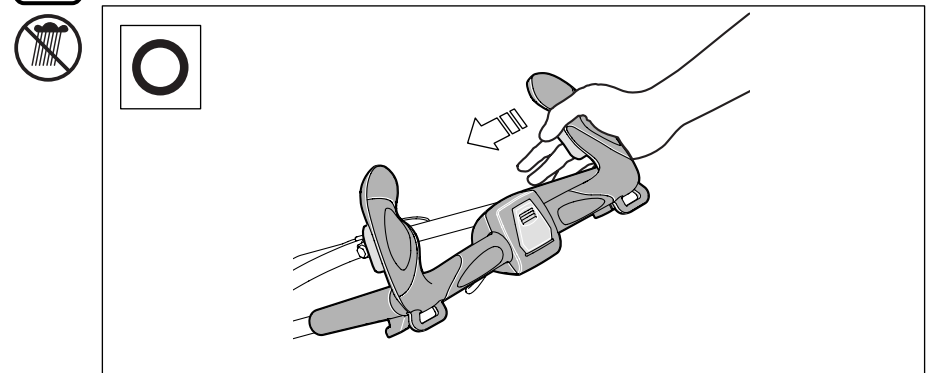
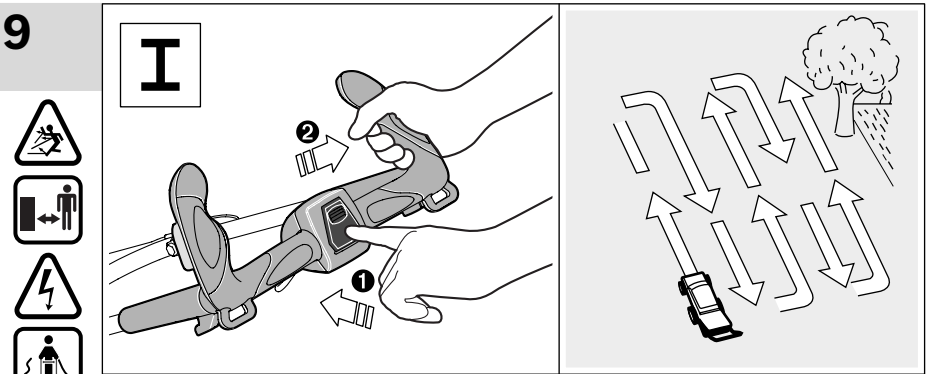
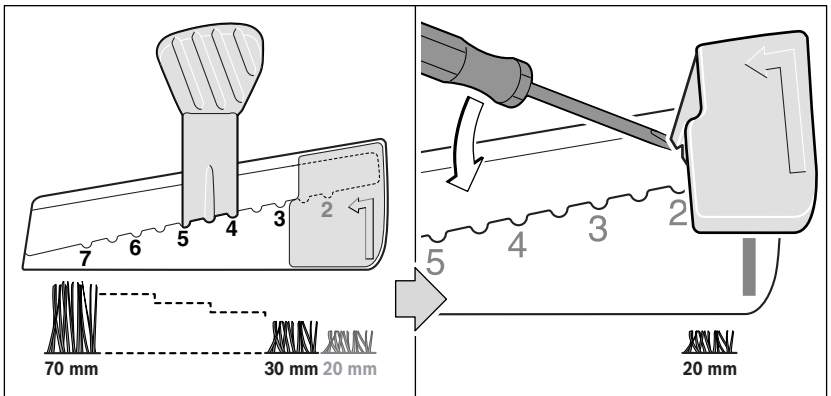
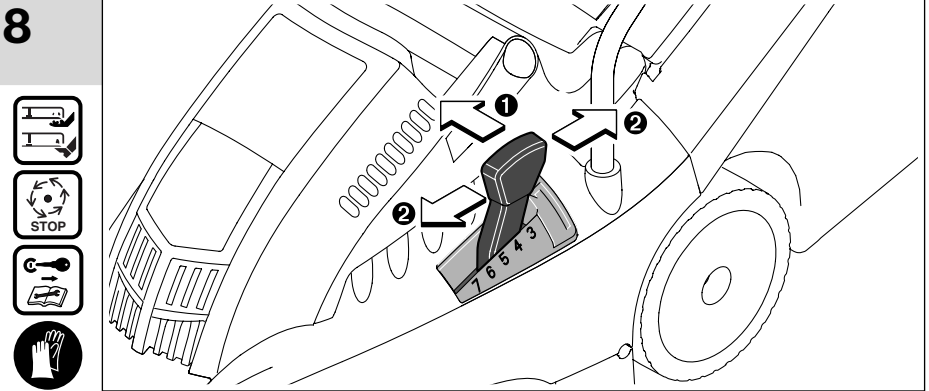
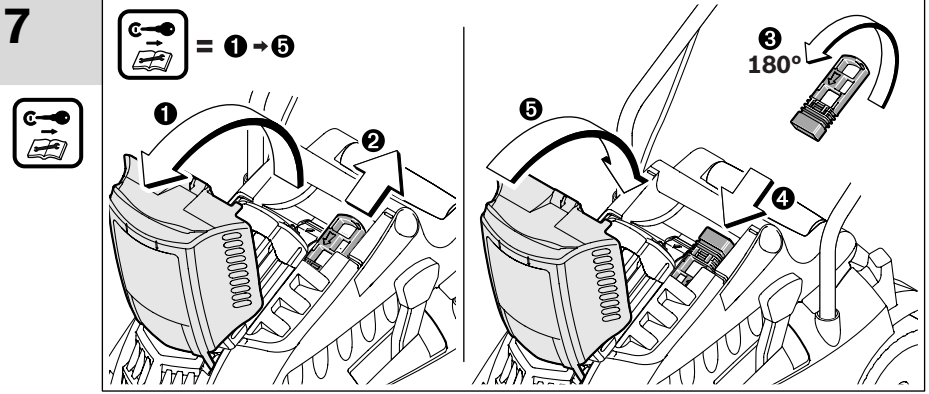


AL 3620 CV Professional

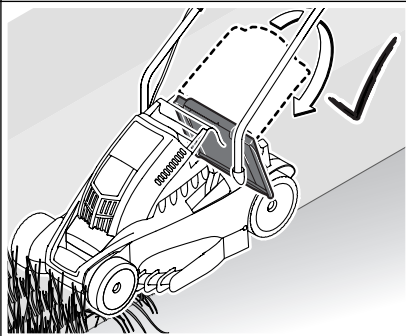
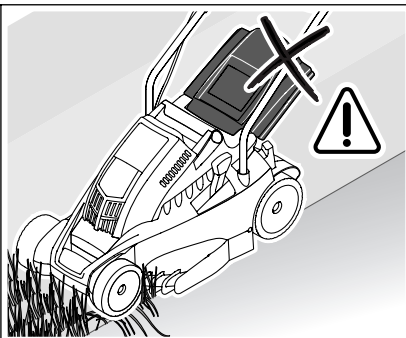
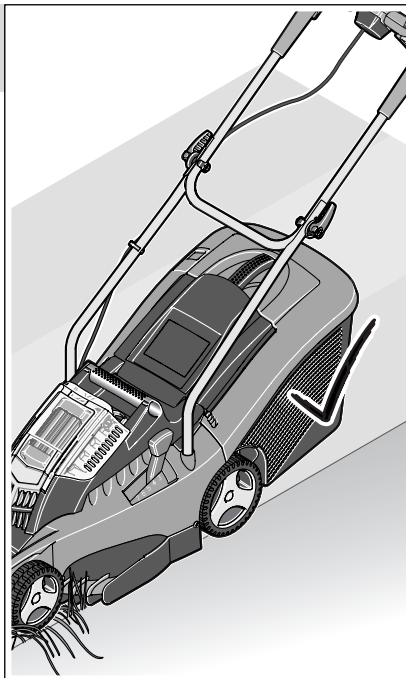
AL 3640 CV Professional

6

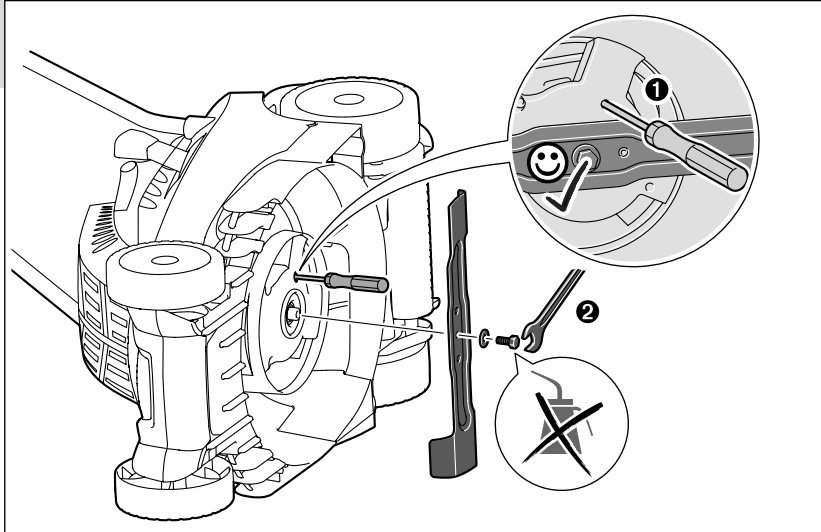




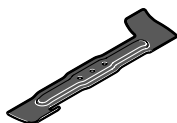
# 10



# 11



# 12



F 016 800 288 (Rotak 34 LI)  
 F 016 800 277 (Rotak 37 LI)  
 F 016 800 278 (Rotak 43 LI)



F 016 800 301  
 (2,6 Ah)



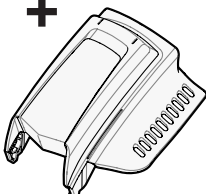
2 607 225 657 (EU)  
 2 607 225 659 (UK)  
 2 607 225 661 (AU)



F 016 800 300  
 (4,5 Ah)
















2 607 225 099 (EU)  
 2 607 225 101 (UK)  
 2 607 225 103 (AU)



## Safety Notes

**Warning! Read these instructions carefully, be familiar with the controls and the proper use of the machine. Please keep the instructions safe for later use!**

### Explanation of symbols on the machine

-  General hazard safety alert.
-  Read instruction manual.
-  Pay attention that bystanders are not injured through foreign objects thrown from the machine.
-  Keep bystanders a safe distance away from the machine.
-  Sharp blade(s). Beware of severing toes or fingers.
-  Switch off and remove isolator key before adjusting, cleaning and before leaving the product unattended for any period.
-  Not applicable.
-  Wait until all machine components have completely stopped before touching them. The blades continue to rotate after the machine is switched off, a rotating blade can cause injury.
-  Do not use the machine in the rain or leave it outdoors when it is raining.
-  Beware electric shock hazard.
-  Keep supply flexible cord away from cutting means.
-  Only use the battery charger indoors.
-  Battery charger contains a safety transformer.

### Operation

- ▶ Never allow children or people unfamiliar with these instructions to use the machine. Local regulations may restrict the age of the operator. When not in use store the machine out of reach of children.
- ▶ This tool is not intended for use by persons (including children) with reduced physical, sensory or mental capabilities, or lack of experience and knowledge, unless they have been given supervision or instruction concerning use of the appliance by a person responsible for their safety. Children should be supervised to ensure that they do not play with the appliance.
- ▶ Never mow while people, especially children or pets, are nearby.
- ▶ The operator or user is responsible for accidents or hazards occurring to other people or their property.
- ▶ Do not operate the machine when barefoot or wearing open sandals, always wear substantial footwear and long trousers.
- ▶ Thoroughly inspect the area where the machine is to be used and remove all stones, sticks, wires, bones and other foreign objects.
- ▶ Before using, always visually inspect to see that the blades, blade bolts and cutter assembly are not worn or damaged. Replace worn or damaged blades and bolts in sets to preserve balance.

- ▶ Mow only in daylight or in good artificial light.
- ▶ Avoid operating the machine in wet grass, where feasible.
- ▶ Walk, never run.
- ▶ Never operate the appliance with defective guards or shields, or without safety devices, for example deflectors and/or grass catchers in place.
- ▶ **Working on banks can be dangerous.**
  - Do not mow excessively steep slopes.
  - Always be sure of your footing on slopes or wet grass.
  - Mow across the face of slopes – never up and down.
  - Exercise extreme caution when changing direction on slopes.
  - Use extreme caution when stepping back or pulling the machine towards you.
  - Never mow by pulling the mower towards you.
- ▶ Stop the blades if the machine has to be tilted for transportation when crossing surfaces other than grass and when transporting the machine to and from the area to be mowed.
- ▶ Do not tilt the machine when starting or switching on the motor, except if the machine has to be tilted for starting in long grass. In this case, do not tilt it more than absolutely necessary and tilt only the part which is away from the operator. Always ensure that both hands are in the operating position before returning the machine to the ground.
- ▶ Switch on the motor according to the instructions with feet well away from rotating parts.
- ▶ Do not put hands or feet near or under rotating parts.
- ▶ Always stand clear of the discharge zone when operating the machine.
- ▶ Never pick up or carry the machine while the motor is running.
- ▶ **Do not modify this product.** Unauthorized modifications may impair the safety of your product and may result in increased noise and vibration.

### Remove the isolator key:

- whenever you leave the machine,
- before clearing a blockage,
- before checking, cleaning or working on the machine,
- after striking a foreign object. Inspect the machine for damage and make repairs as necessary,
- if the machine starts to vibrate abnormally (check immediately).

### Maintenance

- ▶ **Always wear gardening gloves when handling or working near the sharp blades.**
- ▶ Keep all nuts, bolts and screws tight to be sure that the machine is in safe working condition.
- ▶ Check the grass catcher frequently for wear or deterioration.
- ▶ Examine the machine and replace worn or damaged parts for safety.
- ▶ Ensure replacement cutting means of the right type are used.
- ▶ Ensure replacement parts fitted are Bosch approved.

### Recommendations for Optimal Handling of the Battery

- ▶ **Ensure the switch is in the off position before inserting battery pack.** Inserting the battery pack into machines that have the switch on invites accidents.
- ▶ **Keep the battery charger away from rain or moisture.** Penetration of water in the battery charger increases the risk of an electric shock.
- ▶ **Recharge only with the charger specified by the manufacturer.** A charger that is suitable for one type of battery pack may create a risk of fire when used with another battery pack.
- ▶ **Do not charge other batteries.** The battery charger is suitable only for charging Bosch lithium ion batteries within the listed voltage range. Otherwise there is danger of fire and explosion.
- ▶ **Keep the battery charger clean.** Contamination can lead to danger of an electric shock.
- ▶ **Before each use, check the battery charger, cable and plug. If damage is detected, do not use the battery charger. Never open the battery charger yourself. Have repairs performed only by a qualified technician and only using original spare parts.** Damaged battery chargers, cables and plugs increase the risk of an electric shock.

- ▶ **Do not operate the battery charger on easily inflammable surfaces (e. g., paper, textiles, etc.) or surroundings.** The heating of the battery charger during the charging process can pose a fire hazard.
- ▶ **Use only Bosch battery packs intended specifically for the machine.** Use of any other battery packs may create a risk of injury and fire.
- ▶ **When battery pack is not in use, keep it away from other metal objects like paper clips, coins, keys, nails, screws, or other small metal objects that can make a connection from one terminal to another.** Shorting the battery terminals together may cause burns or a fire.
- ▶ **Under abusive conditions, liquid may be ejected from the battery; avoid contact. If contact accidentally occurs, flush with water. If liquid contacts eyes, additionally seek medical help.** Liquid ejected from the battery may cause irritations or burns.
- ▶ **Do not open the battery.** Danger of short-circuiting.
- ▶ **Protect the battery against heat, e. g., against continuous intense sunlight, fire, water, and moisture.** Danger of explosion.
- ▶ **Do not short-circuit the battery.** There is danger of explosion.
- ▶ **In case of damage and improper use of the battery, vapours may be emitted. Provide for fresh air and seek medical help in case of complaints.** The vapours can irritate the respiratory system.
- ▶ Protect the battery against moisture and water.
- ▶ Store the battery only within a temperature range between 0 °C and 45 °C. As an example, do not leave the battery in the car in summer.
- ▶ Occasionally clean the venting slots of the battery using a soft, clean and dry brush.

## Symbols

The following symbols are important for reading and understanding the operating instructions. Please take note of the symbols and their meaning. The correct interpretation of the symbols will help you to use the garden product in a better and safer manner.

Symbol	Meaning
	Movement direction
	Wear protective gloves
	Weight
	Switching On
	Switching Off
	Permitted action
	Prohibited action
	Accessories/Spare Parts

## Intended Use

The garden product is intended for domestic lawn mowing.

## Technical Data

Cordless Lawnmower		Rotak 34 LI	Rotak 37 LI	Rotak 43 LI
Article number		3 600 H81 E..	3 600 H81 J..	3 600 H81 K..
Blade width	cm	34	37	43
Height of cut	mm	20 – 70*	20 – 70*	20 – 70*
Grassbox, capacity	l	40	40	50
Weight according to EPTA-Procedure 01/2003	kg	12.8	13.0	13.7
Serial number		see type plate on the garden product		
<b>Battery</b>		<b>Li-Ion</b>	<b>Li-Ion</b>	<b>Li-Ion</b>
Article number		2 607 336 107	2 607 336 107	2 607 336 107
Rated voltage	V=	36	36	36
Capacity	Ah	2.6	2.6	2.6
Charging period (battery discharged)**	min	60	60	60
Number of battery cells		20	20	20
<b>Battery</b>		<b>Li-Ion</b>	<b>Li-Ion</b>	<b>Li-Ion</b>
Article number		2 607 336 005	2 607 336 005	2 607 336 005
Rated voltage	V=	36	36	36
Capacity	Ah	4.5	4.5	4.5
Charging period (battery discharged)**	min	95	95	95
Number of battery cells		30	30	30
<b>Battery Charger</b>		<b>AL 3620 CV Professional</b>	<b>AL 3620 CV Professional</b>	<b>AL 3620 CV Professional</b>
Article number	EU UK AU	2 607 225 657 2 607 225 659 2 607 225 661	2 607 225 657 2 607 225 659 2 607 225 661	2 607 225 657 2 607 225 659 2 607 225 661
Charging current	A	2.0	2.0	2.0
Allowable charging temperature range	°C	0 – 45	0 – 45	0 – 45
Weight according to EPTA-Procedure 01/2003	kg	0.6	0.6	0.6
Protection class		□/II	□/II	□/II
<b>Battery Charger</b>		<b>AL 3640 CV Professional</b>	<b>AL 3640 CV Professional</b>	<b>AL 3640 CV Professional</b>
Article number	EU UK AU	2 607 225 099 2 607 225 101 2 607 225 103	2 607 225 099 2 607 225 101 2 607 225 103	2 607 225 099 2 607 225 101 2 607 225 103
Charging current	A	4.0	4.0	4.0
Allowable charging temperature range	°C	0 – 45	0 – 45	0 – 45
Weight according to EPTA-Procedure 01/2003	kg	1.0	1.0	1.0
Protection class		□/II	□/II	□/II

\*with the blanking plate removed

\*\*with AL 3640 CV Professional charger

Please observe the article number on the type plate of your garden product. The trade names of the individual garden products may vary.



## Noise/Vibration Information

Measured sound values determined according to 2000/14/EC (1.60 m height, 1 m distance away).	3 600 ...	H81 E..	H81 J..	H81 K..
Typically the A-weighted noise levels of the product are:				
Sound pressure level	dB(A)	81.0	81.0	81.0
Sound power level	dB(A)	89.4	89.7	90.2
Uncertainty K	dB	=0.6	=0.3	=0.8
<b>Wear hearing protection!</b>				
Vibration total values (triax vector sum) determined according to EN 60335:				
Vibration emission value $a_h$	m/s <sup>2</sup>	<2.5	<2.5	<2.5
Uncertainty K	m/s <sup>2</sup>	=1.5	=1.5	=1.5

## Declaration of Conformity

	3 600 ...	H81 E..	H81 J..	H81 K..
We declare under our sole responsibility that the product described under "Technical data" is in conformity with the following standards or standardization documents: EN 60335, EN 50338 (battery powered product) and EN 60335 (battery charger) according to the provisions of the directives 2006/95/EC, 2004/108/EC, 2006/42/EC, 2000/14/EC. 2000/14/EC: Guaranteed sound power level	dB(A)	90.0	90.0	91.0
Conformity assessment procedure according to Annex VI.				

Equipment category: 32

Notified body:

SRL, Sudbury, England, Nr. 1088



Technical file at:

Bosch Lawn and Garden Ltd., PT-LG/EAE, Stowmarket, Suffolk IP14 1EY, England

 08

Dr. Egbert Schneider  
Senior Vice President  
Engineering

Dr. Eckerhard Strötgen  
Head of Product  
Certification


Robert Bosch GmbH, Power Tools Division  
D-70745 Leinfelden-Echterdingen  
14.09.2010

The battery is equipped with temperature monitoring that allows charging only in the temperature range between 0 °C and 45 °C. In this manner, a high battery service life is achieved.

**Note:** The battery is supplied partially charged. To ensure full capacity of the battery, completely charge the battery in the battery charger before using your power tool for the first time.

The lithium ion battery can be charged at any time without reducing its service life. Interrupting the charging procedure does not damage the battery.

The "Electronic Cell Protection (ECP)" protects the lithium ion battery against deep discharging. When the battery is run down or discharged, the garden product is shut off by means of a protective circuit: The blade no longer moves.

 **WARNING** Do not continue to press the On/Off switch after the garden product has been automatically switched off. The battery can be damaged.

## Mounting and Operation

Action	Figure
Delivery Scope	1
Handle Assembly	2
Snap together the Grassbox	3
Grassbox fitting/removing	4
Battery Charging	5
Inserting/Removing the Battery	6
Remove Isolator Key and fit in the Storage Position	7
Adjusting the Cutting Height	8
Starting	9
Stopping	9
Working Advice	9 – 10
Blade Maintenance	11
Selecting Accessories	12

## Starting

### For Your Safety

- ▶ **Warning! Switch off, remove the isolator key and the battery before adjusting, cleaning or if cable is cut, damaged or entangled.**
- ▶ **The blades continue to rotate for a few seconds after the machine is switched off.**
- ▶ **Caution – do not touch the rotating blade.**

### Battery Charging

- ▶ **Do not use other battery chargers.** The supplied battery charger is designed for the Lithium-Ion battery in your garden product.
- ▶ **Observe the mains voltage!** The voltage of the power supply must correspond with the data given on the nameplate of the battery charger. Battery chargers marked with 230 V can also be operated with 220 V.

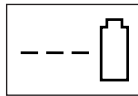
### Charging Procedure

The charging procedure starts as soon as the mains plug of the battery charger is plugged into the socket outlet and the battery is inserted into the charging compartment.

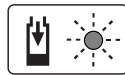
Due to the intelligent charging method, the charging condition of the battery is automatically detected and the battery is charged with the optimum charging current, depending on battery temperature and voltage.

This gives longer life to the battery and always leaves it fully charged when kept in the charger for storage.

### Rapid-charging Procedure



**AL 3640 CV  
Professional**



**AL 3620 CV  
Professional**

The rapid-charging procedure is indicated by **flashing** of the **green charge control LED**.

Indication element of the battery: During the charging procedure, the three green LEDs light up one after the other and briefly go out. The battery is fully charged when the three green LEDs light up continuously. The three LEDs go out again approx. 5 minutes after the battery has been fully charged.

**Note:** The rapid-charging procedure is only possible when the battery temperature is within the allowable charging temperature range, see section "Technical Data".

### Battery Charged



**AL 3640 CV  
Professional**



**AL 3620 CV  
Professional**



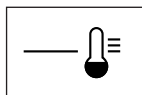
**Continuous lighting** of the **green charge control LED** signals that the battery is fully charged.

Additionally, a signal tone sounds for approx. 2 seconds, which acoustically indicates that the battery is fully charged.

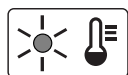
Afterwards, the battery can be removed for immediate use.

With no battery inserted, **continuous lighting** of the **green charge control LED** indicates that the mains plug is plugged into the socket and that the battery charger is ready for operation.

### Battery Temperature below 0 °C and above 45 °C



**AL 3640 CV  
Professional**

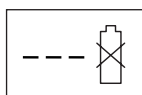


**AL 3620 CV  
Professional**

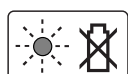
**Continuous lighting** of the **red LED** indicates that the battery temperature is not within the rapid-charging temperature range of 0 °C – 45 °C. As soon as the allowable temperature range is reached, the battery charger automatically switches to rapid charging.

When the battery is not within the allowable temperature range, the red battery LED lights up when inserting the battery into the battery charger.

### No charging procedure possible



**AL 3640 CV  
Professional**



**AL 3620 CV  
Professional**

If a different malfunction of the charging procedure is present, this will be indicated through **flashing** of the **red charge control LED**.

The charging procedure cannot be started and the battery cannot be charged (see section "Troubleshooting").

### Charging Advice

Without continuous or several repetitive charging cycles without interruption, the charger can warm up. This is not meaningful and does not indicate a technical defect of the battery charger.

A significantly reduced working period after charging indicates that the battery is used and must be replaced.

Observe the notes for disposal.

### Battery Cooling (Active Air Cooling)

The fan control integrated in the battery charger controls the temperature of the inserted battery. When the battery temperature is above 30 °C, a fan cools down the battery to the optimal charging temperature. The switched-on fan produces a fan noise.

The battery temperature is within the optimal charging temperature range when the fan is not running. Another reason for a non working fan might be that it is defective. In this case, the charging time of the battery might be extended.

## Working Advice

### Battery Charge-control Indication

The battery is equipped with a charge-control indicator which indicates its charge condition. The charge-control indicator consists of 3 green LEDs.

Press the button to actuate the charge-control indicator. After approx. 5 seconds, the charge-control indicator goes out automatically.

The charge condition can also be checked when the battery is removed.

LED Indicators	Battery Capacity
Continuous lighting of 3 green LEDs	≥ 2/3
Continuous lighting of 2 green LEDs	≥ 1/3
Continuous lighting of 1 green LED	≤ 1/3
Flashing of 1 green LED	Reserve

When no LED lights up after actuating the button, the battery is defective and must be replaced.

For safety reasons, the charge condition of the battery can only be checked when the garden product is at a standstill.

During the charging procedure, the three green LEDs light up one after the other and briefly go out. The battery is fully charged when the three green LEDs light up continuously. The three LEDs go out again approx. 5 minutes after the battery has been fully charged.

### Temperature Control Indicator

The red LED signals that the battery or the electronics of the garden product (with battery inserted) are not within the optimum temperature range. When this occurs the garden product will not operate or not at full capacity.

### Temperature Control of the Battery

The red LED flashes when pushing button or pressing the On/Off switch (when the battery is inserted): The battery is not within the temperature range for operation of –10 °C to +60 °C.

The battery switches off at a temperature above 70 °C until the optimum temperature range is reached again.

### Temperature Control of the Garden Product Electronics

The red LED lights up **continuously** when pressing the On/Off switch: The temperature of the garden product electronics is below 5 °C or above 75 °C.

At a temperature above 90 °C, the electronics of the garden product switch off until the temperature is within the allowable temperature range again.

### Area of Cut (Battery Duration)

The area of cut (battery duration) depends on lawn conditions, grass density, moisture content, grass length and height of cut.

Switching the machine on and off frequently during cutting will also reduce the area of cut (battery duration).

To improve the area of cut (battery duration) it is recommended to cut more frequently, raise the cutting height and walk at a normal pace.

The example below shows impact of conditions against run time, for one battery.

Cutting Conditions		
Very light, dry grass	Light, dry grass	Medium, dense grass
Area of cut (Rotak 34 LI)*		
up to 300 m <sup>2</sup>	up to 150 m <sup>2</sup>	up to 100 m <sup>2</sup>
Area of cut (Rotak 37 LI)*		
up to 300 m <sup>2</sup>	up to 150 m <sup>2</sup>	up to 100 m <sup>2</sup>
Area of cut (Rotak 43 LI)*		
up to 300 m <sup>2</sup>	up to 150 m <sup>2</sup>	up to 100 m <sup>2</sup>

\*with battery 2 607 336 107

To increase the run time an additional battery or higher capacity battery (Ah) can be purchased from an authorized customer service agent for Bosch garden products.

## Troubleshooting



Problem	Possible Cause	Corrective Action
Garden product fails to operate	Possible clogging	Check underneath the garden product and clear out as necessary (always wear gardening gloves)
	Battery not fully charged	Battery Charging
	Battery not inserted (properly)	Inserting the Battery
	Fuse faulty/blown in isolator key	Contact Service Agent
	Grass too long	Increase height of cut and tilt garden product to reduce starting load
	Motor protector has activated	Allow motor to cool and increase height of cut
	Battery too hot/cold	Allow to cool/warm
	Isolator key not inserted correctly/fully	Fit correctly
Motor starts and stops immediately	There is a short delay in the motor starting after engaging the On/Off switch	Hold On/Off switch for 1 – 3 s to start motor
	Battery not fully charged	Battery Charging
	Isolator key not inserted correctly/fully	Fit correctly
	Battery not inserted (properly)	Inserting the Battery
Garden product functions intermittently	Battery too hot/cold	Allow to cool/warm Increase height of cut
	Internal wiring of garden product damaged	Contact Service Agent
Garden product leaves ragged finish and/or Motor labours	Motor protector has activated	Allow motor to cool and increase height of cut
	Height of cut too low	Increase height of cut
	Cutting blade blunt	Replace the blade
	Possible clogging	Check underneath the garden product and clear out as necessary (always wear gardening gloves)
Area of cut (battery duration) not large enough	Blade fitted upside down	Refit blade correctly
	Height of cut too low	Increase height of cut and walk slower
	Grass too high	Increase height of cut and walk slower
	Grass wet or damp	Wait until grass is dry and walk slower
	Grass is dense	Increase height of cut, walk slower and cut more frequently
Cutting blade not rotating while garden product switched on	An additional battery can be purchased from an authorised customer service agent for Bosch garden products	Contact Service Agent
	Cutting blade obstructed	Switch off garden product Clear obstruction (always wear gardening gloves)
	Blade nut/bolt loose	Tighten blade nut/bolt (17 Nm)
Excessive vibrations/noise	Blade nut/bolt loose	Tighten blade nut/bolt (17 Nm)
	Cutting blade damaged	Replace the blade
No charging procedure possible	Battery contacts contaminated	Clean the battery contacts (e.g. by inserting and removing the battery several times) or replace the battery
	The battery is defective, due to a disconnection in the battery (individual cells)	Replace the battery
The charge control LEDs and respectively, do not light up after inserting the mains plug into the socket	Mains plug of battery charger not plugged in (properly)	Insert mains plug (fully) into the socket outlet
	Socket outlet, mains cable or battery charger defective	Check the mains voltage and if necessary, have the battery charger checked by an authorized customer service station for Bosch power tools

## Maintenance and Service



### Battery Maintenance

- ▶ **Warning! Switch off, remove the isolator key, battery and grassbox before adjusting or cleaning.**
- ▶ **Always wear gardening gloves when handling or working near the sharp blades.**

Use the following procedures to enable optimum usage of the battery:

- Protect the battery against moisture and water.
- Store the battery only within a temperature range between 0 °C and 45 °C. As an example, do not leave the battery in the car in summer.
- Do not leave the battery in the product in direct sunlight.
- The ideal storage condition for the battery is 5 °C.
- Occasionally clean the venting slots of the battery using a soft, clean and dry brush.

A significantly reduced working period after charging indicates that the battery is used and must be replaced.

## After-sales Service and Customer Assistance

[www.bosch-garden.com](http://www.bosch-garden.com)

In all correspondence and spare parts orders, please always include the 10-digit article number given on the type plate of the garden product.

### Great Britain

Robert Bosch Ltd. (B.S.C.)  
P.O. Box 98  
Broadwater Park  
North Orbital Road  
Denham  
Uxbridge  
UB 9 5HJ  
Tel. Service: +44 (0844) 736 0109  
Fax: +44 (0844) 736 0146  
E-Mail: [boschservicecentre@bosch.com](mailto:boschservicecentre@bosch.com)

### Ireland

Origo Ltd.  
Unit 23 Magna Drive  
Magna Business Park  
City West  
Dublin 24  
Tel. Service: +353 (01) 4 66 67 00  
Fax: +353 (01) 4 66 68 88

### Australia, New Zealand and Pacific Islands

Robert Bosch Australia Pty. Ltd.  
Power Tools  
Locked Bag 66  
Clayton South VIC 3169  
Customer Contact Center  
Inside Australia:  
Phone: +61 (01300) 307 044  
Fax: +61 (01300) 307 045  
Inside New Zealand:  
Phone: +64 (0800) 543 353  
Fax: +64 (0800) 428 570  
Outside AU and NZ:  
Phone: +61 (03) 9541 5555  
[www.bosch.com.au](http://www.bosch.com.au)

### Republic of South Africa

#### Customer service

Hotline: +27 (011) 6 51 96 00

#### Gauteng – BSC Service Centre

35 Roper Street, New Centre  
Johannesburg  
Tel.: +27 (011) 4 93 93 75  
Fax: +27 (011) 4 93 01 26  
E-Mail: [bsctools@icon.co.za](mailto:bsctools@icon.co.za)

#### KZN – BSC Service Centre

Unit E, Almar Centre  
143 Crompton Street  
Pinetown  
Tel.: +27 (031) 7 01 21 20  
Fax: +27 (031) 7 01 24 46  
E-Mail: [bsc.dur@za.bosch.com](mailto:bsc.dur@za.bosch.com)

#### Western Cape – BSC Service Centre

Democracy Way, Prosperity Park  
Milnerton  
Tel.: +27 (021) 5 51 25 77  
Fax: +27 (021) 5 51 32 23  
E-Mail: [bsc@zsd.co.za](mailto:bsc@zsd.co.za)

#### Bosch Headquarters

Midrand, Gauteng  
Tel.: +27 (011) 6 51 96 00  
Fax: +27 (011) 6 51 98 80  
E-Mail: [rbsa-hq.pts@za.bosch.com](mailto:rbsa-hq.pts@za.bosch.com)

## Environmental Protection

### Rotak 34/37 LI



Environmental label “Blue Angel”.  
Awarded for low noise and low emission  
garden tools.

RAL-UZ 129

## Transport

Dispatch batteries only when the housing is undamaged. Tape or mask off open contacts and pack up the battery in such a manner that it cannot move around in the packaging.

When dispatching lithium-ion batteries, compulsory labeling may be required. Please observe the respective national regulations.

## Disposal

Do not dispose of garden products, battery chargers and batteries/rechargeable batteries into household waste!

### Only for EC countries:



According to the European law 2002/96/EC, electrical and electronic equipments that are no longer usable, and according to the European law 2006/66/EC, defective or used battery packs/batteries, must be collected separately and disposed of in an environmentally correct manner.

Batteries no longer suitable for use can be directly returned at:

### Great Britain

Robert Bosch Ltd. (B.S.C.)  
P.O. Box 98  
Broadwater Park  
North Orbital Road  
Denham  
Uxbridge  
UB 9 5HJ  
Tel. Service: +44 (0844) 736 0109  
Fax: +44 (0844) 736 0146  
E-Mail: [boschservicecentre@bosch.com](mailto:boschservicecentre@bosch.com)

### Battery packs/batteries:



### Li-Ion:

Please observe the instructions in section “Transport”.

**Subject to change without notice.**