

EVOLUTION[®] *LITE*

Model DCC658

Instruction Manual



IMPORTANT SAFETY INSTRUCTIONS

When using an electrical vacuum cleaner, basic precautions should always be followed including the following:

Read all instructions carefully before using this vacuum cleaner.

Warning! To reduce the risk of fire, electric shock, or injury:

1. Electric shock could occur if used outdoors or wet surfaces.
2. Do not leave unattended when plugged in. Unplug from outlet when not in use and before user-servicing.
3. Close supervision is necessary when used by or near children. Do not allow to be used as a toy.
4. Use only for intended use as described in this manual.
Use only the manufacturer's recommended attachments and paper bag.
5. Never operate this vacuum cleaner if it has a damaged cord or plug, if it is not working properly, if it has been dropped, damaged, exposed to weather or dropped into water.
6. Do not pull or carry this vacuum cleaner by the power cord. Do not use the power cord as a handle, close a door on the cord, or pull the cord around sharp edges or corners. Keep cord away from heated surfaces.
Do not run this vacuum cleaner over the cord.
7. Never disconnect the plug by pulling on the cord. To disconnect from an outlet, grasp the plug, not the cord.
8. Never operate this vacuum cleaner with any air opening blocked. Keep the air openings free of dust, lint, hair and any other similar materials.
When the secondary filter becomes dirty, you may rinse in warm water. Filters should be completely dry before reusing.
9. Never drop or insert any object into any opening.
10. Keep hair, face, fingers and loose clothing away from any openings, such as the agitator and all moving parts.
11. Do not pick up lit cigarettes, hot ashes, matches or similar materials, razor blades, needles, pins or other sharp objects.
12. Never operate this vacuum cleaner without a paper bag and filters in place
13. Before removing the plug from the outlet, turn all controls to the "OFF" position.
14. Use extra caution when cleaning on stairs.
15. Never handle plug, cord or vacuum cleaner with wet hands.
16. Do not touch the agitator while it is rotating.
17. Do not use in presence of flammable or combustible liquids or fumes.
18. Do not place heavy objects on the vacuum cleaner.
19. Do not step on the hose or pull the hose forcibly.
20. Do not pick up large objects such as waste paper or cloth which may clog the hose.
21. Do not expose this vacuum cleaner to high temperatures while operating or during storage.

22. Store this vacuum cleaner in a dry place.
23. Use the carrying handle at the back of the body carry this vacuum cleaner.

24. Before servicing this vacuum cleaner, allow all metal parts to cool first.

Caution: To reduce the risk of electric shock, this vacuum cleaner has a polarized plug (one blade is wider than the other). This plug will fit in a polarized outlet only one way. If the plug does not fit fully in the outlet, reverse the plug. If it still does not fit, contact a qualified electrician to install the proper outlet. Do not change the plug in any way.

SAVE THIS INSTRUCTION MANUAL

This vacuum cleaner is intended for household use only.

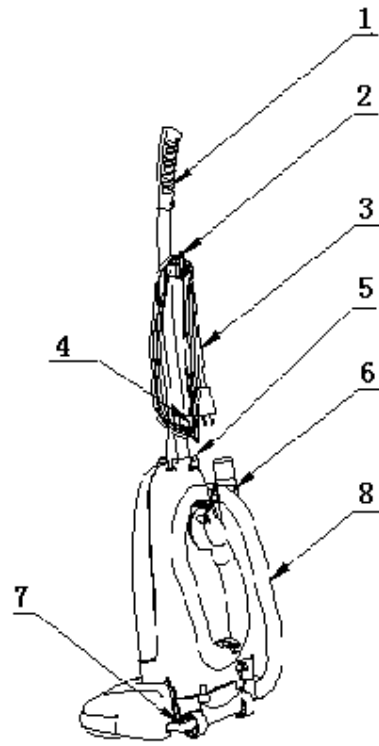
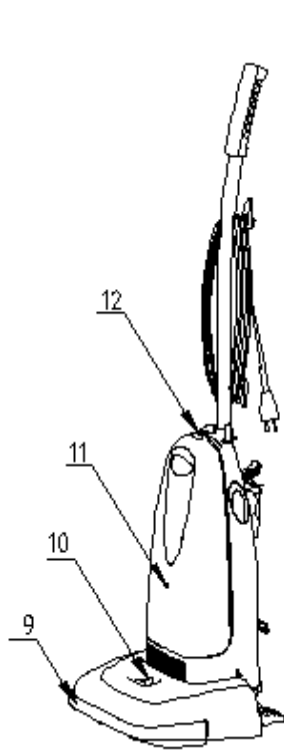
Distributed By:

Dust Care Division of BVC

Smyrna, GA. 30082 USA

MAIN PARTS

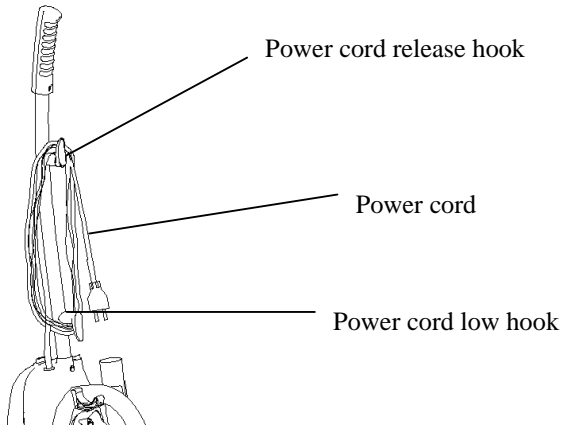
1. HANDLE
2. POWER CORD RELEASE HOOK
3. POWER CORD
4. POWER CORD LOWER HOOK
5. SCREW
6. CREVICE TOOL
7. PEDAL
8. HOSE
9. BUMPER
10. FLOOR/RUG SWITCH
11. FULL BAG INDICATOR
12. FRONT COVER LATCH



Operation Instructions

1. Unloading/loading power cord

Turn the Power Cord Release Hook 180 degrees, take off the cord. (See the illustration)



2. RUG/FLOOR SELECTOR

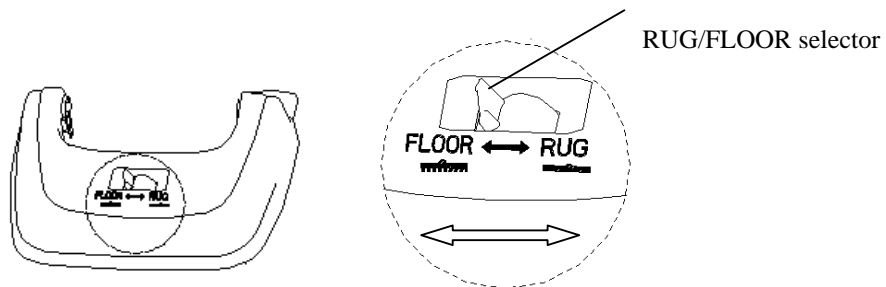
The RUG/FLOOR selector should only be adjusted while the vacuum cleaner is “ON” and in the upright position.

1. When cleaning carpets, slide the selector to the “RUG” position.

2. When cleaning bare floors, slide the selector to the “FLOOR” position.

NOTE:

Make sure The RUG/FLOOR selector is set to either the extreme left or the extreme right to avoid any problems that may occur.

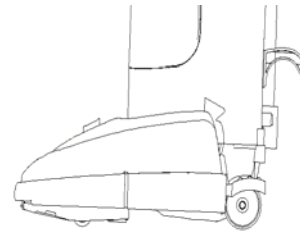


3. HOW TO ADJUST THE HANDLE

The handle of this vacuum cleaner can be set to either of two position-upright and normal. To release the handle, press the pedal at the left rear corner of the vacuum cleaner.

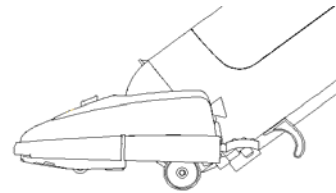
1. Upright position

Normally the handle is locked in this position for storage or when using the On Board Tools. By pushing the handle forward until the handle is locked, this vacuum cleaner will stand on its wheels.



2. Normal position

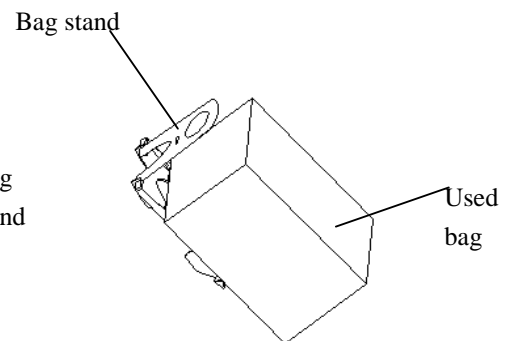
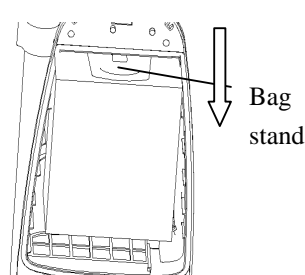
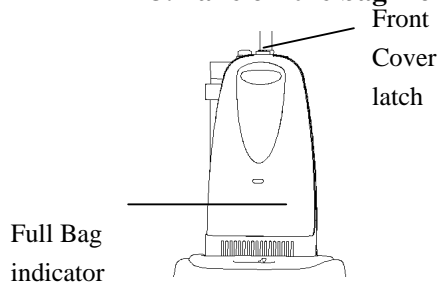
This position is used for normal cleaning.



4. HOW TO CHANGE THE PAPER BAG

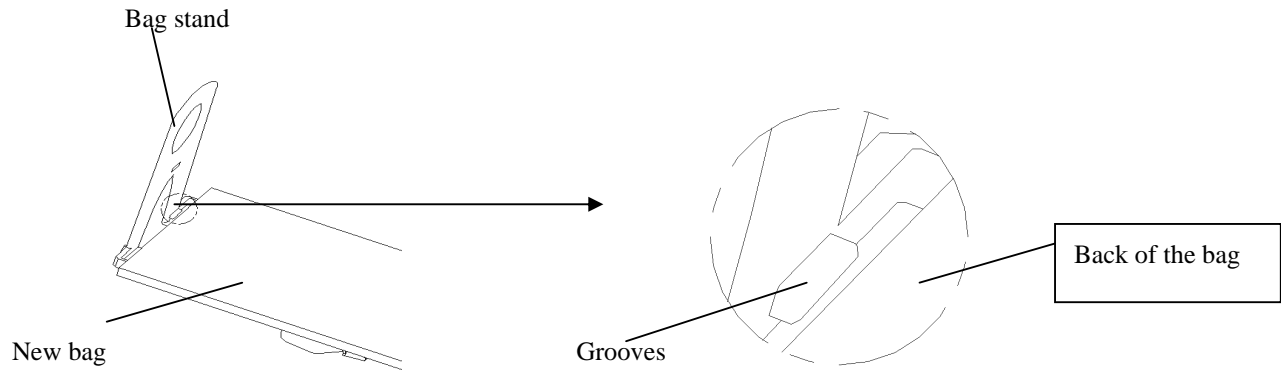
Unload used bag:

1. Take off the front cover by pressing down the Front Cover Latch
2. Pull out bag stand
3. Take off the bag from stand

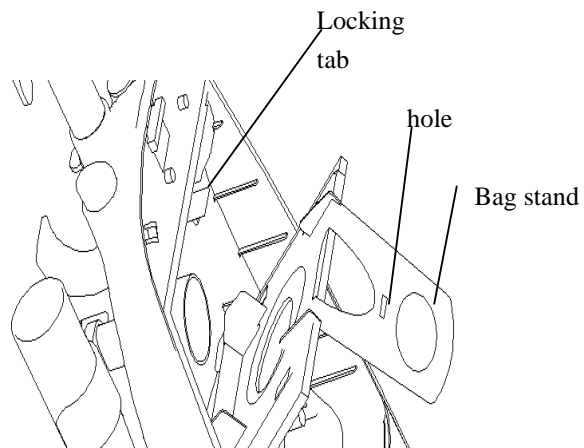


Load new bag:

1. Insert the new bag into the bag stand

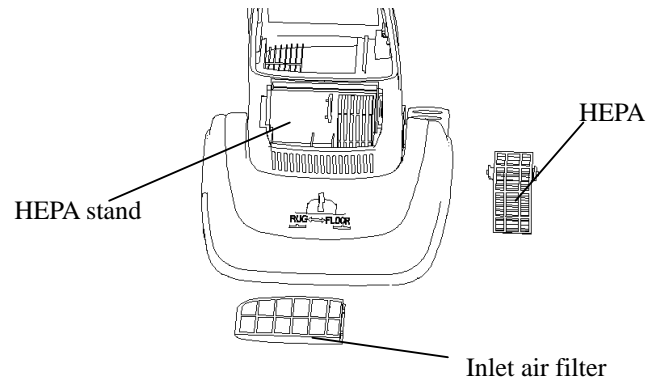


2. Insert the bag stand onto the bag bracket.



5. HOW TO CHANGE THE FILTER

- First unplug the vacuum cleaner from the electrical outlet. Remove the filter with its stand from the bottom of the paper bag housing.
- Make sure that the filter is in place before vacuuming.
- Wash the filter in clean water and use again after it is completely dry.

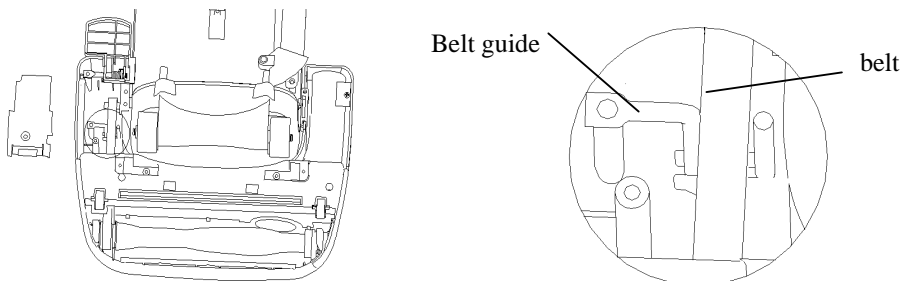


6. HOW TO REPLACE THE BELT

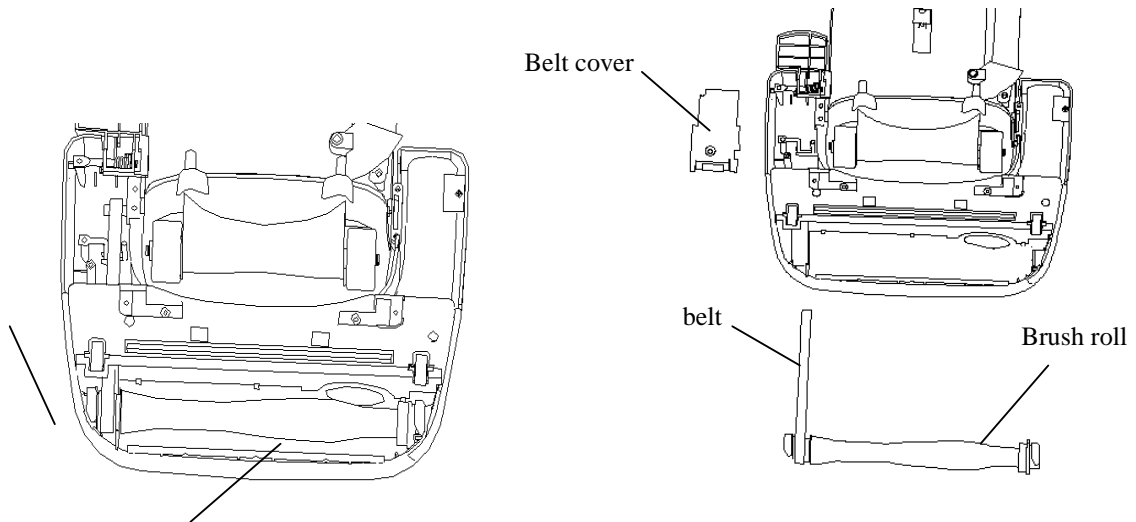
(Unplug the machine before changing the belt)

When replacing the belt, always set the RUG/FLOOR Selector to the “FLOOR” position.

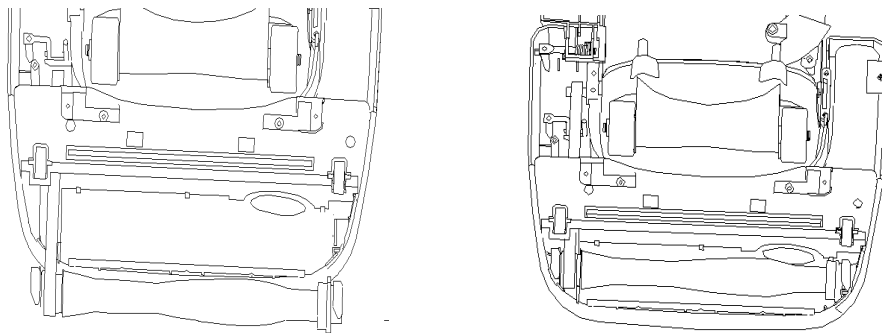
1. After removing the bottom plate, take off the belt cover.



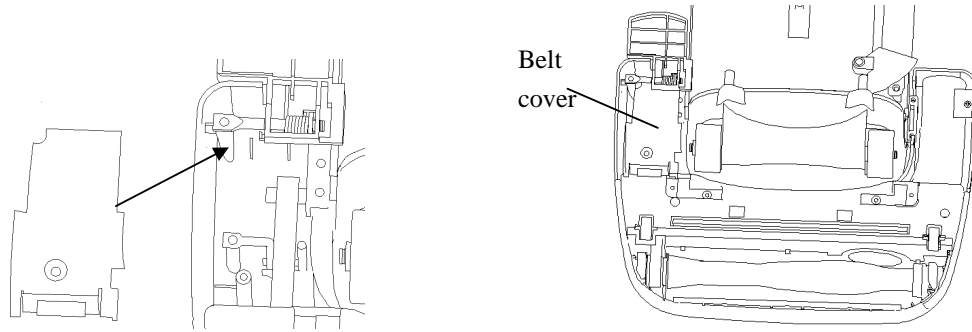
2. Pull out the belt along with the brush roll



3. Push the belt on the brush roll pulley. Take the belt through (underneath) the floor brush section toward motor shaft. Put brush roll in. The two ends of the brush roll need to be in the grooves at the two sides, and then insert the belt onto the motor shaft.

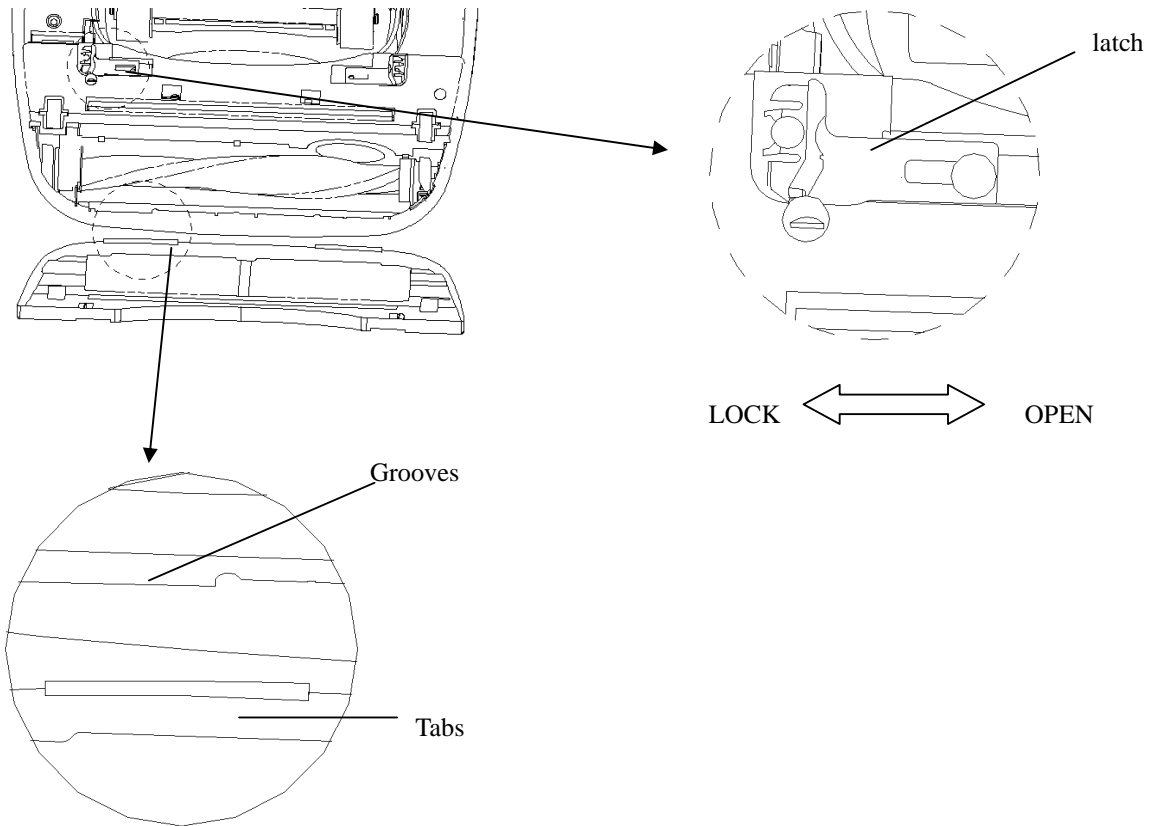


4. Clip the belt cover into the place.



7. HOW TO REPLACE THE BOTTOM PLATE

1. Insert the front of the bottom plate into the grooves at the front end of the nozzle head, then reset the bottom plate.
2. Fasten it by sliding the latch as shown.



8. HOW TO CLEAN THE SUCTION HOSE

When a clog occurs:

1. **Unplug the vacuum cleaner from the electrical outlet. Place the vacuum cleaner in the Upright position**
2. **Hold the connection tube of the suction hose in one hand and the handle in the other. Then pull out the connection tube from the suction pipe of the nozzle head.**
3. **Remove the clog carefully without damaging the suction hose.**
4. **After the clog is removed, insert the suction hose into the suction pipe and turn on the vacuum cleaner to check that clog has been removed.**

