

Operating and installation instructions for vented tumble dryer PT 7136

To avoid the risk of accidents or damage to the machine, it is **essential** to read these instructions before it is installed, commissioned and used for the first time.



Caring for the environment

Disposal of the packing material

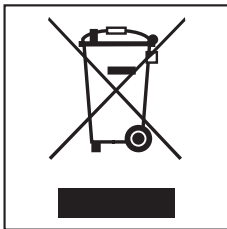
The transport and protective packing has been selected from materials which are environmentally friendly for disposal and can normally be recycled.

Ensure that any plastic wrappings, bags, etc. are disposed of safely and kept out of the reach of babies and young children. Danger of suffocation.

Rather than just throwing these materials away, please ensure they are offered for recycling.

Disposal of your old machine

Electrical and electronic machines often contain materials which, if handled or disposed of incorrectly, could be potentially hazardous to human health and to the environment. They are, however, essential for the correct functioning of your machine. Please do not therefore dispose of it with your household waste.



Please dispose of it at your local community waste collection/recycling centre, and ensure that it presents no danger to children while being stored for disposal.

It should be unplugged or disconnected from the mains electricity

supply by a competent person. Any plug must be rendered useless and the cable cut off directly behind it to prevent misuse. See the "Warning and Safety" section of this booklet for further details.

Energy saving tips

To avoid unnecessarily long drying times and high consumption of energy:

- Make sure that your laundry is thoroughly spun before drying. The higher the spin, the greater the savings that can be made in energy and time during drying.
- Load according to the optimum amount of laundry recommended for the programme being used. Underloading is uneconomical. Overloading gives a poorer quality of drying, and may cause unnecessary creasing.
- Make sure the room in which the dryer is located is well ventilated.
- Remove the fluff from the filter in the fan housing when necessary (see "Cleaning and Care").
- Check all parts of the ventilation system on a regular basis, and remove any build-up of fluff etc.
- The vent ducting should be as short, straight and smooth as possible to minimise any resistance to the air throughflow.

Caring for the environment	2
Disposal of the packing material	2
Disposal of your old machine	2
Energy saving tips	2
Warning and Safety instructions	6
Operating the tumble dryer	10
Control panel	10
Displays	11
Before using for the first time	13
Notes on laundry care	14
Care symbols	14
Tips on drying	14
How to dry correctly	15
Brief instructions	15
Favourite programmes	18
Selecting/changing a favourite	18
Low temperature	20
Saving a favourite programme	20
Timer	21
Programme chart	22
Changing the programme sequence	25
Payment system	25
Cancelling a programme	25
Adding or removing laundry after a programme has started	25

Contents

Cleaning and care	26
Cleaning the fluff filter	26
Removing the filter	26
Taking the filter apart	26
Cleaning the filter whilst dry	27
Cleaning the cartridge filter with water	27
Cleaning the fan housing	27
Replacing the filter	28
Cleaning the tumble dryer	28
Problem solving guide	29
Problem solving guide	29
Fault messages in the display	29
Other problems	31
Changing the lamp	34
After sales service	35
PC / Optical interface	35
Optional accessories	35
Installation and connection	36
View from the front	36
View from the side	37
View from the rear	37
View from above	37
Washer-dryer stack	37
Installation on a concrete plinth	38
Payment system	38
Installation site	39
Transporting the machine to its installation site	39
Levelling the machine	39
Electrical connection U.K.	40

Installation - extraction ducting	41
General	41
To calculate the effective duct length	42
To calculate the effective duct length	42
Calculation example	43
Installation to the rear, left or right hand side of the machine	43
Overview of the different venting systems	44
Ⓐ Venting system with plastic piping	44
Ⓑ Venting system with flexible ducting	45
Ⓒ Connecting directly to a wall vent	47
Technical data	48
Settings menu ▾	50
Language ▾	51
Anti-crease action	51
Buzzer	51
Time of day	51
Display contrast	52
Display brightness	52
Standby	52
Extending the cooling down time	52
Settings/Supervisor level menu	53

Warning and Safety instructions

To avoid the risk of accidents and damage to the machine please read these instructions carefully before using it for the first time. They contain important information on its safety, installation, use and maintenance. Keep these instructions in a safe place and ensure that new users are familiar with the content. Pass them on to any future owner of the machine.

Correct use

The tumble dryer is only intended for drying fabrics which have been washed in a water solution, marked on the manufacturer's care label as being suitable for tumble drying.

"Dry cleaning kits" for freshening up garments in a tumble dryer are increasingly available on the market. If using, do so at your own risk, and follow the instructions provided on the packaging.

Any other applications may be dangerous. The manufacturer is not liable for damage resulting from improper use or operation.

Technical safety

Before setting up the machine, check it for any externally visible damage.

Do not install or use a damaged machine.

Before connecting the machine, ensure that the connection data on the data plate (voltage and connected load) match the mains electricity supply. If in any doubt, consult a qualified electrician.

The electrical safety of this machine can only be guaranteed when continuity is complete between it and an effective earthing system which complies with local and national regulations. It is most important that this basic safety requirement is present and regularly tested, and where there is any doubt the on-site wiring system should be inspected by a qualified electrician. The manufacturer cannot be held liable for the consequences of an inadequate earthing system (e.g. electric shock).

Do not connect the machine to the mains electricity supply by an extension lead. Extension leads do not guarantee the required safety of the machine (e.g. danger of overheating).

The machine is built in accordance with current safety requirements. Unauthorised repairs could result in unforeseen dangers for the user, for which the manufacturer cannot accept liability. Repairs should only be undertaken by a Miele approved technician. Ensure current is not supplied to the machine until after maintenance or repair work has been carried out.

Faulty components must only be replaced by genuine Miele original spare parts. Only when these parts are fitted can the safety standards of the machine be guaranteed.

In countries where there are areas which may be subject to infestation by cockroaches or other vermin, pay particular attention to keeping the machine and its surroundings in a clean condition at all times. Any damage which may be caused by cockroaches or other vermin will not be covered by the machine guarantee.

Warning and Safety instructions

■ If the connection cable is faulty, it must only be replaced with a genuine Miele connection cable.

■ In the event of a fault or for cleaning purposes, the machine is only completely isolated from the electricity supply when:

- it is switched off at the wall socket and the plug is withdrawn, or
- it is switched off at the mains, or
- the mains fuse is withdrawn.

Use

■ This equipment may only be used in mobile installations such as ships, caravans, aircraft etc. if a risk assessment of the installation has been carried out by a suitably qualified engineer.

■ The machine must not be used without vent ducting in place.

■ The dryer must not be used without the fluff filter in place or if the fluff filter is damaged in any way.

■ Check all parts of the ventilation system on a regular basis (e.g. wall pipe, external grille, bends in the ducting etc.), and make sure they are all free of any hindrance. A build-up of fluff will prevent a free flow of air through the system. If the dryer is to be connected to an existing ducting system, this must be checked for suitability beforehand.

■ Adequate ventilation is essential **to avoid the danger of asphyxia and toxic fumes** where another appliance which also uses the room air (e.g. gas,

oil or coal fired heater, continuous flow or other water heater) is installed in the same or an adjacent room.

To ensure safe operation, and to prevent gases given off by these appliances being drawn back into the room, an underpressure of 0.04 mbar is the maximum permissible.

Ventilation can be maintained by:

- air inlets in the external wall which cannot be closed or blocked, or
- by fitting a window contact switch which ensures that the tumble dryer can only be operated when the window is opened wide enough.

If in doubt, the advice of a competent builder must be sought.

■ The exhaust air must not be vented into a chimney or vent flue which is in current use for something else, e.g. a chimney for an open fire, wood burner or operational gas boiler, nor should it be connected to ducting which ventilates rooms with fireplaces. It would be dangerous if smoke or exhaust fumes were drawn back into the room.

Warning and Safety instructions

■ If more than one tumble dryer is being installed using a joint ducting system, each dryer must have its own non-return flap to the joint ducting system.

Otherwise the dryers could be damaged, and the electrical safety of the machines jeopardised.

■ Always keep the area around the machine free of dust and fluff. Dust drawn into the machine can, over time, cause blockages.

■ Do not install the machine in a room where there is a risk of frost occurring. At temperatures around freezing point the machine may not be able to operate properly.

The ambient room temperature should be between +2°C and +35°C

■ **To prevent the risk of fire, the following textiles must not be dried in this machine:**

- fabrics which contain a large proportion of rubber, foam rubber or rubber-like materials.
- items which contain padding or fillings (e.g. pillows, jackets).
- items which have been treated with inflammable cleaning agents.
- items which have been splashed with hair lacquer, hair spray, nail varnish remover or similar substances.
- items which have been soiled with oils or residues containing grease (e.g. kitchen oil, cosmetics etc.).
- items soiled with wax or other chemicals (e.g. mops and floor cloths).

- items which have not been thoroughly cleaned and which are still soiled with grease or oil, e.g. workwear. Such clothing may require a heavy duty detergent to get them clean. If necessary consult the detergent manufacturer for advice.

■ Do not let anyone sit or lean on the door, as this can cause the machine to tip up.

■ Always close the door after use. This way you will avoid the danger of:

- **children** climbing into the dryer or hiding things inside it.
- **pets** climbing into it.

Warning and Safety instructions

■ For machines with stainless steel surfaces:

The stainless steel surfaces must not come into contact with liquid cleaning and disinfecting agents which contain chlorine or sodium hypochlorite. These agents can have a corrosive effect on stainless steel.

Aggressive vapours containing chlorine can also be corrosive.

Do not store containers of these agents near the machine.

Safety with children

■ This machine is not a toy! To avoid the risk of injury do not allow children to play on or near it or to play with the controls. Supervise its use by the elderly or infirm, and supervise children whilst you are operating the machine.

Using accessories

■ Accessory parts may only be fitted when expressly approved by Miele. If other parts are used, guarantee, performance and product liability claims may be invalidated.

Disposal of your old machine

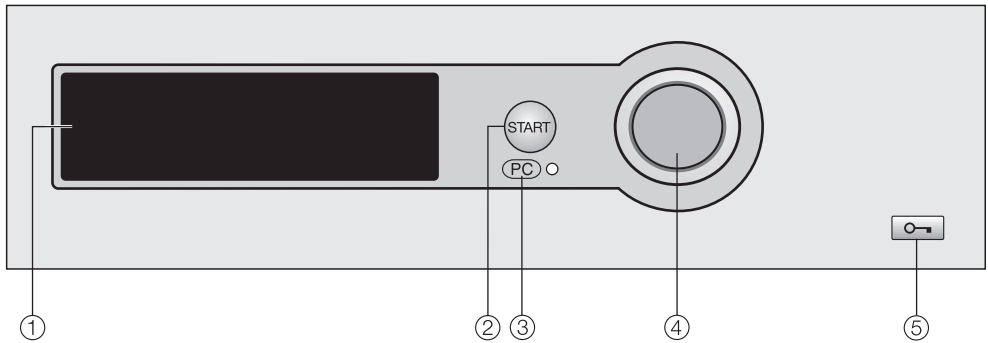
- Before discarding an old machine, disconnect it from the mains supply, or switch off at the wall socket and unplug it.
- To prevent the risk of misuse, render any plug useless and cut off the cable directly behind the machine. Make the door lock unusable.

This should be done by a competent person.

- The manufacturer cannot be held liable for damage caused by non-compliance with these Warning and Safety instructions.

Operating the tumble dryer

Control panel



① **Display**

See the following pages for more information.

② **Start button**

③ **PC / Optical interface**

This is used by service technicians to run diagnostic checks on your machine and can also be used to update programming data in the future.

④ **Multi-function selector**

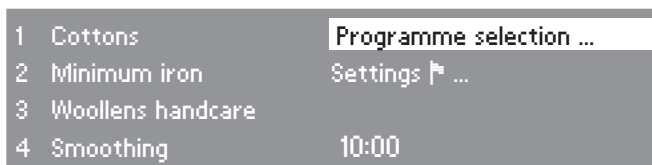
This is used to select menu options (by turning it) and to confirm your selection (by pressing it).

⑤ **Key button**

Opens the door.

Displays

Entry menu



When the machine is switched on, the entry menu with 4 favourite programmes (factory default settings which can be changed) will appear with *Programme selection* highlighted.

Multi-function selector

Turning the multi-function selector moves the highlighting to the next option.

Pressing the multi-function selector selects the highlighted option.

Programme selection

There are two ways of selecting a programme:

Option 1:

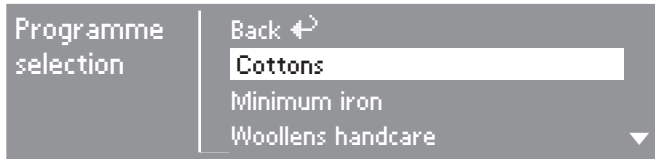
- Select the *Programme selection* menu in the display and confirm your selection by pressing the multi-function selector.

Option 2:

- Select one of the four programmes on the left hand side of the display. These are favourite programmes which you can set to suit your individual requirements or replace with other programmes of your choice (see "Favourite programmes" for more details).

Operating the tumble dryer

Programme selection menu



- By turning the multi-function selector you can select any programme. The highlighting will move up or down depending on the direction the multi-function selector is turned in.

The ▲ ▼ arrows on the right of the display indicate the direction and further options.


- Pressing the multi-function selector takes you to the **main menu** of the drying programme selected.

Drying programme main menu



- Turn the multi-function selector to highlight either the "Drying level" or the "Programme".
 - Everything in the display (including *Low temp.*, *Timer*, *Save*, *Back*) can be highlighted and then confirmed by pressing the multi-function selector.

Settings menu

The *Settings* menu  is used to alter the tumble dryer's electronics to suit different requirements.

Before using for the first time

Before using the machine for the first time ensure that it is correctly installed and connected. See "Installation and connection".

Welcome screen

When the tumble dryer is switched on for the first time, the welcome screen will appear.

The welcome screen will not appear again once a programme lasting longer than 1 hour has been completed.

After a few seconds the display will change to the screen for setting the language.

Language

- Select the language you want and confirm your selection.




Setting the time of day

- Set the hour with the multi-function selector and confirm this setting. Then set the minutes. Confirm the selection again to save the time of day in memory.

Notes on laundry care

Care symbols


Before drying check the drying symbol on the care label. If there are no symbols, dry at your own risk!

-  Dry at normal temperature
-  Dry at a low temperature
-  Do not tumble dry

Tips on drying

Always observe the maximum recommended loads given in the "Programme chart". Never overload the drum.

Overloading can cause unnecessary wear and tear to the laundry, give a disappointing drying result and cause more creasing.

- Down-filled garments have linings which have a tendency to shrink, depending on the quality of the item. They can be partially dried using the *Smoothing* programme.
- Pure linen should only be machine dried if specified as suitable by the manufacturer on the care label, as the surface of the fabric may otherwise become rough. They can be partially dried using the *Smoothing* programme.
- Loopknit garments (e.g. T-shirts and underwear) tend to shrink depending on their quality. Do not over-dry these textiles. When purchasing these garments it is advisable to take their shrinkage properties into account.
- Minimum iron fabrics and 100% cotton shirts or blouses tend to crease more, the larger the load, particularly when the weave of the fabric is very fine. Reduce the load or use the *Shirts* programme.
- Starched laundry can be dried in the tumble dryer. To achieve the usual finish, double the amount of starch should be used.
- New dark coloured garments should be washed and dried separately from light coloured garments to avoid the danger of colours running and discolouring other garments or even plastic components in the machine. Dark coloured fibres can also settle on light coloured garments and vice versa.
- Do not put soaking wet items into the tumble dryer. Spin them thoroughly after washing using the appropriate spin speed.
- For delicates and fabrics with the following care label  select *Low temperature*.
- Open jackets so that they can dry evenly.
- Woollens and wool blends tend to become matted and shrink if dried in a tumble dryer. They can, however, be "fluffed up" using the *Woollens handcare* programme.


Brief instructions

The headings numbered (1, 2, 3 ...) show the operating sequence and can be used as a brief guide to using your machine.

1 Sort the laundry


To ensure an even drying result separate out the washed laundry and sort it according to:

- ... the drying level required
- ... the type of fibre or weave
- ... size
- ... the moisture content after spinning.

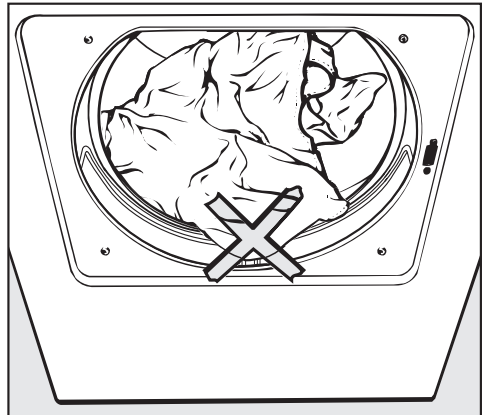
 Make sure that objects e.g. detergent dispensing balls have been removed from the laundry. They could melt, and cause damage to the dryer or the laundry.

- Check seams and stitching to ensure that padding and linings are intact.
- Fasten duvet covers and pillow cases to prevent small items from being trapped inside them.
- Fasten zips, hooks and eyes etc.
- Tie fabric belts and apron strings.
- Sew in or remove underwiring from bras.

2 Load the tumble dryer

- Press the  button to open the door.
- Load the laundry loosely into the drum.

Do not overload the drum. See the "Programme chart" for recommended loads for each programme. Overloading can cause unnecessary wear and tear to the laundry and give a disappointing drying result.



Check the laundry is right inside the drum so that it cannot get trapped or damaged when the door is shut.

- Shut the door either with a gentle swing, or lean against it and push it shut.

How to dry correctly

③ Select a programme

You can select a programme either by:

- selecting a favourite programme, or
 - by going into the *Programme selection* menu.
- If required, you can then select *Low temperature* and/or the *Timer* (Delay start time) from the relevant sub-menu.

Please note that the programme duration shown in the display may vary according to the programme selected (see "Estimated time remaining").

The *Start* button will flash as soon as a programme can be started.

Payment systems

If your machine has a payment system, the amount of credit required will appear in the display.

Credit will be lost if the door is opened or the programme cancelled after it has started.

④ Start the programme

- Press the *Start* button.

The *Start* button will light up.

- *Programme start* will appear in the display, followed by *Drying* and the programme duration.
- With sensor drying programmes the drying level reached, e.g. *Machine iron ... Hand iron...* etc., will appear in the display later on.

You can select the following while drying is in progress:

- *Timer* to call up the current time of day and the estimated end time of the programme.
- *Save* to save the current programme as a favourite.
- *Cancel* to cancel the current programme.

Estimated time remaining

When a programme is selected the estimated drying time will appear in the display. Please be aware that it is only an estimate!

The following factors all affect the estimated time remaining: residual moisture content after spinning; type of fabric; size of load; room temperature; fluctuations in power supply.

The electronics continually assess conditions in the machine and adjust the estimated time remaining for a more accurate reading. Because of this the time displayed can alter during the course of a programme.

In the same way, the *Woollens handcare* and *Smoothing* programmes can finish earlier than expected if a certain temperature is reached. This can happen with particularly fine fabrics or if items were partly dry beforehand.

Before the end of a programme

There is a cooling down phase at the end of the drying sequence: *Cooling down* will appear in the display. The programme will not finish until the cooling down phase has been completed.


There is no cooling down phase at the end of the following programmes: *Woollens hand care*, *Smoothing*.

At the end of a programme

Anti-crease action (if selected) and *Finish* will appear in the display at the end of the programme.

During the anti-crease phase (if selected) the drum will turn at intervals for an hour to help prevent creasing.

5 Remove the laundry

- Press the  button to open the door.
- Remove the laundry.

Check that all items have been removed from the drum. If items are left in the dryer, they could be damaged by overdrying when the dryer is next used.

The drum lighting will come on when the door is opened. It will go out a few minutes later to save energy.

- Close the door.

Maintenance after each drying programme

- Please see "Cleaning and care" for details.

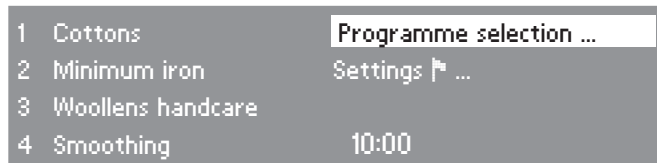
Favourite programmes

You can programme your four most frequently used drying programmes to appear in the left hand side of the display. The *Save* option must be activated via the *Settings/Supervisor level* menu before they can be programmed. This must be done by a Miele service technician.

Selecting/changing a favourite

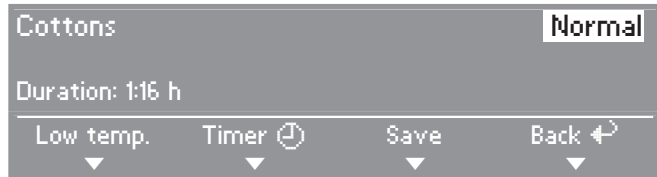
- Close the door.

Entry menu



- Use the multi-function selector to select the programme you want and confirm your selection.

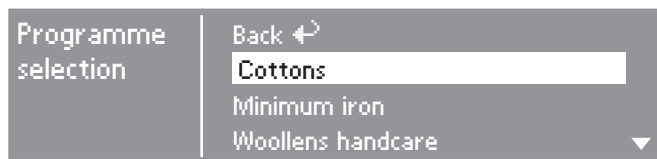
Main menu



- You can highlight the programme (*Cottons*) or the drying level again (*Normal*) by turning the multi-function selector.
- Confirm your selection of the part you want to change by pressing the multi-function selector once.

Depending on the option highlighted, the following will be displayed:

– Programme selection



- Use the multi-function selector to select the programme you want and confirm your selection.

Favourite programmes

Important: If you do not make a selection in the sub-menu within approx. 20 seconds, the display will revert to the main menu.

– Drying levels programme



- Use the multi-function selector to select the drying level you want and confirm your selection.
- The display will show which drying levels can be selected for each individual programmes.

– Warm air, Cool air programmes



- You can use the multi-function selector to increase (up to a max. of 2 h *cold*/1h *warm*) or decrease the duration.

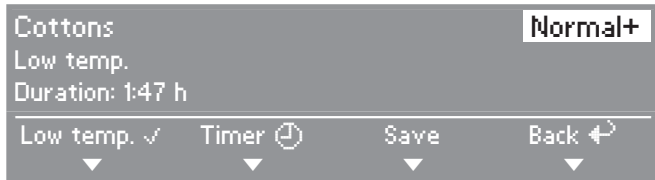
The programme end time for the duration selected will also appear.


– Other programmes

You cannot alter the drying level or duration for the other programmes.

Favourite programmes

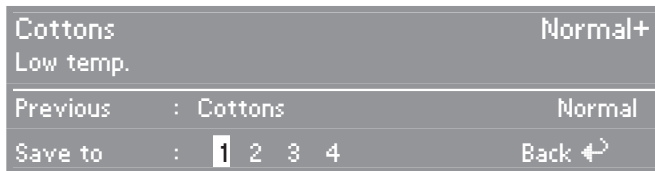
Low temperature



- Select *Low temperature* for all delicate or minimum iron fabrics with the  care label (e.g. acrylic garments).
 - Delicate fabrics are dried at a lower temperature.
 - The programme duration is longer.

Saving a favourite programme

- Select *Save*.

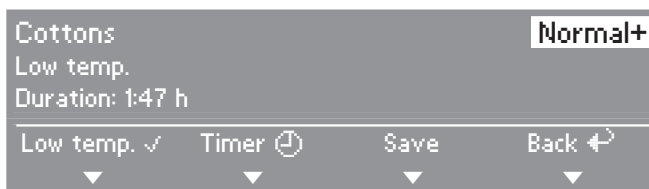


- Use the multi-function selector to select the number you want and confirm your selection. Your settings have now been saved with the favourite programme and will appear in the Entry menu.

Repeat the procedure if you want to customise other favourite programmes, and save them to short cut buttons which have not yet been used.

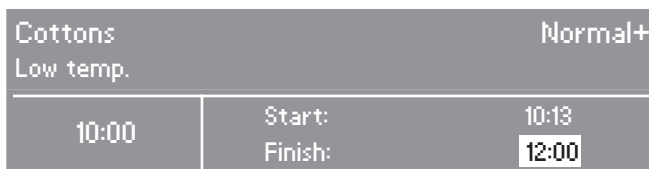
The timer can be used to select when you want the programme to end (if this option has been activated by a Miele service technician). The programme start can be delayed to start automatically in 30 minute intervals up to a maximum of 24 hours.

To open the Timer sub-menu



- Select *Timer*. This opens the *Timer* sub-menu.

To select a delay start time



- Use the multi-function selector to select the programme end time and confirm your selection.

The programme end time will be adjusted to the next full or half hour. Once the end time has been entered, the start time of the programme will also appear.




To start the timer

- Press the *Start* button.
The timer will count down in minutes until the start of the programme. If the delay start time selected is more than one hour, the drum will turn briefly every hour to prevent creasing.

To cancel the timer

- Select *Cancel* and *Back*.

Programme chart


Cottons		Max. load: 6.5 kg*
Extra dry, Normal+, Normal**		
Fabric type	Single and multi-layered cotton fabrics such as towelling, jerseywear, underwear, flannelette bed linen.	
Notes	<ul style="list-style-type: none"> – Select Low temperature for fabrics with the  symbol. – Select <i>Extra dry</i> for multi-layered and very thick fabrics. – Do not use <i>Extra dry</i> for jersey fabrics as they have a tendency to shrink. 	
Hand iron Δ, Hand iron $\Delta\Delta$ **, Machine iron		
Fabric type	Cottons or linen fabrics, e.g. table linen, bedlinen, starched laundry.	
Notes	<ul style="list-style-type: none"> – Select Low temperature for fabrics with the  symbol. – To prevent laundry from drying out it should be rolled up until you are ready for ironing. 	
Minimum iron		Max. load: 3.5 kg*
Normal+, Normal**, Hand iron Δ		
Fabric type	Minimum iron items made of cotton, synthetic or blended fabrics, e.g. shirts, blouses, skirts and table cloths.	
Notes	<ul style="list-style-type: none"> – Select Low temperature for fabrics with the  symbol. – Select <i>Hand iron</i> for delicate fabrics and to reduce creasing even more, reduce the load to 1.5 kg*. – In the Minimum iron <i>Hand iron</i> programme, items are dried with very little creasing, depending on fabric type and amount of laundry. 	

* Weight of dry laundry

** Note for test institutes:

Use this programme without selecting Low temperature when testing according to EN 61121 Standard.

Programme chart

Woollens hand care		Max. load: 2.5 kg*
Fabric type	Woollen fabrics.	
Notes	<ul style="list-style-type: none"> – To refresh and fluff up woollen garments quickly. Woollen fabrics are not dried completely by this programme. – Remove garments as soon as the programme has finished and leave to finish drying at room temperature. 	
Smoothing		Max. load: 3.0 kg*
Fabric type	<ul style="list-style-type: none"> – Cotton and linen fabrics. – Minimum iron items made of mixed fibres, cottons or synthetics, e.g. trousers, jackets, shirts. 	
Notes	<ul style="list-style-type: none"> – Smooths out creasing caused during the spin cycle in the washing machine. – Fabrics are not completely dried in this programme. Remove garments as soon as the programme has finished and leave to finish drying at room temperature. 	
Cool air		Max. load: 6.5 kg*
Fabric type	Any item which only needs airing.	
Warm air		Max. load: 6.5 kg*
Fabric type	<ul style="list-style-type: none"> – "Voluminous" or multi-layered fabrics whose layers have different drying characteristics, e.g. jackets, pillows. – For drying individual items, e.g. bath towels, bathing costumes, tea-towels. 	
Notes	<ul style="list-style-type: none"> – Select Low temperature for fabrics with the  symbol. – Do not select the longest drying time to start with. Check the items as you are drying them to find the optimum time. 	

* Weight of dry laundry

Programme chart

Denim		Max. load: 3.5 kg*
Normal, Hand iron Δ		
Fabric type	Denim fabrics, e.g. jeans, jackets, skirts, shirts.	
Shirts		Max. load: 2.5 kg*
Normal, Hand iron Δ		
Fabric type	Shirts and blouses.	
Outerwear		Max. load: 3.5 kg*
Normal, Hand iron Δ		
Fabric type	Outerwear which is suitable for drying in a tumble dryer.	
Proofing		Max. load: 2.5 kg*
Fabric type	For drying microfibre fabrics, skiwear, fine, closeweave cotton garments (poplin) or tablecloths which are suitable for drying in a tumble dryer and have been treated to provide a water and dirt resistant finish.	
Notes	<ul style="list-style-type: none"> – This programme includes a proofing fixing phase. – Only use proofing agents which are stated by the manufacturer as being "suitable for use on membrane textiles" as these contain fluorochemical compounds. – Do not dry items which have been treated with proofing agents containing parafin. Fire hazard! 	
Towelling		Max. load: 2.5 kg*
Normal +		
Fabric type	Single and multi-layered towelling items, e.g. towels, bath robes, terry sheeting.	

* Weight of dry laundry

Changing the programme sequence

Payment system


If your machine is fitted with a payment system, opening the door or cancelling the programme after it has started may cause loss of credit*.

* A Miele service technician can re-set the payment system so that programming changes can be made within a specified time period.


Cancelling a programme


- Select *Cancel*.

The items will be cooled down. *Finish* will appear in the display if you confirm *Cancel* again.

- Press the  button.
- Open the door.
- Close the door.
- Select a different programme.

Adding or removing laundry after a programme has started

- Press the  button.
- Open the door.

 Do not touch the back of the drum when adding or removing items. The drum could be very hot - danger of burning.

- Add or remove items.
- Close the door.


To continue drying

- Press the *Start* button.

The time left shown in the display may now vary from the actual drying time.

Cleaning and care

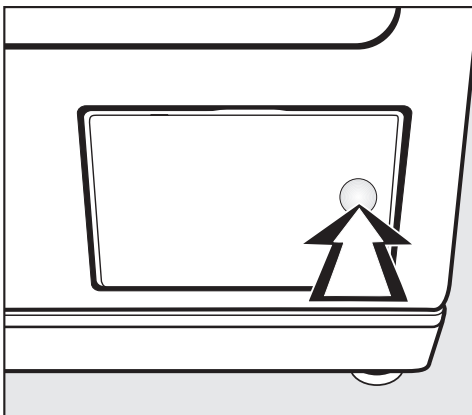
Cleaning the fluff filter

 The fluff filter should be checked and cleaned regularly, but always clean immediately if the *Clean filter* or *Clean out airway* message shows in the display.

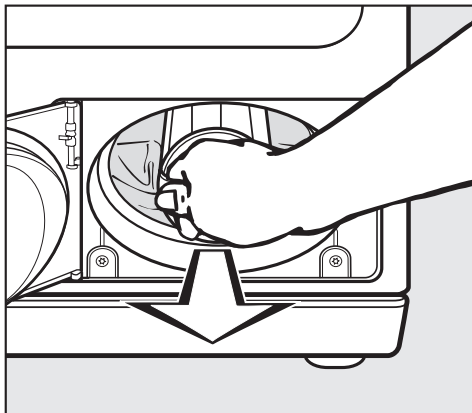
Fluff from items being dried is collected by a two-part cartridge fluff filter which needs to be removed and taken apart for cleaning.

Useful tip: You can also use a vacuum cleaner to remove the fluff.

Removing the filter

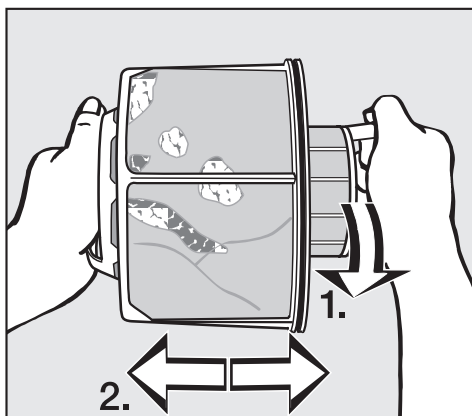


- Press on the right hand side of the access panel to the filter housing to open it.



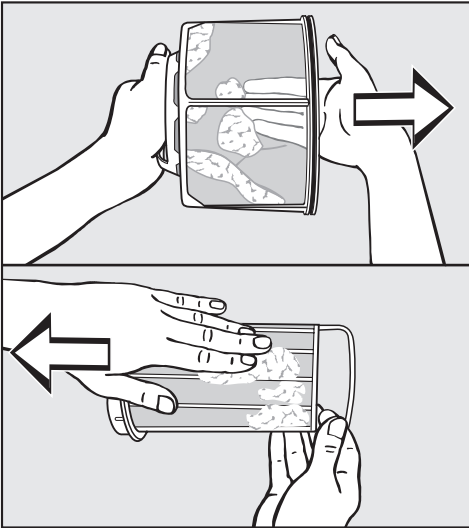
- Pull the filter out by the handle.

Taking the filter apart



- Holding the filter firmly by the handles on either side, twist the inner filter anti-clockwise as shown (1).
- Pull the two sections of the filter apart as shown (2).


Cleaning the filter whilst dry



- Use your fingers or a vacuum cleaner to remove the fluff from the two sections of the filter.

Cleaning the cartridge filter with water

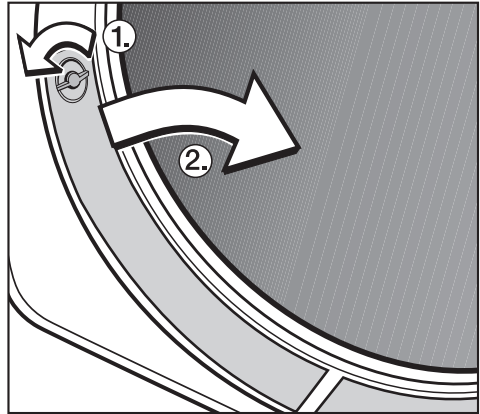
If there is a great deal of compacted fluff on either part of the filter, they can be cleaned under hot running water.

 Dry the two sections thoroughly before reassembling them. A damp or wet filter could cause operational faults when the dryer is switched on.

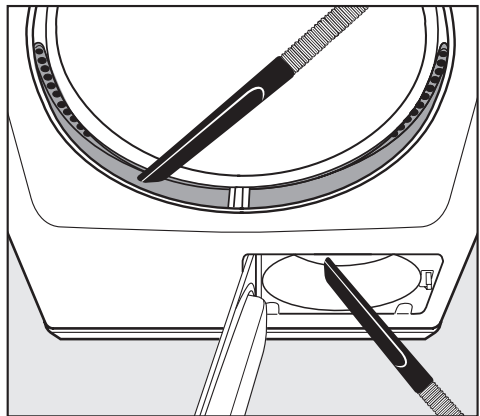
Cleaning the fan housing

The fan housing should be checked regularly, and **only** cleaned when there is a great deal of fluff there.

- Open the door.



- Turn the catches ① on the left and right covers until you hear them click.

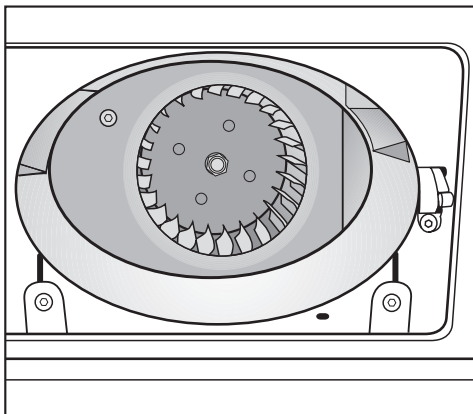


- Holding the catches, pull the covers towards the middle and out as shown ②, and clean them.
- A vacuum cleaner can be used to remove the fluff.

Cleaning and care

- Replace the covers in the door opening by first inserting them at the bottom and then pressing them into place at the top.
- Turn both catches shut (you will hear them click).

The fan behind the filter can become clogged with detergent residues and fluff.



- Using a damp cloth, carefully clean . . . any residues on the fan . . . the fluff from around the fan . . . the fluff from inside the access panel. Take care not to damage the rubber seal.

Replacing the filter

- Reassemble the inner and outer sections of the filter.
- Slowly turn the inner section of the filter clockwise until it you hear it click.

- Holding the filter by the handle, push it into its housing as far as it will go. The handle on the inner section of the filter can be turned to enable the filter to be replaced and removed comfortably.
- Close the access panel.

Cleaning the tumble dryer

⚠ Disconnect the machine from the mains electricity supply.

⚠ Do not use solvents, abrasive cleaners, glass cleaners or all-purpose cleaners. These could damage plastic surfaces and other parts.

⚠ The machine must never be hosed down.

- Clean the housing and the control panel with a slightly damp cloth and a mild detergent or soapy water.
- The drum and other stainless steel parts can be cleaned with a suitable proprietary stainless steel cleaner following the manufacturer's instructions.
- Dry all parts with a soft cloth.

E-Cloth



A microfibre "E-Cloth" is available from the Miele UK Spare Parts Department, which is suitable for cleaning surfaces such as stainless steel, glass, plastic and chrome without the use of chemicals. It can be washed 300 times.

Problem solving guide



With the help of the following notes minor faults in the performance of the appliance, some of which may result from incorrect operation, can be put right without contacting the Service Department.

Repair work to electrical appliances should only be carried out by a suitably qualified person in accordance with local and national safety regulations. Repairs and other work by unqualified persons could be dangerous. The manufacturer cannot be held liable for unauthorised work.

Fault messages in the display

Problem	Possible cause	Remedy
 Adjust the load	<p>This is not a fault.</p> <p>The electronic unit has recognised that there is no laundry in the drum and cancelled the programme.</p> <p>Drying individual garments or items which are already dry can also cause the programme to be cancelled.</p>	<p>Use the Warm air programme (timed drying) to dry individual items.</p> <p>To delete the fault message:</p> <ul style="list-style-type: none"> – Open the door.
 Technical Fault	<p>No obvious cause.</p> <p>In some circumstances, <i>Clean the airways</i> will have appeared in the display already.</p>	<ul style="list-style-type: none"> – See next page: <i>Clean the airways</i>. <p>To delete the fault message:</p> <ul style="list-style-type: none"> – Confirm with <i>OK</i>.
	<p>There is a fault, if despite doing this, the programme is cancelled and the fault message appears again.</p>	<p>Contact the Miele Service Department.</p>

Problem solving guide

Problem	Possible cause	Remedy
The following appears at the end of the programme: Clean filter	The dryer is reminding you that the filter needs cleaning.	<ul style="list-style-type: none"> – Remove and clean the filter. To delete the fault message: – Confirm with <i>OK</i>.
	You can adjust the setting which controls when or if the message <i>Clean the filter</i> appears.	<ul style="list-style-type: none"> – See "Settings menu , Cleaning the filter".
Clean the airways	The dryer is not working efficiently or economically. Possible cause: The fluff filter is clogged with fluff or with detergent residues.	<ul style="list-style-type: none"> – Check all possible causes given below under "The drying process goes on too long or even switches off." To delete the fault message: – Confirm with <i>OK</i>.
	The vent ducting may be very long, which does not constitute a fault.	If very long ducting is used, then programme times will be longer and energy consumption higher.
		You can adjust the setting which controls when or if the message <i>Clean the airways</i> appears. <ul style="list-style-type: none"> – See "Settings menu , Clean the airways".
Programme finish time changed	This is not a fault.	In the period between selecting Delay start and the programme starting, the settings were changed or there was a power cut.


Problem solving guide

Other problems		
Problem	Possible cause	Remedy
The drying process goes on too long or even switches off.	In some circumstances the following message also appears: <i>Clean out airways.</i> Please check all possible causes, and open and shut the dryer door.	
	Ventilation to the dryer is insufficient (e.g because it is installed in a room which is too small).	Open a door or window while the machine is in operation for increased air flow.
	The fluff filter is blocked.	Remove any fluff.
	The vent ducting or the ventilation outlet is blocked.	<ul style="list-style-type: none"> – Check all parts of the vent ducting system on a regular basis (e.g. wall pipe, external grille, bends in the ducting etc.) and make sure they are all free of any hindrance. – Remove any fluff.
	The laundry has not been spun sufficiently.	Make sure that your laundry is thoroughly spun at the appropriate spin speed.
	The tumble dryer has been overloaded.	Do not exceed the maximum load for the programme selected.
	Metallic components, e.g. zips, have prevented the dryer from registering the correct moisture level in the laundry.	<ul style="list-style-type: none"> – Open zips next time. <p>If the problem occurs again, dry garments with long zips using the Warm air programme.</p>
The laundry is not sufficiently dry.	The load consisted of different fabrics.	<ul style="list-style-type: none"> – Finish drying using the Warm air programme. – Select a different programme next time (see Programme chart).

Problem solving guide

Problem	Possible cause	Remedy
There is condensed water in the drum.	The dryer has been connected to a joint ducting system, and the non-return flap is not working properly.	<ul style="list-style-type: none">– The dryer must only be connected to a joint ducting system if a non-return flap is in place.– Check the non-return flap regularly for damage, and exchange it if necessary.
Items made of synthetic fibres are charged with static electricity after drying.	Synthetic fibres tend to attract static charge.	Static charge can be reduced by adding a fabric conditioner to the final rinse in the washing programme or a fabric conditioner sheet to the load when drying.
There is a build-up of fluff.	Fluff is principally the result of friction when garments are being worn and washed. Machine drying hardly causes any fluff to form and has been established by research institutes to have no appreciable effect on the lifetime of the garment.	Fluff is collected by the fluff filter and can be easily removed (see "Cleaning and Care").

Problem solving guide

Problem	Possible cause	Remedy
The programme does not start and the display is dark.	No obvious cause.	<ul style="list-style-type: none"> – Is the dryer switched on? – Is the door closed properly? – Has the fuse or circuit breaker tripped?
The interior drum lighting does not come on.	The lighting switches off automatically (to save energy).	It will switch on again after the door has been closed and then opened.
	The lamp needs changing.	Change the lamp as described at the end of this section.
The display is in a different language.	A different language has been selected in the Settings - Language  menu.	Set the language you want. The flag symbol will guide you.
The <i>Start</i> button light will flash when a programme is being selected.	<p>This is not a fault.</p> <p>The flashing indicates that a programme can be started.</p>	After the programme has started, the flashing will change to a constant light.
The display is dark and the light ring around the multi-function selector is not lit up. The <i>Start</i> button is flashing slowly.	The display has switched off automatically to save energy (Standby mode).	The display and the multi-function selector will light up when one of the buttons is pressed.
	The lighting is defective if it does not come on when one of the buttons is pressed.	Contact the Miele Service Department.

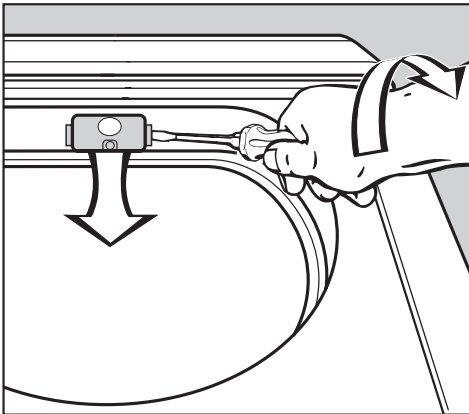
Problem solving guide

Changing the lamp

Disconnect the machine from the mains electricity supply.

- Open the door.

You will find the interior lamp cover at the top of the drum aperture.



- Insert a suitable tool, such as a wide bladed screwdriver, under the side edge of the lamp cover as illustrated.
- Apply a little pressure and whilst doing so turn your wrist in the direction of the arrow to open the cover.

The cover will open downwards.

The temperature resistant lamp should only be ordered from your Miele dealer or the Miele Spare Parts Department.

The lamp specification and maximum wattage is stated on the data plate and on the lamp cover.

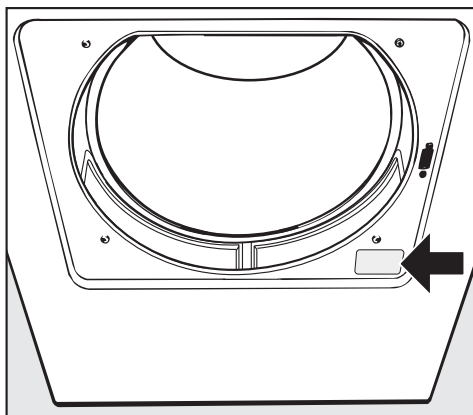
- Replace the lamp.
- To close the cover push it upwards and press it on the left and right until you hear it click into position.

⚠ Ensure that it is fitted into position securely, as any moisture could cause a short circuit.

In the event of any faults which you cannot remedy yourself, or if the machine is under guarantee, please contact

- your Miele dealer, or
- the Miele Service Department (see back cover for contact details).

When contacting the your dealer or the Service Department, please quote the model and serial number of your machine, both of which are shown on the data plate situated on the right hand side below the drum aperture.



PC / Optical interface

The indicator or check light marked **PC** on the fascia panel is the interface used by Miele service technicians during servicing work for testing purposes and for undating the machine's programme data.

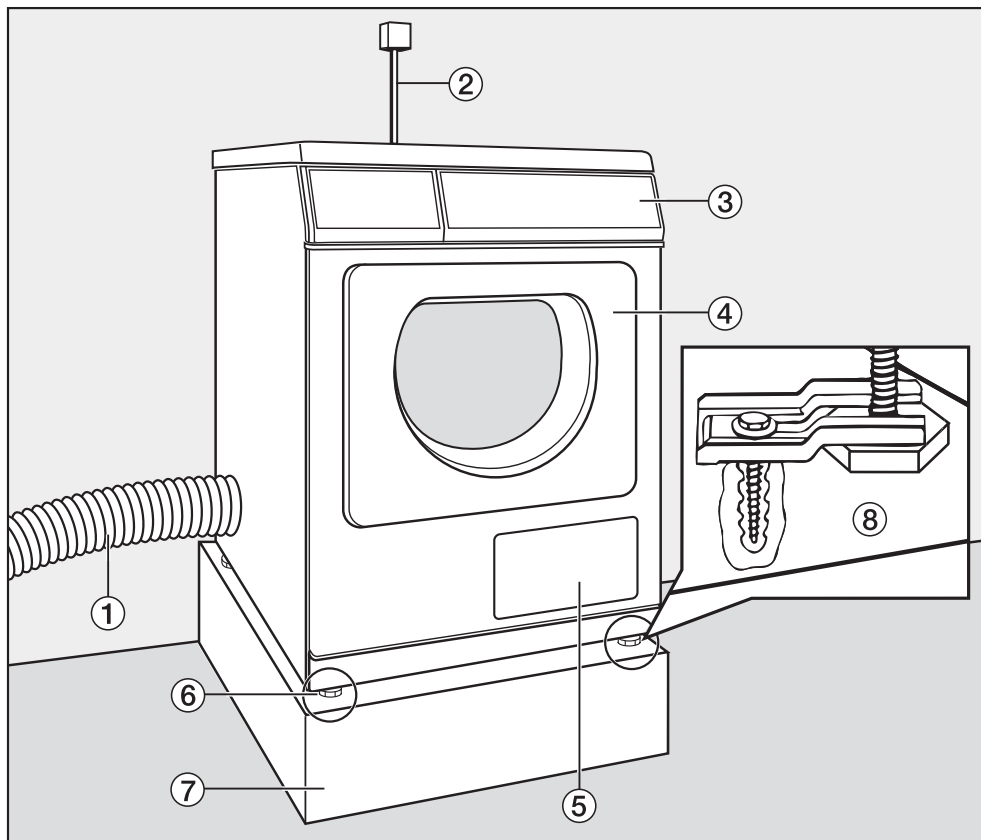
Optional accessories

Optional accessories for this dryer are available from your Miele Dealer or from the Miele Spare Parts Department.

Please note that telephone calls may be monitored and recorded for training purposes.

Installation and connection

View from the front



① Vent ducting

② Mains connection cable

③ Control panel

④ Door

⑤ Access panel to fluff filter

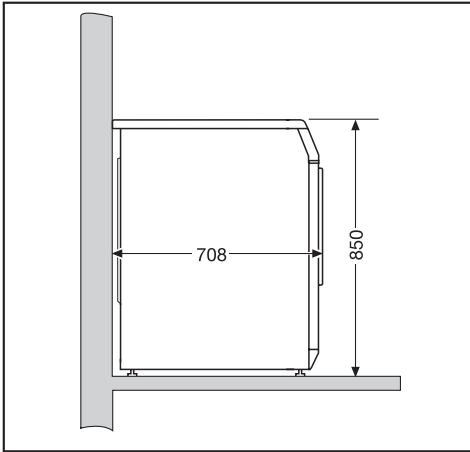
⑥ Four height adjustable screw feet

⑦ Plinth

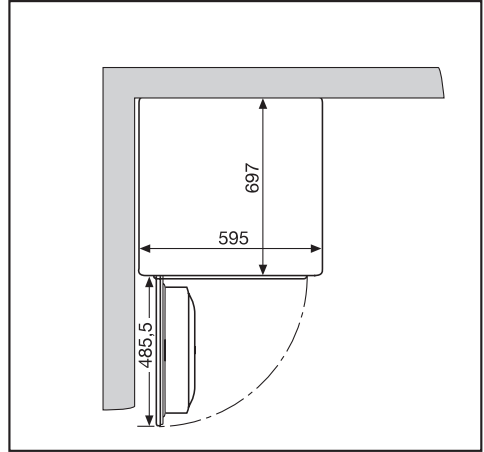
⑧ Clamps (for installing the machine on a concrete plinth)

Installation and connection

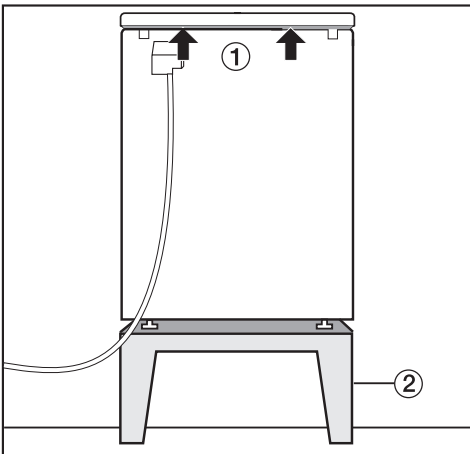
View from the side



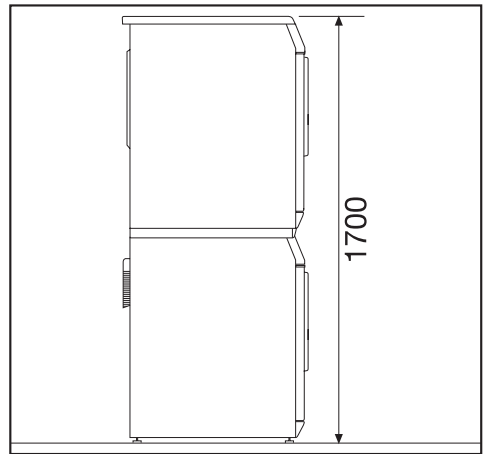
View from above



View from the rear



Washer-dryer stack

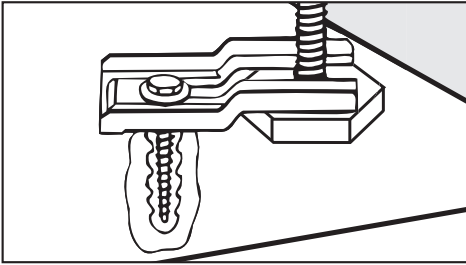


- ① Protruding lid edge (see arrows) for holding when moving the machine
- ② Steel plinth base (optional accessory, available open or closed)

The tumble dryer can be combined with a Miele washing machine in a washer-dryer stack. A stacking kit is required which can be purchased from your Miele Dealer or the Miele Spare Parts Department. The stacking kit must be fitted by a Miele authorised service technician.

Installation and connection

Installation on a concrete plinth




- Secure the front feet of the dryer with clamps when installing the machine on a concrete plinth.


Payment system

The dryer can be fitted with a payment system (optional accessory). This must be connected and programmed by a Miele Service technician.

Coins / tokens must be removed from the payment system regularly, otherwise it will become blocked.

 Do not use devices to turn the machine off automatically, (e.g. automatic timers).

Installation site

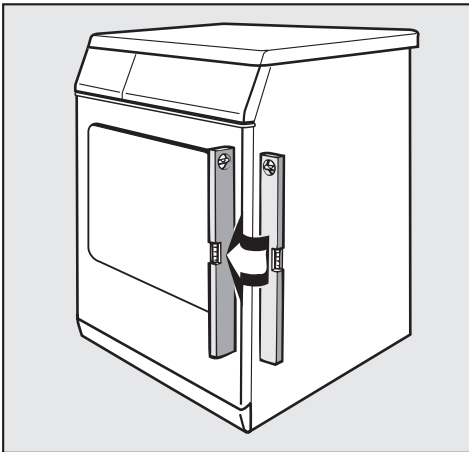
 Make sure the dryer door can be opened without hindrance after installation.

Transporting the machine to its installation site

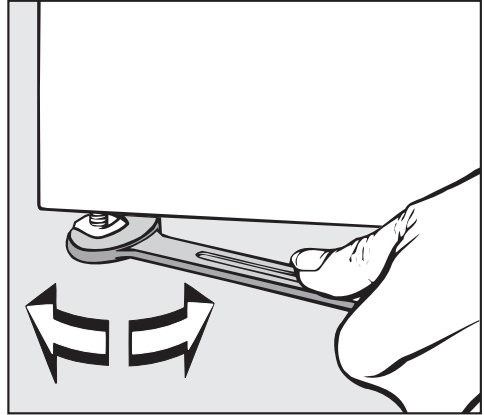
When moving the machine, you can hold it by the lid where it protrudes to the rear of the dryer.

To manoeuvre the dryer out of its packing case to its installation site, you will also need to hold it by the front feet.


Levelling the machine



The machine must be perfectly level to ensure safe and proper operation.



- The screw feet can be adjusted to compensate for any unevenness in the floor.

 A ventilation gap of 10 mm must be maintained between the base of the machine and the floor. It must not be blocked by deep pile carpets, plinths, etc, which would prevent a sufficient intake of cold air.

This tumble dryer is not suitable for building under.

Installation and connection

Electrical connection U.K.

All electrical work should be carried out only by a suitably qualified and competent person, in strict accordance with national and local safety regulations.

Ensure power is not supplied to the appliance while installation work is being carried out.

The appliance is supplied with a mains cable (approx. 1.6 m long) for connection either to a 230-240V single phase supply or to a 415 V 3-phase + N supply. **The voltage, rated load and fuse rating are given on the data plate.** Please ensure these match the on-site mains supply.

Connection should be made via a suitable isolator which complies with national and local safety regulations, and the on/off switch should be easily accessible for servicing work.

For extra safety it is advisable to install a residual current device (RCD), with a trip current of 30 Ma (in accordance with DIN VDE 0664, DIN VDE 0100 Section 739).

When switched off there must be an all-pole contact gap of 3 mm in the isolator switch (including switch, fuses and relays acc. to VDE 0660.

Important

The wires in the mains lead are coloured in accordance with the following code:

Green/yellow = earth
Blue = neutral
Brown = live

**WARNING:
THIS APPLIANCE
MUST BE EARTHED**

Electrical connection (IRL)


This tumble dryer is supplied as standard for connection to a 400 V 3-phase + N supply. The rated load is 5.4 kW. Connection should be made via a suitable isolator which complies with national and local regulations, and the on/off switch should be easily accessible for servicing work. For extra safety it is advisable to install a residual current device with a trip current of 30 mA.

The voltage, rated load and fuse rating are given on the data plate. Please ensure that these match the site mains supply.

**WARNING
THIS APPLIANCE MUST BE
EARTHED.**

Installation - extraction ducting

General

 Before operating the tumble dryer, a suitable ducting system must be installed to carry the moist air from the dryer to the outside.

The dryer must be disconnected from the mains electricity supply whilst the ducting system is installed.

The venting outlet (e.g. in a wall) should be installed in such a way that the moist expelled air:

- . . cannot be drawn back into the room in which the dryer is installed;
- . . . cannot cause any damage to the building or other nuisance.

The dryer uses the room air. It is therefore essential to ensure adequate ventilation to avoid the danger of asphyxia caused by gases given off by other appliances being drawn back into the room. Insufficient ventilation will also cause drying times to be considerably longer.

Ventilation can be maintained by:

- an open window,
- air inlets in the external wall which cannot be closed or blocked, or
- a window switch which prevents the dryer being used when the window is closed.

Avoid:

- very long ducting systems.
- too many tight bends or corners.

Otherwise the drying result will be less effective, and it will take longer and use more energy.

Suitable materials

- for the ventilation ducting:
flexible ducting* or plastic piping with a diameter of at least 100 mm.
- for venting to the outside:
a wall pipe kit* or a window vent kit*.

(* optional extras)

Installation - extraction ducting

To calculate the effective duct length

Friction against the inner walls of the vent ducting will slow down the expelled air as it passes through the ducting. An elbow, bend, non-return flap or wall vent creates more friction than a straight duct. The friction created by each of these is expressed as an **additional duct length factor**. The additional duct length factors are calculated by comparing the friction created by, for example, an elbow to that created by 1 metre of straight plastic piping (see Table 1).

The additional duct length factor for each item needs to be added together to ascertain the **effective duct length** which will be needed for the venting system. The effective duct length is a means of calculating the friction created by the venting system as a whole.

A larger **internal duct diameter** also helps reduce friction. If the effective duct length is **more than 20 m**, the duct diameter should be increased (see Table II).

To calculate the effective duct length

1. First measure the distance requiring straight ducting. Multiply this amount by the corresponding additional length factor in **Table I**.
2. Establish the number of angles, bends etc., and add their additional length factors together with the help of **Table I**.

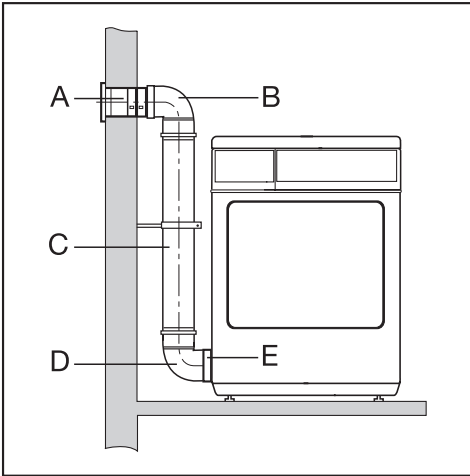
3. Add all the additional length factors to give the effective duct length.
4. Refer to **Table II** for the appropriate duct diameter required.

Table I	
Component	Additional duct length factor
Flexible ducting*	
– 1 m laid <u>straight</u>	1.8 m
– 45° angle (Bend radius = 0.25 m)	1.5 m
– 90° angle (Bend radius = 0.25 m)	2.5 m
Flexible aluminium ducting*/plastic piping	
– 1 m laid <u>straight</u> , or 1 m straight pipe	1.0 m
– 45° angle (Bend radius = 0.25 m)	0.6 m
– 90° angle (Bend radius = 0.25 m)	0.8 m
Wall vent kit* or window vent kit*	
– with louvred grill	3.8 m
– with non-return flap (hinged flap)	1.5 m
Non-return flap* integrated into the vent ducting	14.3 m
Flat ducting (for washer-dryer stack)*	11.0 m
Venting connection to the left/right	1.0 m
* accessory available to order	

Table II	
Maximum effective duct length allowable	Internal duct diameter required
20 m	100 mm
40 m	125 mm
80 m	150 mm

Installation - extraction ducting

Calculation example



A	Wall pipe, with louvred vent	= 1 x 3.8 m Additional duct length	= 3.8 m
B/D	2 bends, 90°	= 2 x 0.8 m Additional duct length	= 1.6 m
C	0.5 m plastic piping	= 0.5 x 1 m Additional duct length	= 0.5 m
E	Side connection, left	= 1 m Additional duct length	= 1.0 m
	Effective duct length		= 6.9 m

Result: A duct diameter of 100 mm is adequate as the effective duct length is less than the 20 m specified in Table II.

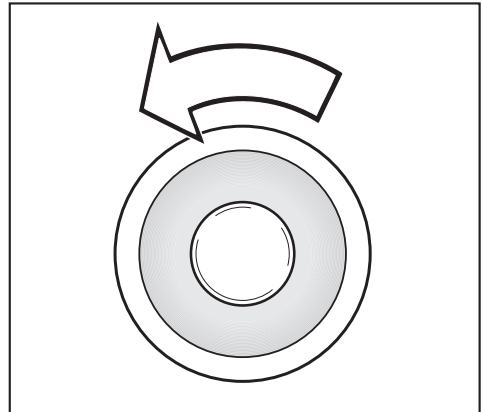
Installation to the rear, left or right hand side of the machine

To the rear

The connection is opened at the factory.

- Fit one of the venting systems described on the following pages.

To the left or right side of the machine.



- Turn the cover flap anti-clockwise.
- Refit it securely in the rear outlet.
- Fit one of the venting systems described on the following pages.

Installation - extraction ducting

Overview of the different venting systems

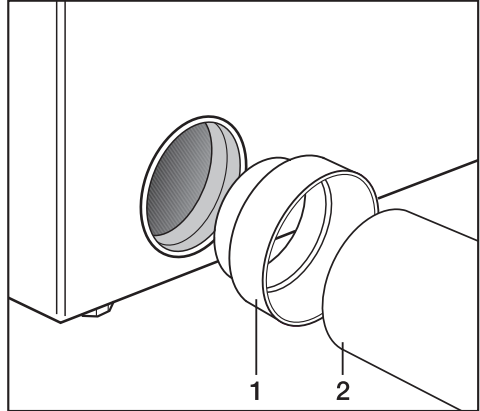
The various venting systems which are possible (A/B/C) are described on the pages that follow.

A Venting system with plastic piping

An adapter for installing piping is supplied with the dryer. Plastic piping is a good option where the vented air has to be ducted for some distance. The smooth walls of the pipe are less resistant to vented air than the walls of a flexible vent hose, for example. Time and energy consumption are better with plastic piping.

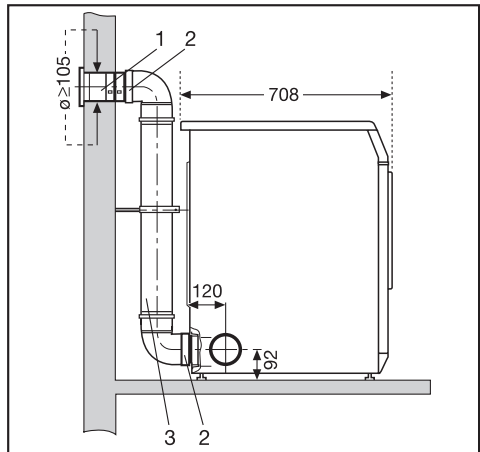
The following items are required:

- an adapter (supplied)
- a wall vent kit* or window vent kit* (* optional extras)
- suitable plastic piping, available from your dealer or builders' merchant. Where the pipe diameter is more than 100 mm, an adapter is necessary (e.g. 100 to 125 mm) to connect the pipe to the dryer.



- The piping (2) is connected to adapter (1) which is fitted into the vent opening on the dryer.

Example



1. Wall vent kit (separate fitting instructions are supplied with the Miele wall vent kit)
2. Adapter
3. Plastic piping, diameter DN 100

Installation - extraction ducting

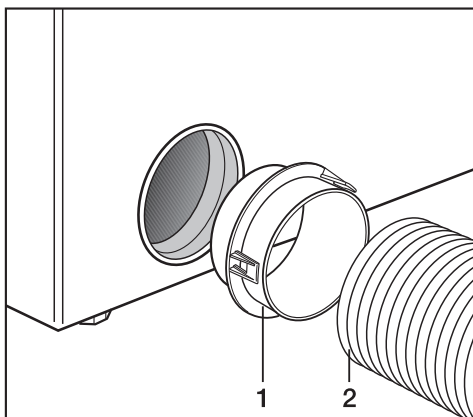
Ⓑ Venting system with flexible ducting

Using an adapter*, this is a simple method of directing the moist air outside.

The following items are required:

- flexible ducting hose*
- an adapter* for flexible ducting hose
- a wall vent kit* or window vent kit*.

(* optional extras)

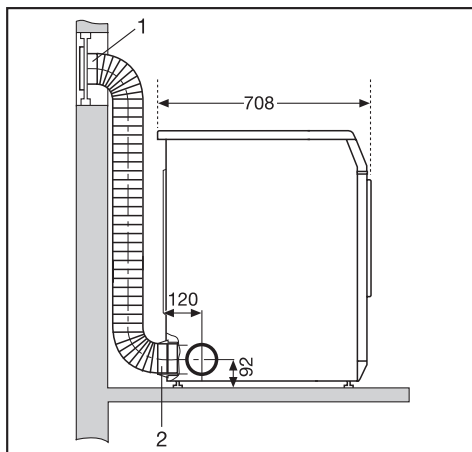


- The ducting (2) is connected to adapter (1) which is fitted into the vent opening on the dryer.

See the examples below.

Example

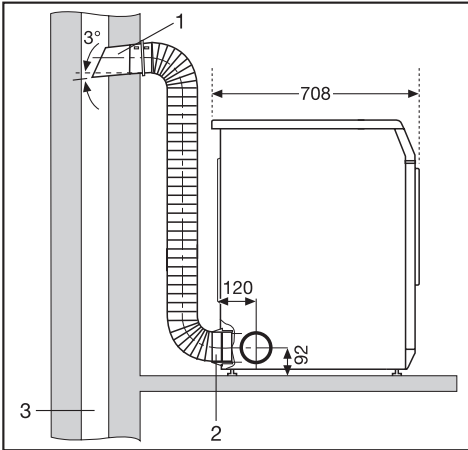
Window vent




1. Window vent kit (fitted in a "plexiglass" pane)
(separate fitting instructions are supplied with the Miele window vent kit)
2. Adapter for flexible ducting hose

Installation - extraction ducting

Connection to an exhaust flue



1. Pipe with connection piece
(= supplied with wall vent kit)
2. Adapter for flexible ducting hose
3. Exhaust flue insulated against damp

 The exhaust air must not be vented into a chimney or vent flue which is in use, nor should it be connected to ducting which ventilates rooms with fireplaces.

Installation - extraction ducting

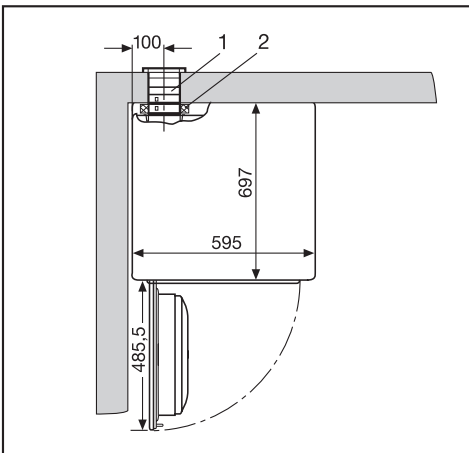
© Connecting directly to a wall vent

The best method of venting the dryer is to connect it directly to the outside wall of a room. Because the vented air is blown directly outside and has only a short distance to go, this system is very efficient in terms of time and energy consumption. However, it involves boring through an outside wall.

A wall pipe* and a flexible foam gasket* must be used (* optional extras).

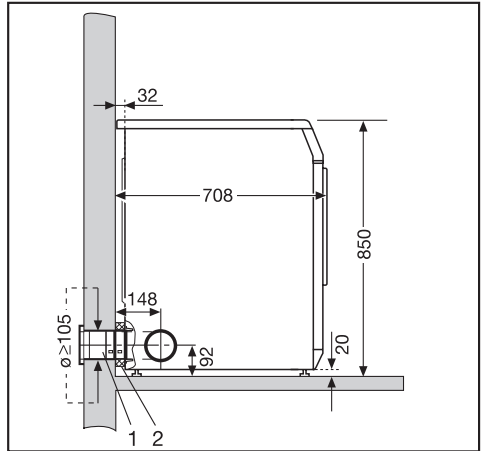
- 1 Before drilling into the wall:
... please read the installation instructions supplied with the Miele wall pipe,
... and study the following diagrams.

View from above:

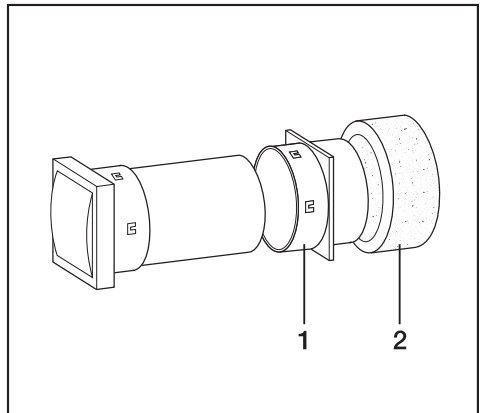


1. Wall pipe
2. Flexible foam gasket

Side view:



1. Wall pipe
2. Flexible foam gasket



- 2 Fit the foam gasket (2) onto the connecting piece (1) on the wall pipe.
- 3 Push the dryer up against the wall.

Technical data

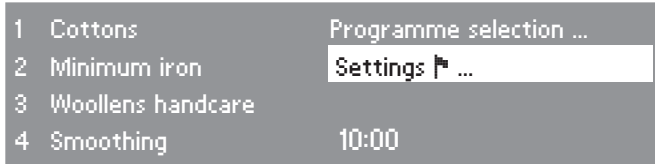
Height	850 mm (adjustable +/- 7 mm)
Width	595 mm
Depth	700 mm
Depth with door open	1,188 mm
Weight	56 kg
Drum volume	130 litres
Maximum capacity	6.5 kg dry weight
Length of connection cable	1,600 mm
Voltage	See data plate
Connected load	See data plate
Fuse rating (UK)	See data plate
Lamp wattage	See data plate
Test certificates awarded	Radio/TV suppression, VDE
Max. load bearing in operation	Approx. 72 kg
Noise level (according to 3. GSGV)	< 70 dB (A)


Settings menu for changing standard settings

The Settings menu is used to alter the dryer's electronics to suit different requirements.
Settings can be altered at any time.

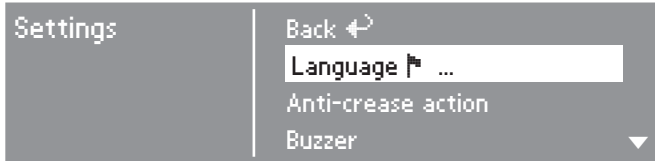
Settings menu

To open the Settings menu



- Select *Settings*  from the entry menu and confirm your selection with the multi-function selector.

Selecting settings



- Select the setting you want to change and confirm your selection.


If you do not make a selection in the sub-menu within approx. 20 seconds, the display will revert to the main menu.

To close the Settings menu

- Select *Back* and confirm your selection. The display will revert to the entry menu.

Language

The display can be set to appear in one of several different languages for the current programme.

To select the language you want, go into the *Languages*  sub-menu.

- Select the language you want and confirm your selection.

The flag after the word *Language* acts as a guide to prevent a language which will not be understood from being set.

The different language setting will only apply to the programme currently in use. After the programme has finished the display will revert to the default language which was set in the *Settings/Supervisor level* menu.

Anti-crease action

The drum will continue to rotate at intervals for one hour to prevent laundry creasing, if you do not wish to remove it immediately.

The machine is delivered with this option activated (On).

Buzzer

When the buzzer function has been activated, an audible tone sounds at the end of a programme.

The buzzer will still sound if there is a fault even if it has been deactivated.

Off

The machine is delivered with the buzzer deactivated.

Normal

The buzzer sounds at the end of a programme.

Loud

The buzzer sounds at maximum volume at the end of a programme.

Time of day

First select either a 24 hour or 12 hour clock.
Then set the current time of day.

24h clock

The time of day will appear as a 24 hour clock.

12h clock

The time of day will appear as a 12 hour clock.

No clock

The time of day is not displayed. The relative time will appear in the display when *Timer* is selected.

Settings menu

Display contrast

Display brightness

There are ten different display contrast and display brightness settings.

The bar chart shows you the setting.

Standby

To save energy, the display goes out after 10 minutes and the *Start* button flashes slowly.

On

Standby is activated:

- if a programme is not selected.
- after the *Start* button has been pressed.
- at the end of a programme.

Not in current Prog.

(the machine is delivered with this option selected)

Standby is activated:

- if a programme is not selected.

Operating the multi-function selector switches the display back on again.

Extending the cooling down time

The cooling down phase which takes place before the end of a programme can be lengthened if required. This makes the garments easier to handle.


The bar chart shows you the setting. The machine is delivered with 0 mins (normal cooling down period) set as standard.

- The programme duration will increase accordingly.

You cannot extend the cooling down time for the *Warm air*, *Cool air*, *Woollens handcare* or *Smoothing* programmes.

Settings/Supervisor level menu

The *Settings/Supervisor level* needs to be activated by a Miele service technician.

The *Settings/Supervisor level* is locked with a code to prevent it being accessed by non-authorized personnel (the Language  setting can still be altered).



- Select *Access via code* and confirm your selection.

To enter the code

Enter the code **0 0 0** (factory default setting). If you enter the code wrongly three times, the machine will lock out for an hour!



- Turn the multi-function selector until the first number appears. Confirm your selection of this number.
- Repeat the process until all three numbers have been entered.

After you have entered the last number you need to confirm the code:



- Confirm the code.

The supervisor level is now open.

Settings/Supervisor level menu

Select languages

You can select the order that you want the languages available to appear in in the display.

Supervisor level

You can alter the access code to the supervisor level.

- Enter the old code.
- Enter a new code.

After you have confirmed the new code, the display will change to the beginning of the *Settings* menu.

Save

You can choose whether you want the *Save* option to appear in the main menu. The save function is required if you want to change the favourite drying programmes listed in the display.

The machine is delivered with this option deactivated.

Drying levels

The bar chart shows you the setting. The machine is delivered with a medium settings set as standard.

- Depending on the setting, the programme duration will be shorter (Damper) or longer (Drier).

Cottons and Minimum iron drying levels

You can alter the drying levels for the *Cottons* and *Minimum iron* programmes.

Cottons Machine iron drying level

This drying level can be altered individually.

Settings/Supervisor level menu

Cleaning the airways

Fluff should be removed after drying. The *Clean the airways* message will remind you to do this when a certain amount of fluff has collected. You can decide at what level of fluff this reminder should be given.

You will have an idea of how often this should be done after a few drying programmes.

Off

Clean the airways does not appear

Heavy

Clean the airways only appears when there is a heavy build-up of fluff

Normal

Factory default setting

Light

Clean the airways appears when there is only a small build-up of fluff

Cleaning the filter

The filter should be cleaned regularly. The *Clean filter* message will remind you to do this. You can decide after how many hours you want the message to appear.

Setting the correct option will depend on how much fluff has accumulated. Select a more appropriate option if you find that the filter is very dirty/not very dirty at the end of the set period of time.

The machine is delivered with this option set at: 20 hours.

Displaying the residual moisture as a percentage

The residual moisture of the drying stage reached can also be displayed as a % during the programme sequence.

The machine is delivered with this option set at: without percentage.

Cool air free of charge

If the dryer has been fitted with a payment system, you can set the *Cool air* programme to be free of charge.

The machine is delivered with this option set at: payment required.

United Kingdom:

Miele Co. Ltd.
Fairacres, Marcham Road
Abingdon, Oxon, OX14 1TW
tel. Abingdon (01235) 554455
Service Office: (01235) 554466
fax (01235) 554477
Internet: www.miele.co.uk

Ireland:

Miele Ireland Ltd.
Broomhill Road, Tallaght, Dublin 24
Tel: (01) 46 10 710, Fax: (01) 46 10 797
Email: info@miele.ie
Internet: <http://www.miele.ie>

Australia:

Miele Australia Pty. Ltd.
A.C.N. 005635398
1 Gilbert Park Drive
Knoxfield, VIC 3180
Telephone: (03) 9764 7100
Fax: (03) 9764 7129
Internet: www.miele.com.au

Distributor New Zealand:

Steelfort Engineering Company. Ltd.
500 Rangitikei Street
Palmerston North, Priv. Bag 11045, NZ
Telephone: (06) 350 1350
Fax: (06) 356 1507

South Africa:

Miele (Pty) Ltd
63 Peter Place
Bryanston 2194
P.O. Box 69434
Bryanston 2021
Tel.: (011) 548 1900
Telefax (011) 548 1935
Internet: www.miele.co.za
E-mail: info@miele.co.za

Singapore:

Miele Southeast Asia
Miele Pte. Ltd.
163 Penang Road
04 - 02/03 Winsland House II
Singapore 238463
Tel : +65-67351191
Fax: +65-67351161
Email: infosea@miele.com.sg

Hong Kong:

Miele (Hong Kong) Limited
AIA Plaza, 24th Floor
18 Hysan Avenue
Causeway Bay
Hong Kong
Tel.: (852) 2610 1331
Fax: (852) 2610 1013
E-mail: mielehk@miele.com.hk