

**AC-10K AC-10H**  
**Adapt-A-Com**

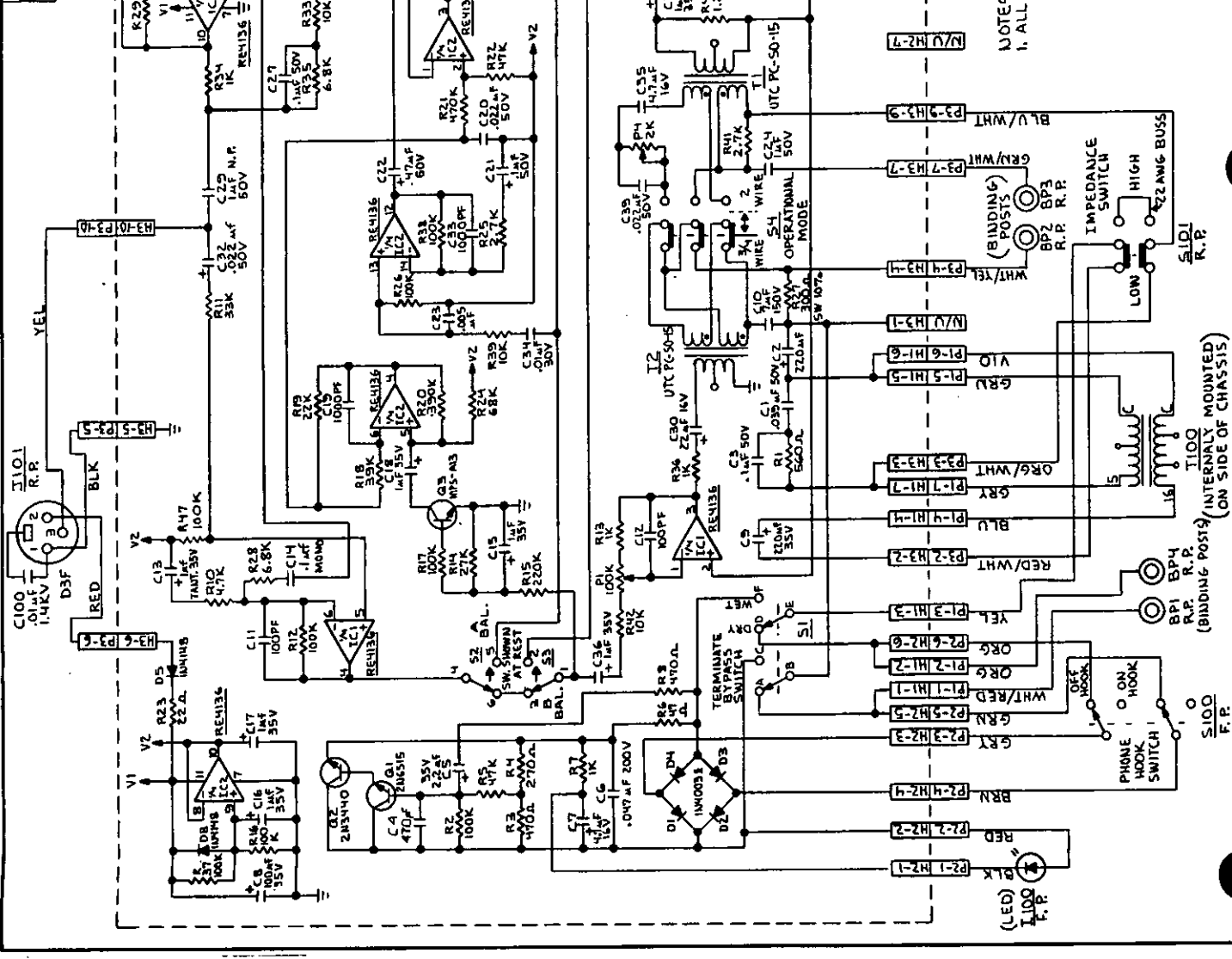
**OPERATING  
INSTRUCTIONS**



**Clear-Com<sup>®</sup>**  
*Intercom Systems*

4065 Hollis St., Emeryville, CA 94608 (510) 496-6666

REV.	DESCRIPTION	DATE	APPROVED
C	E.C.O. 661	7-16-84	
D	E.C.L. 1037	4-11-84	
E	E.C.O. #1037	10-19-87	
A	RELEASED ELO 433	10-25-82	
B	T1 & T2 E.C.O. 616	5-16-84	



NOTES: UNLESS OTHERWISE SPECIFIED,  
 1. ALL RESISTORS ARE 1/4 WATT 5%.

TRANSMISSIONS		FUNCTIONS		DC		AC	
✓	✓	✓	✓	✓	✓	✓	✓

APPROVALS	DATE	SCALE	DRAWING NO.	SIZE	DO NOT SCALE DRAWING	SHEET
BY: [Signature]	8-11-84	NONE	C	AC-10-55D-C-E		

clear-com.  
 intercom systems

SCHEMATIC DIAGRAM  
 AC-10 W/HOLDING COIL  
 ASSY #

DO NOT SCALE DRAWING

## AC-10 ADAPT-A-COM INSTRUCTION SHEET

### DESCRIPTION:

The Clear-Com AC-10 is a versatile, active hybrid device that interfaces the Clear-Com intercom system with a variety of other communication systems. These include two-wire, three-wire, and four-wire telephone type systems, carbon systems, and other closed-circuit intercom systems. The AC-10's front panel controls include a Mode Select switch, Transmit and Receive level gains, and A and B Balance controls. An impedance select switch is located on the rear panel.

### SET-UP:

- 1) Connect the Adapt-A-Com to your Clear-Com system via the connector marked Clear-Com on the rear panel, using standard two-conductor shielded mic cable. The pin assignment on this 3-pin, XLR-type female connector is:

Pin 1: common  
Pin 2: +30 volts DC  
Pin 3: intercom audio

- 2) Select your mode of operation with the Mode Select switch: 2-wire, 3-wire, or 4-wire. The 2-wire mode is typically used with telephone-type carbon systems. The impedance select switch on the rear panel should be set to "Hi Z" for TELCO type lines and 600 $\Omega$  television camera systems. It is set to "Low Z" only when used with low impedance television intercom systems such as the RCA or Daven types.

The 3-wire mode is used with separate transmit and receive lines with a common ground. This mode "looks" like a carbon headset, and can be used to plug directly into the headset jack of a carbon system (such as a TV camera).

The 4-wire mode is used when you have a separate transmit pair and a separate receive pair.

NOTE: In the 3-/4-wire mode, the B Balance control is not operative. The impedance select switch must be set to the "Hi Z" position when the AC-10 is used in the 3-/4-wire mode.

- 3) Connect the AC-10 to the external communication system via the rear panel binding posts.

**2-WIRE:** Connect the AC-10 to all two wire systems using only the top two binding posts (the red ones).

**3-WIRE:** For 3-wire systems, jump the two black binding posts together for the common ground. Connect the red binding post marked "transmit" to the portion of the circuit that the AC-10 sends signals on, and the other red binding post (marked "receive") to the portion of the circuit that the AC-10 is to receive signals from.

**4-WIRE:** For a 4-wire system, use all four binding posts: a red and black pair for the transmit, and a red and black pair for the receive.

### BALANCING THE INTERFACE:

NOTE: Before balancing the system, be sure that the connections to both Clear-Com and the external communication system have been made. Balance cannot be achieved unless both systems are connected. Balance is obtained with a built-in test tone via the A and B Balance switches.

## AC-10 ADAPT-A-COM INSTRUCTION SHEET

**2-WIRE MODE BALANCING:** If your Clear-Com system is supported by an older PS-3000 Power Supply or a CS-200 Main Station, turn the master gain control on the rear panel of the Main Station fully counter-clockwise. Newer Main Stations and Power Supplies do not have a master gain.

- 1) Turn both gain controls on the AC-10 to the 10 o'clock position.
- 2) Plug a standard Clear-Com headset into the 4-pin XLR-type connector marked "Test Headset" on the AC-10 front panel.
- 3) While listening on the headset, push the A balance momentary switch and adjust the A balance trimpot for minimum tone in the headset. Repeat this procedure with the B balance switch and trimpot. If the unit starts to oscillate or motor-boat, back off both gain controls slightly and re-balance.
- 4) Disconnect the test headset.

**3-4-WIRE MODE BALANCING:** The procedure is the same as for the 2-wire mode, except the B balance is inoperative.

### ADDITIONAL NOTES:

- 1) The test tone levels heard in the system are affected by the Transmit and Receive gain control settings.
- 2) Attempting to get too much gain from either system can cause instability and oscillation.
- 3) If you're interfacing to a TELCO line and cannot obtain a satisfactory null on the B balance, the value of capacitor C-39 should be increased (see schematic). Try adding from .05 uF to .1 uF across the existing cap.

### AC-10K ADAPT-A-COM WITH HOLDING COIL OPTION

The AC-10K Adapt-A-Com can interface Clear-Com with standard telephone systems. When your AC-10K has the holding coil option and is connected to a "TELCO" line, the user may dial an outgoing call from a telephone extension, switch the AC-10K to "Phone Hold", and then hang up the receiver to keep the party on-line for intercom purposes.

Likewise, an incoming call may be answered by the AC-10K that's in the "Hold" condition (instead of lifting the telephone receiver off the hook). When the phone rings, set the Holding Coil switch (on AC-10K front panel) to the "Phone Hold" position. The AC-10K effectively answers the phone, connecting the caller to the intercom system. The red LED adjacent to the switch glows to indicate that the telephone line is seized.

The Clear-Com holding coil circuit provides a simulated termination across the AC-10K to maintain its stability. This termination is automatically applied when the DC voltage on the TELCO line input is removed.

For proper operation, the holding coil circuit should be used only on a standard TELCO line "wet" pair, i.e., a telephone line with a DC voltage across it. For interfaces with non-TELCO "dry" two-wire lines, the holding coil is not needed and the internal switch on the holding coil module should be set to "bypass".

**WARNING:** To prevent damage to the Holding Coil circuitry; when the AC-10H is used as an interface to TW (RTS type) systems, the internal slide switch (S1, on the PCB) MUST be set to "BYPASS".