



CD/USB RECEIVER  
**CDE-141/CDE-140**



(CDE-141 only)

**MP3**



**USB**



- OWNER'S MANUAL  
Please read before using this equipment.
- MODE D'EMPLOI  
Veuillez lire avant d'utiliser cet appareil.
- MANUAL DE OPERACIÓN  
Léalo antes de utilizar este equipo.

Thank you for purchasing this Alpine product. Please take a moment to protect your purchase by registering your product now at the following address: [www.alpine-usa.com/registration](http://www.alpine-usa.com/registration). You will be informed of product and software updates (if applicable), special promotions, news about Alpine, and entered for a chance to win prizes.

Merci d'avoir acheté ce produit Alpine. Nous vous invitons à consacrer un moment à la protection de votre achat en enregistrant votre produit dès maintenant à l'adresse suivante : [www.alpine-usa.com/registration](http://www.alpine-usa.com/registration).

Vous serez tenu informé des mises à jour des produits et des logiciels (le cas échéant), des promotions spéciales, de l'actualité d'Alpine, et vous aurez une chance de remporter des prix.

Gracias por adquirir este producto Alpine. Con solo unos pocos pasos podrá proteger su producto, registrándolo a través de la siguiente dirección: [www.alpine-usa.com/registration](http://www.alpine-usa.com/registration). Recibirá información sobre nuevos productos y software, promociones especiales, novedades sobre Alpine y participará en el sorteo de premios.

**ALPINE ELECTRONICS OF AMERICA, INC.**  
19145 Gramercy Place, Torrance,  
California 90501, U.S.A.  
Phone 1-800-ALPINE-1 (1-800-257-4631)

**ALPINE ELECTRONICS OF CANADA, INC.**  
777 Supertest Road, Toronto,  
Ontario M3J 2M9, Canada  
Phone 1-800-ALPINE-1 (1-800-257-4631)



**ALPINE ELECTRONICS MARKETING, INC.**

1-7, Yukigaya-Otsukamachi, Ota-ku,  
Tokyo 145-0067, JAPAN  
Phone: 03-5499-4531

**ALPINE ELECTRONICS FRANCE S.A.R.L.**

(RCS PONTOISE B 338 101 280)  
98, Rue de la Belle Etoile, Z.I. Paris Nord II,  
B.P. 50016, 95945 Roissy Charles de Gaulle  
Cedex, France  
Phone 01-48638989

**ALPINE ELECTRONICS OF AUSTRALIA PTY. LTD.**

161-165 Princes Highway, Hallam  
Victoria 3803, Australia  
Phone 03-8787-1200

**ALPINE ELECTRONICS GmbH**

Wilhelm-Wagenfeld-Str. 1-3, 80807 München, Germany  
Phone 089-32 42 640

**ALPINE ELECTRONICS OF U.K. LTD.**

Alpine House  
Fletchamstead Highway, Coventry CV4 9TW, U.K.  
Phone 0870-33 33 763

**ALPINE ITALIA S.p.A.**

Viale C. Colombo 8, 20090 Trezzano  
Sul Naviglio (MI), Italy  
Phone 02-484781

**ALPINE ELECTRONICS DE ESPAÑA, S.A.**

Portal de Gamarra 36, Pabellón, 32  
01013 Vitoria (Alava)-APDO 133, Spain  
Phone 945-283588

## Operating Instructions

### WARNING

WARNING .....	5
CAUTION .....	5
PRECAUTIONS .....	5

### Getting Started

Accessory List .....	8
Turning Power On and Off .....	8
Source Selection .....	8
Detaching and Attaching the Front Panel .....	8
Detaching .....	8
Attaching .....	8
Adjusting Volume .....	8
Setting Time .....	8

### Radio

Listening to Radio .....	9
Presetting Stations Manually .....	9
Presetting Stations Automatically .....	10
Tuning to Preset Stations .....	10
Frequency Search Function .....	10

### CD/MP3/WMA

Playback .....	10
Repeat Play .....	11
M.I.X. (Random Play) .....	11
Searching for CD Text .....	11
Folder/File Name Search (concerning MP3/WMA) .....	11
Folder Name Search mode .....	11
File Name Search mode .....	11
About MP3/WMA .....	12
Terminology .....	12

### Sound Setting

Adjusting Subwoofer Level/Bass Level/Middle Level/Treble Level/Balance (Between Left and Right)/Fader (Between Front and Rear)/ Loudness/Defeat .....	13
Audio Setup .....	13
Equalizer Presets (F-EQ) .....	13
Turning Loudness On/Off .....	14

Adjusting the Parametric Equalizer Curve (3BAND EQ) .....	14
Setting the Bass Control .....	14
Setting the Mid Control .....	14
Setting the Treble Control .....	14
Setting the Source Volume Level .....	15
Adjusting the High Pass Filter .....	15
Turning Subwoofer ON/OFF .....	15
Adjusting the Low Pass Filter .....	15
Setting the Subwoofer Phase .....	15
Setting the Subwoofer System .....	15
External Device .....	15
Connecting to an External Amplifier (Power IC) .....	15

### Other Functions

Displaying the Text .....	16
About the indication display .....	16
About "Text" .....	16
Using the Front AUX Input Terminal .....	16
Setting your favorite source to the FAV button (FAV SETUP) .....	17
Set your favorite source .....	17
Recall your favorite source .....	17
Option Menu Setting .....	17

### SETUP

Setting .....	18
General Setting .....	18
Setting your favorite source to the FAV button (FAV SETUP) .....	18
Setting the AUX SETUP mode .....	18
Setting the AUX NAME mode .....	18
Playing MP3/WMA Data (PLAY MODE) .....	18
Demonstration .....	19
Display Setting .....	19
Dimmer Control .....	19
Scroll Setting (TEXTSCROLL) .....	19
iPod/iPhone Setting .....	19
iPod/iPhone Search Mode Setting .....	19

### Flash Memory (optional)

Playing MP3/WMA Files from Flash Memory (optional) .....	19
Flash Memory Connection (optional) .....	19
Connect Flash Memory .....	19
Remove Flash Memory .....	20
About MP3/WMA File of Flash Memory .....	20

## **iPod/iPhone (optional) (CDE-141 only)**

Connecting an iPod/iPhone .....	20
Setting the iPod Control.....	21
Playback .....	21
Searching for a desired Song.....	21
Alphabet search function .....	22
Direct Search Function.....	22
Select Playlist/Artist/Album/Genre/ Composer .....	22
Random Play Shuffle (M.I.X.) .....	23
Repeat Play .....	23

## **Information**

In Case of Difficulty.....	23
Basic .....	23
Radio.....	23
CD .....	23
MP3/WMA.....	24
Audio.....	24
iPod (CDE-141 only) .....	24
Indication for CD Player .....	24
Indication for Flash Memory.....	24
Indication for iPod Mode (CDE-141 only)....	25
Specifications .....	26

---

## **Installation and Connections**

<b>WARNING</b> .....	<b>27</b>
<b>CAUTION</b> .....	<b>27</b>
<b>PRECAUTIONS</b> .....	<b>27</b>
Installation.....	28
Removal.....	28
Connections.....	29

## **LIMITED WARRANTY**

# Operating Instructions

## WARNING

### WARNING

This symbol means important instructions. Failure to heed them can result in serious injury or death.

#### **DO NOT OPERATE ANY FUNCTION THAT TAKES YOUR ATTENTION AWAY FROM SAFELY DRIVING YOUR VEHICLE.**

Any function that requires your prolonged attention should only be performed after coming to a complete stop. Always stop the vehicle in a safe location before performing these functions. Failure to do so may result in an accident.

#### **KEEP THE VOLUME AT A LEVEL WHERE YOU CAN STILL HEAR OUTSIDE NOISES WHILE DRIVING.**

Excessive volume levels that obscure sounds such as emergency vehicle sirens or road warning signals (train crossings, etc.) can be dangerous and may result in an accident. LISTENING AT LOUD VOLUME LEVELS IN A CAR MAY ALSO CAUSE HEARING DAMAGE.

#### **DO NOT DISASSEMBLE OR ALTER.**

Doing so may result in an accident, fire or electric shock.

#### **USE ONLY IN CARS WITH A 12 VOLT NEGATIVE GROUND.**

(Check with your dealer if you are not sure.) Failure to do so may result in fire, etc.

#### **KEEP SMALL OBJECTS SUCH AS BATTERIES OUT OF THE REACH OF CHILDREN.**

Swallowing them may result in serious injury. If swallowed, consult a physician immediately.

#### **USE THE CORRECT AMPERE RATING WHEN REPLACING FUSES.**

Failure to do so may result in fire or electric shock.

#### **DO NOT BLOCK VENTS OR RADIATOR PANELS.**

Doing so may cause heat to build up inside and may result in fire.

#### **USE THIS PRODUCT FOR MOBILE 12V APPLICATIONS.**

Use for other than its designed application may result in fire, electric shock or other injury.

#### **DO NOT PLACE HANDS, FINGERS OR FOREIGN OBJECTS IN INSERTION SLOTS OR GAPS.**

Doing so may result in personal injury or damage to the product.

### CAUTION

This symbol means important instructions. Failure to heed them can result in injury or material property damage.

#### **HALT USE IMMEDIATELY IF A PROBLEM APPEARS.**

Failure to do so may cause personal injury or damage to the product. Return it to your authorized Alpine dealer or the nearest Alpine Service Center for repairing.

### PRECAUTIONS

#### **Product Cleaning**

Use a soft dry cloth for periodic cleaning of the product. For more severe stains, please dampen the cloth with water only. Anything else has the chance of dissolving the paint or damaging the plastic.

#### **Temperature**

Be sure the temperature inside the vehicle is between +60°C (+140°F) and -10°C (+14°F) before turning your unit on.

#### **Moisture Condensation**

You may notice the CD playback sound wavering due to condensation. If this happens, remove the disc from the player and wait about an hour for the moisture to evaporate.

#### **Damaged Disc**

Do not attempt to play cracked, warped, or damaged discs. Playing a bad disc could severely damage the playback mechanism.

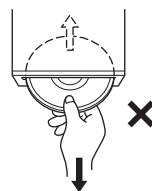
#### **Maintenance**

If you have problems, do not attempt to repair the unit yourself. Return it to your Alpine dealer or the nearest Alpine Service Station for servicing.

#### **Never Attempt the Following**

Do not grip or pull out the disc while it is being pulled back into the player by the automatic reloading mechanism.

Do not attempt to insert a disc into the unit when the unit power is off.



#### **Inserting Discs**

Your player accepts only one disc at a time for playback. Do not attempt to load more than one disc.

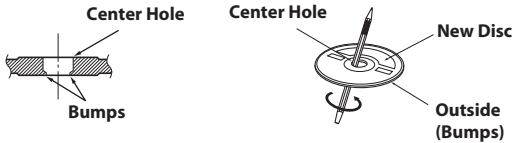
Make sure the label side is facing up when you insert the disc. "ERROR" will be displayed on your player if you insert a disc incorrectly.

Playing a disc while driving on a very bumpy road may result in skips, but this will not scratch the disc or damage the player.

---

## New Discs

To prevent the CD from jamming, "ERROR" is displayed if discs with irregular surfaces are inserted or if discs are inserted incorrectly. When a new disc is ejected immediately after initial loading, use your finger to feel around the inside of the center hole and outside edge of the disc. If you feel any small bumps or irregularities, this could inhibit proper loading of the disc. To remove the bumps, rub the inside edge of the hole and outside edge of the disc with a ballpoint pen or other such instrument, then insert the disc again.



---

## Irregular Shaped Discs

Be sure to use round discs only for this unit and never use any special shaped discs. Use anything but round discs may cause damage to the mechanism.



---

## Installation Location

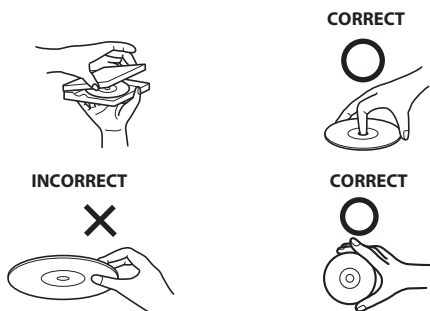
Make sure this unit will not be installed in a location subjected to:

- Direct sun and heat
- High humidity and water
- Excessive dust
- Excessive vibrations

---

## Correct Handling

Do not drop the disc while handling. Hold the disc so you will not leave fingerprints on the surface. Do not affix tape, paper, or gummed labels to the disc. Do not write on the disc.



---

## Disc Cleaning

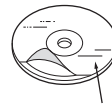
Fingerprints, dust, or soil on the surface of the disc could cause the CD player to skip. For routine cleaning, wipe the playing surface with a clean, soft cloth from the center of the disc to the outer edge. If the surface is heavily soiled, dampen a clean, soft cloth in a solution of mild neutral detergent before cleaning the disc.



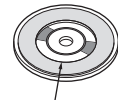
---

## Disc Accessories

There are various accessories available on the market for protecting the disc surface and improving sound quality. However, most of them will influence the thickness and/or diameter of the disc. Using such accessories can cause the disc to be out of standard specifications and may create operational problems. We recommend not using these accessories on discs played in Alpine CD players.



Transparent Sheet



Disc Stabilizer

---

## On handling Compact Discs (CD/CD-R/CD-RW)

- Do not touch the surface.
- Do not expose the disc to direct sunlight.
- Do not affix stickers or labels.
- Clean the disc when it is dusty.
- Make sure that there are no bumps around the disc.
- Do not use commercially available disc accessories.

**Do not leave the disc in the car or the unit for a long time. Never expose the disc to direct sunlight.** Heat and humidity may damage the CD and you may not be able to play it again.

### To customers using CD-R/CD-RW

- If a CD-R/CD-RW cannot be played back, make sure the last recording session was closed (finalised).
- Finalize the CD-R/CD-RW if necessary, and attempt playback again.

---

## About media that can be played

Use only compact discs with the label side showing the CD logo marks below.



If you use unspecified compact discs, correct performance cannot be guaranteed.

You can play CD-Rs (CD-Recordables)/CD-RWs (CD-ReWritables) which have been recorded only on audio devices. You can also play CD-Rs/CD-RWs containing MP3/WMA formatted audio files.

- Some of the following CDs may not play on this unit:  
Flawed CDs, CDs with fingerprints, CDs exposed to extreme temperatures or sunlight (e.g., left in the car or this unit), CDs recorded under unstable conditions, CDs on which a recording failed or a re-recording was attempted, copy-protected CDs which do not conform to the audio CD industry standard.

- Use discs with MP3/WMA files written in a format compatible with this unit. For details, refer to “About MP3/WMA” on page 12.
- ROM data other than audio files contained in a disc will not produce sound when played back.

---

### Protecting the USB Port

- Only USB Flash Memory devices can be connected to the USB Port on this unit. Correct performance using other USB products cannot be guaranteed. A USB hub is not supported.
  - Depending on the shape or size of a USB device, it may not be connected to the USB terminal of this unit—a USB extension (sold separately) is recommended for this connection. Also, avoid connecting Flash Memory and Front Aux at the same time.
  - If a USB device is inserted in the unit, it projects out and may be a danger while driving. Use a commercially available USB extension cable, and connect it in a safe way.
  - Depending on the connected Flash Memory device, the unit may not function or some functions may not be performed.
  - The audio file format that can be played back on the unit is MP3/WMA.
  - Artist/song name, etc., can be displayed, however some characters may not be correctly displayed.
- 

### On Handling Flash Memory

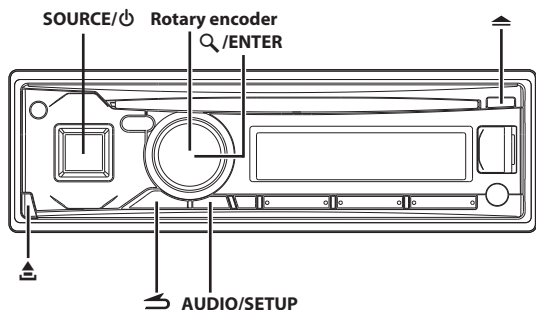
#### CAUTION

**Alpine accepts no responsibility for lost data, etc., even if data, etc., is lost while using this product.**

- To prevent malfunction or damage, note the following points. Read the Flash Memory Owner’s Manual thoroughly.
- Fix the Flash Memory in a location where driver operation will not be hindered.
- Flash Memory may not function correctly at high or low temperature.
- The USB Flash Memory supports only 512 or 2,048 bytes per sector.
- Use only certified Flash Memory. Please pay attention that even certified Flash Memory, may not function correctly depending on its type or state.
- Flash Memory function is not guaranteed. Use Flash Memory according to the terms of agreement.
- Depending on the settings of the Flash Memory type, memory state or encoding software, the unit may not play back or display properly.
- A file that is copy-protected (copyright protection) cannot be played back.
- Flash Memory may take time to start playback. If there is a particular file other than audio in the Flash Memory, it may take considerable time before the file is played back or searched.
- The unit can play back “mp3” or “wma” file extensions.
- Do not add the above extensions to a file other than audio data. This non-audio data will not be recognised. The resulting playback may contain noise that can damage speakers and/or amplifiers.
- It is recommended to back up important data on a personal computer.
- Do not remove the USB device while playback is in progress. Change SOURCE to something other than USB, then remove the USB device to prevent possible damage to its memory.

- *iPhone, iPod, iPod classic, iPod nano, and iPod touch are trademarks of Apple Inc., registered in the U.S. and other countries.*
  - *“Made for iPod,” and “Made for iPhone,” mean that an electronic accessory has been designed to connect specifically to iPod, or iPhone, respectively, and has been certified by the developer to meet Apple performance standards. Apple is not responsible for the operation of this device or its compliance with safety and regulatory standards. Please note that the use of this accessory with iPod, or iPhone may affect wireless performance.*
  - *MPEG Layer-3 audio coding technology licensed from Fraunhofer IIS and Thomson. Supply of this product only conveys a licence for private, non-commercial use and does not convey a license nor imply any right to use this product in any commercial (i.e. revenue-generation) real time broadcasting (terrestrial, satellite, cable and/or any other media), broadcasting/streaming via internet, intranets and/or other networks or in other electronic content distribution systems, such as pay-audio or audio-on-demand applications. An independent license for such use is required. For details, please visit <http://www.mp3licensing.com>*
  - *Windows Media and the Windows logo are trademarks, or registered trademarks of Microsoft Corporation in the United States and/or other countries.*
  - *© 2012 Nokia. All rights reserved. Nokia and Works with Nokia are trademarks or registered trademarks of Nokia Corporation.*

# Getting Started



## Accessory List

- Head Unit .....1
- Power Cable .....1
- Mounting Sleeve .....1
- Bracket key .....2
- Screw (M5 × 8) .....4
- Owner's Manual.....1 set

## Turning Power On and Off

Press **SOURCE/⏻** to turn on the unit.

### Note

- The unit can be turned on by pressing any other button except and (Release).

Press and hold **SOURCE/⏻** for at least 2 seconds to turn off the unit.

### Note

- The first time power is turned on, the volume will start from level 12.

## Source Selection

Press **SOURCE/⏻** to change the source.

TUNER → DISC → USB AUDIO/iPod\*1 → AUXILIARY\*2 → TUNER

\*1 Only for CDE-141, and only when the iPod/iPhone is connected.

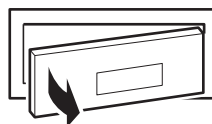
\*2 Only when AUX SETUP is set to ON. Refer to "Setting the AUX SETUP mode" on page 18.

## Detaching and Attaching the Front Panel

### Detaching

- 1 Turn off the unit power.
- 2 Press (Release) at the lower left side until the front panel pops out.

- 3 Grasp the left side of the front panel and pull it out.

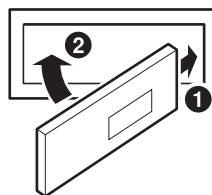


### Notes

- The front panel may become hot in normal usage (especially the connector terminals on the back of the front panel). This is not a malfunction.
- When detaching the front panel, do not apply excessive force as it may result in malfunction.

### Attaching

- 1 Insert the right side of the front panel into the main unit. Align the groove on the front panel with the projections on the main unit.
- 2 Push the left side of the front panel until it locks firmly into the main unit.



### Notes

- Before attaching the front panel, make sure that there is no dirt or dust on the connector terminals and no foreign object between the front panel and the main unit.
- Attach the front panel carefully, holding the sides of the front panel to avoid pushing buttons by mistake.

## Adjusting Volume

Turn the **Rotary encoder** until the desired sound is obtained.

## Setting Time

- 1 Press and hold **AUDIO/SETUP** for at least 2 seconds to activate the **SETUP** selection mode.
- 2 Turn the **Rotary encoder** to select **GENERAL**, and then press **Q/ENTER**.  
AUDIO ↔ GENERAL ↔ DISPLAY ↔ iPod\*  
\* CDE-141 only.
- 3 Turn the **Rotary encoder** to select the **CLOCK ADJ** mode, and then press **Q/ENTER**.  
The time indication will blink.
- 4 Turn the **Rotary encoder** to adjust the hours while the time indication is blinking.
- 5 When the hour has been adjusted, press **Q/ENTER**.



- 6 Turn the **Rotary encoder** to adjust the minutes while the time indication is blinking.
- 7 Press and hold **AUDIO/SETUP** for at least 2 seconds to return to normal mode.

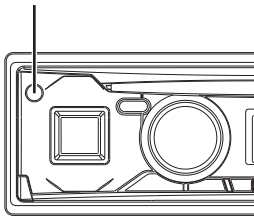
#### Notes

- To synchronize the clock to another clock/watch or radio time announcement, press and hold **Q/ENTER** for at least 2 seconds after setting the "hour". Minutes will reset to "00". If the display shows over "30" minutes when you do this, the time will advance one hour.
- Pressing **↵** will return to the previous mode.
- Pressing and holding **↵** for at least 2 seconds will return to normal mode.
- If no operation is performed for 60 seconds, the unit will return to normal mode automatically.

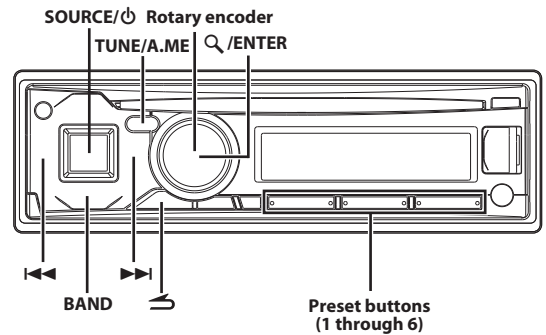
#### Controllable with Remote Control

This unit can be controlled with an optional Alpine remote control. For details, consult your Alpine dealer. Point the optional remote control transmitter at the remote-control sensor.

#### Remote control sensor



## Radio



## Listening to Radio

- 1 Press **SOURCE/⏻** to select **TUNER** mode.
  - 2 Press **BAND** repeatedly until the desired radio band is displayed.  
F1 (FM1) → F2 (FM2) → AM → F1 (FM1)
  - 3 Press **TUNE/A.ME** to select the tuning mode.  
**DX SEEK** (Distance mode) → **SEEK** (Local mode) → off (Manual mode) → **DX SEEK**
- Note**
- The initial mode is Distance mode.
- Distance mode:**  
Both strong and weak stations will be automatically tuned in (Automatic Seek Tuning).
- Local mode:**  
Only strong stations will be automatically tuned in (Automatic Seek Tuning).
- Manual mode:**  
The frequency is manually tuned in steps (Manual tuning).
- 4 Press **◀◀** or **▶▶** to tune in the desired station.  
Holding down **◀◀** or **▶▶** will change the frequency continuously.

## Presetting Stations Manually

- 1 Select the radio band and tune in a desired radio station you wish to store in the preset memory.
- 2 Press and hold, for at least 2 seconds, any one of the **preset buttons (1 through 6)** into which you wish to store the station.  
The selected station is stored.  
The display shows the band, preset number and station frequency memorized.

#### Notes

- A total of 18 stations can be stored in the preset memory (6 stations for each band; FM1, FM2 and AM).
- If you store a station in a preset memory which already has a station, the current station will be cleared and replaced with the new station.

## Presetting Stations Automatically

- 1 Press **BAND** repeatedly until the desired radio band is displayed.
- 2 Press and hold **TUNE/A.ME** for at least 2 seconds.  
The frequency on the display continues to change while the automatic memory is in progress. The tuner will automatically seek and store 6 strong stations in the selected band. They will be stored into preset buttons 1 to 6 in order of signal strength. When the automatic memory has been completed, the tuner goes to the station stored in preset location No.1.

### Note

- If no stations are stored, the tuner will return to the original station you were listening to before the auto memory procedure began.

## Tuning to Preset Stations

- 1 Press **BAND** repeatedly until the desired band is displayed.
- 2 Press any one of the station preset buttons (1 through 6) that has your desired radio station in memory.  
The display shows the band, preset number and frequency of the station selected.

## Frequency Search Function

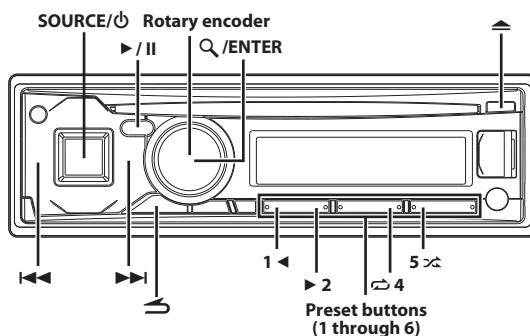
You can search for a radio station by its frequency.

- 1 Press **Q/ENTER** in Radio mode to activate Frequency search mode.  
The "Q" indicator lights up.
- 2 Turn the **Rotary encoder** to select the desired frequency.
- 3 Press **Q/ENTER** to receive the selected frequency.

### Note

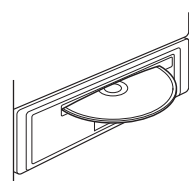
- Press **↵** in the search mode to cancel. Or, the search mode will be canceled if no operation is performed for 10 seconds.

## CD/MP3/WMA



## Playback

- 1 Insert a disc with the label side facing up.  
The disc will be pulled into the unit automatically.



### Note

- When a disc is already inserted, press **SOURCE/⏻** to switch to the DISC mode.

- 2 While playing back MP3/WMA, press **1◀** or **▶2** to select the desired folder.  
Pressing and holding **1◀** or **▶2** will change folders continuously.
- 3 Press **◀◀** or **▶▶** to select the desired track (file).  
Pressing and holding **◀◀** or **▶▶** will fast backward/fast forward track continuously.
- 4 To pause playback, press **▶/||**.  
Pressing **▶/||** again will resume playback.
- 5 To eject the disc, press **⏻**.




### Notes

- Do not remove a CD during its eject cycle. Do not load more than one disc at a time. A malfunction may result from doing either.
- The "Q" indicator lights up when a disc is inserted.
- Three-inch (8 cm) CDs can not be used.
- Any file protected by DRM (Digital Rights Management) copy protection, cannot be played back on this unit.
- The track display for MP3/WMA data playback is the file numbers recorded on the disc.
- The playback time may not be correctly displayed when a VBR (Variable Bit Rate) recorded file is played back.
- During CD/MP3/WMA playback, press **↵**, and then you can quickly return to the hierarchy level selected last time in the search mode.

## Repeat Play

### 1 Press .

The song is played back repeatedly.

\*1 → \*2 → (off) → 

\*1 Only a track/file is repeatedly played back.


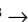

\*2 Only files in a folder are repeatedly played back. (MP3/WMA mode only)

### 2 To cancel repeat play, select (off) with the above procedure.

## M.I.X. (Random Play)

### 1 Press 5 .

The songs are played back in random sequence.

\*1 → ALL \*2/\*3 → (off) → 

\*1 Only files in a folder are played back in random sequence. (MP3/WMA mode only)

\*2 The tracks/files are played back in random sequence.

\*3 In the USB mode, all files stored in the Flash Memory are played back in random sequence.

### 2 To cancel M.I.X. play, select (off) with the above procedure.

## Searching for CD Text

On discs utilizing CD Text, songs can be searched and played by using their recorded titles. For discs without CD Text, searches are made using the track numbers associated with each song.

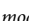
### 1 Press / ENTER during play.

This will set the search mode, and the "Q" indicator lights up.

### 2 Turn the Rotary encoder to select the desired track, and then press / ENTER.

This will play the selected track.

#### Notes

- Press  in the search mode to cancel. Or, the search mode is canceled if no operation is performed for 10 seconds.
- When CD Text Search is made during M.I.X. play, the M.I.X. play mode will be canceled.
- If any one of the **preset buttons (1 through 6)** is pressed in the search mode, a search can be made quickly by skipping to the specified location. For details, refer to "Direct Search Function" on page 22.

## Folder/File Name Search (concerning MP3/WMA)

Folder and file names may be searched and displayed during playback.

### Folder Name Search mode

### 1 During MP3/WMA playback, press / ENTER to activate the search mode.

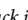
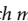

The "Q" indicator lights up.

### 2 Turn the Rotary encoder to select Folder Name Search mode, and then press / ENTER.

### 3 Turn the Rotary encoder to select the desired folder.

### 4 Press and hold / ENTER for at least 2 seconds to play back the first file in the selected folder.

#### Notes

- Press and hold  for at least 2 seconds in the search mode to cancel. Or, the search mode is canceled if no operation is performed for 10 seconds.
- To search for files in the Folder Name Search mode, press  / ENTER. Files in the folder may be searched.
- Press  to exit Folder Name Search mode in step 3 in order to select File Name Search mode.
- The root folder is displayed as "ROOT".
- When Folder Name Search is made during M.I.X. play, the M.I.X. play mode will be canceled.
- If any one of the **preset buttons (1 through 6)** is pressed in the search mode, a search can be made quickly by skipping to the specified location. For details, refer to "Direct Search Function" on page 22.

### File Name Search mode

### 1 During MP3/WMA playback, press / ENTER to activate the search mode.



The "Q" indicator lights up.

### 2 Turn the Rotary encoder to select File Name Search mode, and then press / ENTER.

### 3 Select the desired file by turning the Rotary encoder.

### 4 Press / ENTER to play back the selected file.

#### Notes

- Press and hold  for at least 2 seconds in the search mode to cancel. Or, the search mode is canceled if no operation is performed for 10 seconds.
- Press  in the search mode to return to the previous mode.
- When File Name Search is made during M.I.X. play, the M.I.X. play mode will be canceled.
- If any one of the **preset buttons (1 through 6)** is pressed in the search mode, a search can be made quickly by skipping to the specified location. For details, refer to "Direct Search Function" on page 22.

## About MP3/WMA

### CAUTION

**Except for private use, duplicating audio data (including MP3/WMA data) or distributing, transferring, or copying it, whether for free or for a fee, without permission of the copyright holder is strictly prohibited by the Copyright Act and by international treaty.**

#### What is MP3?

MP3, whose official name is "MPEG Audio Layer 3," is a compression standard prescribed by the ISO, the International Standardisation Organisation and MPEG which is a joint activity institution of the IEC. MP3 files contain compressed audio data. MP3 encoding is capable of compressing audio data at extremely high ratios, reducing the size of music files to as much as one-tenth their original size. This is achieved while still maintaining near CD quality. The MP3 format realizes such high compression ratios by eliminating the sounds that are either inaudible to the human ear or masked by other sounds.

#### What is WMA?

WMA, or "Windows Media™ Audio," is compressed audio data. WMA is similar to MP3 audio data.

#### Method for creating MP3/WMA files

Audio data is compressed using software with MP3/WMA codes. For details on creating MP3/WMA files, refer to the user's manual for that software.

MP3/WMA files that are playable on this device have the file extensions.

MP3: ".mp3"

WMA: ".wma" (Ver. 7, 8, and 9 are supported)

#### Supported playback sampling rates and bit rates

##### MP3

Sampling rates: 48 kHz, 44.1 kHz, 32 kHz, 24 kHz, 22.05 kHz, 16 kHz, 12 kHz, 11.025 kHz, 8 kHz

Bit rates: 8 - 320 kbps

##### WMA

Sampling rates: 48 kHz, 44.1 kHz, 32 kHz

Bit rates: 32 - 192 kbps

This device may not play back correctly depending on sampling rates.

#### ID3 tags/WMA tags

This device supports ID3 tag v1 and v2, and WMA tag.

If tag data is in an MP3/WMA file, this device can display the title (track title), artist name, and album name ID3 tag/WMA tag data.

This device can only display single-byte alphanumeric characters (up to 30 for ID3 tags and up to 15 for WMA tags) and the underscore. For non-supported characters, "NO SUPPORT" is displayed.

If information contains characters other than ID3 tag information, the audio file may not be played back.

The tag information may not be correctly displayed, depending on the contents.

#### Producing MP3/WMA discs

MP3/WMA files are prepared, then written to a CD-R or CD-RW using CD-R writing software. A disc can hold up to 509 files/folders (including Root Folders), and the maximum number of folders is 255. Playback may not be performed if a disc exceeds the limitations described above.

#### Media supported

The media that this device can play back are CD-ROMs, CD-Rs, and CD-RWs.

#### Corresponding File Systems

This device supports discs formatted with ISO9660 Level 1 or Level 2. Under the ISO9660 standard, there are some restrictions to remember. The maximum nested folder depth is 8 (including the root directory). The number of characters for a folder/file name is limited. Valid characters for folder/file names are letters A-Z (all caps), numbers 0-9, and ' \_ ' (underscore).

This device also can play back discs in Joliet, Romeo, etc., and other standards that conform to ISO9660. However, sometimes the file names, folder names, etc., are not displayed correctly.

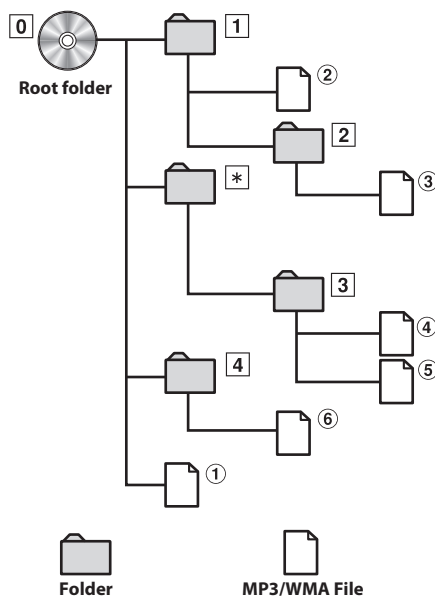
#### Formats supported

This device supports CD-ROM XA, Mixed Mode CD, Enhanced CD (CD-Extra) and Multi-Session.

This device cannot correctly play back discs recorded with Track At Once or packet writing.

#### Order of files

Files are played back in the order that the writing software writes them to the disc. Therefore, the playback order may not be what is expected. Verify the writing order in the software's documentation. The playback order of the folders and files is as follows.



\* The folder No./ folder Name will not be displayed if no readable file is contained in the folder.

## Terminology

#### Bit rate

This is the "sound" compression rate specified for encoding. The higher the bit rate, the higher the sound quality, but also the larger the files.

#### Sampling rate

This value shows how many times per second the data is sampled (recorded). For example, music CDs use a sampling rate of 44.1 kHz, so the sound is sampled (recorded) 44,100 times per second. The higher the sampling rate, the higher the sound quality, but also the larger the volume of data.

#### Encoding

Converting music CDs, WAVE (AIFF) files, and other sound files into the specified audio compression format.

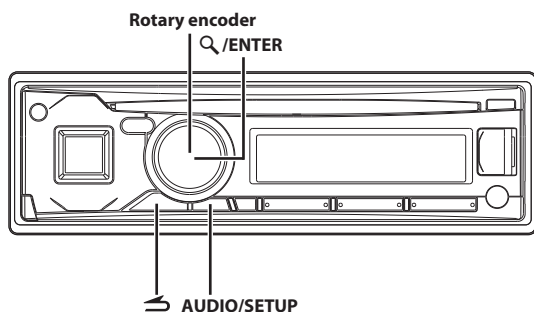
#### Tag

Song information such as track titles, artist names, album names, etc., written into MP3/WMA files.

#### Root folder

The root folder (or root directory) is found at the top of the file system. The root folder contains all folders and files. It is created automatically for all burned discs.

# Sound Setting



## Adjusting Subwoofer Level/Bass Level/ Middle Level/Treble Level/Balance (Between Left and Right)/Fader (Between Front and Rear)/Loudness/Defeat

- 1 Press **AUDIO/SETUP** repeatedly to choose the desired mode.

Each press changes the mode as follows:

SUBWOOFER\*1 → BASS LEVEL\*2 → MID LEVEL\*2 → TRE LEVEL\*2 →  
BALANCE → FADER → LOUDNESS\*2/\*3 → DEFEAT → VOLUME →  
SUBWOOFER

\*1 When the subwoofer mode is set to OFF, its level cannot be adjusted.

\*2 Adjustable only when DEFEAT is OFF.

\*3 For details about loudness, refer to "Turning Loudness On/Off" on page 14.

Subwoofer	+0 ~ +15
Bass level	-7 ~ +7
Middle level	-7 ~ +7
Treble level	-7 ~ +7
Balance	L15 ~ R15
Fader	R15 ~ F15
Loudness	ON/OFF
Defeat	ON/OFF
Volume	0 ~ 35

### Note

- If no operation is performed for 5 seconds, the unit automatically returns to normal mode.

- 2 Turn the **Rotary encoder** until the desired sound is obtained in each mode.

By setting DEFEAT ON, previously adjusted settings of BASS, MID, TRE LEVEL and LOUDNESS will return to the factory defaults.

## Audio Setup

You can flexibly customize the unit to suit your own preference and usage. From the AUDIO SETUP menu, Audio Setting can be modified.

**Use steps 1 to 5 to select one of the setting modes to modify. See the applicable section below for details about the selected setting item.**

- 1 Press and hold **AUDIO/SETUP** for at least 2 seconds to activate the **SETUP** mode.
- 2 Turn the **Rotary encoder** to select **AUDIO**, and then press **Q / ENTER**.  
AUDIO ↔ GENERAL ↔ DISPLAY ↔ iPod\*1  
\*1 CDE-141 only.
- 3 Turn the **Rotary encoder** to select the desired sound setting menu, and then press **Q / ENTER**.  
FACTORY EQ\*2/\*3 ↔ LOUDNESS\*2 ↔ 3BAND EQ\*2/\*4 ↔ VOL LV ADJ  
↔ HPF\*2 ↔ SUBWOOFER ↔ SUBW LPF\*2/\*5 ↔  
SUBW PHASE\*2/\*5/\*6 ↔ SUBW SYS\*5 ↔ POWER IC  
(e.g. Select SUBWOOFER)  
\*2 Adjustment cannot be performed when DEFEAT is set to ON.  
\*3 Any change made to either FACTORY EQ or 3BAND EQ is reflected in the others' settings.  
\*4 In step 3, three sound adjustment items (Bass, Mid and Treble) can be selected in 3BAND EQ mode. Turn the **Rotary encoder** to select the desired item, and then press **Q / ENTER** to continue to step 4.  
\*5 These functions are inoperable when SUBWOOFER is set to SUBW OFF.  
\*6 This function is inoperable when SUBW LPF is set to LPF OFF.
- 4 Turn the **Rotary encoder** to change the setting, and then press **Q / ENTER**.  
(e.g. Select SUBW ON or SUBW OFF)
- 5 Press and hold **AUDIO/SETUP** for at least 2 seconds to return to normal mode.

### Notes

- Pressing returns to the previous Sound menu mode.
- Pressing and holding for at least 2 seconds will return to normal mode.
- If no operation is performed for 60 seconds, Sound menu mode is canceled.

## Equalizer Presets (F-EQ)

10 typical equalizer settings are preset at the factory for a variety of musical source material.

### Setting item: FACTORY EQ

#### Setting contents:

USER / FLAT (Initial setting) / POPS / ROCK / NEWS / JAZZ /  
ELEC DANCE / HIP HOP / EASY LIS / COUNTRY / CLASSICAL

## Turning Loudness On/Off

Loudness introduces a special low-and high-frequency emphasis at low listening levels. This compensates for the ear's decreased sensitivity to bass and treble sound.

■ **Setting item:** LOUDNESS

**Setting contents:**

LOUD OFF (Initial setting) / LOUD ON

## Adjusting the Parametric Equalizer Curve (3BAND EQ)

You can modify the Equalizer settings to create a response curve more appealing to your personal taste. The setting of Bass, Mid and Treble can be adjusted in this mode.

■ **Setting item:** 3BAND EQ

■ **Further setting items:** BASS / MID / TREBLE

### Setting the Bass Control

1 After selecting BASS from the 3BAND EQ adjustment mode, turn the **Rotary encoder** to select the desired Bass setting item, and then press **Q / ENTER**.

WIDTH (Q) ↔ CENTER FRQ ↔ LEVEL

2 Turn the **Rotary encoder** to select the desired setting value, and then press **Q / ENTER**.

3 Press **↶** to return to the previous step.

■ **Setting the Bass Bandwidth (WIDTH (Q))**

Turn the **Rotary encoder** to select the desired bass bandwidth.

WIDE 0.50 ↔ MEDIUM 1.00 ↔ MEDIUM 1.50 ↔ NARROW 2.00

Changes the boosted bass bandwidth to wide or narrow. A wider setting will boost a wide range of frequencies above and below the center frequency. A narrower setting will boost only frequencies near the center frequency.

■ **Setting the Bass Center Frequency (CENTER FRQ)**

Turn the **Rotary encoder** to select the desired bass center frequency.

60 (Hz) ↔ 80 (Hz) ↔ 100 (Hz) ↔ 120 (Hz)

Emphasises the displayed bass frequency ranges.

■ **Setting the Bass Level**

Turn the **Rotary encoder** to select the desired bass level (-7~+7)\*.

You can emphasise or weaken the bass level.

\* The adjustment can also be made by pressing **AUDIO**. Refer to "Adjusting Subwoofer Level/Bass Level/Middle Level/Treble Level/Balance (Between Left and Right)/Fader (Between Front and Rear)/Loudness/Defeat" on page 13.

### Setting the Mid Control

1 After selecting MID from the 3BAND EQ adjustment mode, turn the **Rotary encoder** to select the desired Mediant setting item, and then press **Q / ENTER**.

WIDTH (Q) ↔ CENTER FRQ ↔ LEVEL

2 Turn the **Rotary encoder** to select the desired setting value, and then press **Q / ENTER**.

3 Press **↶** to return to the previous step.

■ **Setting the Mid Bandwidth (WIDTH (Q))**

Turn the **Rotary encoder** to select the desired Mid bandwidth.

WIDE 0.75 ↔ MEDIUM 1.00 ↔ MEDIUM 1.25 ↔ NARROW 1.50

■ **Setting the Mid Center Frequency (CENTER FRQ)**

Turn the **Rotary encoder** to select the desired Mid center frequency.

500 (Hz) ↔ 1.0k (Hz) ↔ 1.5k (Hz) ↔ 2.5k (Hz)

■ **Setting the Mid Level**

Turn the **Rotary encoder** to select the desired Mid level (-7 ~ +7)\*.

You can emphasise or weaken the Mid level.

\* The adjustment can also be made by pressing **AUDIO**. Refer to "Adjusting Subwoofer Level/Bass Level/Middle Level/Treble Level/Balance (Between Left and Right)/Fader (Between Front and Rear)/Loudness/Defeat" on page 13.

### Setting the Treble Control

1 After selecting TREBLE from the 3BAND EQ adjustment mode, turn the **Rotary encoder** to select the desired Treble setting item, and then press **Q / ENTER**.

WIDTH (Q) ↔ CENTER FRQ ↔ LEVEL

2 Turn the **Rotary encoder** to select the desired setting value, and then press **Q / ENTER**.

3 Press **↶** to return to the previous step.

■ **Setting the Treble Bandwidth (WIDTH (Q))**

Turn the **Rotary encoder** to select the desired treble bandwidth.

WIDE 0.75 ↔ NARROW 1.25

■ **Setting the Treble Center Frequency (CENTER FRQ)**

Turn the **Rotary encoder** to select the desired treble center frequency.

7.5K (Hz) ↔ 10.0K (Hz) ↔ 12.5K (Hz) ↔ 15.0K (Hz)

■ **Setting the Treble Level**

Turn the **Rotary encoder** to select the desired treble level (-7~+7)\*.

You can emphasise or weaken the treble level.

\* The adjustment can also be made by pressing **AUDIO**. Refer to "Adjusting Subwoofer Level/Bass Level/Middle Level/Treble Level/Balance (Between Left and Right)/Fader (Between Front and Rear)/Loudness/Defeat" on page 13.

Balance (Between Left and Right)/Fader (Between Front and Rear)/Loudness/Defeat” on page 13.

## Setting the Source Volume Level

The output level of each source is individually adjustable. For example, if the TUNER level sounds lower than CD, its output can be adjusted without affecting the other sources.

■ **Setting item:** VOL LV ADJ

■ **Further setting items:** TUNER / DISC / USB / iPod\* / AUX

**Setting contents:**

-14dB ~ +14dB

\* CDE-141 only.

## Adjusting the High Pass Filter

The High Pass Filter on this unit can be adjusted to suit your personal taste.

■ **Setting item:** HPF

**Setting contents:**

HPF OFF (Initial setting) / HPF 60 (Hz) / HPF 80 (Hz) /

HPF 120 (Hz) / HPF 160 (Hz)

All frequencies above the selected cutoff are output.

## Turning Subwoofer ON/OFF

When the subwoofer is on, you can adjust the subwoofer output level (refer to “Adjusting Subwoofer Level/Bass Level/Middle Level/Treble Level/Balance (Between Left and Right)/Fader (Between Front and Rear)/Loudness/Defeat” on page 13).

■ **Setting item:** SUBWOOFER

**Setting contents:**

SUBW OFF / SUBW ON (Initial setting)

**SUBW OFF:**

No subwoofer signal is output from the Subwoofer RCA Connectors (refer to “Connections” on page 29).

**SUBW ON:**

The subwoofer signal is output from the Subwoofer RCA Connectors (refer to “Connections” on page 29).

## Adjusting the Low Pass Filter

The Low Pass Filter on this unit can be adjusted to suit your personal taste.

■ **Setting item:** SUBW LPF

**Setting contents:**

LPF OFF (Initial setting) / LPF 60 (Hz) / LPF 80 (Hz) /

LPF 120 (Hz) / LPF 160 (Hz)

All frequencies lower than the selected cutoff are output.

## Setting the Subwoofer Phase

The subwoofer output phase is toggled SUBWOOFER NORMAL (0°) or SUBWOOFER REVERSE (180°). To adjust the level, turn the **Rotary encoder**.

■ **Setting item:** SUBW PHASE

**Setting contents:**

NORMAL (Initial setting) / REVERSE

## Setting the Subwoofer System

When the subwoofer is on, you can select either SYS 1 or SYS 2 for the desired subwoofer effect.

■ **Setting item:** SUBW SYS

**Setting contents:**

SUBW SYS 1 / SUBW SYS 2 (Initial setting)

**SUBW SYS 1:**

Subwoofer level changes according to the main volume setting.

**SUBW SYS 2:**

Subwoofer level change is different from the main volume setting. For example, even at low volume settings, the subwoofer is still audible.

## External Device

### Connecting to an External Amplifier (POWER IC)

When an external amplifier is connected, sound quality can be improved by stopping the power supply of the built-in amplifier.

■ **Setting item:** POWER IC

**Setting contents:**

OFF / ON (Initial setting)

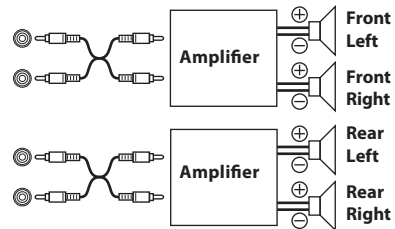
**OFF:**

Use this mode when the line output of this unit is used to drive an external amplifier. In this setting, the head unit's internal amplifier is turned OFF and cannot drive speakers.

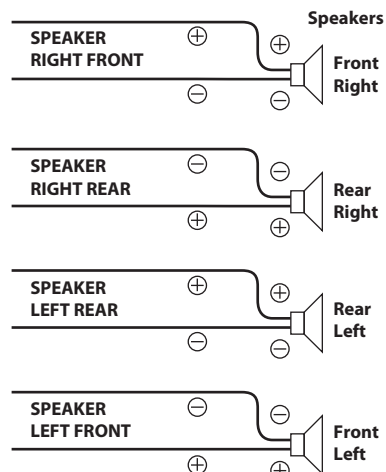
**ON:**

The speakers are driven by the built-in amplifier.

**OFF:**



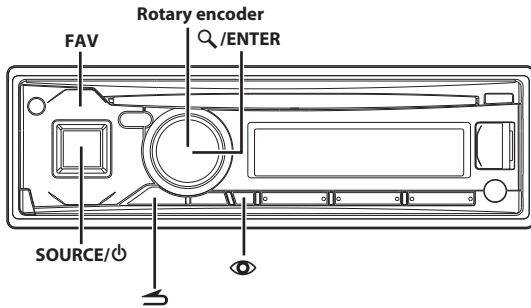
**ON:**



**Note**

- No sound is produced by the system when the power output is set to OFF.

# Other Functions




## Displaying the Text

Text information, such as the disc name and the track name, will be displayed if playing a CD text compatible disc. It is also possible to display the folder name, the file name and the tag, etc., while playing MP3/WMA files.

Press .

The display will change every time the button is pressed.

### Note

- When the TEXTSCROLL is set to SCR MANUAL, press and hold  for at least 2 seconds, the current text will be scrolled one time (except Radio mode).

### The display in Radio mode:

FREQUENCY → CLOCK → FREQUENCY

### The display in CD mode:

TRACK NO./ELAPSED TIME → TEXT (DISC NAME)<sup>\*1</sup> → TEXT (TRACK NAME)<sup>\*1</sup> → CLOCK → TRACK NO./ELAPSED TIME

### The display in MP3/WMA mode:

FILE NO./ELAPSED TIME → FOLDER NO./FILE NO. → FOLDER NAME → FILE NAME → ARTIST NAME<sup>\*2</sup> → ALBUM NAME<sup>\*2</sup> → SONG NAME<sup>\*2</sup> → FILE NO./CLOCK → FILE NO./ELAPSED TIME

### The display in iPod mode (CDE-141 only):

TRACK NO./ELAPSED TIME → ARTIST NAME → ALBUM NAME → SONG TITLE → CLOCK → TRACK NO./ELAPSED TIME





<sup>\*1</sup> Displayed during playback of a disc with CD text.

<sup>\*2</sup> ID3 tag

If an MP3/WMA file contains ID3 tag information, the ID3 tag information is displayed (e.g., song name, artist name, and album name). All other tag data is ignored.

## About the indication display

When displaying Text, the following indicators are lit according to the mode.

Indicator/ Mode	CD Mode	MP3/WMA Mode	iPod/iPhone <sup>*4</sup> Mode
	—	Folder Name <sup>*2</sup> being displayed	—
	—	Artist Name <sup>*1</sup> being displayed	Artist Name <sup>*1</sup> being displayed
	Text (Disc Name <sup>*3</sup> ) being displayed	Album Name <sup>*1</sup> being displayed	Album Name <sup>*1</sup> being displayed
	Text (Track Name <sup>*3</sup> ) being displayed	Song Name <sup>*1</sup> / File Name being displayed	Song Name <sup>*1</sup> being displayed

<sup>\*1</sup> Tag information:

If there is no tag information, "ARTIST"/"ALBUM"/"SONG" is displayed.

<sup>\*2</sup> The root folder is displayed as "ROOT".

<sup>\*3</sup> If there is no Text (Disc Name or Track Name), "DISC TEXT"/"TRACK TEXT" is displayed.

<sup>\*4</sup> CDE-141 only.

## About "Text"

Text compatible CDs contain text information such as the disc name and track name. Such text information is referred to as "text".

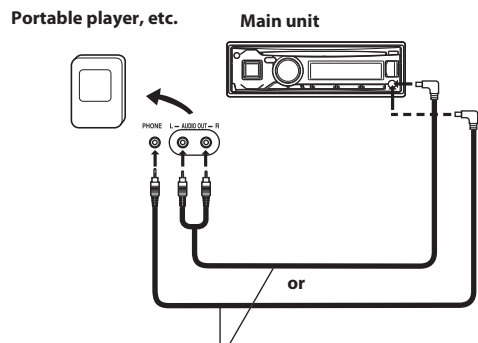
### Notes

- Some characters may not be displayed correctly with this device, depending on the character type.
- "NO SUPPORT" is displayed if text information is not supported by the unit.
- The text or tag information may not be correctly displayed, depending on the contents.

## Using the Front AUX Input Terminal

Connect a portable music player, etc. by simply connecting it to the input on the front panel. An optional adapter cable is required (standard RCA to 3.5ø mini-phono plug or 3.5ø to 3.5ø mini phono plug).

Press SOURCE/⏻, and select the AUXILIARY mode to listen to the portable device.



Optional adapter cable (RCA pin plugs [red, white] 3.5ø miniplugs) or (3.5ø miniplugs).



## Notes

- This function is available only when AUX SETUP is set to ON. For details, refer to “Setting the AUX SETUP mode” on page 18.
- If Flash Memory is directly connected to the USB terminal, the size or shape may interfere with driving operations. Avoid making connections to the AUX Input and USB Input terminals at the same time.

## Setting your favorite source to the FAV button (FAV SETUP)

You can set a favorite source to the FAV button by following steps. Once this is set, you can switch to favorite source directly by pressing **FAV**.

### Set your favorite source

**1** Press and hold **FAV** for at least 2 seconds to activate **FAV setup mode**.

**2** Turn the **Rotary encoder** to select a favorite source, and then press **Q/ENTER**.

The favorite source is set.

USB ↔ FM1 ↔ FM2 ↔ AM ↔ AUX ↔ DISC ↔ FAV OFF

## Notes

- You can also set the favorite source in **SETUP mode**, refer to “Setting your favorite source to the FAV button (FAV SETUP)” on page 18.
- If you do not want to use this function, select “FAV OFF”.
- If no operation is performed for 10 seconds, the unit automatically returns to normal mode.
- Pressing **↵** will return to normal mode.

### Recall your favorite source

Once a source is set to **FAV** button, press **FAV** to recall the source directly.

## Note

- Depending on the setting, even though you set a source to **FAV**, it may not be available. For example, when you set **AUX** as your favorite source and **OFF** is set in “Setting the AUX SETUP Mode” (refer to “Setting the AUX SETUP mode” on page 18), the **AUX** source will not be recalled by pressing **FAV**.

## Option Menu Setting

You can quickly adjust the setting items relevant to the current **SOURCE** by using Option Menu.

**1** Press and hold **Q/ENTER/OPTION** for at least 2 seconds to activate the Option menu of the current source.

### Note

- The option menu varies depending on the source.

**2** Turn the **Rotary encoder** to select the desired setting item, and then press **Q/ENTER**.

**3** Turn the **Rotary encoder** to change the setting, and then press **Q/ENTER**.

After the setting, the display will return to the current source automatically.

### Setting item:

#### TUNER mode:

VOL LV ADJ\*1

#### DISC mode:

CD SET\*2 ↔ VOL LV ADJ\*1

#### USB mode:

VOL LV ADJ\*1

#### iPod mode (CDE-141):

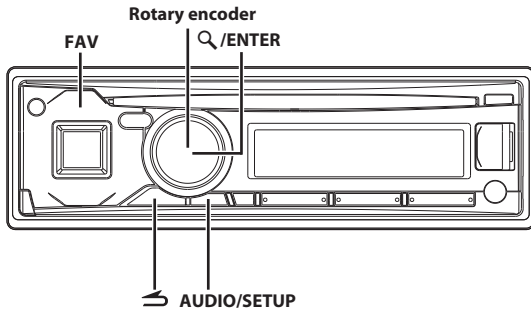
APP DIRECT\*3 ↔ iPod SET\*4 ↔ VOL LV ADJ\*1

#### AUX mode:

AUX SET\*5 ↔ VOL LV ADJ\*1

- \*1 You can individually emphasize or weaken the volume level of the current source to create your own tonal preference. The setting values in Option mode and in SETUP mode are linkage. Refer to “Setting the Source Volume Level” on page 15.
- \*2 **PLAY MODE** can be selected in this mode. For details, refer to “Playing MP3/WMA Data (PLAY MODE)” on page 18.
- \*3 Refer to “Setting the iPod Control” on page 21.
- \*4 The setting items are the same as iPod setting in **SETUP mode**. For details, refer to “iPod/iPhone Setting” on page 19.
- \*5 **AUX NAME** can be selected in this mode. For details, refer to “Setting the AUX NAME mode” on page 18.

# SETUP



## Setting

You can flexibly customize the unit to suit your own preferences and usage. From the SETUP menu, GENERAL Setting, DISPLAY Setting, etc., can be modified.

**Use steps 1 to 5 to select one of the SETUP modes to modify. See the applicable section below for details about the selected SETUP item.**

- 1 Press and hold AUDIO/SETUP for at least 2 seconds to activate the SETUP mode.**
- 2 Turn the Rotary encoder to select the desired item, and then press Q/ENTER.**

(e.g. Select GENERAL)  
AUDIO\*1 ↔ GENERAL ↔ DISPLAY ↔ iPod\*2  
GENERAL:  
CLOCK ADJ\*3 ↔ FAV SETUP ↔ AUX SETUP ↔ AUX NAME\*4 ↔ PLAY MODE ↔ DEMO  
DISPLAY:  
DIMMER ↔ TEXTSCROLL  
iPod:  
iPod LIST

\*1 Refer to "Audio Setup" on page 13.  
\*2 CDE-141 only.  
\*3 Refer to "Setting Time" on page 8.  
\*4 Displayed only when AUX SETUP is set to AUX ON.
- 3 Turn the Rotary encoder to select a setting item, and then press Q/ENTER.**

(e.g. Select AUX SETUP)
- 4 Turn the Rotary encoder to change the setting, and then press Q/ENTER.**

(e.g. Select AUX ON or AUX OFF.)
- 5 Press and hold AUDIO/SETUP for at least 2 seconds to return to normal mode.**

### Notes

- Press to return to the previous mode.
- Pressing and holding for at least 2 seconds will return to normal mode.
- If no operation is performed for 60 seconds, the unit will return to normal mode automatically.

## General Setting

GENERAL is selected on the setup main menu in step 2.

### Setting your favorite source to the FAV button (FAV SETUP)

You can select one source as your favorite source. Once this is set, you can switch to favorite source directly by pressing **FAV**.

#### Setting item: FAV SETUP

##### Setting contents:

USB / FM1 / FM2 / AM / AUX / DISC / FAV OFF (Initial setting)

#### Notes

- Depending on the setting, some item may not selectable.
- If you do not want to use this function, select "FAV OFF".
- This setting can also be activated by pressing and holding **FAV** for at least 2 seconds. For details, refer to "Setting your favorite source to the FAV button (FAV SETUP)" on page 17.

### Setting the AUX SETUP mode

You can input the audio of an external device, (such as a Portable audio player) to the AUX connector of this unit.

#### Setting item: AUX SETUP

##### Setting contents:

AUX OFF / AUX ON (Initial setting)

##### AUX OFF:

When set to OFF, AUX source cannot be selected.

##### AUX ON:

Set to ON when a portable device is connected. If **SOURCE/** is pressed and AUX is selected, the sound of the portable device is input to the unit.

### Setting the AUX NAME mode

You can change the AUX NAME display in the SETUP mode.

#### Setting item: AUX NAME

##### Setting contents:

AUXILIARY (Initial setting) / TV / DVD / PORTABLE / GAME

#### Note

- PORTABLE is abbreviated as PMD in the display.

### Playing MP3/WMA Data (PLAY MODE)

This unit can play back CDs containing both CD and MP3/WMA data (created in Enhanced CD (CD Extra) format). However, in some situations, playback of an enhanced CD may be difficult. In this case, you can choose to play back the CD data session only. When a disc contains both CD and MP3/WMA data, playback starts from the CD data portion of the disc.

#### Setting item: PLAY MODE

##### Setting contents:

CD-DA / CDDA/MP3 (Initial setting)

##### CD-DA:

Only the CD data in Session 1 can be played back.

##### CDDA/MP3:

CD data, MP3/WMA files in mixed mode, and multi-session discs can be played back.

#### Note

- Perform this setting before inserting a disc. If a disc has already been inserted, remove it first.

## Demonstration

This unit has a demonstration feature for the display.

### Setting item: DEMO

#### Setting contents:

DEMO OFF (Initial setting) / DEMO ON

#### Note

- To quit Demo mode, set to DEMO OFF.

## Display Setting

DISPLAY is selected on the setup main menu in step 2.

## Dimmer Control

Set the Dimmer control to Auto to decrease the illumination brightness of the unit with the head lights of the vehicle ON. This mode is useful if you feel the unit's backlighting is too bright at night.

### Setting item: DIMMER

#### Setting contents:

DIM MANUAL / DIM AUTO (Initial setting)

## Scroll Setting (TEXTSCROLL)

This CD player can scroll the disc and track names recorded on CD-TEXT discs, as well as the text information of MP3/WMA files, folder names and tags.

### Setting item: TEXTSCROLL

#### Setting contents:

SCR MANUAL (Initial setting) / SCR AUTO

#### SCR MANUAL:

The display is scrolled when a disc is loaded or when a track is changed, etc.

#### SCR AUTO:

The current text information of CD, folder, tag, etc. is scrolled automatically.

#### Note

- The unit scrolls CD text names, folder names, file names or tag display.

## iPod/iPhone Setting

"iPod" is selected on the setup main menu in step 2.

## iPod/iPhone Search Mode Setting

The unit allows you to search the iPod/iPhone using nine different search modes.

### Setting item: iPod LIST

#### Further setting items: PLAYLISTS / ARTISTS / ALBUMS / AUDIOBOOKS / PODCASTS / GENRES / COMPOSERS / SONGS / GENIUS MIX

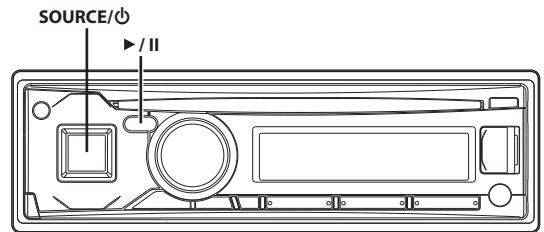
#### Setting contents:

OFF / ON

#### Notes

- The search mode for Playlists/Artists/Albums/Podcasts/Genres/ Songs/ Genius Mix, is initially set to On. The search mode for Audiobooks/ Composers, is initially set to Off.
- For search mode details, refer to "Searching for a desired Song" on page 21.

## Flash Memory (optional)



#### Note

- You can connect Nokia (Symbian™) phone via USB port to play back the music stored on your phone.

## Playing MP3/WMA Files from Flash Memory (optional)

If you connect Flash Memory containing MP3/WMA, the files can be searched and played back.

- Press SOURCE/ϕ to switch to the USB AUDIO mode.
- To pause playback, press ▶/||. Pressing ▶/|| again will resume the playback.

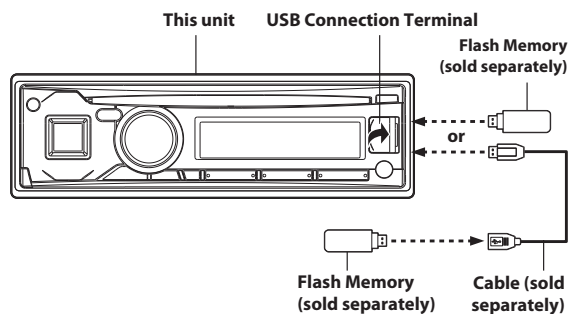
#### Notes

- The root folder is displayed as "ROOT" in the Folder Name Search mode.
- This unit plays back files in the Flash Memory with the same controls and modes as playback of CDs containing MP3/WMA. For details, refer to "CD/MP3/WMA" on page 10.
- Before disconnecting Flash Memory, be sure to change to another source or set to pause.
- The playback time may not be correctly displayed when a VBR (Variable Bit Rate) recorded file is played back.

## Flash Memory Connection (optional)

### Connect Flash Memory

- Open the cover of the USB Port.
- Connection the Flash Memory directly to the USB Port, or via the USB cable.



## Remove Flash Memory

- 1 Carefully, pull out the Flash Memory Device from the USB cable or the USB Port.
- 2 Close the cover of the USB Port.

### Notes

- Change to a source other than the Flash Memory mode, then remove the Flash Memory Device. If Flash Memory is removed in the Flash Memory mode, data may be damaged.
- When removing Flash Memory, pull it out straight.
- If sound is not output or Flash Memory is not recognized even when connected, remove the Flash Memory Device once, and then connect it again.
- Route the USB cable away from other cables, etc.
- After removing the Flash Memory, close the cover of the USB Port to prevent dust or foreign objects from entering and causing a malfunction.

## About MP3/WMA File of Flash Memory

### Playing back MP3/WMA

MP3/WMA files are prepared, and then stored to a Flash Memory Device. This unit can recognise at most 100 folders and 100 files per folder stored in Flash Memory. Playback may not be performed if a Flash Memory Device exceeds the limitations described above. Do not make a file's playback time more than 1 hour.

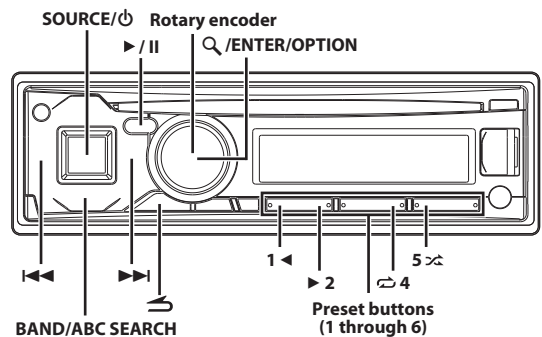
### Media supported

Only MP3/WMA files are supported. Other media types are ignored.

### Corresponding File Systems

This device supports FAT 12/16/32 for Flash Memory formats.

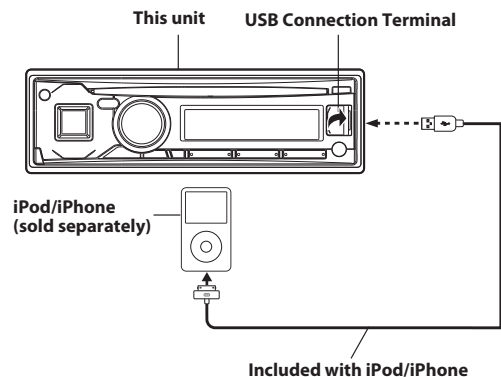
## iPod/iPhone (optional) (CDE-141 only)



## Connecting an iPod/iPhone

An iPod/iPhone can be connected to this unit by using the Interface cable for iPod (included with iPod). When an iPod/iPhone is connected to this unit, you can choose to control the iPod/iPhone using its own controls or by the head unit controls. For details, refer to "Setting the iPod Control" on page 21.

These instructions refer to controlling the iPod/iPhone from this Head Unit (HU) only. Make sure iPod Control is set to HU MODE (HEAD UNIT). Refer to "Setting the iPod Control" on page 21. Refer to the iPod/iPhone manual for operations using the iPod/iPhone.



### Note

- Internet and telephone functions of iPod touch or iPhone, etc., can also be used when connecting to the unit. However, using these functions will stop or pause the playing songs. At this time do not operate the unit to avoid a malfunction.

### About iPod/iPhone models usable with this unit

- Confirmed devices regarding Made for iPod. Correct function of earlier versions cannot be guaranteed.
  - iPod touch (4th generation): Ver.5.1.1
  - iPod nano (6th generation): Ver.1.2
  - iPod touch (3rd generation): Ver.5.1.1
  - iPod nano (5th generation): Ver.1.0.2
  - iPod classic (160 GB) (Late 2009): Ver.2.0.4
  - iPod touch (2nd generation): Ver.4.2.1
  - iPod nano (4th generation): Ver.1.0.4

- iPod classic (120 GB): Ver.2.0.1
- iPod touch (1st generation): Ver.3.1.3
- iPod nano (3rd generation): Ver.1.1.3
- iPod classic (80 GB, 160 GB): Ver.1.1.2
- Confirmed devices regarding Made for iPhone. Correct function of earlier versions cannot be guaranteed.
  - iPhone 4S: Ver.5.1.1
  - iPhone 4: Ver.5.1.1
  - iPhone 3GS: Ver.5.1.1
  - iPhone 3G: Ver.4.2.1
  - iPhone: Ver.3.1.3
- For clarity in identifying your model of iPod, please see Apple's own document "Identifying iPod models" at <http://support.apple.com/kb/HT1353>
- This unit does not support video playback from iPod/iPhone, even using a video-compatible cable.

## Setting the iPod Control

When an iPod/iPhone is connected, operate it from its own controls or from the head unit.

- Press and hold **Q** / **ENTER** / **OPTION** for at least 2 seconds in the iPod mode.  
The Option menu for iPod mode is activated.
- Turn the Rotary encoder to select **APP DIRECT**, and then press **Q** / **ENTER**.  
The iPod control mode will switch between iPod MODE and HU MODE.  
**HU MODE (HEAD UNIT):**  
Operate the iPod/iPhone via this unit.  
**iPod MODE:**  
Operate the iPod/iPhone using its own controls. When iPod is selected, some functions will not be operable via the head unit.

### Notes

- During HU MODE, you can switch to iPod MODE directly by pressing **BAND**.
- The "**APP**" indicator lights up when the iPod mode is activated.
- Once the control mode is changed, the iPod/iPhone is paused. Press **▶/||** to continue.
- Depending upon the iPod used, iPod control may not be selectable. Or, if iPod is selected, operation must still be from the head unit.

## Playback

- Press **SOURCE** / **⏏** to switch to the iPod mode.
- Press **⏮** or **⏭** to select the desired song.  
Pressing and holding **⏮** or **⏭** will fast backward/fast forward the current track.
- To pause playback, press **▶/||**.  
Pressing **▶/||** again will resume playback.

### Notes

- A song playing on the iPod/iPhone while it is connected to this unit will continue to play from where it was paused after disconnection.
- If you listen to an episode from a selected Podcast or Audiobook, the episode can be changed by pressing **1◀** or **▶2**.
- An episode may have several chapters. The chapter can be changed by pressing **⏮** or **⏭**.
- During iPod/iPhone playback, press **↵**, and then you can quickly return to the hierarchy level selected last time in the search mode.

## Searching for a desired Song

An iPod/iPhone can contain thousands of songs. Use one of the search modes listed below, that you deem most effective in finding a desired song.

Each music category has its own individual hierarchy. Use the Playlist/Artist/Album/Song/Podcast/Genre/Composer/Audiobook/Genius Mix search mode to narrow searches based on the table below.

Hierarchy 1	Hierarchy 2	Hierarchy 3	Hierarchy 4
Playlist	Song	—	—
Artist*	Album*	Song	—
Album*	Song	—	—
Song	—	—	—
Podcast	Episode	—	—
Genre*	Artist*	Album*	Song
Composer*	Album*	Song	—
Audiobook	—	—	—
Genius Mix list	—	—	—

### Note

- You can select your preferred search mode. Refer to "iPod/iPhone Search Mode Setting" on page 19.

### For example:

Searching by Artist name

The following example explains how an ARTIST search is performed. Another search mode can be used for the same operation, although the hierarchy differs.

- Press **Q** / **ENTER** to activate the search selection mode.  
The "**Q**" indicator lights up.
- Turn the Rotary encoder to select the **ARTIST** search mode, and then press **Q** / **ENTER**.  
SHUFFLE ALL\*1 ↔ PLAYLIST ↔ ARTIST ↔ ALBUM ↔ SONG ↔ PODCAST ↔ GENRE ↔ COMPOSER ↔ AUDIOBOOK ↔ GENIUS MIX\*2/\*3 ↔ SHUFFLE ALL  
\*1 Refer to "Random Play Shuffle (M.I.X.)" on page 23.  
\*2 Depending on the connected iPod/iPhone, Genius Mix function may not be supported.  
\*3 When an iPod/iPhone with Genius Mix list created by iTunes is connected to this unit, GENIUS MIX search mode can be used to play back the songs of the list.
- Turn the Rotary encoder to select the desired Artist, and then press **Q** / **ENTER**.
- Turn the Rotary encoder to select the desired Album, and then press **Q** / **ENTER**.
- Turn the Rotary encoder to select the desired Song, and then press **Q** / **ENTER**.

### Note

- The display of search mode list varies depending on the setting of iPod LIST. For details, refer to "iPod/iPhone Search Mode Setting" on page 19.

## Notes

- After pressing and holding **Q/ENTER** for at least 2 seconds while in each hierarchy (except Song, Audiobook and Genius Mix list hierarchy), all songs of the selected hierarchy are played back.
- Playback [ALL] is only applicable for those categories marked with <sup>as</sup>, (refer to the table on the previous page) press and hold **Q/ENTER** for at least 2 seconds to play back all songs in the iPod/iPhone or selected search mode.
- While in the search mode, if you press and hold **↵** for 2 seconds, or no operation is performed for 10 seconds, the search mode is canceled.
- In the search mode, pressing **↵** will return to the previous mode.
- When search is made during M.I.X. play, the M.I.X. play mode will be canceled.
- "NO SONG" will be displayed if there are no songs in the selected playlist in the PLAYLIST search mode.
- "NO PODCAST" will be displayed if there is no podcast data in the iPod/iPhone in the PODCAST search mode.
- "NOAUDIOBOOK" will be displayed if there is no audiobook data in the iPod/iPhone in AUDIOBOOK search mode.
- "NO GENIUS" will be displayed if there is no Genius Mix list in the connected iPod/iPhone.
- If "iPod name" stored in the iPod/iPhone is selected in the desired Playlist search mode, and **Q/ENTER** is pressed, you can search for all songs in the iPod/iPhone. Also, if you press and hold **Q/ENTER** for at least 2 seconds, all songs in the iPod/iPhone are played back.
- Depending on the iPod/iPhone, podcast search is not supported.
- If any one of the **preset buttons (1 through 6)** is pressed in the search mode, a search can be made quickly by skipping to the specified location. For details, refer to "Direct Search Function" on page 22.

## Alphabet search function

The unit's alphabet search function can be used to search for an album, song, etc., more efficiently. In PLAYLIST/ARTIST/ALBUM/SONG/PODCAST/GENRE/COMPOSER/AUDIOBOOK search mode, select the first letter of your desired title (album, song, etc.), the titles beginning with this letter are listed. By using this function, you can quickly target any song.

- 1 After selecting the search mode, press BAND/ABC SEARCH.**  
The letter selection list is displayed.
- 2 Turn the Rotary encoder to select a desired letter (e.g. M), and then press Q/ENTER.**  
The titles beginning with "M" are listed.
- 3 Turn the Rotary encoder to select the desired title.**

## Notes

- While in Alphabet search mode, pressing **↵** will return to the previous mode.
- If the PLAYLIST search mode is used to search for a song, the Alphabet search function is inactive in the song search hierarchy.

## Direct Search Function

The unit's direct search function can be used to search for an album, song, etc., more efficiently. In PLAYLIST/ARTIST/ALBUM/SONG/PODCAST/GENRE/COMPOSER/AUDIOBOOK mode, you can quickly target any song.

**In the search mode, press any one of the preset buttons (1 through 6) to quickly skip over a designated percent of your song content.**

### Song search example:

If there are 100 songs in your iPod/iPhone, they are divided into 6 groups using percentages (shown below). These groups are assigned to the preset buttons (1 through 6).

### Example 1:

Suppose the song you are searching for is located at around the middle (50%) of your library: press button 4 to jump to the 50th song and turn the **Rotary encoder** to find the desired song.

### Example 2:

Suppose the song you are searching for is located near the end (83%) of your library: press button 6 to jump to the 83rd song and turn the **Rotary encoder** to find the desired song.

	All 100 songs (100%)					
	0%	17%	33%	50%	67%	83%
Preset buttons	1	2	3	4	5	6
Songs	1st song	17th song	33rd song	50th song	67th song	83rd song

## Note

- This function is also applicable to CD/MP3/WMA search.

## Select Playlist/Artist/Album/Genre/Composer

Playlist/Artist/Album/Genre/Composer can be easily changed. For example, if you listen to a song from a selected album, the album can be changed.

**Press 1 ◀ or ▶ 2 to select the desired Playlist/Artist/Album/Genre/Composer.**

## Notes

- If the song search mode was used to select a song, this function is inactive.
- If an album is selected during an artist search, other albums by that artist are searchable.
- This function is inactive during shuffle (🔀) playback.

## Random Play Shuffle (M.I.X.)

The Shuffle function of the iPod/iPhone is displayed as  on this unit.

### Shuffle Albums:



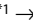

The songs on each album are played back in proper order. Upon completion of all the songs on the album, the next album is selected randomly. This continues until all albums have been played.

### Shuffle Songs:

Song shuffle randomly plays back songs within a selected category (playlist, album, etc.). The songs within the category are played just once until all songs have been played.

#### 1 Press 5 .

The songs are played back in random sequence.

 \*1 → \*2 → (off) → 

\*1 Shuffle Albums.

\*2 Shuffle Songs.

#### 2 To cancel M.I.X. play, select (off) with the above procedure.

##### Note


- If a song is selected in the album search mode before selecting M.I.X. play, the songs will not play back randomly even when Shuffle Albums is selected.

### Shuffle ALL:

Shuffle ALL plays all songs in the iPod/iPhone randomly. Any one song does not play back again until all songs have been played back.

#### 1 Press /ENTER to activate the search selection mode.

#### 2 Turn the Rotary encoder to select SHUFFLE ALL, and then press /ENTER.

The "ALL  " indicator lights up.

To cancel M.I.X. play, press 5  to select OFF.

##### Note

- If Shuffle ALL is selected, the selected songs being played back in the search mode are canceled.

## Repeat Play



Only Repeat One is available for the iPod/iPhone.

### Repeat One:

A single song is repeatedly played back.

#### 1 Press 4.

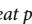
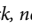
The song is played back repeatedly.

\* → (off) → 

\* Repeat One.

#### 2 To cancel repeat play, select (off) with the above procedure.

##### Note

- During repeat playback, no other songs are selectable by pressing  or .

## Information

### In Case of Difficulty

If you encounter a problem, please turn the power off, then on again. If the unit is still not functioning normally, please review the items in the following checklist. This guide will help you isolate the problem if the unit is at fault. Otherwise, make sure the rest of your system is properly connected or consult your authorized Alpine dealer.

#### Basic

##### No function or display.

- Vehicle's ignition is off.
  - If connected following instructions, the unit will not operate with the vehicle's ignition off.
- Improper power lead (Red) and battery lead (Yellow) connections.
  - Check power lead and battery lead connections.
- Blown fuse.
  - Check the fuse of the unit; replace with the proper value if necessary.

#### Radio

##### Unable to receive stations.

- No antenna or open connection in cable.
  - Make sure the antenna is properly connected; replace the antenna or cable if necessary.

##### Unable to tune stations in the seek mode.

- You are in a weak signal area.
  - Make sure the tuner is in the DX mode.
- If the area you are in is a primary signal area, the antenna may not be grounded and connected properly.
  - Check your antenna connections; make sure the antenna is properly grounded at its mounting location.
- The antenna may not be the proper length.
  - Make sure the antenna is fully extended; if broken, replace the antenna with a new one.

##### Broadcast is noisy.

- The antenna is not the proper length.
  - Extend the antenna fully; replace it if it is broken.
- The antenna is poorly grounded.
  - Make sure the antenna is grounded properly at its mounting location.

#### CD

##### CD Player not functioning.

- Out of operating temperature range +50°C (+120°F) for CD.
  - Allow the vehicle's interior (or trunk) temperature to cool.

##### CD playback sound is wavering.

- Moisture condensation in the CD Module.
  - Allow enough time for the condensation to evaporate (about 1 hour).

##### CD insertion not possible.

- A CD is already in the CD player.
  - Eject the CD and remove it.
- The CD is being improperly inserted.
  - Make sure the CD is being inserted following instructions in the CD Player Operation section.

#### Unable to fast forward or backward the CD.

- The CD has been damaged.
  - Eject the CD and discard it; using a damaged CD in your unit can cause damage to the mechanism.

#### CD playback sound skips due to vibration.

- Improper mounting of the unit.
  - Securely re-mount the unit.
- The disc is very dirty.
  - Clean the disc.
- The disc has scratches.
  - Change the disc.
- The pick-up lens is dirty.
  - Do not use a commercially available lens cleaner disc. Consult your nearest Alpine dealer.

#### CD playback sound skips without vibration.

- The disc is dirty or scratched.
  - Clean the disc; damaged disc should be replaced.

#### Error displays (built-in CD player only).

- Mechanical error
  - Press **▲**. After the error indication disappears, insert the disc again. If the above-mentioned solution does not solve the problem, consult your nearest Alpine dealer.

#### CD-R/CD-RW playback not possible.

- Close session (finalisation) has not been performed.
  - Perform finalisation and attempt playback again.

### MP3/WMA

#### MP3/WMA is not played back.

- Writing error occurred. The MP3/WMA format is not compatible.
  - Make sure the MP3/WMA has been written in a supported format. Refer to “About MP3/WMA” on page 12, then rewrite in the format supported by this device.

### Audio

#### The sound is not output from the speakers.

- Unit has no output signal of the internal amplifier.
  - POWER IC is switched to “ON”, refer to “Connecting to an External Amplifier (POWER IC)” on page 15.

### iPod (CDE-141 only)

#### iPod does not play and no sound is output.

- The iPod has not been recognised.
  - To reset the iPod, refer to the Owner's Manual of the iPod.

### Indication for CD Player

#### NO DISC

- No CD is inserted.
  - Insert a CD.
- Although a disc is inserted, “NO DISC” is displayed and the unit does not start to play or eject the disc.
  - Remove the disc by following these steps:  
Press the **▲** button again for at least 2 seconds.  
If the disc still does not eject, consult your Alpine dealer.

#### ERROR

- Mechanism error.
  - 1 Press the **▲** button and eject the CD.  
If not ejecting, consult your Alpine dealer.
  - 2 When the error indication remains after ejecting, press the **▲** button again.  
If the error indication still does not turn off after pressing the **▲** button for a few times, consult your Alpine dealer.

#### UNSUPPORTED

- A sampling rate/bit rate not supported by the unit is used.
  - Use a sampling rate/bit rate that is supported by the unit.

### Indication for Flash Memory

#### DEVICE ERR

- A USB device that is not supported by the unit is connected.
  - Connect a USB device that is supported by the unit.

#### NO DEVICE

- A Flash Memory is not connected.
  - Make sure the Flash Memory device is correctly connected and the cable is not excessively bent.

#### NO FILE

- No MP3/WMA (file) is stored in the Flash Memory.
  - Connect the Flash Memory device after storing songs (files).

#### UNSUPPORTED

- A sampling rate/bit rate not supported by the unit is used.
  - Use a sampling rate/bit rate that is supported by the unit.

#### NO SUPPORT

- Text information that is not recognizable by the unit has been input.
  - Use a Flash Memory device with input text information that is supported by the unit.

#### ERROR-01

- Communication error
  - Turn the ignition key off, and then set to ON again.
  - Check the display by reconnecting between the Flash Memory and this unit.

#### ERROR-04

- Power surge error  
Excessive voltage/current is supplied to the Flash Memory.
  - Try another Flash Memory, if available.



## PROTECT

- A copy-protected WMA file was played back.
    - You can only play back non-copy-protected files.
- 

## Indication for iPod Mode (CDE-141 only)

### NO DEVICE

- The iPod/iPhone is not connected.
    - Make sure the iPod/iPhone is correctly connected (Refer to “Connecting an iPod/iPhone” on page 20).  
Make sure the cable is not bent excessively.
- 

### NO SONG

- There are no songs in the iPod/iPhone.
    - Download songs to the iPod/iPhone and connect to this unit.
- 

### ERROR-01

- Communication error
    - Turn the ignition key off, and then set to ON again.
    - Reset the iPod.
    - Check the display by reconnecting between the iPod/iPhone and this unit, using the iPod/iPhone cable.
- 

### ERROR-02

- Caused by the iPod/iPhone Software Version not being compatible with this unit.
    - Update the iPod/iPhone Software Version to be compatible with this unit.
- 

### ERROR-03

- The iPod/iPhone is not verified.
    - Reset the iPod.
    - Try another iPod/iPhone, if available.
- 

### ERROR-04

- Power surge error  
Excessive voltage/current is supplied to the iPod/iPhone.
    - Try another iPod/iPhone, if available.
-

---

## Specifications

---

### FM TUNER SECTION

Tuning Range	87.7~107.9 MHz
Mono Usable Sensitivity	9.3 dBf (0.8 $\mu$ V/75 ohms)
50 dB Quieting Sensitivity	13.5 dBf (1.3 $\mu$ V/75 ohms)
Alternate Channel Selectivity	80 dB
Signal-to-Noise Ratio	65 dB
Stereo Separation	35 dB
Capture Ratio	2.0 dB

### AM TUNER SECTION

Tuning Range	530~1,710 kHz
Sensitivity (IEC Standard)	22.5 $\mu$ V/27 dB

### CD PLAYER SECTION

Frequency Response	5~20,000 Hz ( $\pm$ 1 dB)
Wow & Flutter (% WRMS)	Below measurable limits
Total Harmonic Distortion	0.008% (at 1 kHz)
Dynamic Range	95 dB (at 1 kHz)
Signal-to-Noise Ratio	105 dB
Channel Separation	85 dB (at 1 kHz)

### PICKUP

Wave length	795 nm
Laser power	CLASS I

### USB SECTION

USB requirements	USB 1.1/2.0
Max. Power Consumption	1,000 mA
USB Class	Mass Storage
File System	FAT 12/16/32
MP3 Decoding	MPEG AUDIO Layer-3
WMA Decoding	Windows Media™ Audio

### GENERAL

Power Requirement	14.4 V DC (11~16 V allowable)
Power Output	18 W RMS $\times$ 4*

\* Primary amplifier ratings per CEA-2006 Standard

- Power output: measured at 4 Ohms and  $\leq$  1% THD+N
- S/N: 80 dBA (reference: 1 W into 4 Ohms)

Maximum Pre-Output Voltage	2 V/10 k ohms
Bass	$\pm$ 14 dB at 100 Hz
Treble	$\pm$ 14 dB at 10 kHz
Loudness	10 dB at 100 Hz
Weight	1.4 kg (3 lbs. 1 oz)

### CHASSIS SIZE

Width	178 mm (7")
Height	50 mm (2")
Depth	161.5 mm (6-3/8")

### NOSEPIECE SIZE

Width	169 mm (6-3/4")
Height	45 mm (1-3/4")
Depth	25 mm (1")

### Note

- Due to continuous product improvement, specifications and design are subject to change without notice.

---

---

# Installation and Connections

Before installing or connecting the unit, please read the following and refer to "Operating Instructions" on page 5 for proper use.

## WARNING

---

### MAKE THE CORRECT CONNECTIONS.

Failure to make the proper connections may result in fire or product damage.

---

### USE ONLY IN CARS WITH A 12 VOLT NEGATIVE GROUND.

(Check with your dealer if you are not sure.) Failure to do so may result in fire, etc.

---

### BEFORE WIRING, DISCONNECT THE CABLE FROM THE NEGATIVE BATTERY TERMINAL.

Failure to do so may result in electric shock or injury due to electrical shorts.

---

### DO NOT SPLICE INTO ELECTRICAL CABLES.

Never cut away cable insulation to supply power to other equipment. Doing so will exceed the current carrying capacity of the wire and result in fire or electric shock.

---

### DO NOT DAMAGE PIPE OR WIRING WHEN DRILLING HOLES.

When drilling holes in the chassis for installation, take precautions so as not to contact, damage or obstruct pipes, fuel lines, tanks or electrical wiring. Failure to take such precautions may result in fire.

---

### DO NOT USE BOLTS OR NUTS IN THE BRAKE OR STEERING SYSTEMS TO MAKE GROUND CONNECTIONS.

Bolts or nuts used for the brake or steering systems (or any other safety-related system), or tanks should NEVER be used for installations or ground connections. Using such parts could disable control of the vehicle and cause fire etc.

---

### KEEP SMALL OBJECTS SUCH AS BATTERIES OUT OF THE REACH OF CHILDREN.

Swallowing them may result in serious injury. If swallowed, consult a physician immediately.

---

### DO NOT INSTALL IN LOCATIONS WHICH MIGHT HINDER VEHICLE OPERATION, SUCH AS THE STEERING WHEEL OR GEARSHIFT.

Doing so may obstruct forward vision or hamper movement etc. and results in serious accident.

---

### DO NOT ALLOW CABLES TO BECOME ENTANGLED IN SURROUNDING OBJECTS.

Arrange wiring and cables in compliance with the manual to prevent obstructions when driving. Cables or wiring that obstruct or hang up on places such as the steering wheel, gear lever, brake pedals, etc. can be extremely hazardous.

---

## CAUTION

---

### HAVE THE WIRING AND INSTALLATION DONE BY EXPERTS.

The wiring and installation of this unit requires special technical skill and experience. To ensure safety, always contact the dealer where you purchased this product to have the work done.

---

### USE SPECIFIED ACCESSORY PARTS AND INSTALL THEM SECURELY.

Be sure to use only the specified accessory parts. Use of other than designated parts may damage this unit internally or may not securely install the unit in place. This may cause parts to become loose resulting in hazards or product failure.

---

### ARRANGE THE WIRING SO IT IS NOT CRIMPED OR PINCHED BY A SHARP METAL EDGE.

Route the cables and wiring away from moving parts (like the seat rails) or sharp or pointed edges. This will prevent crimping and damage to the wiring. If wiring passes through a hole in metal, use a rubber grommet to prevent the wire's insulation from being cut by the metal edge of the hole.

---

### DO NOT INSTALL IN LOCATIONS WITH HIGH MOISTURE OR DUST.

Avoid installing the unit in locations with high incidence of moisture or dust. Moisture or dust that penetrates into this unit may result in product failure.

---

## PRECAUTIONS

- Be sure to disconnect the cable from the (-) battery post before installing your CDE-141/CDE-140. This will reduce any chance of damage to the unit in case of a short-circuit.
- Be sure to connect the color coded leads according to the diagram. Incorrect connections may cause the unit to malfunction or damage to the vehicle's electrical system.
- When making connections to the vehicle's electrical system, be aware of the factory installed components (e.g. on-board computer). Do not tap into these leads to provide power for this unit. When connecting the CDE-141/CDE-140 to the fuse box, make sure the fuse for the intended circuit of the CDE-141/CDE-140 has the appropriate amperage. Failure to do so may result in damage to the unit and/or the vehicle. When in doubt, consult your Alpine dealer.
- The CDE-141/CDE-140 uses female RCA-type jacks for connection to other units (e.g. amplifier) having RCA connectors. You may need an adaptor to connect other units. If so, please contact your authorized Alpine dealer for assistance.
- Be sure to connect the speaker (-) leads to the speaker (-) terminal. Never connect left and right channel speaker cables to each other or to the vehicle body.

---

### IMPORTANT

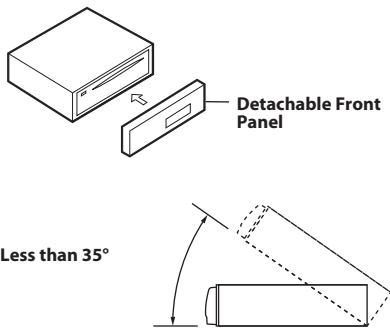
Please record the serial number of your unit in the space provided below and keep it as a permanent record. The serial number or the engraved serial number is located on the bottom of the unit.

SERIAL NUMBER: [	]
INSTALLATION DATE: [	]
INSTALLATION TECHNICIAN: [	]
PLACE OF PURCHASE: [	]

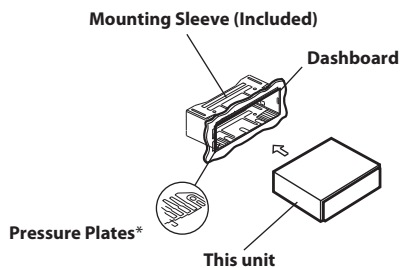
# Installation

## ⚠ CAUTION

When you install this unit in your car, do not remove the detachable front panel. If the detachable front panel is removed during installation, you might press too hard and warp the metal plate that holds it in place. The main unit must be mounted within 35 degrees of the horizontal plane, back to front.



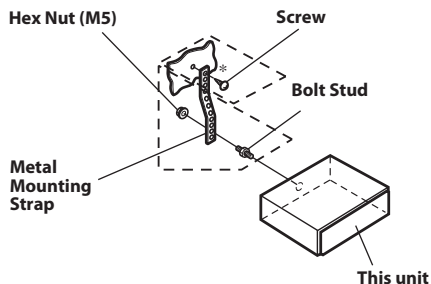
- 1 Remove the mounting sleeve from the main unit (Refer to "Removal" on page 28).



\* If the installed mounting sleeve is loose in the dashboard, the pressure plates may be bent slightly to remedy the problem.

- 2 Reinforce the head unit with the metal mounting strap (not supplied). Secure the ground lead of the unit to a clean metal spot.

Connect each input lead coming from an amplifier to the corresponding output lead coming from the left rear of the CDE-141/CDE-140. Connect all other leads of the CDE-141/CDE-140 according to details described in the CONNECTIONS section.



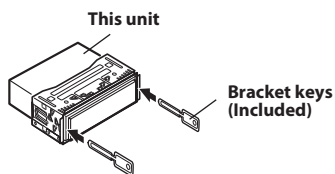
## Note

- For the screw marked "6", use an appropriate screw for the chosen mounting location.

- 3 Slide the CDE-141/CDE-140 into the dashboard until it clicks. This ensures that the unit is properly locked and will not accidentally come out from the dashboard. Install the detachable front panel.

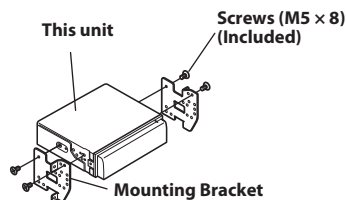
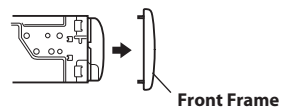
## Removal

- 1 Remove the detachable front panel.
- 2 Insert the bracket keys into the unit, along the guides on either side. The unit can now be removed from the mounting sleeve.

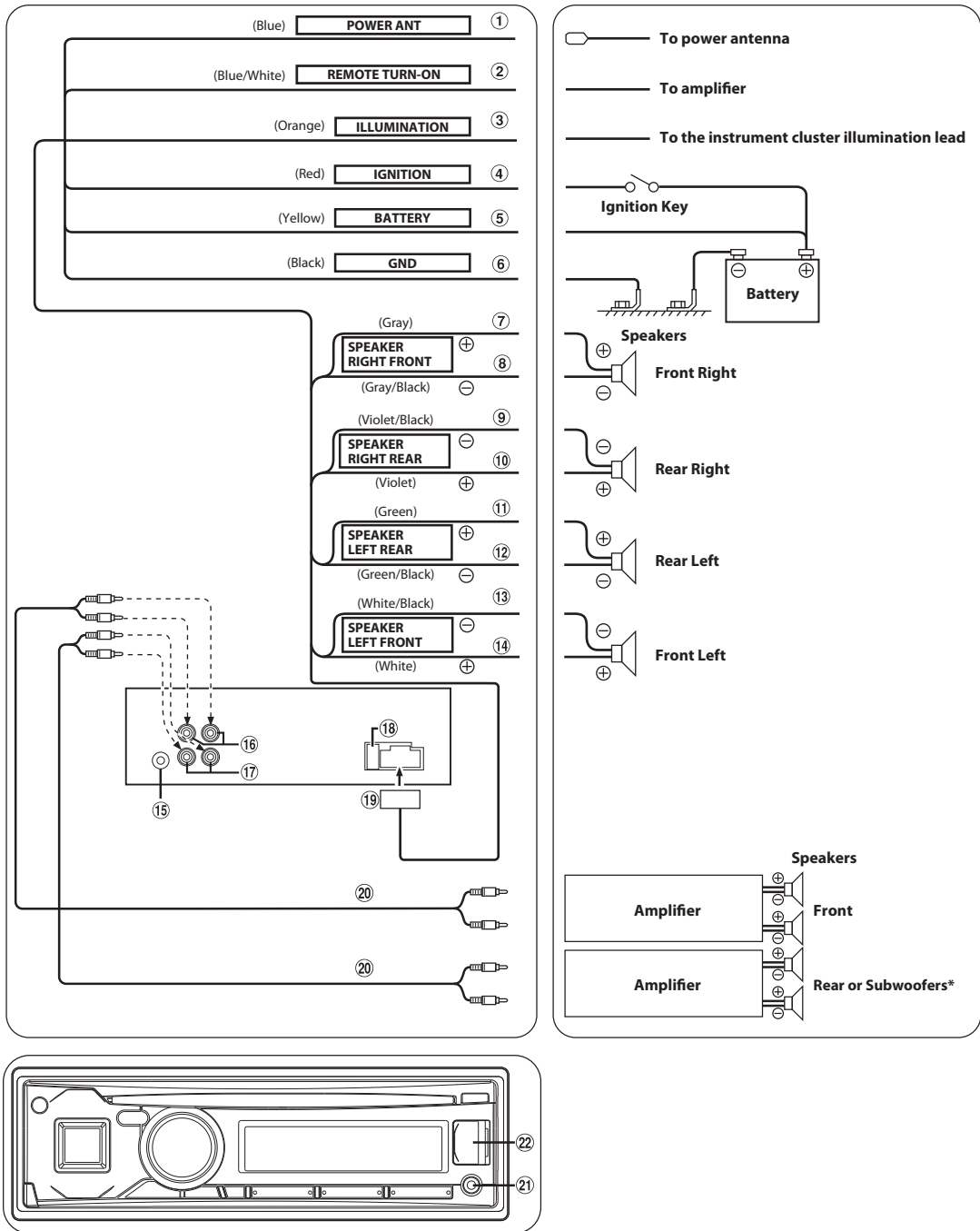


- 3 Pull the unit out, keeping it unlocked as you do so.

## JAPANESE CAR



# Connections



\* When Subwoofer is OFF: Output is for Rear speakers. When Subwoofer is ON: Output is for Subwoofer. For details on how to set the Subwoofer to ON/OFF, refer to "Turning Subwoofer ON/OFF" on page 15.

① **Power Antenna Lead (Blue)**

Connect this lead to the +B terminal of your power antenna, if applicable.

**Note**

- This lead should be used only for controlling the vehicle's power antenna. Do not use this lead to turn on an amplifier or a signal processor, etc.

② **Remote Turn-On Lead (Blue/White)**

Connect this lead to the remote turn-on lead of your amplifier or signal processor.

③ **Illumination Lead (Orange)**

This lead may be connected to the vehicle's instrument cluster illumination lead. This will allow the backlighting of this unit to dim whenever the vehicle's lights are turned on.

④ **Switched Power Lead (Ignition) (Red)**

Connect this lead to an open terminal on the vehicle's fuse box or another unused power source which provides (+) 12V only when the ignition is turned on or in the accessory position.

⑤ **Battery Lead (Yellow)**

Connect this lead to the positive (+) post of the vehicle's battery.

⑥ **Ground Lead (Black)**

Connect this lead to a good chassis ground on the vehicle. Make sure the connection is made to bare metal and is securely fastened using the sheet metal screw provided.

⑦ **Right Front (+) Speaker Output Lead (Gray)**

⑧ **Right Front (-) Speaker Output Lead (Gray/Black)**

⑨ **Right Rear (-) Speaker Output Lead (Violet/Black)**

⑩ **Right Rear (+) Speaker Output Lead (Violet)**

⑪ **Left Rear (+) Speaker Output Lead (Green)**

⑫ **Left Rear (-) Speaker Output Lead (Green/Black)**

⑬ **Left Front (-) Speaker Output Lead (White/Black)**

⑭ **Left Front (+) Speaker Output Lead (White)**

⑮ **Antenna Receptacle**

⑯ **Front Output RCA Connectors**

RED is right and WHITE is left.

⑰ **Rear/Subwoofer Output RCA Connectors**

RED is right and WHITE is left.

⑱ **Fuse Holder (10A)**

⑲ **Power Supply Connector**

⑳ **RCA Extension Cable (sold separately)**

㉑ **Front AUX Input Terminal**

This terminal allows for input of audio from an external device (such as a portable player), using a commercially-available converter cable.

㉒ **USB Terminal**

Connect this to a Flash Memory or an iPod/iPhone (sold separately).

**To prevent external noise from entering the audio system.**

- Locate the unit and route the leads at least 10 cm away from the car harness.
- Keep the battery power leads as far away from other leads as possible.
- Connect the ground lead securely to a bare metal spot (remove any paint, dirt or grease if necessary) of the car chassis.
- If you add an optional noise suppressor, connect it as far away from the unit as possible. Your Alpine dealer carries various noise suppressors, contact them for further information.
- Your Alpine dealer knows best about noise prevention measures so consult your dealer for further information.



## LIMITED WARRANTY

ALPINE ELECTRONICS OF AMERICA, INC. AND ALPINE OF CANADA INC. ("Alpine"), are dedicated to quality craftsmanship and are pleased to offer this Warranty. We suggest that you read it thoroughly. Should you have any questions, please contact your Dealer or contact Alpine at one of the telephone numbers listed below.

### ● PRODUCTS COVERED:

This Warranty covers Car Audio Products and Related Accessories ("the product"). Products purchased in the Canada are covered only in the Canada. Products purchased in the U.S.A. are covered only in the U.S.A.

### ● LENGTH OF WARRANTY:

This Warranty is in effect for one year from the date of the first consumer purchase.

### ● WHO IS COVERED:

This Warranty only covers the original purchaser of the product, who must reside in the United States, Puerto Rico or Canada.

### ● WHAT IS COVERED:

This Warranty covers defects in materials or workmanship (parts and labor) in the product.

### ● WHAT IS NOT COVERED:

This Warranty does not cover the following:

- ① Damage occurring during shipment of the product to Alpine for repair (claims must be presented to the carrier).
- ② Damage caused by accident or abuse, including burned voice coils caused by over-driving the speaker (amplifier level is turned up and driven into distortion or clipping). Speaker mechanical failure (e.g. punctures, tears or rips). Cracked or damaged LCD panels. Dropped or damaged hard drives.
- ③ Damage caused by negligence, misuse, improper operation or failure to follow instructions contained in the Owner's manual.
- ④ Damage caused by act of God, including without limitation, earthquake, fire, flood, storms or other acts of nature. Any cost or expense related to the removal or reinstallation of the product.
- ⑤ Service performed by an unauthorized person, company or association.
- ⑥ Any product which has the serial number defaced, altered or removed.
- ⑦ Any product which has been adjusted, altered or modified without Alpine's consent.
- ⑧ Any product not distributed by Alpine within the United States, Puerto Rico or Canada.
- ⑨ Any product not purchased from an Authorized Alpine Dealer.

### ● HOW TO OBTAIN WARRANTY SERVICE:

- ① You are responsible for delivery of the product to an Authorized Alpine Service Center or Alpine for repair and for payment of any initial shipping charges. Alpine will, at its option, repair or replace the product with a new or reconditioned product without charge. If the repairs are covered by the warranty, and if the product was shipped to an Authorized Alpine Service Center or Alpine, Alpine will pay the return shipping charges.
- ② You should provide a detailed description of the problem(s) for which service is required.

③ You must supply proof of your purchase of the product.

④ You must package the product securely to avoid damage during shipment. To prevent lost packages it is recommended to use a carrier that provides a tracking service.

### ● HOW WE LIMIT IMPLIED WARRANTIES:

ANY IMPLIED WARRANTIES INCLUDING FITNESS FOR USE AND MERCHANTABILITY ARE LIMITED IN DURATION TO THE PERIOD OF THE EXPRESS WARRANTY SET FORTH ABOVE AND NO PERSON IS AUTHORIZED TO ASSUME FOR ALPINE ANY OTHER LIABILITY IN CONNECTION WITH THE SALE OF THE PRODUCT.

### ● HOW WE EXCLUDE CERTAIN DAMAGES:

ALPINE EXPRESSLY DISCLAIMS LIABILITY FOR INCIDENTAL AND CONSEQUENTIAL DAMAGES CAUSED BY THE PRODUCT. THE TERM "INCIDENTAL DAMAGES" REFERS TO EXPENSES OF TRANSPORTING THE PRODUCT TO THE ALPINE SERVICE CENTER, LOSS OF THE ORIGINAL PURCHASER'S TIME, LOSS OF THE USE OF THE PRODUCT, BUS FARES, CAR RENTALS OR OTHERS COSTS RELATING TO THE CARE AND CUSTODY OF THE PRODUCT. THE TERM "CONSEQUENTIAL DAMAGES" REFERS TO THE COST OF REPAIRING OR REPLACING OTHER PROPERTY WHICH IS DAMAGED WHEN THIS PRODUCT DOES NOT WORK PROPERLY. THE REMEDIES PROVIDED UNDER THIS WARRANTY ARE EXCLUSIVE AND IN LIEU OF ALL OTHERS.

### ● HOW STATE/PROVINCIAL LAW RELATES TO THE WARRANTY:

This Warranty gives you specific legal rights, and you may also have other rights which vary from state to state and province to province. In addition, some states/provinces do not allow limitations on how long an implied warranty lasts, and some do not allow the exclusion or limitation of incidental or consequential damages. Accordingly, limitations as to these matters contained herein may not apply to you.

### ● IN CANADA ONLY:

This Warranty is not valid unless your Alpine car audio product has been installed in your vehicle by an Authorized Installation Center, and this warranty stamped upon installation by the installation center.

### ● HOW TO CONTACT CUSTOMER SERVICE:

Should the product require service, please call the following number for your nearest Authorized Alpine Service Center.

<b>CAR AUDIO</b>	<b>1-800-ALPINE-1 (1-800-257-4631)</b>
<b>NAVIGATION</b>	<b>1-888-NAV-HELP (1-888-628-4357)</b>

Or visit our website at; <http://www.alpine-usa.com>

**ALPINE ELECTRONICS OF AMERICA, INC.,** 19145 Gramercy Place, Torrance, California 90501, U.S.A.

**ALPINE ELECTRONICS OF CANADA, INC.,** 777 Supertest Road, Toronto, Ontario M3J 2M9, Canada

Do not send products to these addresses.

Call the toll free telephone number or visit the website to locate a service center.

Don't forget to take a moment to protect your purchase by registering your product now at the following address: [www.alpine-usa.com/registration](http://www.alpine-usa.com/registration).

N'oubliez pas de consacrer un moment à la protection de votre achat en enregistrant votre produit dès maintenant à l'adresse suivante : [www.alpine-usa.com/registration](http://www.alpine-usa.com/registration).

Recuerde que con solo unos pocos pasos podrá proteger su producto, registrándolo a través de la siguiente dirección: [www.alpine-usa.com/registration](http://www.alpine-usa.com/registration).