

ESOTERIC

C-02/C-03X

Linestage Preamplifier

OWNER'S MANUAL

IMPORTANT SAFETY PRECAUTIONS

CAUTION

RISK OF ELECTRIC SHOCK

DO NOT OPEN

CAUTION: TO REDUCE THE RISK OF ELECTRIC SHOCK, DO NOT REMOVE COVER (OR BACK). NO USER-SERVICEABLE PARTS INSIDE. REFER SERVICING TO QUALIFIED SERVICE PERSONNEL.

The lightning flash with arrowhead symbol, within an equilateral triangle, is intended to alert the user to the presence of uninsulated "dangerous voltage" within the product's enclosure that may be of sufficient magnitude to constitute a risk of electric shock to persons.

The exclamation point within an equilateral triangle is intended to alert the user to the presence of important operating and maintenance (servicing) instructions in the literature accompanying the appliance.

WARNING: TO PREVENT FIRE OR SHOCK HAZARD, DO NOT EXPOSE THIS APPLIANCE TO RAIN OR MOISTURE.

CAUTION

- DO NOT REMOVE THE EXTERNAL CASES OR CABINETS TO EXPOSE THE ELECTRONICS. NO USER SERVICEABLE PARTS ARE INSIDE.
- IF YOU ARE EXPERIENCING PROBLEMS WITH THIS PRODUCT, CONTACT TEAC FOR A SERVICE REFERRAL. DO NOT USE THE PRODUCT UNTIL IT HAS BEEN REPAIRED.
- USE OF CONTROLS OR ADJUSTMENTS OR PERFORMANCE OF PROCEDURES OTHER THAN THOSE SPECIFIED HEREIN MAY RESULT IN HAZARDOUS RADIATION EXPOSURE.

IN USA/CANADA, USE ONLY ON 120 V SUPPLY.

For U.S.A.

TO THE USER

This equipment has been tested and found to comply with the limits for a Class B digital device, pursuant to Part 15 of the FCC Rules. These limits are designed to provide reasonable protection against harmful interference in a residential installation. This equipment generates, uses, and can radiate radio frequency energy and, if not installed and used in accordance with the instructions, may cause harmful interference to radio communications. However, there is no guarantee that interference will not occur in a particular installation. If this equipment does cause harmful interference to radio or television reception, which can be determined by turning the equipment off and on, the user is encouraged to try to correct the interference by one or more of the following measures:

- Reorient or relocate the equipment and/or the receiving antenna.
- Increase the separation between the equipment and receiver.
- Connect the equipment into an outlet on a circuit different from that to which the receiver is connected.
- Consult the dealer or an experienced radio/TV technician for help.

CAUTION

Changes or modifications to this equipment not expressly approved by TEAC CORPORATION for compliance will void the user's warranty.

For Canada

Industry Canada's Compliance Statement:

This Class B digital apparatus complies with Canadian ICES-003.

Cet appareil numérique de la classe B est conforme à la norme NMB-003 du Canada.

China RoHS (电子信息产品污染控制管理办法)

- The information in the following table is only applicable to products for sale in the People's Republic of China.
- The products sold in the European area are manufactured in accordance with the European RoHS Directive.

产品有毒有害物质或元素的名称及含量

机种: C-02/C-03X		有毒有害物质或元素					
品名	铅 (Pb)	汞 (Hg)	镉 (Cd)	六价铬 (Cr (VI))	多溴联苯 (PBB)	多溴二苯醚 (PBDE)	
1 CHASSIS部份	×	○	○	○	○	○	
2 PANEL部份	○	○	○	○	○	○	
3 FOOT部份	○	○	○	○	○	○	
4 螺丝部份	○	○	○	○	○	○	
5 PCB Assy部份	×	○	○	○	○	○	
6 线材部份	○	○	○	○	○	○	
7 SEAL部份	○	○	○	○	○	○	
8 AC CORD部份	×	○	○	○	○	○	
9 附属品部份	○	○	○	○	○	○	
10 包装部份	○	○	○	○	○	○	

○: 表示该有毒有害物质在该部件所有均质材料中的含量均在 SJ/T11363-2006 标准规定的限量要求以下。

×: 表示该有毒有害物质至少在该部件的某一均质材料中的含量超出 SJ/T11363-2006 标准规定的限量要求。

(针对现在代替技术困难的电子部品及合金中的铅)

IMPORTANT SAFETY INSTRUCTIONS

⚠ Precautions concerning batteries

Misuse of batteries could cause them to rupture or leak leading to fire, injury or the staining of nearby things. Please read and observe the following precautions carefully.

- Be sure to insert the batteries with correct positive (⊕) and negative (⊖) orientations.
- Use batteries of the same type. Never use different types of batteries together.
- If the remote control is not used for a long time (more than a month), remove the batteries to prevent them from leaking.
- If the batteries leak, wipe away the leakage inside the battery compartment and replace the batteries with new ones.
- Do not use batteries of types other than those specified. Do not mix new batteries with old ones or use different types of batteries together.
- Do not heat or disassemble batteries. Never throw batteries into fire or water.
- Do not carry or store batteries with other metallic objects. The batteries could short circuit, leak or explode.
- Never recharge a battery unless it is confirmed to be a rechargeable type.

- 1) Read these instructions.
 - 2) Keep these instructions.
 - 3) Heed all warnings.
 - 4) Follow all instructions.
 - 5) Do not use this apparatus near water.
 - 6) Clean only with dry cloth.
 - 7) Do not block any ventilation openings. Install in accordance with the manufacturer's instructions.
 - 8) Do not install near any heat sources such as radiators, heat registers, stoves, or other apparatus (including amplifiers) that produce heat.
 - 9) Do not defeat the safety purpose of the polarized or grounding-type plug. A polarized plug has two blades with one wider than the other. A grounding type plug has two blades and a third grounding prong. The wide blade or the third prong are provided for your safety. If the provided plug does not fit into your outlet, consult an electrician for replacement of the obsolete outlet.
 - 10) Protect the power cord from being walked on or pinched particularly at plugs, convenience receptacles, and the point where they exit from the apparatus.
 - 11) Only use attachments/accessories specified by the manufacturer.
 - 12) Use only with the cart, stand, tripod, bracket, or table specified by the manufacturer, or sold with the apparatus. When a cart is used, use caution when moving the cart/apparatus combination to avoid injury from tip-over.
 - 13) Unplug this apparatus during lightning storms or when unused for long periods of time.
 - 14) Refer all servicing to qualified service personnel. Servicing is required when the apparatus has been damaged in any way, such as power-supply cord or plug is damaged, liquid has been spilled or objects have fallen into the apparatus, the apparatus has been exposed to rain or moisture, does not operate normally, or has been dropped.
- The apparatus draws nominal non-operating power from the AC outlet with its POWER or STANDBY/ON switch not in the ON position.
 - The mains plug is used as the disconnect device, the disconnect device shall remain readily operable.
 - Caution should be taken when using earphones or headphones with the product because excessive sound pressure (volume) from earphones or headphones can cause hearing loss.



CAUTION

- Do not expose this apparatus to drips or splashes.
- Do not place any objects filled with liquids, such as vases, on the apparatus.
- Do not install this apparatus in a confined space such as a book case or similar unit.
- The apparatus should be located close enough to the AC outlet so that you can easily reach the power cord plug at any time.
- If the product uses batteries (including a battery pack or installed batteries), they should not be exposed to sunshine, fire or excessive heat.
- CAUTION for products that use replaceable lithium batteries: there is danger of explosion if a battery is replaced with an incorrect type of battery. Replace only with the same or equivalent type.

WARNING

Products with Class I construction are equipped with a power supply cord that has a grounding plug. The cord of such a product must be plugged into an AC outlet that has a protective grounding connection.


ESOTERIC is a trademark of TEAC CORPORATION, registered in the U.S. and other countries.

MEXCEL is a registered trademark of Mitsubishi Cable Industries, Ltd. in Japan and other countries.


Other company names, product names and logos in this document are the trademarks or registered trademarks of their respective owners.

For European Customers

Disposal of electrical and electronic equipment

- (a) All electrical and electronic equipment should be disposed of separately from the municipal waste stream via collection facilities designated by the government or local authorities.
- (b) By disposing of electrical and electronic equipment correctly, you will help save valuable resources and prevent any potential negative effects on human health and the environment.
- (c) Improper disposal of waste electrical and electronic equipment can have serious effects on the environment and human health because of the presence of hazardous substances in the equipment.
- (d) The Waste Electrical and Electronic Equipment (WEEE) symbol, which shows a wheeled bin that has been crossed out, indicates that electrical and electronic equipment must be collected and disposed of separately from household waste. 
- (e) Return and collection systems are available to end users. For more detailed information about the disposal of old electrical and electronic equipment, please contact your city office, waste disposal service or the shop where you purchased the equipment.

Disposal of batteries and/or accumulators

- (a) Waste batteries and/or accumulators should be disposed of separately from the municipal waste stream via collection facilities designated by the government or local authorities.
- (b) By disposing of waste batteries and/or accumulators correctly, you will help save valuable resources and prevent any potential negative effects on human health and the environment.
- (c) Improper disposal of waste batteries and/or accumulators can have serious effects on the environment and human health because of the presence of hazardous substances in them.
- (d) The WEEE symbol, which shows a wheeled bin that has been crossed out, indicates that batteries and/or accumulators must be collected and disposed of separately from household waste. 
Pb, Hg, Cd
If a battery or accumulator contains more than the specified values of lead (Pb), mercury (Hg), and/or cadmium (Cd) as defined in the Battery Directive (2006/66/EC), then the chemical symbols for those elements will be indicated beneath the WEEE symbol.
- (e) Return and collection systems are available to end users. For more detailed information about the disposal of waste batteries and/or accumulators, please contact your city office, waste disposal service or the shop where you purchased them.

Thank you for choosing Esoteric. Read this manual carefully to get the best performance from this unit.

Before use	6
Connections	8
Names and functions of parts (main unit)	10
Remote control	11
Names and functions of parts (remote control)	12
Basic operation	13
Balance and input level settings	15
Additional settings	17
Troubleshooting	21
Specifications	22
Rear panel	23

Check to be sure the box includes all the supplied accessories shown below.

Please contact the store where you purchased this unit if any of these accessories are missing or have been damaged during transportation.

Power cord × 1

Remote control (RC-1156) × 1

Batteries for remote control (AA) × 2

Felts × 4 (C-02)

Felts × 3 (C-03X)

Owner's manual (this document) × 1

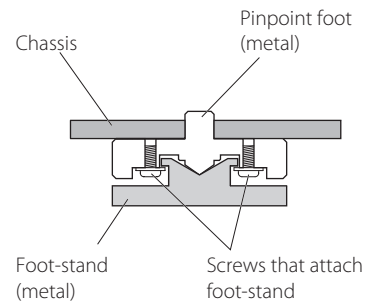
- Keep this manual in a safe place for future reference.

Warranty card × 1

Note about pinpoint feet

High-precision metal pinpoint feet are attached firmly to the bottom plate of this unit.

The stands for these feet are loose, but when the unit is placed, it is supported by these pinpoint feet, which will effectively disperse vibrations.



- This unit is very heavy, so take care to avoid injury during installation.
- Apply the included felt to the bottom of the foot-stands to avoid scratching the surface where the unit is placed.

CAUTION

- Avoid placing the unit in direct sunlight or close to any source of heat, such as a radiator, heater, open fireplace or amplifier. Also avoid locations that are subject to vibrations or exposed to excessive dust, cold or moisture.
- Place the unit in a stable location near the audio system that you will use with it.
- Do not move the unit during use.
- Be careful to avoid injury when moving the unit due to its weight. Have someone help you move it if necessary.
- The voltage supplied to the unit should match the voltage printed on the rear panel. If you are in any doubt regarding this matter, consult an electrician.
- Since the unit could become warm during operation, always leave sufficient space around it for ventilation. When placing this unit, position it so that it is at least 20 cm (8") from walls and other devices in order to allow good heat dissipation. When installing it in a rack, leave at least 15 cm (6") open above the unit and 10 cm (4") open behind it. DO NOT place anything, not even CDs, CD-Rs, LP records or cassette tapes, on top of the unit.
- Do not open the body of the unit as this might result in damage to the circuitry or cause electric shock. If a foreign object should get into the unit, contact your dealer or TEAC customer support.
- When removing the power plug from the wall outlet, always pull directly on the plug; never yank on the cord.
- Depending on the electromagnetic waves of television broadcasts, interference might appear on television screens when this unit is on. This does not mean that this unit or the TV is malfunctioning. If this occurs, turn this unit off.

Maintenance

If the surface of the unit gets dirty, wipe with a dry soft cloth. If it becomes very dirty, dampen a soft cloth slightly with a diluted neutral cleanser and remove any excess fluid from the cloth thoroughly before wiping the unit.

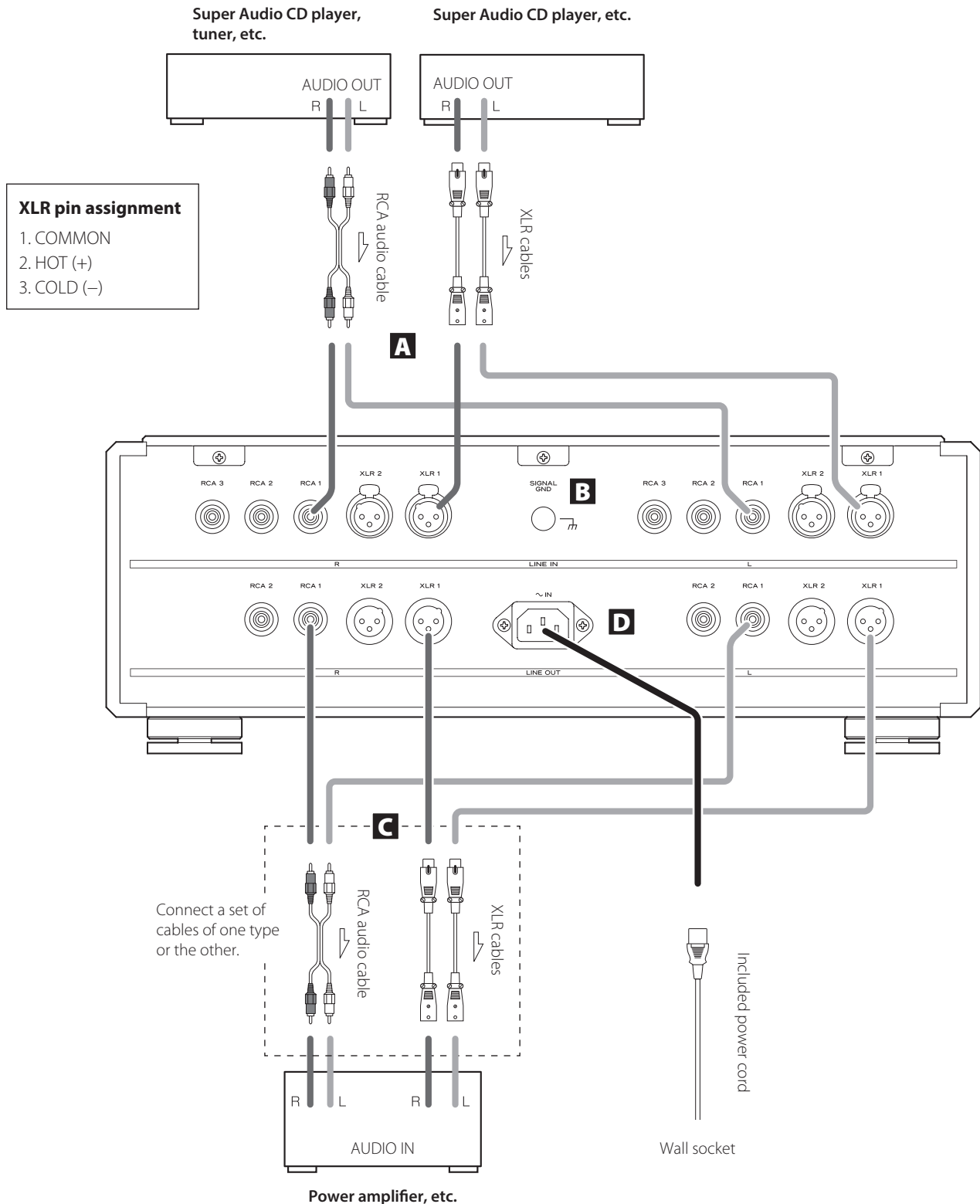
⚠ For safety, disconnect the power cord from the socket before cleaning.

- Never spray liquid directly on this unit.
- Do not use thinner or alcohol as they could damage the surface of the unit.
- Avoid allowing rubber or plastic materials to touch this product for long periods of time, because they could damage the cabinet.

Precautions when making connections

- Complete all other connections before connecting power plugs to power outlets.
- Read the owner's manuals of all devices that will be connected, and follow their instructions.
- Do not bundle connecting cables with power cords. Doing so could cause noise.

This illustration is of the C-02.



A Analog input connectors [LINE IN]

Connect the analog outputs of Super Audio CD players, DVD players, cassette decks, tuners and other audiovisual equipment to these.

Connect the R connector of a pair on this unit to the right (R) connector of an output device and the L connector of the same pair on this unit to the left (L) connector of the output device.

Use commercially available cables for connections.

For XLR connectors: Use a balanced XLR audio cable. Insert a balanced XLR plug until the connector lever locks. Press this lever when disconnecting.

For RCA jacks: Use an RCA audio cable. Connect the audio cable's white pin plug to the white (L) jack and its red pin plug to the red (R) jack.

- The XLR input connectors can be switched to 3 HOT (+) (page 16).
- This unit does not have a built-in phono equalizer, so record players cannot be connected to it directly. To connect a record player, use a phono equalizer or other unit between it and this unit.

B Grounding connector [SIGNAL GND]

By using a commercially-available insulated wire to create a grounding connection with a Super Audio CD player, power amplifier or other equipment, the audio quality might be improved.

- This is NOT an electrical safety ground.

C Analog output connectors [LINE OUT]

Output two channels of analog audio signals. Connect to the analog inputs of a powered amplifier or other equipment.

Connect the R connector of a pair on this unit to the right (R) connector of an input device and the L connector of the same pair on this unit to the left (L) connector of the input device.

Use commercially available cables for connections.

For XLR connectors: Use a balanced XLR audio cable. Insert a balanced XLR plug into the connector until it locks.

For RCA jacks: Use an RCA audio cable. Connect the audio cable's white pin plug to the white (L) jack and its red pin plug to the red (R) jack.

D AC power inlet

Connect the included power cord to this socket. After completing all other connections, plug the power plug into the power outlet.

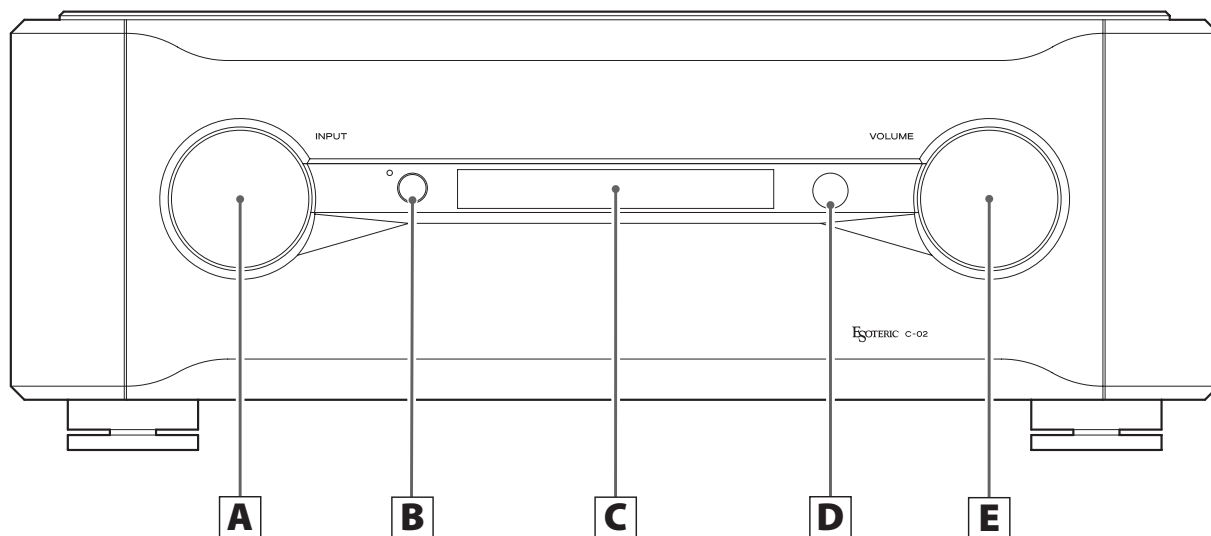
- ⚠ **Use only the supplied Esoteric power cord. Use of other power cords could result in fire or electric shock. Unplug the power cord from the outlet when you are not planning to use the unit for an extended period of time.**

At Esoteric, we use **Esoteric MEXCEL stressfree** cables for reference. For detailed information, access the following website.

<http://www.esoteric.jp/products/esoteric/accessory/indexe.html>

Names and functions of parts (main unit)

This illustration is of the C-02.



A INPUT knob

Turn this knob to select the active input. Select the input that is connected to the device you want to use.

- You can change the names that are shown on the display for the connectors, as well as set the unit to skip them (page 20).

B POWER button

Press this button to turn the unit on or off.
The blue indicator lights when the unit is turned on.

- Turn the unit off when not using it.
- To protect your speakers, follow the proper procedures when you turn the unit on or off (pages 13 and 14).

C Display

Shows the current input source name, volume, setting items, etc.

D Remote control signal receiver

Signals sent from remote controls are received here. When using a remote, point it toward this spot (page 11).

E VOLUME knob

Turn this knob clockwise to increase the volume and counter-clockwise to decrease it.

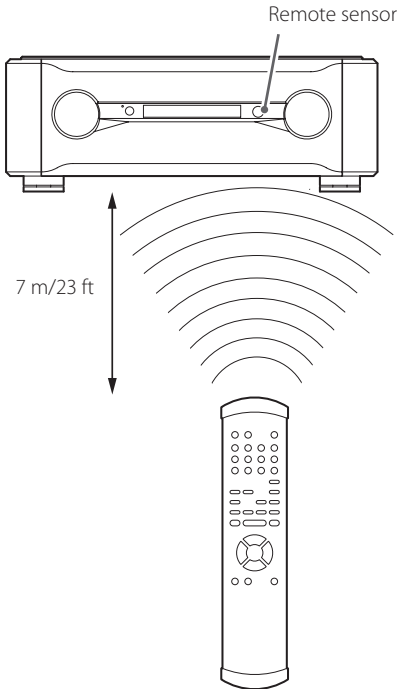
- If you set the RCA 2 input jacks to "THRU", the VOLUME knob will not work when the input is set to RCA2 (page 19).

⚠ Always turn the volume to the minimum level before you turn the unit on or off. Failure to do so could cause sudden loud noises that might result in harm to your hearing or damage to the speakers when you turn the unit on.

Remote control

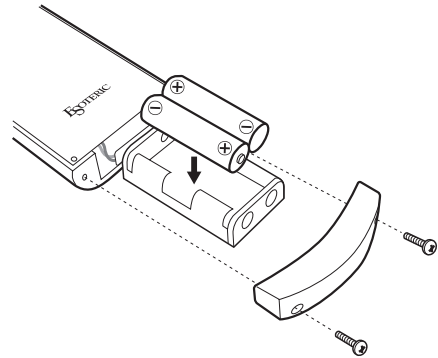
The included remote control allows you to operate this unit from a distance.

Point the remote control at the main unit's remote sensor from a distance of 7 meters (23 feet) or less.



- Depending on the angle, reception might be difficult. Use the remote control from directly in front of the unit as much as possible.
- Even if the remote control is used within its effective range, control of the main unit might be impossible if there are any obstructions between them.
- If direct sunlight or strong artificial illumination shines on the remote sensor, the remote control might not function.
- If the remote control is operated near other devices that generate infrared rays, or if other remote controls that use infrared rays are operated near the unit, this unit or the other devices might operate incorrectly.

Battery installation



Remove the cover from the back of the remote control and insert two AA batteries with their \oplus/\ominus ends oriented as shown in the case. Replace the cover.

Battery replacement

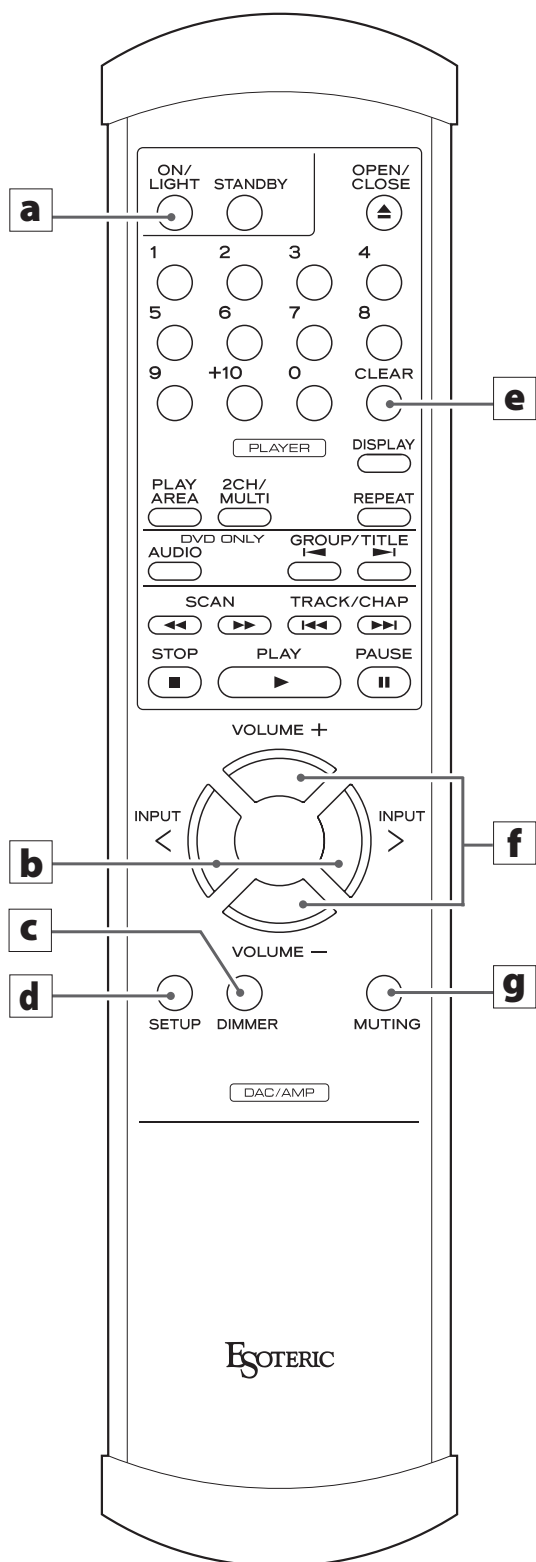
If the operating range decreases or the main unit does not respond when buttons are pressed on the remote control, replace both batteries with new ones.

For more information about the collection of batteries, please contact your local government, your waste disposal service or the point of sale where you purchased the batteries.

Precautions concerning batteries

⚠ Misuse of batteries could cause them to rupture or leak leading to fire, injury or the staining of items nearby. Please carefully read and observe the precautions on page 4.

Names and functions of parts (remote control)



If both the main unit and the remote control have buttons with the same function, we only explain procedures using one of them in this manual. However, the other can also be used in the same manner.

- The buttons not explained here do not function with this unit.
- This remote control can also be used for other Esoteric Super Audio CD/CD players and D/A converters.

a ON/LIGHT button

Use to confirm selection of some of the settings explained in "Additional settings" (page 17). You can also assign a name to a connector using this button (pages 17-20).

- You cannot turn the unit on or off using this button.

b INPUT buttons (</>)

Press these buttons to switch between input sources. Select the connector that is connected to the device you want to play. Use to select settings for "Balance and input level settings" (page 15) and "Additional settings" (page 17). Use as cursor keys when entering an input source name.

c DIMMER button

Use to adjust the brightness of the display and indicators (page 14).

d SETUP button

Use with "Balance and input level settings" and "Additional settings" (pages 15 and 17).

e CLEAR button

Press to cancel a selection when choosing a setting (pages 15 and 17).

f VOLUME buttons (+/-)

Use to adjust the volume. Press the + button to increase the volume and the - button to decrease it.

- If you set the RCA 2 input jacks to "THRU", the VOLUME buttons will not work when the input is set to RCA2 (page 19).

g MUTING button

Press this button to temporarily mute the sound. Press again to restore the volume setting (page 14).

- When muted, "MUTE" and the ordinary display are shown alternately.

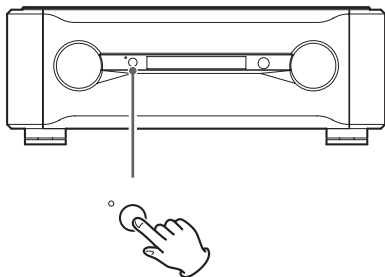
Basic operation (1)

These illustrations are of the C-02.

Turning the unit on

1 Turn on the connected input source devices.

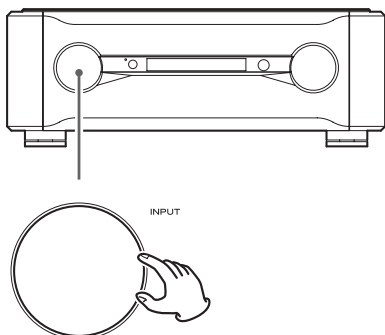
2 Press the **POWER** button to turn the unit on.



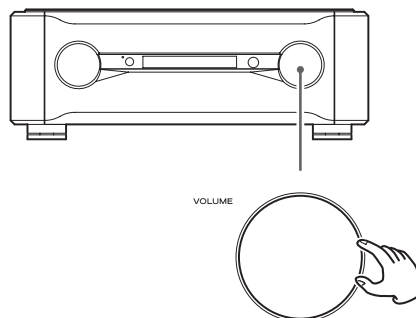
The indicator lights blue.

- Turn on the power amplifier after turning on this unit.

3 Turn the **INPUT** knob to select an input source.



4 Play the source, and then adjust the volume by turning the **VOLUME** knob.



⚠ Sudden loud noises might cause hearing damage and other trouble. Always minimize the volume before starting playback, and adjust it to an appropriate level after playback begins.

Basic operation (2)

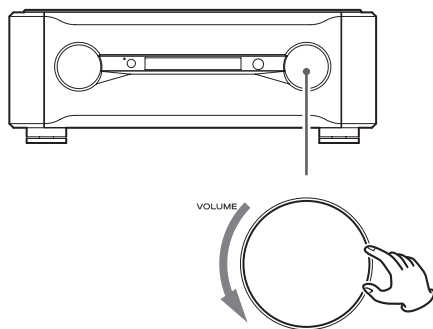
Turning the unit off

There might be noise from the speakers if the unit is turned off suddenly. When you turn the unit off, follow the steps below.

1 If a connected device is playing back, stop playback.

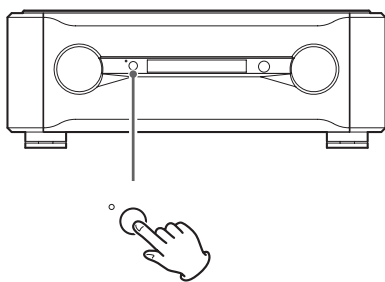
- Turn off the power amplifier first.

2 Turn the unit's **VOLUME** knob counterclockwise to minimize the volume.



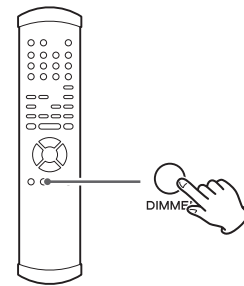
⚠ Always turn the volume to the minimum level before you turn the unit on or off. Failure to do so could cause sudden loud noises that might result in harm to your hearing or damage to the speakers when you turn the unit on.

3 Press the **POWER** button to turn the unit off.

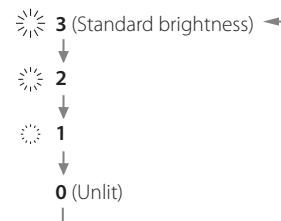


4 Turn off the connected input source devices.

Using the dimmer

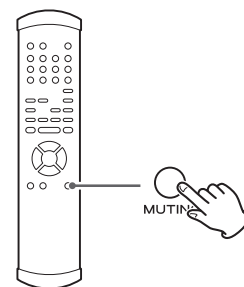


Each time you press the DIMMER button, the brightness of the display and indicators change as follows.



- Even when set to 0 (unlit), the display will light at standard brightness for a few seconds when you press a button or turn a knob.
- In setting mode, the display lights at standard brightness.

Muting the output



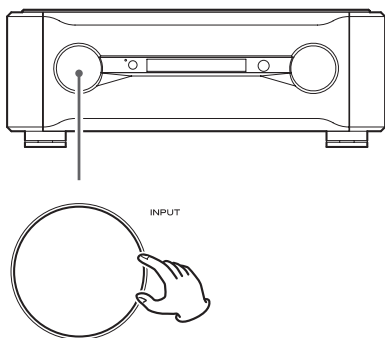
Press the remote control MUTING button to temporarily mute the sound. Press again to restore the previous volume setting.

- While the sound is muted, "MUTE" and the selected input connector name appear alternately on the display.
- You can also restore the sound by turning the VOLUME knob or by pressing the VOLUME buttons (+/-).

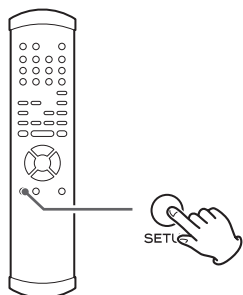
Balance and input level settings (1)

You can set the left and right balance, output level and phase inversion. You can set these independently for each of the inputs.

1 Turn the INPUT knob to select the input source you want to set.



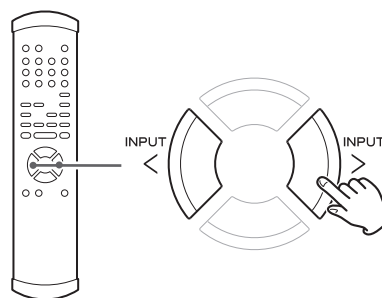
2 Press the SETUP button repeatedly to select the setting item you want to change.



Each time you press the SETUP button, the display changes.

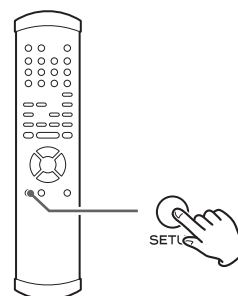
- To exit setting mode and return to the ordinary display, do nothing for at least 10 seconds or press the CLEAR button.

3 Press the INPUT buttons (</>) to change the setting.



4 Press the SETUP button repeatedly until the display resumes showing its usual contents.

Setting mode ends when the usual contents are shown.



If you press the CLEAR button or do not press any buttons for 10 or more seconds, it will also exit setting mode and the display will resume showing its usual contents.

- These settings will be retained even if the power cord is disconnected.

Balance and input level settings (2)

Left and right balance setting

(Bal>***)

Adjust the balance between the left and right output channels. You can set this to values between L 6.0 dB and R 6.0 dB in 0.5 dB increments. You can also set this so that just one channel is muted. The default value is 0.0 dB (no balance adjustment).

Muting just one channel

Press the > button to select "Bal>R only" to output only the right channel.

Likewise, press the < button to select "Bal>L only" to output only the left channel.

Adjusting the output level

(Level>***)

You can adjust the output level for the selected input. You can set this to values between -18.0 dB and +18.0 dB in 0.5 dB increments. The default value is 0.0 dB.

- If the total of the output level and volume settings exceed 0dB, the output level indication will blink. Lower the output level or volume until it stops blinking.

Note about these settings and sound quality

The left-right balance and output level settings are related to the volume. This unit's microcomputer analyzes these settings and the volume level value comprehensively to conduct unified control of volume amplification.

For this reason, unlike ordinary amplifiers that pass audio signals through multiple circuits, these settings will not degrade the audio quality.

Phase inversion

(Invert>***)

This can be used to reverse the phase of the audio signal output. For example, if the XLR output of a device that sends a signal to this unit's input is 2 HOT, but the XLR input of the device that receives the signal output from this device is 3 HOT, set this to ON. By default, this is set to OFF.

OFF

No phase inversion

ON

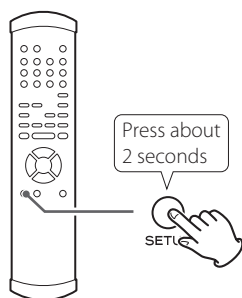
Phase inversion enabled

Additional settings (1)

You can also make the following settings and restore factory defaults.

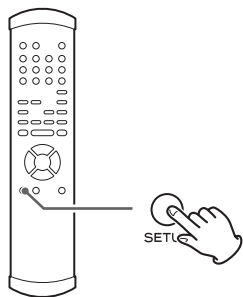
Volume display
Volume curve
Output
Through (RCA2)
Illumination
Input source name
Automatic display (FL) off

1 Press and hold the SETUP button for about 2 seconds.



"Display>***" appears on the display and the unit enters setting mode.

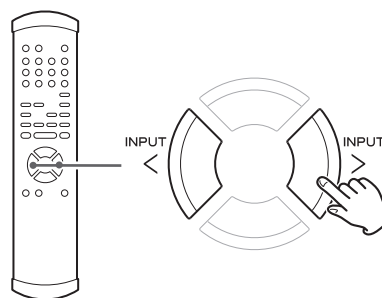
2 Press the SETUP button repeatedly to select the setting item you want to change.



Each time you press the SETUP button, the display changes.

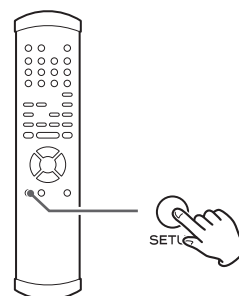
- To exit setting mode and return to the ordinary display, do nothing for at least 10 seconds or press the CLEAR button.

3 Press the INPUT buttons (</>) to change the setting.



4 Press the SETUP button repeatedly until the display resumes showing its usual contents.

Setting mode ends when the usual contents are shown.



If you press the CLEAR button or do not press any buttons for 10 or more seconds, it will also exit setting mode and the display will resume showing its usual contents.

- These settings will be retained even if the power cord is disconnected.

Additional settings (2)

Volume display setting

(Disp>***)

You can set how the volume level is shown.
The default setting is "Step".

Step

The volume is shown in steps (0 to 99).

dB

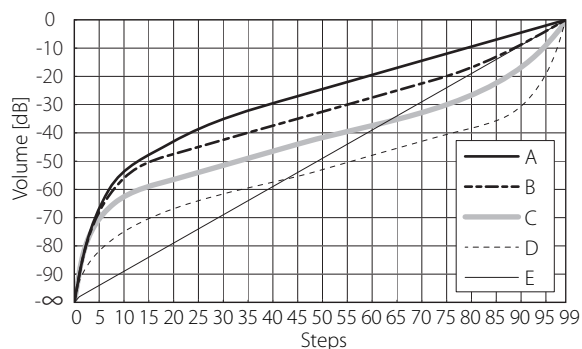
The volume is shown in decibels ($-\infty$ to 0.0 dB).
"---" is displayed when no sound ($-\infty$ dB) is output.

Volume curve setting

(VolTable>***)

With this unit, the volume level can be adjusted from $-\infty$ to 0 dB. This range is divided into 100 steps (called the "volume curve") from 0 to 99.

You can select from the 5 different volume curves (A, B, C, D and E) shown below. The default setting is "A".



- When you change the volume curve setting, the volume will be minimized.

Output setting

(Out>***)

You can set which connectors output audio.
The default setting is "BOTH".

XLR

Sound is output from the XLR 1/XLR 2 connectors.

RCA

Sound is output from the RCA 1/RCA 2 jacks.

BOTH

Sound is output from both the XLR 1/XLR 2 connectors and RCA 1/RCA 2 jacks.

Through (RCA2)

(RCA2>***)

You can select whether to use the RCA 2 jacks as normal input connectors or as signal through connectors.

The default setting is "NML".

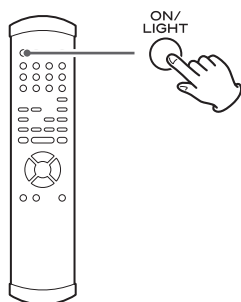
NML (normal)

Select this to use the RCA 2 jacks as normal input connectors.

THRU (through)

The volume level adjusted using the VOLUME knob is ignored when this setting is selected. Sound signals passing through the RCA 2 jacks are output as they are. (No gain adjustment is made by the preamplifier.)

After selecting "THRU", press the ON/LIGHT button to activate the setting.



"THRU" appears on the display instead of the volume level set by using the VOLUME knob.

For example, if you connect the pre-out jacks (FRONT L/R) of an AV amplifier to this unit's RCA 2 jacks, and set RCA2 to "THRU", you can also use the speakers connected through this unit as the front speakers of the AV amplifier. (When set to "RCA2", the AV amplifier controls volume adjustment.)

● **If the RCA 2 input jacks are set to THRU, the VOLUME knob has no effect when signals are being input via the RCA 2 jacks.**

⚠ **Since this unit's VOLUME knob will not function when set to "THRU", be careful if you connect a device that does not have a volume control to the RCA 2 inputs. When you change the input source to RCA2, very loud sounds could be output suddenly, resulting in harm to your hearing and damage to the speakers.**

When connecting a device that does not have a volume control to the RCA 2 inputs and setting RCA2 to "THRU", always connect a device that has a volume control to this unit's analog output connectors (LINE OUT). Use that device to minimize the volume before switching the input source to RCA2, and then gradually raise the volume level.

Illumination

(Light>***)

You can set whether or not the tops of the knobs light. The default setting is ON.

OFF

The tops of the knobs do not light.

ON

When the knobs are operated, their tops light.

Input source name setting

XLR1=

XLR2=

RCA1=

RCA2=

RCA3=

You can change the names shown on the display for the unit's connectors when you change the input source. You can set the names as you like (up to five characters).

You can also set the unit to skip connectors that do not have connected devices when you change the input source.

For example, when a Super Audio CD player is connected to the RCA 2 jacks and a DVD player is connected to the RCA 3 jacks, the RCA 2 and RCA 3 jacks can be set to "SACD" and "DVD" respectively while the other connectors can be set to "*skip". When you change the input source, only "SACD" and "DVD" will be selected, making it easier to select only the connectors you want to use.

Use the INPUT (</>) buttons to select the connector name.

Connector name options: CD, DAC, SACD, DVD, CD-R, DVD-R, TAPE, MD, TUNER, PC, MP3, AUX, TV, VIDEO, VCR, *skip, (editable)

- The skip function will not work when all connectors are set to "*skip".

Creating your own input connector name

1. When the input connector name (XLR1, XLR2, RCA1, RCA2 or RCA3) and "=" are shown, press the INPUT (</>) buttons repeatedly until the editable screen appears (default setting: "■ ■ ■ ■ ■").

2. Press the ON/LIGHT button.

3. Enter the characters.

Press the INPUT (</>) buttons to move the cursor.
Press the VOLUME (+/-) buttons to select characters.

4. When you have finished entering the characters, press the ON/LIGHT button to confirm the selection.

- While entering the name, the volume and input cannot be changed.
- Available characters
English letters: A-Z, a-z
Numbers: 0-9
Symbols: ! " # \$ % & ' () * + , - . / : ; < = > ? @ ■ (blank)

Automatic display backlight (FL) off setting

(FLaOFF>*)**

You can set the display backlight to automatically turn off if no operation is conducted for a certain amount of time. The default setting is "30m".

15m

If no operation is conducted for 15 minutes, the display automatically turns off.

30m

If no operation is conducted for 30 minutes, the display automatically turns off.

60m

If no operation is conducted for 60 minutes, the display automatically turns off.

OFF

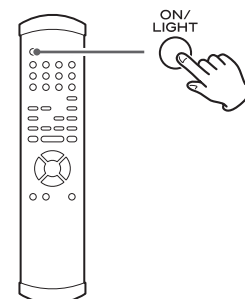
The display never turns off automatically.

- If the display backlight (FL) is left ON with the same indication for a long time, brightness irregularities might occur. For this reason, we recommend that you enable the automatic display backlight off function.

Restoring factory settings

(Setup>*)**

You can restore the factory default settings, erasing all changes in memory. Press an INPUT (</>) button until "CLR" blinks, then press the ON/LIGHT button to execute the restoration of factory default settings.



Troubleshooting

If you experience a problem with this unit, please take a moment to review the following information before requesting service. Moreover, be aware that the problem might be caused by something other than this unit. Confirm that connected devices are also being used correctly.

If this unit still does not operate correctly, contact the retailer where you purchased the unit or TEAC customer support (see the back cover for contact information).

The unit does not turn on.

- ➔ Check that the power cord is plugged into a working power outlet.
- ➔ Check that the power cord is properly connected to this unit.

Remote control does not work.

- ➔ Turn the main unit on (page 13).
- ➔ If the batteries are exhausted, replace both of them with new ones (page 11).
- ➔ The remote control will not work if there are obstructions between it and the main unit. Point the remote control toward the main unit and use it within 7 m (23 ft) of the front panel (page 11).

A television or other device is operating improperly.

- ➔ This unit's remote control might cause some televisions with remote control functions to operate improperly.

Cannot select input.

- ➔ Make sure the input source is not set to be skipped (page 20).

VOLUME knob does not work.

- ➔ When you set the RCA 2 input jacks to "THRU", the VOLUME knob will not work if the RCA 2 input is the active input (page 19).

Volume display blinks.

- ➔ The volume value exceeds the maximum total gain of this unit. Lower the volume until the display stops blinking.

Since this unit uses a microcontroller, external noise and other interference can cause the unit to malfunction. If this occurs, turn the unit off once, and then restart it after waiting for about one minute.

Specifications

Analog audio inputs

Connectors	RCA × 3 pairs (RCA 2 can be used as an AV pre-input) XLR × 2 pairs
Input impedance	LINE: 10 kΩ
Input sensitivity	At rated output: 510 mV At 800 mV output: 200 mV
Maximum input level	12 V

Analog audio outputs

Connectors	RCA × 2 pairs XLR × 2 pairs
Output impedance	RCA 47 Ω XLR 100 Ω
Total harmonic distortion	0.0006% (RCA) 0.0004% (XLR)
Frequency response	1 Hz – 200 kHz (–3 dB) 3 Hz – 50 kHz (–0.2 dB)
Signal-to-noise ratio (S/N)	116 dB (2 V input, A-weight)
Gain	+12 dB
Rated output	2 V
Maximum output level	7.5 V (RCA output, 1 kHz, 0.003%) 15 V (XLR output, 1 kHz, 0.003%)

General

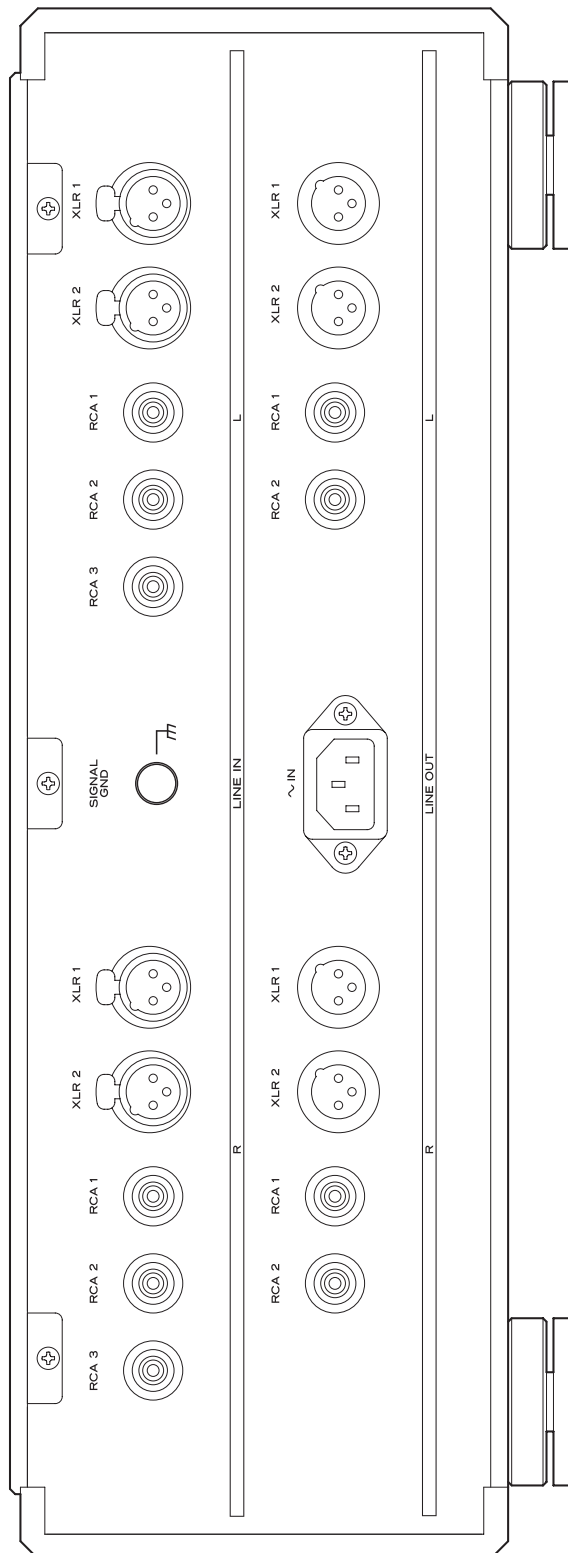
Power supply	
Model for Hong Kong	AC 230 V, 50 Hz
Model for USA/Canada	AC 120 V, 60 Hz
Model for Korea	AC 220 V, 60 Hz
Power consumption	
C-02	21 W
C-03X	18 W
External dimensions (W × H × D) (including protrusions)	
C-02	445 × 162 × 457 mm (17 5/8" × 6 1/2" × 18")
C-03X	445 × 131 × 378 mm (17 5/8" × 5 1/4" × 15")
Weight	
C-02	32 kg (70 5/8 lb)
C-03X	22 kg (48 5/8 lb)
Operating temperature	+5° C to +35° C

Included accessories

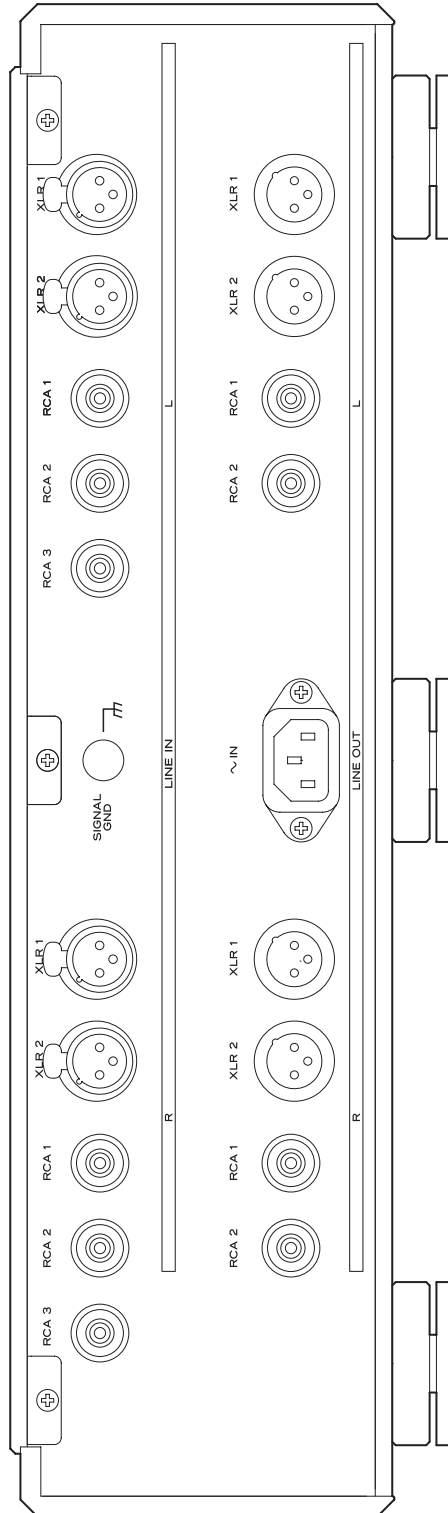
Power cord	× 1
Remote control (RC-1156)	× 1
Batteries for remote control (AA)	× 2
Felts	× 4 (C-02)
Felts	× 3 (C-03X)
Owner's manual (this document)	× 1
Warranty card	× 1

- Specifications and appearance are subject to change without notice.
- Weight and dimensions are approximate.
- Illustrations in this Owner's Manual might differ slightly from production models.

C-02



C-03X



ESOTERIC

TEAC CORPORATION	1-47 Ochiai, Tama-shi, Tokyo 206-8530, Japan	Phone: +81-42-356-9156	e-mail: eso-os@tec.teac.co.jp
TEAC AMERICA, INC.	7733 Telegraph Road, Montebello, California 90640 U.S.A.	Phone: +1-323-726-0303	e-mail: esoteric_info@teac.com
TEAC MEXICO, S.A. de C.V.	Río Churubusco 364, Colonia Del Carmen, Delegación Coyoacán, CP 04100, México DF, México	Phone: +52-55-5010-6000	
TEAC AUDIO EUROPE	Liegnitzer Straße 6, 82194 Gröbenzell, Germany	Phone: +49-8142-4208-141	

This appliance has a serial number located on the rear panel. Please record the serial number and retain it for your records.

Model name: C-02/C-03X

Serial number

0313·MA-1914B